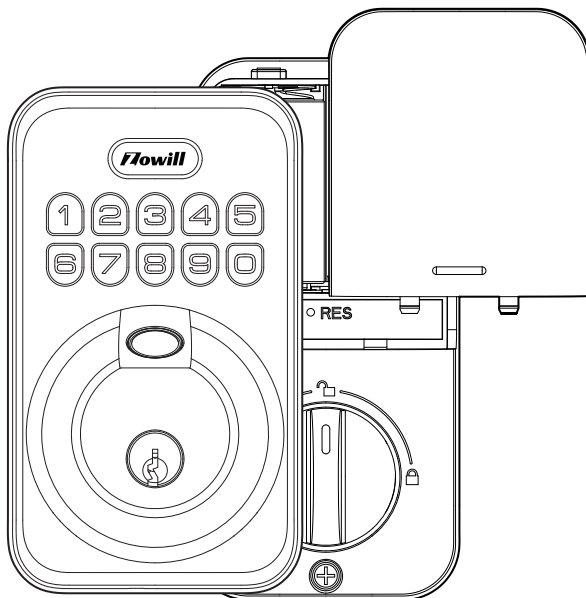


# ***Flowill***

## Installation Instructions

DK02A





Before Installing the Lock, Check  
Door Jamb and Door Preparation

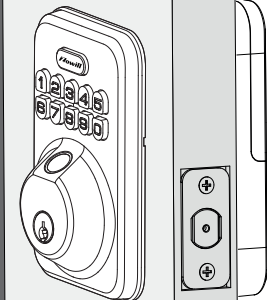


Door thickness:  
1-3/8" to 2"  
(35mm to 50mm)

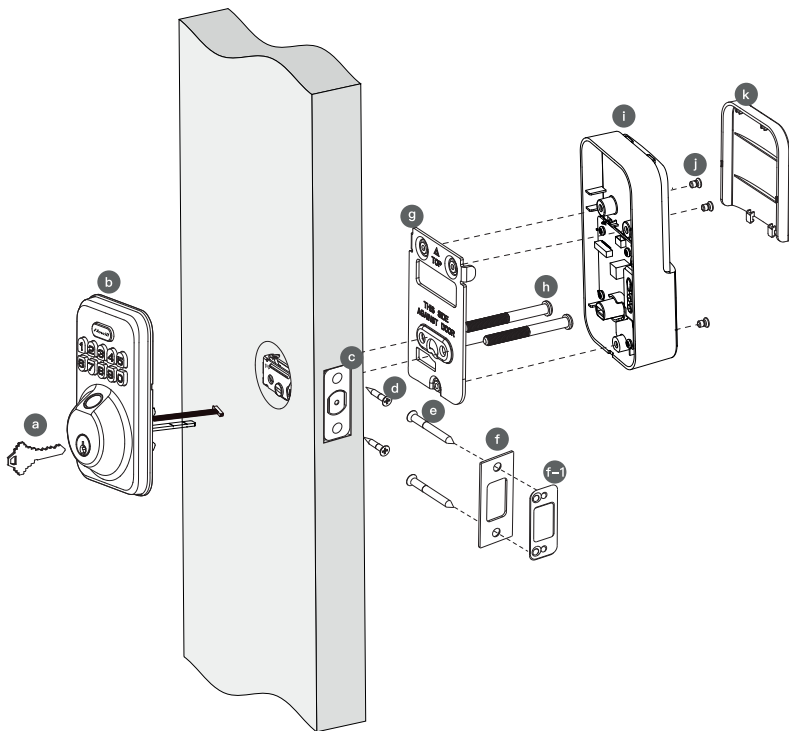
Backset:  
2-3/8" or 2-3/4"  
(60mm or 70mm )

2-1/8" (54mm)

1" (25mm)



## Parts List:



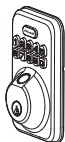
The details of part identification is shown on page 5.

# Parts identification



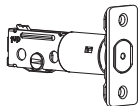
a

Backup Key



b

Exterior Assembly



c

Latch



Latch Screws

d

f

f-1

g



Strike Screws

e

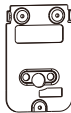


Strike



(optional)

Reinforcement plate



Mounting Plate



(35mm < door thickness < 50mm)  
Mounting Screws

h



i

Interior Assembly



j

Screws



k

Battery Cover



l

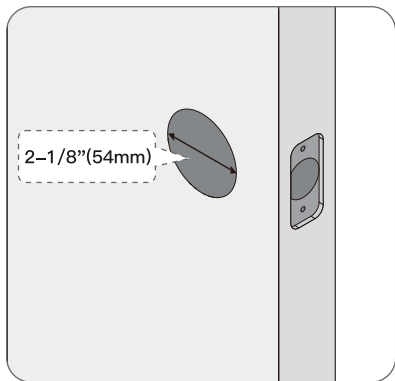
Drive In Collar



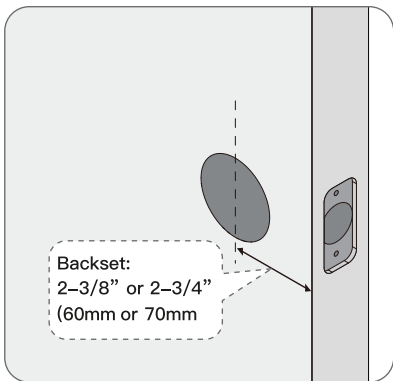
m

Reset Tool

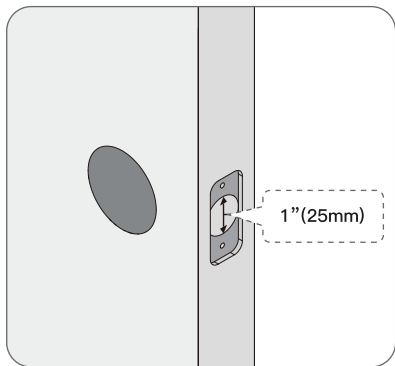
# 1. Prepare the door and check dimensions



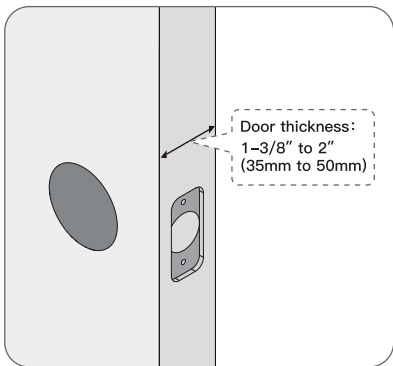
Measure to confirm that the hole in the door is 2-1/8\"(54mm).



Measure to confirm that the backset is either 2-3/8\" or 2-3/4\" (60mm or 70mm).

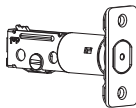
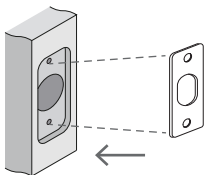


Measure to confirm that the hole in the door is 1\"(25mm).

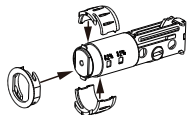
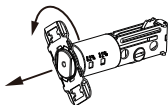
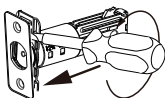
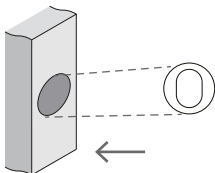


Measure to confirm that door thickness is between 1-3/8\" to 2\" (35mm to 50mm).

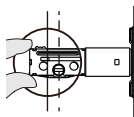
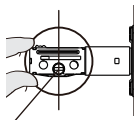
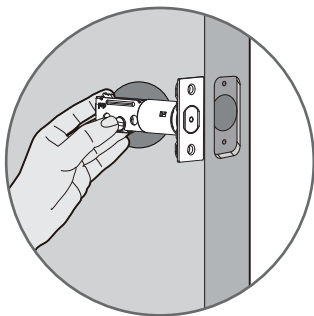
## 2. Choose faceplate



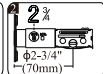
OR



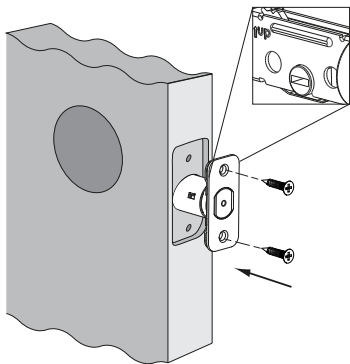
Is the slotted hole centered in the door hole?



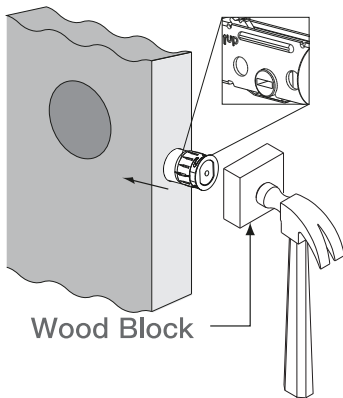
Rotate and pull the latch as shown to extend latch.



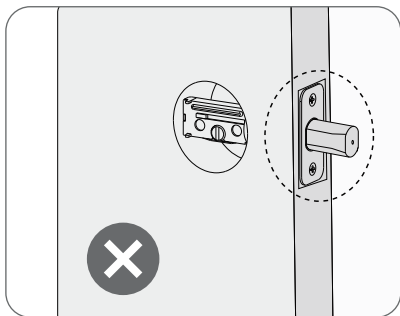
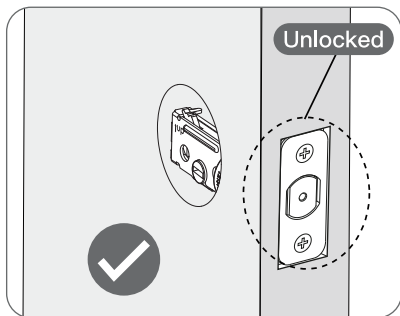
### 3. Install latch and deadbolt



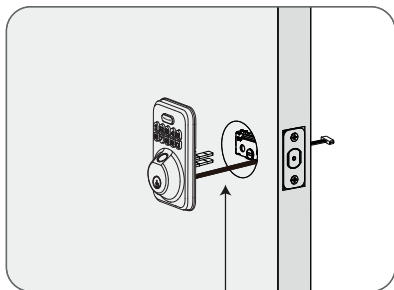
OR



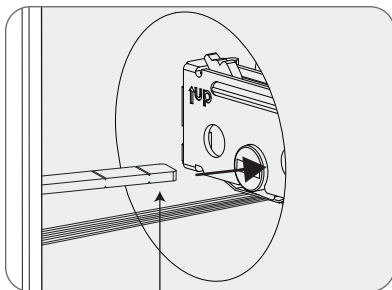
**IMPORTANT:** Keep the latch in unlocked position before installation.



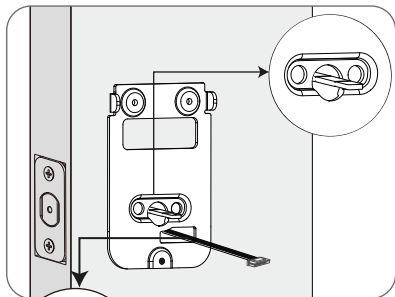
## 4. Install exterior assembly



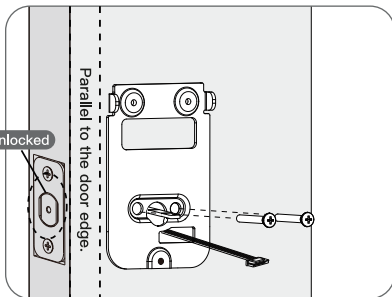
Route the cable below the latch.



**IMPORTANT:** Bolt must be in unlock position.  
Note horizontal orientation of torque blade.



Route the cable through the hole in the mounting plate.

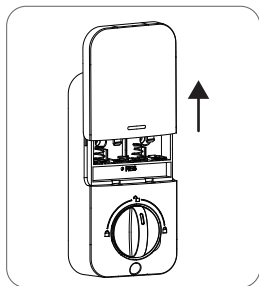


Secure the mounting plate with the supplied screws.

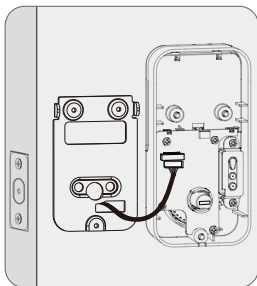
## 5. Install interior assembly



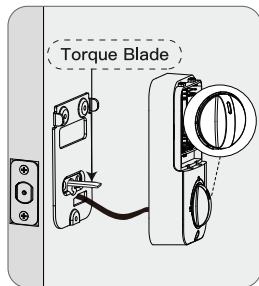
Do not load batteries until lock is completely installed.



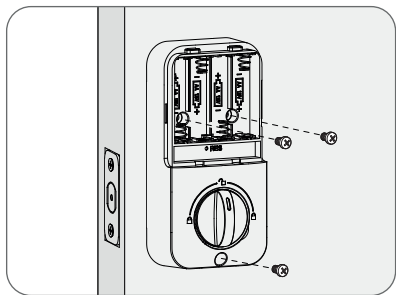
Remove the battery cover.



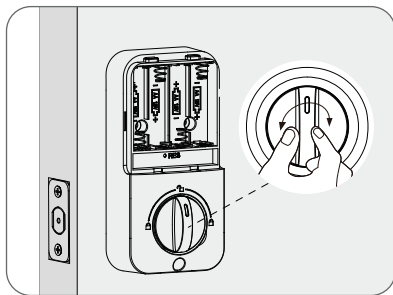
Connect the cable and ensure tight cable connection.



Rotate the Thumb turn in vertical position and insert the horizontal orientation of torque blade into the interior assembly lock switch.



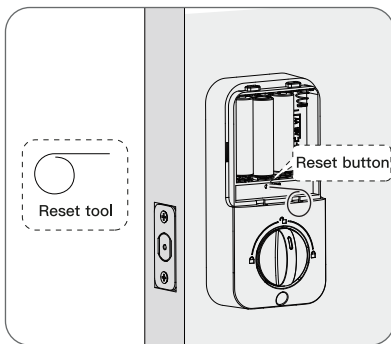
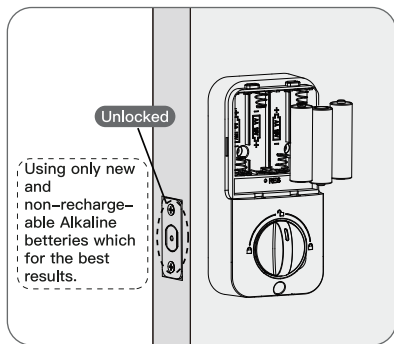
Secure the interior assembly with the supplied screws.



Test the lock by rotating the thumb turn to see if the bolt can be extended and retracted smoothly.

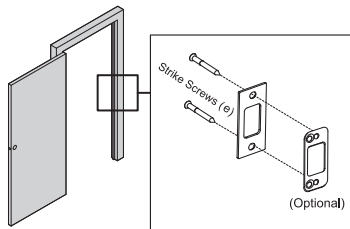
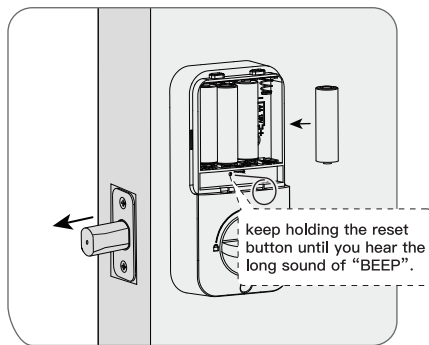
## 6. Detect left/right hand door installation

**⚠ IMPORTANT:** This step is required and crucial for the lock after installation!



While the door is open and unlock, load 3AA batteries into the interior assembly.

Press and hold the reset button on the interior assembly using the reset tool provided in package.



Keep holding the reset button, and load the last battery. Hold the reset button until you hear the long sound of "BEEP". The lock will automatically go into locking position. This is for the smart lock to memorize the orientation of the door.

Install strike on the door frame.  
**IMPORTANT:** Make sure the hole in door frame is drilled a minimum of 1"(25mm)deep.