

Quick Installation Guide

DIR-L1900

High-Performance Mesh Wi-Fi Router



PACKAGE CONTENTS

- DIR-L1900 || High-Performance Mesh Wi-Fi Router
- Power Adapter
- Ethernet Cable
- Quick Installation Guide
- Quick Installation Card



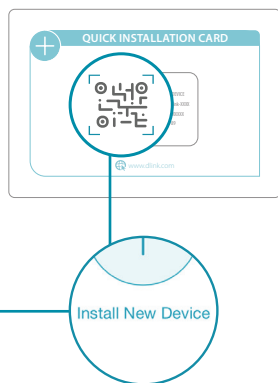
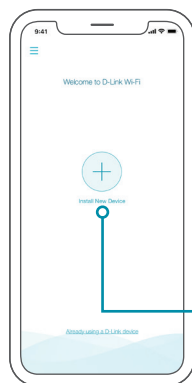
INSTALLATION

OPTION 1 D-LINK WI-FI APP SETUP

- 1 Download the D-Link Wi-Fi app and launch it.

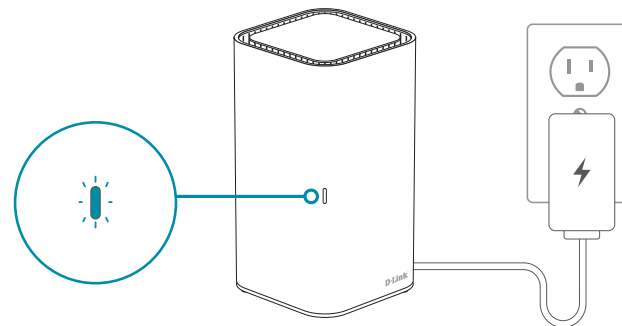


- 2 Tap **Install New Device**. Scan the QR code on the Quick Installation Card. Follow the on-screen instructions to complete the setup. **NOTE:** If you are setting up a second DIR-L1900 for a Mesh Network, see the **"D-Link Wi-Fi Mesh"** section below.

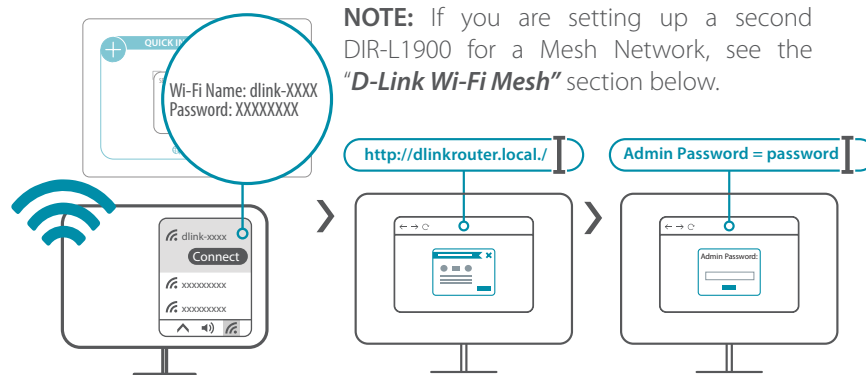


OPTION 2 WEB BROWSER SETUP

- 1 Plug the router into a power source. Make sure that the power button is on. Wait for the status LED to either flash orange or turn solid white.



- 2 Connect your computer to the Wi-Fi details printed on the Quick Installation Card. Type **http://dlinkrouter.local/** into a web browser. You will be asked for your Admin Password. By default this password is **"password"**. Type that in and follow the on-screen instructions to complete the setup.



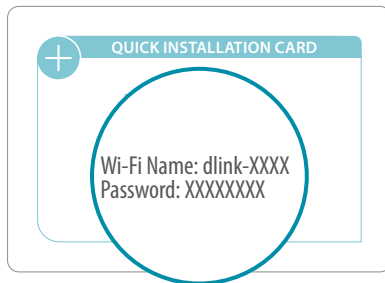
NOTE: If you are setting up a second DIR-L1900 for a Mesh Network, see the **"D-Link Wi-Fi Mesh"** section below.



You're all good to go! Once the setup is complete, you can connect your devices using the Wi-Fi name (SSID) and password that you created during the setup. Enjoy the Internet!



FREQUENTLY ASKED QUESTIONS



Why can't I access the web-based configuration utility?

Verify that [http://dlinkrouter.local./](http://dlinkrouter.local/) has been correctly entered into your Web browser. Make sure that you are connected to the correct Wi-Fi Name/SSID and password printed on the Quick Installation Card or that you configured during set up.

Why can't I access the Internet?

Ensure that your modem/gateway is powered on. Also ensure that the Ethernet cable is securely connected to both the router and modem. Verify that the status LED is illuminated on your router. If you still cannot access the Internet, power off your modem and router and power them back on, wait until all the LED is lit and try again.

What if I forgot my router Admin password or want to reset my router?

1. If you forgot your Admin password or want to reset your router back to the factory default settings, press and hold the reset button on the bottom of the router using a paper clip and release after the status LED turns red.

Note: This process will erase all your settings.

2. Setup your router using your preferred method.



VOICE ASSISTANTS



Amazon Alexa Setup for D-Link Wi-Fi

<https://www.dlink.com/en/alexa>



The Google Assistant Setup for D-Link Wi-Fi

<https://www.dlink.com/en/google-assistant>



TECHNICAL SUPPORT

Having trouble installing your new product? D-Link's website contains the latest user documentation and software updates for D-Link products.

United States

<http://support.dlink.com>



D-LINK WI-FI MESH

Do you want to expand your network? You easily can pair your High-Performance Mesh Wi-Fi Router (DIR-L1900) with another High-Performance Mesh Wi-Fi Router (DIR-L1900) or with a D-Link Wi-Fi Mesh-enabled range extender like the AC1900 High-Performance Mesh Wi-Fi Range Extender (DAP-1955) to create a seamless mesh network that covers every corner of your home.

When pairing a new High-Performance Mesh Wi-Fi Router (DIR-L1900) to an existing one, please select "**Extender Mode**" when asked "**How do you want to set up your device?**" during the setup process. **Note:** The first DIR-L1900 you install should be set to "**Router Mode**".



GPL CODE STATEMENT

This D-Link product includes software code developed by third parties, including software code subject to the GNU General Public License ("GPL") or GNU Lesser General Public License ("LGPL"). As applicable, the terms of the GPL and LGPL, and information on obtaining access to the GPL code and LGPL code used in this product, are available to view the full GPL Code Statement at:

<https://tsd.dlink.com.tw/GPL>

The GPL code and LGPL code used in this product is distributed WITHOUT ANY WARRANTY and is subject to the copyrights of one or more authors. For details, see the GPL code and the LGPL code for this product and the terms of the GPL and LGPL.

Written Offer for GPL and LGPL Source Code

Where such specific license terms entitle you to the source code of such software, D-Link will provide upon written request via email and/or traditional paper mail the applicable GPL and LGPL source code files via CD-ROM for a nominal cost to cover shipping and media charges as allowed under the GPL and LGPL.

Please direct all inquiries to:

Snail Mail:

Attn: GPLSOURCE REQUEST
D-Link Systems, Inc.
17595 Mt. Herrmann Street
Fountain Valley, CA 92708

Email:

GPLCODE@dlink.com



FCC WARNING

This device is complies with Part 15 of the FCC Rules. Operation is subject to the following two conditions:

- (1) The device may not cause harmful interface, and
- (2) this device must accept any interface received, including interface that may cause undesired operation.

D-Link®