



FRONT-LOADING AUTOMATIC WASHER

Use & Care Guide

For questions about features, operation/performance,
parts, accessories or service call: 1-800-253-1301

In Canada, for assistance call: 1-800-461-5681,
for installation and service call: 1-800-807-6777

or visit our website at
www.whirlpool.com or www.whirlpool.com/canada

LAVEUSE AUTOMATIQUE À CHARGEMENT FRONTAL

Guide d'utilisation et d'entretien

Pour des questions à propos des caractéristiques, du fonctionnement/
performance, des pièces, accessoires ou service,
composez le 1-800-253-1301.

Pour assistance au Canada, composez le
1-800-461-5681,
pour installation et service, composez le 1-800-807-6777
ou visitez notre site internet à
www.whirlpool.com ou www.whirlpool.com/canada

Table of Contents/Table des matières 2

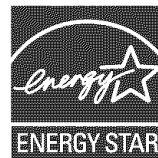


TABLE OF CONTENTS

WASHER SAFETY	3
INSTALLATION REQUIREMENTS	4
Tools and Parts	4
Options	4
Location Requirements	4
Drain System	6
Electrical Requirements	6
INSTALLATION INSTRUCTIONS	7
Remove Transport System	7
Connect the Inlet Hoses	7
Route the Drain Hose	8
Secure the Drain Hose	8
Level the Washer	8
Complete Installation	8
FEATURES AND BENEFITS	9
WASHER USE	10
Starting Your Washer	10
Using the Dispenser	11
Pausing or Restarting	12
Changing Cycles, Options and Modifiers	12
Status Lights	12
Cycles	13
Options	14
Modifiers	15
Laundry Guide	16
LAUNDRY TIPS	16
Loading	17
WASHER CARE	17
Cleaning Your Washer	17
Water Inlet Hoses	17
Vacation, Storage, and Moving Care	17
TROUBLESHOOTING	18
ASSISTANCE OR SERVICE	20
In the U.S.A.	20
In Canada	20
WARRANTY	21

TABLE DES MATIÈRES

SÉCURITÉ DE LA LAVEUSE	22
EXIGENCES D'INSTALLATION	23
Outils et pièces	23
Facultatif	23
Exigences d'emplacement	23
Système de vidange	25
Spécifications électriques	26
INSTRUCTIONS D'INSTALLATION	27
Enlèvement du système de transport	27
Raccordement des tuyaux d'alimentation	27
Acheminement du tuyau de vidange	27
Immobilisation du tuyau de vidange	28
Réglage de l'aplomb de la laveuse	28
Achever l'installation	28
CARACTÉRISTIQUES ET AVANTAGES	29
UTILISATION DE LA LAVEUSE	30
Mise en marche de la laveuse	30
Utilisation du distributeur	31
Pause ou remise en marche	32
Changement de programmes, options et modificateurs	32
Témoins lumineux	33
Programmes	33
Options	35
Modificateurs	36
Guide de lessivage	37
CONSEILS DE LESSIVAGE	38
Chargement	38
ENTRETIEN DE LA LAVEUSE	38
Nettoyage de la laveuse	38
Tuyaux d'alimentation de la laveuse	39
Préparation avant des vacances, un entreposage ou un déménagement	39
DÉPANNAGE	39
ASSISTANCE OU SERVICE	42
Aux États-Unis	42
Au Canada	42
GARANTIE	43



WASHER SAFETY

Your safety and the safety of others are very important.

We have provided many important safety messages in this manual and on your appliance. Always read and obey all safety messages.



This is the safety alert symbol.

This symbol alerts you to potential hazards that can kill or hurt you and others.

All safety messages will follow the safety alert symbol and either the word "DANGER" or "WARNING." These words mean:

⚠ DANGER

You can be killed or seriously injured if you don't immediately follow instructions.

⚠ WARNING

You can be killed or seriously injured if you don't follow instructions.

All safety messages will tell you what the potential hazard is, tell you how to reduce the chance of injury, and tell you what can happen if the instructions are not followed.

IMPORTANT SAFETY INSTRUCTIONS

WARNING: To reduce the risk of fire, electric shock, or injury to persons when using the washer, follow basic precautions, including the following:

- Read all instructions before using the washer.
- Do not wash articles that have been previously cleaned in, washed in, soaked in, or spotted with gasoline, dry-cleaning solvents, other flammable, or explosive substances as they give off vapors that could ignite or explode.
- Do not add gasoline, dry-cleaning solvents, or other flammable, or explosive substances to the wash water. These substances give off vapors that could ignite or explode.
- Under certain conditions, hydrogen gas may be produced in a hot water system that has not been used for 2 weeks or more. **HYDROGEN GAS IS EXPLOSIVE.** If the hot water system has not been used for such a period, before using the washing machine, turn on all hot water faucets and let the water flow from each for several minutes. This will release any accumulated hydrogen gas. As the gas is flammable, do not smoke or use an open flame during this time.
- Do not allow children to play on or in the washer. Close supervision of children is necessary when the washer is used near children.
- Before the washer is removed from service or discarded, remove the door or lid.
- Do not reach into the washer if the drum, tub or agitator is moving.
- Do not install or store the washer where it will be exposed to the weather.
- Do not tamper with controls.
- Do not repair or replace any part of the washer or attempt any servicing unless specifically recommended in this manual or in published user-repair instructions that you understand and have the skills to carry out.
- See "Electrical Requirements" for grounding instructions.

SAVE THESE INSTRUCTIONS

INSTALLATION REQUIREMENTS

Tools and Parts

Assemble the necessary tools and supplies before beginning the washer installation. The parts supplied are in the washer drum.

Tools needed for connecting the water inlet hoses

- Pliers (that open to 1 $\frac{1}{16}$ in. [39.5 mm])
- Flashlight (optional)

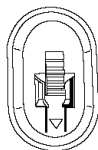
Tools needed for installation

- Open end wrench 17 mm and 13 mm
- Level
- Wood block (2" x 4")
- Ruler or measuring tape

Parts supplied:



Beaded strap



Transport bolt hole plug (4)

Alternate Parts

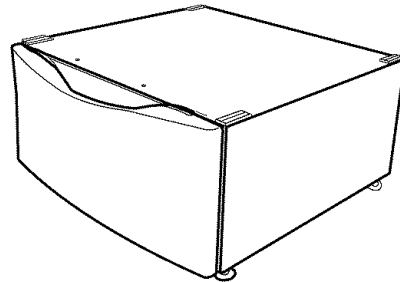
Your installation may require additional parts. If you are interested in purchasing one of the items listed here, call the toll-free number on the cover or in the "Assistance or Service" section.

If You Have	You Will Need to Buy
Laundry tub or standpipe taller than 96 in. (2.4 m)	Sump pump system (if not already available)
Overhead sewer	Standard 20 gal. (76 L), 30 in. (76.2 cm) tall drain tub or utility sink and sump pump (available from local plumbing suppliers)
Floor drain	Siphon break, Part Number 285834; additional drain hose Part Number 8318155; and connector kit, Part Number 285835
Drain hose too short	4 ft drain hose extension kit, Part Number 285863
Water faucets beyond reach of fill hoses	2 longer water fill hoses: 6 ft (1.8 m) Part Number 76314, 10 ft (3.0 m) Part Number 350008

Options

Pedestal

Are you placing the washer on a pedestal? You may purchase a pedestal separately for this washer. This pedestal will add about 13 in. (33 cm) to the height of your unit for a total height of approximately 51 in. (130 cm).



Optional pedestal

To order, call the dealer from whom you purchased your washer or refer to the "Assistance or Service" section of this manual. Ask for Part Number LAB2700MQ (White), LAB2700MT (Biscuit) or LAB2700ML (Pewter).

Stack Kit

Are you planning to stack your DUET® washer and dryer? To do so you will need to purchase a Stack Kit.

To order, call the dealer from whom you purchased your dryer or refer to the "Assistance or Service" section of this manual. Ask for Part Number 8541503.

Location Requirements

Selecting the proper location for your washer improves performance and minimizes noise and possible washer "walk." Your washer can be installed under a custom counter, or in a basement, laundry room, closet, or recessed area. (See "Drain System.")

Companion appliance location requirements should also be considered. Proper installation is your responsibility.

You will need

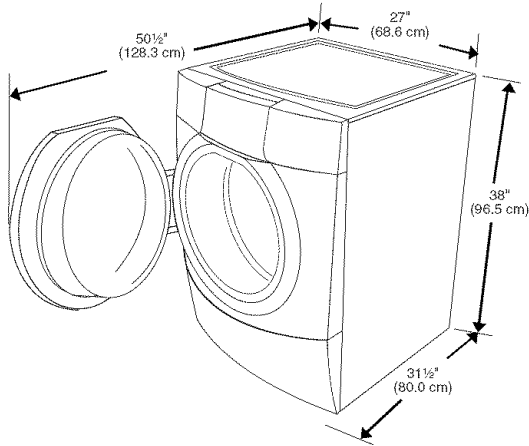
- A water heater set to deliver 120°F (49°C) water to the washer.
- A grounded electrical outlet located within 5 ft (1.5 m) of where the power cord is attached to the back of the washer. (See "Electrical Requirements.")
- Hot and cold water faucets located within 4 ft (1.2 m) of the hot and cold water fill valves, and water pressure of 20-100 psi (137.9-689.6 kPa).
- A level floor with a maximum slope of 1 in. (2.5 cm) under entire washer. Installing the washer on carpeting is not recommended.
- A sturdy and solid floor to support the washer with a total weight (water and load) of 400 lbs (180 kg).

Do not operate your washer in temperatures below 32°F (0°C). Some water can remain in the washer and can cause damage in low temperatures.

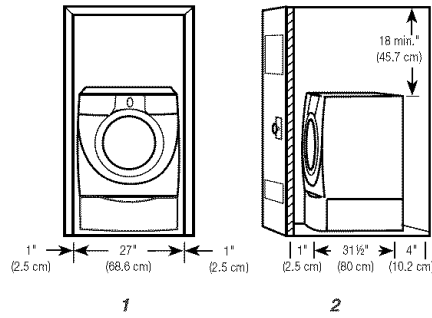
Installation clearances

- The location must be large enough to allow the washer door to be fully opened.
- Additional spacing should be considered for ease of installation and servicing.
- Additional clearances might be required for wall, door, and floor moldings.
- Additional spacing of 1 in. (2.5 cm) on all sides of the washer is recommended to reduce noise transfer.
- Companion appliance spacing should also be considered.

Washer Dimensions



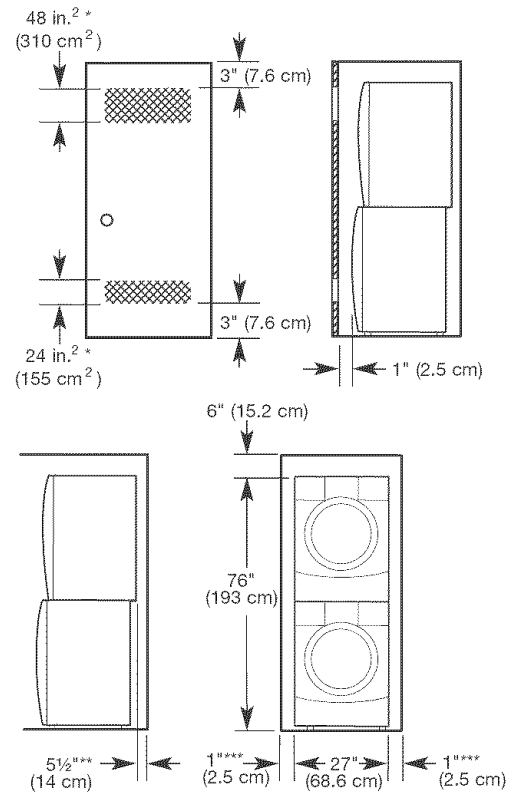
Recessed or closet installation - Washer on pedestal



1. Recessed area
2. Side view - closet or confined area

Recommended installation spacing for recessed or closet installation, with stacked washer and dryer

The dimensions shown are for the recommended spacing.

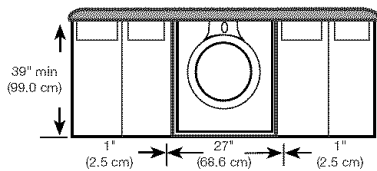


- *Min. top and bottom air openings for closet door.
- **External exhaust elbow requires additional space.
- ***Wall, door and floor molding may require additional spacing.

Recommended installation spacing for custom undercounter installation

The dimensions shown are for the recommended spacing.

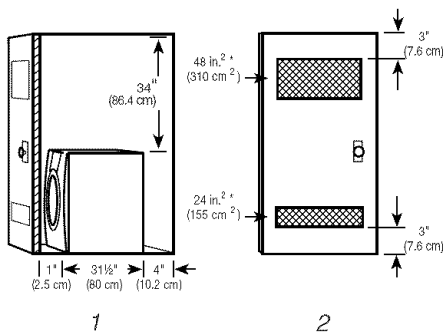
Custom undercounter installation - Washer only



Recommended installation spacing for recessed or closet installation, with or without a pedestal

The dimensions shown are for the recommended spacing.

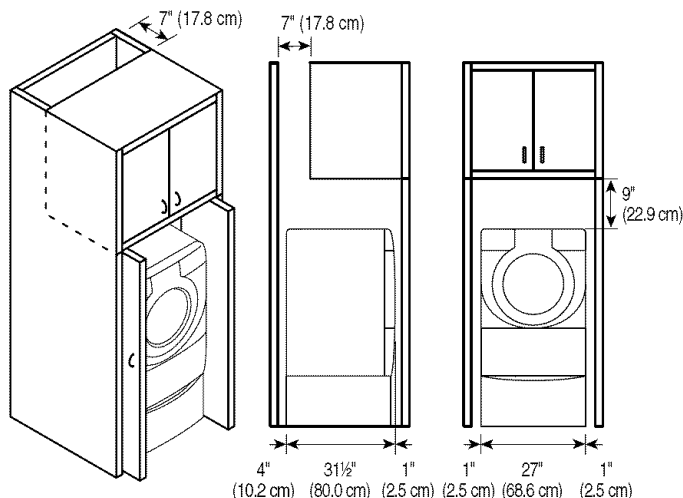
Recessed area or closet installation



1. Side view - closet or confined area
2. Closet door with vents

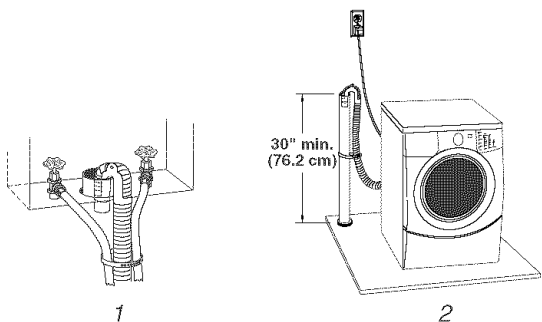
Recommended installation spacing for cabinet installation

- The dimensions shown are for the recommended spacing.
- For cabinet installation, with a door, the minimum ventilation openings in the top are required.



Drain System

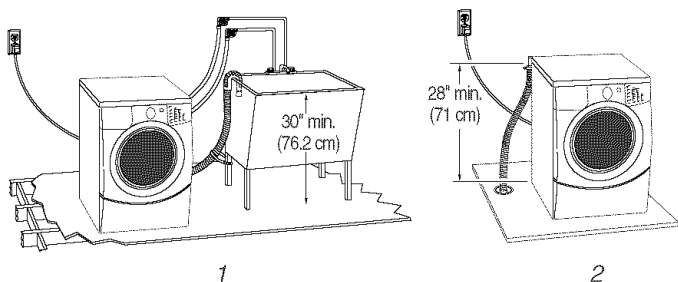
The washer can be installed using the standpipe drain system (floor or wall), the laundry tub drain system, or the floor drain system. Select the drain hose installation method you need. (See "Alternate Parts.")



Standpipe drain system - wall or floor (view 1 & 2)

The standpipe drain requires a minimum diameter standpipe of 2 in. (5 cm). The minimum carry-away capacity can be no less than 17 gal. (64 L) per minute.

The top of the standpipe must be at least 30 in. (76.2 cm) high and no higher than 96 in. (2.4 m) from the bottom of the washer.



Laundry tub drain system (view 1)

The laundry tub needs a minimum 20 gal. (76 L) capacity. The top of the laundry tub must be at least 30 in. (76.2 cm) above the floor.

Floor drain system (view 2)

The floor drain system requires a siphon break that may be purchased separately. (See "Alternate Parts.")

The siphon break must be a minimum of 28 in. (71 cm) from the bottom of the washer. Additional hoses might be needed.

Electrical Requirements

⚠ WARNING



Electrical Shock Hazard

Plug into a grounded 3 prong outlet.

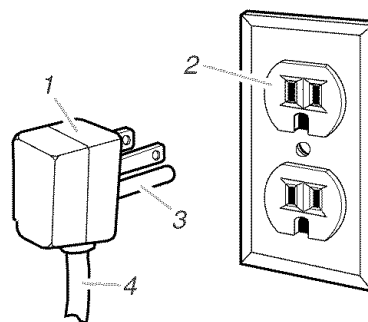
Do not remove ground prong.

Do not use an adapter.

Do not use an extension cord.

Failure to follow these instructions can result in death, fire, or electrical shock.

- A 120-volt, 60-Hz., AC-only, 15- or 20-ampere, fused electrical supply is required. Time-delay fuse or circuit breaker is recommended. It is recommended that a separate circuit serving only this appliance be provided.
- This washer is equipped with a power supply cord having a 3 prong grounding plug.
- To minimize possible shock hazard, the cord must be plugged into a mating, 3 prong, grounding-type outlet, grounded in accordance with local codes and ordinances. If a mating outlet is not available, it is the personal responsibility and obligation of the customer to have the properly grounded outlet installed by a qualified electrician.
- If codes permit and a separate ground wire is used, it is recommended that a qualified electrician determine that the ground path is adequate.
- Do not ground to a gas pipe.
- Check with a qualified electrician if you are not sure the washer is properly grounded.
- Do not have a fuse in the neutral or ground circuit.



1. 3 prong grounding plug
2. 3 prong grounding-type wall receptacle
3. Grounding prong
4. Power supply cord

GROUNDING INSTRUCTIONS

For a grounded, cord-connected washer:

This washer must be grounded. In the event of a malfunction or breakdown, grounding will reduce the risk of electrical shock by providing a path of least resistance for electric current. This washer is equipped with a cord having an equipment-grounding conductor and a grounding plug. The plug must be plugged into an appropriate outlet that is properly installed and grounded in accordance with all local codes and ordinances.

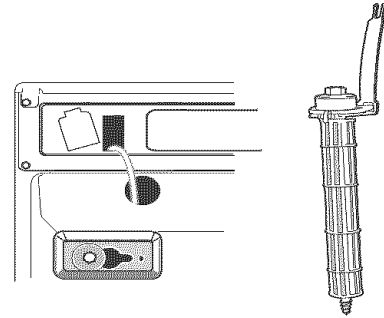
WARNING: Improper connection of the equipment-grounding conductor can result in a risk of electric shock. Check with a qualified electrician or serviceman if you are in doubt as to whether the appliance is properly grounded.

Do not modify the plug provided with the appliance – if it will not fit the outlet, have a proper outlet installed by a qualified electrician.

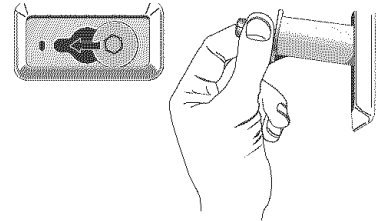
For a permanently connected washer:

This washer must be connected to a grounded metal, permanent wiring system, or an equipment grounding conductor must be run with the circuit conductors and connected to the equipment-grounding terminal or lead on the appliance.

There are 4 bolts in the rear panel of the washer that support the suspension system during transportation. These bolts also retain the power cord inside the washer until the bolts are removed.



1. Using a 13 mm wrench, loosen each of the bolts.
2. Once the bolt is loose, move it to the center of the hole and completely pull out the bolt, including the plastic spacer covering the bolt. The power cord will be attached to all 4 bolts inside the washer.



3. Once all 4 bolts are removed, pull the power cord through the opening of the rear panel and close the hole with the attached cap.
4. Close the bolt holes with the 4 transport bolt hole plugs.

NOTE: If the washer is to be transported at a later date, call your local service center.

INSTALLATION INSTRUCTIONS

Remove Transport System

⚠ WARNING

Excessive Weight Hazard

Use two or more people to move and install washer.

Failure to do so can result in back or other injury.

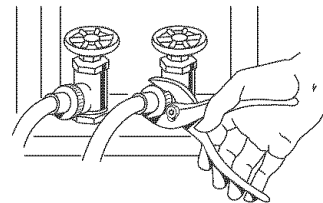
IMPORTANT: Position the washer so that the rear of the unit is within approximately 3 ft (90 cm) of the final location.

Connect the Inlet Hoses

Connect the inlet hoses to the water faucets

Make sure the washer drum is empty.

1. Using pliers, check the tightness of the hose couplings already attached to the washer.
NOTE: Do not overtighten. Damage to the coupling can result.
2. Attach the hose with the red color indicator to the hot water faucet. Screw on coupling by hand until it is seated on the washer.
3. Attach the hose with the blue color indicator to the cold water faucet. Screw on coupling by hand until it is seated on the washer.
4. Using pliers, tighten the couplings with an additional two-thirds turn.



NOTE: Do not overtighten. Damage to the coupling can result.

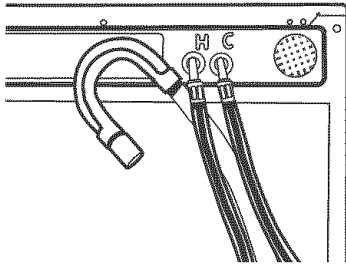
5. Turn on the water faucets and check for leaks.

NOTE: Replace inlet hoses after 5 years of use to reduce the risk of hose failure. Record hose installation or replacement dates on the hoses for future reference. Periodically inspect and replace hoses if bulges, kinks, cuts, wear, or leaks are found.

Route the Drain Hose

Proper routing of the drain hose protects your floors from damage due to water leakage. Carefully read and follow these instructions.

The drain hose is connected to your washer.



To prevent drain water from going back into the washer:

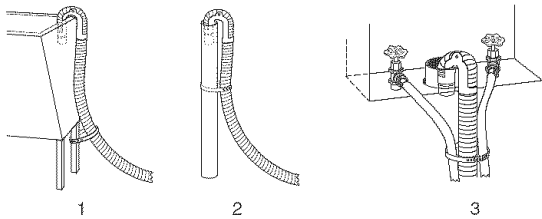
- Do not straighten the drain hose, and do not force excess drain hose into standpipe. Hose should be secure, but loose enough to provide a gap for air.
- Do not lay excess hose on the bottom of the laundry tub.

Floor drain

You may need additional parts. (See Floor Drain under "Alternate Parts.")

Secure the Drain Hose

1. Drape the power cord over the washer top.
2. Secure the drain hose to the laundry tub leg or standpipe with the beaded strap provided. (See illustrations 1 and 2.)



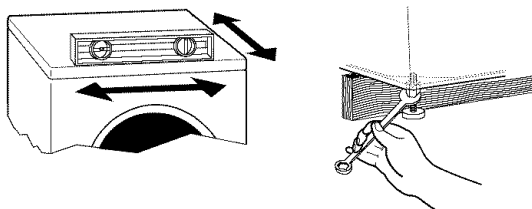
If the washer faucets and the drain standpipe are recessed (see illustration 3), put the hooked end of the drain hose in the standpipe. Tightly wrap the beaded strap around the water inlet hoses and the drain hose.

Do not force excess drain hose into the standpipe.

Level the Washer

Properly leveling your washer prevents excessive noise and vibration.

1. Check the levelness of the washer by placing a level on the top edge of the washer, first side to side, then front to back.



If the washer is against a wall, move the washer out slightly before tipping back. If the washer is not level, first prop the front with a wood block (2" x 4") and adjust the feet as necessary; then prop the back and adjust feet as necessary. Repeat this step until washer is level.

2. After the washer is level, use a 17 mm open-end wrench to turn the nuts on the feet tightly against the washer cabinet. All 4 feet must be tightened. If the nuts are not tight against the washer cabinet, the washer may vibrate.
3. Slide the washer to its final location.
4. Confirm the levelness of the washer.

Complete Installation

1. Check the electrical requirements. Be sure that you have the correct electrical supply and the recommended grounding method. (See "Electrical Requirements.")
2. Check to be sure all parts are now installed. If there is an extra part, go back through the steps to see which step was skipped.
3. Check to be sure you have all of your tools.
4. Dispose/recycle all packaging materials.
5. Check to be sure the water faucets are on.
6. Check for leaks around faucets and inlet hoses.

⚠ WARNING



Electrical Shock Hazard

Plug into a grounded 3 prong outlet.

Do not remove ground prong.

Do not use an adapter.

Do not use an extension cord.

Failure to follow these instructions can result in death, fire, or electrical shock.

7. Plug into a grounded 3 prong outlet.
8. Read "Washer Use."
9. To test and to clean your washer, measure $\frac{1}{2}$ the normal recommended amount of powdered or liquid High Efficiency (HE) detergent. Pour the detergent into the detergent dispenser. Select NORMAL, and then select HOLD TO START. Allow the washer to complete one whole cycle.

FEATURES AND BENEFITS



Woolmark

The wool wash cycle of this machine has been approved by Woolmark for the washing of machine washable Woolmark products provided that the products are washed according to the instructions on the garment label and those issued by the manufacturer of this washing machine, M0301.

Electronic Controls

Flexible electronic controls are easy to use whether you are a beginner or an expert.

Smart Dispensers

The Smart Dispensers make your washer truly automatic. This washer provides a four-compartment dispenser which includes separate compartments for main wash detergent, fabric softener, bleach, and auto prewash or auto soak. The dispenser has large pour zones, is self-cleaning, and can be easily removed. Laundry products are diluted with fresh water and added to the load at the proper time in the wash cycle.

Auto Water Level

This washer automatically adjusts water level for best cleaning and rinsing performance. Two sensors determine load size, load composition, and suds level, then the sensors adjust the water level to the proper setting. This eliminates guesswork. The water level is just right for every wash load size.

Larger Load Size

Since there is no agitator, you can wash larger, bulkier items like a king-sized bedspread. You are also able to wash more clothes at one time, which means fewer loads.

Suspension System

To reduce washer "walk" and "off-balance" conditions, your new washer combines:

- 2 Springs to isolate vibration
- 4 Shock absorbers at the washer base to minimize movement

Stainless Steel Drum

The Stainless Steel drum eliminates corrosion and enables higher spin speeds for more water extraction, reducing drying time.

High-Efficiency Wash System

Your new front-loading, high-efficiency washer saves time with fewer, larger loads, and lowers your water and energy bills by helping conserve resources.

Spin Speeds

This washer automatically selects the spin speed based on the cycle selected. This factory setting can be changed, however. This washer offers up to five different spin speed choices.

Heating Element

This washer has a heating element that automatically heats the water to the best temperature on select cycles. This enables stepped cleaning, a process in which warm water is brought in and mixed with detergent first, then the water is heated. The warm water cleans stains such as blood and eggs, and the heated water removes oily stains such as perspiration and dirty mechanical oil. This heater is active in the Sanitary, Whitest Whites and Heavy Duty cycles, and in the Stain Treat option.

ACCUWASH™ Automatic Temperature Control

The ACCUWASH™ control electronically senses and maintains a uniform water temperature. ACCUWASH control regulates incoming hot and cold water. ACCUWASH control is automatically turned On when a cycle is selected.

Add A Garment

At the beginning of the Sanitary, Whitest Whites, Heavy Duty, Normal and Quick Wash cycles, this washer allows an 8-minute period in which forgotten garments may be added to a load. The ADD A GARMENT status light will glow during this 8-minute period.

CATALYST® Cleaning Action with Direct Injection

This washer channels 100% of the water through the dispensers to assure thorough rinse-out and mixture of all the additives before they touch any garments. The water is then sprayed from the top front onto the center of the load, providing even distribution and optimum cleaning performance. It is normal for small amounts of water to remain in the dispensers when the wash cycle is complete.

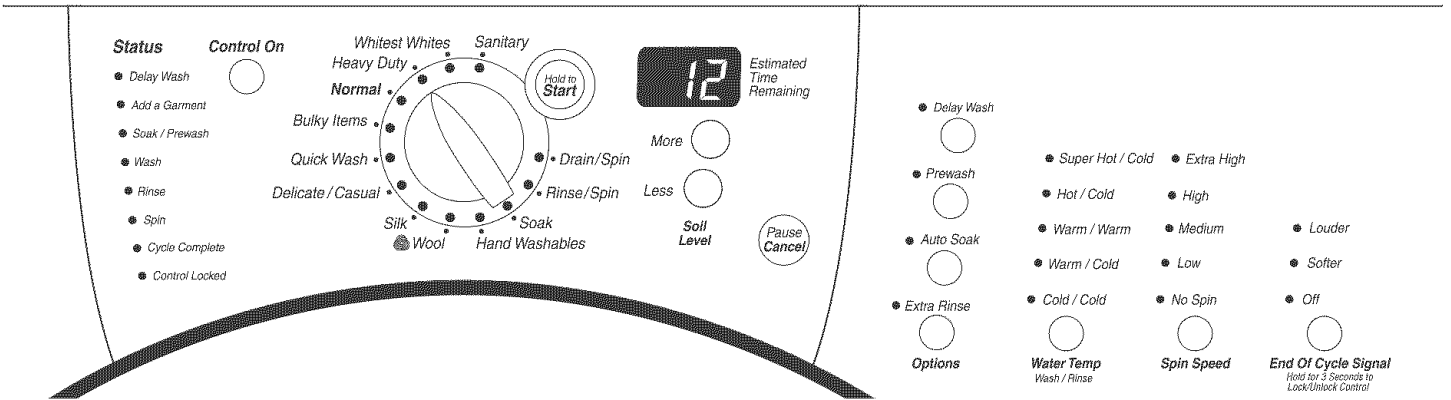
Efficient Detergent System

This washer has a specially designed valve that closes during the wash portion of the cycle so that 100% of the water and detergent mixture is used on the load. The Efficient Detergent System ensures that no water or detergent is wasted.

Dynamic Off-Balance Detection

This washer uses two sensors to detect load size and the amount of off-balance within the load. The suspension system and controls are specially designed to redistribute the load automatically.

WASHER USE



Starting Your Washer

⚠ WARNING

Fire Hazard

Never place items in the washer that are dampened with gasoline or other flammable fluids.

No washer can completely remove oil.

Do not dry anything that has ever had any type of oil on it (including cooking oils).

Doing so can result in death, explosion, or fire.

WARNING: To reduce the risk of fire, electric shock, or injury to persons, read the IMPORTANT SAFETY INSTRUCTIONS before operating this appliance.

The following is a guide to using your washer. Please refer to specific sections of this manual for more detailed information. Do not store laundry products on the top surface of this washer. Vibration is normal during operation.

First Wash Cycle Without Laundry

Before washing clothes for the first time, choose NORMAL cycle and run it without clothes. After installation, if a complete cycle has not been run without clothes, use ½ the normal recommended amount of powdered or liquid High Efficiency (HE) detergent. This initial cycle serves to ensure the interior is clean before washing clothes.

1. To load washer

Open the washer door by pulling on the handle. Sort laundry according to color and type of fabric. Place a load of sorted clothes in the washer. Do not overload washer. Overloading can cause poor cleaning.

- The washer can be fully loaded, but not tightly packed. Washer door should close easily.

- Mix large and small items and avoid washing single items. Load evenly.
 - It is recommended that you wash small items such as infant socks in a mesh garment bag.
 - When unloading garments, occasionally check under the rubber rim at the front of the tub for small items.
2. Close the washer door by pushing it firmly until the lock clicks. The washer door will remain locked during the wash cycle.

NOTE: After any wash cycle is completed, the door must be opened and then closed before a new cycle can begin. The door can be opened only if PAUSE/CANCEL is selected while the ADD A GARMENT light is glowing or if the cycle has been canceled. See "To cancel a cycle."
 3. Open the Dispenser Drawer and add laundry products to the detergent, bleach, or fabric softener compartments. Close drawer slowly to avoid spills. See "Using the Dispenser."

NOTE: For best performance, use High Efficiency detergents. The package for this type of detergent will be marked "HE" or "High Efficiency."
 4. Turn on the washer by selecting CONTROL ON. Select one of the cycles by turning the cycle selector. The indicator light for the selected cycle will glow. When selecting a wash cycle, the preset Options, Water Temp, Spin Speed, and Soil Level for the selected cycle will glow. The display shows the estimated time remaining. The preset settings provide the recommended fabric care for the selected cycle. See "Cycles."
 5. Select the desired OPTIONS. Not all options are available with all cycles. See "Options."
 6. Select the desired MODIFIERS. Not all modifiers are available with all cycles and options. See "Modifiers."
 7. If desired, select the END OF CYCLE SIGNAL. The signal is helpful when you are washing items that should be removed from the washer as soon as it stops. Select LOUDER or SOFTER.
 8. **To begin the wash cycle immediately**
Select HOLD TO START.
 - If you do not select HOLD TO START within 5 minutes of choosing a cycle, the washer automatically shuts off.
 - When the wash cycle is complete, the CYCLE COMPLETE status light glows, the door unlocks, and the wash load can be removed from the washer. The washer powers down automatically 5 minutes after the cycle is complete and the CYCLE COMPLETE light goes off. To power down the washer manually after the wash cycle is complete, select PAUSE/CANCEL once.

9. To begin the wash cycle later

Select DELAY WASH until the desired delay time (in hours) shows in the Estimated Time Remaining display. Select START. The countdown to the wash cycle will show in the display window.

Using the Dispenser

Your new washer has a dispenser drawer with four separate compartments for your laundry products—two are for detergent, one is for liquid chlorine bleach, and one is for liquid fabric softener. Laundry products are diluted and dispensed automatically at the proper time during the wash cycle, making it unnecessary for you to return to the washer during the cycle to add them.

It is normal for small amounts of water to remain in the dispensers when the wash cycle is complete.

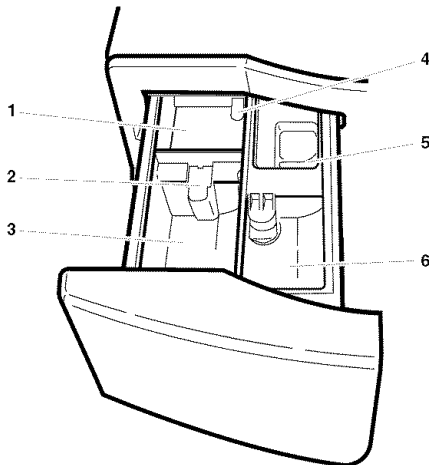
Do not put laundry additives directly into the wash tub. Always use the proper dispensers when adding laundry products.

Choosing the Right Detergent

For best washing performance, use a High Efficiency (HE), or low-sudsing, detergent.

To fill dispenser compartments

1. Pull out the dispenser drawer.
2. Add the desired laundry product to the proper compartment.
3. Push in the dispenser drawer carefully and completely (to avoid spillage).



Dispenser

1. Prewash detergent compartment
2. Separator
3. Main Wash detergent compartment
4. Dispenser release lever
5. Bleach compartment
6. Fabric softener compartment

Prewash detergent compartment

(Number 1 in Dispenser Illustration)

Add detergent to this compartment when using the Prewash option or Auto Soak. Liquid or powdered detergent may be used in this compartment. The detergent will automatically be dispensed during Prewash if the Prewash option is selected or during the soak time if Auto Soak is selected.

- Using High Efficiency (HE) detergent, add $\frac{1}{3}$ the recommended amount to the Prewash compartment and $\frac{2}{3}$ the recommended amount to the Main Wash compartment.

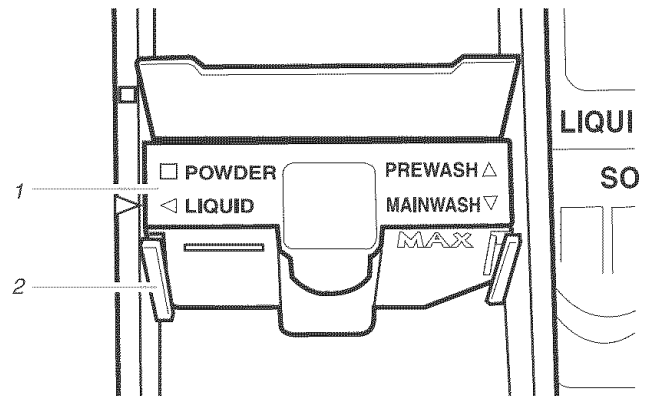
Main Wash detergent compartment

(Number 3 in Dispenser Illustration)

Add liquid or powdered detergent to this compartment for your main wash cycle. The detergent separator must always be in place, either in the front or back position.

IMPORTANT: If you are using the Prewash option or the Auto Soak with a wash cycle, powdered detergent must be used in the Main Wash compartment since liquid detergents may seep out of the Main Wash compartment during the prewash, soak time, or delay before the main wash begins.

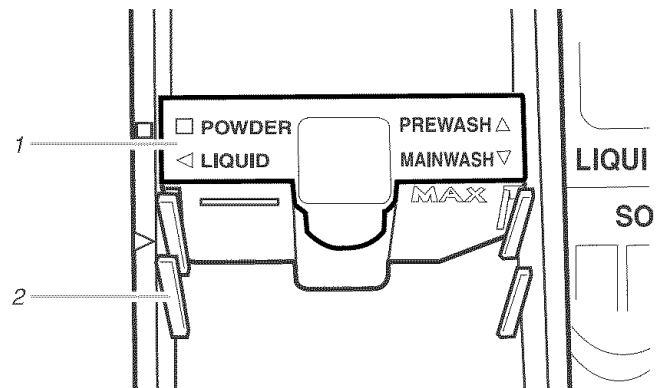
- Do not fill beyond the "MAX" level.
- Liquid or powdered color-safe bleach may be added to the Main Wash compartment along with the same type of detergent, liquid or powdered.
- **Liquid detergent:** Put the SEPARATOR in the front position, between the guides, as shown following. There will be no gap between the bottom of the wash cycle detergent compartment and the bottom of the separator.



Separator in front position, between guides

1. Separator
2. Guide

- **Powdered detergent:** Put the SEPARATOR in the back position, behind the guides, as shown following. There will be a gap between the bottom of the wash cycle detergent compartment and the bottom of the separator.



Separator in back position, behind guides

1. Separator
2. Guide

NOTE: The separator will be in the POWDER (back) position when shipped from the factory.

Bleach compartment

(Number 5 in Dispenser Illustration)

Add NO MORE THAN $\frac{1}{3}$ cup (80 mL) liquid chlorine bleach to this compartment. The bleach will be automatically diluted and dispensed at the optimum time during the first rinse after the wash cycle. This compartment cannot dilute powdered bleach.

- Always measure liquid chlorine bleach. Use a measuring cup with a pour spout; do not guess.
- Do not fill beyond the “MAX” level. Overfilling could cause severe garment damage.

Fabric Softener compartment

(Number 6 in Dispenser Illustration)

Add ¼ cup (60 mL) liquid fabric softener to this compartment. Fabric softener will be automatically dispensed in the final rinse.

- Do not fill beyond the “MAX” level.

Pausing or Restarting

1. To pause the washer at any time, select PAUSE/CANCEL.
2. To continue the cycle, select HOLD TO START (for approximately 1 second).

Changing Cycles, Options and Modifiers

Not all Options and Modifiers are available with all cycles. Cycles, Options and Modifiers can be changed anytime before HOLD TO START is selected.

Options and Modifiers can be changed anytime after HOLD TO START is selected and before the start of the selected Option or Modifier.

To cancel a cycle and select a new cycle

1. Select PAUSE/CANCEL twice.
2. Select desired cycle.
3. Select the desired OPTIONS.
4. Select HOLD TO START (for approximately 1 second) to restart the washer at the beginning of the new cycle.

To cancel a cycle

1. Select PAUSE/CANCEL twice.
2. The washer powers down, the door unlocks, and clothes can be removed.

NOTE: If the water level or the temperature is too high, the washer will drain automatically before the door unlocks.

To change Options or Modifiers after the cycle has started

1. Select PAUSE/CANCEL.
2. Select the desired OPTIONS or MODIFIERS.
3. Select HOLD TO START (for approximately 1 second) to continue the cycle.

To drain the washer manually

1. Select PAUSE/CANCEL.
2. Select DRAIN/SPIN.
3. Select HOLD TO START (for approximately 1 second) to begin the drain.
4. When the spin is complete, the door unlocks. Items can be removed from the washer.

Status Lights

These lights show which portion of the cycle the washer is operating. They also indicate when you can add an additional item to the wash cycle and when the controls are locked.

Status

- Delay Wash
- Add a Garment
- Soak / Prewash
- Wash
- Rinse
- Spin
- Cycle Complete
- Control Locked

Adding items

You can add items to the washer after the cycle has started for Sanitary, Whitest Whites, Heavy Duty, Normal and Quick Wash, if the ADD A GARMENT status light is glowing.

To add items

1. Select PAUSE/CANCEL. The washer door unlocks, and items can be added.
2. To continue the cycle, close the door and select HOLD TO START (for approximately 1 second).

Cycle Complete

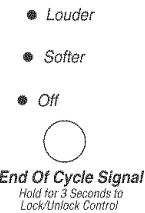
The cycle complete light stays on for 5 minutes after the cycle is complete, and then the washer shuts off.

Locking controls

The Control Lock prevents unintended use of the washer. You can also use the control lock feature to prevent unintended cycle or option changes during a cycle. When CONTROL LOCKED is lit, all buttons are disabled except for PAUSE/CANCEL and START. You can lock the controls while the washer is operating.

To lock the controls

Select and hold END OF CYCLE SIGNAL for 3 seconds.



The CONTROL LOCKED status light glows.

To unlock the controls

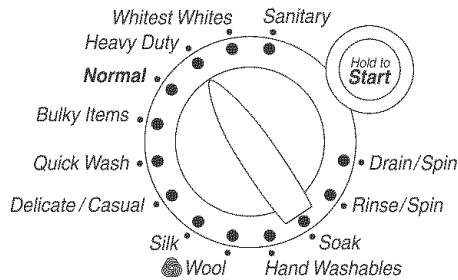
Select and hold END OF CYCLE SIGNAL for 3 seconds until the CONTROL LOCKED status light turns off.

Estimated time remaining

The cycle time varies automatically based on your water pressure, water temperature, detergent and clothes load. The cycle time will be extended if oversudsing occurs or the load is unbalanced.

Cycles

Cycles can be selected by turning the Cycle control knob to the desired cycle. Each cycle is designed for different types of fabric and soil levels.



- Each cycle has a preset Soil Level (cycle time), Water Temperature and Spin Speed, and may have preset options. The preset settings provide the recommended fabric care for the selected cycle.
- The preset settings can be changed anytime before HOLD TO START is pressed. Not all options and modifiers are available with all cycles. (To change settings after the cycle has started, press PAUSE/CANCEL, then select the desired settings. Press HOLD TO START to continue the cycle.)

Sanitary

Use this cycle to clean heavily soiled, colorfast fabrics. This cycle combines a super hot water temperature and fast speed tumbling to help ensure the removal of heavy soils and stains. It is recommended that you set your hot water heater to 120°F (49°C) to ensure proper performance during this cycle. The Sanitary cycle also helps eliminate 99.999% of 3 common infectious bacteria, even when no bleach is used. Extra high speed spin helps shorten drying time.

Whitest Whites

This cycle is especially designed for cleaning loads of soiled white fabrics with the addition of bleach. Hot washing temperatures assure optimal bleach activity. An additional rinse provides optimal rinse performance to avoid chlorine residues on your laundry. This cycle combines fast-speed tumbling, longer wash time, and extra high speed spin to shorten drying time.

Heavy Duty

Use this cycle to wash loads of sturdy, colorfast fabrics and heavily to normally soiled garments. This cycle combines fast-speed tumbling, longer wash time, and extra high speed spin to shorten drying times. If the water temperature is lower than needed for this cycle, the heater will warm the water to the optimum temperature.

NOTE: Use the Heavy Duty cycle for optimal removal of organic soils such as blood.

Normal

Use this cycle to wash normally soiled cottons and linens. This cycle combines medium-speed tumbling and high-speed spin.

Bulky Items

Use this cycle to wash large items such as blankets and comforters. This cycle starts with a soak to thoroughly saturate your large load. This is followed by medium wash action and low-speed spin only to maintain load balance.

Quick Wash

Use this cycle to wash small loads of lightly soiled garments that are needed in a hurry. This cycle combines fast-speed tumbling, a shortened wash time, and extra high speed spin to shorten drying time.

Delicate/Casual

Use this cycle to wash no-iron fabrics and garments labeled "Permanent Press" or "Wrinkle Free" or that indicate using a "Gentle" cycle on the care label. This cycle combines low-speed tumbling and low speed spin to reduce wrinkling.

Silk

Use this cycle to clean washable silk garments. (Check label instructions to make sure that garment is washable.) This cycle gently tumbles and drains without spinning to gently clean garments and minimize wrinkling. Because there is no spinning action, garments will contain a higher amount of water at the end of this cycle.

Wool

Use this cycle to clean machine washable woolen garments. (Check the care instructions to make sure that garment is washable.) This cycle features gentle tumbling and low-speed spin to provide optimum garment care.

Hand Washables

Use this cycle to clean hand washable and special-care garments. Similar to the way garments are hand washed in a sink, the wash action of this cycle combines periods of low-speed tumbling and soaking. Low-speed spin reduces wrinkling.

Soak

Use the Soak cycle to remove small spots of set-in stains on fabrics. This cycle provides a soak time with warm or cold water followed by drain. Extra water, a short tumbling phase for equal distribution of the laundry, and a soaking time without drum movement improve the removal of set-in stains. Drain without spin assures gentle treatment, even for delicate articles.

Rinse/Spin

Use this cycle to get a rinse and spin only. This cycle combines fast-speed tumbling and extra high speed spin. If desired, you can reduce the spin speed by selecting the speed you want from the SPIN SPEED modifier.

A Rinse/Spin cycle is useful for

- Loads that need rinsing only.
- Adding fabric softener to a load.

Drain/Spin

Use this cycle to drain your washer or to drain and spin your wash load. The spin speed is preset to extra high. If desired, you can reduce the spin speed by selecting the speed you want from the SPIN SPEED modifier.

NOTE: Loads of synthetics, delicate fabrics, handwashables, and woolens should be drained with no spin or low spin speed to avoid fabric stress.

Preset cycle settings

Each cycle has a preset Soil Level (cycle time), Water Temperature, and Spin Speed. The preset settings provide the recommended fabric care for the selected cycle. See chart.

Cycle	Soil Level (cycle time)	Water Temp	Spin Speed
Sanitary	Normal (1:55)	Super Hot/Cold	Extra High
Whitest Whites	Normal (1:00)	Hot/Cold	Extra High
Heavy Duty	Normal (1:20)	Hot/Cold	Extra High
Normal	Normal (0:40)	Warm/Cold	High
Bulky Items	Normal (0:55)	Warm/Cold	Low
Quick Wash	Less soil (0:30)	Warm/Cold	Extra High
Delicate/Casual	Normal (0:35)	Warm/Cold	Medium
Silk	Normal (0:26)	Cold/Cold	No Spin
Wool	Normal (0:30)	Cold/Cold	Medium
Hand Washables	Normal (0:30)	Cold/Cold	Low
Soak	Normal (0:30)	Warm/Cold	No Spin
Rinse/Spin	Normal (0:21)	Cold/Cold	Extra High
Drain/Spin	Normal (0:11)	N/A	Extra High

To change the preset cycle settings

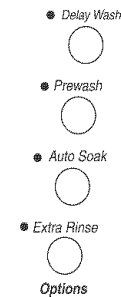
Press the selector of each setting until the desired setting glows.

Normal Washer Sounds

As with any new product, you will hear sounds that you are not accustomed to. You may hear various sounds when the door is locked and unlocked, and during the washing, rinsing, and spinning process. Between changes in wash actions, there will be momentary pauses. You will hear water spraying and splashing during the wash and rinse cycles. These new sounds and pauses are part of normal washer operation.

Options

You can customize your wash by adding “Options” to your cycle selections. You can add or change an option after starting a cycle anytime before the selected option begins. Not all options are available with all cycles.



- See the “Laundry Guide” for an overview of possible options for each Wash Cycle selection.
- You can select more than one option for a cycle. Some options cannot be added to some cycles; for example, Prewash cannot be added to the Quick Wash cycle.
- If an option is available with a selected cycle, the light for that option will glow when selected.
- If an option is unavailable with a selected cycle, there will be a short tone, and the light for that option will not glow when selected.

Delay Wash

Use this to begin the wash cycle later.

- Select Delay Wash until the desired time (in hours) shows in the Estimated Time Remaining display.
- Select START. The countdown to the wash cycle will show in the display window.

Prewash

Use this option for heavily soiled loads that need pretreatment. This option adds a 15-minute prewash and drain to the main wash cycle.

NOTES:

- Add detergent to the Prewash and Main Wash compartments of the Dispenser Drawer.
- When using Prewash, do not use liquid detergent in the Main Wash compartment. Use powdered detergent for the main wash cycle.

NOTE: The Prewash and Auto Soak options cannot be selected in the same cycle.

Auto Soak

Use the Auto Soak option for loads of heavily soiled cotton, linen, polyester or nylon with set-in stains. During Auto Soak, water will be added to the drum and the laundry will be equally distributed by a short tumbling phase. Laundry will then be soaked by phases without drum movement. After soaking, the washer drains without spinning.

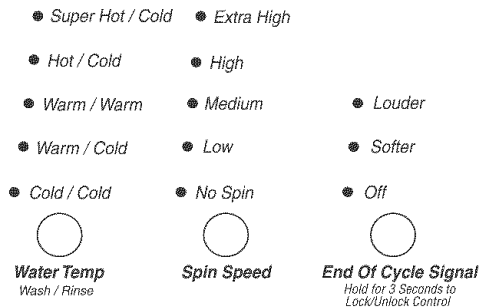
- Add detergent to both the Prewash and Main Wash compartments of the Dispenser Drawer.
- Use powdered detergent for the main wash cycle because liquid detergent will seep into the washer during Auto Soak.
- For cycles with Hot Wash Temperatures, the Soak temperature is set to WARM. Otherwise the Soak temperature is the same as the Wash Temperature.
- The Auto Soak and Prewash options cannot be selected in the same cycle.

Extra Rinse

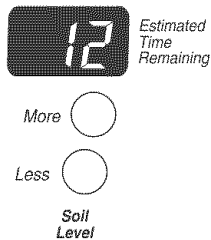
An extra rinse can be used to ensure the removal of detergent or bleach residue from garments. This option provides an additional rinse with the same water temperature as the first rinse.

Modifiers

Preset cycle settings of Water Temperature, Spin Speed, and Soil Level can be changed. You can change a modifier after starting a cycle anytime before the selected modifier begins. Not all modifiers are available with all cycles and options.



- To change the water temperature, select the WATER TEMP button until the desired setting glows.
- To change the spin speed, select the SPIN SPEED button until the desired setting glows.
- To change the loudness of the End of Cycle Signal, select END OF CYCLE SIGNAL.



- To change cycle time, select SOIL LEVEL button.

Wash/Rinse Temp

Select a water temperature based on the type of load you are washing. Use the warmest wash water safe for fabrics. Follow garment label instructions.

Warm rinses leave the loads dryer than cold rinses. Warm rinses increase wrinkling. In cold climates, a warm rinse makes the load more comfortable to handle. Cold rinses save energy.

Temperature Guide

Wash Water Temperature	Suggested Fabrics
SUPER HOT 153°F (67°C)	Sturdy colorfast fabrics Heavy soils
HOT 122°F (50°C) or above	Whites and pastels Heavy soils
WARM 104°F (40°C)	Bright colors Moderate to light soils
COLD 77°F (25°C)	Colors that bleed or fade Light soils

In wash water temperatures colder than 70°F (21°C), detergents do not dissolve well. Soils may be difficult to remove.

ACCUWASH™ Automatic Temperature Control

The ACCUWASH™ control electronically senses and maintains a uniform water temperature. ACCUWASH control regulates incoming hot and cold water. ACCUWASH control is automatically turned On when a cycle is selected. (See "Preset Cycle Settings" in "Cycles.")

- ACCUWASH control ensures consistent cleaning.
- ACCUWASH control works for all wash and rinse temperature settings.

Laundry Guide

Refer to this chart for suggested load types and their corresponding cycles. Listed to the right are the options available to each of these washer cycles.

CYCLE	SUGGESTED LOAD TYPE	AVAILABLE OPTIONS			
		Delay Wash	Prewash*	Auto Soak*	Extra Rinse
Sanitary	Heavily soiled underwear, towels, work clothes, diapers, etc.	✓	✓	✓	✓
Whitest Whites	Heavily soiled white fabrics	✓	✓	✓	✓
Heavy Duty	Heavily to normally soiled underwear, towels, shirts, etc.	✓	✓	✓	✓
Normal	Normally soiled blouses, shirts, overalls, etc., made of polyester, nylon, cotton, linen, or cotton blends	✓	✓	✓	✓
Bulky Items	Normally soiled blankets and comforters	✓	✓	✓	✓
Quick Wash	Lightly to normally soiled overalls and sports wear made of cotton, polyester, nylon and cotton blends	✓		✓	✓
Delicate/Casual	Use this cycle to wash no-iron fabrics and garments labeled "Permanent Press" or "Wrinkle Free" or that indicate using a "Gentle" cycle on the care label.	✓	✓	✓	✓
Silk	Fabrics made of silk identified as machine washable	✓			✓
Wool	Woolens with a felt-free finish, identified as machine washable	✓			✓
Hand Washables	Fabrics made of silk, special-care items marked "Handwashable"	✓			✓
Soak	Fabrics made of cotton, linen, polyester or nylon				
Rinse/Spin	Fabrics made of cotton, linen, polyester or nylon	✓			✓
Drain/Spin	Fabrics made of cotton, linen, polyester or nylon				

*Prewash and Auto Soak cannot be selected at the same time.

LAUNDRY TIPS

Preparing clothes for washing

Follow these recommendations to help you prolong the life of your garments.

- Close zippers, snaps, and hooks to avoid snagging other items. Remove pins, buckles, and other hard objects to avoid scratching the washer interior. Remove non-washable trim and ornaments.
- Empty pockets and turn them inside-out.
- Turn down cuffs; brush away lint and dirt.
- Turn synthetic knits inside-out to avoid pilling.
- Tie strings and sashes so they will not tangle.
- Mend tears, loose hems, and seams.
- Treat spots and stains.
- Stained or wet garments should be washed promptly for best results.

Sorting

- Separate heavily soiled items from lightly soiled ones, even if they would normally be washed together. Separate lint-givers (towels, chenille) from lint-takers (corduroy, synthetics, permanent press). When possible, turn lint-givers inside-out.
- Separate dark colors from light colors, colorfast items from noncolorfast items.
- Sort by fabric and construction (sturdy cottons, knits, delicate items).

Unloading

- Remove clothes from washer after the cycle is completed. Metal objects such as zippers, snaps, and buckles may rust if left in the washer basket for a long time.

Loading

Loading suggestions (maximum size loads).

Heavy Work Clothes

4 jeans	2 sweatpants
4 workpants	2 sweatshirts
4 workshirts	

Towels

10 bath towels	14 washcloths
10 hand towels	

Mixed Load

3 sheets (1 king, 2 twin)	9 T-shirts
4 pillowcases	9 shorts
3 shirts	10 handkerchiefs
3 blouses	

WASHER CARE

Cleaning Your Washer

Cleaning the exterior

Use a soft damp cloth or sponge to wipe up any spills. Occasionally wipe the outside of your washer to keep it looking new. Use mild soap and water. Do not use abrasive products.

Cleaning the interior

Use a soft damp cloth or sponge to occasionally wipe the inner door to remove any detergent residue. Use mild soap and water. Do not use abrasive products.

Cleaning the door seal

Use a soft damp cloth or sponge when necessary. Check the fold of the seal periodically for any foreign objects.

Cleaning the dispenser drawer

The dispenser drawer is removable for easy cleaning.

1. Unlock the dispenser drawer by pressing the Release Lever in the Prewash compartment. See "Using the Dispenser." Remove the drawer.
2. Remove the inserts (the siphon from the softener and bleach compartments and the separator).
3. Wash the parts under running water.
4. Replace the inserts and return the dispenser to the drawer.

Water Inlet Hoses

Replace inlet hoses after five years of use to reduce the risk of hose failure. Periodically inspect and replace inlet hoses if bulges, kinks, cuts, wear or leaks are found.

When replacing your inlet hoses, record the date of replacement.

Vacation, Storage, and Moving Care

Install and store your washer where it will not freeze. Because some water may stay in the hoses, freezing can damage your washer. If storing or moving your washer during freezing weather, winterize it.

Non-use or vacation care:

Operate your washer only when you are at home. If you will be on vacation or not using your washer for an extended period of time, you should:

- Unplug washer or disconnect power.
- Turn off the water supply to the washer. This helps avoid accidental flooding (due to a water pressure surge) while you are away.
- Slightly open door to provide ventilation.

To winterize washer:

1. Put 1 qt (1 L) of R.V.-type antifreeze in the drum.
2. Run washer on a DRAIN/SPIN cycle.
3. Unplug washer or disconnect power.
4. Shut off both water faucets.
5. Disconnect water inlet hoses from faucets and drain.

To use washer again:

1. Flush water pipes.
2. Reconnect water inlet hoses to faucets.
3. Turn on both water faucets.
4. Plug in washer or reconnect power.
5. Run the washer through the NORMAL cycle with ½ the normal recommended amount of HE detergent to clean out antifreeze.

To transport the washer:

1. If washer will be moved during freezing weather, put in 1 qt (1 L) of R.V.-type antifreeze in the drum. Run washer on a DRAIN/SPIN cycle.
2. Unplug the power cord.
3. Disconnect the drain hose from the drain system and attach to rear panel clips.
4. Shut off both water faucets.
5. Disconnect the water inlet hoses from faucets, then drain the hoses and clip them to the rear panel of the washer.
6. **IMPORTANT:** Call service. Do not reuse transport bolts. Unit must be transported in the upright position.

Reinstalling the washer

1. Follow the "Installation Instructions" to locate, level and connect the washer.
2. Run the washer through the NORMAL cycle with ½ the normal recommended amount of HE detergent to clean the washer and remove the antifreeze, if used.

TROUBLESHOOTING

First try the solutions suggested here to possibly avoid the cost of a service call...

Washer displaying code message and tone sounds

- **“FH” (Water Inlet Problem—no water or insufficient water supply)**

Select PAUSE/CANCEL twice to cancel the cycle. Unplug washer or disconnect power.

Check the following:

Are water faucets completely turned on?

Are screens at inlet hose connection to washer clogged?

Are water inlet hoses kinked?

Are water inlet hoses frozen?

Plug in washer or reconnect power. Re-select cycle and press HOLD TO START. If the problem remains, call for service.

- **“F02” (Drain Problem)**

Select PAUSE/CANCEL twice to cancel the cycle. Unplug washer or disconnect power.

Check the following:

Is the drain hose kinked?

Is the drain hose frozen?

Is the drain hose clogged?

Is the drain hose more than 96 in. (2.4 m) above the floor?

- **“SUD” (Suds Routine)**

When excessive suds are detected, a suds routine automatically starts. This routine removes extra suds and assures proper rinsing of your garments. “SUD” is displayed during rinsing and at the end of the cycle to inform you that Suds Routine was activated. To avoid excessive sudsing, use only HE detergents.

- **“F” Variables [F4 to F16] (Electrical Problem)**

Select PAUSE/CANCEL twice to cancel the cycle. Select DRAIN/SPIN if there is excessive water in the washer.

Re-select cycle and press HOLD TO START. If the problem remains, call for service.

Washer won't start

- **Check the following:**

Is the power cord plugged into a grounded 3 prong outlet?

Is the washer door firmly closed?

Has a cycle been selected, but HOLD TO START has not been selected and held for one second?

Was the door open after completion of last cycle?

Washer won't fill, wash or rinse

- **Check the following:**

Is the power cord plugged into a grounded 3 prong outlet?

Is there power at the plug? Check electrical source or call electrician.

Are the hot and cold water faucets turned on?

Is the water inlet hose kinked?

Are the water inlet valve screens clogged?

Washer stops

- **Check the following:**

Is the power cord plugged into a grounded 3 prong outlet?

Is there power at the plug?

Check electrical source or call electrician.

Has a fuse blown or has the circuit breaker tripped?

If problem continues, call electrician.

Are you using an extension cord?

Do not use an extension cord.

Washer won't drain or spin

- **Is the drain hose clogged, or the end of the drain hose more than 96 in. (2.4 m) above the floor?**

- **Is your voltage low?**

Check electrical source or call electrician. Do not use an extension cord.

- **Is the “SUD” routine active?**

Cycle will complete once extra suds are removed.

- **Is the load balanced?**

A single or bulky item may cause imbalance. Add more items or redistribute the load.

Washer makes noise or vibrates

- **Is the washer level?**

The washer must be level. The four feet should be properly installed, and the nuts should be tightened against the washer cabinet.

As water is drained from the washer, you may hear air being pulled through the pump. This happens during the end of draining. It is normal.

- **Are you washing items with metal snaps, buckles or zippers?**

You may hear metal items touching the washer drum. This is normal.

- **Is washer installed on a sturdy and solid floor?**

Refer to the “Installation Instructions” for flooring requirements. Noise and vibration may be reduced by placing a piece of ¾ in. (19.1 mm) plywood underneath your washer. The plywood may extend underneath both washer and dryer to keep them at equal heights.

Washer leaks

- **Check household plumbing for leaks.**

Dispensers clogged or leaking

- **Are the laundry products in the correct dispenser compartment?**
Add the correct amounts of detergent, fabric softener or liquid chlorine bleach to the correct compartments. Add powdered or liquid color-safe bleach to the Main Wash compartment. Be sure to match powdered color-safe bleach with powdered detergent or match liquid color-safe bleach with liquid detergent.
- **Is the detergent separator in the correct position?**
Separator should be in the front position when using liquid detergent and in the back position when using powdered detergent.

Load too wet

- **Did you use the right cycle for the load being washed?**
Select a cycle with a higher spin speed.
- **Did you wash a single item or bulky items or have you overloaded the washer?**
A single item, bulky items, or overloading may cause imbalance. Add items or try to evenly distribute your wet laundry in the drum, and start a DRAIN/SPIN cycle. If the laundry is still wet, take half of the load out of the washer and try again.

Residue or lint on load

- **Did you add detergent to the dispenser?**
For best results, add detergent to the detergent compartment. Do not add detergent to the washer drum.
- **Did you sort properly?**
Sort lint givers (towels, chenille) from lint takers (corduroy, synthetics). Also sort by color.
- **Did you overload the washer?**
Do not overload the washer. The washer can be fully loaded, but not tightly packed. The wash load must be balanced. Lint can be trapped in the load if overloaded.
- **Check the following:**
Was paper or tissue left in pockets?
- **Did you use enough detergent?**
Follow manufacturer's directions. Use enough detergent to hold the lint in the water.
- **Is your water colder than 70°F (21°C)?**
Wash water colder than 70°F (21°C) may not completely dissolve the detergent.
- **Are you using a low speed wash cycle?**
Powdered detergents may not dissolve well in a slow speed cycle. For best results, use liquid detergent for slow speed cycles such as Delicate/Casual, Silk, Wool, and Hand Washables.

Stains on load

- **Did you add detergent to the dispenser?**
For best results, add detergent to the detergent compartment. Do not add detergent to the washer drum.
- **Did you use enough detergent?**
Use enough detergent to remove soil and hold it in suspension. For best performance, use a High Efficiency detergent. Follow manufacturer's recommendations for the type of load you are washing.

- **Is there above average iron (rust) in water?**
You may need to install an iron filter.
- **Did you properly sort the load?**
Sort dark clothes from whites and lights.
- **Did you unload the washer promptly?**
To avoid dye transfer, unload the washer as soon as it stops.
- **Did you use a fabric softener dispensing ball?**
Dispensing balls will not operate correctly with this washer. Add liquid fabric softener to the fabric softener compartment.
- **Did you use powdered detergent in a low-speed cycle?**
Consider using liquid detergent.
- **Did you use Quick Wash on a large load?**
For best results, use Quick Wash for small, lightly soiled loads.

Load is wrinkled

- **Did you unload the washer promptly?**
Unload the washer as soon as it stops.
- **Did you use the right cycle for the load being washed?**
Use the Delicate/Casual cycle or another cycle with a low spin speed to reduce wrinkling.
- **Did you overload the washer?**
The wash load must be balanced and not overloaded. Loads should tumble freely during washing.

Gray whites, dingy colors

- **Did you properly sort the load?**
Dye transfer can occur when mixing whites and colors in a load. Sort dark clothes from whites and lights.
- **Was the wash temperature too low?**
Use hot or warm washes if safe for the load. Make sure your hot water system is adequate to provide a hot water wash.
- **Did you use enough detergent, or do you have hard water?**
Use more detergent for washing heavy soils in cold or hard water.

Cycle too long

- **Did you choose the Sanitary cycle?**
The heater will be activated to provide maximum cleaning performance. Additional time will be added to the regular cycle to heat the water. This additional time will depend on the load size and the hot water inlet temperature.
- **Is "SUD" shown in the display?**
Excessive sudsing has been detected and a suds routine has been started to destroy excessive suds. This routine will add time to the original cycle.
- **Did the load cause imbalance?**
When too much imbalance occurs, an imbalance routine will start to redistribute the load. This routine will add time to your original cycle.

Door locked at end of wash cycle

- **Did all of the water drain out of the washer during the spin?**
Select DRAIN/SPIN to remove any water remaining in the washer. The washer door will unlock at the end of the drain.

ASSISTANCE OR SERVICE

Before calling for assistance or service, please check "Troubleshooting." It may save you the cost of a service call. If you still need help, follow the instructions below.

When calling, please know the purchase date and the complete model and serial number of your appliance. This information will help us to better respond to your request.

If you need replacement parts

If you need to order replacement parts, we recommend that you only use FSP® factory specified parts. These parts will fit right and work right because they are made with the same precision used to build every new WHIRLPOOL® appliance.

To locate FSP replacement parts in your area:

In the U.S.A., call the Customer Interaction Center at **1-800-253-1301**, or your nearest designated service center.

In Canada, call **1-800-807-6777**, or your nearest designated service center.

In the U.S.A.

Call the Whirlpool Customer Interaction Center toll free: **1-800-253-1301**.

Our consultants provide assistance with:

- Features and specifications on our full line of appliances
- Installation information
- Use and maintenance procedures
- Accessory and repair parts sales
- Specialized customer assistance (Spanish speaking, hearing impaired, limited vision, etc.)
- Referrals to local dealers, repair parts distributors, and service companies

Whirlpool designated service technicians are trained to fulfill the product warranty and provide after-warranty service anywhere in the United States.

To locate the Whirlpool designated service company in your area, you can also look in your telephone directory Yellow Pages.

For further assistance

If you need further assistance, you can write to Whirlpool Corporation with any questions or concerns at:

Whirlpool Brand Home Appliances
Customer Interaction Center
553 Benson Road
Benton Harbor, MI 49022-2692

Please include a daytime phone number in your correspondence.

In Canada

Call the Whirlpool Canada Inc. Customer Interaction Center toll free:

1-800-461-5681 Monday to Friday 8:00 a.m. - 6:00 p.m. (EST).
Saturday 8:30 a.m. - 4:30 p.m. (EST).

Our consultants provide assistance with:

- Features and specifications on our full line of appliances
- Referrals to local dealers

For service in Canada

Call **1-800-807-6777**. Whirlpool Canada Inc. designated service technicians are trained to fulfill the product warranty and provide after-warranty service anywhere in Canada.

For further assistance

If you need further assistance, you can write to Whirlpool Canada Inc. with any questions or concerns at:

Customer Interaction Center
Whirlpool Canada Inc.
1901 Minnesota Court
Mississauga, Ontario L5N 3A7

Please include a daytime phone number in your correspondence.

WHIRLPOOL® WASHER WARRANTY

ONE-YEAR FULL WARRANTY

For one year from the date of purchase, when this washer is operated and maintained according to instructions attached to or furnished with the product, Whirlpool Corporation will pay for FSP® replacement parts and repair labor costs to correct defects in materials or workmanship. Service must be provided by a Whirlpool designated service company.

SECOND YEAR LIMITED WARRANTY ON ALL ELECTRONIC CONTROL BOARDS

For the second year from the date of purchase, when this washer is operated and maintained according to instructions attached to or furnished with the product, Whirlpool Corporation will pay for FSP® replacement parts for all electronic control boards.

SECOND THROUGH FIFTH YEAR LIMITED WARRANTY ON PORCELAIN OR POWDER TOP, DRIVE SYSTEM BELT AND PULLEYS

In the second through fifth years from the date of purchase, when this washer is operated and maintained according to instructions attached to or furnished with the product, Whirlpool Corporation will pay for FSP® replacement parts for the following, if defective in materials or workmanship: porcelain or powder top (against chipping and rust); drive system belt and pulleys.

SECOND THROUGH TENTH YEAR LIMITED WARRANTY ON OUTER TUB

In the second through tenth years from the date of purchase, when this washer is operated and maintained according to instructions attached to or furnished with the product, Whirlpool Corporation will pay for FSP® replacement parts for the outer tub should it crack or fail to contain water, if defective in materials or workmanship.

LIFETIME LIMITED WARRANTY ON STAINLESS STEEL WASH DRUM

For the lifetime of the washer, when this washer is operated and maintained according to instructions attached to or furnished with the product, Whirlpool Corporation will pay for FSP® replacement parts for the Stainless Steel wash drum if defective in materials or workmanship.

Whirlpool Corporation will not pay for:

1. Service calls to correct the installation of your washer, to instruct you how to use your washer, or to replace house fuses or correct house wiring or plumbing.
 2. Repairs when your washer is used in other than normal, single-family household use.
 3. Damage resulting from accident, alteration, misuse, abuse, fire, flood, acts of God, improper installation, installation not in accordance with local electrical and plumbing codes, or use of products not approved by Whirlpool Corporation or Whirlpool Canada Inc.
 4. Any labor costs during the limited warranty periods.
 5. Replacement parts or repair labor costs for units operated outside the United States and Canada.
 6. Pickup and delivery. This product is designed to be repaired in the home.
 7. Repairs to parts or systems resulting from unauthorized modifications made to the appliance.
 8. In Canada, travel or transportation expenses for customers who reside in remote areas.
-

WHIRLPOOL CORPORATION AND WHIRLPOOL CANADA INC. SHALL NOT BE LIABLE FOR INCIDENTAL OR CONSEQUENTIAL DAMAGES.

Some states and provinces do not allow the exclusion or limitation of incidental or consequential damages, so this exclusion or limitation may not apply to you. This warranty gives you specific legal rights and you may also have other rights which vary from state to state or province to province.

Outside the 50 United States and Canada, this warranty does not apply. Contact your authorized Whirlpool dealer to determine if another warranty applies.

If you need service, first see "Troubleshooting." Additional help can be found by checking "Assistance or Service," or call our Customer Interaction Center at **1-800-253-1301** from anywhere in the U.S.A. or write: Whirlpool Corporation, Customer Interaction Center, 553 Benson Road, Benton Harbor, MI 49022-2692. In Canada, call Whirlpool Canada Inc. at **1-800-807-6777**. 5/01

Keep this book and your sales slip together for future reference. You must provide proof of purchase or installation date for in-warranty service.

Write down the following information about your washer to better help you obtain assistance or service if you ever need it. You will need to know your complete model number and serial number. You can find this information on the model and serial number label/plate, located on your appliance.

Dealer name _____
Address _____
Phone number _____
Model number _____
Serial number _____
Purchase date _____



SÉCURITÉ DE LA LAVEUSE

Votre sécurité et celle des autres est très importante.

Nous donnons de nombreux messages de sécurité importants dans ce manuel et sur votre appareil ménager. Assurez-vous de toujours lire tous les messages de sécurité et de vous y conformer.



Voici le symbole d'alerte de sécurité.

Ce symbole d'alerte de sécurité vous signale les dangers potentiels de décès et de blessures graves à vous et à d'autres.

Tous les messages de sécurité suivront le symbole d'alerte de sécurité et le mot "DANGER" ou "AVERTISSEMENT". Ces mots signifient :

⚠ DANGER

Risque possible de décès ou de blessure grave si vous ne suivez pas immédiatement les instructions.

⚠ AVERTISSEMENT

Risque possible de décès ou de blessure grave si vous ne suivez pas les instructions.

Tous les messages de sécurité vous diront quel est le danger potentiel et vous disent comment réduire le risque de blessure et ce qui peut se produire en cas de non-respect des instructions.

IMPORTANTES INSTRUCTIONS DE SÉCURITÉ

AVERTISSEMENT : Pour réduire les risques d'incendie, de choc électrique ou de blessures lors de l'utilisation de la laveuse, suivre les précautions fondamentales dont les suivantes :

- Lire toutes les instructions avant d'utiliser la laveuse.
- Ne pas laver des articles qui ont été nettoyés ou lavés avec de l'essence ou imbibés d'essence, solvants de nettoyage à sec, ou autres substances inflammables ou explosives; ces substances peuvent émettre des vapeurs susceptibles de s'enflammer ou d'exploser.
- Ne pas ajouter d'essence, solvant de nettoyage à sec ou autre produit inflammable ou explosif dans l'eau de lavage. Ces substances peuvent émettre des vapeurs susceptibles de s'enflammer ou d'exploser.
- Dans certaines conditions, de l'hydrogène gazeux peut se former dans un circuit d'eau chaude qui n'a pas été utilisé pendant 2 semaines ou plus. LE GAZ HYDROGÈNE EST EXPLOSIBLE. Si le circuit d'eau chaude n'a pas été utilisé pendant une telle période, avant d'utiliser la laveuse, ouvrir tous les robinets d'eau chaude et laisser l'eau s'écouler pendant plusieurs minutes par chaque robinet. Ceci permettra l'évacuation de l'hydrogène gazeux accumulé. Comme ce gaz est inflammable, ne pas fumer ou utiliser une flamme nue au cours de cette période.
- Ne pas laisser des enfants jouer sur ou à l'intérieur de la laveuse. Bien surveiller les enfants lorsque la laveuse est utilisée à proximité d'enfants.
- Avant de mettre la laveuse au rebut ou hors de service, enlever la porte ou le couvercle.
- Ne pas tenter d'atteindre un article à l'intérieur de la cuve de la laveuse lorsque le tambour, la cuve ou l'agitateur est en mouvement.
- Ne pas installer ou remiser cette laveuse à un endroit où elle serait exposée aux intempéries.
- Ne pas modifier les organes de commande.
- Ne pas réparer ou remplacer un composant quelconque de la laveuse, ni entreprendre une opération de service, si ce n'est spécifiquement recommandé dans ce manuel ou dans un manuel d'instructions de réparations destiné à l'utilisateur; il est alors essentiel que la personne concernée comprenne ces instructions et soit compétente pour les exécuter.
- Voir "Spécifications électriques" pour les instructions de liaison à la terre.

CONSERVEZ CES INSTRUCTIONS

EXIGENCES D'INSTALLATION

Outils et pièces

Assembler les outils et les fournitures nécessaires avant de commencer l'installation de la laveuse. Les pièces fournies se trouvent dans le tambour de la laveuse.

Outils nécessaires pour raccorder les tuyaux d'arrivée d'eau

- Pincettes (ouverture jusqu'à 1 $\frac{1}{16}$ po [39,5 mm])
- Lampe de poche (facultative)

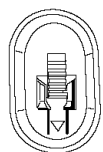
Outils nécessaires pour l'installation

- Clé à bout ouvert de 17 mm et de 13 mm
- Niveau
- Bloc de bois (2 po x 4 po)
- Mètre ou ruban à mesurer

Pièces fournies :



Courroie perlée



Bouchon du trou du boulon de transport (4)

Autres pièces

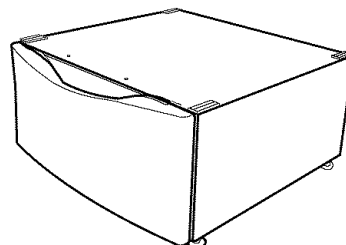
Votre installation peut nécessiter des pièces supplémentaires. Si vous désirez acheter l'un des articles indiqués ici, composez sans frais le numéro sur la couverture ou dans la section "Assistance ou service".

Si vous avez	Il faudra acheter
Évier de buanderie ou tuyau de rejet à l'égout plus haut que 96 po (2,4 m)	Système de pompe de puisard (si non déjà disponible)
Égout surélevé	Évier de vidange standard de 20 gal (76 L), de 30 po (76,2 cm) ou évier utilitaire et pompe de puisard (disponibles de votre fournisseur local d'articles de plomberie)
Égout au plancher	Brise-siphon, pièce n° 285834; tuyau de vidange additionnel, pièce n° 8318155; et trousse de connexion, pièce n° 285835
Tuyau de vidange trop court	Trousse de rallonge de tuyau de 4 pieds d'écoulement, pièce n° 285863
Robinets d'eau éloignés du tuyau d'entrée d'eau	2 tuyaux plus longs de remplissage d'eau : 6 pi (1,8 m) pièce n° 76314, 10 pi (3,0 m) pièce n° 350008

Facultatif

Piédestal

Installez-vous la laveuse sur un piédestal? Vous pouvez acheter un piédestal séparément pour cette laveuse. Ce piédestal ajoutera environ 13 po (33 cm) à la hauteur de la laveuse pour une hauteur totale d'environ 51 po (130 cm).



Piédestal facultatif

Pour le commander, téléphoner au marchand chez qui vous avez acheté la laveuse ou se référer à la section "Assistance ou service" de ce manuel. Demander le numéro de modèle LAB2700MQ (blanc), LAB2700MT (bisque) ou LAB2700ML (étain).

Ensemble de superposition

Prévoyez-vous de superposer votre laveuse et votre sècheuse DUET®? Pour ce faire, vous devrez acheter un ensemble de superposition.

Pour commander, téléphoner au marchand chez qui vous avez acheté votre sècheuse ou se référer à la section "Assistance ou service" de ce manuel. Demander la pièce numéro 8541503.

Exigences d'emplacement

Le choix d'un emplacement approprié pour la laveuse en améliore le rendement et réduit au minimum le bruit et le "déplacement" possible de la laveuse.

La laveuse peut être installée dans un sous-sol, une salle de buanderie, un placard, un encastrement ou sur mesure sous un comptoir. (Voir "Système de vidange").

Les exigences d'un emplacement pour les appareils connexes doivent être également considérées. Il vous incombe d'assurer une installation appropriée.

Il vous faudra

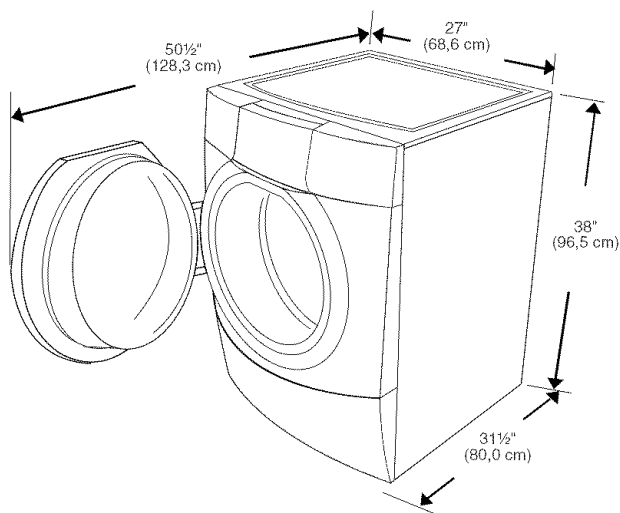
- Un chauffe-eau pour fournir de l'eau à 120°F (49°C) à la laveuse.
- Une prise électrique reliée à la terre située à moins de 5 pi (1,5 m) de la prise du cordon électrique se trouvant à l'arrière de la laveuse. (Voir "Spécifications électriques").
- Des robinets d'eau chaude et d'eau froide situés à moins de 4 pi (1,2 m) des robinets de remplissage d'eau chaude et d'eau froide, et une pression d'eau de 20-100 lb/po² (137,9-689,6 kPa).
- Un plancher à niveau ayant une pente maximale de 1 po (2,5 cm) sous toute la laveuse. L'installation de la laveuse sur du tapis n'est pas recommandée.
- Un plancher robuste et solide pour supporter la laveuse dont le poids total (eau et charge) est de 400 lb (180 kg).

Ne pas faire fonctionner la laveuse à des températures au-dessous de 32°F (0°C). Une quantité d'eau peut demeurer dans la laveuse et causer des dommages à des températures basses.

E spacements d'installation

- L'emplacement doit être assez grand pour permettre d'ouvrir complètement la porte de la laveuse.
- On doit prévoir un peu plus d'espace pour faciliter l'installation et l'entretien.
- Un espace supplémentaire peut être requis pour les moulures de porte et de plancher et pour les plinthes.
- Un espace supplémentaire de 1 po (2,5 cm) de tous les côtés de la laveuse est recommandé pour réduire le transfert du bruit.
- Il faut aussi tenir compte de l'espace requis pour des appareils connexes.

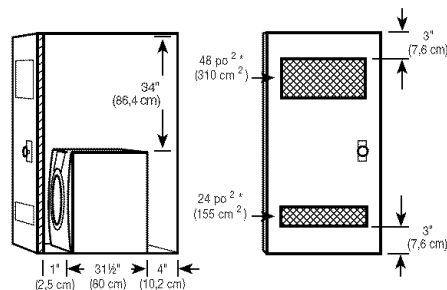
Dimensions de la laveuse



E spacement recommandé pour une installation dans un encastrement ou dans un placard, avec ou sans piédestal

Les dimensions indiquées sont pour l'espace recommandé.

Installation dans un encastrement ou placard

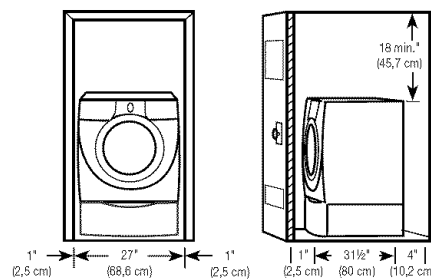


1

2

1. Vue latérale - placard ou endroit exigü
2. Porte de placard avec orifices d'entrée d'air

Installation dans un encastrement ou placard - laveuse sur piédestal



1

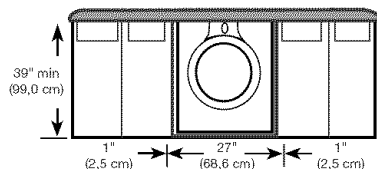
2

1. Encastrement
2. Vue latérale - placard ou endroit exigü

E spacement recommandé pour une installation personnalisée sous un comptoir

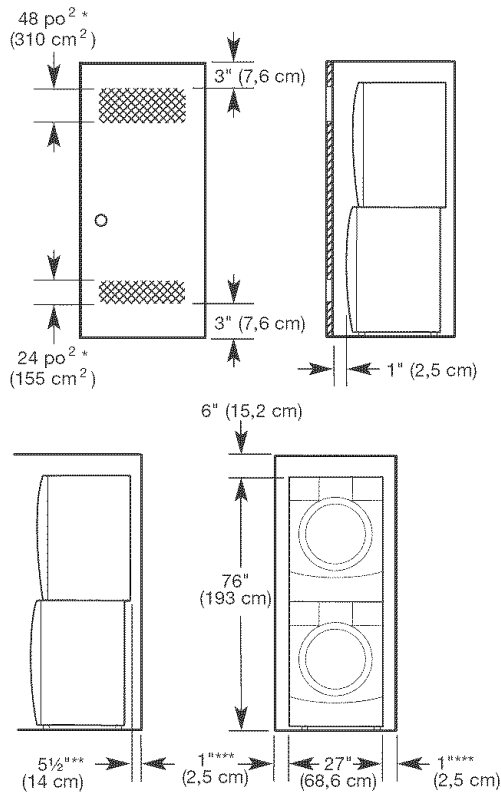
Les dimensions indiquées sont pour l'espace recommandé.

Installation personnalisée sous un comptoir - laveuse seulement



E spacement recommandé pour une installation dans un encastrement ou dans un placard, avec une laveuse et une sècheuse superposées

Les dimensions indiquées sont pour l'espace recommandé.



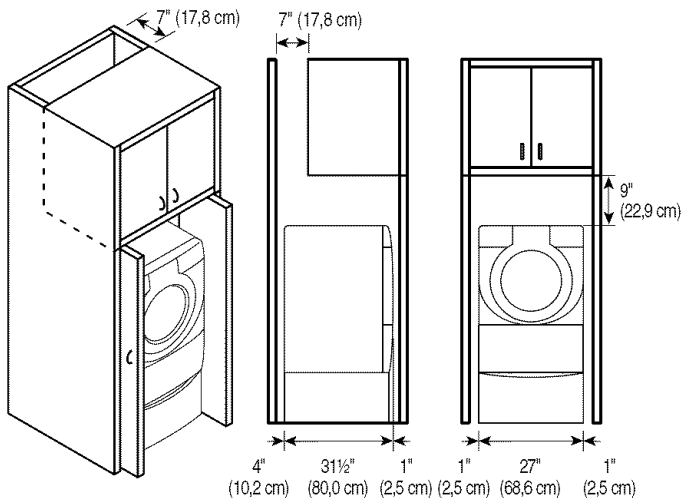
*Orifices d'entrée d'air min. supérieurs et inférieurs pour porte de placard.

**Espace supplémentaire nécessaire pour coude d'évacuation externe.

***Un espace supplémentaire peut être nécessaire pour les moulures de mur, porte et plancher.

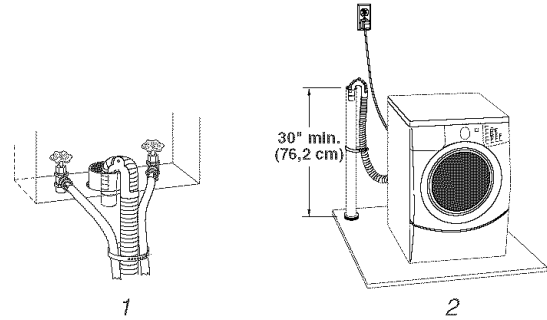
Espace recommandé pour l'installation de la caisse

- Les dimensions indiquées sont pour l'espace recommandé.
- Pour installation de la caisse avec porte, on doit prévoir des ouvertures minimum d'entrée d'air au sommet de la caisse.



Système de vidange

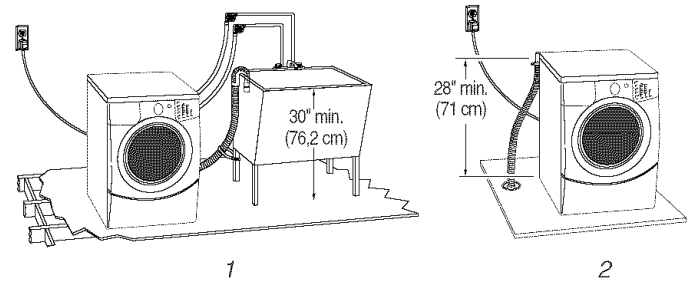
La laveuse peut être installée en utilisant le système de rejet à l'égout (au plancher ou mural), le système de vidange de l'évier ou le système de vidange au plancher. Sélectionner la méthode d'installation du tuyau de vidange selon les besoins. (Voir "Outils et pièces").



Système de rejet à l'égout - mural ou au plancher (Vues 1 et 2)

Le système de rejet à l'égout nécessite un tuyau de diamètre minimum de 2 po (5 cm). La capacité minimale d'acheminement ne doit pas être de moins de 17 gal (64 L) par minute.

Le sommet du tuyau de vidange doit être d'au moins 30 po (76,2 cm) de haut et au maximum à 96 po (2,4 m) de la base de la laveuse.



Système de vidange de l'évier de buanderie (Vue 1)

L'évier de buanderie doit avoir une capacité minimale de 20 gal (76 L). Le sommet de l'évier doit être à au moins 30 po (76,2 cm) au-dessus du plancher.

Système de vidange au plancher (Vue 2)

Le système de vidange au plancher exige un brise-siphon qui peut être acheté séparément. (Voir "Outils et pièces".)

Le brise-siphon doit être à un minimum de 28 po (71 cm) de la base de la laveuse. D'autres tuyaux peuvent être requis.

Spécifications électriques

⚠️ AVERTISSEMENT



Risque de choc électrique

Brancher sur une prise à 3 alvéoles reliée à la terre.

Ne pas enlever la broche de liaison à la terre.

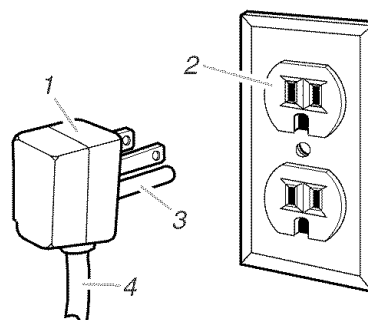
Ne pas utiliser un adaptateur.

Ne pas utiliser un câble de rallonge.

Le non-respect de ces instructions peut causer un décès, un incendie ou un choc électrique.

- Une alimentation électrique de 120 volts, 60 Hz, CA seulement, de 15 ou 20 ampères, protégée par un fusible est requise. Un fusible temporisé ou disjoncteur est recommandé. Il est recommandé d'utiliser un circuit distinct pour alimenter seulement cet appareil.
- Cette laveuse est dotée d'un cordon d'alimentation avec fiche de branchement à 3 broches pour liaison à la terre.
- Pour minimiser le risque de choc électrique, le cordon doit être branché sur une prise de courant de configuration correspondante (3 alvéoles) reliée à la terre, conformément aux codes et règlements locaux. Si une prise de configuration correspondante n'est pas disponible, c'est au client qu'incombe la responsabilité et l'obligation personnelle de faire installer par un électricien qualifié une prise convenablement mise à la terre.
- Si les codes le permettent et si un conducteur distinct de mise à la terre est utilisé, il est recommandé qu'un électricien qualifié détermine que la liaison à la terre est adéquate.
- Ne pas effectuer de liaison à la terre sur une canalisation de gaz.
- En cas de doute concernant la qualité de la liaison à la terre de la laveuse, vérifier auprès d'un électricien qualifié.

- Ne pas utiliser un fusible dans le circuit neutre ou de liaison à la terre.



1. Fiche à 3 broches reliée à la terre
2. Prise murale à 3 alvéoles reliée à la terre
3. Tige de liaison à la terre
4. Cordon d'alimentation électrique

INSTRUCTIONS DE LIAISON À LA TERRE

Pour une laveuse reliée à la terre et connectée par un cordon :

Cette laveuse doit être reliée à la terre. En cas d'anomalie de fonctionnement ou de panne, la liaison à la terre réduira le risque de choc électrique en offrant au courant électrique un itinéraire d'évacuation de moindre résistance. Cette laveuse est alimentée par un cordon électrique comportant un conducteur relié à la terre et une fiche de branchement munie d'une broche de liaison à la terre. La fiche doit être branchée sur une prise de courant appropriée qui est bien installée et reliée à la terre conformément à tous les codes et règlements locaux.

AVERTISSEMENT : Le raccordement incorrect de cet appareil au conducteur de liaison à la terre peut susciter un risque de choc électrique. En cas de doute quant à la qualité de la liaison à la terre de l'appareil, consulter un électricien ou technicien d'entretien qualifié.

Ne pas modifier la fiche de branchement fournie avec l'appareil – si la fiche ne correspond pas à la configuration de la prise de courant, demander à un électricien qualifié d'installer une prise de courant convenable.

Pour une laveuse raccordée en permanence :

Cette laveuse doit être raccordée à un système de câblage permanent en métal relié à la terre ou un conducteur relié à la terre doit être en fonction avec les conducteurs de circuit et raccordés à la borne de liaison à la terre ou la borne sur l'appareil ménager.

INSTRUCTIONS D'INSTALLATION

Enlèvement du système de transport

AVERTISSEMENT

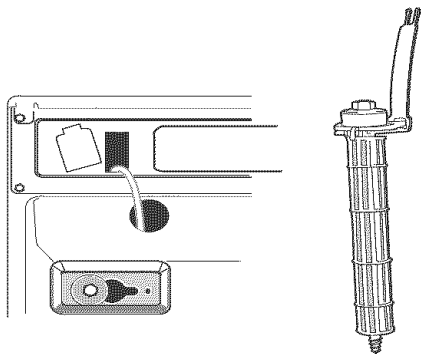
Risque du poids excessif

Utiliser deux ou plus de personnes pour déplacer et installer la laveuse.

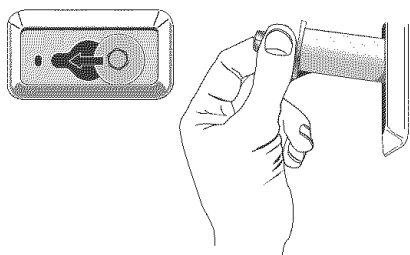
Le non-respect de cette instruction peut causer une blessure au dos ou d'autre blessure.

IMPORTANT : Positionner la laveuse de sorte que l'arrière de la machine soit à environ 3 pi (90 cm) de l'emplacement final.

On trouve sur le panneau arrière de la laveuse 4 boulons qui supportent le système de suspension durant le transport. Ces boulons retiennent également le cordon d'alimentation dans la laveuse jusqu'à ce qu'ils soient enlevés.



1. Au moyen d'une clé de 13 mm, desserrer chacun des boulons.
2. Une fois le boulon desserré, le déplacer au centre du trou et retirer complètement le boulon, y compris la cale d'espacement en plastique couvrant le boulon et le câble fixé au boulon. Le cordon d'alimentation sera fixé aux 4 boulons.



3. Lorsque les 4 boulons sont retirés, tirer le cordon d'alimentation par l'ouverture du panneau arrière et boucher le trou avec le cache fixé.
4. Obturer les trous avec les bouchons des boulons de transport.

REMARQUE : Si la laveuse doit être transportée plus tard, appeler votre centre de service local.

Raccordement des tuyaux d'alimentation

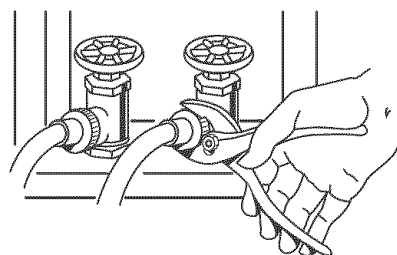
Connecter les tuyaux d'alimentation aux robinets

S'assurer que le tambour de la laveuse est vide.

1. Avec une pince, vérifier le serrage des raccords de tuyaux déjà joints à la laveuse.

REMARQUE : Ne pas serrer excessivement. Le raccord risque d'être endommagé.

2. Raccorder le tuyau à indicateur rouge au robinet d'eau chaude. Visser complètement le raccord à la main pour qu'il comprime le joint.
3. Raccorder le tuyau à indicateur bleu au robinet d'eau froide. Visser complètement le raccord à la main pour qu'il comprime le joint.
4. Terminer le serrage des raccords – deux tiers de tour avec une pince.



REMARQUE : Ne pas serrer excessivement. Le raccord risque d'être endommagé.

5. Ouvrir les robinets d'eau et vérifier s'il y a des fuites.

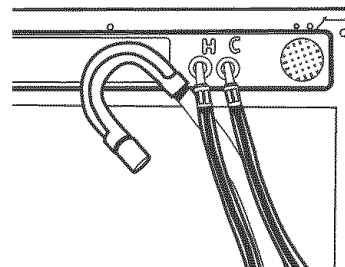
REMARQUE : Remplacer les tuyaux d'arrivée d'eau après 5 ans d'utilisation pour réduire le risque de défaillance intempestive. Prendre note de la date d'installation ou de remplacement des tuyaux d'arrivée d'eau, pour référence ultérieure.

Inspecter périodiquement les tuyaux; les remplacer en cas de renflement, de déformations, de coupures, d'usure ou si une fuite se manifeste.

Acheminement du tuyau de vidange

Le bon acheminement du tuyau de vidange protège vos planchers contre les dommages imputables à une fuite d'eau. Lire et suivre attentivement ces instructions.

Le tuyau de vidange est raccordé à la laveuse.



Pour empêcher l'eau de vidange de refluer dans la laveuse :

- Ne pas redresser le tuyau de vidange ni forcer l'excédent de tuyau dans le tuyau de rejet à l'égout. Le tuyau doit être bien immobilisé, tout en permettant le passage d'air.

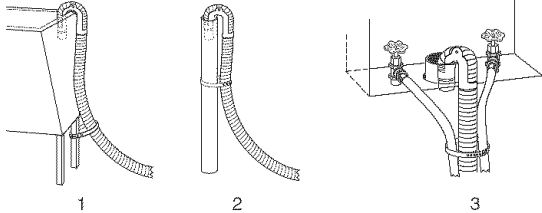
- Ne pas mettre l'excédent du tuyau de vidange au fond de l'évier de buanderie.

Égout au plancher

Il vous faudra peut-être des pièces supplémentaires. (Voir Égout au plancher dans "Autres pièces".)

Immobilisation du tuyau de vidange

1. Faire passer le cordon d'alimentation par-dessus la laveuse.
2. Fixer le tuyau de vidange au pied de l'évier de buanderie ou au tuyau rigide de rejet à l'égout avec la courroie perlée. (Voir les illustrations 1 et 2.)



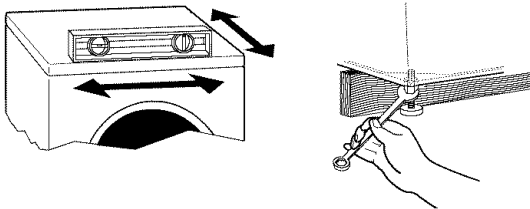
Si les robinets d'eau et le tuyau rigide de rejet à l'égout sont placés en retrait (voir l'illustration 3), introduire l'extrémité en col de cygne du tuyau de vidange dans le tuyau rigide de rejet à l'égout. Attacher fermement les tuyaux d'arrivée d'eau et le tuyau de vidange ensemble, avec la courroie perlée.

Ne pas forcer l'excédent du tuyau de vidange dans le tuyau rigide de rejet à l'égout.

Réglage de l'aplomb de la laveuse

Un bon aplomb de la laveuse minimisera le bruit et les vibrations.

1. Vérifier l'aplomb de la laveuse en plaçant un niveau sur le bord de la table, transversalement, puis dans le sens avant arrière.



Si la laveuse est contre un mur, la déplacer légèrement avant de l'incliner vers l'arrière. Si la laveuse n'est pas d'aplomb, soulever d'abord l'avant avec un bloc de bois (2 x 4 po) et ajuster le déploiement des pieds selon le besoin, puis soulever l'arrière et ajuster le déploiement des pieds selon le besoin. Répéter ceci jusqu'à l'aplomb parfait de la laveuse.

2. Après avoir réglé l'aplomb de la laveuse, utiliser une clé plate de 17 mm pour visser les écrous sur les pieds fermement contre la caisse de la laveuse.

Les 4 pieds doivent être bien serrés. Si les écrous ne sont pas bloqués contre la caisse de la laveuse, la laveuse peut vibrer.

3. Faire glisser la laveuse à son emplacement final.
4. Confirmer l'aplomb de la laveuse.

Achever l'installation

1. Consulter les spécifications de l'installation électrique. Vérifier que la tension électrique disponible est correcte et que la prise de courant est convenablement reliée à la terre. (Voir "Spécifications électriques").
2. Vérifier que toutes les pièces sont installées. S'il reste une pièce, passer en revue les différentes étapes pour découvrir laquelle aurait été oubliée.
3. S'assurer d'avoir tout l'outillage.
4. Jeter ou recycler tout le matériel d'emballage.
5. Vérifier que chaque robinet d'arrivée d'eau est ouvert.
6. Vérifier s'il y a des fuites autour des robinets et des tuyaux d'arrivée d'eau.

⚠ AVERTISSEMENT



Risque de choc électrique

Brancher sur une prise à 3 alvéoles reliée à la terre.

Ne pas enlever la broche de liaison à la terre.

Ne pas utiliser un adaptateur.

Ne pas utiliser un câble de rallonge.

Le non-respect de ces instructions peut causer un décès, un incendie ou un choc électrique.

7. Brancher sur une prise à 3 alvéoles reliée à la terre.
8. Lire "Utilisation de la laveuse".
9. Pour tester et nettoyer la laveuse, mesurer ½ de la quantité normale recommandée de détergent en poudre ou liquide Haute efficacité (HE). Verser le détergent dans le distributeur de détergent. Sélectionner NORMAL, puis HOLD TO START (Mise en marche). Laisser la machine exécuter le programme complet.

CARACTÉRISTIQUES ET AVANTAGES



Woolmark

Le cycle laine de cette machine à laver a été approuvé par la Woolmark pour le lavage des articles Woolmark lavables machine, sous réserve que ces articles soient lavés conformément aux instructions mentionnées sur l'étiquette de l'article et celles indiquées par la fabricant de cette machine à laver. M0301.

Commandes électroniques

Les commandes électroniques flexibles sont faciles à utiliser que vous soyez un novice ou un expert.

Distributeurs intelligents

Les distributeurs intelligents rendent votre laveuse vraiment automatique. Cette laveuse fournit un distributeur à quatre compartiments qui comprend des compartiments séparés pour le détergent du lavage principal, l'assouplissant de tissu, l'eau de Javel, et le pré-lavage automatique ou le trempage automatique. Le distributeur comporte de grandes zones de versement, est autonettoyant et peut être facilement retiré. Les produits de lessive sont dilués à l'eau fraîche et ajoutés à la charge au moment approprié durant le programme de lavage.

Niveau automatique de l'eau

Cette laveuse ajuste automatiquement le niveau de l'eau pour les meilleurs rendements de nettoyage et de rinçage. Deux détecteurs déterminent la taille de la charge, la composition de la charge, et les niveaux de mousse savonneuse; les détecteurs ajustent ensuite le niveau d'eau au réglage approprié. Ceci élimine les devinettes. Le niveau d'eau est juste ce qu'il faut pour chaque taille de charge de lavage.

Charges plus grosses

Puisqu'il n'y a pas d'agitateur, vous pouvez laver des articles plus grands, plus volumineux, comme un couvre-lit de très grande taille. Vous pouvez également laver plus de vêtements à la fois, ce qui signifie moins de charges.

Système de suspension

Pour réduire le "déplacement" de la laveuse et les conditions de "déséquilibre", votre nouvelle laveuse combine :

- 2 ressorts pour isoler la vibration
- 4 amortisseurs de choc à la base de la laveuse pour minimiser le mouvement.

Tambour en acier inoxydable

Le tambour en acier inoxydable élimine la corrosion et permet des vitesses d'essorage plus élevées pour une extraction plus forte d'eau ce qui réduit le temps de séchage.

Système de lavage haute efficacité

Votre nouvelle laveuse à chargement frontal à haute efficacité fait gagner du temps avec des charges moins nombreuses et plus importantes, et diminue vos factures d'eau et d'énergie en favorisant une utilisation judicieuse des ressources.

Vitesses d'essorage

Cette laveuse choisit automatiquement la vitesse d'essorage en fonction du programme choisi. Toutefois, ce réglage en usine peut être changé. Cette laveuse offre jusqu'à cinq choix de vitesses différentes d'essorage.

Élément de chauffage

Cette laveuse comporte un élément de chauffage qui chauffe automatiquement l'eau à la meilleure température des programmes choisis. Ceci permet un nettoyage par étapes, un procédé par lequel l'eau tiède est apportée et mélangée d'abord avec le détergent, ensuite l'eau est chauffée. L'eau tiède nettoie les taches telles que sang et oeufs et l'eau chauffée élimine les taches huileuses telles que transpiration et l'huile mécanique sale. Cet élément de chauffage est actif aux programmes Sanitary (Sanitaire), Whitest Whites (Blancs les plus blancs), Heavy Duty (Service intense) et avec l'option Stain Treat (Traitement de taches).

Commande de température automatique ACCUWASH™

La commande ACCUWASH™ détecte et maintient électroniquement une température d'eau uniforme. La commande ACCUWASH régule l'arrivée d'eau chaude et d'eau froide. La commande ACCUWASH est activée automatiquement lors de la sélection d'un programme.

Ajouter un vêtement

Au début des programmes Sanitary (Sanitaire), Whitest Whites (Blancs les plus blancs), Heavy Duty (Service intense), Normal et Quick Wash (lavage rapide), cette laveuse accorde une période de 8 minutes pour ajouter du linge oublié. Le témoin lumineux ADD A GARMENT (Ajouter un vêtement) s'illuminera durant cette période de 8 minutes.

Action de nettoyage CATALYST® avec injection directe

Cette laveuse achemine 100% de l'eau à travers les distributeurs pour assurer un rinçage et un mélange à fond de tous les additifs avant qu'ils n'entrent en contact avec tout vêtement. L'eau est alors aspergée du haut à l'avant vers le centre de la charge, fournissant une distribution égale et un rendement idéal de nettoyage. Il est normal que de petites quantités d'eau demeurent dans les distributeurs lorsque le programme de lavage est complété.

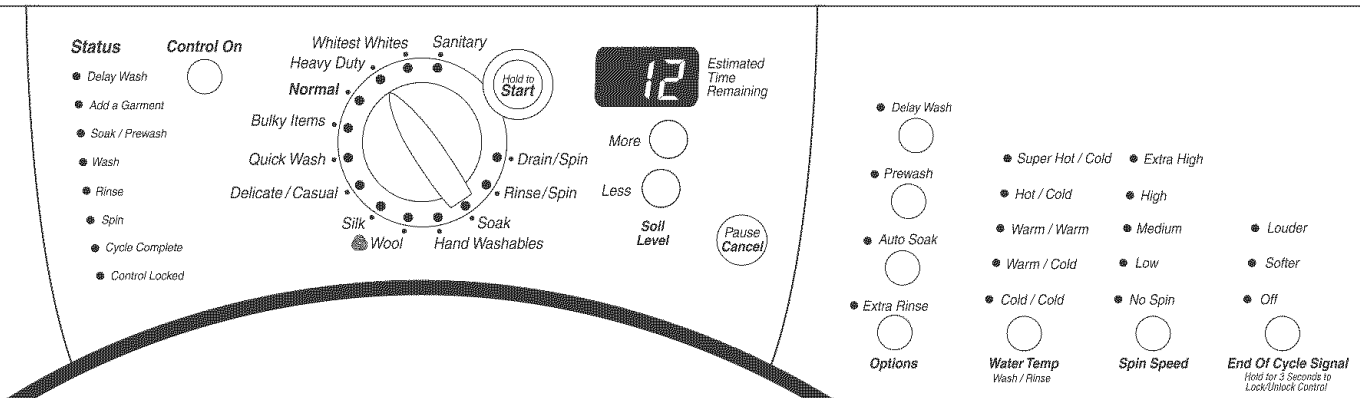
Système de détergent efficace

Cette laveuse est équipée d'une valve spécialement conçue pour se fermer durant l'étape de lavage du programme, ainsi la totalité du mélange de l'eau et du détergent est utilisée sur la charge. Le système de détergent efficace évite tout gaspillage d'eau ou de détergent.

Détection dynamique de déséquilibre

Cette laveuse utilise deux détecteurs pour détecter la taille de la charge et la quantité déséquilibrée dans la charge. Le système de suspension et les commandes sont spécialement conçus pour redistribuer automatiquement la charge.

UTILISATION DE LA LAVEUSE



Mise en marche de la laveuse

⚠️ AVERTISSEMENT



Risque d'incendie

Ne jamais mettre des articles humectés d'essence ou d'autres fluides inflammables dans la laveuse.

Aucune laveuse ne peut complètement enlever l'huile.

Ne pas faire sécher des articles qui ont été salis par tout genre d'huile (y compris les huiles de cuisson).

Le non-respect de ces instructions peut causer un décès, une explosion ou un incendie.

AVERTISSEMENT : Pour réduire le risque d'incendie, de choc électrique ou de blessures corporelles, lire les INSTRUCTIONS IMPORTANTES DE SÉCURITÉ avant de faire fonctionner cet appareil.

Le texte suivant est un guide pour l'utilisation de votre laveuse. Se référer aux sections spécifiques de ce manuel pour des renseignements plus détaillés.

Ne pas remiser des produits de lessive sur le dessus de cette laveuse. La vibration est normale au cours du fonctionnement.

Premier programme de lavage sans linge à laver

Avant de laver le linge pour la première fois, choisir le programme NORMAL et l'exécuter sans linge. Après l'installation, si un programme complet n'a pas été exécuté sans linge, utiliser la moitié de la quantité normale recommandée de détergent à haute efficacité (HE) en poudre ou liquide ou ¼ de la quantité normale recommandée de détergent ordinaire en poudre ou liquide. Le

programme initial sert à assurer que l'intérieur est propre avant de laver le linge.

1. Pour charger la laveuse

Ouvrir la porte de la laveuse en tirant sur la poignée. Trier le linge d'après la couleur et le type de tissu. Placer une charge de linge trié dans la laveuse. Ne pas surcharger la laveuse. Une charge excessive peut causer un piètre nettoyage.

- La laveuse peut être bien remplie, mais le linge ne doit pas être tassé. La porte de la laveuse devrait se fermer facilement.
- Mélanger les gros articles avec les petits articles et éviter de laver un seul article. Charger la laveuse uniformément.
- Il est recommandé de laver de petits articles tels que les chaussettes d'enfants dans un sac en filet pour le linge.
- Lorsqu'on enlève le linge, vérifier occasionnellement sous le rebord en caoutchouc à l'avant de la cuve pour les petits articles.

2. Fermer la porte de la laveuse en la poussant fermement jusqu'à l'enclenchement qui verrouille la porte. La porte de la laveuse demeurera verrouillée durant le programme de lavage.

REMARQUE : Lorsque tout programme de lavage est achevé, la porte doit être ouverte et ensuite fermée avant qu'un nouveau programme puisse commencer. La porte peut être ouverte seulement si la touche PAUSE/CANCEL (Pause/annulation) est choisie lorsque le témoin lumineux ADD A GARMENT (Ajouter un vêtement) s'illumine ou si le programme a été annulé. Voir "Pour annuler un programme".

3. Ouvrir le tiroir distributeur et ajouter les produits de lessive au compartiment de détergent, d'eau de Javel ou d'assouplissant de tissu. Fermer le tiroir lentement pour éviter les renversements. Voir "Utilisation du distributeur".

REMARQUE : Pour le meilleur rendement, utiliser des détergents à haute efficacité. Le contenant pour ce type de détergent sera marqué "HE" ou "Haute efficacité".

4. Mettre la laveuse en marche en choisissant CONTROL ON (Commande en marche). Sélectionner l'un des programmes en tournant le sélecteur de programme. Le témoin lumineux pour le programme choisi s'illuminera. Lors de la sélection d'un programme de lavage, les options, la température de l'eau, la vitesse d'essorage et le niveau de saleté pré-réglés s'illumineront. L'affichage montre le temps estimé qui reste. Les réglages pré-réglés fournissent le soin recommandé pour les tissus pour le programme sélectionné. Voir "Programmes".

5. Choisir les OPTIONS désirées. Toutes les options ne sont pas disponibles avec tous les programmes. Voir "Options".
6. Choisir les MODIFIERS (Modificateurs) désirés. Tous les modificateurs ne sont pas disponibles avec tous les programmes et toutes les options. Voir "Modificateurs".
7. Si désiré, choisir END OF CYCLE SIGNAL (Signal de fin de programme). Le signal est utile lorsqu'on lave des articles qui devraient être enlevés de la laveuse dès qu'elle s'arrête. Sélectionner LOUDER (Plus fort) ou SOFTER (Moins fort).
8. **Pour commencer immédiatement le programme de lavage**
Choisir HOLD TO START (Mise en marche).
 - Si vous ne sélectionnez pas HOLD TO START en moins de 5 minutes après avoir choisi un programme, la laveuse s'arrêtera automatiquement.
 - Lorsque le programme de lavage est achevé, le témoin lumineux indiquant CYCLE COMPLETE (Programme achevé) s'allume, la porte se déclenche et la charge de lavage peut être retirée de la laveuse. La laveuse devient désactivée automatiquement 5 minutes après l'achèvement du programme et lorsque le témoin lumineux CYCLE COMPLETE (Programme achevé) s'éteint. Pour désactiver la laveuse manuellement après la fin du programme de lavage, sélectionner PAUSE/ CANCEL (Pause/annulation) une fois.
9. **Pour commencer le programme de lavage plus tard**
Sélectionner DELAY WASH (lavage différé) jusqu'à ce que le délai désiré (en heures) montre le temps estimé qui reste sur l'affichage. Choisir START. Le compte à rebours du programme de lavage sera affiché dans le voyant de l'afficheur.

Utilisation du distributeur

Votre nouvelle laveuse comporte un tiroir distributeur avec quatre compartiments séparés pour vos produits de lessive — deux sont pour le détergent, l'un est pour l'eau de Javel et l'un est pour l'assouplissant de tissu liquide. Les produits de lessive sont dilués et distribués automatiquement au moment approprié durant le programme de lavage, ce qui vous évite de retourner à la laveuse durant le programme pour ajouter ces produits.

Il est normal que de petites quantités d'eau demeurent dans les distributeurs lorsque le programme de lavage est complété.

Ne pas placer d'additifs de lessive directement dans la cuve de lavage. Toujours utiliser les distributeurs appropriés lors de l'addition de produits de lessive.

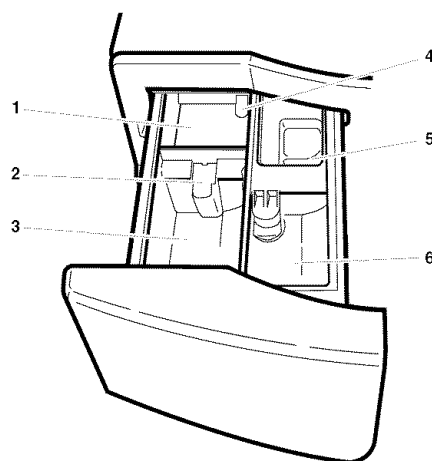
Choix du détergent approprié

Pour le meilleur rendement de lavage, utiliser un détergent à haute efficacité (HE) ou à faible mousse.

Pour remplir les compartiments du distributeur

1. Tirer le tiroir distributeur.
2. Ajouter le produit de lessive désiré dans le compartiment approprié.

3. Pousser soigneusement et complètement à fond le tiroir distributeur (afin d'éviter les déversements).



Distributeur

1. Compartiment pour détergent Prewash (prélavage)
2. Séparateur
3. Compartiment pour détergent Main Wash (lavage principal)
4. Levier de dégagement du distributeur
5. Compartiment pour eau de Javel
6. Compartiment pour assouplissant de tissu

Compartiment pour détergent Prewash (prélavage)

(Numéro 1 dans l'illustration du distributeur)

Ajouter le détergent dans ce compartiment lors de l'utilisation de l'option Prewash (prélavage) ou Auto Soak (trempage automatique). Le détergent liquide ou en poudre peut être utilisé dans ce compartiment. Le détergent sera automatiquement distribué durant Prewash si l'option de Prewash est choisie ou durant le temps de trempage si Auto Soak est choisi.

- Si vous utilisez un détergent à haute efficacité (HE) ajouter $\frac{1}{3}$ de la quantité recommandée dans le compartiment pour détergent Prewash et $\frac{2}{3}$ de la quantité recommandée dans le compartiment pour détergent Main Wash (lavage principal).

Compartiment pour détergent Main Wash (lavage principal)

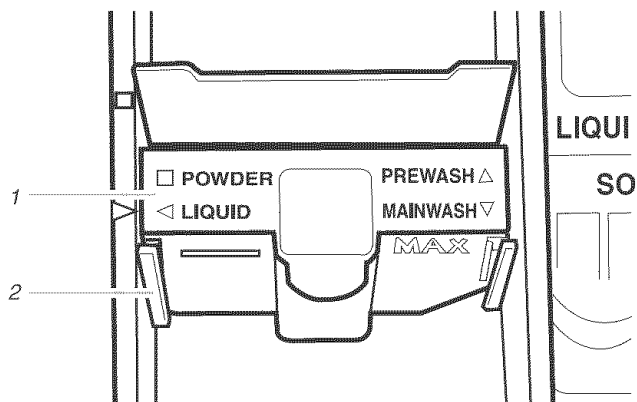
(Le numéro 3 dans l'illustration du distributeur)

Ajouter le détergent liquide ou en poudre dans ce compartiment pour votre programme de lavage principal. Le séparateur de détergent doit toujours être en place, soit à la position avant ou arrière.

IMPORTANT : Si vous utilisez l'option Prewash (prélavage) ou Auto Soak (trempage automatique) avec un programme de lavage, un détergent en poudre doit être utilisé dans le compartiment de lavage principal car les détergents liquides peuvent couler du compartiment pour détergent Main Wash durant le prélavage, le temps de trempage, ou de délai, avant que le lavage principal commence.

- Ne pas remplir au-delà du niveau "MAX".
- L'agent de blanchiment liquide ou en poudre sans danger pour les couleurs, peut être ajouté au compartiment pour détergent Main Wash avec le même type de détergent, liquide ou en poudre.

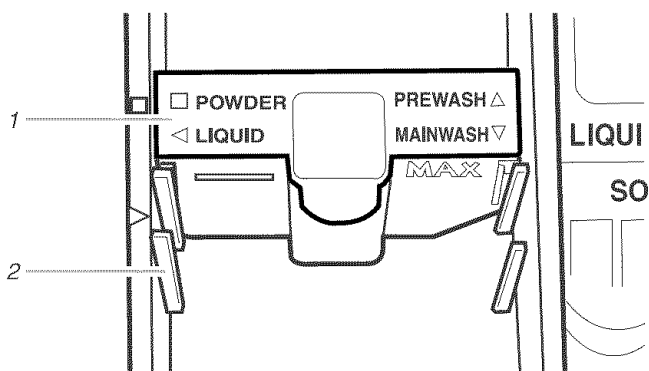
- **Détergent liquide :** Placer le SÉPARATEUR à la position avant, entre les guides, tel qu'illustré ci-après. Il n'y aura pas d'écart entre le fond du compartiment pour détergent du cycle de lavage et la base du séparateur.



Séparateur en position avant, entre les guides

1. Séparateur
2. Guide

- **Détergent en poudre :** Placer le SÉPARATEUR à la position arrière, derrière les guides, tel qu'illustré ci-après. Il y aura un écart entre le fond du compartiment pour détergent du cycle de lavage et le fond du séparateur.



Séparateur à la position arrière, entre les guides

1. Séparateur
2. Guide

REMARQUE : Le séparateur est expédié de l'usine en position POWDER (poudre [arrière]).

Compartiment pour eau de Javel

(Numéro 5 dans l'illustration des distributeurs)

Ne PAS ajouter PLUS DE 1/3 tasse (80 mL) d'eau de Javel dans ce compartiment. L'eau de Javel sera automatiquement diluée et distribuée au moment approprié durant le premier rinçage après le programme de lavage. Ce compartiment ne peut pas diluer un agent de blanchiment en poudre.

- Toujours mesurer l'eau de Javel. Utiliser une tasse à mesurer avec un bec verseur, et éviter l'à-peu-près.
- Ne pas remplir au-delà du niveau "MAX". Le remplissage excessif pourrait causer de sérieux dommages aux vêtements.

Compartiment pour assouplissant de tissu

(Numéro 6 dans l'illustration des distributeurs)

Ajouter 1/4 de tasse (60 mL) d'assouplissant de tissu liquide dans ce compartiment. L'assouplissant sera automatiquement distribué dans le rinçage final.

- Ne pas remplir au-delà du niveau "MAX".

Pause ou remise en marche

1. Pour faire une pause de la laveuse à tout moment, choisir PAUSE/CANCEL.
2. Pour continuer le programme, appuyer sur HOLD TO START (environ 1 seconde).

Changement de programmes, options et modificateurs

Toutes les options et tous les modificateurs ne sont pas disponibles avec tous les programmes. Les programmes, options et modificateurs peuvent être changés à tout moment avant que HOLD TO START soit choisi.

Les options et les modificateurs peuvent être changés à tout moment après que HOLD TO START soit sélectionné et avant la mise en marche de l'option ou du modificateur sélectionné.

Pour annuler un programme et sélectionner un nouveau programme

1. Appuyer sur PAUSE/CANCEL deux fois.
2. Sélectionner le programme désiré.
3. Sélectionner les OPTIONS désirées.
4. Appuyer sur HOLD TO START (environ 1 seconde) pour remettre la laveuse en marche au commencement d'un nouveau programme.

Pour annuler un programme

1. Appuyer sur PAUSE/CANCEL deux fois.
2. La laveuse devient désactivée, la porte se déclenche et le linge peut être enlevé.

REMARQUE : Si le niveau d'eau ou la température sont trop élevés, la laveuse se vidangera automatiquement avant que la porte se déclenche.

Pour changer les options ou modificateurs après le commencement d'un programme

1. Appuyer sur PAUSE/CANCEL.
2. Sélectionner les OPTIONS ou MODIFIERS (Modificateurs) désirés.
3. Appuyer sur HOLD TO START (environ 1 seconde) pour continuer le programme.

Pour vidanger la laveuse manuellement

1. Appuyer sur PAUSE/CANCEL.
2. Sélectionner DRAIN/SPIN (Vidange/essorage).
3. Appuyer sur HOLD TO START (environ 1 seconde) pour commencer la vidange.
4. Lorsque l'essorage est achevé, la porte se déclenche. Le linge peut être enlevé de la laveuse.

Témoins lumineux

Ces témoins lumineux montrent quelle portion du programme de la laveuse est en fonctionnement. Ils indiquent aussi quand vous pouvez ajouter un autre article au programme de lavage et quand les commandes sont verrouillées.

Status

- Delay Wash
- Add a Garment
- Soak / Prewash
- Wash
- Rinse
- Spin
- Cycle Complete
- Control Locked

Ajouter un vêtement

Vous pouvez ajouter des articles après que le programme a commencé avec les programmes Sanitary (Sanitaire), Whitest Whites (Blancs les plus blancs), Heavy Duty (Service intense), Normal (Normal) et Quick Wash (Lavage rapide), si le témoin lumineux ADD A GARMENT (Ajouter un vêtement) s'illumine.

Pour ajouter des articles

1. Appuyer sur PAUSE/CANCEL. La porte de la laveuse se déclenche et des articles peuvent être ajoutés.
2. Pour continuer le programme, fermer la porte et appuyer sur HOLD TO START (environ 1 seconde).

Programme achevé

Le témoin lumineux Cycle Complete (Programme achevé) reste illuminé pendant 5 minutes après l'achèvement du programme, et ensuite la laveuse se désactive.

Verrouillage des commandes

Le verrouillage des commandes empêche l'utilisation non intentionnelle de la laveuse. Vous pouvez aussi utiliser la caractéristique de commande de verrouillage pour empêcher un programme non désiré ou des changements d'option au cours d'un programme. Lorsque CONTROL LOCKED (Verrouillage des commandes) est allumé, tous les boutons sont désactivés, à l'exception de PAUSE/CANCEL (Pause/annulation) et START (Mise en marche). Vous pouvez verrouiller les commandes pendant que la laveuse est en fonctionnement.

Pour verrouiller les commandes

Appuyer sur END OF CYCLE SIGNAL (Signal de fin de programme) pendant 3 secondes.

- Louder
- Softer
- Off



Le témoin lumineux CONTROL LOCKED s'illumine.

Pour déverrouiller les commandes

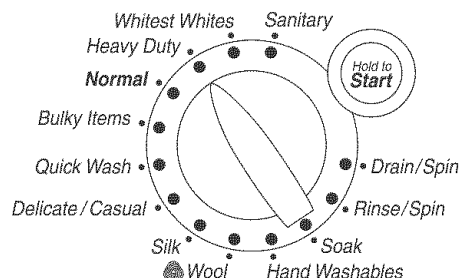
Appuyer sur END OF CYCLE SIGNAL pendant 3 secondes jusqu'à ce que le témoin lumineux CONTROL LOCKED s'éteigne.

Durée estimée qui reste

La durée d'un programme varie automatiquement d'après la pression de l'eau, la température de l'eau, le détergent et la charge de linge. La durée du programme sera prolongée si une mousse excessive survient ou si la charge est déséquilibrée.

Programmes

Choisir les programmes de lavage en tournant le bouton au programme désiré. Chaque programme est conçu pour des types différents de tissus et de niveaux de saleté.



- Chaque programme comporte un niveau de saleté (durée du programme), une température de l'eau et une vitesse d'essorage pré-réglés, et peut comporter des options pré-réglées. Les réglages pré-réglés fournissent les soins recommandés des tissus pour le programme choisi.
- Les réglages pré-réglés peuvent être changés en tout temps avant d'appuyer sur HOLD TO START (Mise en marche). Toutes les options et tous les modificateurs ne sont pas disponibles avec tous les programmes. (Pour changer les réglages après que le programme a été mis en marche, appuyer sur PAUSE/CANCEL (Pause/annulation), ensuite choisir les réglages désirés. Appuyer sur HOLD TO START pour continuer le programme.)

Sanitary (Sanitaire)

Utiliser ce programme pour nettoyer les tissus grand teint très sales. Ce programme combine une température d'eau très chaude et un culbutage à vitesse rapide pour aider à assurer l'élimination des saletés intenses et des taches. Il est recommandé de régler votre chauffe-eau à 120°F (49°C) pour assurer un rendement approprié durant ce programme. Le programme Sanitaire aide aussi à éliminer 99,999 % de 3 des bactéries ordinaires infectieuses, même sans emploi d'eau de Javel. Un essorage à vitesse extra élevée aide à diminuer le temps de séchage.

Whitest Whites (Blancs les plus blancs)

Ce programme est spécialement conçu pour nettoyer des charges de tissus blancs sales, avec l'addition d'eau de Javel. Les températures de lavage à l'eau chaude assurent l'activité idéale de l'eau de Javel. Un rinçage additionnel fournit un rendement idéal de rinçage pour éviter les résidus de chlore sur votre linge. Ce programme combine le culbutage à haute vitesse, un temps de lavage prolongé, et un essorage à vitesse extra élevée pour raccourcir le temps de séchage.

Heavy Duty (Service intense)

Utiliser ce programme pour laver des charges de tissus épais, grand teint, et les vêtements normalement sales. Ce programme combine un culbutage à vitesse rapide, un temps de lavage prolongé, et un essorage à vitesse extra élevée pour raccourcir les temps de séchage. Si la température de l'eau est plus basse que nécessaire pour ce programme, le chauffe-eau réchauffera l'eau à la température idéale.

REMARQUE : Utiliser le programme Heavy Duty (Service intense) pour l'enlèvement optimal des saletés organiques telles que le sang.

Normal

Utiliser ce programme pour laver des cotons et des toiles normalement sales. Ce programme combine un culbutage à vitesse moyenne et un essorage à haute vitesse.

Bulky Items (articles encombrants)

Utiliser ce programme pour laver de gros articles tels que couvertures et couettes. Ce programme commence par un trempage pour bien imbiber la charge. Ceci est suivi d'une action de lavage moyenne et d'un essorage à basse vitesse uniquement pour maintenir l'équilibre de la charge.

Quick Wash (Lavage rapide)

Utiliser ce programme pour de petites charges de vêtements légèrement sales qui sont requis sans délai. Ce programme combine le culbutage à vitesse rapide, un temps de lavage raccourci, et un essorage à vitesse extra élevée pour raccourcir le temps de séchage.

Delicate/Casual (déliçats/tout-aller)

Utiliser ce programme pour laver des tissus et des vêtements qui ne se repassent pas; l'étiquette de soin du tissu indiquera "Permanent Press" (pressage permanent), "Wrinkle Free" (sans plis), ou "Gentle" (déliçat). Ce programme combine un culbutage à basse vitesse et un essorage à basse vitesse afin de réduire les plis.

Silk (Soie)

Utiliser ce programme pour nettoyer les vêtements lavables en soie. (Vérifier les instructions de l'étiquette pour vous assurer que le vêtement est lavable). Ce programme culbute délicatement et vide l'eau sans essorage pour nettoyer délicatement les vêtements et réduire le froissement au minimum. Comme l'essorage est omis, les vêtements contiennent une quantité plus élevée d'eau à la fin de ce programme.

Wool (Lainages)

Utiliser ce programme pour laver les vêtements en laine lavables en machine. (Consulter les consignes d'entretien pour s'assurer que le vêtement est lavable.) Ce programme comporte un culbutage déliçat et un essorage à basse vitesse pour un soin optimal des vêtements.

Hand Washables (Lavage manuel)

Utiliser ce programme pour les vêtements à laver manuellement ou nécessitant un soin spécial. Semblable à la façon dont les vêtements sont lavés à la main dans un évier, l'action de lavage de ce programme combine des périodes de culbutage lent et de trempage. La vitesse lente réduit le froissement.

Soak (Trempage)

Utiliser ce programme pour enlever les petites taches fixées sur les tissus. Ce programme comporte une période de trempage dans l'eau tiède ou froide suivie d'une vidange. L'eau supplémentaire, la courte phase de culbutage pour une distribution égale de la lessive et une période de trempage sans mouvement du tambour améliorent l'enlèvement des taches fixées. La vidange sans essorage assure un traitement doux, même pour les articles déliçats.

Rinse/Spin (Rinçage/essorage)

Utiliser ce programme pour obtenir un rinçage et un essorage seulement. Ce programme combine le culbutage à vitesse élevée et un essorage à vitesse extra élevée. Si désirez, vous pouvez réduire la vitesse d'essorage en choisissant la vitesse que vous désirez du modificateur SPIN SPEED (Vitesse d'essorage).

Rinse/Spin (Rinçage/essorage) utile pour

- Les charges nécessitant un rinçage seulement.
- L'addition d'assouplissant de tissu à une charge.

Drain/Spin (Vidange/essorage)

Utiliser ce programme pour vidanger votre laveuse ou pour vidanger et essorer votre charge de linge. La vitesse d'essorage est préréglée à très élevée. Si vous le désirez, vous pouvez réduire la vitesse d'essorage en choisissant la vitesse que vous désirez du modificateur SPIN SPEED (Vitesse d'essorage).

REMARQUE : L'eau dans les charges de tissus synthétiques, tissus déliçats, articles lavables à la main, et lainages, doit être vidangée sans essorage ou à essorage faible pour éviter d'étirer les tissus.

Réglages préréglés des programmes

Chaque programme a un niveau de saleté (temps du programme), une température de l'eau, et une vitesse d'essorage préréglés. Les réglages préréglés fournissent les soins recommandés des tissus pour le programme choisi. Voir tableau.

Pro-gramme	Niveau de saleté (temps du programme)	Température de l'eau	Vitesse d'essorage
Sanitary (Sanitaire)	Normal (1:55)	Super Hot/Cold (Super chaude/Froide)	Extra High (Extra élevée)
Whitest Whites (Blancs les plus blancs)	Normal (1:00)	Hot/Cold (Chaude/Froide)	Extra High (Extra élevée)
Heavy Duty (Service intense)	Normal (1:20)	Hot/Cold (Chaude/Froide)	Extra High (Extra élevée)
Normal	Normal (0:40)	Warm/Cold (Tiède/Froide)	High (Élevée)
Bulky Items (Articles encombrants)	Normal (0:55)	Warm/Cold (Tiède/Froide)	Low (Basse)
Quick Wash (Lavage rapide)	Moins Sale (0:30)	Warm/Cold (Tiède/Froide)	Extra High (Extra élevée)
Delicate/Casual (Déliçats/tout-aller)	Normal (0:35)	Warm/Cold (Tiède/Froide)	Medium (Moyenne)
Silk (Soie)	Normal (0:26)	Cold/Cold (Froide/Froide)	No Spin (Pas d'essorage)

Pro-gramme	Niveau de saleté (temps du programme)	Température de l'eau	Vitesse d'essorage
Wool (Laine)	Normal (0:30)	Cold/Cold (Froide/Froide)	Medium (Moyenne)
Hand Washables (Lavage manuel)	Normal (0:30)	Cold/Cold (Froide/Froide)	Low (Basse)
Soak (Trem-page)	Normal (0:30)	Warm/Cold (Tiède/Froide)	No Spin (Pas d'essorage)
Rinse/Spin (Rinçage/essorage)	Normal (0:21)	Cold/Cold (Froide/Froide)	Extra High (Extra élevée)
Drain/Spin (Vidange/essorage)	Normal (0:11)	N/A	Extra High (Extra élevée)

Changement des réglages de programme préréglés

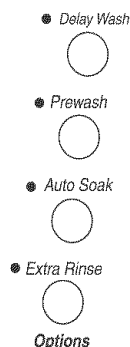
Appuyer sur le sélecteur de chaque réglage jusqu'à ce que le réglage désiré s'illumine.

Sons normaux émis par la laveuse

Comme pour tout produit neuf, vous entendrez des sons qui ne vous sont pas familiers. Vous pouvez entendre divers sons lorsque la porte est verrouillée et déverrouillée, et durant le lavage, le rinçage et l'essorage. Entre les changements des actions de lavage, il y aura des pauses momentanées. Vous entendrez l'aspersion et l'éclaboussement de l'eau durant les programmes de lavage et de rinçage. Ces nouveaux sons et pauses font partie du fonctionnement normal de la laveuse.

Options

Vous pouvez personnaliser votre lavage en ajoutant des OPTIONS à vos sélections de programme. Vous pouvez ajouter ou changer l'option après avoir commencé un programme n'importe quand avant que l'option sélectionnée commence. Toutes les options ne sont pas disponibles avec tous les programmes.



- Voir "Guide de lessivage" pour un aperçu des options possibles pour chaque sélection de programme de lavage.

- Vous pouvez choisir plus d'une option pour un programme. Certaines options ne peuvent pas être ajoutées à certains programmes; par exemple, Prewash (Prélavage) ne peut pas être ajouté au programme Quick Wash (Lavage rapide).
- Si une option est disponible avec un programme sélectionné, le témoin lumineux pour cette option s'allumera lorsqu'il est sélectionné.
- Si une option n'est pas disponible avec un programme sélectionné, il y aura un bref signal sonore et le témoin lumineux pour cette option ne s'allumera pas lorsqu'il est sélectionné.

Delay Wash (lavage différé)

Utiliser cette option pour mettre le programme de lavage en marche plus tard.

- Sélectionner Delay Wash (lavage différé) jusqu'à ce que la durée souhaitée (en heures) soit indiquée sur l'affichage de durée restante approximative.
- Sélectionner START (mise en marche). Le compte à rebours du programme de lavage sera indiqué sur la fenêtre de l'affichage.

Prewash (Prélavage)

Utiliser cette option pour les charges très sales qui ont besoin de prétraitement. Cette option ajoute un prélavage et une vidange de 15 minutes au programme de lavage principal.

REMARQUES :

- Ajouter le détergent aux compartiments Prewash (prélavage) et Main Wash (lavage principal) dans le tiroir distributeur.
- Lors de l'utilisation de Prewash, ne pas utiliser de détergent liquide dans le compartiment Main Wash. Utiliser un détergent en poudre pour le programme de lavage principal.

REMARQUE : Les options Prewash et Auto Soak (Trempage automatique) ne peuvent pas être choisies dans le même programme.

Auto Soak (Trempage automatique)

Utiliser l'option de Auto Soak pour les charges de coton, toile, polyester ou nylon très sales avec taches incrustées. Au cours du trempage automatique, l'eau sera ajoutée au tambour et le linge sera également distribué par une phase brève de culbutage. Le linge sera ensuite trempé par phases sans mouvement du tambour. Après le trempage, la laveuse se vide sans essorage.

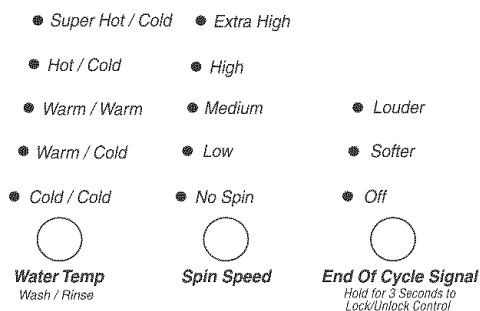
- Ajouter du détergent aux deux compartiments de Prewash et de Main Wash du tiroir distributeur.
- Utiliser du détergent en poudre pour le programme de lavage principal parce que le détergent liquide coulera dans la laveuse durant Auto Soak.
- Pour les programmes à températures de lavage chaudes, la température de trempage est réglée à WARM (tiède) sinon la température de trempage est identique à la température de lavage.
- Les options Auto Soak et de Prewash ne peuvent pas être sélectionnées dans le même programme.

Extra Rinse (Rinçage supplémentaire)

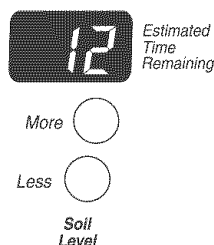
Un rinçage supplémentaire peut être utilisé pour assurer l'élimination des résidus de détergent ou des résidus d'eau de Javel des vêtements. Cette option fournit un rinçage additionnel avec la même température d'eau que le premier rinçage.

Modificateurs

Les réglages pré-réglés de programme de température d'eau, de lavage/rinçage et de vitesse d'essorage peuvent être changés. Vous pouvez changer un modificateur après la mise en marche d'un programme à tout moment avant que le modificateur choisi commence. Tous les modificateurs ne sont pas disponibles avec tous les programmes et toutes les options.



- Pour changer la température de l'eau, appuyer sur le bouton WATER TEMP (Température de l'eau) jusqu'à ce que le réglage désiré s'allume.
- Pour changer la vitesse d'essorage, appuyer sur le bouton SPIN SPEED (Vitesse d'essorage) jusqu'à ce que le réglage désiré s'allume.
- Pour changer le volume du signal de fin de programme, appuyer sur END OF CYCLE SIGNAL (Signal de fin de programme).



- Pour changer le temps du programme, sélectionner le bouton SOIL LEVEL (Niveau de saleté).

Wash/Rinse Temp (Température de lavage/rinçage)

Sélectionner une température d'eau en fonction du type de charge que vous lavez. Utiliser l'eau la plus tiède favorable au tissu. Suivre les instructions sur l'étiquette du vêtement.

Les rinçages tièdes laissent les charges plus sèches que les rinçages froids. Les rinçages tièdes augmentent le froissement. Dans les climats froids, un rinçage tiède rend la charge plus confortable à manipuler. Les rinçages froids économisent l'énergie.

Guide de température

Température de l'eau de lavage	Tissus suggérés
SUPER HOT (Très chaud) 153°F (67°C)	Tissus grand teint épais Saletés intenses
HOT (Chaude) 122°F (50°C) or above	Blancs et pastels Saletés intenses
WARM (Tiède) 104°F (40°C)	Couleurs vives Saletés de modérées à légères
COLD (Froide) 77°F (25°C)	Couleurs qui coulent ou s'atténuent Saletés légères

Dans les températures d'eau de lavage plus froides que 70°F (21°C), les détergents ne se diluent pas bien. Les saletés peuvent être difficiles à enlever.

Commande de température automatique ACCUWASH™

La commande ACCUWASH™ détecte et maintient électroniquement une température d'eau uniforme. La commande ACCUWASH régule l'arrivée d'eau chaude et d'eau froide. La commande ACCUWASH est activée automatiquement lors de la sélection d'un programme. (Voir "Réglage d'un programme pré-réglé" dans "Programmes".)

- La commande ACCUWASH assure un nettoyage consistant.
- La commande ACCUWASH fonctionne pour tous les réglages de température de lavage et de rinçage.

Guide de lessivage

Se référer à ce tableau pour des types de charges suggérés et leurs programmes correspondants. À droite se trouvent les options disponibles pour chacun de ces programmes.

PROGRAMME	TYPE DE CHARGE SUGGÉRÉ	OPTIONS DISPONIBLES			
		Delay Wash (Lavage différé)	Prewash* (Pré lavage*)	Auto Soak* (Trempage auto- matique*)	Extra Rinse (Rinçage supplémentaire)
Sanitary (Sanitaire)	Sous-vêtements, serviettes, vêtements de travail, couches très sales, etc.	✓	✓	✓	✓
Whitest Whites (Blancs les plus blancs)	Tissus blancs très sales	✓	✓	✓	✓
Heavy Duty (Service intense)	Sous-vêtements, serviettes, chemises, etc. de coton, normalement sales	✓	✓	✓	✓
Normal	Chemisiers, chemises, salopettes, etc., en polyester, nylon, coton, lin ou mélanges de coton de légèrement à normalement sales	✓	✓	✓	✓
Bulky Items (Articles encombrants)	Couvertures et édredons normalement sales	✓	✓	✓	✓
Quick Wash (Lavage rapide)	Salopettes et vêtements de sport en coton, polyester, nylon et mélanges de coton de légèrement à normalement sales	✓		✓	✓
Delicate/Casual (délicats/tout- aller)	Utiliser ce programme pour laver des tissus et des vêtements qui ne se repassent pas; l'étiquette de soin du tissu indiquera "Permanent Press" (pressage permanent), "Wrinkle Free" (sans plis), ou "Gentle" (délicat).	✓	✓	✓	✓
Silk (Soie)	Tissus en soie identifiés comme lavables à la machine	✓			✓
Wool (Laine)	Lainages avec un fini non feutré, identifiés comme lavables à la machine	✓			✓
Hand Washables (Lavage manuel)	Tissus en soie, articles demandant un soin spécial et marqués "Lavable à la main"	✓			✓
Soak (Trempage)	Tissus de coton, lin, polyester ou nylon				
Rinse/Spin (Rinçage/ essorage)	Tissus de coton, lin, polyester ou nylon	✓			✓
Drain/Spin (Vidange/ essorage)	Tissus de coton, lin, polyester ou nylon				

*Les programmes Prewash (Pré lavage) et Auto Soak (Trempage automatique) ne peuvent pas être choisis en même temps.

CONSEILS DE LESSIVAGE

Préparation des vêtements pour le lavage

Suivre les recommandations suivantes pour prolonger la vie de vos vêtements.

- Fermer les fermetures à glissière, les boutons pression et les crochets pour éviter d'accrocher d'autres articles. Enlever les épingles, les boucles et autres objets durs pour éviter d'égratigner l'intérieur de la laveuse. Ôter les garnitures et les ornements non lavables.
- Vider les poches et les retourner.
- Retourner les revers et enlever la charpie et la poussière avec une brosse.
- Retourner les tricots synthétiques pour éviter le boulochage.
- Attacher les cordons et les ceintures-écharpes pour empêcher l'emmêlement.
- Réparer les déchirures, les ourlets et coutures décousus.
- Traiter les taches.
- Les vêtements tachés ou mouillés devraient être lavés sans délai pour obtenir les meilleurs résultats.

Tri

- Séparer les articles très sales des articles légèrement sales, même si on les lave normalement ensemble. Séparer les articles qui forment de la charpie (serviettes, chenille) des articles qui attrapent la charpie (velours côtelé, synthétique, pressage permanent). Dans la mesure du possible, retourner les articles qui forment de la charpie.
- Séparer les couleurs foncées et les articles grand teint des articles qui déteignent.
- Trier en fonction des tissus et de la confection (cotons solides, tricots, articles délicats).

Déchargement

- Retirer les vêtements de la laveuse une fois que le programme est terminé. Des objets en métal comme les fermetures éclair, les boutons pressions et les boucles peuvent rouiller si on les laisse longtemps dans le panier de la laveuse.

Chargement

Suggestions de chargement (capacité maximale de charge).

Vêtements de travail

4 jeans	2 survêtements (bas)
4 pantalons	2 survêtements (haut)
4 chemises	

Serviettes

10 serviettes de bain	14 débarbouillettes
10 serviettes à main	

Charges mixtes

3 draps (1 très grand, 2 simples)	9 t-shirts
4 taies d'oreiller	9 shorts
3 chemises	10 mouchoirs de poche
3 chemisiers	

ENTRETIEN DE LA LAVEUSE

Nettoyage de la laveuse

Nettoyage de l'extérieur

Utiliser une éponge ou un linge doux humide pour essuyer les reverses. Essuyer occasionnellement les surfaces externes de la laveuse pour maintenir son apparence d'appareil neuf. Utiliser un savon doux et de l'eau. Ne pas utiliser de produits abrasifs.

Nettoyage de l'intérieur

Utiliser une éponge ou un linge doux humide pour essuyer de temps à autre l'intérieur de la porte pour enlever tout résidu de détergent. Utiliser un savon doux et de l'eau. Ne pas utiliser de produits abrasifs.

Nettoyage du joint de porte

Utiliser une éponge ou un linge doux humide au besoin. Vérifier le pli du joint périodiquement pour tout objet étranger.

Nettoyage du tiroir distributeur

Le tiroir distributeur est amovible pour faciliter le nettoyage.

1. Dégager le tiroir distributeur en appuyant sur le levier de dégagement dans le compartiment de prélavage. Voir "Utilisation du distributeur". Retirer le tiroir.
2. Enlever les pièces incluses (le siphon des compartiments de l'assouplissant et de l'eau de Javel et le séparateur).
3. Laver les pièces sous l'eau du robinet.
4. Remettre les pièces incluses et remettre le distributeur dans le tiroir.

Tuyaux d'alimentation de la laveuse

Remplacer les tuyaux d'alimentation après cinq ans d'utilisation afin de réduire le risque de problème avec le tuyau. Inspecter périodiquement et remplacer les tuyaux d'alimentation comportant des renflements, écrasements, coupures, signes d'usure ou fuites.

Lors du remplacement des tuyaux d'alimentation, inscrire la date de remplacement.

Préparation avant des vacances, un entreposage ou un déménagement

Installer et remiser la laveuse à un emplacement où elle ne sera pas exposée au gel. Comme il peut rester un résidu d'eau dans les tuyaux, le gel pourrait endommager la laveuse. Si la laveuse doit faire l'objet d'un déménagement ou de remisage au cours d'une période de gel, préparer l'appareil pour l'hiver.

Période d'inutilisation ou de vacances :

Faire fonctionner la laveuse seulement lorsqu'on est présent. Si vous devez partir en vacances ou si vous n'utilisez pas votre laveuse pendant une période prolongée, vous devez :

- Débrancher la laveuse ou déconnecter la source de courant électrique.
- Fermer les robinets d'arrivée d'eau. Ceci évitera le risque d'inondation accidentelle (à l'occasion d'une surpression d'eau) au cours de la période d'absence.
- Ouvrir légèrement la porte pour fournir une ventilation.

Préparation de la laveuse pour l'hiver :

1. Verser 1 pte (1 L) d'antigel de type pour véhicule récréatif, dans le tambour.
2. Faire exécuter à la laveuse un programme DRAIN/SPIN (Vidange/essorage).
3. Débrancher la laveuse ou déconnecter la source de courant électrique.
4. Fermer les deux robinets d'arrivée d'eau.
5. Déconnecter les tuyaux flexibles d'alimentation d'eau des robinets et les vider.

Avant la réutilisation :

1. Rincer les tuyaux d'arrivée d'eau.
2. Reconnecter les tuyaux flexibles d'alimentation d'eau aux robinets.
3. Ouvrir les deux robinets d'arrivée d'eau.
4. Brancher la laveuse ou reconnecter la source de courant électrique.
5. Faire exécuter à la laveuse un programme complet NORMAL avec ½ de la quantité normale recommandée de détergent pour éliminer l'antigel.

Transport de la laveuse :

1. Si la laveuse est déménagée pendant une période de gel, verser dans le tambour 1 pte (1 L) d'antigel pour véhicule récréatif. Faire exécuter à la laveuse un programme DRAIN/SPIN.
2. Débrancher le cordon électrique.
3. Déconnecter le tuyau de vidange du système de vidange et le fixer aux pinces du panneau arrière.
4. Fermer les deux robinets d'arrivée d'eau.
5. Déconnecter les tuyaux d'arrivée d'eau des robinets, ensuite vider les tuyaux et les fixer au panneau arrière de la laveuse.
6. **IMPORTANT** : Appeler le service. Ne pas réutiliser les boulons de transport. L'appareil doit être transporté dans la position verticale.

Réinstallation de la laveuse

1. Suivre les "Instructions d'installation" pour choisir l'emplacement, mettre la laveuse d'aplomb et la connecter.
2. Faire exécuter à la laveuse un programme NORMAL avec ½ de la quantité normale recommandée de détergent pour nettoyer la laveuse et enlever l'antigel, le cas échéant.

DÉPANNAGE

Essayer d'abord les solutions suggérées ici pour éviter possiblement le coût d'une visite de service...

La laveuse affiche un message par code et un signal sonore est émis

- **"HF" (problème d'entrée d'eau - approvisionnement nul ou insuffisant d'eau)**
Appuyer deux fois sur PAUSE/CANCEL pour annuler le programme. Débrancher la laveuse ou déconnecter la source de courant électrique.

Vérifier ce qui suit :

Les robinets sont-ils complètement ouverts?

Les tamis à la connexion des tuyaux d'entrée d'eau à la laveuse sont-ils obstrués?

Les tuyaux d'entrée d'eau sont-ils déformés?

Les tuyaux d'entrée d'eau sont-ils gelés?

Brancher la laveuse ou reconnecter la source de courant électrique. Sélectionner de nouveau le programme et appuyer sur HOLD TO START. Si le problème persiste, faire un appel de service.

- **"F02" (problème de vidange)**
Appuyer deux fois sur PAUSE/CANCEL pour annuler le programme. Débrancher la laveuse ou déconnecter la source de courant électrique.

Vérifier ce qui suit :

Le tuyau de vidange est-il déformé?

Le tuyau de vidange est-il gelé?

Le tuyau de vidange est-il obstrué?

Le tuyau de vidange est-il à plus de 96 po (2,4 m) au-dessus du plancher?

- **"SUD" (mousse savonneuse)**
Lorsqu'une mousse savonneuse excessive est détectée, une action agit automatiquement pour corriger l'excès de mousse. Cette action enlève l'excès de mousse et assure le rinçage approprié de votre linge. "SUD" est affiché durant le rinçage et à la fin du programme pour vous informer que l'action corrective pour la mousse a été activée. Pour éviter une mousse excessive, réduire la quantité de détergent ou utiliser des détergents HE.

- **"F" variables [F4 à F16] (problème électrique)**
Appuyer deux fois sur PAUSE/CANCEL pour annuler le programme. Sélectionner DRAIN/SPIN s'il y a un excès d'eau dans la laveuse.

Sélectionner de nouveau le programme et appuyer sur HOLD TO START. Si le problème persiste, faire un appel de service.

La laveuse ne se met pas en marche

■ Vérifier ce qui suit :

Le cordon d'alimentation est-il branché sur une prise à 3 alvéoles reliée à la terre?

La porte de la laveuse est-elle bien fermée?

Un programme a-t-il été choisi sans que l'on appuie sur HOLD TO START pendant une seconde?

La porte a-t-elle été ouverte après l'achèvement du dernier programme?

Absence de remplissage, lavage ou rinçage

■ Vérifier ce qui suit :

Le cordon d'alimentation est-il branché sur une prise à 3 alvéoles reliée à la terre?

La prise de courant est-elle alimentée?

Vérifier la source d'électricité ou faire venir un électricien.

Les robinets d'eau froide et d'eau chaude sont-ils ouverts?

Le tuyau d'entrée d'eau est-il déformé?

Les tamis de la valve d'entrée d'eau sont-ils obstrués?

La laveuse s'arrête

■ Vérifier ce qui suit :

Le cordon d'alimentation est-il branché sur une prise à 3 alvéoles reliée à la terre?

La prise de courant est-elle activée?

Vérifier la source d'alimentation électrique ou faire venir un électricien.

Un fusible est-il grillé ou le disjoncteur est-il ouvert?

Si le problème persiste, faire venir un électricien.

Une rallonge est-elle employée?

Ne pas utiliser un cordon de rallonge.

Absence de vidange ou d'essorage de la laveuse

■ Le tuyau d'évacuation est-il obstrué, ou l'extrémité du tuyau d'évacuation se trouve-t-elle à plus de 96 po (2,4 m) au-dessus du plancher?

■ La tension est-elle basse?

Vérifier la source d'électricité ou faire venir un électricien. Ne pas utiliser un cordon de rallonge.

■ L'action de mousse savonneuse "SUD" est-elle active?

Le programme s'achèvera lorsque la mousse excessive est enlevée.

■ La charge est-elle équilibrée?

Un seul article ou un article encombrant peut provoquer un déséquilibre. Ajouter des articles ou redistribuer la charge.

La laveuse fait du bruit ou vibre

■ La laveuse est-elle d'aplomb?

La laveuse doit être d'aplomb. Les quatre pieds doivent être bien installés et les écrous doivent être serrés contre la caisse de la laveuse.

Lorsque l'eau est vidangée de la laveuse, vous pouvez entendre le bruit de la succion de l'air par la pompe. Ceci se produit à la fin de la vidange. Ceci est normal.

■ Lavez-vous des articles avec agrafes en métal, boucles ou fermetures à glissière?

Vous pouvez entendre le bruit d'articles métalliques touchant le tambour de la laveuse. Ceci est normal.

■ La laveuse est-elle installée sur un plancher robuste et solide?

Se référer aux "Instructions d'installation" pour les exigences de plancher. Le bruit et la vibration peuvent être réduits en plaçant une pièce de ¾ po (19,1 mm) de contreplaqué sous votre laveuse. Le contreplaqué peut se prolonger en-dessous de la laveuse et de la sècheuse pour les maintenir à des hauteurs égales.

Fuites d'eau de la laveuse

■ Vérifier la plomberie du domicile pour des fuites.

Obstruction ou fuite des distributeurs

■ Les produits de lessive sont-ils dans le compartiment correct du distributeur?

Ajouter les quantités correctes de détergent, d'assouplissant de tissu ou d'eau de Javel aux compartiments corrects. Ajouter l'agent de blanchiment en poudre ou sans danger pour les couleurs au compartiment du lavage principal. Veiller à utiliser de la Javel en poudre sans danger pour les couleurs avec un détergent en poudre approprié ou de la Javel en liquide sans danger pour les couleurs avec un détergent liquide approprié.

■ Le séparateur de détergent est-il à la position correcte?

Le séparateur devrait être à la position à l'avant lors de l'utilisation de détergent liquide et à la position à l'arrière lors de l'utilisation de détergent en poudre.

Charge trop mouillée

■ Avez-vous utilisé le bon programme pour la charge à laver?

Choisir un programme avec une vitesse d'essorage plus élevée.

■ Avez-vous lavé un seul article, des articles épais ou avez-vous surchargé la laveuse?

Un seul article, des articles épais, ou une charge excessive peuvent causer un déséquilibre. Ajouter des articles ou essayer de distribuer également votre lessive mouillée dans le tambour, et commencer le programme DRAIN/SPIN (Vidange/essorage). Si la lessive est encore mouillée, retirer la moitié de la charge de la laveuse et essayer de nouveau.

Résidu ou charpie sur le linge

- **Avez-vous ajouté du détergent au distributeur?**
Pour obtenir les meilleurs résultats, ajouter du détergent au compartiment de détergent. Ne pas ajouter de détergent au tambour de la laveuse.
- **Avez-vous effectué le tri correctement?**
Trier les articles qui forment la charpie (serviettes, chenille) des articles qui attrapent la charpie (velours côtelé, tissus synthétiques). Trier aussi les couleurs.
- **Avez-vous surchargé la laveuse?**
Ne pas surcharger la laveuse. La laveuse peut être remplie complètement, mais le linge ne doit pas être tassé. La charge de lavage doit être équilibrée. Les particules de charpie peuvent être emprisonnées dans la charge s'il y a surcharge.
- **Vérifier ce qui suit :**
A-t-on laissé du papier ou un mouchoir de papier dans les poches?
- **Avez-vous utilisé suffisamment de détergent?**
Suivre les directions du fabricant. Utiliser suffisamment de détergent pour maintenir la charpie en suspension dans l'eau.
- **L'eau de lavage est-elle plus froide que 70°F (21°C)?**
L'eau de lavage plus froide que 70°F (21°C) peut ne pas dissoudre complètement le détergent.
- **Utilisez-vous un programme de lavage à basse vitesse?**
Les détergents en poudre peuvent ne pas bien se dissoudre dans un programme à basse vitesse. Pour les meilleurs résultats, utiliser un détergent liquide pour les programmes à basse vitesse comme Delicate/Casual (délicats/tout-aller), Silk (Soie), Wool (Laine), et Hand Washables (Lavage manuel).

Présence de taches sur le linge

- **Avez-vous ajouté du détergent au distributeur?**
Pour les meilleurs résultats, ajouter du détergent au compartiment de détergent. Ne pas ajouter de détergent au tambour de la laveuse.
- **Avez-vous utilisé suffisamment de détergent?**
Utiliser suffisamment de détergent pour enlever la saleté et la tenir en suspension. Pour le meilleur rendement, utiliser le détergent à haute efficacité. Suivre les recommandations du fabricant en fonction du type de charge que vous lavez.
- **La présence de fer (rouille) dans l'eau est-elle supérieure à la moyenne?**
Il vous faudra peut-être faire installer un filtre à fer.
- **Avez-vous bien trié la charge?**
Séparer les articles de teinte foncée des articles blancs ou clairs.
- **Avez-vous déchargé la laveuse promptement?**
Pour éviter le transfert de teinture, décharger la laveuse dès qu'elle s'arrête.
- **Avez-vous utilisé une boule distributrice d'assouplissant de tissu?**
Les boules distributrices ne fonctionnent pas correctement avec cette laveuse. Ajouter un assouplissant pour tissu liquide dans le compartiment d'assouplissant de tissu.
- **Avez-vous utilisé du détergent en poudre dans un programme à basse vitesse?**
Considérer l'utilisation d'un détergent liquide.
- **Avez-vous utilisé le lavage rapide sur une grosse charge?**
Pour de meilleurs résultats, utiliser Quick Wash (Lavage rapide) pour des charges petites ou des charges légèrement sales.

Linge froissé

- **Avez-vous déchargé la laveuse promptement?**
Décharger la laveuse dès qu'elle s'arrête.
- **Avez-vous utilisé le bon programme pour la charge à laver?**
Utiliser le programme Delicate/Casual (délicats/tout-aller) ou un autre programme avec une vitesse d'essorage basse pour réduire le froissement.
- **Avez-vous surchargé la laveuse?**
La charge doit être équilibrée et la laveuse ne doit pas être surchargée. Les charges doivent pouvoir culbuter librement durant le lavage.

Blanc grisâtre, couleurs défraîchies

- **Avez-vous bien trié la charge?**
Le transfert de teinture peut se produire lors du mélange d'articles blancs et de couleur dans une même charge. Séparer le linge de teinte foncée des articles blancs ou clairs.
- **La température de lavage est-elle trop basse?**
Utiliser les lavages à l'eau chaude ou tiède si sans danger pour le tissu. S'assurer que votre système d'eau chaude permet d'effectuer un lavage à l'eau chaude.
- **Avez-vous utilisé suffisamment de détergent, ou avez-vous de l'eau dure?**
Utiliser plus de détergent pour laver la saleté intense à l'eau froide ou à l'eau dure.

Programme trop long

- **Avez-vous choisi le programme Sanitary (Sanitaire)?**
Le chauffe-eau sera activé pour fournir le rendement de nettoyage maximal. Un temps additionnel sera ajouté au programme régulier pour chauffer l'eau. Ce temps additionnel dépendra de la taille de la charge et de la température à l'entrée d'eau chaude.
- **Le mot "SUD" apparaît-il sur l'affichage?**
Un excès de mousse savonneuse a été détecté et une action corrective pour la mousse a été mise en marche pour éliminer l'excès de mousse. Cette action ajoutera du temps au programme original.
- **La charge a-t-elle provoqué un déséquilibre?**
Lorsqu'il y a un trop grand déséquilibre, une caractéristique spéciale se mettra en marche pour redistribuer la charge. Cette caractéristique augmentera la durée de votre programme original.

Porte verrouillée à la fin du programme de lavage

- **Est-ce que toute l'eau s'est écoulée de la laveuse durant l'essorage?**
Choisir DRAIN/SPIN (Vidange/essorage) pour enlever toute l'eau qui reste dans la laveuse. La porte de la laveuse se déclenchera à la fin de la vidange.

ASSISTANCE OU SERVICE

Avant de téléphoner pour assistance ou service, veuillez vérifier "Dépannage". Ceci pourrait vous éviter le coût d'une visite de service. Si vous avez encore besoin d'aide, veuillez suivre les instructions ci-dessous.

Lors de l'appel, il faut connaître la date d'achat et les numéros de modèle et de série complets de votre appareil ménager. Ces renseignements nous aideront à mieux répondre à votre demande.

Si vous avez besoin de pièces de rechange

Si vous avez besoin de commander des pièces de rechange, nous vous recommandons d'utiliser seulement des pièces d'origine FSP®. Ces pièces de rechange conviendront et fonctionneront bien parce qu'elles sont fabriquées selon les mêmes spécifications précises utilisées pour construire chaque nouvel appareil électroménager WHIRLPOOL®.

Pour localiser des pièces de rechange FSP® dans votre région :

Aux États-Unis, téléphoner au Centre d'interaction avec la clientèle au **1-800-253-1301**, ou téléphoner à votre Centre de service désigné le plus proche.

Au Canada, composer le **1-800-807-6777**, ou votre Centre de service désigné le plus proche.

Aux États-Unis

Téléphoner au Centre d'interaction avec la clientèle de Whirlpool sans frais au : **1-800-253-1301**.

Nos consultants fournissent l'assistance pour :

- Caractéristiques et spécifications sur notre gamme complète d'appareils ménagers
- Renseignements d'installation
- Procédés d'utilisation et d'entretien
- Vente d'accessoires et de pièces de rechange
- Assistance spécialisée aux clients (langue espagnole, malentendants, malvoyants, etc.)
- Les références aux concessionnaires, compagnies de service de réparation et distributeurs de pièces de rechange locaux

Les techniciens de service désignés par Whirlpool sont formés pour remplir la garantie des produits et fournir un service après garantie partout aux États-Unis.

Pour localiser la compagnie de service désignée par Whirlpool dans votre région, vous pouvez consulter les Pages jaunes de votre annuaire téléphonique.

Pour plus d'assistance

Si vous avez besoin de plus d'assistance, vous pouvez écrire en soumettant toute question ou tout problème à :

Whirlpool Corporation
Customer Interaction Center
553 Benson Road
Benton Harbor, MI 49022-2692

Dans votre correspondance, veuillez indiquer un numéro de téléphone où l'on peut vous joindre dans la journée.

Au Canada

Téléphoner sans frais au Centre d'interaction avec la clientèle de Whirlpool Canada Inc. au :

1-800-461-5681 du lundi au vendredi - de 8 h 00 à 18 h 00 (HNE).
Samedi - 8 h 30 à 16 h 30 (HNE)

Nos consultants fournissent l'assistance pour :

- Caractéristiques et spécifications de notre gamme complète d'appareils électroménagers
- Les références aux concessionnaires locaux

Pour le service au Canada

Composer le **1-800-807-6777**. Les techniciens de service désignés par Whirlpool Canada Inc. sont formés pour satisfaire la garantie des produits et fournissent le service après la garantie, n'importe où au Canada.

Pour plus d'assistance

Si vous avez besoin de plus d'assistance, vous pouvez écrire à Whirlpool Canada Inc. en soumettant toute question ou tout problème au :

Centre d'interaction avec la clientèle
Whirlpool Canada Inc.
1901 Minnesota Court
Mississauga, Ontario L5N 3A7

Veuillez indiquer dans votre correspondance un numéro de téléphone où l'on peut vous joindre durant la journée.

GARANTIE DE LA LAVEUSE WHIRLPOOL®

GARANTIE COMPLÈTE DE UN AN

Pendant un an à compter de la date d'achat, lorsque cette laveuse est utilisée et entretenue conformément aux instructions jointes à ou fournies avec le produit, Whirlpool Corporation paiera pour les pièces de rechange FSP® et les frais de main-d'oeuvre pour corriger les vices de matériaux ou de fabrication. Le service doit être fourni par une compagnie de service désignée par Whirlpool.

GARANTIE LIMITÉE DE LA DEUXIÈME ANNÉE SUR TOUS LES TABLEAUX DE COMMANDE ÉLECTRONIQUES

Pour la deuxième année à compter de la date d'achat, lorsque cette laveuse est utilisée et entretenue conformément aux instructions jointes à ou fournies avec le produit, Whirlpool Corporation paiera pour les pièces de rechange FSP® pour tous les tableaux de commande électroniques.

GARANTIE LIMITÉE DE LA DEUXIÈME À LA CINQUIÈME ANNÉE INCLUSIVEMENT SUR LE DESSUS EN PORCELAINE OU TACHETÉ, LA COURROIE ET LES POULIES D'ENTRAÎNEMENT

De la deuxième à la cinquième année inclusivement à compter de la date d'achat, lorsque cette laveuse est utilisée et entretenue conformément aux instructions fournies avec le produit, Whirlpool Corporation paiera pour les pièces de rechange FSP® pour ce qui suit en cas de vices de matériaux ou de fabrication : le dessus en porcelaine ou tacheté (contre l'écaillage et la rouille), la courroie et les poulies d'entraînement.

GARANTIE LIMITÉE DE LA DEUXIÈME À LA DIXIÈME ANNÉE INCLUSIVEMENT SUR LA CUVE EXTÉRIEURE

De la deuxième à la dixième année inclusivement à compter de la date d'achat, lorsque cette laveuse est utilisée et entretenue conformément aux instructions fournies avec le produit, Whirlpool Corporation paiera pour les pièces de rechange FSP® pour la cuve extérieure si elle se fissure ou comporte une fuite d'eau, en cas de vices de matériaux ou de fabrication.

GARANTIE LIMITÉE À VIE SUR LE TAMBOUR DE LAVAGE EN ACIER INOXYDABLE

Pendant la vie de la laveuse, lorsque cette laveuse est utilisée et entretenue conformément aux instructions jointes à ou fournies avec le produit, Whirlpool Corporation paiera pour les pièces de rechange FSP® pour le tambour de lavage en acier inoxydable, en cas de vices de matériaux ou de fabrication.

Whirlpool Corporation ne paiera pas pour :

1. Les visites de service pour rectifier l'installation de la laveuse, montrer à l'utilisateur comment utiliser la laveuse ou remplacer des fusibles ou rectifier le câblage électrique ou la plomberie du domicile.
2. Les réparations lorsque la laveuse est utilisée à des fins autres que l'usage unifamilial normal.
3. Les dommages imputables à : accident, modification, mésusage ou abus, incendie, inondation, actes de Dieu, installation fautive ou installation non conforme aux codes locaux d'électricité et de plomberie ou utilisation de produits non approuvés par Whirlpool Corporation ou Whirlpool Canada Inc.
4. Les frais de main-d'œuvre au cours des périodes de garantie limitée.
5. Le coût des pièces de rechange et de la main-d'œuvre pour les appareils utilisés hors des États-Unis et du Canada.
6. Le ramassage et la livraison. Ce produit est conçu pour être réparé à domicile.
7. Les réparations des pièces ou systèmes résultant d'une modification non autorisée faite à l'appareil.
8. Au Canada, les frais de voyage ou de transport pour les clients qui habitent dans des régions éloignées.

WHIRLPOOL CORPORATION ET WHIRLPOOL CANADA INC. N'ASSUMENT AUCUNE RESPONSABILITÉ POUR LES DOMMAGES FORTUITS OU INDIRECTS.

Certains États et certaines provinces ne permettent pas l'exclusion ou la limitation des dommages fortuits ou indirects de sorte que cette exclusion ou limitation peut ne pas être applicable dans votre cas. Cette garantie vous confère des droits juridiques spécifiques et vous pouvez également jouir d'autres droits qui peuvent varier d'un État à un autre ou d'une province à une autre.

À l'extérieur du Canada et des 50 États des États-Unis, cette garantie ne s'applique pas. Contacter votre marchand Whirlpool autorisé pour déterminer si une autre garantie s'applique.

Si vous avez besoin de service, consulter d'abord la section "Dépannage". On peut trouver de l'aide supplémentaire à la section "Assistance ou service" ou en téléphonant à notre Centre d'interaction avec la clientèle au **1-800-253-1301**, de n'importe où aux É.-U. ou en écrivant à : Whirlpool Corporation, Customer Interaction Center, 553 Benson Road, Benton Harbor, MI 49022-2692. Au Canada, téléphoner à Whirlpool Canada Inc. au **1-800-807-6777**.

5/01

Conservez ce manuel et votre reçu de vente ensemble pour référence ultérieure. Pour le service sous garantie, vous devez présenter un document prouvant la date d'achat ou d'installation.

Inscrivez les renseignements suivants au sujet de votre laveuse pour mieux vous aider à obtenir assistance ou service en cas de besoin. Vous devrez connaître le numéro de modèle et le numéro de série au complet. Vous pouvez trouver cette information sur la plaque signalétique de votre appareil.

Nom du marchand _____

Adresse _____

Numéro de téléphone _____

Numéro de modèle _____

Numéro de série _____

Date d'achat _____



4619 7022 0381

© 2003 Whirlpool Corporation.
All rights reserved.
Tous droits réservés.

® Registered Trademark/TM Trademark of Whirlpool, U.S.A.,
Whirlpool Canada Inc. Licensee in Canada
The Woolmark symbol is a registered trademark of The Woolmark Company.
® Marque déposée/TM Marque de commerce de Whirlpool, U.S.A.,
Emploi licencié par Whirlpool Canada Inc. au Canada
Le symbole Woolmark est une marque de commerce déposée de The Woolmark Company.

10/03
Printed in Germany
Imprimé en Allemagne

