



INDOOR COOKING

All-Gas Range

KRG

Installation Manual

 HESTAN

⚠️ WARNING

IF THE INFORMATION IN THIS MANUAL IS NOT FOLLOWED EXACTLY, A FIRE OR EXPLOSION MAY RESULT CAUSING PROPERTY DAMAGE, PERSONAL INJURY, OR DEATH.

Do not store or use gasoline or other flammable vapors and liquids in the vicinity of this or any other appliance.

WHAT TO DO IF YOU SMELL GAS:

1. Do not try and light any appliance.
2. Do not touch any electrical switch.
3. Do not use any phone in your building.
4. Immediately call your gas supplier from a neighbor's phone. Follow the gas supplier's instructions.
5. If you cannot reach your gas supplier, call the fire department.

Installation and service must be performed by a qualified installer, service agency, or the gas supplier.

READ THESE INSTRUCTIONS CAREFULLY AND COMPLETELY BEFORE INSTALLING OR USING YOUR APPLIANCE TO REDUCE THE RISK OF FIRE, BURN HAZARD, OR OTHER INJURY. KEEP THIS MANUAL FOR FUTURE REFERENCE.

SAFETY DEFINITIONS

⚠️ WARNING

THIS INDICATES THAT DEATH OR SERIOUS INJURY MAY OCCUR AS A RESULT OF NOT OBSERVING THIS WARNING.

⚠️ CAUTION

THIS INDICATES THAT MINOR OR MODERATE INJURY MAY OCCUR AS A RESULT OF NOT OBSERVING THIS WARNING.

NOTICE

THIS INDICATES THAT DAMAGE TO THE APPLIANCE OR PROPERTY MAY OCCUR AS A RESULT OF NOT OBSERVING THIS WARNING.

INSTALLER: LEAVE THIS MANUAL WITH THE OWNER OF THE APPLIANCE.
HOMEOWNER: RETAIN THIS MANUAL FOR FUTURE REFERENCE.

⚠️ WARNING

TIP OVER HAZARD

A child or adult can tip over a range and be killed.

Check installation of the anti-tip device per the Installation Manual. Do not operate the range without this device in place.

Check engagement of anti-tip device if range is moved, such as when cleaning behind the unit.

To check engagement, carefully tip the range forward while pulling from the rear of the unit. The range should not move more than 1 inch [2.5cm].

Failure to follow these instructions can result in death or serious burns to children and adults.

To reduce the risk of burns, do not move this appliance while hot.



TABLE OF CONTENTS

1	SAFETY PRECAUTIONS - BEFORE YOU BEGIN
2	MODEL NUMBERS
3	RATING LABEL
3	REGULATORY / CODE REQUIREMENTS
3	LOCATION AND INSTALLATION / VENTILATION
14	BACKGUARD AND ACCESSORIES
14	INSTALLATION OF ANTI-TIP DEVICE
16	ELECTRICAL CONNECTIONS
17	GAS CONNECTION
19	FINAL SETUP
20	SERVICE
21	APPENDIX

SAFETY PRECAUTIONS - BEFORE YOU BEGIN

When properly cared for, your Hestan appliance will provide safe, reliable service for many years. When using this appliance, basic safety practices must be followed as outlined below.

IMPORTANT: Save these instructions for the local Gas or Utility Inspector's use.

INSTALLER: Please leave these Installation Instructions with the owner.

OWNER: Please retain these Installation Instructions for future reference.

This range is NOT designed for installation in manufactured (mobile) homes or recreational park trailers. Do NOT install this range outdoors.

▲WARNING

ELECTRICAL SHOCK HAZARD

Disconnect power before installing or servicing appliance. Before turning power ON, be sure all controls are in the OFF position. Failure to do so can result in electrical shock or death.

ELECTRICAL GROUNDING

This appliance must be grounded. Grounding reduces the risk of electric shock in the event of a short circuit. Read the ELECTRICAL CONNECTIONS section of this manual for complete instructions.

This appliance is equipped with a 3-prong grounding plug for your protection against shock hazard and should be directly plugged into a properly grounded receptacle. Do not cut or remove the grounding prong from this plug.

ELECTRICAL SUPPLY

The appliance must be on its own dedicated circuit - 120 VAC, Single Phase, 60 Hz, with a current rating as shown in the model number listing on pg. 2. Have the installer show you where the electric circuit breaker is located so you know how to shut off the power to this appliance. It is the responsibility of the user to have the appliance connected by a licensed electrician in accordance with all local codes, or in the absence of local codes, in accordance with the National Electrical Code. Read the ELECTRICAL CONNECTIONS section of this manual for complete details.

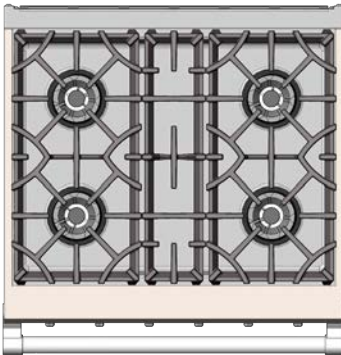


MODEL NUMBERS

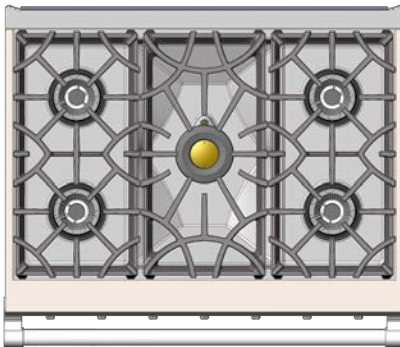
RANGE MODELS

EN

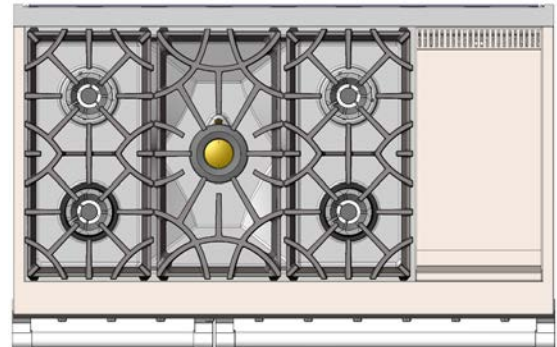
MODEL NO.	DESCRIPTION	CIRCUIT BREAKER REQUIRED
KRG304-NG / -LP	30" GAS RANGE WITH 4 BURNERS	15 Amp
KRG365-NG / -LP	36" GAS RANGE WITH 5 BURNERS	15 Amp
KRG364GD-NG / -LP	36" GAS RANGE WITH 4 BURNERS & GRIDDLE	15 Amp
KRG485-NG / -LP	48" GAS RANGE WITH 5 BURNERS & 12" GRIDDLE	15 Amp
KRG484GD-NG / -LP	48" GAS RANGE WITH 4 BURNERS & 24" GRIDDLE	15 Amp



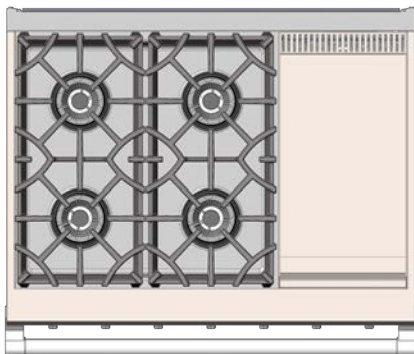
KRG304



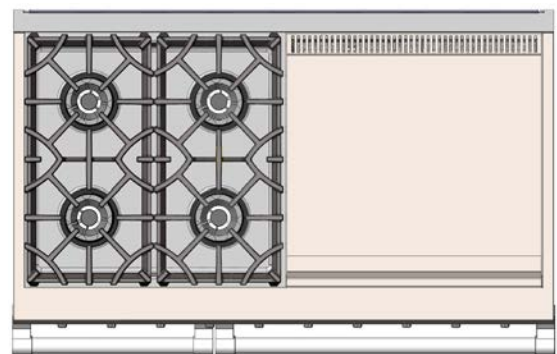
KRG365



KRG485GD



KRG364GD




KRG484GD

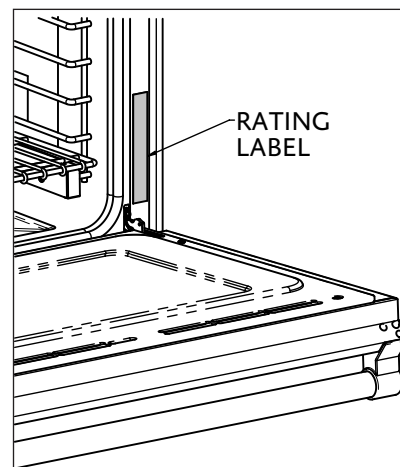
RATING LABEL

The rating label contains important information about your Hestan appliance such as the model and serial number, gas type and manifold pressure, electrical rating, the BTU rating for each burner type, and the minimum installation clearances.

The rating label is located on the right side of the oven cavity opening near the door hinge.

If service is necessary, contact Hestan Customer Care with the model and serial number information shown on the label.

HESTAN COMMERCIAL CORP ANAHEIM, CA - USA		MODEL / MODELE		SER. NO. / NO. SER.		PATENTED: http://www.hestanhome.com/patents.pdf	
VOLTS	60	BURNER RATINGS (BTU/HOUR)				MIN. CLEARANCES / DEGAGEMENTS	
Hz	60	RIGHT BURNER (BROILER/GRILL)	REAR BURNER (BROILER/GRILL)	SINGLE PLAZUE CHAUFOUR	UPPER BURNER (BROILER FOUR SUPREUR)	LOWER BURNER (BROILER FOUR INFEREUR)	CONFORMS TO ANSI Z21.1-2014 - CSA I-1-2014 HOUSEHOLD COOKING GAS APPLIANCE CONFORME A LA NORME ANSI Z21.1-2014 - CSA I-1-2014 APPAREIL ELECTROMENAGER DE CUISON AU GAZ VENTED UNIT - SEE INSTALLATION MANUAL UNITE VENTILEE - VOIR LE MANUEL D'INSTALLATION
PHASE	1	OUTLET PRESSURE (PRESS. SORTIE)					
AMPS		INCH W.C. (MPa)					
						MIN. CLEARANCES / DEGAGEMENTS	
						TO TOP OF CABINET	
						TO BOTTOM OF CABINET	
						TO FRONT OF CABINET	
						TO REAR OF CABINET	



EN

REGULATORY / CODE REQUIREMENTS

Installation of this cooking appliance must be made in accordance with local codes. In the absence of local codes, this unit should be installed in accordance with the National Fuel Gas Code *ANSI Z223.1/NFPA 54*, Natural Gas and Propane Installation code *CSA B149.1*, or Propane Storage and Handling Code *B149.2*.

All Electrical Components must be electrically grounded in accordance with local codes or in the absence of local codes with the National Electrical Code *ANSI/NFPA 70*, or Canadian Electrical code *CSA C22.1*.

STATE OF MASSACHUSETTS

Massachusetts requires all gas be installed using a plumber or gas fitter carrying the appropriate Massachusetts license. All permanently installed natural gas or propane installations require a T handle type manual gas valve be installed in the gas supply line to this appliance. Flexible gas connector must not be longer than 48" [1.2 m].

CALIFORNIA PROPOSITION 65 - WARNING



WARNING: This product can expose you to chemicals including carbon monoxide, which is known to the State of California to cause birth defects or other reproductive harm. For more information, go to www.P65Warnings.ca.gov.

LOCATION AND INSTALLATION / VENTILATION

UNPACKING AND PLACEMENT

Remove the outer carton and packing materials from the shipping pallet. Do not remove the plastic film covering the stainless-steel surfaces. This film protects the finish from scratches until the appliance is installed in its final position.

The unit is very heavy and should be handled with care. Use proper safety equipment, such as gloves, and at least 2 persons to move the appliance into position to avoid injury and to avoid damage to the floor or the appliance itself.

NOTICE DO NOT USE A HAND TRUCK OR DOLLY ON THE FRONT OR REAR OF THE RANGE. HANDLE AND MOVE FROM THE SIDES ONLY.

Do not lift or carry the appliance by the oven door or handle. This could damage the door hinges.

LOCATION AND INSTALLATION / VENTILATION (CONTINUED)

The range is held onto the pallet with 4 large shipping bolts on both sides. Remove these bolts and then move the range to the floor with the help of 2 persons.

PREPARATION

Before moving the range, protect any finished flooring and secure the oven door(s) closed to prevent damage.

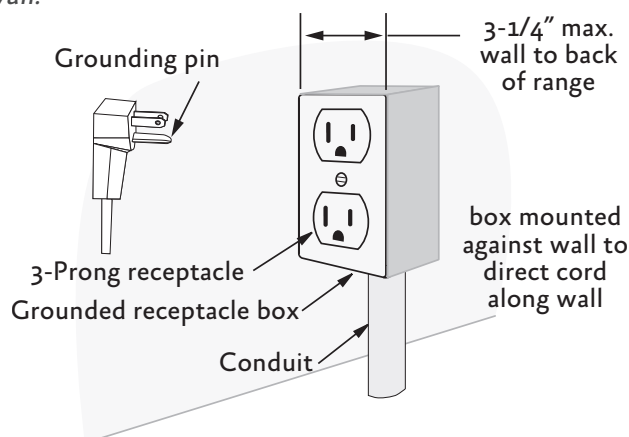
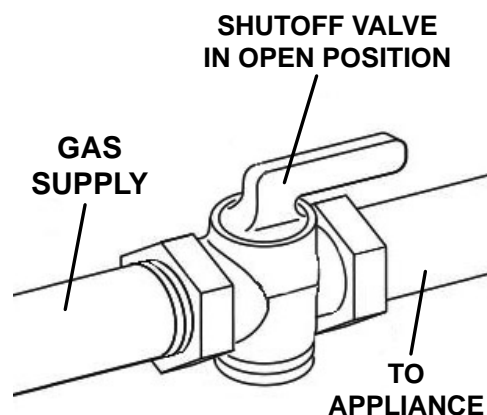
GAS AND ELECTRICAL SUPPLY CLEARANCES

If not already in place, install a gas shut-off valve in an easily accessible location for servicing of the range. Make sure all users of the range know where this shut-off is located, and how to shut off the gas. Any openings in the wall or floor behind the appliance must be sealed. The Installation Clearances on the following pages show where the "G" and "E" zones should be located.

The range is designed to be installed nearly flush to the rear wall*. It may be necessary to reposition the gas supply and power receptacle / junction box in order to accommodate the range when pushed back against the wall.

The back of the range is recessed 3-1/4" [8.3 cm] to provide room for the cord and gas pipe. If using a wall-mounted junction box/outlet, it may need to be mounted to direct the cord along the wall instead of toward the range.

* Unless installed in an island with no rear wall.



CABINETRY

To eliminate the risk of burns or fire by reaching over heated surface units, cabinet storage space located above the surface units should be avoided. If cabinet storage is to be provided, the risk can be reduced by installing the required vent hood that projects horizontally a minimum of 5" [12.7 cm] beyond the bottom of the cabinets.

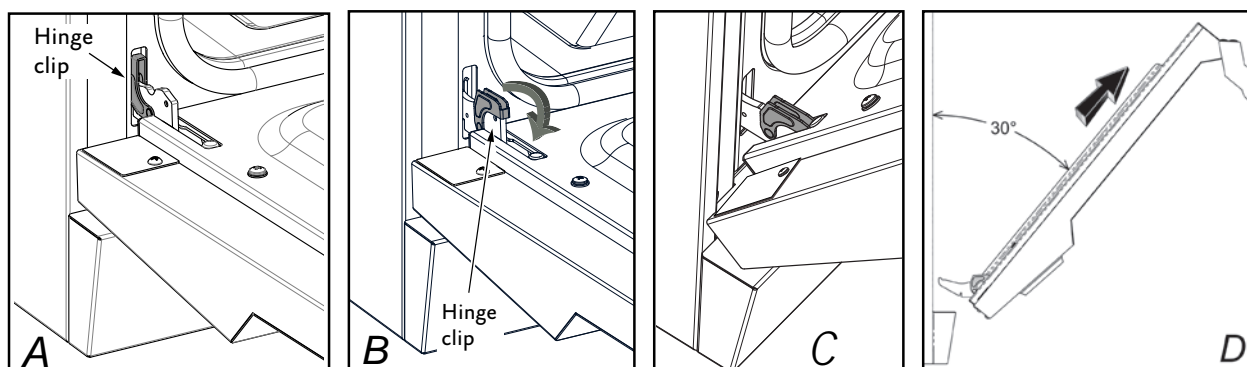
LOCATION AND INSTALLATION/VENTILATION (CONTINUED)

EN

OVEN DOOR REMOVAL

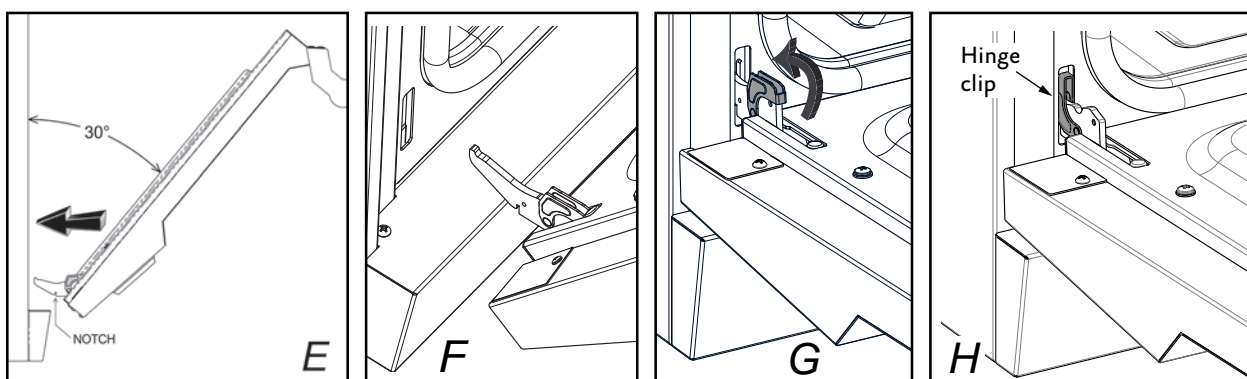
If you have a very narrow door opening to your kitchen, the oven door(s) can be removed. REMOVE ONLY IF ABSOLUTELY NECESSARY. Door removal should only be done by a certified installer or service technician. Be sure the oven has completely cooled and the electrical power is off. Failure to do so may result in electric shock or burn injury. Use caution when removing the door, it is very heavy.

1. Open oven door completely.
2. At each hinge location, swing the hinge clip forward until it stops. A screwdriver may be needed to do this. [B]
3. Gently close the oven door until it stops against the hinge clips, or approximately 30° from the closed position. Hold on firmly to both sides of the door (not the handle) and pull the door straight up off the hinges. Place the oven door in a safe location until needed. NEVER release the hinge clips and try to close the hinges. Doing so will snap the hinges closed with great force which could cause injury. [C & D]



RE-INSTALL OVEN DOOR

1. Hold the door firmly on both sides (NOT FROM THE HANDLE) at approximately 30° from the closed position and insert the hinges into the slots in the oven. The bottom edge of each hinge has a notch which must seat inside the slot opening. DO NOT FORCE OR BEND OR TWIST THE DOOR! [E & F]
2. Slowly open the door all the way. Swing the hinge clips away from you until completely inside the slot opening and fully seated. A screwdriver may help you do this. [G]
3. Gently close the oven door to check for smooth operation.



LOCATION AND INSTALLATION/VENTILATION (CONTINUED)

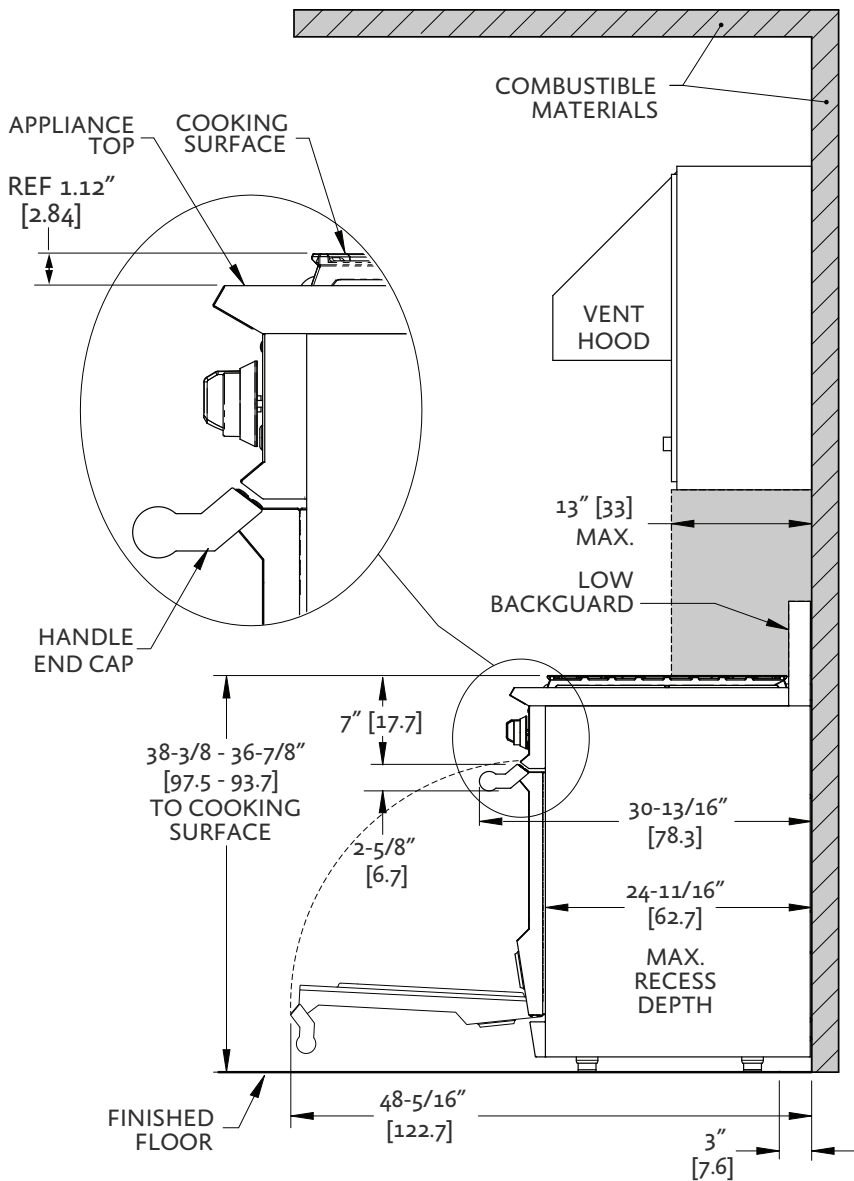
LEVELING

The range must be level, especially those models featuring a griddle. Raise or lower the range to the desired height by adjusting the four leveling legs under the range (48" units have 6 legs). The legs can be turned by hand. It may be necessary to use a lever or other lifting device to assist in temporarily raising the unit to turn the legs. Do not lift or lever from the front or back, only from the sides.

The appliance top must be level or higher than the adjacent countertop surfaces. Failure to adjust the height may expose the adjacent cabinets to excessive heat which may damage the cabinets or countertop.



INSTALLATION CLEARANCES WITH LOW BACKGUARD



DIMENSIONS IN BRACKETS [] ARE IN CM.

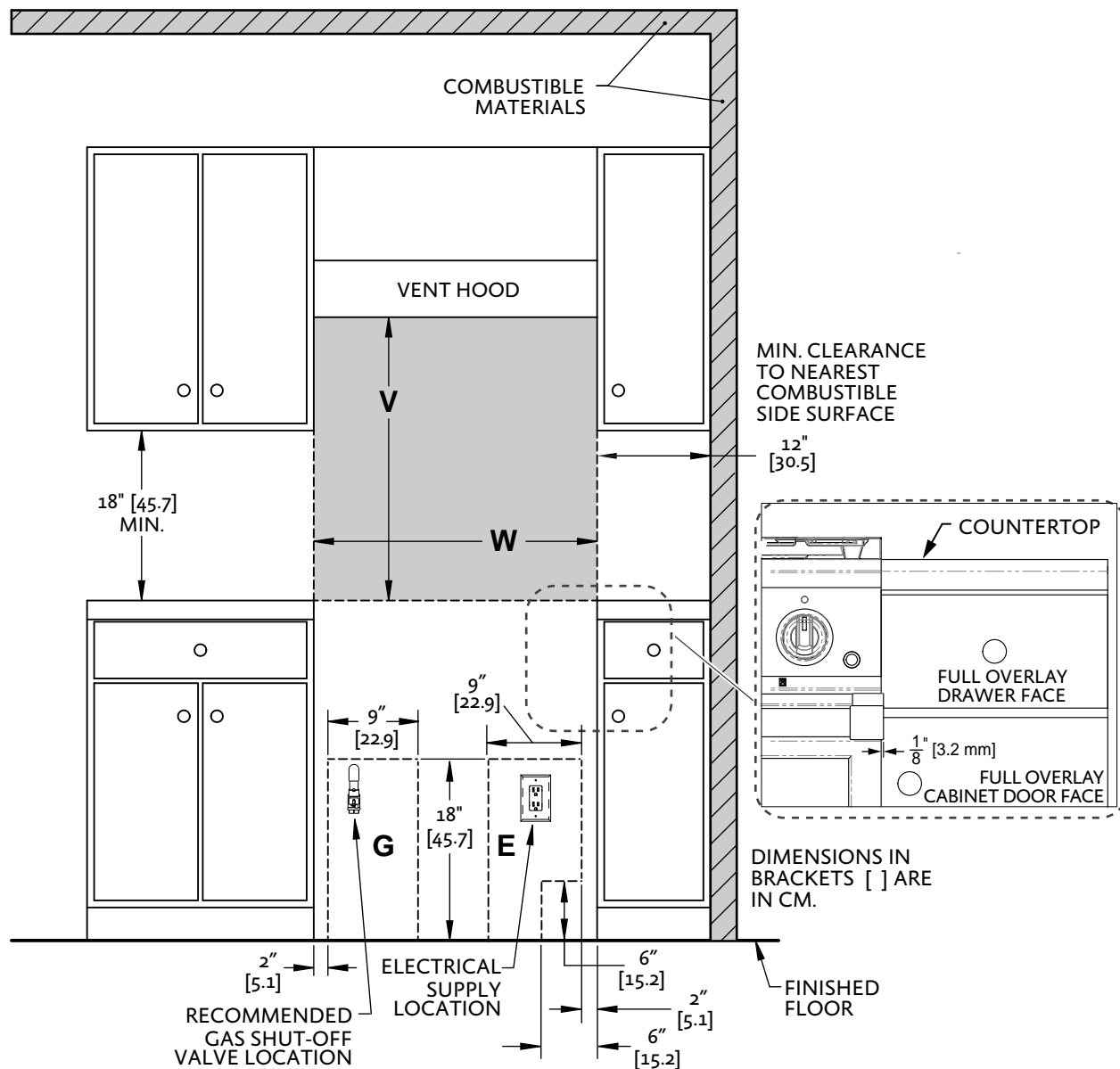
LOCATION OF GAS AND ELECTRICAL ON FLOOR

SIDE VIEW

LOCATION AND INSTALLATION/VENTILATION (CONTINUED)

EN

INSTALLATION CLEARANCES 30" WITH LOW BACKGUARD



FRONT VIEW

RANGE MODEL	W	V (MIN)
KRG304	30" [76,2]	30" [76,2]

NOTES:

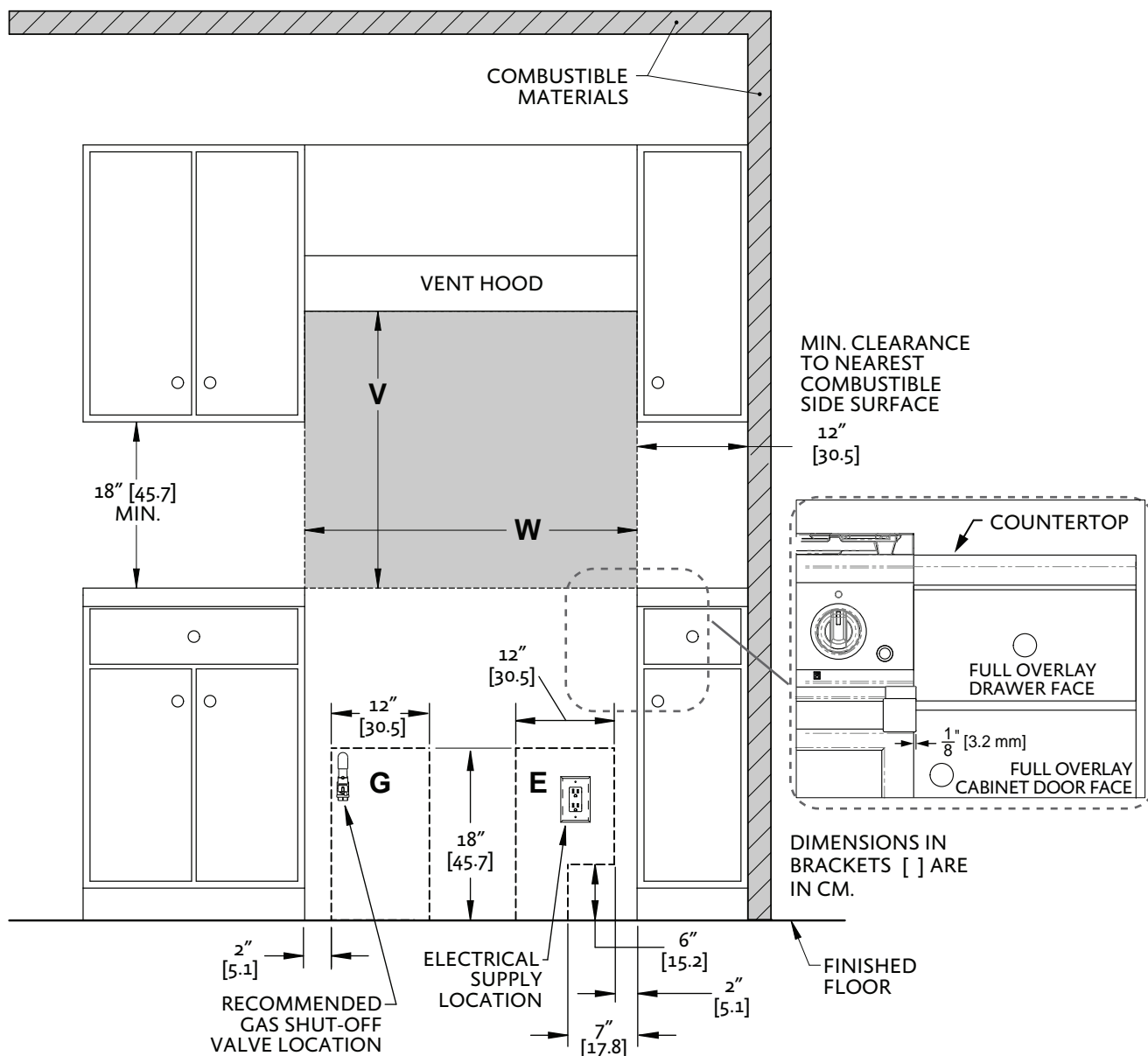
- SHADED AREAS INDICATE WHERE COMBUSTIBLE MATERIALS ARE NOT ALLOWED.
- APPLIANCE TOP MUST BE LEVEL OR HIGHER THAN THE ADJACENT COUNTERTOP SURFACES.
- "G" IS GAS CONNECTION ZONE ON REAR WALL. MOUNT SHUT-OFF VALVE AS HIGH AS POSSIBLE IN THIS ZONE FOR EASY ACCESS WHEN RANGE IS INSTALLED.
- "E" IS ELECTRICAL SUPPLY ZONE.
- "W" IS APPLIANCE OPENING.
NOTE: HANDLE END CAPS PROTRUDE 1/8" BEYOND EACH SIDE OF THE RANGE. ALLOWANCE MAY BE NEEDED FOR ADJACENT DRAWERS OR CABINETS.
- "V" IS MIN. CLEARANCE TO REQUIRED VENTILATION HOOD.



LOCATION AND INSTALLATION/VENTILATION (CONTINUED)

INSTALLATION CLEARANCES 36" WITH LOW BACKGUARD

EN



FRONT VIEW

RANGE MODEL	W	V (MIN)
KRG365	36" [91.4]	30" [76.2]
KRG364GD	36" [91.4]	30" [76.2]

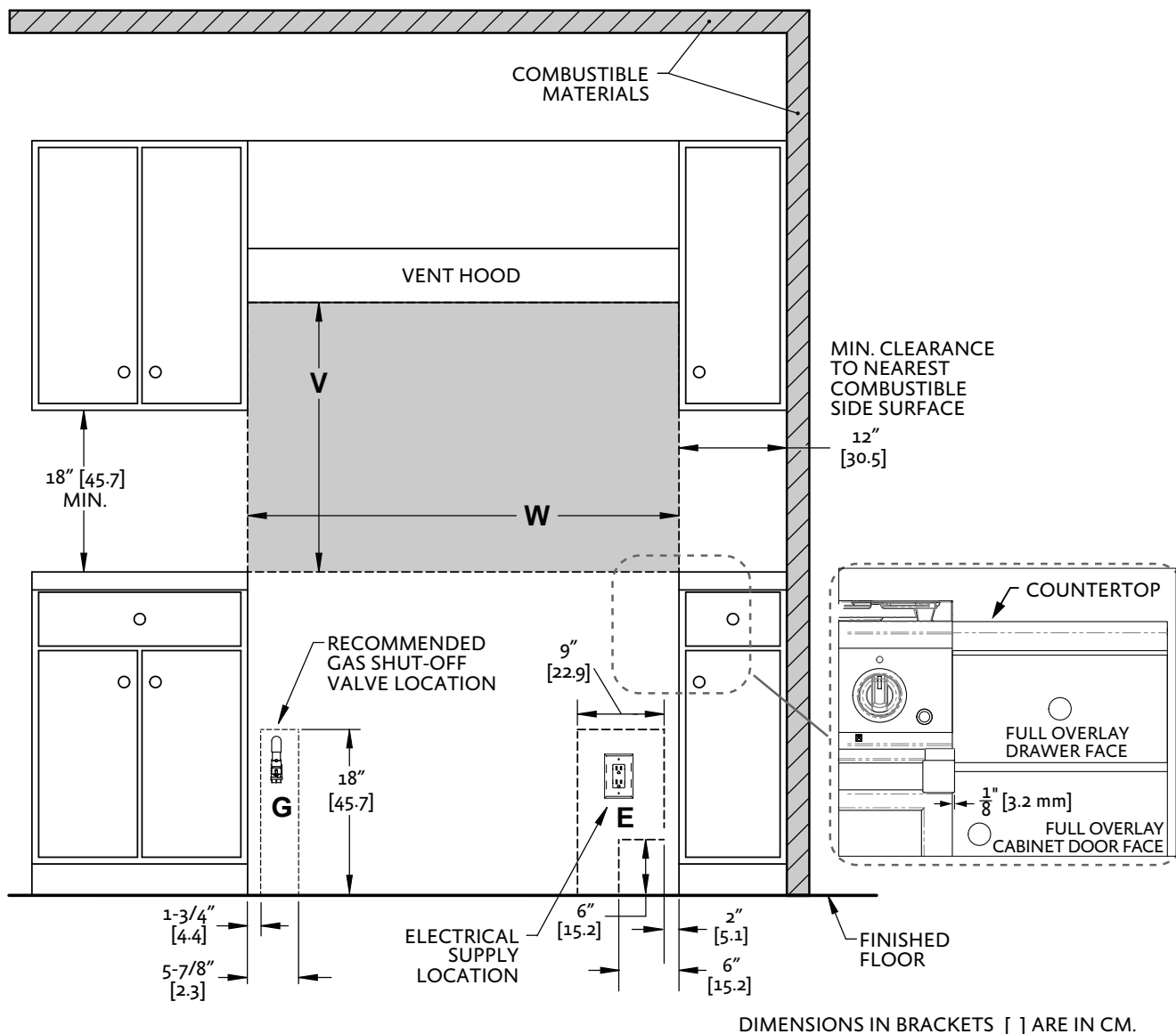
NOTES:

- SHADED AREAS INDICATE WHERE COMBUSTIBLE MATERIALS ARE NOT ALLOWED.
- APPLIANCE TOP MUST BE LEVEL OR HIGHER THAN THE ADJACENT COUNTERTOP SURFACES.
- "G" IS GAS CONNECTION ZONE ON REAR WALL. MOUNT SHUT-OFF VALVE AS HIGH AS POSSIBLE IN THIS ZONE FOR EASY ACCESS WHEN RANGE IS INSTALLED.
- "E" IS ELECTRICAL SUPPLY ZONE.
- "W" IS APPLIANCE OPENING.
NOTE: HANDLE END CAPS PROTRUDE 1/8" BEYOND EACH SIDE OF THE RANGE. ALLOWANCE MAY BE NEEDED FOR ADJACENT DRAWERS OR CABINETS.
- "V" IS MIN. CLEARANCE TO REQUIRED VENTILATION HOOD.

LOCATION AND INSTALLATION/VENTILATION (CONTINUED)

INSTALLATION CLEARANCES 48" WITH LOW BACKGUARD

EN



FRONT VIEW

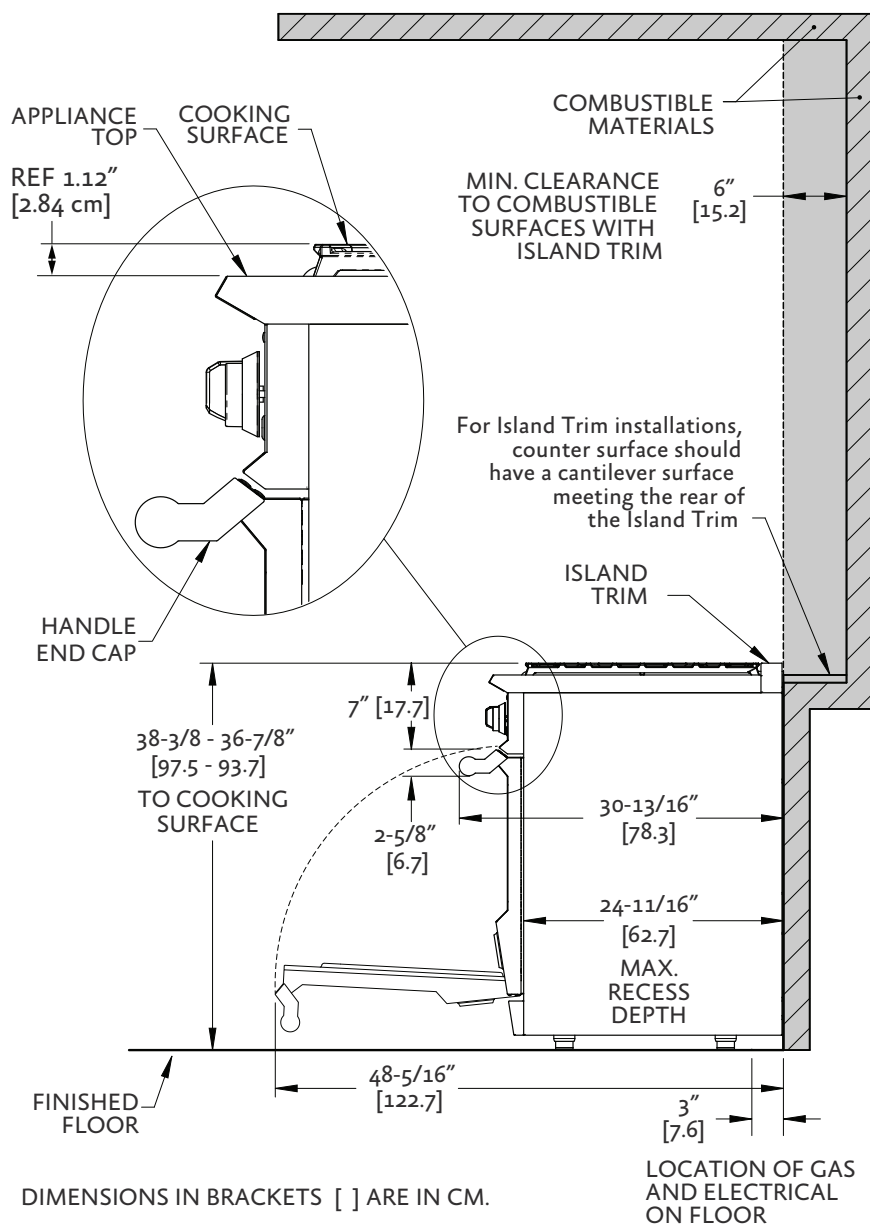
RANGE MODEL	W	V (MIN)
KRG485GD	48" [121.9]	30" [76.2]
KRG484GD	48" [121.9]	30" [76.2]

NOTES:

- SHADED AREAS INDICATE WHERE COMBUSTIBLE MATERIALS ARE NOT ALLOWED.
- APPLIANCE TOP MUST BE LEVEL OR HIGHER THAN THE ADJACENT COUNTERTOP SURFACES.
- "G" IS GAS CONNECTION ZONE ON REAR WALL. MOUNT SHUT-OFF VALVE AS HIGH AS POSSIBLE IN THIS ZONE FOR EASY ACCESS WHEN RANGE IS INSTALLED.
- "E" IS ELECTRICAL SUPPLY ZONE.
- "W" IS APPLIANCE OPENING.
NOTE: HANDLE END CAPS PROTRUDE 1/8" BEYOND EACH SIDE OF THE RANGE. ALLOWANCE MAY BE NEEDED FOR ADJACENT DRAWERS OR CABINETY.
- "V" IS MIN. CLEARANCE TO REQUIRED VENTILATION HOOD.

LOCATION AND INSTALLATION/VENTILATION (CONTINUED)

INSTALLATION CLEARANCES WITH ISLAND TRIM



SIDE VIEW

VENTILATION REQUIREMENTS

A vent hood is **REQUIRED** above this appliance. It is strongly recommended that this appliance be installed with a Hestan vent hood. Due to the high heat output of this range, it is very important that the hood and ductwork installation meets local building codes and is installed by a qualified technician.

Do not use a down-draft style ventilation system.

Do not mount a microwave oven/ventilator combination above the range. These type of units do not have sufficient airflow to remove the high heat output of this range and were not tested with this type of appliance.

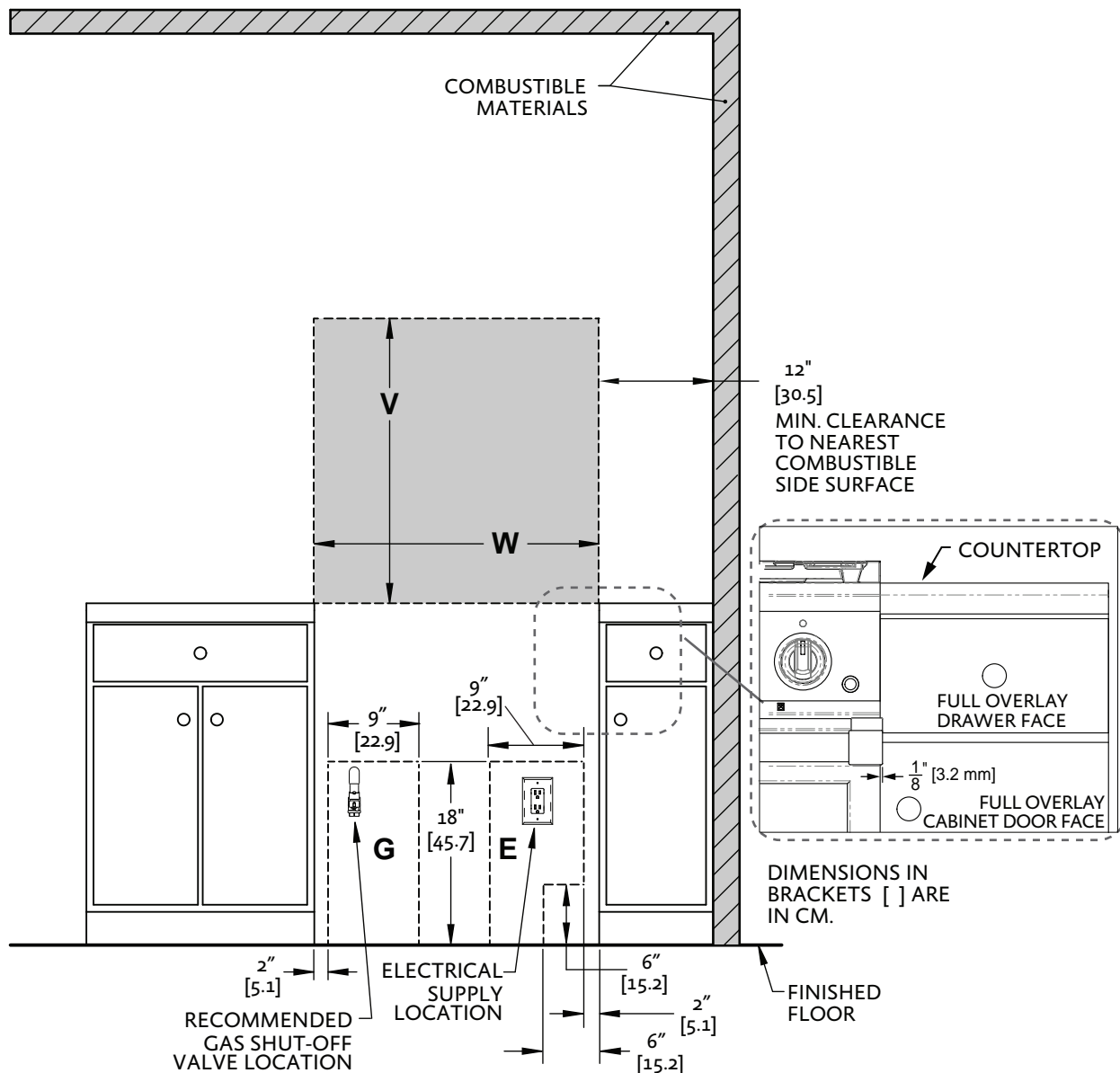
For non-Hestan approved vent hoods, the vent hood and/or blower unit must be rated for 1 CFM [1.7 m³/hr] for every 100 BTU [.03 kW]. (See rating plate for BTU rating of your unit.)

- If the range has a 12" Griddle, add an additional 200 CFM [340 m³/hr] to the blower capacity.

LOCATION AND INSTALLATION/VENTILATION (CONTINUED)

EN

INSTALLATION CLEARANCES 30" WITH ISLAND TRIM



FRONT VIEW

RANGE MODEL	W	V (MIN)
KRG304	30" [76,2]	30" [76,2]

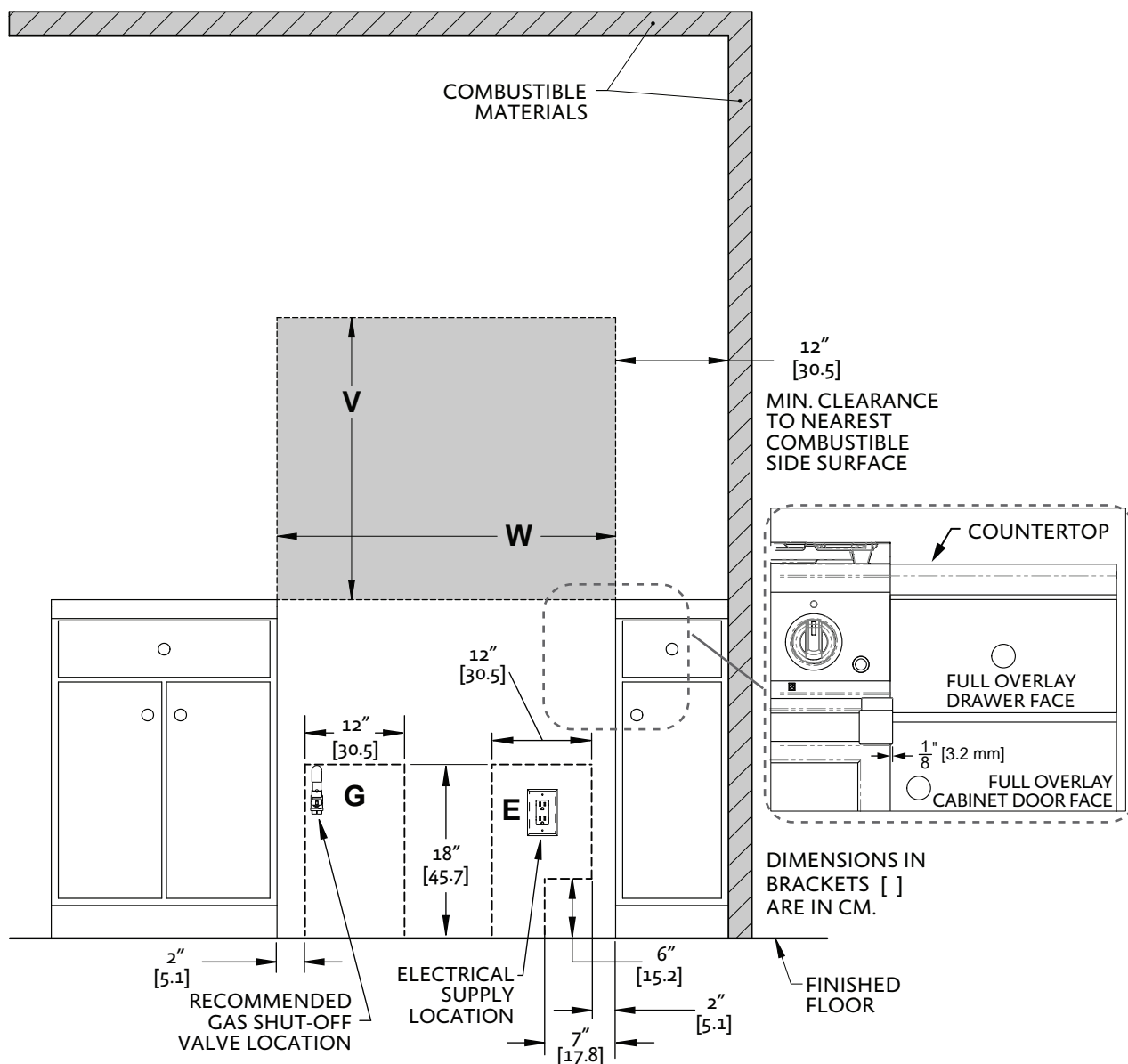
NOTES:

- SHADED AREAS INDICATE WHERE COMBUSTIBLE MATERIALS ARE NOT ALLOWED.
- APPLIANCE TOP MUST BE LEVEL OR HIGHER THAN THE ADJACENT COUNTERTOP SURFACES.
- "G" IS GAS CONNECTION ZONE ON REAR WALL. MOUNT SHUT-OFF VALVE AS HIGH AS POSSIBLE IN THIS ZONE FOR EASY ACCESS WHEN RANGE IS INSTALLED.
- "E" IS ELECTRICAL SUPPLY ZONE.
- "W" IS APPLIANCE OPENING.
NOTE: HANDLE END CAPS PROTRUDE 1/8" BEYOND EACH SIDE OF THE RANGE. ALLOWANCE MAY BE NEEDED FOR ADJACENT DRAWERS OR CABINETS.
- "V" IS MIN. CLEARANCE TO REQUIRED VENTILATION HOOD.



LOCATION AND INSTALLATION/VENTILATION (CONTINUED)

INSTALLATION CLEARANCES 36" WITH ISLAND TRIM



FRONT VIEW

RANGE MODEL	W	V (MIN)
KRG365	36" [91.4]	30" [76.2]
KRG364GD	36" [91.4]	30" [76.2]

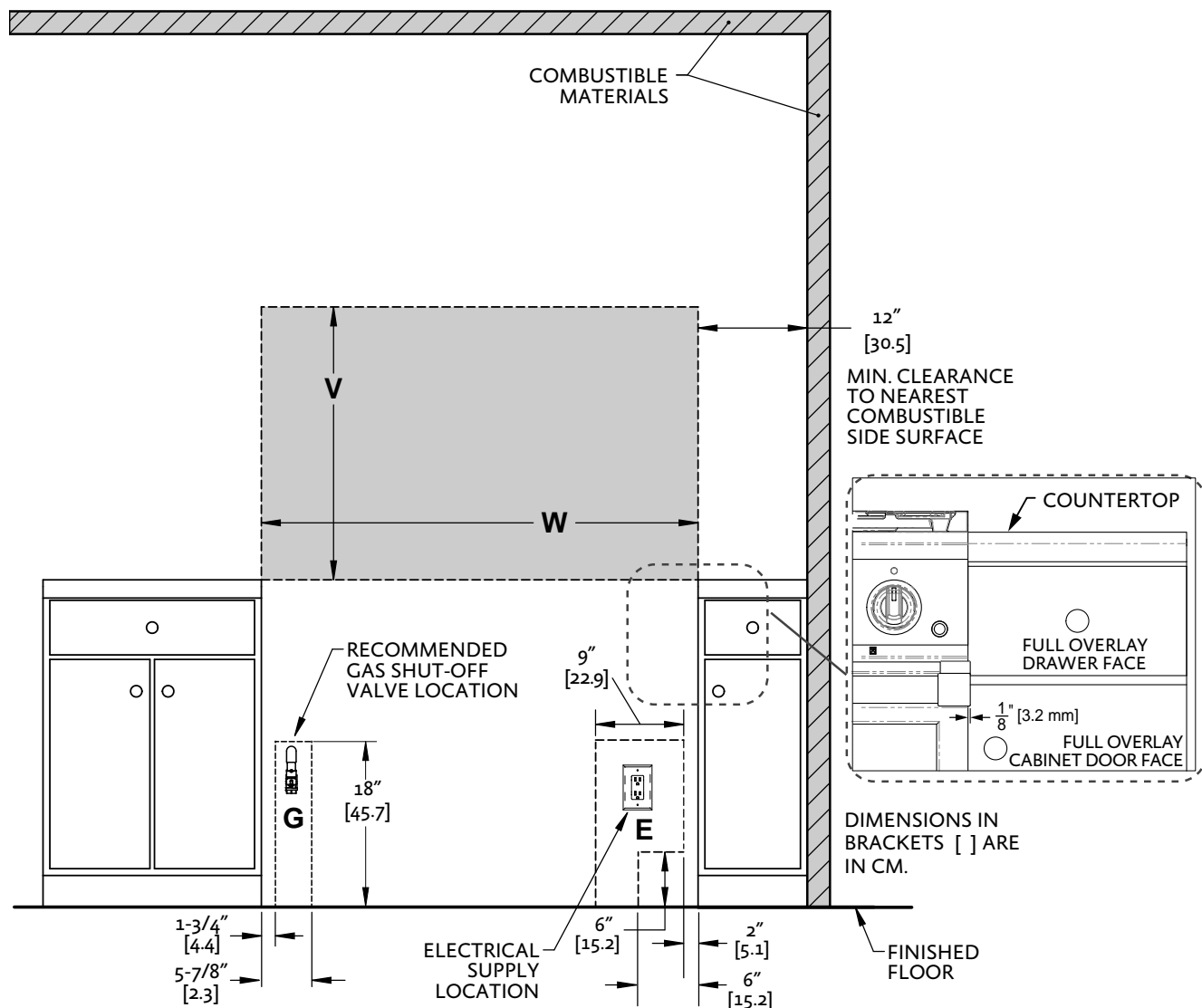
NOTES:

- SHADED AREAS INDICATE WHERE COMBUSTIBLE MATERIALS ARE NOT ALLOWED.
- APPLIANCE TOP MUST BE LEVEL OR HIGHER THAN THE ADJACENT COUNTERTOP SURFACES.
- "G" IS GAS CONNECTION ZONE ON REAR WALL. MOUNT SHUT-OFF VALVE AS HIGH AS POSSIBLE IN THIS ZONE FOR EASY ACCESS WHEN RANGE IS INSTALLED.
- "E" IS ELECTRICAL SUPPLY ZONE.
- "W" IS APPLIANCE OPENING.
NOTE: HANDLE END CAPS PROTRUDE 1/8" BEYOND EACH SIDE OF THE RANGE. ALLOWANCE MAY BE NEEDED FOR ADJACENT DRAWERS OR CABINETRY.
- "V" IS MIN. CLEARANCE TO REQUIRED VENTILATION HOOD.

LOCATION AND INSTALLATION/VENTILATION (CONTINUED)

EN

INSTALLATION CLEARANCES 48" WITH ISLAND TRIM



FRONT VIEW

RANGE MODEL	W	V (MIN)
KRG485GD	48" [121,9]	30" [76,2]
KRG484GD	48" [121,9]	30" [76,2]

NOTES:

- SHADED AREAS INDICATE WHERE COMBUSTIBLE MATERIALS ARE NOT ALLOWED.
- APPLIANCE TOP MUST BE LEVEL OR HIGHER THAN THE ADJACENT COUNTERTOP SURFACES.
- "G" IS GAS CONNECTION ZONE ON REAR WALL. MOUNT SHUT-OFF VALVE AS HIGH AS POSSIBLE IN THIS ZONE FOR EASY ACCESS WHEN RANGE IS INSTALLED.
- "E" IS ELECTRICAL SUPPLY ZONE.
- "W" IS APPLIANCE OPENING.
NOTE: HANDLE END CAPS PROTRUDE 1/8" BEYOND EACH SIDE OF THE RANGE. ALLOWANCE MAY BE NEEDED FOR ADJACENT DRAWERS OR CABINETRY.
- "V" IS MIN. CLEARANCE TO REQUIRED VENTILATION HOOD.



LOCATION AND INSTALLATION/VENTILATION *(CONTINUED)*

For island applications, it is recommended to use a vent hood that is 6" [15.2 cm] wider than the appliance, to allow for 3" [7.6 cm] of overlap on the left and right of the appliance.

Keep duct runs as short and straight as possible. Elbows and transition fittings reduce airflow efficiency. Hestan recommends keeping the duct run under 50 ft. [15.2 m].

Consult with your Hestan dealer on selecting the appropriate vent hood for your Hestan appliance.

BACKGUARD AND ACCESSORIES



Sheetmetal accessories such as the backguard, and areas at the rear of the range may have sharp edges. Wear work gloves while handling and installing these items.

BACKGUARD

Your Hestan range is supplied at the factory with an Island Trim backguard. See Table 1 in the APPENDIX section of this manual for other backguard options available from your Hestan dealer. Selection of the appropriate backguard depends on the installation location and adjacent materials, and the type of vent hood to be used. Installation instructions are included with the backguard kit. **A LOW OR TALL BACKGUARD IS REQUIRED WHEN INSTALLING THE RANGE AGAINST A COMBUSTIBLE SURFACE - THE ISLAND TRIM IS NOT SUITABLE.**



The top of the backguard serves as an exhaust for the oven when in operation, and as an exhaust vent to remove heat from under the cooktop section of the range as well.

- DO NOT BLOCK or obstruct the top of the backguard.
- DO NOT touch the top of the backguard during appliance operation as it may get hot. Allow sufficient time to cool before touching or cleaning this area.
- DO NOT position plastic or other heat-sensitive items nearby which could melt or burn.

INSTALLATION OF ANTI-TIP DEVICE



THE ANTI-TIP DEVICE PROVIDED WITH THIS RANGE MUST BE INSTALLED.

PREPARATION



POSSIBLE PROPERTY DAMAGE - Use a qualified installer or contractor to determine the proper method of attaching the anti-tip bracket to the rear wall or floor behind your range. Special drills or tools may be needed to drill holes in the wall or floor (ceramic tile, hardwood flooring, etc.).



ELECTRICAL SHOCK HAZARD - Use extreme caution when drilling holes into the wall or floor as there may be hidden wires. Identify the electrical circuits that could be affected by the installation of the anti-tip bracket. Shut off the power to these circuits. Failure to follow these instructions may result in death or electrical shock.

HOLE PREPARATION

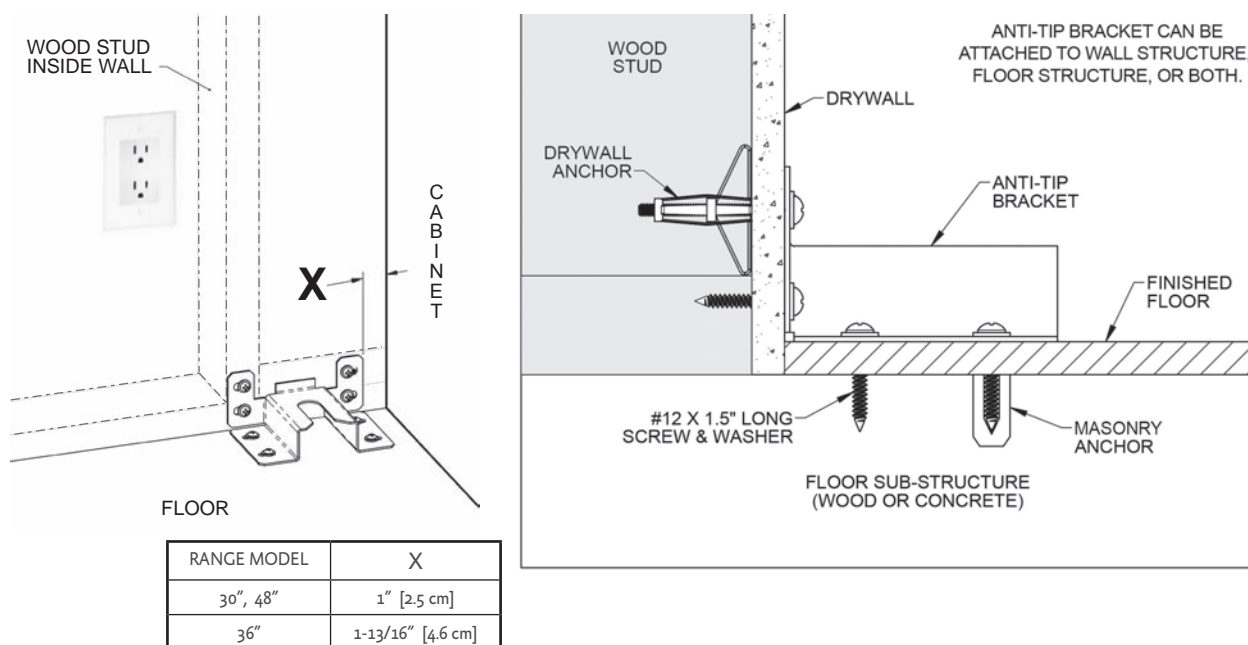
The anti-tip bracket must be installed in sound materials, such as wood studs in the wall AND floor joists under the finished floor. They must be able to withstand the forces exerted on the bracket by the range should it tip-over. If wood studs or other suitable materials are not in the designated area behind the range, you must attach the bracket using appropriate drywall anchors or similar fasteners.

INSTALLATION OF ANTI-TIP DEVICE (CONTINUED)

DRYWALL INSTALLATION: After positioning the bracket as per the diagram below, mark the holes and drill the appropriate holes as per the instructions supplied with the wall anchors. For hardboard or solid plaster walls, you may need different wall anchors, available at your local hardware store or home center.

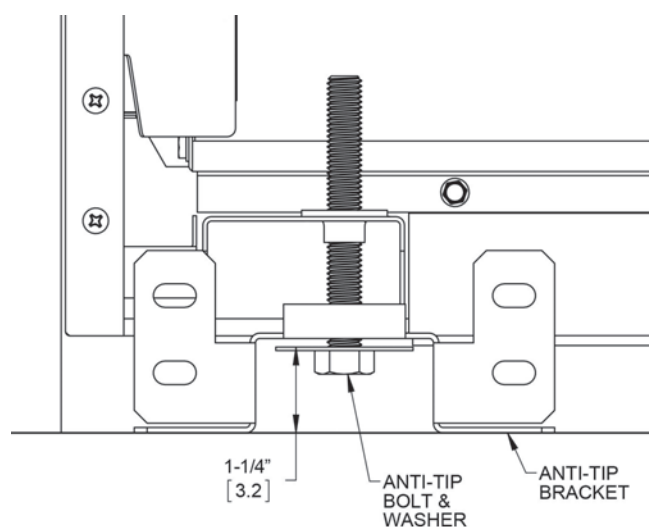
WOOD FLOOR INSTALLATION: After positioning the bracket as per the diagram below, mark the holes and drill the appropriate holes for #12 or similar, large wood screws, at least 1.5" [3.8 cm] in length. Use washers as well. All hardware is available at your local hardware store or home center.

CONCRETE FLOOR INSTALLATION: After positioning the bracket as per the diagram below, mark the holes and drill the appropriate holes for #12 or similar large masonry anchors, at least 1.5" [3.8 cm] in length. Use washers as well. All hardware is available at your local hardware store or home center.



ANTI-TIP BOLT ADJUSTMENT

After leveling the range, and after the bracket has been attached, adjust the anti-tip bolt and large washer under the range so the top of the washer is 1-1/4" [3.2 cm] maximum from the floor. Slide the range into the opening of the bracket and verify the bolt is engaged in the bracket as seen below. Carefully tip the range forward to check. The range should not move more than 1" [2.5 cm].



REAR VIEW

ELECTRICAL CONNECTIONS

⚠️ WARNING

ELECTRICAL SHOCK HAZARD

Disconnect power before installing or servicing appliance. Before turning power ON, be sure all controls are in the OFF position. Failure to do so can result in electrical shock or death.

ELECTRICAL GROUNDING

This appliance must be grounded. Grounding reduces the risk of electric shock in the event of a short circuit. Grounding through the neutral conductor is prohibited for new branch circuit installations (1996 NEC), mobile homes, and recreational vehicles, or in an area where local codes prohibit it. Your Hestan range is equipped with a 3-prong, grounding type plug which must be plugged into a grounded, 3-prong 120V receptacle.



⚠️ CAUTION

Improper grounding will cause malfunctions in the unit, such as continuous sparking of the igniters. This can damage the appliance and create a shock hazard condition.

ELECTRICAL CONNECTION

The receptacle must be on its own dedicated circuit - 120 VAC, Single Phase, 60 Hz, with a current rating of 15 Amps. If this is not available, a licensed electrician must install the appropriately dedicated and grounded receptacle. The installation must be done in accordance with local codes, or in the absence of local codes, it must be installed in accordance with the National Electrical Code, ANSI/NFPA 70.

1. Make sure power is off at the supply panel / breaker.
2. Plug the appliance into the wall receptacle. Secure extra appliance cord out of the way so it cannot be snagged or pinched behind your range.
3. Before restoring power at the supply panel / breaker, be sure all controls are in the OFF position.

GAS CONNECTION

GAS SUPPLY

The local gas authority or supplier should be consulted at the installation planning stage in order to establish the availability of an adequate supply of gas (NG or LP). If it is a new installation, have the gas authorities or supplier check the meter size and piping to assure that the unit is supplied with the necessary amount of gas supply and pressure to operate the unit(s).

Gas connections should be made by a qualified plumber, or your professional appliance installer.

All appliances must be fitted with an accessible upstream gas shutoff valve as a means of isolating the appliance for emergency shut off and for servicing.

Make certain new piping and connections have been made in a clean manner and have been purged so that piping compound, chips, etc. will not clog regulators, valves, orifices, or burners. Use pipe joint compound / thread sealant approved for natural and LP gases.

The appliance and its individual manual shutoff valve must be disconnected from the gas supply piping system during any pressure testing of that system at test pressures in excess of 1/2 psi [3.5 kPa].

The appliance must be isolated from the gas supply piping system by closing its individual manual shutoff valve during any pressure testing of that system at test pressures equal to or less than 1/2 psi [3.5 kPa].

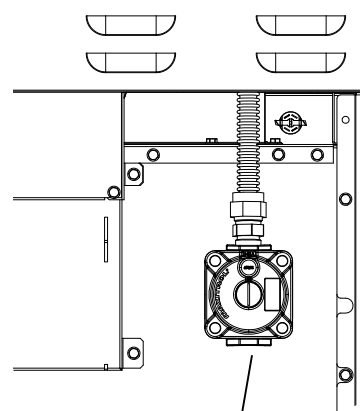
NEVER CONNECT THE APPLIANCE TO AN UNREGULATED GAS SUPPLY. Before proceeding, ensure the appliance is fitted for Natural or Liquid Propane gas. Connecting to an improper gas type will result in poor performance and increased risk of damage or injury. Gas type and gas consumption (BTU per hour) for each burner type is shown on the rating label.

Installation of this cooking appliance must be made in accordance with local codes. In the absence of local codes, this unit should be installed in accordance with the National Fuel Gas Code No. Z223.1/ NFPA 54, Natural Gas and Propane Installation code CSA B149-1, or Propane Storage and Handling Code B149.2.

NOTE: See rating label for manifold pressure for the type of gas of your appliance.

The gas connection at the back of the range (see below) features 1/2" NPT internal threads. Connect to gas supply using a minimum 3/4" inside diameter (1" OD) flexible (semi-rigid) stainless steel gas hose with appropriate end fittings to prevent gas starvation. This hose should be no more than 48" [1.2 m] in length. Use the appropriate thread sealant on all connections. Do not apply sealant to flare fittings.

The supply line must not interfere with the rear of the range. Use caution when pushing the range against the back wall, so that you do not kink or crimp the flex hose as this could result in a gas leak.



1/2" NPT
INTERNAL

CONVERSION KITS

In the event your Hestan appliance needs to be converted from NG to LP, or vice-versa, you will need to contact Hestan Customer Service to arrange a service call. This conversion should only be performed by a qualified technician.

HIGH ALTITUDE KITS

If you live in a high altitude area, 2,000 ft. [610 m] or more above sea level, your appliance may require different orifices for proper combustion and performance. You will need to contact Hestan Customer Service to arrange a service call. High Altitude kits must be installed by a qualified technician. Please have your model and serial number information ready when you call.

GAS CONNECTION (CONTINUED)

GAS CONNECTION - NATURAL GAS (NG)

To ensure proper heating performance of this appliance, verify that the gas line supply pressure is adequate. The appliance is supplied with a gas pressure regulator already installed. This regulator is set for a supply (inlet) pressure of 7-14 inch WC [1.74-3.48 kPa] to maintain 5 inch WC [1.24 kPa] nominal outlet (manifold) pressure.

Ensure that the service pipe supplying the appliance is fitted with a shut-off valve conveniently positioned and easily accessible as an emergency gas shut-off.

GAS CONNECTION - LIQUID PROPANE (LP)

If you purchased an LP version of your appliance, it will be supplied with a gas pressure regulator already installed. This regulator is set to maintain 10 inch WC [2.49 kPa] nominal outlet (manifold) pressure.

Ensure that the service pipe supplying the appliance is fitted with a shut-off valve conveniently positioned and easily accessible as an emergency gas shut-off.

When connecting to LP gas, verify the tank is equipped with its own high pressure regulator. The pressure of the gas supplied to the appliance must be 11-14 inch WC [2.74-3.48 kPa].

LEAK TESTING

GENERAL

Although all gas connections on your Hestan appliance are leak tested at the factory prior to shipment, a complete gas tightness check must be performed at the installation site due to possible movement in shipment, or excessive pressure unknowingly being applied to parts of the unit. Immediately check if the smell of gas is detected. Leak testing of the appliance shall be conducted according to these instructions:

BEFORE TESTING

 WARNING DO NOT SMOKE WHILE LEAK TESTING.

- Never leak test with an open flame.
- Make a soap solution of one part liquid detergent and one part water for leak testing purposes.
- Apply the solution to the gas fittings and flex hose by using a spray bottle or a brush.

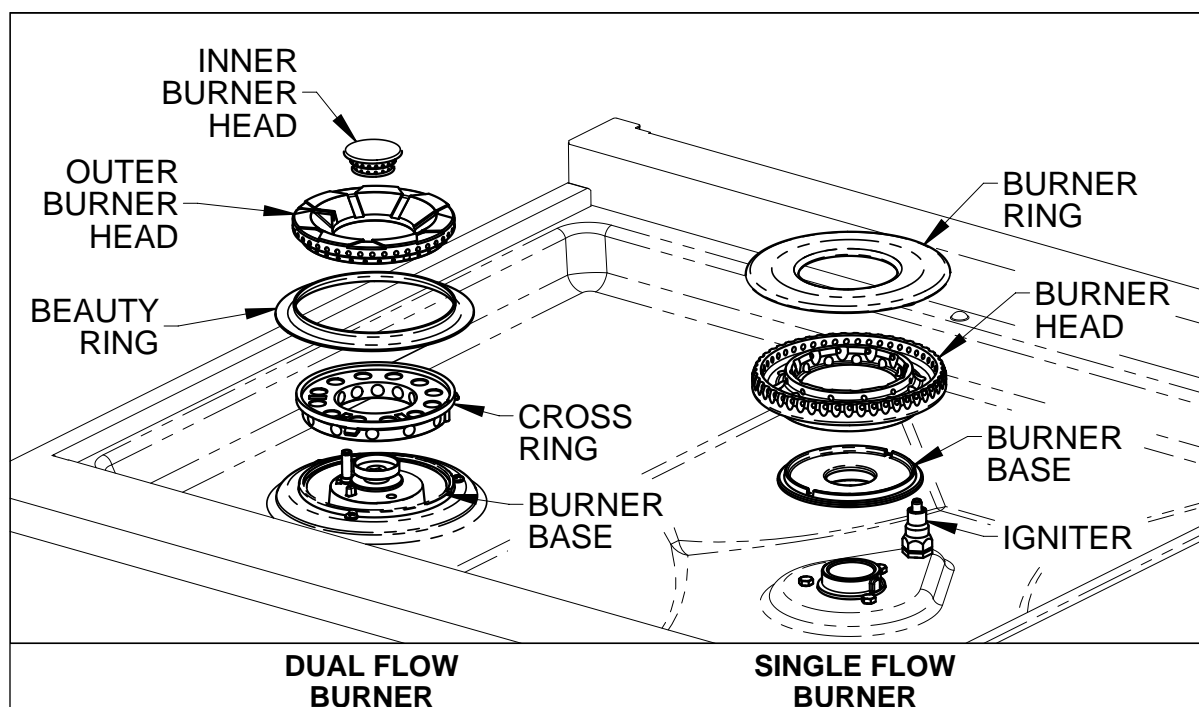
TO TEST

- Make sure all control knobs are in the "OFF" position.
- Apply the soap solution to all fittings and flex hose.
- Turn the gas supply on.
- Check all connections from the supply line up to the regulator connection at the rear of the appliance.
- Soap bubbles will appear where a leak is present. If a leak is present, immediately turn off gas supply, tighten any leaking fittings, turn the gas supply back on, and recheck.
- If you cannot stop a gas leak, turn off the gas supply and call the dealer where you purchased your appliance.
- Do not use the appliance until all connections have been checked and do not leak.

FINAL SETUP

Remove any final packaging materials, and protective film from all exterior areas. Check inside oven for other packaging items, tape on oven racks, etc. Install any loose items like sealed burner heads, cooking grates, etc. Ensure the sealed burner heads are properly installed and seated on the burner base as shown below. There are notches on the burner base and cross ring to help with alignment. The outer burner head features a long slot on the top of the head which aligns with the spark igniter. Assembly of the single-flow burner head is similar.

EN



Before testing operation of the appliance, verify the leak check was performed and the electrical power has been restored to the unit. Turn the gas shut-off valve to the open position.

NOTICE

All the control knobs must be in the OFF position to prevent unintended operation at power up.

In the event of a power failure, the oven will shut off. The surface burners will continue to burn, but must be ignited manually with suitable lighter or match. When the power is restored, the oven will not operate until the oven knobs are in the OFF position. Set all the knobs to OFF, and resume normal use.

DO NOT ATTEMPT TO USE THE RANGE DURING A PROLONGED POWER FAILURE.

Verify ignition at each burner. Igniter will make a clicking sound until the flame lights within 4 seconds, then the clicking will stop. Check flame characteristics at each burner per the descriptions below. Flames should be stable and not dance or lift off the burner ports. Flame may need to burn for a few minutes to purge the gas lines of impurities. These appear as intermittent orange tips or even tiny sparks in the flame. This is normal and the flame will eventually stabilize like those shown in the image below.

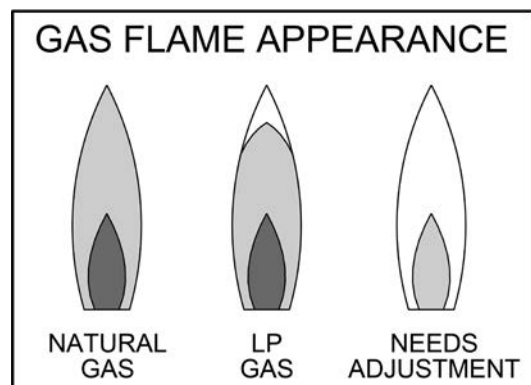
If after a few minutes the flames continue to burn mostly yellow, verify that the burner head is properly installed on top of the base, then retest. Use caution when handling the burner head. They can be very hot.

FINAL SETUP (CONTINUED)

Turn down the control knob to the simmer setting to check function.

Check each burner individually, then check they operate satisfactorily with other burners on.

EN



Light blue flame - Natural gas normal flame

Light blue flame with yellow tips - LP gas normal flame

Yellow flame - Needs adjustment

GAS GRIDDLE

The gas griddle does not have flame/burner adjustments. Turn the control knob to HIGH, verify that the griddle heats up. You may also notice a constant orange glow at the rear vents of the griddle area. This is normal during operation of the griddle.

Turn all burners off when testing is complete.

If after all the above tests still result in mostly yellow flames, or the burners do not light, contact Hestan customer service to schedule a service call.

OVEN OPERATION

All rangetop checks to be performed prior to oven operation check.

Open and close oven door to check oven lights illuminate on opening, and fade once closed. Cycle oven lights using control panel switch to validate proper function.

With the door open, set mode knob to BAKE and temperature knob to 350°F. Both knob backlights will illuminate and the orange "heating" indicator light will turn on. Bake igniter (located below bottom drip pan) begins to glow and once it reaches proper temperature, the gas valve is energized. Verify ignition and flame characteristics of bake burner.

Close the oven door. Set mode knob and temperature knob to BROIL. Both knob backlights will illuminate and the orange "heating" indicator light will turn on. Broil igniter (located at top of oven cavity) begins to glow and once it reaches proper temperature, the gas valve is energized. Verify ignition and flame characteristics of broil burner.

Turn oven off.

NOTE: A small amount of smoke and odor may be noticed during this test, and during the initial break-in period.

SERVICE

All warranty and non-warranty repairs should be performed by qualified service personnel. To locate an authorized service agent in your area, contact your Hestan dealer, local representative, or Hestan. Before you call, please have the model number and serial number information on hand.

Hestan Commercial Corporation
3375 E. La Palma Avenue
Anaheim, CA 92806
(888) 905-7463

APPENDIX

TABLE 1: BACKGUARD OPTIONS		
RANGE MODEL	BACKGUARD MODEL	DESCRIPTION
KRG304	KBGIT30*	BACKGUARD, ISLAND TRIM, 30" *
	KBGLB30	BACKGUARD, LOW BACK, 30"
	KBGHS30	BACKGUARD, HIGH SHELF, 30"
KRG364GD	KBGIT36*	BACKGUARD, ISLAND TRIM, 36" *
	KBGLB36	BACKGUARD, LOW BACK, 36"
	KBGHS36	BACKGUARD, HIGH SHELF, 36"
KRG364GD	KBGIT36*	BACKGUARD, ISLAND TRIM, 36" *
	KBGLB36	BACKGUARD, LOW BACK, 36"
	KBGHS36	BACKGUARD, HIGH SHELF, 36"
KRG485GD	KBGIT48*	BACKGUARD, ISLAND TRIM, 48" *
	KBGLB48	BACKGUARD, LOW BACK, 48"
	KBGHS48	BACKGUARD, HIGH SHELF, 48"
KRG484GD	KBGIT48*	BACKGUARD, ISLAND TRIM, 48" *
	KBGLB48	BACKGUARD, LOW BACK, 48"
	KBGHS48	BACKGUARD, HIGH SHELF, 48"

* INCLUDED WITH RANGE



AVERTISSEMENT

LE NON-RESPECT À LA LETTRE DE CES INSTRUCTIONS PEUT CAUSER UN INCENDIE OU UNE EXPLOSION, QUI POURRAIT ENTRAÎNER DES DOMMAGES MATÉRIELS, DES BLESSURES OU LA MORT.

Ne pas entreposer ou utiliser d'essence ou tout autre liquide ou gaz inflammable à proximité de cet appareil ou de tout autre appareil.

EN PRÉSENCE D'UNE ODEUR DE GAZ:

1. Ne tenter d'allumer aucun appareil.
 2. Ne toucher à aucun commutateur électrique.
 3. N'utiliser aucun téléphone dans l'immeuble.
 4. Appeler immédiatement le fournisseur de gaz à partir d'un téléphone situé à l'extérieur de l'immeuble ; Suivre les instructions du fournisseur de gaz.
 5. S'il est impossible de joindre le fournisseur de gaz, appeler le service des incendies.
- L'installation et la réparation doivent être effectuées par un installateur ou une agence de réparation ayant les qualifications requises auprès du fournisseur de gaz.

LISEZ ATTENTIVEMENT ET COMPLÈTEMENT CES INSTRUCTIONS AVANT D'INSTALLER OU D'UTILISER VOTRE APPAREIL AFIN DE RÉDUIRE LES RISQUES D'INCENDIE, DE BRÛLURE OU D'AUTRES BLESSURES. CONSERVER CE MANUEL POUR RÉFÉRENCE FUTURE.

DÉFINITIONS DE SÉCURITÉ



CECI INDIQUE QUE L'INOBSERVATION DE CET AVERTISSEMENT PEUT ENTRAÎNER DES BLESSURES GRAVES VOIRE MORTELLES.



CECI INDIQUE QUE L'INOBSERVATION DE CET AVERTISSEMENT PEUT ENTRAÎNER DES BLESSURES MINEURES OU MODÉRÉES.



CECI INDIQUE QUE L'INOBSERVATION DE CET AVERTISSEMENT PEUT ENTRAÎNER DES DOMMAGES DE L'APPAREIL OU DES DÉGÂTS MATÉRIELS.

INSTALLATEUR: LAISSER CE MANUEL AVEC LE PROPRIÉTAIRE DE L'APPAREIL.
PROPRIÉTAIRE: CONSERVEZ CE MANUEL POUR RÉFÉRENCE FUTURE.



DANGER DE BASCULEMENT

Une personne, enfant ou adulte, peut faire basculer la cuisinière et subir des blessures mortelles.

Vérifiez l'installation du dispositif anti-basculement conformément aux instructions d'installation.

Ne pas utiliser la cuisinière lorsque le dispositif n'est pas installé et engagé.

Vérifiez l'engagement du dispositif anti-basculement si la cuisinière est déplacée, par exemple quand vous nettoyez derrière elle.

Pour vérifier l'engagement, inclinez doucement la cuisinière vers l'avant tout en tirant de l'arrière de l'appareil. La cuisinière ne doit pas bouger de plus de 1 po [2,5 cm].

Le non-respect de ces instructions peut entraîner la mort ou des brûlures graves chez les enfants et les adultes.

Pour réduire le risque de brûlure, ne déplacez pas cet appareil lorsqu'il est chaud.



TABLE DES MATIÈRES

- 1 PRÉCAUTIONS DE SÉCURITÉ - AVANT DE COMMENCER
- 2 NUMÉROS DE MODÈLE
- 3 PLAQUE SIGNALÉTIQUE
- 3 RESPECT DE LA RÉGLEMENTATION ET DES CODES EN VIGUEUR
- 3 EMPLACEMENT ET INSTALLATION / VENTILATION
- 14 DOSSERET ET ACCESSOIRES
- 15 INSTALLATION DU DISPOSITIF ANTI-BASCULEMENT
- 17 BRANCHEMENTS ÉLECTRIQUES
- 18 RACCORDEMENT DE GAZ
- 20 PHASE FINALE DE L'INSTALLATION
- 21 SERVICE
- 22 APPENDICE

FR

PRÉCAUTIONS DE SÉCURITÉ - AVANT DE COMMENCER

S'il est bien entretenu, cet appareil Hestan procurera un service sûr et fiable pendant de nombreuses années. Lorsqu'on se sert de cet appareil, les pratiques élémentaires suivantes en matière de sécurité doivent être adoptées.

IMPORTANT: Conservez ces instructions à l'intention de l'inspecteur local des services du gaz ou de l'électricité.

INSTALLATEUR: Veuillez laisser ces instructions d'installation au propriétaire.

PROPRIÉTAIRE: Veuillez conserver ces instructions d'installation pour référence future.

Cette cuisinière N'EST PAS conçue pour être installée dans des maisons préfabriquées (mobiles) ou dans des véhicules récréatifs. N'installez PAS cette cuisinière à l'extérieur.



RISQUE DE CHOC ÉLECTRIQUE

Débranchez l'alimentation avant d'installer ou d'entretenir l'appareil. Avant de le mettre sous tension, assurez-vous que toutes les commandes sont en position «OFF». Ne pas le faire peut entraîner un choc électrique ou la mort.

MISE À LA TERRE ÉLECTRIQUE

Cet appareil doit être mis à la terre. La mise à la terre réduit le risque de choc électrique en cas de court-circuit. Lisez la section BRANCHEMENTS ÉLECTRIQUES de ce manuel pour des instructions complètes.

Cet appareil est pourvu d'une fiche à trois broches dont une mise à la terre assurant une protection contre les chocs électriques. La prise dans laquelle elle est branchée doit être correctement mise à la terre. Ne pas couper ni enlever la broche de mise à la terre de la fiche.



ALIMENTATION ÉLECTRIQUE

L'appareil doit avoir son propre circuit distinct - 120 VAC, monophasé, 60 Hz, avec une ampérage nominale telle qu'indiquée dans la liste des numéros de modèle à la page 2. Demandez à l'installateur de vous montrer où se trouve le disjoncteur électrique afin de savoir comment couper l'alimentation de cet appareil. Il incombe à l'utilisateur de faire raccorder l'appareil par un électricien agréé conformément à tous les codes locaux, ou en l'absence de ces codes, conformément au Code National de l'Électricité. Lisez la section BRANCHEMENTS ÉLECTRIQUES du cet manuel pour tous les détails.

NUMÉROS DE MODÈLE

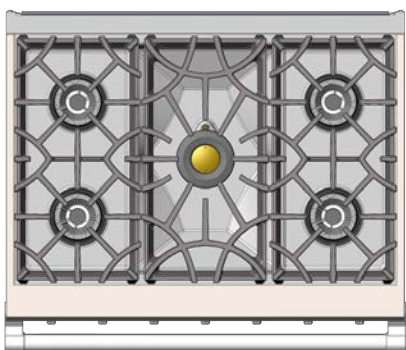
MODÈLES DE CUISINIÈRE

NO. MODÈLE	DESCRIPTION	DISJONCTEUR REQUIS
KRG304-NG / -LP	CUISINIÈRE À GAZ 36 PO A 4 BRÛLEURS	15 Ampères
KRG365-NG / -LP	CUISINIÈRE À GAZ 36 PO A 5 BRÛLEURS	15 Ampères
KRG364GD-NG / -LP	CUISINIÈRE À GAZ 36 PO A 4 BRÛLEURS ET PLAQUE CHAUFFANTE	15 Ampères
KRG485GD-NG / -LP	CUISINIÈRE À GAZ 48 PO A 5 BRÛLEURS ET PLAQUE CHAUFFANTE 12 PO	15 Ampères
KRG484GD-NG / -LP	CUISINIÈRE À GAZ 48 PO A 4 BRÛLEURS ET PLAQUE CHAUFFANTE 24 PO	15 Ampères

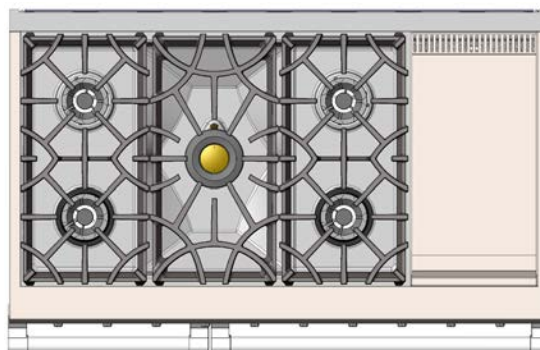
FR



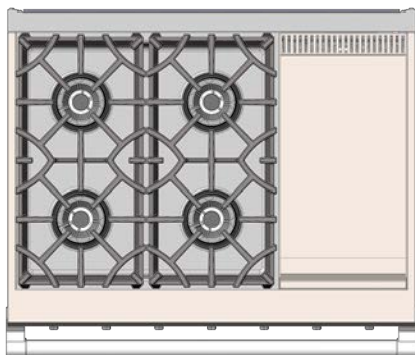
KRG304



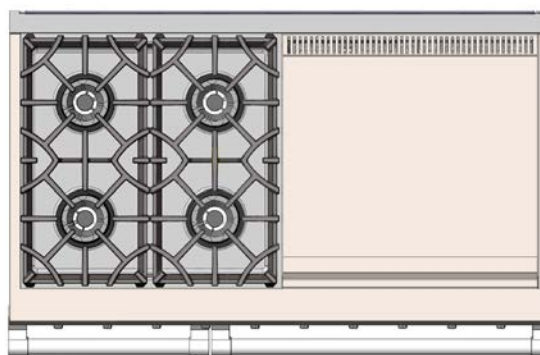
KRG365



KRG485GD



KRG364GD



KRG484GD

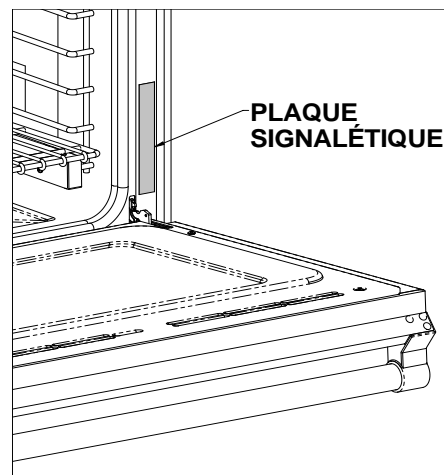
PLAQUE SIGNALÉTIQUE

La plaque signalétique donne des informations importantes sur cet appareil Hestan telles que les numéros de série et de modèle, le type de gaz et la pression d'admission, les caractéristiques électriques, la cote BTU pour chaque type de brûleur et les dégagements minima d'installation.

La plaque signalétique se trouve sur le côté droit de l'ouverture de la cavité du four près de la charnière de la porte.

Si un entretien est nécessaire, contactez le service clientèle de Hestan avec les informations sur le modèle et le numéro de série figurant sur la plaque.

HESTAN COMMERCIAL CORP. ANAHEIM, CA - USA		MODEL / MODELE		SER. NO. / NO. SER.		PATENTED: http://www.hestan.com/patents.pdf			
VOLTS	60	BURNER RATINGS (BTU/HOUR)				MIN. CLEARANCES / DÉGAGEMENTS		CONFORME TO ANSI STD Z21.1-2019 - CSA 1.1-2016 NO. 16000 COOKTOP GAS RANGE CONFORME A LA NORME ANSI Z21.1-2019 - CSA 1.1-2016 APPAREIL ELECTROMAGNETIQUE CUISINAU GAZ UNITE VENTILEE - SEE INSTALLATION MANUAL UNITE VENTILEE - VOIR LE MANUEL D'INSTALLATION	
PHASE	1	FRONT BURNER BRULEUR AVANT	REAR BURNER BRULEUR ARRIERE	SPIRALS CHAUFFANTS	UPPER BURNER BRULEUR FOUR SUPERIEUR	LOWER BURNER BRULEUR FOUR INFERIEUR	TO TOP 6"	TO TOP 0"	
AMPS							TO SIDE 12"	TO SIDE 0"	



FR

RESPECT DE LA RÉGLEMENTATION ET DES CODES EN VIGUEUR

L'installation de cet appareil de cuisson doit être effectuée conformément aux codes locaux. En l'absence de tels codes, installer cet appareil conformément au National Fuel Gas Code ANSI Z223.1/NFPA 54, au code Natural Gas and Propane Installation CSA B149.1 ou au Propane Storage and Handling Code B149.2.

Tous les composants électriques doivent être mis à la terre conformément aux codes locaux ou, en l'absence de tels codes, au National Electrical Code ANSI/NFPA 70 ou au Code national de l'électricité du Canada CSA C22.1.

COMMUNAUTÉ DU MASSACHUSETTS

Le Massachusetts exige que toutes les installations au gaz soient effectuées par un plombier ou monteur d'installations au gaz titulaire d'une autorisation appropriée délivrée par le Massachusetts. Toutes les installations à demeure fonctionnant au propane ou au gaz naturel exigent la pose d'un robinet manuel de gaz à poignée en T sur la conduite d'alimentation en gaz de l'appareil. Le tuyau de raccordement flexible de gaz ne doit pas dépasser 48 po [1,2 m].

PROPOSITION 65 DE CALIFORNIE – MISE EN GARDE



AVERTISSEMENT: Ce produit peut vous exposer à des produits chimiques, notamment du monoxyde de carbone, reconnu par l'État de Californie pour causer des malformations congénitales ou d'autres problèmes de reproduction.

Pour plus d'informations, visitez www.P65Warnings.ca.gov.

EMPLACEMENT ET INSTALLATION / VENTILATION

DÉBALLAGE ET PLACEMENT

Retirez le carton extérieur et les matériaux d'emballage de la palette d'expédition. Ne retirez pas le film plastique recouvrant les surfaces en acier inoxydable. Ce film protège la finition contre les rayures jusqu'à ce que l'appareil soit installé dans sa position finale.

L'unité est très lourde et doit être manipulée avec soin. Utilisez un équipement de sécurité approprié, tel que des gants, et au moins 2 personnes pour mettre l'appareil en position pour éviter les blessures et éviter d'endommager le sol ou l'appareil lui-même.

AVIS N'UTILISEZ PAS DE CHARIOT À BRAS À L'AVANT OU À L'ARRIÈRE DE LA CUISINIÈRE. MANIPULER ET DÉPLACER DEPUIS LES CÔTÉS.

Ne soulevez ou ne portez pas l'appareil en le tenant par la porte ou la poignée du four. Cela pourrait endommager les charnières de la porte.

La cuisinière est maintenue sur la palette avec 4 grands boulons d'expédition des deux côtés. Retirez ces boulons, puis déplacez la cuisinière au sol avec l'aide de 2 personnes.

PRÉPARATION

Avant de déplacer la cuisinière, protégez tout revêtement de sol fini et fermez la(les) porte(s) du four afin qu'elle(s) ne soi(en)t pas endommagée(s).

FR

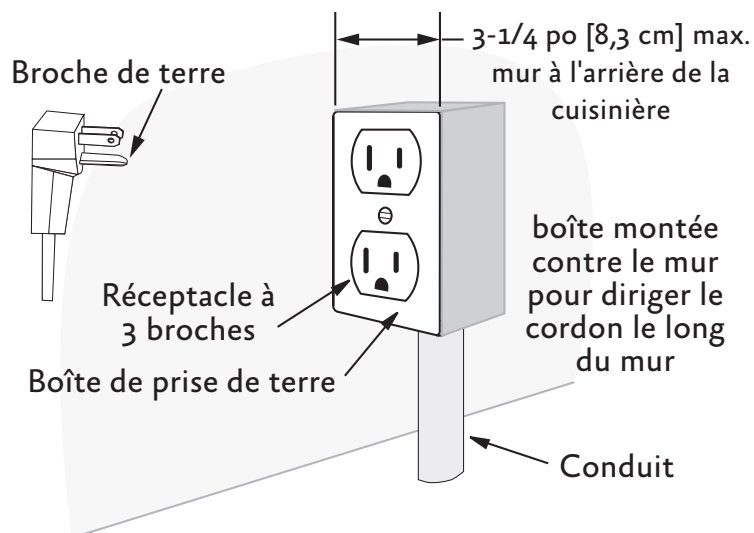
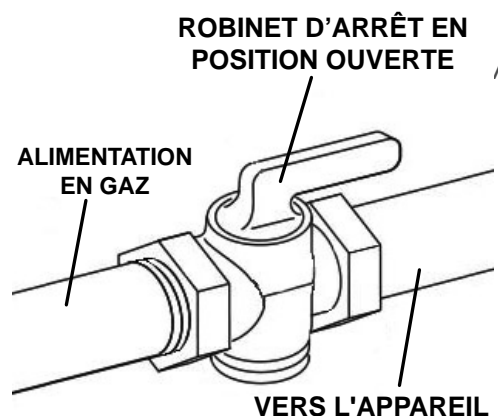
DÉGAGEMENTS DE GAZ ET D'APPROVISIONNEMENT ÉLECTRIQUE

Si ce n'est pas déjà fait, posez un robinet d'arrêt de gaz dans un endroit facilement accessible pour l'entretien de la cuisinière. Assurez-vous que tous les utilisateurs de la cuisinière savent où se trouve cette fermeture et comment couper le gaz. Toute ouverture dans le mur ou le plancher derrière l'appareil doit être scellée. Les dégagements d'installation sur les pages suivantes indiquent où les zones « G » et « E » doivent être situées.

La cuisinière est conçue pour être installée près du mur arrière*. Il peut être nécessaire de repositionner l'alimentation en gaz et le réceptacle d'alimentation boîte de connexion afin d'accommoder la cuisinière lorsqu'elle est repoussée contre le mur.

L'arrière de la cuisinière est encastré de 3-1/4 po [8,3 cm] pour laisser de la place au cordon et au tuyau de gaz. Si vous utilisez une boîte de jonction / prise murale, vous devrez peut-être la monter pour diriger le cordon le long du mur plutôt que vers la cuisinière.

* Sauf si installé dans une île sans mur arrière.



ARMOIRES

Pour éliminer le risque de brûlures ou d'incendie lorsqu'on se penche au-dessus des unités de surface chauffées, il convient d'éviter d'utiliser l'espace de rangement offert par les armoires situés au-dessus des unités de surface. Si on doit prévoir un espace de rangement, le risque peut être réduit en installant la hotte d'évacuation requise de façon à ce qu'elle dépasse horizontalement d'au moins 5 po [12,7 cm] du fond des armoires.

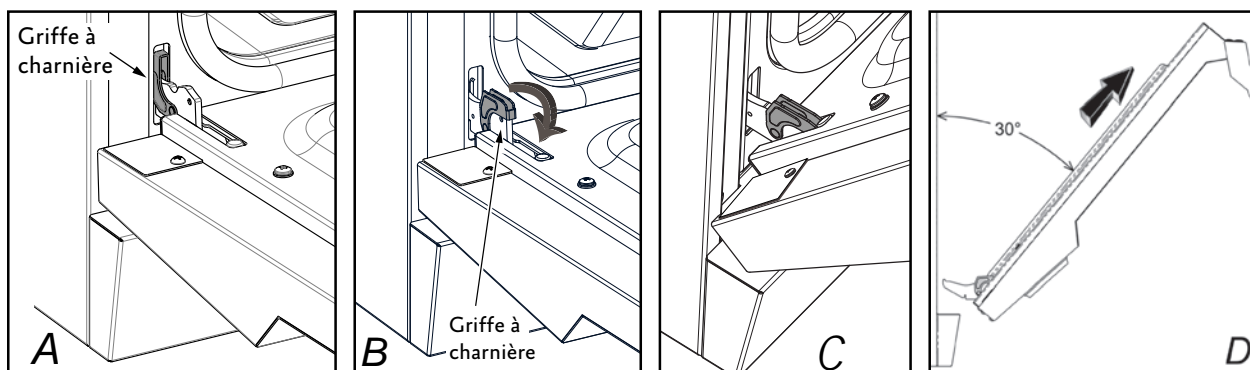
EMPLACEMENT ET INSTALLATION / VENTILATION (SUITE)

RETRAIT DE LA PORTE DU FOUR

Si vous avez une porte très étroite s'ouvrant sur votre cuisine, la(les) porte(s) du four peu(ven)t être enlevée(s). **NE RETIRER QUE SI ABSOLUMENT NÉCESSAIRE.** Le retrait de la ou des portes ne doit être effectué que par un installateur ou un technicien de maintenance agréé. Assurez-vous que le four est complètement refroidi et que l'alimentation électrique est coupée. Ne pas le faire peut provoquer un choc électrique ou une brûlure. Faites attention en enlevant la porte, car elle est très lourde.

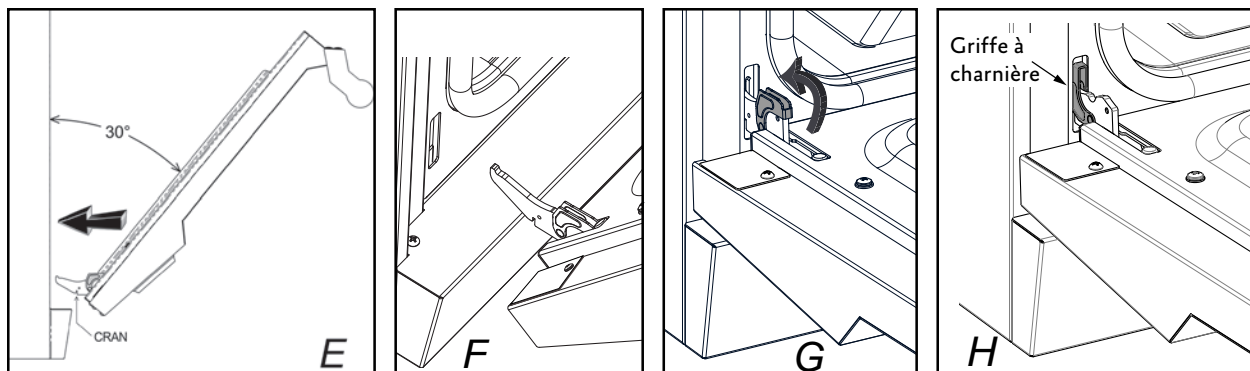
FR

1. Ouvrez la porte du four complètement.
2. À chaque emplacement de charnière, faites pivoter le griffe de charnière vers l'avant jusqu'à ce qu'il s'arrête. Un tournevis peut être nécessaire pour ce faire. [B]
3. Fermez doucement la porte du four jusqu'à ce qu'elle s'arrête contre les griffes à charnières, ou à environ 30° de la position fermée. Tenez fermement les deux côtés de la porte (pas la poignée) et tirez la porte droit vers le haut pour la séparer des charnières. Placez la porte du four dans un endroit sûr jusqu'à ce que vous en ayez besoin. **NE JAMAIS relâcher les griffes à charnières et essayer de fermer les charnières.** Cela fermera les charnières avec une grande force, ce qui pourrait causer des blessures. [C & D]



RÉINSTALLATION DE LA PORTE DU FOUR

1. Tenez fermement la porte des deux côtés (PAS PAR LA POIGNÉE) à environ 30° de la position fermée et insérez les charnières dans les fentes du four. Le bord inférieur de chaque charnière comporte une encoche qui doit se loger à l'intérieur de l'ouverture de la fente. **NE PAS FORCER, COURBER NI GAUCHIR LA PORTE!** [E & F]
2. Ouvrez lentement la porte complètement. Faites pivoter les griffes à charnières à l'opposé de vous jusqu'à ce qu'elles soient complètement à l'intérieur de l'ouverture de la fente et complètement insérées. Un tournevis peut vous aider à le faire. [G]
3. Fermez doucement la porte du four pour vérifier son bon fonctionnement.



EMPLACEMENT ET INSTALLATION / VENTILATION (SUITE)

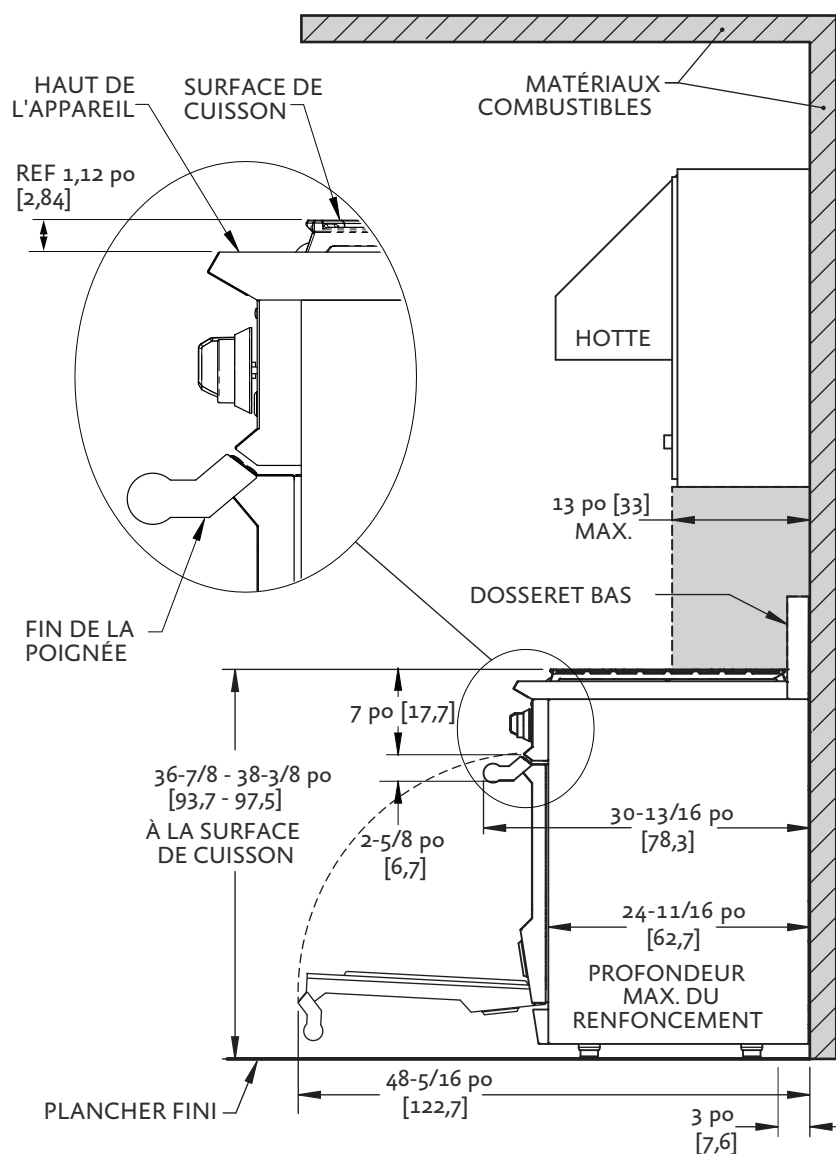
NIVELLEMENT

La cuisinière doit être de niveau, en particulier les modèles comportant une plaque chauffante. Soulevez ou abaissez la cuisinière à la hauteur désirée en ajustant les quatre pieds de mise de niveau sous la cuisinière (les unités de 48 po ont 6 pieds). Les pieds peuvent être tournés à la main. Il peut être nécessaire d'utiliser un levier ou un autre dispositif de levage pour aider à soulever temporairement l'unité pour tourner les pieds. Ne pas soulever ou tirer le levier depuis l'avant ou l'arrière, uniquement depuis les côtés.

▲ PRÉCAUTION

Le dessus de l'appareil doit être au même niveau ou plus haut que les surfaces des plans de travail contigus. Le fait de ne pas ajuster la hauteur peut exposer les armoires contigus à une chaleur excessive qui pourrait endommager les armoires ou le plan de travail.

DÉGAGEMENTS D'INSTALLATION AVEC DOSSERET BAS



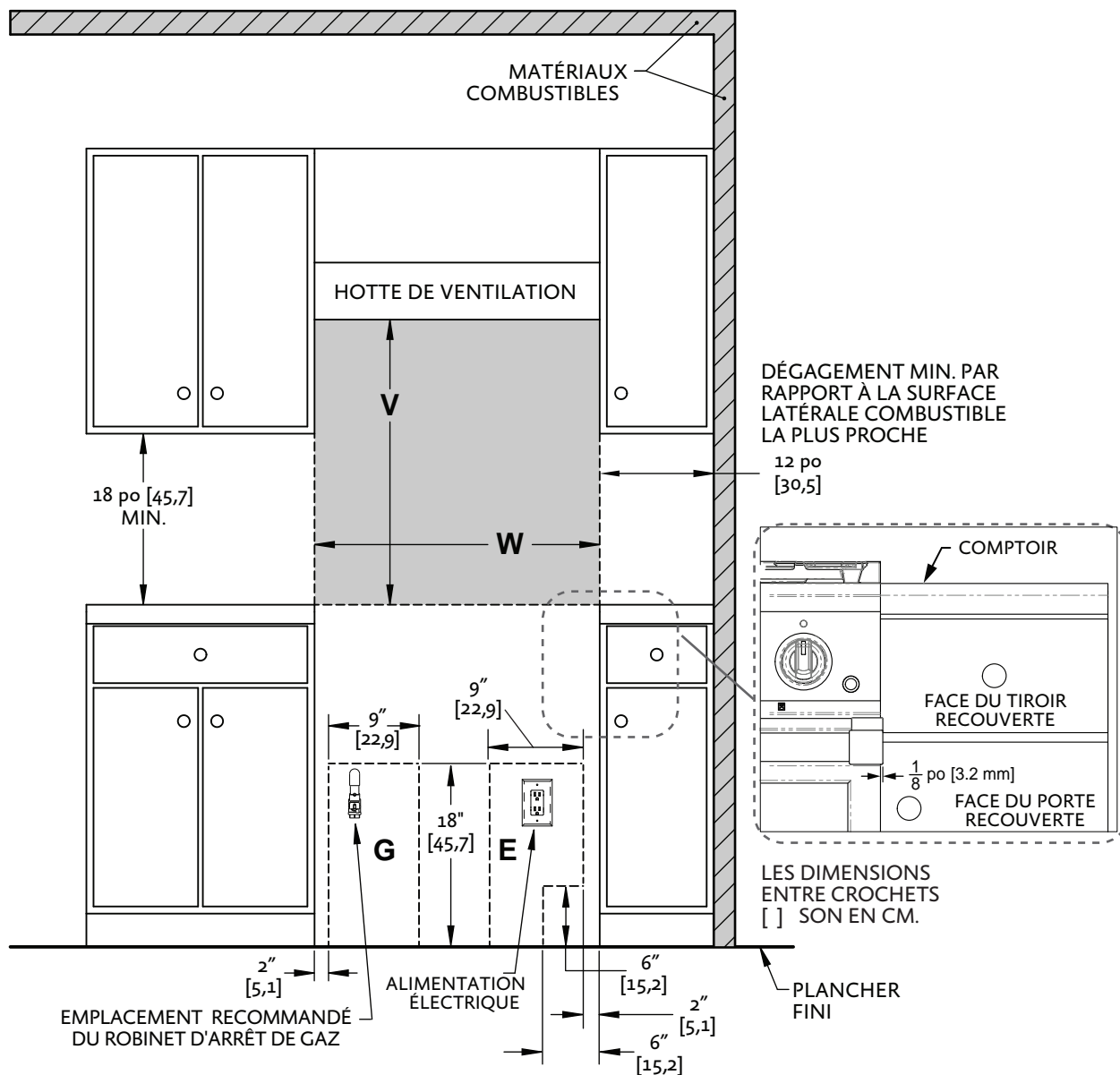
LES DIMENSIONS ENTRE CROCHETS [] SON EN CM.

EMPLACEMENT DE L'ALIMENTATION EN GAZ ET ÉLECTRICITÉ SUR LE PLANCHER.

VUE DE CÔTÉ

DÉGAGEMENTS D'INSTALLATION 30 PO AVEC DOSSERET BAS

FR



VUE DE FACE

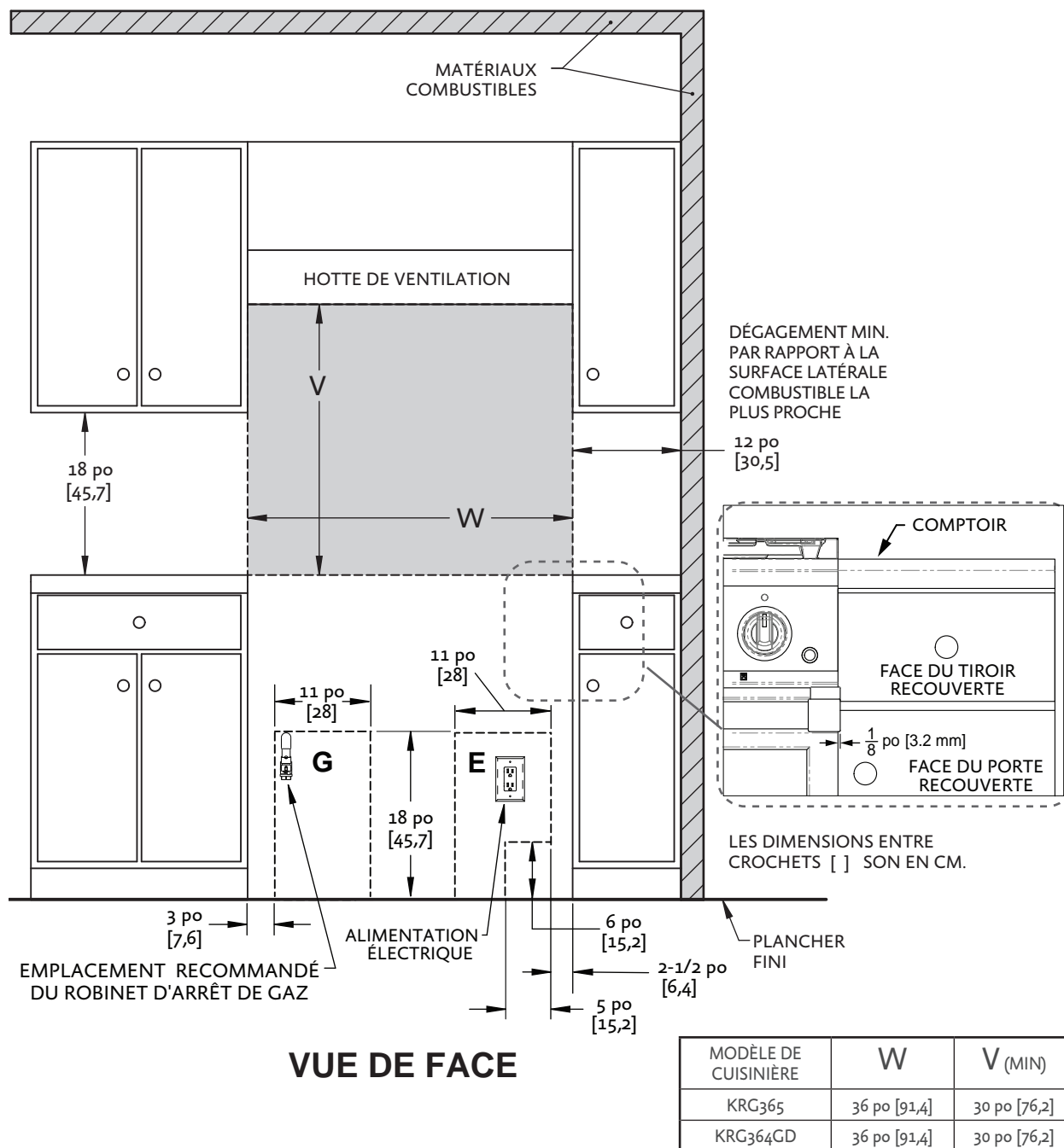
MODÈLE DE CUISINIÈRE	W	V (MIN)
KRG304	30 po [76,2]	30 po [76,2]

REMARQUES:

- LES ZONES OMBRÉES INDIQUENT LES ENDROITS OÙ LES MATÉRIAUX COMBUSTIBLES SON PROHIBÉS.
- LE DESSUS DE L'APPAREIL DOIT ÊTRE AU MÊME NIVEAU OU PLUS HAUT QUE LES SURFACES DES PLANS DE TRAVAIL CONTIGUS.
- «G» INDIQUE LA ZONE DE RACCORDEMENT DE GAZ SUR LE MUR ARRIÈRE. MONTER LE ROBINET D'ARRÊT AUSSI HAUT QUE POSSIBLE DANS CETTE ZONE POUR EN FACILITER L'ACCÈS QUAND LA CUISINIÈRE EST EN PLACE.
- «E» EST LA ZONE D'ALIMENTATION ÉLECTRIQUE.
- «W» INDIQUE L'OUVERTURE DESTINÉE À L'APPAREIL. REMARQUE: LA FIN DE LA POIGNÉE S'ÉTEND DE 1/8 PO [3,2 MM] AU-DELÀ DE CHAQUE CÔTÉ DE L'APPAREIL. IL PEUT ÊTRE NÉCESSAIRE DE FOURNIR UNE ADAPTATION À DES TIROIRS OU DES ARMOIRES ADJACENTS.
- «V» INDIQUE LE DÉGAGEMENT MIN. PAR RAPPORT À LA HOTTE DE VENTILATION REQUISE.

EMPLACEMENT ET INSTALLATION / VENTILATION (SUITE)

DÉGAGEMENTS D'INSTALLATION 36 PO AVEC DOSSERET BAS

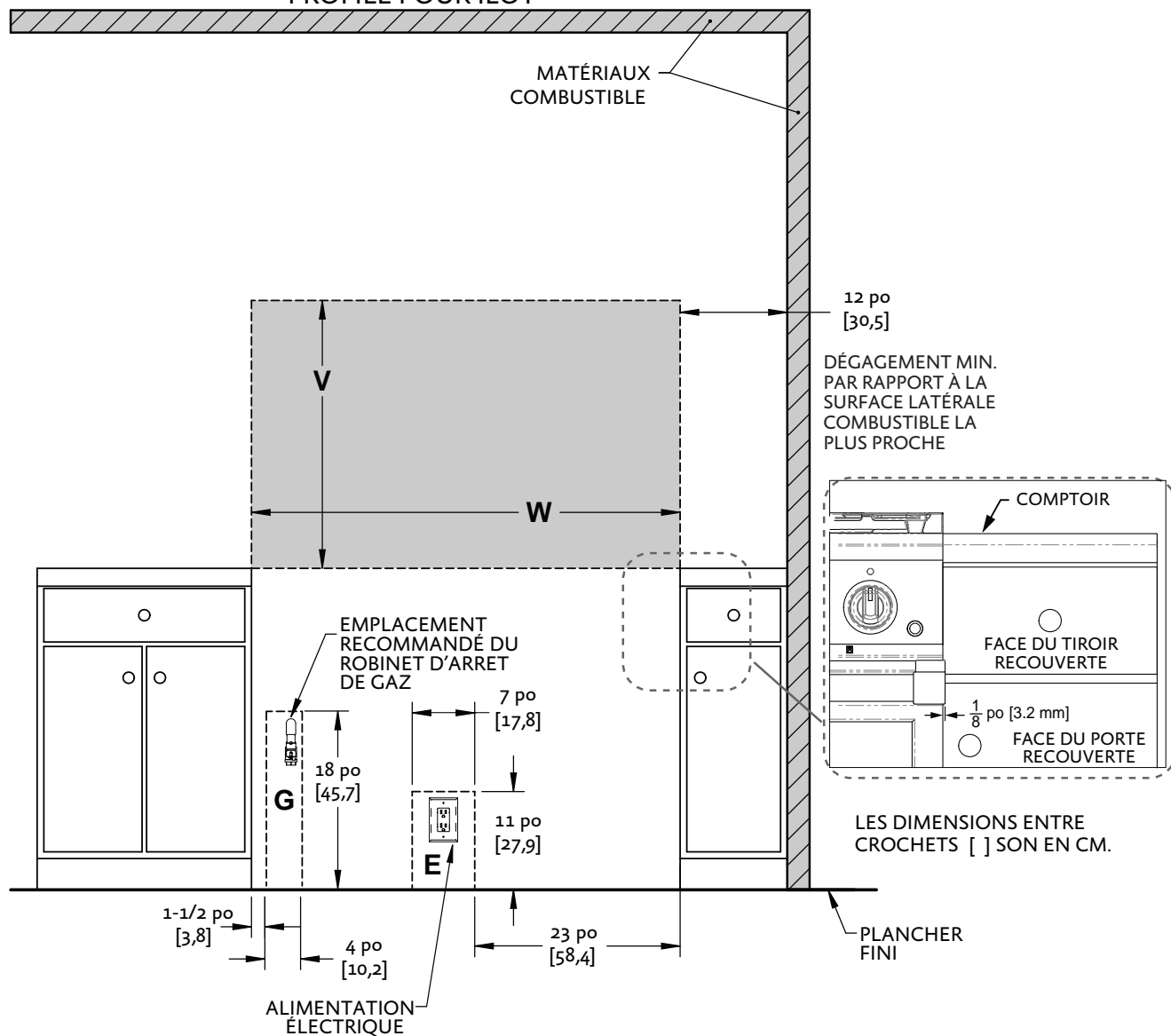


REMARQUES:

- LES ZONES OMBRÉES INDIQUENT LES ENDROITS OÙ LES MATÉRIAUX COMBUSTIBLES SON PROHIBÉS.
- LE DESSUS DE L'APPAREIL DOIT ÊTRE AU MÊME NIVEAU OU PLUS HAUT QUE LES SURFACES DES PLANS DE TRAVAIL CONTIGUS.
- «G» INDIQUE LA ZONE DE RACCORDEMENT DE GAZ SUR LE MUR ARRIÈRE. MONTER LE ROBINET D'ARRÊT AUSSI HAUT QUE POSSIBLE DANS CETTE ZONE POUR EN FACILITER L'ACCÈS QUAND LA CUISINIÈRE EST EN PLACE.
- «E» EST LA ZONE D'ALIMENTATION ÉLECTRIQUE.
- «W» INDIQUE L'OUVERTURE DESTINÉE À L'APPAREIL. REMARQUE: LA FIN DE LA POIGNÉE S'ÉTEND DE 1/8 PO [3,2 MM] AU-DELÀ DE CHAQUE CÔTÉ DE L'APPAREIL. IL PEUT ÊTRE NÉCESSAIRE DE FOURNIR UNE ADAPTATION À DES TIROIRS OU DES ARMOIRES ADJACENTS.
- «V» INDIQUE LE DÉGAGEMENT MIN. PAR RAPPORT À LA HOTTE DE VENTILATION REQUISE.

EMPLACEMENT ET INSTALLATION / VENTILATION (SUITE)

DÉGAGEMENTS D'INSTALLATION 48 PO AVEC DOSSERET PROFILÉ POUR ÎLOT



VUE DE FACE

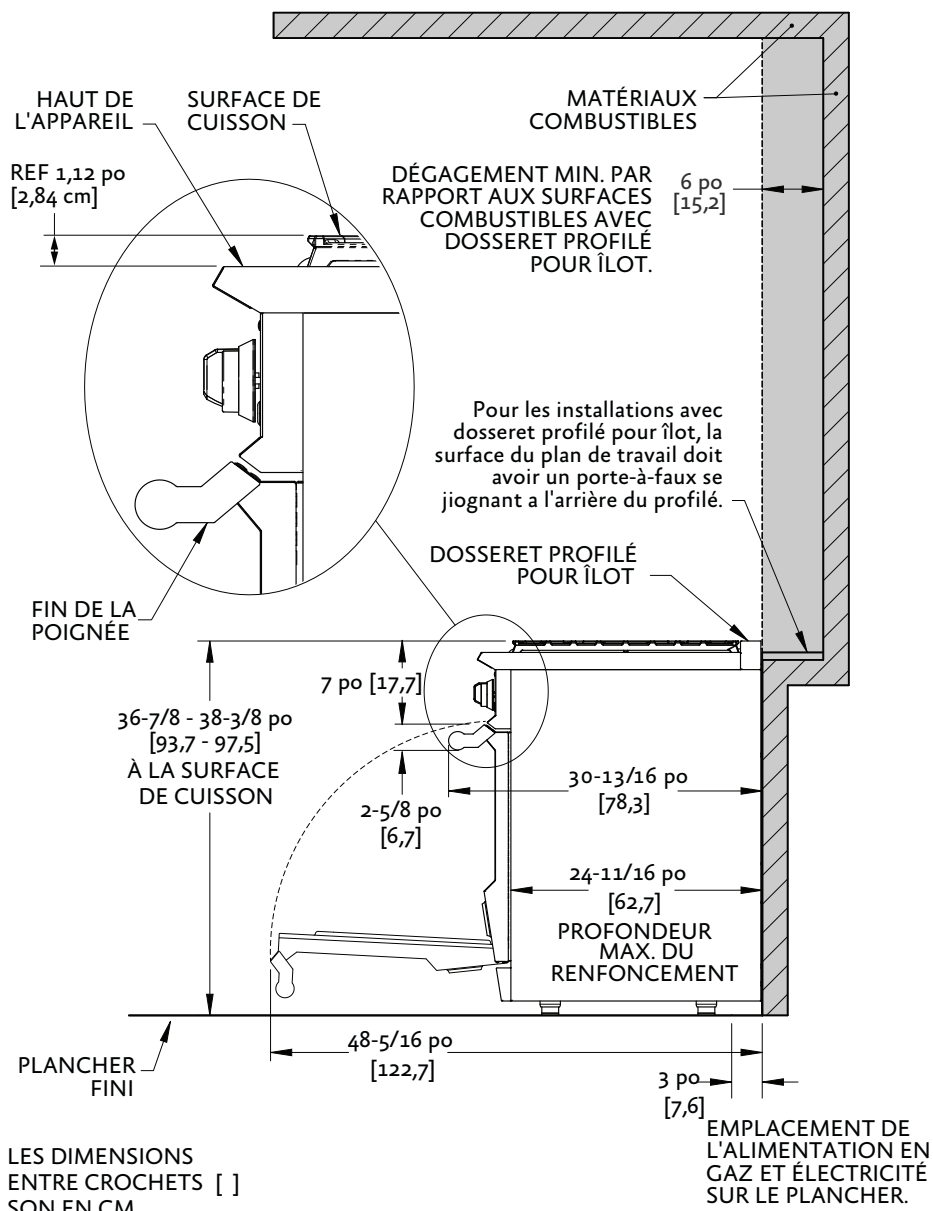
MODÈLE DE CUISINIÈRE	W	V (MIN)
KRG485GD	48 po [121,9]	30 po [76,2]
KRG484GD	48 po [121,9]	30 po [76,2]

REMARQUES:

- LES ZONES OMBRÉES INDIQUENT LES ENDROITS OÙ LES MATÉRIAUX COMBUSTIBLES SON PROHIBÉS.
- LE DESSUS DE L'APPAREIL DOIT ÊTRE AU MÊME NIVEAU OU PLUS HAUT QUE LES SURFACES DES PLANS DE TRAVAIL CONTIGUS.
- «G» INDIQUE LA ZONE DE RACCORDEMENT DE GAZ SUR LE MUR ARRIÈRE. MONTER LE ROBINET D'ARRÊT AUSSI HAUT QUE POSSIBLE DANS CETTE ZONE POUR EN FACILITER L'ACCÈS QUAND LA CUISINIÈRE EST EN PLACE.
- «E» EST LA ZONE D'ALIMENTATION ÉLECTRIQUE.
- «W» INDIQUE L'OUVERTURE DESTINÉE À L'APPAREIL. REMARQUE: LA FIN DE LA POIGNÉE S'ÉTEND DE 1/8 PO [3,2 MM] AU-DELÀ DE CHAQUE CÔTÉ DE L'APPAREIL. IL PEUT ÊTRE NÉCESSAIRE DE FOURNIR UNE ADAPTATION À DES TIROIRS OU DES ARMOIRES ADJACENTS.
- «V» INDIQUE LE DÉGAGEMENT MIN. PAR RAPPORT À LA HOTTE DE VENTILATION REQUISE.

EMPLACEMENT ET INSTALLATION / VENTILATION (SUITE)

DÉGAGEMENTS D'INSTALLATION AVEC DOSSERET PROFILÉ POUR ÎLOT



VUE DE CÔTÉ

EXIGENCES DE VENTILATION

Une hotte de ventilation est **REQUISE** au-dessus de cet appareil. Il est fortement recommandé d'installer cet appareil avec une hotte Hestan. En raison de la puissance calorifique élevée de cette cuisinière, il est très important que l'installation de la hotte et des conduits réponde aux codes de construction locaux et soit réalisée par un technicien qualifié.

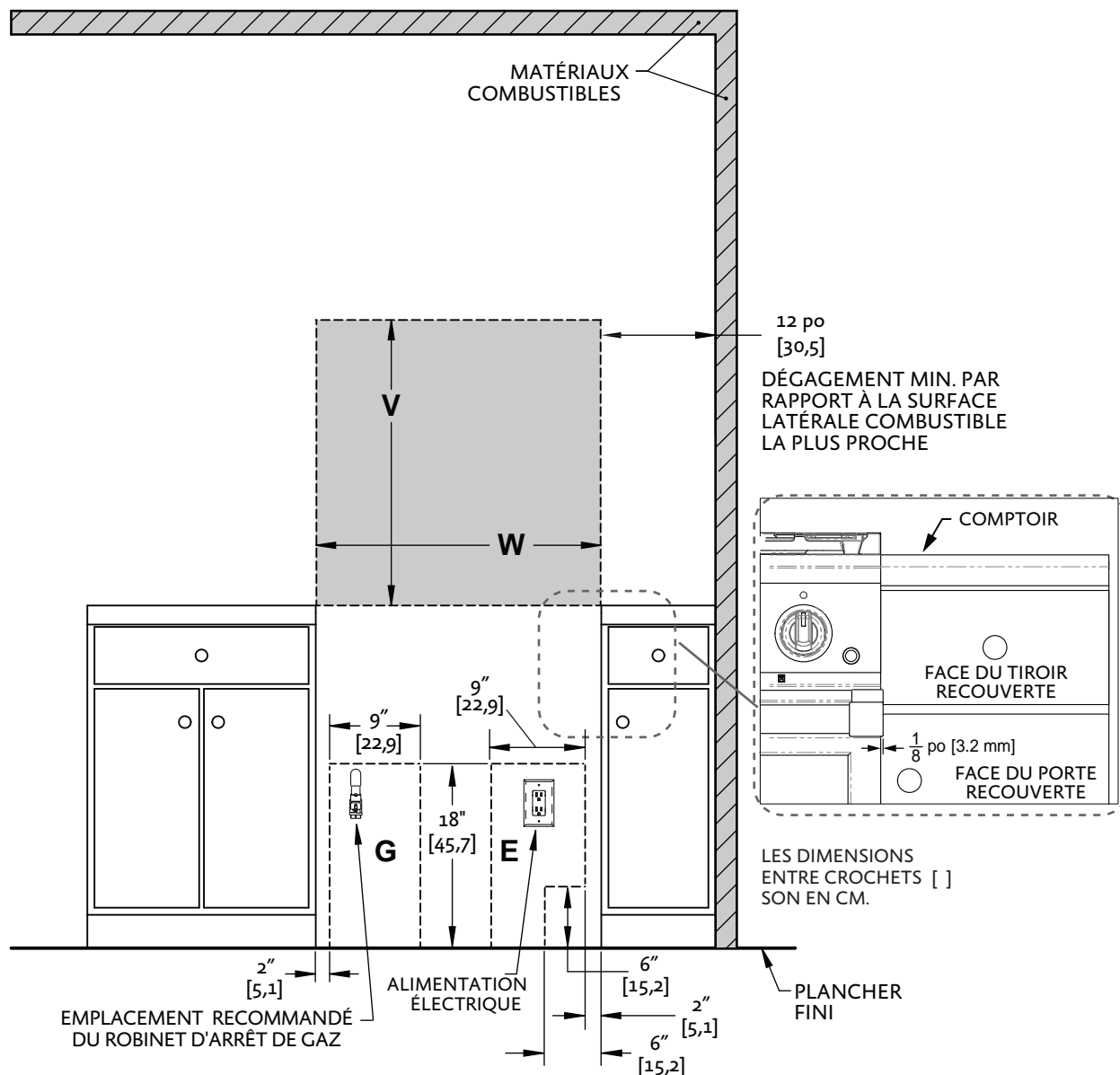
N'utilisez pas de système de ventilation à tirage descendant.

Ne montez pas un ensemble four à micro-ondes / ventilateur au-dessus de la cuisinière. Ces types d'unités n'offrent pas d'un débit d'air suffisant pour évacuer la chaleur élevée de cette cuisinière et n'ont pas été testés avec ce type d'appareil.

Pour les hottes d'évacuation non approuvées par Hestan, la hotte de ventilation et / ou la soufflante doivent avoir une capacité nominale de 1 pi³/min [1,7 m³/h] pour chaque 100 BTU [0,03 kW] de la cuisinière. (Voir la plaque signalétique pour l'évaluation en BTU de votre appareil.)

- Si la cuisinière est équipée d'une plaque chauffante de 12 po [30,5 cm], ajoutez 200 pi³/min supplémentaires [340 m³/h] à la capacité de la soufflante.

DÉGAGEMENTS D'INSTALLATION 30 PO AVEC DOSSERET PROFILÉ POUR ÎLOT



VUE DE FACE

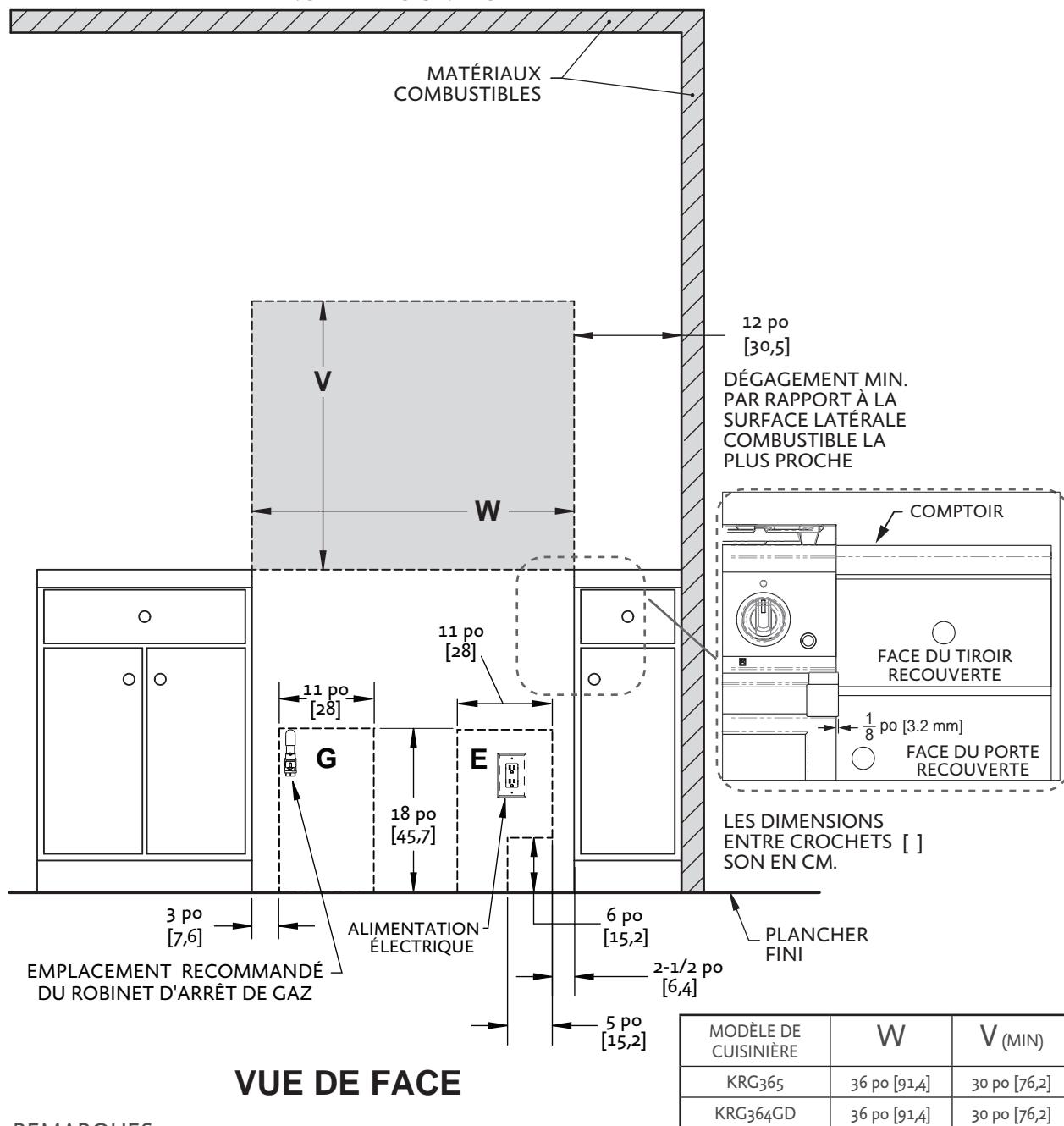
MODÈLE DE CUISINIÈRE	W	V (MIN)
KRC304	30 po [76,2]	30 po [76,2]

REMARQUES:

- LES ZONES OMBRÉES INDIQUENT LES ENDROITS OÙ LES MATÉRIAUX COMBUSTIBLES SON PROHIBÉS.
- LE DESSUS DE L'APPAREIL DOIT ÊTRE AU MÊME NIVEAU OU PLUS HAUT QUE LES SURFACES DES PLANS DE TRAVAIL CONTIGUS.
- «G» INDIQUE LA ZONE DE RACCORDEMENT DE GAZ SUR LE MUR ARRIÈRE. MONTER LE ROBINET D'ARRÊT AUSSI HAUT QUE POSSIBLE DANS CETTE ZONE POUR EN FACILITER L'ACCÈS QUAND LA CUISINIÈRE EST EN PLACE.
- «E» EST LA ZONE D'ALIMENTATION ÉLECTRIQUE.
- «W» INDIQUE L'OUVERTURE DESTINÉE À L'APPAREIL. REMARQUE: LA FIN DE LA POIGNÉE S'ÉTEND DE 1/8 PO [3,2 MM] AU-DELÀ DE CHAQUE CÔTÉ DE L'APPAREIL. IL PEUT ÊTRE NÉCESSAIRE DE FOURNIR UNE ADAPTATION À DES TIROIRS OU DES ARMOIRES ADJACENTS.
- «V» INDIQUE LE DÉGAGEMENT MIN. PAR RAPPORT À LA HOTTE DE VENTILATION REQUISE.

EMPLACEMENT ET INSTALLATION / VENTILATION (SUITE)

DÉGAGEMENTS D'INSTALLATION 36 PO AVEC DOSSERET PROFILÉ POUR ÎLOT



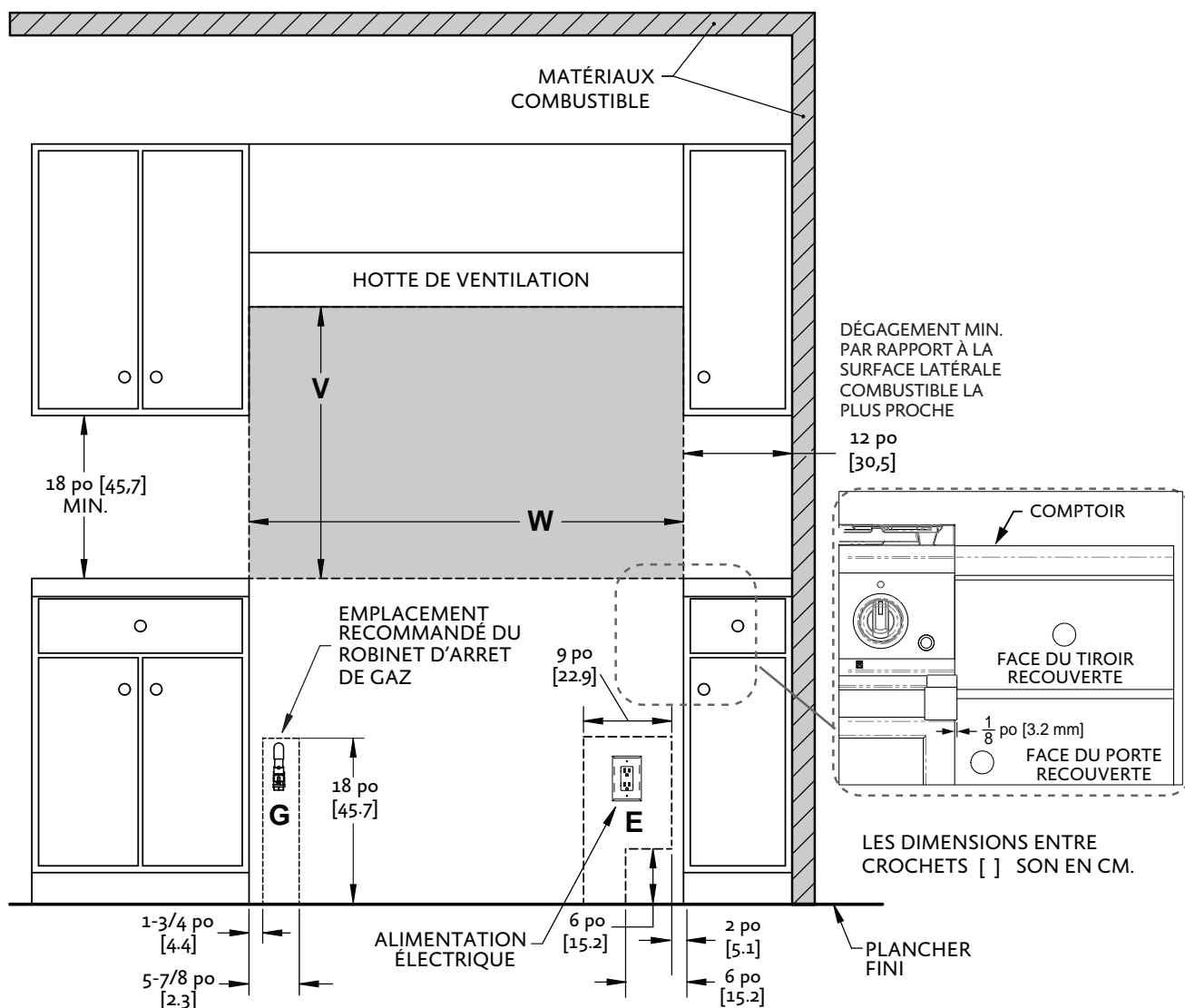
REMARQUES:

- LES ZONES OMBRÉES INDIQUENT LES ENDROITS OÙ LES MATÉRIAUX COMBUSTIBLES SON PROHIBÉS.
- LE DESSUS DE L'APPAREIL DOIT ÊTRE AU MÊME NIVEAU OU PLUS HAUT QUE LES SURFACES DES PLANS DE TRAVAIL CONTIGUS.
- «G» INDIQUE LA ZONE DE RACCORDEMENT DE GAZ SUR LE MUR ARRIÈRE. MONTER LE ROBINET D'ARRÊT AUSSI HAUT QUE POSSIBLE DANS CETTE ZONE POUR EN FACILITER L'ACCÈS QUAND LA CUISINIÈRE EST EN PLACE.
- «E» EST LA ZONE D'ALIMENTATION ÉLECTRIQUE.
- «W» INDIQUE L'OUVERTURE DESTINÉE À L'APPAREIL. REMARQUE: LA FIN DE LA POIGNÉE S'ÉTEND DE 1/8 PO [3,2 MM] AU-DELÀ DE CHAQUE CÔTÉ DE L'APPAREIL. IL PEUT ÊTRE NÉCESSAIRE DE FOURNIR UNE ADAPTATION À DES TIROIRS OU DES ARMOIRES ADJACENTS.
- «V» INDIQUE LE DÉGAGEMENT MIN. PAR RAPPORT À LA HOTTE DE VENTILATION REQUISE.

EMPLACEMENT ET INSTALLATION / VENTILATION (SUITE)

FR

DÉGAGEMENTS D'INSTALLATION 48 PO AVEC DOSSERET BAS



VUE DE FACE

MODÈLE DE CUISINIÈRE	W	V (MIN)
KRG485GD	48 po [121,9]	30 po [76,2]
KRG484GD	48 po [121,9]	30 po [76,2]

REMARQUES:

- LES ZONES OMBRÉES INDIQUENT LES ENDROITS OÙ LES MATÉRIAUX COMBUSTIBLES SON PROHIBÉS.
- LE DESSUS DE L'APPAREIL DOIT ÊTRE AU MÊME NIVEAU OU PLUS HAUT QUE LES SURFACES DES PLANS DE TRAVAIL CONTIGUS.
- «G» INDIQUE LA ZONE DE RACCORDEMENT DE GAZ SUR LE MUR ARRIÈRE. MONTER LE ROBINET D'ARRÊT AUSSI HAUT QUE POSSIBLE DANS CETTE ZONE POUR EN FACILITER L'ACCÈS QUAND LA CUISINIÈRE EST EN PLACE.
- «E» EST LA ZONE D'ALIMENTATION ÉLECTRIQUE.
- «W» INDIQUE L'OUVERTURE DESTINÉE À L'APPAREIL. REMARQUE: LA FIN DE LA POIGNÉE S'ÉTEND DE 1/8 PO [3,2 MM] AU-DELÀ DE CHAQUE CÔTÉ DE L'APPAREIL. IL PEUT ÊTRE NÉCESSAIRE DE FOURNIR UNE ADAPTATION À DES TIROIRS OU DES ARMOIRES ADJACENTS.
- «V» INDIQUE LE DÉGAGEMENT MIN. PAR RAPPORT À LA HOTTE DE VENTILATION REQUISE.



EMPLACEMENT ET INSTALLATION / VENTILATION (SUITE)

Pour les applications en îlot, il est recommandé d'utiliser une hotte d'évacuation plus large de 6 po [15,2 cm] que l'appareil, pour permettre un chevauchement de 3 po [7,6 cm] à gauche et à droite de l'appareil.

Gardez le conduit court aussi court et droit que possible. Les coudes et les raccords de transition réduisent l'efficacité du flux d'air. Hestan recommande de maintenir la longueur du conduit à moins de 50 pieds [15,2 m].

Consultez votre concessionnaire Hestan pour choisir la hotte de ventilation approprié pour votre appareil Hestan.

FR

DOSSERET ET ACCESSOIRES

PRÉCAUTION

Les accessoires en tôle tels que le dossier et les zones à l'arrière de la cuisinière peuvent avoir des bords tranchants. Portez des gants de travail pendant la manipulation et l'installation de ces articles.

DOSSERET

Votre cuisinière Hestan est fournie en usine avec un dossier Island Trim (à Profilé pour Îlot). Voir le Tableau 1 de la section APPENDICE de ce manuel pour d'autres options de dossier disponibles chez votre concessionnaire Hestan. La sélection du dossier approprié dépend du lieu d'installation et des matériaux contigus, ainsi que du type de hotte à utiliser. Les instructions d'installation accompagnent le kit de dossier. UN DOSSERET BAS OU ÉTAGÈRE HAUTE EST REQUIS LORS DE L'INSTALLATION DE LA CUISINIÈRE CONTRE UNE SURFACE COMBUSTIBLE - LA DOSSERET À PROFILÉ POUR ÎLOT NE CONVIENT PAS.

PRÉCAUTION

Le haut du dossier sert d'échappement pour le four pendant le fonctionnement et comme évent pour évacuer la chaleur de la partie supérieure de la cuisinière.

- NE PAS BLOQUER ou obstruer le haut du dossier.
- NE PAS touchez le haut du dossier pendant le fonctionnement de l'appareil, car il pourrait chauffer. Lui laisser suffisamment de temps pour refroidir avant de toucher ou de nettoyer cette zone.
- NE PAS placer à proximité d'objets en plastique ou d'autres objets sensibles à la chaleur qui pourraient fondre ou brûler.

INSTALLATION DU DISPOSITIF ANTI-BASCULEMENT



LE DISPOSITIF ANTI-BASCULEMENT FOURNI AVEC CETTE CUISINIÈRE DOIT ÊTRE INSTALLÉ.

PRÉPARATION



DÉGÂTS MATÉRIELS POSSIBLES - Faites appel à un installateur ou à un entrepreneur qualifié pour déterminer la méthode appropriée de fixation du support anti-basculement sur le mur arrière ou le plancher derrière votre cuisinière. Des perceuses ou des outils spéciaux peuvent être nécessaires pour percer des trous dans le mur ou le plancher (carreaux de céramique, planchers de bois dur, etc.).



RISQUE DE CHOC ÉLECTRIQUE - Faites preuve d'une extrême prudence lorsque vous percez des trous dans le mur ou le plancher, car il pourrait y avoir des fils cachés. Identifier les circuits électriques qui pourraient être affectés par l'installation du support anti-basculement. Coupez l'alimentation de ces circuits. Le non-respect de ces instructions peut entraîner la mort ou un choc électrique.

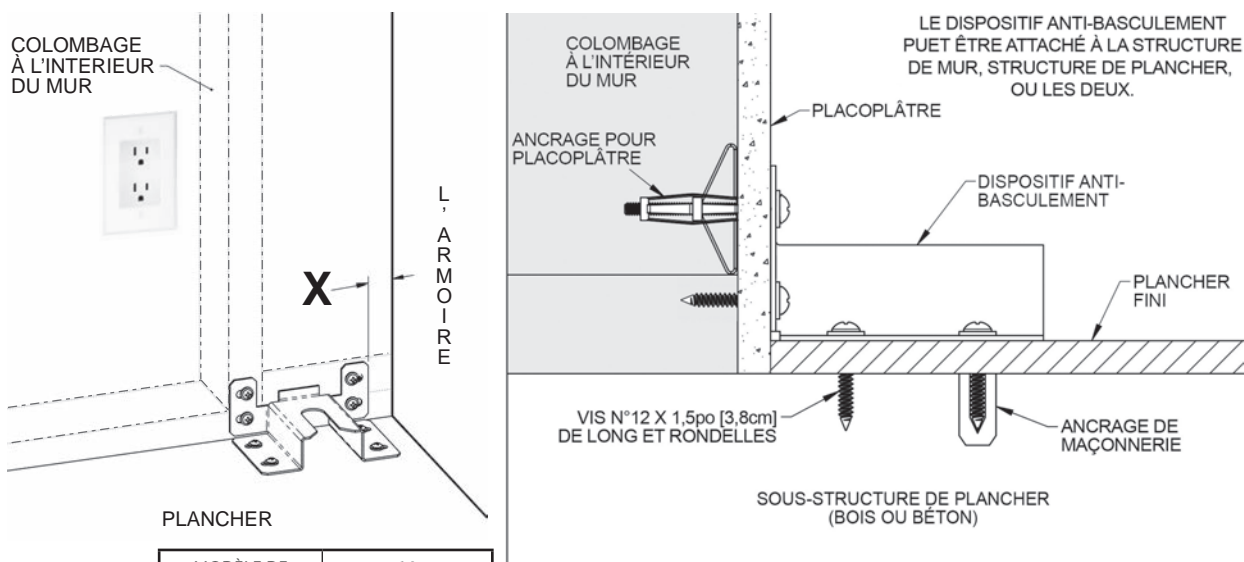
PRÉPARATION DES TROUS

Le support anti-basculement doit être installé dans des matériaux solides, tels que des colombage en bois dans le mur ET des solives de plancher sous le plancher fini. Ils doivent être capables de résister aux forces exercées sur le support par la cuisinière si celle-ci bascule. Si des colombage en bois ou d'autres matériaux appropriés ne se trouvent pas dans la zone désignée derrière la cuisinière, vous devez fixer le support à l'aide d'ancrages pour placoplâtre appropriés ou d'attaches similaires.

INSTALLATION DEVANT DU PLACOPLÂTRE: Après avoir positionné le support conformément au schéma ci-dessous, marquez les trous et percez les trous appropriés conformément aux instructions fournies avec les ancrages muraux. Pour le panneau isorel ou en plâtre massif, vous aurez peut-être besoin de différentes chevilles, disponibles dans votre quincaillerie ou magasin de bricolage locale.

INSTALLATION SUR PLANCHER DE BOIS: Après avoir positionné le support comme indiqué sur le schéma ci-dessous, marquer les trous et percez les trous appropriés pour les grandes vis à bois n°12 ou similaires, d'au moins 1,5 po [3,8 cm] de longueur. Utilisez également des rondelles. Tout le matériel est disponible dans votre quincaillerie ou magasin de bricolage locale.

INSTALLATION SUR PLANCHER DE BÉTON: Après avoir positionné le support comme indiqué sur le schéma ci-dessous, marquer les trous et percez les trous appropriés pour les gros ancrages de maçonnerie n°12 ou similaires, d'au moins 1,5 po [3,8 cm] de longueur. Utilisez également des rondelles. Tout le matériel est disponible dans votre quincaillerie ou magasin de bricolage locale.

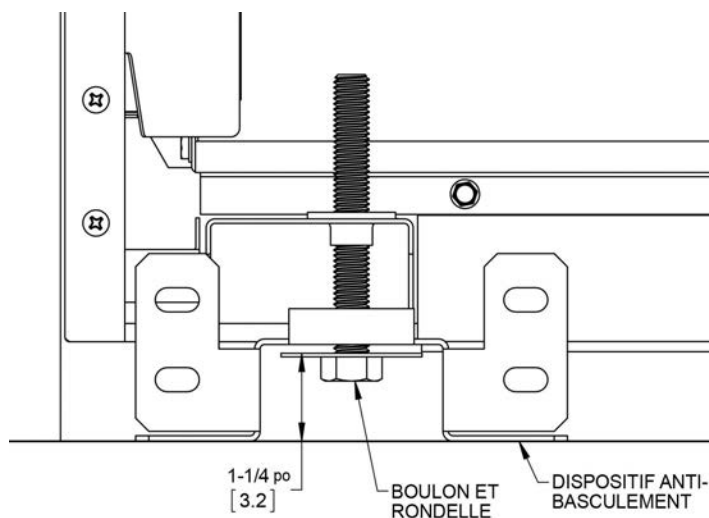


MODÈLE DE CUISINIÈRE	X
30 po, 48 po	1 po [2,5 cm]
36 po	1-13/16 po [4,6 cm]

INSTALLATION DU DISPOSITIF ANTI-BASCULEMENT (SUITE)

AJUSTEMENT DU BOULON ANTI-BASCULEMENT

Après avoir mis à niveau la cuisinière, et après avoir fixé le support, réglez le boulon anti-basculement et la grosse rondelle sous la cuisinière de façon à ce que le dessus de la rondelle soit à 1-1/4 po [3,2 cm] au maximum du plancher. Faites glisser la cuisinière dans l'ouverture du support et vérifiez que le boulon est engagé dans le support comme indiqué ci-dessous. Faites délicatement basculer la cuisinière vers l'avant pour vérifier. La cuisinière ne doit pas bouger de plus de 1 po [2,5 cm].



VUE ARRIÈRE

BRANCHEMENTS ÉLECTRIQUES

⚠️ AVERTISSEMENT

RISQUE DE CHOC ÉLECTRIQUE

Débranchez l'alimentation avant d'installer ou d'entretenir l'appareil. Avant de mettre l'appareil sous tension, assurez-vous que toutes les commandes sont en position «OFF». Ne pas le faire peut entraîner un choc électrique ou la mort.

MISE À LA TERRE ÉLECTRIQUE

Cet appareil doit être mis à la terre. La mise à la terre réduit le risque de choc électrique en cas de court-circuit. La mise à la terre par le conducteur neutre est interdite pour les nouvelles installations de circuit de dérivation (1996 NEC), ainsi dans les maisons mobiles et les véhicules récréatifs, ou dans une zone où les codes locaux l'interdisent. Votre cuisinière Hestan est équipée d'une prise à trois broches de mise à la terre qui doit être branchée dans une prise 120V à 3 broches mise à la terre.



FR

⚠️ PRÉCAUTION

Une mise à la terre incorrecte entraînera des dysfonctionnements dans l'unité, tels que des étincelles continues des allumeurs. Cela peut endommager l'appareil et créer une situation d'électrocution.

BRANCHEMENT ÉLECTRIQUE

La prise doit avoir son propre circuit distinct - 120 VAC, monophasé, 60 Hz, avec un ampérage nominale de 15 ampères. Si aucune n'est disponible, un électricien agréé doit installer la prise distinct et mise à la terre comme il convient. L'installation doit être effectuée conformément aux codes locaux, ou en l'absence de codes locaux, elle doit être installée conformément au Code National de l'Électricité, ANSI / NFPA 70.

1. Assurez-vous que le panneau d'alimentation / disjoncteur est hors tension.
2. Raccordez l'appareil dans la prise murale. Sécurisez le cordon pour qu'il ne puisse pas se coincer ou se coincer derrière la cuisinière.
3. Avant de rétablir l'alimentation sur le panneau d'alimentation / disjoncteur, assurez-vous que toutes les commandes sont en position «OFF».

RACCORDEMENT DE GAZ

ALIMENTATION EN GAZ

Consulter les autorités locales responsables ou le fournisseur lors de la phase de planification de l'installation afin de vérifier qu'un approvisionnement suffisant en gaz (gaz naturel ou GPL) est disponible. S'il s'agit d'une nouvelle installation, demander aux autorités locales responsables ou au fournisseur de vérifier la capacité du compteur et la tuyauterie pour s'assurer que l'appareil reçoit le volume et la pression de gaz dont il a besoin pour fonctionner.

Faire effectuer les raccordements de gaz par un plombier qualifié ou un installateur professionnel d'appareils de cuisson.

Tous les appareils doivent être équipés d'un robinet d'arrêt amont de gaz accessible permettant de les isoler pour arrêt d'urgence et entretien.

S'assurer que la tuyauterie et les raccordements nouveaux ont été posés dans des conditions de propreté et purgés de façon à empêcher de la pâte à tuyau, des débris, etc. de boucher les détendeurs, robinets, orifices calibrés ou brûleurs. Utiliser une pâte à tuyau ou pâte d'étanchéité pour raccords filetés homologuées pour le gaz naturel et le GPL.

L'appareil doit être isolé du système de tuyauterie d'alimentation en gaz en fermant son robinet d'arrêt manuel individuel pendant tout test de pression de ce système à des pressions d'essai égales ou inférieures à 1/2 livres/po² [3,5 kPa].

NE JAMAIS RACCORDER L' APPAREIL UNE ALIMENTATION EN GAZ SANS DÉTENDEUR. Avant de procéder à l'installation, s'assurer que l'appareil est adapté au gaz naturel ou au GPL. Le raccordement à une alimentation en gaz incorrect entraînera un rendement médiocre et un risque accru de dégâts matériels ou de blessures. Le type et la consommation (BTU/h) de gaz de chaque type de brûleur sont indiqués sur la plaque signalétique.

L'installation de cet appareil de cuisson doit être effectuée conformément aux codes locaux. En l'absence de tels codes, installer cet appareil conformément au National Fuel Gas Code ANSI Z223.1/NFPA 54, au code Natural Gas and Propane Installation CSA B149 ou au Propane Storage and Handling Code B149.2.

REMARQUE : Voir la plaque signalétique pour la pression d'admission du type de gaz de l'appareil.

La connexion de gaz à l'arrière de la cuisinière (voir ci-dessous) comporte des filetages de 1/2" NPT interne. Utilisez un tuyau flexible en acier inoxydable (semi-rigide) d'un diamètre interne d'au moins 3/4 po (1 po de diamètre extérieur) avec les raccords appropriés pour éviter les pénuries de gaz. Ce flexible ne devrait pas avoir plus de 48 po [1,2 m] de longueur. Appliquer de la pâte d'étanchéité appropriée sur tous les raccords. Ne pas appliquer de pâte d'étanchéité sur les raccords évasés.

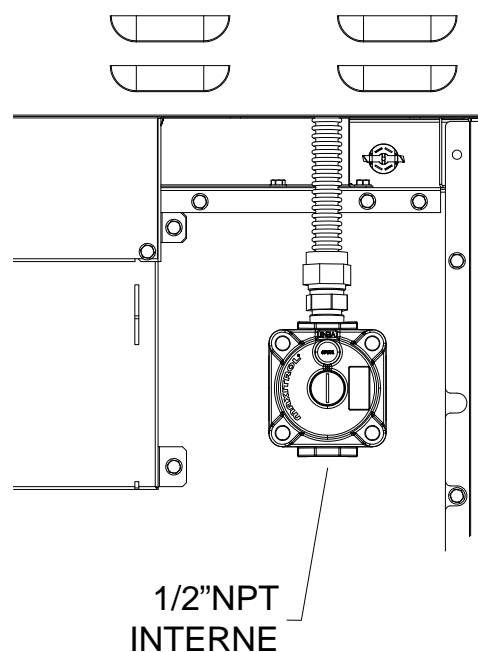
La flexible d'alimentation ne doit pas interférer avec l'arrière de la cuisinière. Soyez prudent lorsque vous poussez la cuisinière contre le mur arrière, afin de ne pas plier ou pincer le flexible car cela pourrait entraîner une fuite de gaz.

KITS DE CONVERSION

Dans le cas où votre appareil Hestan doit être converti du Gaz Naturel au GPL, ou vice-versa, vous devrez contacter le service clientèle de Hestan pour faire effectuer cette conversion. Celle-ci doit être effectuée que par un technicien qualifié.

KITS DE HAUTE ALTITUDE

Si vous vivez dans une région à haute altitude, c'est-à-dire au moins 2000 pi [610 m] au-dessus du niveau de la mer, votre appareil peut exiger des orifices calibrés différents pour une combustion et un rendement appropriés. Vous devrez contacter le service clientèle de Hestan pour faire effectuer cette opération. Les kits Haute Altitude doivent être installés par un technicien qualifié. Veuillez avoir les informations relatives aux numéros de modèle et de série à portée de la main lorsque vous appelez.



RACCORDEMENT DE GAZ (SUITE)

RACCORDEMENT DE GAZ - GAZ NATUREL

Pour faire en sorte que cet appareil chauffe bien, vérifiez que la pression dans la conduite d'alimentation en gaz est suffisante. L'appareil est fourni avec un détendeur de pression de gaz déjà installé. Ce détendeur est réglé pour une pression d'alimentation de 7-14 po à la colonne d'eau [1,74-3,48 kPa] pour maintenir une pression de sortie (collecteur) nominale de 5 po à la colonne d'eau [1,24 kPa].

S'assurer que la conduite de branchement alimentant l'appareil est pourvue d'un robinet d'arrêt facile d'accès permettant de couper le gaz en cas d'urgence.

RACCORDEMENT DE GAZ – PROPANE LIQUIDE (GPL)

Si vous avez acheté une version GPL de votre appareil, il sera fourni avec un détendeur de pression de gaz déjà installé.

Ce détendeur est réglé pour maintenir une pression de sortie (collecteur) nominale de 10 po à la colonne d'eau [2,49 kPa]. Assurez-vous que la flexible d'alimentation de l'appareil est équipé d'un robinet d'arrêt facile d'accès permettant de couper le gaz en cas d'urgence.

Lors de la connexion au GPL, vérifiez que le réservoir est équipé de son propre détendeur haute pression. La pression du gaz fourni à l'appareil doit être 11-14 po à la colonne d'eau [2,74-3,48 kPa].

CONTRÔLE D'ÉTANCHÉITÉ

GÉNÉRALITÉS

Bien que l'étanchéité de tous les raccordements de gaz de ce appareil Hestan ait été contrôlée à l'usine préalablement à l'expédition, un contrôle complet d'étanchéité doit être effectué sur le lieu d'installation pour tenir compte d'un possible déplacement en cours de transport ou d'une pression excessive exercée par mégarde sur certaines pièces de l'appareil. Contrôler régulièrement l'étanchéité de l'ensemble du système ou le faire immédiatement si on perçoit une odeur de gaz. L'essai d'étanchéité de l'appareil doit être exécuté conformément aux instructions suivantes:

AVANT LE CONTRÔLE



NE PAS FUMER PENDANT LE CONTRÔLE D'ÉTANCHÉITÉ

- Ne jamais contrôler l'étanchéité avec une flamme nue.
- Préparer une solution savonneuse consistant en un volume de détergent liquide et un volume d'eau à des fins de contrôle d'étanchéité.
- Appliquer de la solution sur les raccords de gaz à l'aide d'un flacon pulvérisateur ou d'un pinceau.

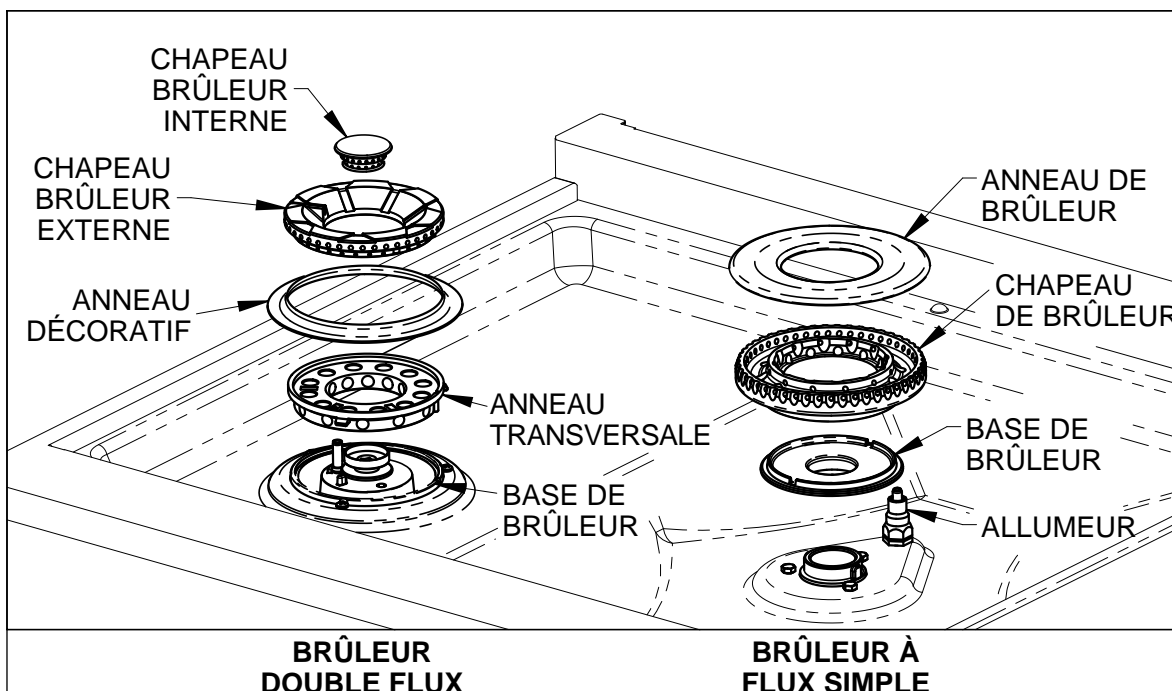
POUR EFFECTUER LE CONTRÔLE

- S'assurer que toutes les robinets de réglage sont en position «OFF».
- Appliquer de la solution savonneuse décrite plus haut sur tous les raccords et le flexible.
- Ouvrir l'arrivée de gaz.
- Contrôler tous les raccordements depuis la conduite d'alimentation jusqu'à la connexion du détendeur à l'arrière de l'appareil.
- Des bulles de savon se formeront à l'emplacement d'une fuite. En cas de fuite, couper immédiatement l'arrivée de gaz, resserrer tout raccord qui fuit, rouvrir l'arrivée de gaz et recommencer le contrôle.
- S'il s'avère impossible d'arrêter une fuite de gaz, couper l'arrivée de gaz et s'adresser au concessionnaire qui a vendu l'appareil.
- Ne pas utiliser l'appareil tant que tous les raccordements n'ont pas été contrôlés et qu'ils fuient.

PHASE FINALE DE L'INSTALLATION

Enlevez les matériaux d'emballage final et les films protecteurs de toutes les zones extérieures. Vérifiez à l'intérieur du four pour voir s'il y a d'autres articles d'emballage, du ruban adhésif sur les grilles du four, etc. Installez tous les éléments non fixés tels que les chapeaux de brûleurs scellés, les grilles de cuisson, etc. Assurez-vous que les chapeaux des brûleurs scellés sont bien en place sur la base du brûleur comme indiqué ci-dessous. Il y a des encoches sur la base du brûleur et une anneau transversale pour faciliter l'alignement. Le dessus du chapeau du brûleur externe comporte une longue fente qui s'aligne sur l'allumeur par étincelle. L'assemblage du chapeau du brûleur à flux simple est similaire.

FR



Avant de tester le fonctionnement de l'appareil, vérifiez que le contrôle de fuite a été effectué et que l'appareil a été remis sous tension. Tournez le robinet d'arrêt de gaz en position ouverte.

AVIS

Tous les boutons de commande doivent être en position OFF pour empêcher tout fonctionnement accidentel à la mise sous tension.

En cas de panne de courant, le four s'éteindra. Les brûleurs de surface continueront à brûler, mais doivent être allumés manuellement avec un briquet ou une allumette appropriés. Une fois le courant rétabli, le four ne fonctionnera pas tant que les boutons du four ne sont pas à la position OFF. Réglez tous les boutons sur OFF et reprenez l'utilisation normale.

N'ESSAYEZ PAS D'UTILISER LA CUISINIÈRE PENDANT UNE PANNE DE COURANT PROLONGÉE.

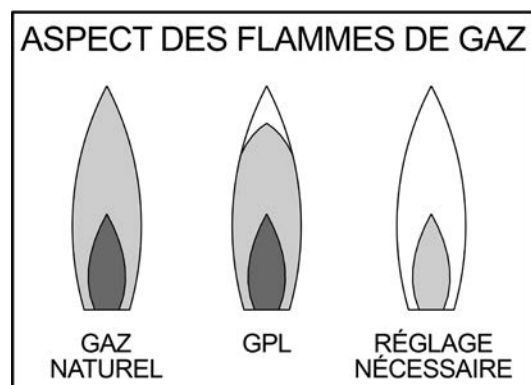
Vérifiez l'allumage à chaque brûleur. L'allumeur émettra un déclic jusqu'à ce que la flamme s'allume dans les 4 secondes, puis le déclic s'arrêtera. Vérifiez les caractéristiques de la flamme de chaque brûleur selon les descriptions ci-dessous. Les flammes doivent être stables et ne pas danser ni s'arracher des orifices du brûleur. La flamme peut devoir brûler pendant quelques minutes pour purger les conduits de gaz des impuretés. Celles-ci apparaissent comme des pointes oranges intermittentes ou même de minuscules étincelles dans la flamme. Ceci est normal et la flamme finira par se stabiliser comme celles montrées sur l'illustration ci-dessous.

Si, après quelques minutes, les flammes continuent de brûler surtout en jaune, vérifiez que le chapeau de brûleur est bien en place sur la base, puis refaites le test. Soyez prudent lorsque vous manipulez les chapeaux du brûleurs. Ils peuvent être très chauds.

PHASE FINALE DE L'INSTALLATION (SUITE)

Tournez le bouton de commande à la position de mijotage pour vérifier la fonction.

Vérifiez chaque brûleur individuellement, puis vérifiez qu'ils fonctionnent de manière satisfaisante avec les autres brûleurs allumés.



Flamme bleu clair - Flamme normale de gaz naturel

Flamme bleu clair avec des pointes jaunes - Flamme normale de gaz GPL

Flamme jaune - Réglage nécessaire

FR

PLAQUE CHAUFFANTE

La plaque chauffante n'a pas de réglages flamme/brûleur. Tournez le bouton de commande sur HIGH, vérifiez que la plaque chauffante chauffe. Vous pouvez également remarquer une lueur orange constante aux l'évents à l'arrière de la plaque chauffante. Ceci est normal pendant le fonctionnement de la plaque chauffante.

Éteignez tous les brûleurs lorsque le test est terminé.

Si tous les tests qui précèdent continuent de produire des flammes surtout jaunes ou que les brûleurs ne s'allument pas, contactez le service clientèle de Hestan pour faire effectuer la réparation.

FONCTIONNEMENT DU FOUR

Toutes les vérifications de la table de cuisson doivent être effectuées avant la vérification du fonctionnement du four.

Ouvrez et fermez la porte du four pour vérifier que les lumières du four s'allument à l'ouverture et disparaissent une fois fermées. Éteignez les lumières du four à l'aide de l'interrupteur du panneau de commande pour valider le bon fonctionnement.

Avec la porte ouverte, réglez le sélecteur de mode sur BAKE et le sélecteur de température sur 350° F. Les deux boutons du rétroéclairage s'allumeront et le indicateur orange «chauffage» s'allumera. L'allumeur de cuisson (situé sous le bac de graisse inférieur) commence à briller et une fois qu'il a atteint la température appropriée, la robinet de gaz est alimentée. Vérifiez les caractéristiques d'allumage et de flamme du brûleur.

Fermez la porte du four. Réglez le bouton de mode et le bouton de température sur BROIL. Les deux boutons du rétroéclairage s'allumeront et le indicateur orange «chauffage» s'allumera. L'allumeur de grillage (situé en haut de la cavité du four) commence à briller et une fois que la température appropriée est atteinte, la robinet à gaz est alimentée. Vérifiez les caractéristiques d'allumage et de flamme du brûleur de grillage.

Éteignez le four.

REMARQUE: Une petite quantité de fumée et d'odeur peut être notée pendant cet essai et pendant la période de rodage initiale.

SERVICE

Toutes les réparations sous garantie et hors garantie doivent être effectuées par un technicien qualifié. Pour trouver un réparateur agréé dans votre région, contactez votre concessionnaire Hestan, votre représentant local, ou Hestan. Avant d'appeler, veuillez avoir sous la main le numéro de modèle et le numéro de série.

Hestan Commercial Corporation
3375 E. La Palma Avenue
Anaheim, CA 92806
(888) 905-7463

TABLEAU 1 - OPTIONS DU DOSSERET		
MODÈLE DE CUISINIÈRE	MODÈLE DE DOSSERET	DESCRIPTION
KRG304	KBGIT30*	DOSSERET, PROFILE POUR ÎLOT, 30 PO
	KBGLB30	DOSSERET, ARRIÈRE BAS, 30 PO
	KBGHS30	DOSSERET, ÉTAGÈRE HAUTE , 30 PO
KRG365	KBGIT36*	DOSSERET, PROFILE POUR ÎLOT, 36 PO
	KBGLB36	DOSSERET, ARRIÈRE BAS, 36 PO
	KBGHS36	DOSSERET, ÉTAGÈRE HAUTE , 36 PO
KRG364GD	KBGIT36*	DOSSERET, PROFILE POUR ÎLOT, 36 PO
	KBGLB36	DOSSERET, ARRIÈRE BAS, 36 PO
	KBGHS36	DOSSERET, ÉTAGÈRE HAUTE , 36 PO
KRG485GD	KBGIT48*	DOSSERET, PROFILE POUR ÎLOT, 48 PO
	KBGLB48	DOSSERET, ARRIÈRE BAS, 48 PO
	KBGHS48	DOSSERET, ÉTAGÈRE HAUTE , 48 PO
KRG484GD	KBGIT48*	DOSSERET, PROFILE POUR ÎLOT, 48 PO
	KBGLB48	DOSSERET, ARRIÈRE BAS, 48 PO
	KBGHS48	DOSSERET, ÉTAGÈRE HAUTE , 48 PO

* INCLUS AVEC CUISINIÈRE

CETTE PAGE N'EST PAS UTILISÉE.

FR

**RETAIN THIS MANUAL FOR FUTURE REFERENCE
CONSERVEZ CE MANUEL POUR UNE RÉFÉRENCE FUTURE**



Hestan Commercial Corporation

3375 E. La Palma Ave.
Anaheim, CA 92806
(888) 905-7463