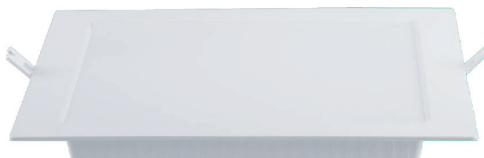


INSTRUCTION MANUAL LED BACKLIT RECESSED PANEL



TECHNICAL DATA

MODEL	SKU	SHAPE	WATTS	LUMENS	BEAM ANGLE	IP RATING	CRI	BODY TYPE	TOTAL CURRENT	INPUT VOLTAGE	LIFE SPAN [HOURS]	ON/OFF CYCLE [TIMES]	DIMENSION (LxWxH)
VT-61006CCT	78586	ROUND	6W	630 Lm	120°	IP20	>80	Plastic	36mA	AC:220-240 50/60Hz	30,000	>15000	120.5x28.4mm
VT-61012CCT	78616		12W	1320 Lm	120°	IP20	>80	Plastic	71mA	AC:220-240 50/60Hz	30,000	>15000	170.8x28.4mm
VT-61018CCT	78646		18W	1980 Lm	120°	IP20	>80	Plastic	103mA	AC:220-240 50/60Hz	30,000	>15000	220.8x28.9mm
VT-61024CCT	78676		24W	2640 Lm	120°	IP20	>80	Plastic	160mA	AC:220-240 50/60Hz	30,000	>15000	296x29.1mm
VT-61006CCT	104806	SQUARE	6W	630 Lm	120°	IP20	>80	Plastic	36mA	AC:220-240 50/60Hz	30,000	>15000	120.5x120.5x28.4mm
VT-61012CCT	104836		12W	1320 Lm	120°	IP20	>80	Plastic	71mA	AC:220-240 50/60Hz	30,000	>15000	170.8x170.8x28.8mm
VT-61018CCT	104866		18W	1980 Lm	120°	IP20	>80	Plastic	103mA	AC:220-240 50/60Hz	30,000	>15000	220.4x220.4x28.8mm
VT-61024CCT	104896		24W	2640 Lm	120°	IP20	>80	Plastic	160mA	AC:220-240 50/60Hz	30,000	>15000	295x295x28.6mm

'This product contains a light source of energy efficiency class <F/E>', where <F/E> shall be replaced by the energy efficiency class of the contained light source.

INTRODUCTION & WARRANTY

Thank you for selecting and buying V-TAC product. V-TAC will serve you the best. Please read these instructions carefully before starting the installation and keep this manual handy for future reference. If you have any another query, please contact our dealer or local vendor from whom you have purchased the product. They are trained and ready to serve you at the best. The warranty is valid for 6 years from the date of purchase. The warranty does not apply to damage caused by incorrect installation or abnormal wear and tear. The company gives no warranty against damage to any surface due to incorrect removal and installation of the product. The products are suitable for 10-12 Hours Daily operation. Usage of product for 24 Hours a day would void the warranty. This product is warranted for manufacturing defects only.

WARNING

- Please make sure to turn off the power before starting the installation.
- Installation must be performed by a certified person.
- If the external flexible cable or cord of this luminaire is damaged, it shall be exclusively replaced by the manufacturer or his service agent or a similar qualified person in order to avoid a hazard.
- Method of attachment of the cable or cord such that any replacement can only be made by the manufacturer, his service agent or similar qualified person.
- For Indoor use only



**6 YEAR
WARRANTY***



**MULTI-LANGUAGE
MANUAL QR CODE**

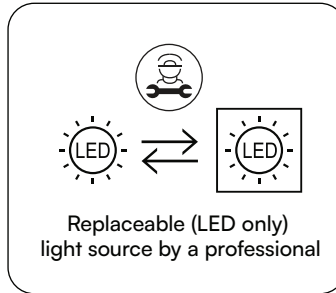
Please scan the QR code to access the manual in multiple languages.



This marking indicates that this product should not be disposed of with other household wastes.



Caution, risk of electric shock.



Points de collecte sur www.quefairedemesdechets.fr
Privilégiez la réparation ou le don de votre appareil !

ATTENTION!

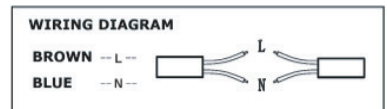
Do not look directly at the LED light beam. Operate the product only with the rated voltage or within the specified voltage range. Do not use the product if the protective cover is damaged. Avoid using the product in adverse conditions such as dust, water, moisture, vibrations, explosive atmospheres, or chemical fumes. Strong electromagnetic interference may affect product performance.

USAGE GUIDELINES/MAINTENANCE

All maintenance must be performed only after disconnecting the power supply and allowing the product to cool. Clean with a soft, dry cloth only—do not use chemical cleaners. Do not cover the product, and ensure adequate airflow, as the unit may reach high operating temperatures.

MOUNTING

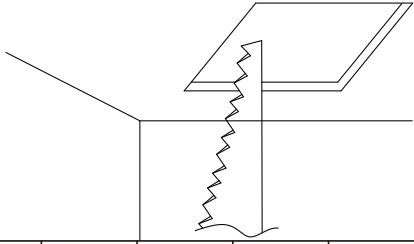
Read the manual before installation. Installation must be performed by a qualified electrician. Exercise caution: the product has a protective contact/terminal, and failure to connect it may result in electric shock. Refer to the mounting diagram for guidance. Ensure proper mechanical fastening and electrical connection before first use.



RECESSED PANEL INSTALLATION DIAGRAM

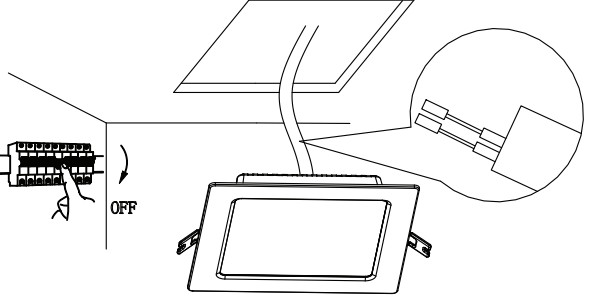
ROUND PANEL	3W	6W	12W	18W	24W
INSTALLATION HOLE SIZE	∅80 (77-82mm)	∅105 (105-110mm)	∅150 (145-150mm)	∅195 (190-200mm)	∅270 (265-275mm)

- Cut a ceiling opening using an appropriate tool, matching the specified cut-out dimensions.
- Switch OFF the power supply before proceeding.
- Connect the AC input wires securely to the terminal block.
- Adjust the color temperature using the CCT switch.
- Hold both clips against the light, insert it into the ceiling hole, and let the springs secure it in place.
- Switch on the power and test the light.

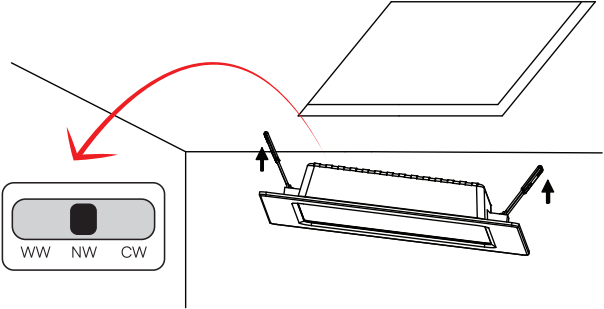


SQUARE PANEL	3W	6W	12W	18W	24W
INSTALLATION HOLE SIZE	80x80 (75-80mm)	105x105 (105-110mm)	150x150 (145-150mm)	195x19 (190-200mm)	270x270 (265-275mm)

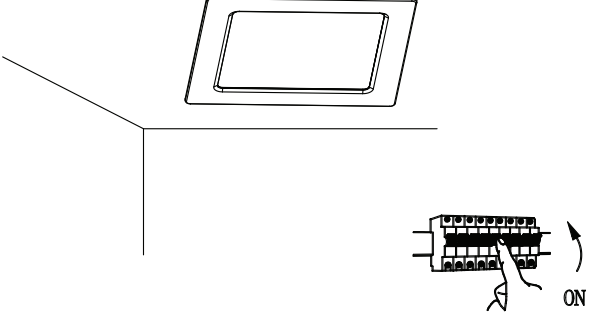
1. Cut a ceiling opening using an appropriate tool, matching the specified cut-out dimensions.



2. Switch OFF the power supply before proceeding.
3. Connect the AC input wires securely to the terminal block.



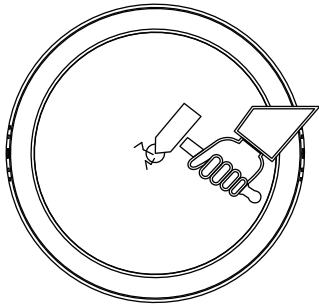
4. Adjust the color temperature using the CCT switch.
5. Hold both clips against the light, insert it into the ceiling hole, and let the springs secure it in place.



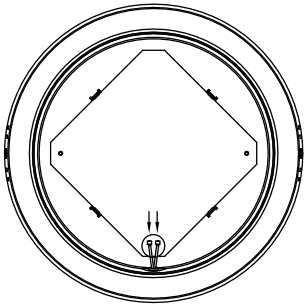
6. Switch on the power and test the light.

DISASSEMBLY DIAGRAM

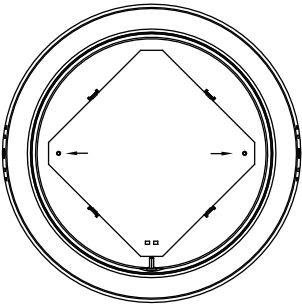
(For Market surveillance team only)



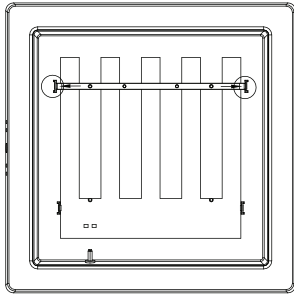
1. Power off the power, tap the center of the diffusion plate with a pointed tool, and remove the damaged plate.



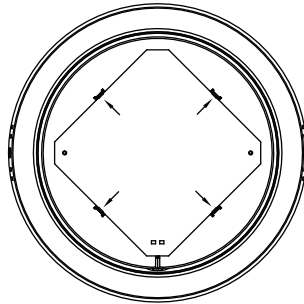
2. Disconnect the power wire from the plug terminal.



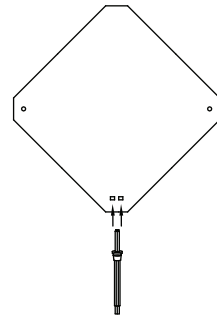
3. If there is no hot-melt column in the lamp body, or if it has not been fused, proceed without adjustment. If the hot-melt column has been fused to secure the aluminum substrate, cut the fused section at the hot-melt point using diagonal pliers.



4. Push the buckle outward to release and remove the aluminum substrate pressing strip from the bayonet. This step applies only to the 24W panel light; other models do not require it.



5. Push the buckle outward to release the aluminum substrate, then remove the light source board.



6. Insert a two-core cable (18–22 AWG) into the plug-in terminal, then connect the external power supply for testing.

Note: Light source removal will void the warranty.

V-TAC WEST EUROPE LTD. IN CASE OF ANY QUERY/ISSUE WITH THE PRODUCT, PLEASE REACH OUT TO US AT: SUPPORT@V-TAC.EU FOR MORE PRODUCTS RANGE, INQUIRY PLEASE CONTACT OUR DISTRIBUTOR OR NEAREST DEALERS. V-TAC WEST EUROPE LTD. GROUND FLOOR, 71 LOWER BAGGOT STREET, DUBLIN 02, IRELAND D02 P593

V-TAC UK LTD. IN CASE OF ANY QUERY/ISSUE WITH THE PRODUCT PLEASE REACH OUT TO US AT SUPPORT@VTACEXPORTS.COM V-TAC, 5A TUNGSTEN PARK, DOWNS ROAD, WITNEY, OXFORDSHIRE, OX29 0AX

