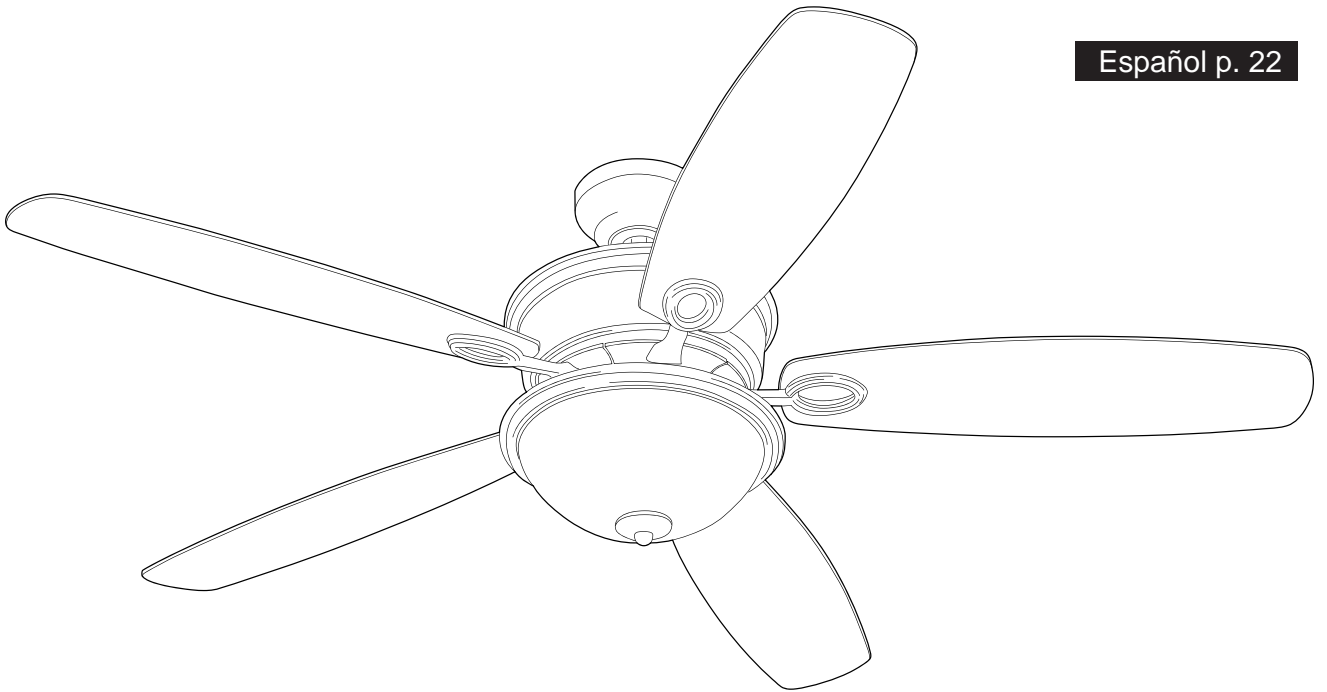


ITEM #0889801
#0889802
#0889803

BAYOU CREEK CEILING FAN

MODEL #CAF48BNK5LRC
#CAF48OSB5LRC
#CAF48LW5LRC

Español p. 22



ATTACH YOUR RECEIPT HERE

Purchase Date _____



Questions, problems, missing parts? Before returning to your retailer, call our customer service department at **1-800-527-1292**, 8:30 a.m. - 5 p.m., CST, Monday - Friday

TABLE OF CONTENTS

Safety Information	2
Package Contents	4
Hardware Contents	5
Preparation	5
Initial Installation	6
Wiring	11
Final Installation	13
Installing Fan Without Light Kit	16
Operating Instructions	17
Care and Maintenance	19
Troubleshooting.....	20
Warranty	21

SAFETY INFORMATION

READ AND SAVE THESE INSTRUCTIONS

- Do not discard fan carton or foam inserts. Should this fan need to be returned to the factory for repairs, it must be shipped in its original packaging to ensure proper protection against damage that might exceed the initial cause for return.
- Make sure all electrical connections comply with local codes, ordinances, the National Electrical Code and ANSI/NFPA 70-1999. Hire a qualified electrician or consult a do-it-yourself wiring handbook if you are unfamiliar with installing electrical wiring.
- Make sure the installation site you choose allows a minimum clearance of 7 ft. from the blades to the floor and at least 30 in. from the end of the blades to any obstruction.
- After you install the fan, make sure all connections are secure to prevent the fan from falling.
- The net weight of CAF48 including the light kit is: 16 lbs.

DANGER

When mounting fan to a ceiling outlet box, use a METAL octagonal outlet box; do NOT use a plastic outlet box. Make sure the outlet box is securely attached to the building structure and can support the full weight of the fan. The outlet box and its support must be able to support the moving weight of the fan (at least 35 lbs.). Failure to do this can result in serious injury or death. The stability of the outlet box is essential in minimizing wobble and noise in the fan after installation is complete.

WARNING



To reduce the risk of fire, electrical shock or personal injury, mount fan to outlet box marked "ACCEPTABLE FOR FAN SUPPORT OF 35 LBS. (15.9 KG) OR LESS" and use mounting screws provided with the outlet box. Most outlet boxes commonly used for the support of lighting fixtures are not acceptable for fan support and may need to be replaced. Consult a qualified electrician if in doubt.

To avoid personal injury, the use of gloves may be necessary while handling fan parts with sharp edges.

To reduce the risk of fire, electrical shock or personal injury, wire connectors provided with this fan are designed to accept only one 12-gauge house wire and two lead wires from the fan. If your house wire is larger than 12-gauge or there is more than one house wire to connect to the corresponding fan lead wires, consult an electrician for the proper size wire connectors to use.

To reduce the risk of fire or electrical shock, do not use the fan with any solid state speed control device or control fan speed with a full range dimmer switch.

To reduce the risk of fire, electrical shock or personal injury, do not bend the blade arms when installing them, balancing the blades or cleaning the fan. Do not insert objects between the rotating fan blades.

To reduce the risk of personal injury, use ONLY parts provided with this fan. The use of parts OTHER than those provided with this fan will void the warranty.

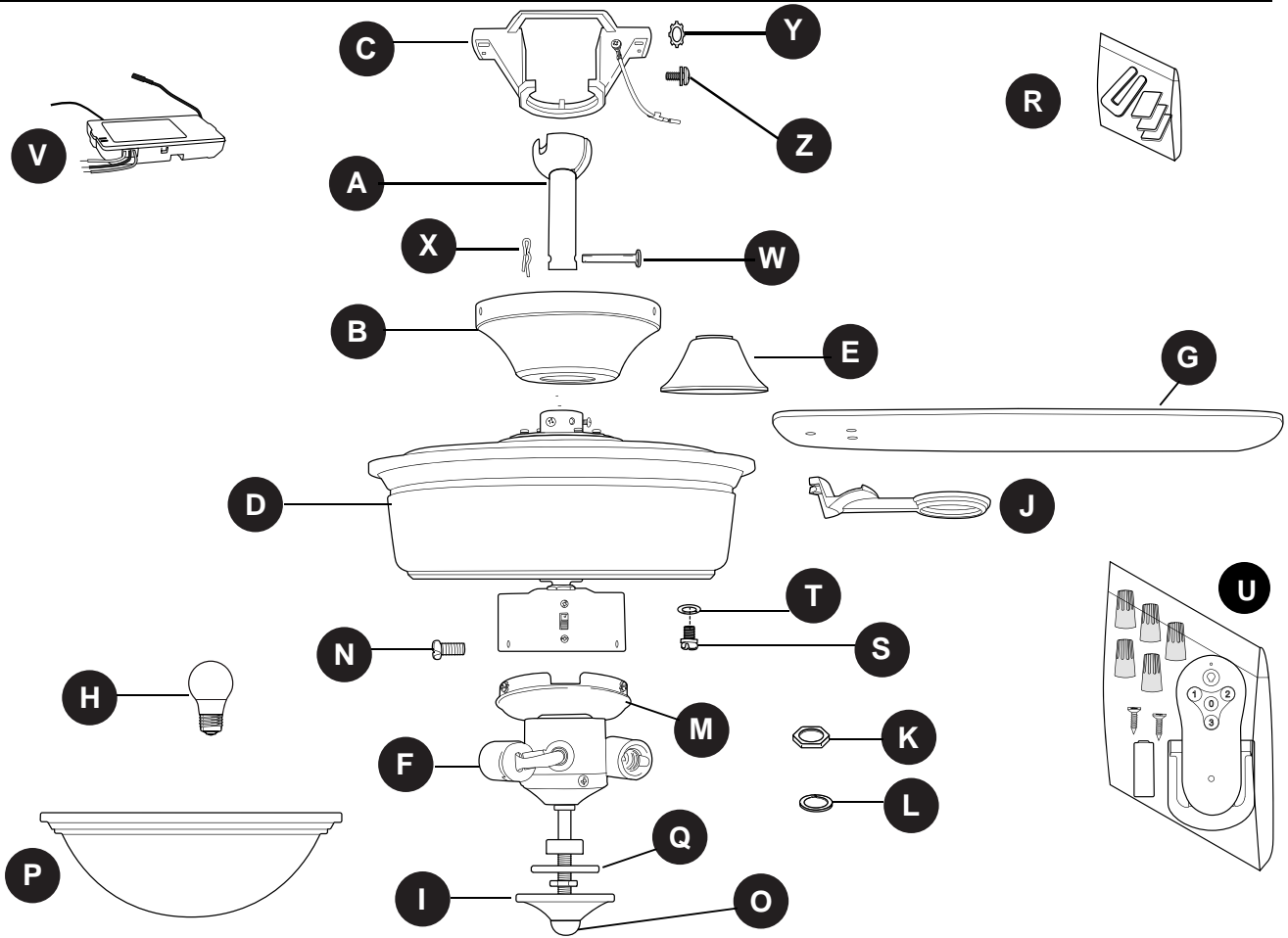
Before installation, be sure to shut off electricity at main switch or circuit breaker in order to avoid electrical shock.

CAUTION

Be sure outlet box is properly grounded and that a ground wire (green or bare) is present.

Before beginning installation, carefully check all screws, bolts and nuts on fan motor assembly to ensure they are secure.

PACKAGE CONTENTS



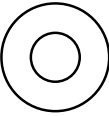
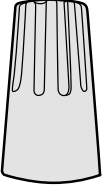


PART	DESCRIPTION	QUANTITY
A	Downrod	1
B	Canopy	1
C	Mounting Bracket (preassembled)	1
D	Motor Housing	1
E	Yoke Cover	1
F	Light Kit Fitter	1
G	Blade	5
H	Bulb	2
I	Finial Plate (preassembled)	1
J	Blade Arm	5
K	Hex Nut (preassembled)	2
L	Lock Washer (preassembled)	1
M	Switch Housing Cap (preassembled)	1

PART	DESCRIPTION	QUANTITY
N	Switch Housing Cap Screw (preassembled)	3
O	Finial (preassembled)	1
P	Glass Shade	1
Q	Rubber Washer (preassembled)	1
R	Balancing Kit	1
S	Motor Screw (preassembled)	10 + 1 extra
T	Washer (preassembled)	10 + 1 extra
U	Remote Pack	1
V	Remote Control Receiver	1
W	Pin (preassembled)	1
X	Clip (preassembled)	1
Y	Star Washer (preassembled)	4
Z	Canopy Mounting Screw (preassembled)	4

⚠ IMPORTANT: You must use the parts provided with this fan for proper installation and safety.

HARDWARE CONTENTS (shown actual size)

AA	BB	CC	DD
			
Cap	Blade Screw	Fiber Blade Washer	Wire Connector
Qty. 1	Qty. 15 + 1 extra	Qty. 15 + 1 extra	Qty. 4

PREPARATION

Before beginning assembly of product, make sure all parts are present. Place motor on carpet or on foam to avoid damage to finish. Compare parts with package contents list and hardware contents list. If any part is missing or damaged, do not attempt to install, operate or assemble the product.

Estimated Assembly Time: 120 minutes

Tools Required for Assembly (not included): Electrical Tape, Phillips Screwdriver, Pliers, Safety Glasses, Stepladder and Wire Strippers

Helpful Tools (not included): AC Tester Light, Tape Measure, Do-It-Yourself Wiring Handbook and Wire Cutters

INITIAL INSTALLATION

1. Turn off circuit breakers and wall switch to the fan supply line leads.

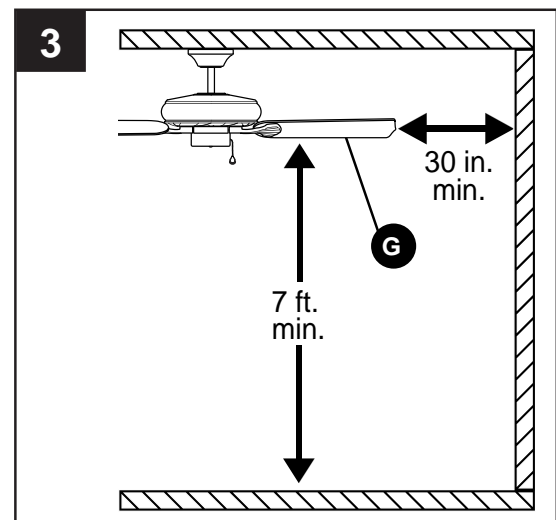
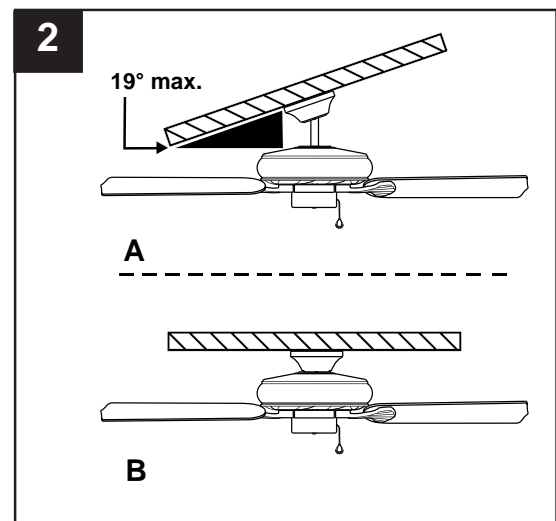
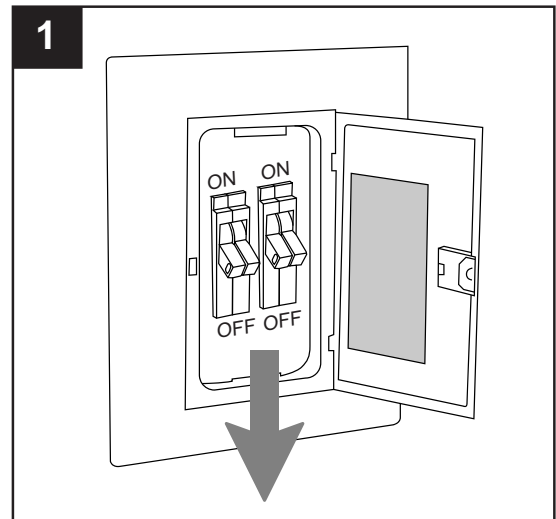
⚠ DANGER: Failure to disconnect power supply prior to installation may result in serious injury or death.

2. Determine mounting method to use.
 - A. Downrod mount (standard or angled ceiling)
 - B. Closemount (standard ceiling only)

IMPORTANT: If using the angle mount, check to make sure the ceiling angle is not steeper than 19°.

***Helpful Hint:** Downrod-style mounting is best suited for ceilings 8 ft. or higher. For taller ceilings you may want to use a longer downrod (not included). Angle-style mounting is best suited for angled or vaulted ceilings. A longer downrod is sometimes necessary to ensure proper blade clearance. Closemount-style mounting is more suitable for ceilings lower than 8 ft.

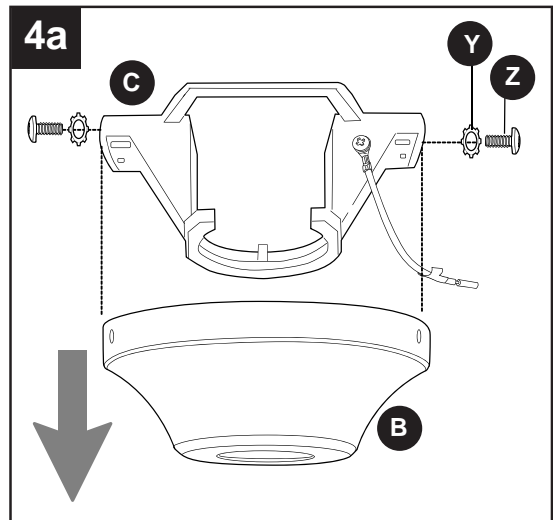
3. Check to make sure blades (G) will be at least 30 inches from any obstruction and at least 7 ft. above the floor.



INITIAL INSTALLATION

- 4a. Loosen canopy mounting screws (Z) in slotted holes of canopy (B) and remove the other two canopy mounting screws (Z) and star washers (Y). Save for later use.

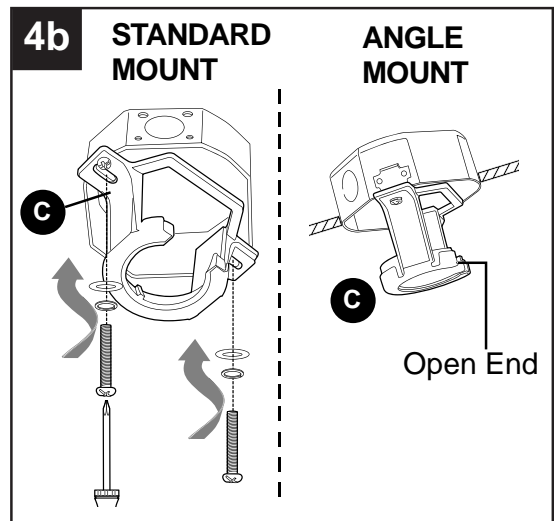
Remove mounting bracket (C) from canopy (B).



- 4b. Secure mounting bracket (C) to outlet box (not included) using screws, spring washers and flat washers provided with the outlet box.

NOTE: It is very important you use the proper hardware when installing the mounting bracket (C) as this will support the fan.

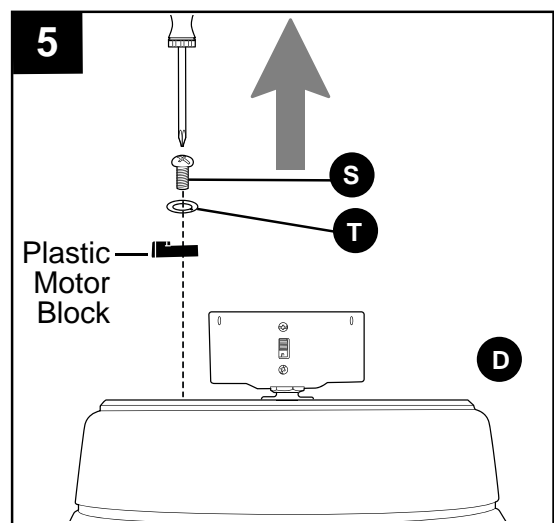
IMPORTANT: If using the angle mount, make sure open end of mounting bracket (C) is installed facing the higher point of the ceiling, and ensure the ceiling angle is not steeper than 19° .



5. Remove preassembled motor screws (S) and washers (T) from underside of motor housing (D). If there are plastic motor blocks installed with the motor screws (S), discard the plastic motor blocks.

Note: Make sure to keep loose hardware separate to avoid confusion during installation.

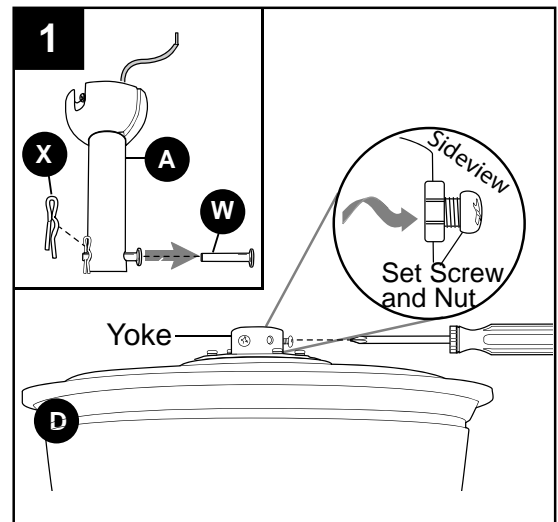
For **DOWNROD-STYLE FAN MOUNTING**, proceed to step 1 on the next page.
For **CLOSEMOUNT-STYLE FAN MOUNTING**, skip to page 10.



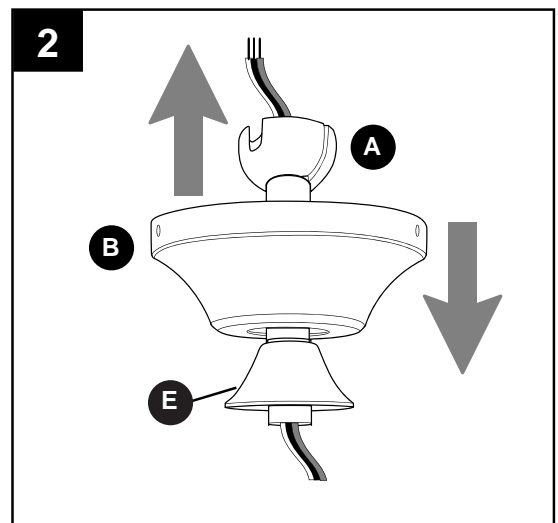
DOWNROD-STYLE FAN MOUNTING

1. Remove pin (W) and clip (X) from downrod (A).

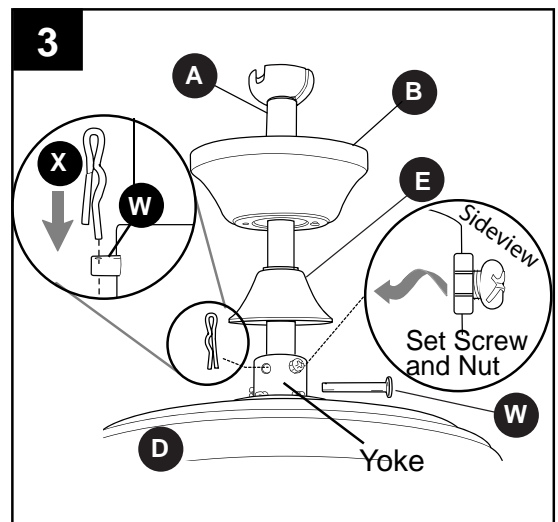
Partially loosen preassembled set screws and nuts in motor housing yoke at top of motor housing (D).



2. Insert downrod (A) through canopy (B) and yoke cover (E). Then, thread wires from motor housing (D) up through downrod (A).



3. Slip downrod (A) into yoke, align holes and re-install pin (W) and clip (X). Tighten set screws and then tighten nuts. Slide yoke cover (E) down until it rests on top of motor housing (D).

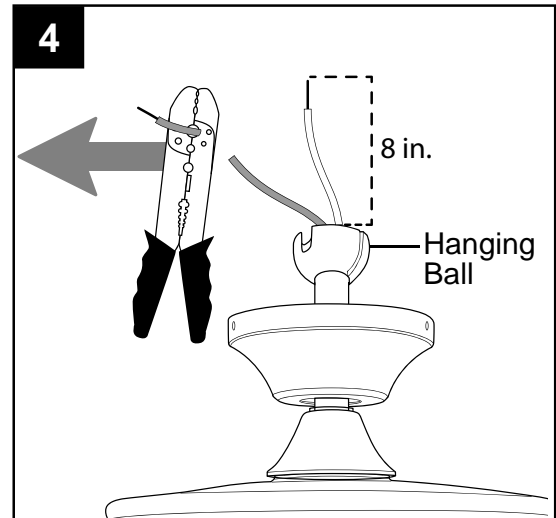


DOWNROD-STYLE FAN MOUNTING

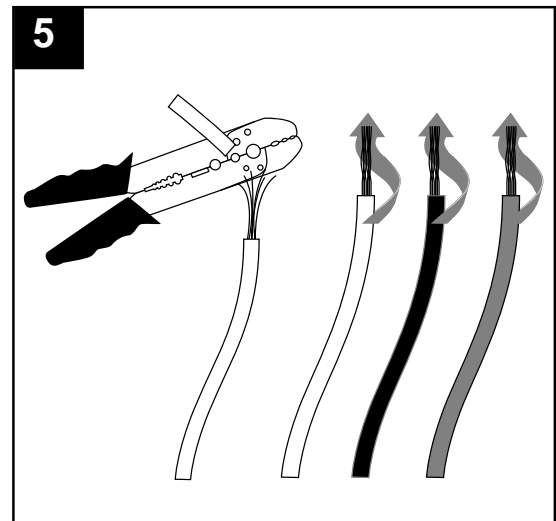
4. Depending on the length of downrod you use, you may need to cut the lead wires back to simplify the wiring. If you decide to cut back the lead wires, it is suggested you do so in the following manner:

Take the lead wires and make sure you have pulled them all the way through the top of the downrod. Start at the TOP of the hanging ball on the downrod and measure 8 in. of lead wire, and then cut the excess wire off with wire cutters (not included).

NOTE: If you do *not* cut back the lead wires, **Steps 4 and 5 are not necessary and you may proceed to Step 6 instead.**

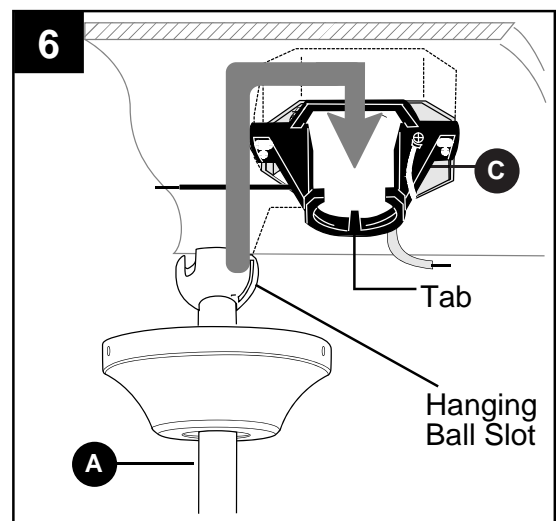


5. If you decided to cut back the lead wires in Step 4, strip 1/2 in. of insulation from end of each wire -- white, black, green and blue (if applicable). Twist stripped ends of each strand of wire within the insulation with pliers (not included).



6. Install hanging ball of downrod (A) into opening of mounting bracket (C). Align one of the slots in hanging ball with tab in mounting bracket (C).

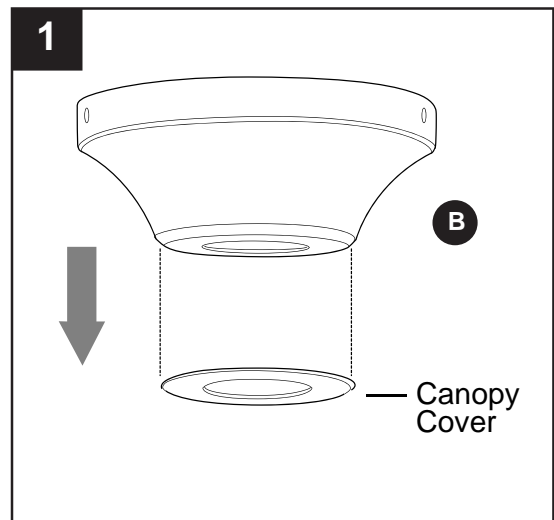
⚠ DANGER: Failure to align one of the slots in the ball with the tab may result in serious injury or death.



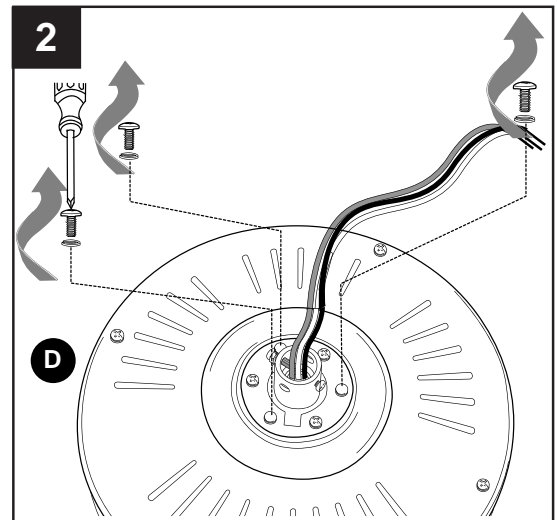
CLOSEMOUNT-STYLE FAN MOUNTING

1. Remove preassembled canopy cover from bottom of canopy (B). **NOTE:** It may be necessary to use the handle end of a screwdriver (not included) to remove the canopy cover by tapping on the canopy cover from the *inside* of the canopy (B).

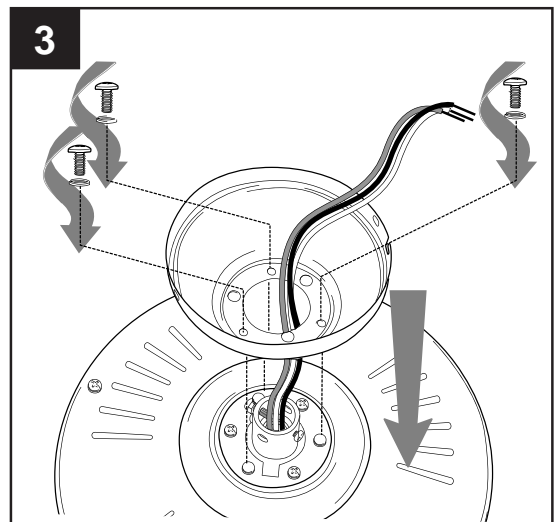
NOTE: The downrod (A), yoke cover (E) and canopy cover are not used in this type of installation.



2. Remove every other preassembled screw and lock washer from top of motor housing (D).

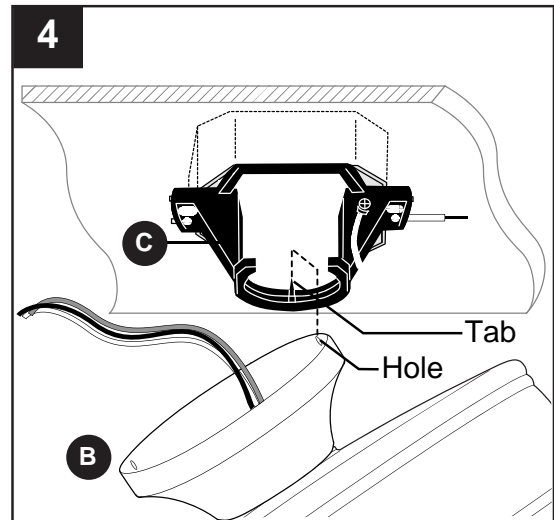


3. Pull wires up through hole in the middle of the canopy (B) and attach canopy (B) to motor housing (D) using three screws and lock washers previously removed.



CLOSEMOUNT-STYLE FAN MOUNTING

4. Temporarily hang fan on the tab on the mounting bracket (C) using one of the non-slotted holes in the canopy (B).



WIRING

⚠ WARNING: To reduce the risk of fire, electrical shock or personal injury, each wire connector provided with this fan is designed to accept only one 12-gauge house wire and one lead wire from the fan. If your house wire is larger than 12-gauge or there is more than one house wire to connect to the corresponding fixture lead wires, consult an electrician.

⚠ CAUTION: Be sure outlet box is properly grounded and that a ground (green or bare) wire is present.

⚠ WARNING: The wires from the outlet box must be connected to a corresponding color of the fan's wires. Be sure wire colors match before making connections. If house wires are different colors than referred to in the following steps, stop immediately. A professional electrician is recommended to determine wiring.

⚠ WARNING: Using a full range dimmer switch (not included) to control fan speed will cause a loud humming noise from fan. To reduce the risk of fire or electrical shock, do NOT use a full range dimmer switch to control fan speed.

WIRING

1. Make the necessary wiring connections for remote control operation as detailed below and in the figure. For each wire connection, use one of the wire connectors (DD), making sure to screw wire connector (DD) on in a clockwise direction.

CAUTION: Assistance from another person is recommended for this step.

Connect all GROUND (GREEN) wires from fan (on downrod (A), if applicable, and mounting bracket (C)) to BARE/GREEN supply wire from ceiling.

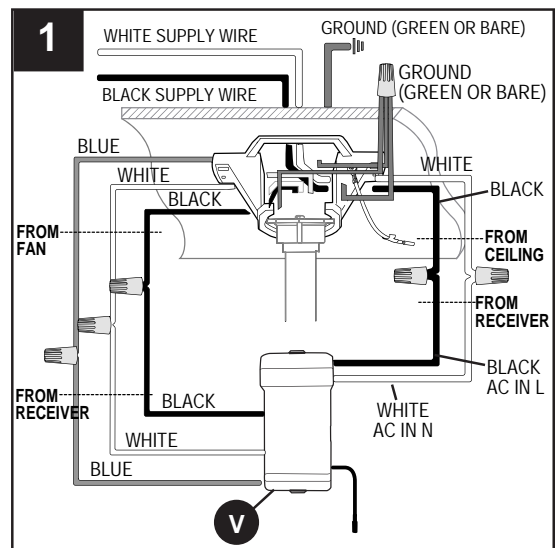
Connect BLACK wire (labeled AC IN L) from remote control receiver (H) to BLACK supply wire from ceiling.

Connect WHITE wire (labeled AC IN N) from remote control receiver (H) to WHITE supply wire from ceiling.

Connect WHITE wire (labeled TO MOTOR N) from remote control receiver (H) to WHITE wire from motor housing (D).

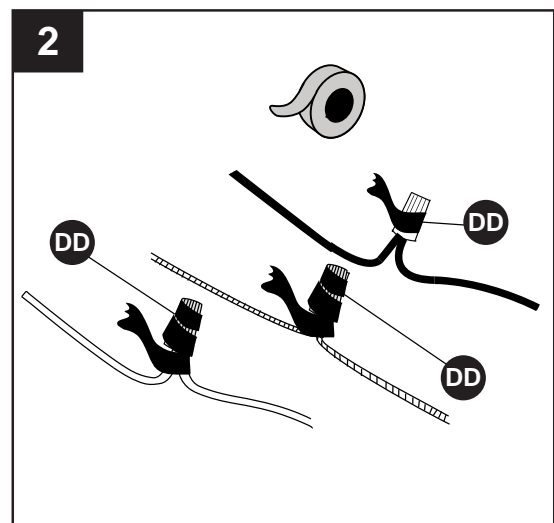
Connect BLACK wire (labeled TO MOTOR L) from remote control receiver (H) to BLACK wire from motor housing (D).

Connect BLUE wire (labeled FOR LIGHT) from remote control receiver (H) to BLUE wire from motor housing (D).

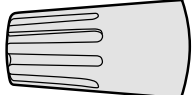


2. Wrap electrical tape (not included) around each individual wire connector (DD) down to the wire.

WARNING: Make sure no bare wire or wire strands are visible after making connections. Place GREEN and WHITE connections on opposite side of the outlet box from the BLACK and BLUE (if applicable) connections.



Hardware Used

DD Wire Connector  x 6

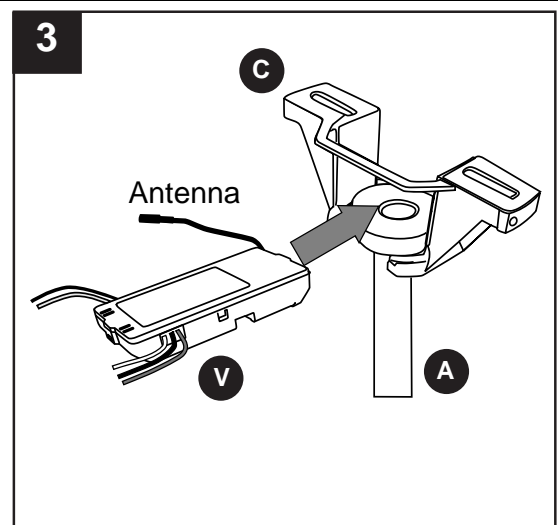
WIRING

- Gently slide remote control receiver (V) flat-side up into mounting bracket (C). Turn spliced/taped wires upward and gently push wires and wire connectors (DD) into outlet box. Let antenna from remote control receiver (V) hang to the side.

NOTE: The remote control included with this fan meets the following requirements:

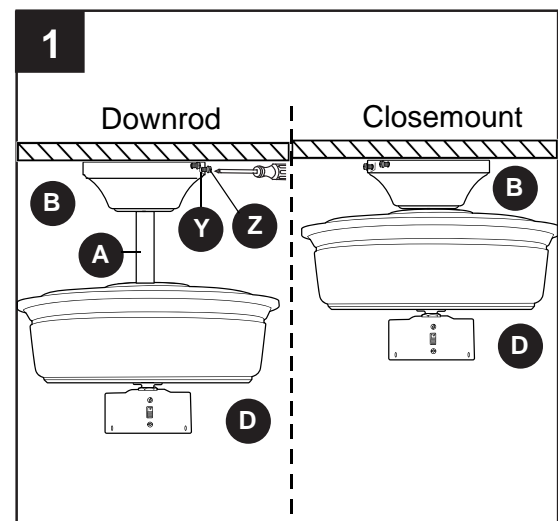
- Not for use with solid state fans.
- Electrical rating: 120V / 60 Hz;
motor amps: 1.25 MAX.;
light watts: 190
(Incandescent only)

Should you choose to use a different remote control with this fan, it must also meet these same requirements.



FINAL INSTALLATION

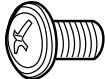
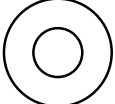
- Lift canopy (B) to mounting bracket (C) and align slotted holes in canopy (B) with loosened canopy mounting screws (Z) in mounting bracket (C). Twist canopy (B) to lock, then insert the two canopy mounting screws (Z) and star washers (Y) previously removed (Step 4a, page 7). Tighten all canopy mounting screws (Z) securely.

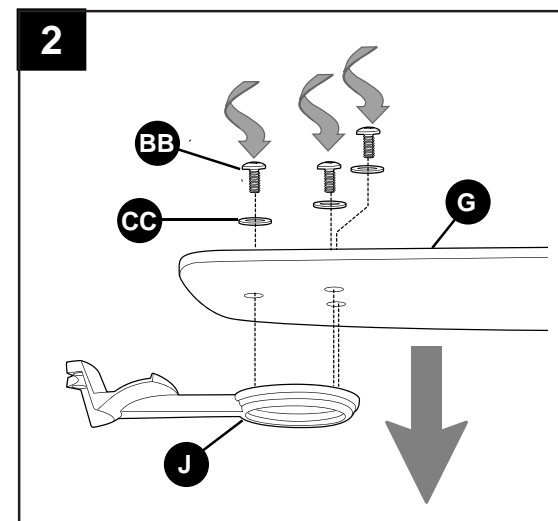


- Partially insert three blade screws (BB) along with three blade washers (CC) into holes in blade (G). Align pegs on blade arm (J) with blade screws (BB), securing blade arm (J) to blade (G) by tightening blade screws (BB) starting with the one in the middle.

Repeat for remaining blades (G) and blade arms (J).

Hardware Used

BB	Blade Screw		x 15
CC	Blade Washer		x 15



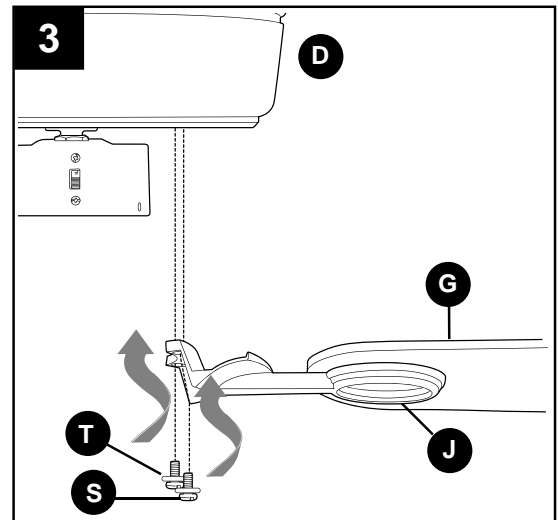
FINAL INSTALLATION

3. Attach blade arms (J) to the bottom of motor housing (D) with motor screws (S) and washers (T) previously removed (Step 5, page 7). Tighten motor screws (S) securely.

Note: Make sure to completely secure each blade arm (J) before proceeding to the next.

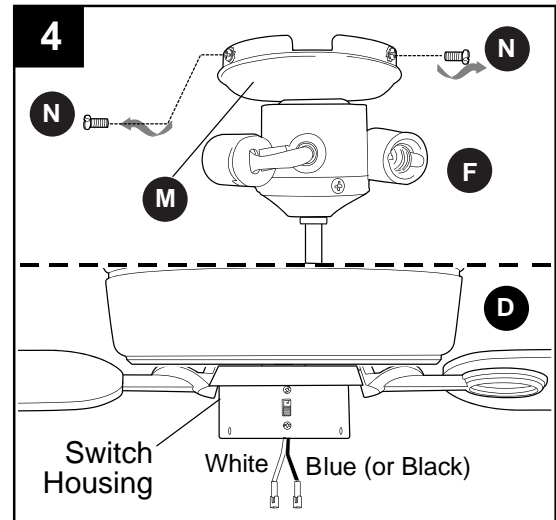
If you do NOT wish to use the light kit, skip to INSTALLING FAN WITHOUT LIGHT KIT on page 16.

If you DO wish to use the light kit, proceed to Step 4.



4. If you wish to use the fan with the light kit, remove the three preassembled switch housing cap screws (N) from switch housing cap (M) located at top of light kit fitter (F).

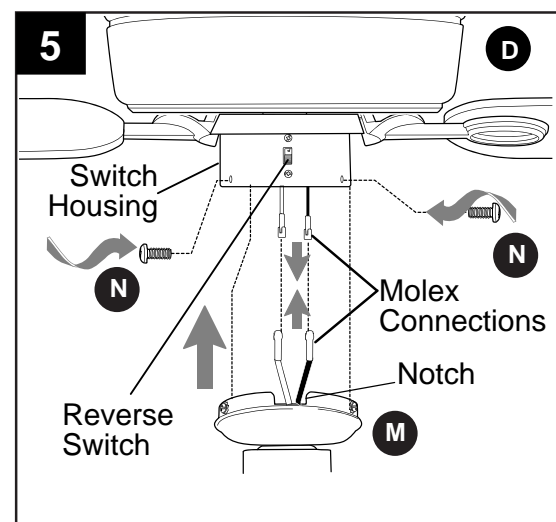
Locate the BLUE (or BLACK) and WHITE molex wires in the switch housing preassembled on motor housing (D) that are labeled FOR LIGHT and remove plastic from these two wires.



5. Connect WHITE molex wire from switch housing to WHITE molex wire from light kit fitter (F). Connect BLUE (or BLACK) molex wire from switch housing to BLACK molex wire from light kit fitter (F). Make sure molex connections are secure.

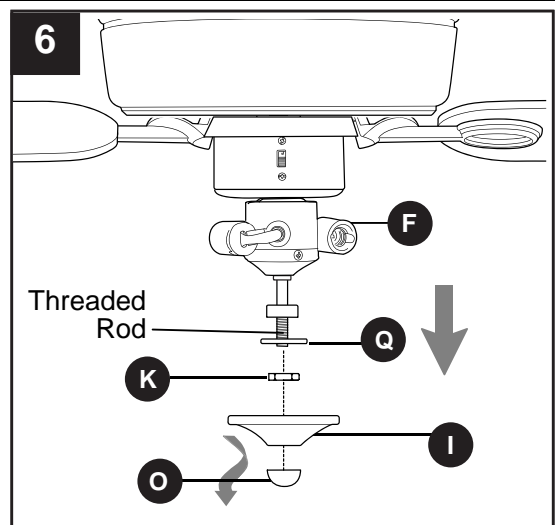
Then, align holes in switch housing cap (M) with holes in switch housing. **Note:** Make sure to align notch on top edge of the switch housing cap (M) with the reverse switch on switch housing for the correct fit.

Re-insert the switch housing screws (N) previously removed (Step 4 above), then tighten all switch housing cap screws (N) with a Phillips screwdriver (not included).



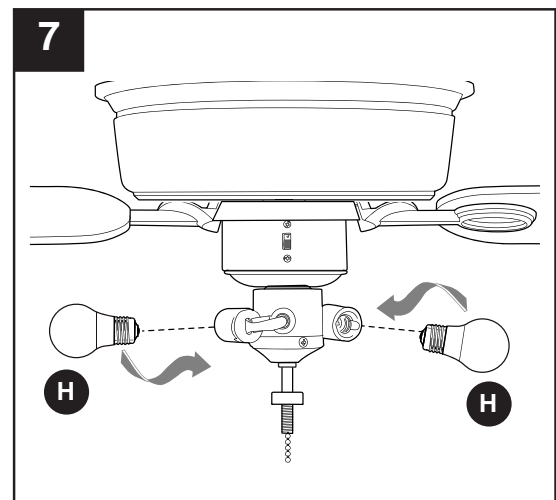
FINAL INSTALLATION

- Remove finial (O), finial plate (I), hex nut (K) and rubber washer (Q) from the threaded rod at the bottom of the light kit fitter (F). Save for later use.



- Install bulbs (H).

⚠ CAUTION: When replacing bulb(s), allow bulb(s) and glass shade to cool down before touching.

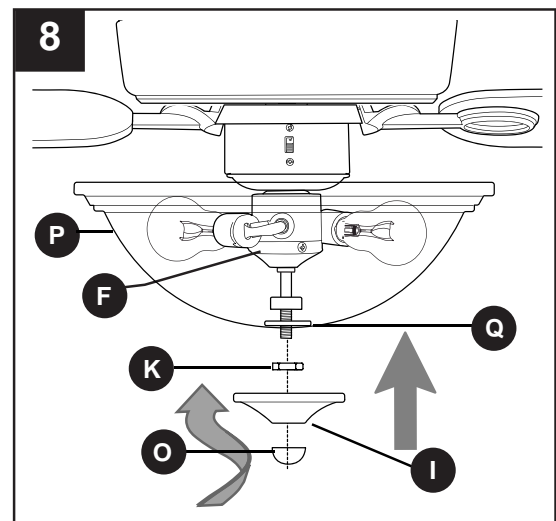


- Place rubber washer (Q) inside glass shade (P) over center hole. Align hole in center of glass shade (P) with threaded rod on light kit fitter (F). Push up gently on glass shade (P) until threaded rod comes through hole. Secure glass shade (P) with hex nut (K).

⚠ CAUTION: Do NOT overtighten hex nut (K) as glass may crack or break.

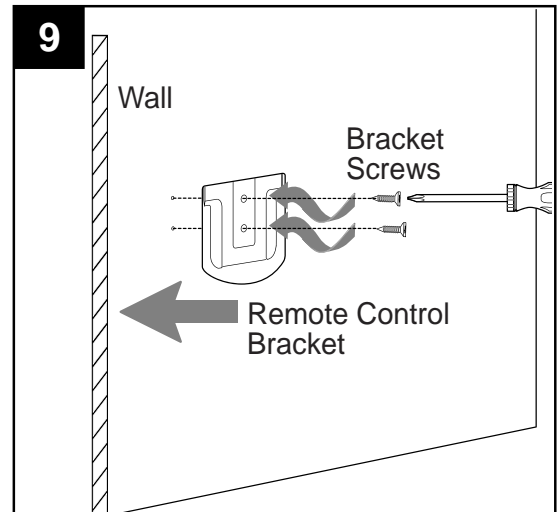
Then, align hole in center of finial plate (I) with threaded rod and push up. Secure with finial (O).

⚠ CAUTION: Do NOT overtighten finial (O) as glass may crack or break.



FINAL INSTALLATION

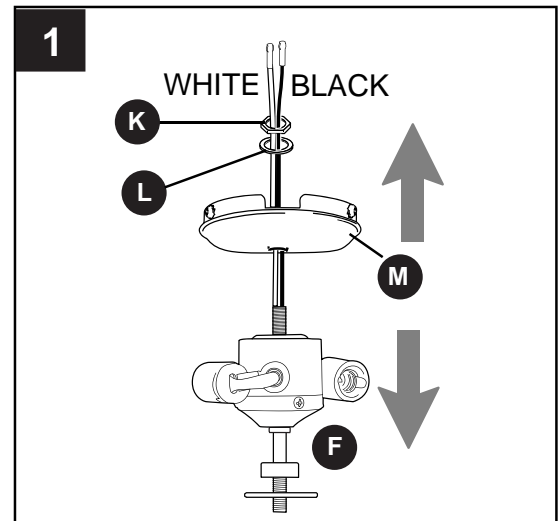
- If you wish to use the remote control bracket from remote pack (U), install screws from remote pack (U) through bracket and into the desired installation site. The remote control transmitter from remote pack (U) rests inside the bracket.



INSTALLING FAN WITHOUT LIGHT KIT

- If you wish to use the fan **WITHOUT** the light kit, remove the three preassembled switch housing cap screws (N) from switch housing cap (M) located at top of light kit fitter (F).

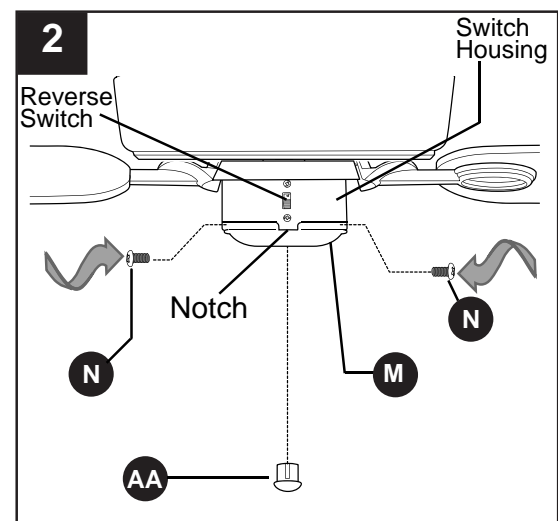
Remove the preassembled hex nut (K) and lock washer (L) from threaded rod at the top of light kit fitter (F). Unscrew switch housing cap (M) to remove it from the light kit fitter (F), and then gently feed the BLACK and WHITE wires from the light kit fitter (F) out through the hole in the middle of the switch housing cap (M).



- Place cap (AA) firmly in hole in middle of switch housing cap (M). Align holes in switch housing cap (M) with holes in switch housing, then attach switch housing cap (M) with previously removed switch housing cap screws (N). **Note:** Make sure to align notch on top edge of the switch housing cap (M) with the reverse switch on switch housing for the correct fit.

Hardware Used

AA	Cap		x 1
-----------	-----	---	-----



OPERATING INSTRUCTIONS

⚠ CAUTION: The remote control transmitter can be programmed to multiple receivers or fans. If this is not desired, turn wall switch off to any other programmable receiver or fan.

FCC Compliance Notice for Remote Control

Modifications not approved by the party responsible for compliance could void the user's authority to operate the equipment.

*NOTE: This equipment has been tested and found to comply with the limits for a Class B digital device, pursuant to Part 15 of the FCC Rules. These limits are designed to provide reasonable protection against harmful interference in a residential installation. This equipment generates, uses and can radiate radio frequency energy and, if not installed and used in accordance with the instructions, may cause harmful interference to radio communications. However, there is no guarantee that interference will not occur in a particular installation. If this equipment does cause harmful interference to radio or television reception, which can be determined by turning the equipment off and on, the user is encouraged to try to correct the interference by one or more of the following measures:

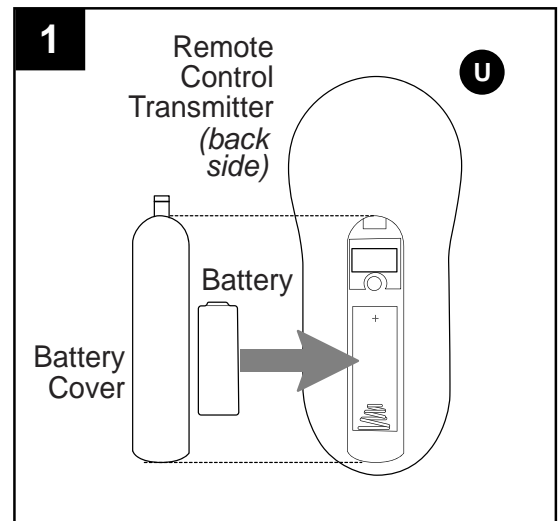
- * Reorient or relocate the receiving antenna.
- * Increase the separation between the equipment and receiver.
- * Connect the equipment into an outlet on a circuit different from that to which the receiver is connected.

Consult the dealer or an experienced radio/TV technician for help.

1. Remove battery cover from back of remote control transmitter in remote pack (U). Install battery from remote pack (U) with positive (+) end toward top of remote control transmitter.

Replace battery cover on remote control transmitter.

⚠ WARNING: Choking Hazard - Small parts.
Keep battery away from children.



⚠ CAUTION: "DO NOT DISPOSE OF BATTERIES IN FIRE, BATTERIES MAY EXPLODE OR LEAK." - When disposing of household alkaline batteries, it is best to check with your local and state recycling or household hazardous waste coordinators concerning the specifics of the program in your area. You may also locate a recycling center by calling 1-800-8-BATTERY or 1-877-2-RECYCLE or visit www.epa.gov/epawaste/index.htm or www.earth911.org for more information.

OPERATING INSTRUCTIONS

- Restore electrical power. Within 30 seconds of restoring electrical power, press and hold the "0" button on the remote control transmitter for 5 seconds or until light on the fan blinks twice. Use the remote control transmitter to test the light and fan functions to confirm the learning process is complete.

NOTE: Remove protective covering from front of remote control transmitter and discard.

IMPORTANT: To prevent damage to remote control transmitter, remove the battery if not used for long periods. Store the remote control transmitter away from excess heat or humidity.

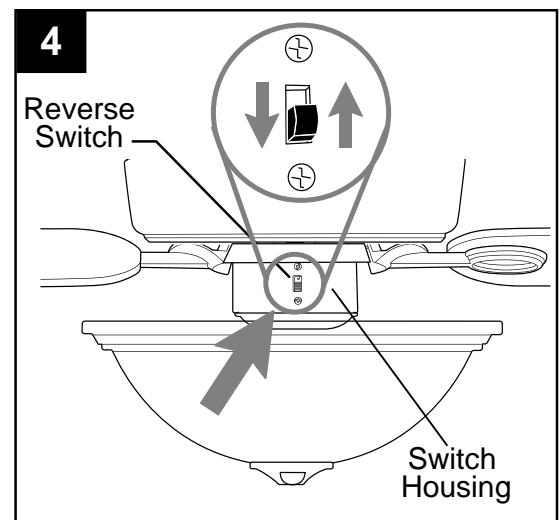
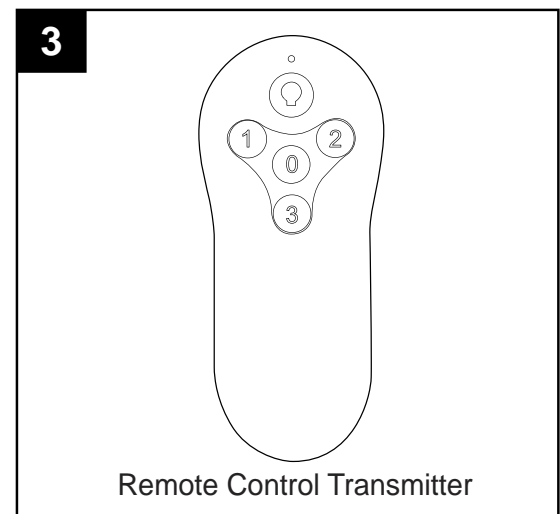
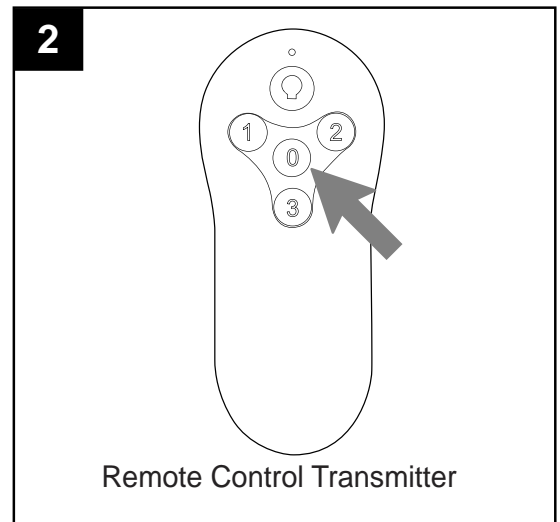
- Operation buttons on the panel of the remote control transmitter:

3 button	for <u>fan</u> HIGH speed
2 button	for <u>fan</u> MEDIUM speed
1 button	for <u>fan</u> LOW speed
0 button	to turn <u>fan</u> OFF
☉ button	to turn <u>light</u> ON or OFF

Tap ☉ button quickly to turn lights off or on. Hold ☉ button down to increase or decrease lights. If you press ☉ button in excess of 0.7 seconds, it becomes a dimmer. The lights vary cyclically in 8 seconds. The light button has an auto resume function, which keeps the light at the same brightness as the last time it was turned off.

- Use the fan reverse switch on the switch housing to optimize the fan for seasonal performance. A ceiling fan will allow you to raise your thermostat setting in summer and lower your thermostat setting in winter without feeling a difference in your comfort.

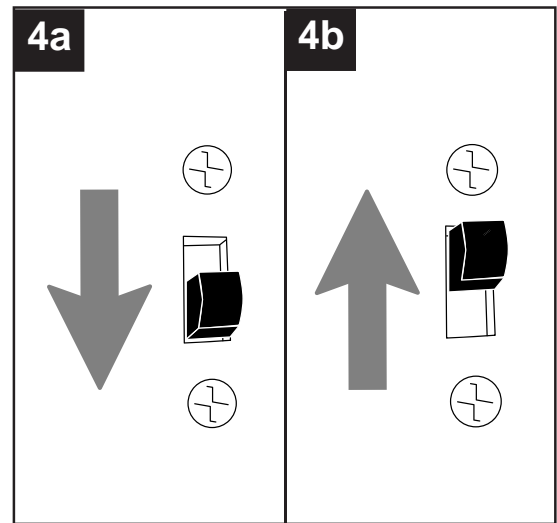
CAUTION: Turn fan off at wall switch and let blades (G) come to a complete stop before manually activating the reverse switch.



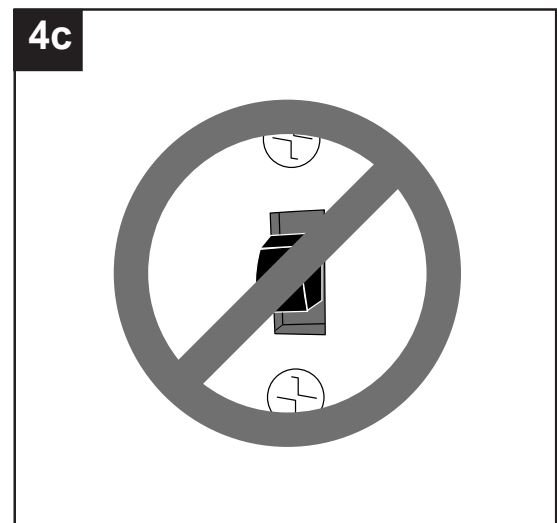
OPERATING INSTRUCTIONS

4a. In **warmer** weather, setting the reverse switch in the DOWN position will result in downward airflow creating a wind chill effect.

4b. In **cooler** weather, setting the reverse switch in the UP position will result in upward airflow that can help move stagnant, hot air off the ceiling area.



4c. **IMPORTANT:** Reverse switch must be set either **completely UP** or **completely DOWN** for fan to function. If the reverse switch is set in the **middle** position, fan will not operate.



CARE AND MAINTENANCE

At least twice each year, lower canopy (B) to check downrod (A) assembly, and then tighten all screws on fan. Clean motor housing (D) with only a soft brush or lint-free cloth to avoid scratching the finish. Clean blades (G) with a lint-free cloth. You may occasionally apply a light coat of furniture polish to wood blades for added protection.

IMPORTANT: Shut off main power supply before beginning any maintenance. Do not use water or a damp cloth to clean the ceiling fan.

Bulb Replacement: Use standard-base 6.5-watt LED bulbs or incandescent/CFL equivalent, up to 60 watts.

Battery Replacement: Use 12-volt alkaline battery.

TROUBLESHOOTING

⚠ WARNING: Before beginning work, shut off the power supply to avoid electrical shock.

PROBLEM	POSSIBLE CAUSE	CORRECTIVE ACTION
Fan does not move.	<ol style="list-style-type: none"> Reverse switch not engaged. Power is off or fuse is blown. Faulty wire connection. Learning code process between fan and remote control transmitter may not have been successful and learning code was not activated. 	<ol style="list-style-type: none"> Push switch firmly either up or down. Turn power on or check fuse. Turn power off. Loosen motor housing and check all connections. Turn off power and repeat instructions in Step 2 on page 18.
Noisy operation.	<ol style="list-style-type: none"> Blades are loose. Cracked blade. Full range dimmer switch. Fan is new. Motor housing is loose. 	<ol style="list-style-type: none"> Tighten all blade screws. Replace blade. Replace with an approved speed control device. Allow fan a "break in" period of a few days, especially when running the fan at Medium and High speeds. Verify mounting bracket is secure according to instructions on page 7.
Excessive wobbling.	<ol style="list-style-type: none"> Blades are loose. Blade arms incorrectly attached. Unbalanced blades. Fan not securely mounted. 	<ol style="list-style-type: none"> Tighten all blade screws. Re-install blade arms. Switch one blade with a blade from the opposite side or use balancing kit (R). Verify mounting bracket is secure.
Fan operates but light fails.	<ol style="list-style-type: none"> Bulb(s) not installed correctly. Wires in outlet box not wired properly. Wall switch to light is off. Wires in light kit fitter not wired correctly. 	<ol style="list-style-type: none"> Re-install bulb(s). Check wires in outlet box and, if necessary, re-wire according to instructions on page 11. Make sure wall switch to light is on. Check mox connections in light kit fitter and ensure they are connected properly according to instructions on page 14.

NOTE: A small amount of "wobble" is normal and should not be considered a defect.

LIMITED LIFETIME WARRANTY

The distributor warrants this fan to be free from defects in workmanship and materials present at time of shipment from the factory for Lifetime limited from the date of purchase. This warranty applies only to the original purchaser. The distributor agrees to correct any defect at no charge or, at our option, replace the ceiling fan with a comparable or superior model.

To obtain warranty service, present a copy of your sales receipt as proof of purchase. All cost of removal and reinstallation are the express responsibility of the purchaser. Any damage to the ceiling fan by accident, misuse or improper installation, or by using parts not produced by the manufacturer of this fan or affixing accessories not produced by the manufacturer of this fan, are the purchaser's own responsibility. The distributor assumes no responsibility whatsoever for fan installation during the limited lifetime warranty. Any service performed by an unauthorized person will render the warranty invalid.

Due to varying climatic conditions, this warranty does not cover changes in brass finish, rusting, pitting, tarnishing, corroding or peeling. Brass finish fans maintain their beauty when protected from varying weather conditions. Any glass provided with this fan is not covered by the warranty.

Any replacement of defective parts for the ceiling fan must be reported within the first year from the date of purchase. For the balance of the warranty, call our customer service department (at **1-800-527-1292**) for return authorization and shipping instructions so that we may repair or replace the ceiling fan. Any fan or parts returned improperly packaged is/are the sole responsibility of the purchaser. There is no further express warranty. The distributor disclaims any and all implied warranties. The duration of any implied warranty which cannot be disclaimed is limited to the limited lifetime period as specified in our warranty. The distributor shall not be liable for incidental, consequential or special damages arising at or in connection with product use or performance except as may otherwise be accorded by law. This warranty gives you specific legal rights and you may also have other rights which vary from state to state. This warranty supersedes all prior warranties.