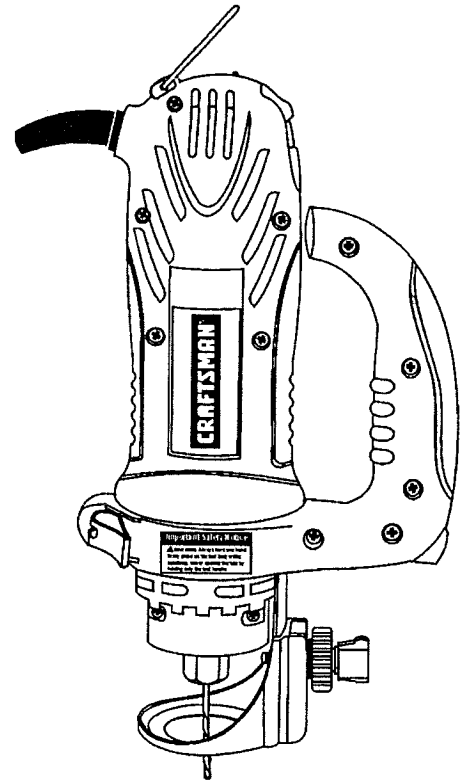


Owner's Manual

CRAFTSMAN®

**ALL-IN-ONE
CUTTING TOOL**

**Model No.
183.172521**



Important Safety Notice

⚠ WARNING

Always have one hand firmly placed on the tool body while operating. Never operate the tool by holding only the tool handle.

CAUTION:
Before using this Cutting Tool, read this manual and follow all its Safety Rules and Operating Instructions.

- Safety Instructions
- Accessories
- Assembly
- Operation
- Maintenance
- Parts List
- Espanol

Sears, Roebuck and Co., Hoffman Estates, IL 60179 USA
Part. No. 183172520003 Rev. 3 06/27/02

TABLE OF CONTENTS

SECTION	PAGE	SECTION	PAGE
Warranty	2	Carton Contents	6, 7
Product Specifications	2	Know Your Cutting Tool	8
Power Tool Safety	3	Assembly & Operation	9 – 18
Cutting Tool Safety	4	Maintenance	18
Electrical Requirements & Safety	5	Repair Parts	19 – 25
Accessories	6	Parts & Service Availability	26

WARRANTY

FULL ONE YEAR WARRANTY

If this Cutting Tool fails due to a defect in material or workmanship within one year of date of purchase, Sears will at its option repair or replace it free of charge.

Return this Cutting Tool to a Sears Service Center for repair, or to place of purchase for replacement.

This warranty gives you specific legal rights, and you may also have other rights which may vary from state to state.

Sears, Roebuck and Co., Dept. 817 WA, Hoffman Estates, IL 60179

WARNING

Some dust created by power sanding, sawing, grinding, drilling and other construction activities contains chemicals known (to the State of California) to cause cancer, birth defects or other reproductive harm. Some examples of these chemicals are:

- Lead from lead-based paints
- Crystalline silica from bricks, cement and other masonry products
- Arsenic and chromium from chemically treated lumber

Your risk from these exposures varies, depending on how often you do this type of work. To reduce your exposure to these chemicals, work in a well ventilated area and work with approved safety equipment such as those dust masks that are specially designed to filter out microscopic particles.

PRODUCT SPECIFICATIONS

Motor Rating	120V, 60Hz, AC	Motor Horsepower	$\frac{3}{4}$ HP (Maximum Developed)
Amperes	5.0 Amperes	Weight	1.7 kg
2 Speeds (no load)	20000 & 30000 RPM		

WARNING

To avoid electrical hazards, fire hazards or damage to the cutting tool, use proper circuit protection.

This cutting tool is wired at the factory for 110-120 Volt operation. It must be connected to a 110-120 Volt / 15 Ampere time delay fuse or circuit breaker. To avoid shock or fire, replace power cord immediately if it is worn, or damaged in any way.


Before using your cutting tool, it is critical that you read and understand these safety rules. Failure to follow the rules could result in serious injury to you or damage to the cutting tool.

POWER TOOL SAFETY

WARNING

Before using your cutting tool, it is critical that you read and understand these safety rules. Failure to follow these rules could result in serious injury to you or damage to the cutting tool.

Good safety practices are a combination of common sense, staying alert and understanding how to use your power tool. To avoid mistakes that could cause serious injury, do not plug in your cutting tool until you have read and understood the following safety rules:

1. **READ** and become familiar with this entire Owner's Manual. **LEARN** the tool's applications, limitations and possible hazards.
2.  **WARNING**
Look for this symbol that identifies important safety precautions. It means **CAUTION! BECOME ALERT! YOUR SAFETY IS INVOLVED!**
3. **KEEP GUARDS IN PLACE** and in working order.
4. **DO NOT USE IN A DANGEROUS ENVIRONMENT** such as damp or wet locations or exposure to rain. Keep work area well lighted.
5. **DO NOT** use power tools in the presence of flammable liquids or gases.
6. **KEEP WORK AREA CLEAN.** Cluttered areas and workbenches invite accidents.
7. **KEEP CHILDREN AWAY.** All visitors should be kept at a safe distance from the work area.
8. **DO NOT FORCE THE TOOL.** It will do the job better and safer at the rate for which it was designed.
9. **USE THE RIGHT TOOL.** Do not force the tool or attachment to do a job for which it is not designed.
10. **WEAR PROPER APPAREL.** **DO NOT** wear loose clothing, gloves, neckties, rings, bracelets or other jewelry that may get caught in moving parts. Non-slip footwear is recommended. Wear protective hair covering to contain long hair.
11. **WEAR A FACE MASK OR DUST MASK.** Sawing, cutting, drilling and sanding operations produce hazardous dust.
12. **DISCONNECT TOOLS FROM THE POWER SOURCE** before servicing and when changing accessories such as blades, bits, cutters, etc.
13. **REDUCE THE RISK OF UNINTENTIONAL STARTING.** Make sure the switch is in the "OFF" position before plugging into the power source.
14. **USE ONLY RECOMMENDED ACCESSORIES.** Consult the Owner's Manual for recommended accessories. The use of improper accessories may cause injury to you or damage to the tool.

15. **REMOVE ADJUSTING KEYS AND WRENCHES.** Form the habit of checking to see that keys and adjusting wrenches are removed from the tool before turning "ON".
16. **NEVER LEAVE TOOL RUNNING UNATTENDED. TURN THE POWER "OFF".** Do not leave the tool before it comes to a complete stop.
17. **NEVER STAND ON TOOL.** Serious injury could occur if the tool is tipped or if the cutting tool is unintentionally contacted.
18. **DO NOT OVER REACH.** Keep proper footing and balance at all times.
19. **MAINTAIN TOOLS WITH CARE.** Keep tools sharp and clean for most efficient and safest performance. Follow instructions for lubricating and changing accessories.
20. **CHECK FOR DAMAGED PARTS.** Before further use of the tool, a guard or other part that is damaged should be carefully checked to ensure it will operate properly and perform its intended function. Check for alignment of moving parts, binding of moving parts, mounting and any other conditions that may affect its safe operation. A guard or other part that is damaged should be properly repaired or replaced.
21. **MAKE WORKSHOP CHILD PROOF** with padlocks, master switches or by removing starter keys.
22. **DO NOT** operate the tool if you are under the influence of any drugs, alcohol or medication that could impair your ability to use the tool safely.
23. **USE DUST COLLECTION SYSTEM** wherever possible. Dust generated from certain materials can be hazardous to your health and in some cases, a fire hazard. Always operate the power tool in a well ventilated area with adequate dust removal.
24. **ALWAYS WEAR EYE PROTECTION.** Any power tool can throw foreign objects into your eyes which could cause permanent eye damage. **ALWAYS** wear safety goggles (not glasses) that comply with ANSI safety standard Z87.1. Everyday glasses have only impact resistant lenses. They **ARE NOT** safety glasses. Safety goggles are available at Sears.



WARNING

Glasses or goggles not in compliance with ANSI Z87.1 could cause serious injury when they break.

SAVE THESE INSTRUCTIONS FOR REFERENCE

CUTTING TOOL SAFETY

WARNING

For your safety, do not plug in your cutting tool or try to use any accessory until it is completely assembled and installed according to these instructions, and until you have read and understood this Owner's Manual.

Failure to follow these safety rules will result in risk of serious injury.

- WEAR EYE PROTECTION.** This high speed tool will throw particles from the workpiece during operation. Make sure safety glasses have side shields.
- USE FACE OR DUST MASK** along with safety goggles if cutting or routing operation is dusty. Make sure work area is well ventilated.
- USE HEARING PROTECTION,** particularly during extended periods of operation.
- NEVER USE DULL OR DAMAGED BITS.** Damaged bits can break without warning. Dull bits may overload the motor, cut slowly and are difficult to control. They will also overheat and possibly break.
- ALWAYS MAKE SURE THE WORKPIECE IS FREE OF NAILS AND OTHER FOREIGN OBJECTS.** If the bit strikes a nail it will jump sideways and possibly break.
- DO NOT USE THIS TOOL FOR DRILLING HOLES.** It is NOT intended to be used as a drill.
- ALLOW CLEARANCE UNDER WORKPIECE** for bit to travel. Never place workpiece on hard surfaces such as concrete etc. The bit may jump or break when contacting a surface other than the one being cut.
- ALWAYS SET THE DEPTH GUIDE TO THE APPROPRIATE DEPTH.** Use tool with the depth guide flat against the work surface for better control of the tool.
- NEVER USE THE TOOL WITHOUT THE SOLE PLATE, PRECISION HANDLE OR ROUTER BASE** attached and appropriately adjusted.
- ALWAYS CLAMP WORKPIECE TO HOLD IT STEADY WHEN CUTTING.** This will free both hands for operating the tool.
- NEVER HOLD THE WORKPIECE IN ONE HAND** while operating the tool with the other hand.
- NEVER PLACE HANDS IN THE PATH OF THE CUTTER AND UNDER THE WORKPIECE.**
- NEVER START THE TOOL WHEN THE BIT IS TOUCHING THE WORKPIECE.** The bit may catch the workpiece causing loss of control.
- ALWAYS HOLD THE TOOL WITH TWO HANDS DURING START-UP AND OPERATION.** When starting, motor torque will cause the tool to twist.
- TURN OFF ALL CIRCUIT BREAKERS AND REMOVE ALL FUSES** in the work area when cutting into walls or blind areas.
- ALWAYS HOLD THE TOOL BY THE INSULATED GRIPPING SURFACES ON THE BODY OF THE TOOL** where there is any possibility of the cutting bit contacting hidden electrical wires or the cord of the tool. Contact with "live" wires will make exposed metal parts of the tool "live" causing an electrical shock to the operator.
- WHEN CUTTING DRYWALL ELECTRICAL OUTLET OPENINGS** using the outlet as a guide, always cut in a counter clockwise direction. The natural tendency of the tool to pull to the left will cause a "hugging" action toward the outlet box, resulting in a neater cut.
- NEVER LAY THE TOOL DOWN UNTIL THE CUTTING BIT COMES TO A COMPLETE STOP.** A spinning bit can come in contact with the surface and pull it out of your control.
- NEVER TOUCH THE CUTTING BIT IMMEDIATELY AFTER USE.** The bit will be too hot to be handled with bare hands and will burn your fingers.
- ALWAYS RE-TIGHTEN COLLET AND ALL ADJUSTMENTS** before starting the tool after a cutting bit or accessory has been changed. Loose bits and adjustments can cause unexpected shifting of the tool resulting in loss of control and injury from the bit or cutting tool being thrown.

SAVE THESE INSTRUCTIONS FOR REFERENCE

ELECTRICAL REQUIREMENTS & SAFETY

DOUBLE INSULATION

This cutting tool is double insulated to protect you from electrical shock.

WARNING

Double insulated tools are equipped with a polarized plug (one blade is wider than the other). This plug will fit into a polarized outlet only one way. If the plug does not fit fully into the outlet, reverse the plug. If it still does not fit, contact a qualified electrician to install a polarized outlet. Do not alter the plug in any way. Double insulation eliminates the need for the three wire grounded power cord and grounded power supply system.

Avoid body contact with grounded surfaces such as pipes, radiators, ranges and refrigerators. There is an increased risk of electric shock if your body is grounded.

Do not expose power tools to rain or wet conditions. Water entering a power tool will increase the risk of electric shock.

Do not abuse the cord. Never use the cord to carry the tool or pull the plug from the outlet. Keep cord away from heat, oil, sharp edges and moving parts. Replace damaged cords immediately. Damaged cords increase the risk of electric shock.

When operating a power tool outdoors, use an outdoor extension cord marked "W-A" or "W". These cords are rated for outdoor use and reduce the risk of electric shock.

WARNING

Always make sure the receptacle is polarized. If you are not sure, have a qualified electrician check the receptacle.

GUIDELINES FOR EXTENSION CORDS

Make sure your extension cord is in good condition. When using an extension cord, be sure to use one heavy enough to carry the current the tool will draw. An undersized cord will cause a drop in line voltage resulting in loss of power and overheating. The table below shows the correct size to use according to cord length and nameplate ampere rating. If in doubt, use the next heavier gauge. The smaller the gauge number the heavier the cord.

Be sure your extension cord is properly wired and in good condition. Always replace a damaged extension cord or have it repaired by a qualified electrician before using it. Protect your extension cord from sharp objects, excessive heat and damp or wet areas.

Use a separate electrical circuit for your power tools. This circuit must not be less than 14 gauge wire and should be protected with either a 15 Ampere time delay fuse or circuit breaker. Before connecting the power tool to the power source, make sure the switch is in the OFF position and the power source is the same as indicated on the nameplate. Running at lower voltage will damage the motor.

WARNING

Repair or replace damaged or worn extension cords immediately.

Select the appropriate extension cord gauge and length using the chart below.

MINIMUM GAUGE (AWG) EXTENSION CORDS (120 Volt use only)					
Ampere Rating		Total length in feet			
More Than	Not More Than	25'	50'	100'	150'
0	6	18	16	16	14
6	10	18	16	14	12
10	12	16	16	14	12
12	16	14	12	Not Applicable	

WARNING

Keep the extension cord clear of the working area. Position the cord so it will not get caught on the workpiece, tools or any other obstructions while you are working with the power tool.

ACCESSORIES

AVAILABLE ACCESSORIES

▲ WARNING

Use only accessories recommended for this cutting tool. Follow instructions that accompany accessories. Use of improper accessories may cause injury to the operator or damage to the cutting tool.

Visit your **Sears Hardware Department** or see the **Sears Power and Hand Tool Catalog** for an assortment of accessories recommended for use with this cutting tool:

- Flex Drive
- Rip Guide
- 1/8" Cutting Bits
- 1/8" Hobby Rotary Tool Accessories
 - Cutters
 - Polishers
 - Sanders
 - Grinders
- Most 1/4" Shank Router Bits

▲ WARNING

Use only accessories designed for this cutting tool to avoid severe injury or tool damage.

Do not use any accessory unless you have completely read the instructions or Owner's Manual for that accessory.

CARTON CONTENTS

UNPACKING AND CHECKING CARTON CONTENTS

▲ WARNING

If any part is missing or damaged, do not plug the cutting tool into the power source until the missing damaged part is replaced and assembly is complete.

Carefully unpack the cutting tool and all its components. Compare against the "Cutting Tool Components" chart below.

NOTE: See Page 7 for illustration of components.

▲ WARNING

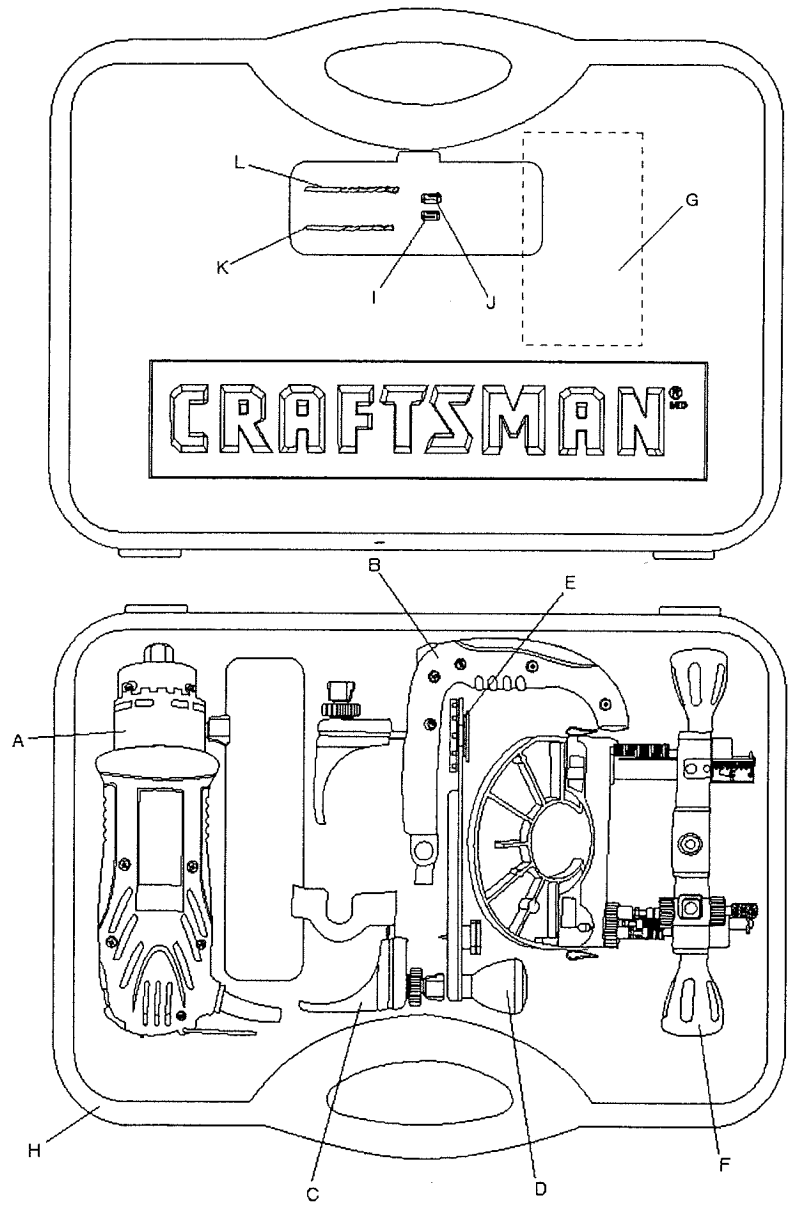
To avoid fire or toxic reaction, never use gasoline, naphtha, acetone, lacquer thinner or similar highly volatile solvents to clean the cutting tool.

CUTTING TOOL COMPONENTS		
KEY	DESCRIPTION	QT
Inside Carrying Case		
A	Cutting Tool	1
B	Precision Handle with Sole Plate	1
C	Freehand Sole Plate Attachment	1
D	Circle Cutter Attachment	1
E	Circle Cutter Installation Adapter	1
F	Plunge Router Base Attachment	1
G	Owner's Manual	1
H	Carrying Case	1
M	Collet Wrench	1
N	Collet Wrench Holder	1
Front Lid Storage Compartment		
I	1/8" Collet Sleeve	1
J	1/4" Collet Sleeve	1
K	Lateral Style Drywall Cutter	1
L	Wood / Plastic / Fiberglass Cutter	1

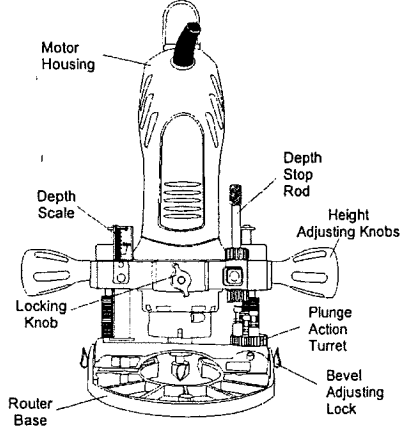
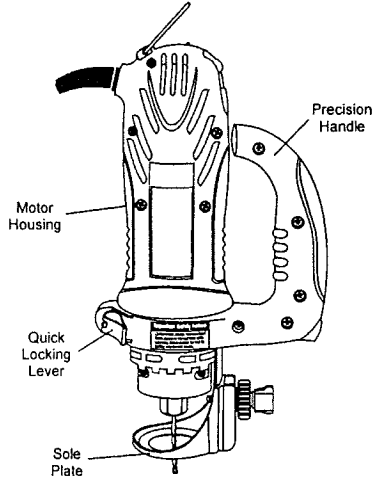
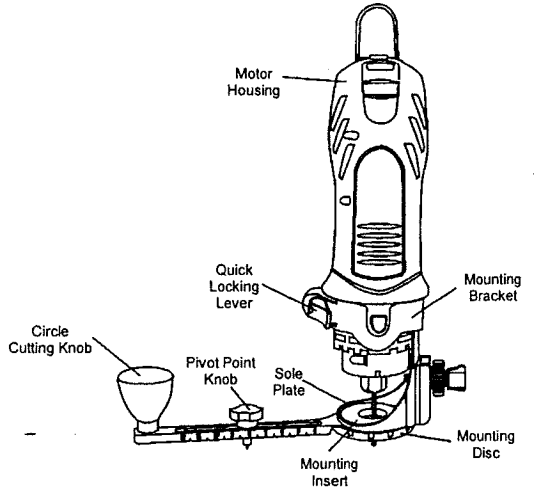
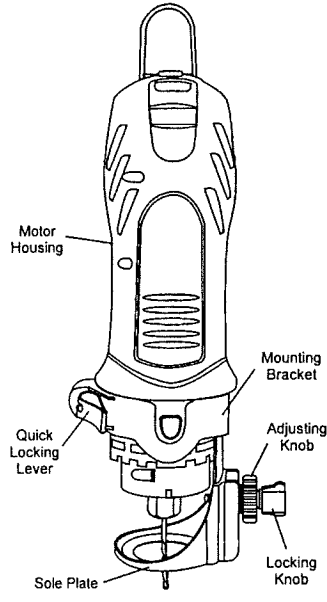
NOTE: The two most commonly used cutters are included with this tool (items K & L). It is important that you use the correct cutter to ensure the most efficient cutting action.

- Use cutter "K" with the coarser spiral for cutting drywall.
- Use the general purpose cutter "L" with the fine spiral for cutting materials such as wood, plastic and fiberglass.

CARTON CONTENTS



KNOW YOUR CUTTING TOOL



ASSEMBLY & OPERATION

⚠ WARNING

Remove the plug from the power source before assembly, changing accessories or cutters and making adjustments. This safety action will help prevent accidental starting of the tool which could result in serious injury.

ON / OFF & SPEED CONTROL SWITCHES

This cutting tool is equipped with a sliding ON / OFF switch (1) located on the side of the tool and a speed control switch (2) located on top of the tool (see Fig. 1).

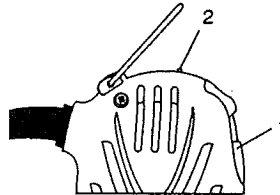


Fig. 1

1. To turn the tool ON, slide the switch (1) up.
2. To turn the tool OFF, slide the switch down.
3. To set speed to high speed, slide speed control switch (2) away from the ON / OFF switch.
4. To set the speed control switch to low speed, slide the speed control switch (2) toward the ON / OFF switch.

INSTALLING CUTTING BITS

⚠ WARNING

Cutting bit and router bit cutting surfaces are extremely sharp. Handle with caution.

To insert a cutting bit, use the collet wrench which is in the wrench holder attached to the power cord.

1. Depress the shaft locking button (1) and rotate the collet lock nut (2) clockwise with the other hand until the locking button drops into place, preventing the shaft from turning (see Fig. 2).
2. While continuing to hold the shaft locking button IN, use the collet wrench (3) to turn the collet nut counter clockwise. Loosen the collet nut two or three turns.
3. Remove bit if one is already installed in the tool.

INSTALLING CUTTING BITS – Cont'd

4. Insert new cutting bit (4) into the collet.

⚠ WARNING

Insert the bit all the way into the collet and then pull it back between $\frac{1}{16}$ " and $\frac{1}{8}$ ". This creates an air space between the motor shaft and the bit to help prevent overheating the bit.

Before tightening the collet on the bit, make sure the flutes (spiral portion) of the bit are completely visible outside the collet. Clamping the collet on the bit flutes will result in broken bits and possible injury.

5. When bit is properly placed in the collet, depress the shaft locking button and turn the collet nut clockwise by hand as far as possible.
6. Securely tighten collet nut using the wrench.

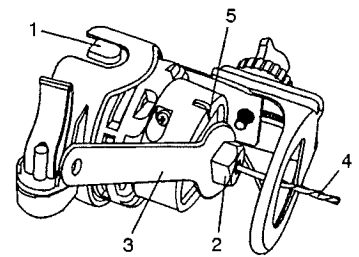


Fig. 2

WORK LIGHTS

The motor unit has two built-in work lights (5) (see Fig. 2). These work lights automatically light up when the motor switch is turned ON. Patterns or drawings in the immediate vicinity of the bit will be illuminated for better visibility and improved cutting accuracy.

SELECT APPROPRIATE MOTOR SPEED

Selecting the appropriate motor speed will ensure smoother, more efficient cutting action. Choose LOW speed for grinding, cutting plastics, polishing and when using wire or bristle brushes. Choose HIGH speed when cutting wood, using cut-off wheels and to reduce "chatter" that may develop when cutting some materials at LOW speed.

ASSEMBLY & OPERATION

⚠ WARNING

Have you read "POWER TOOL SAFETY", "CUTTING TOOL SAFETY" and "ELECTRICAL SAFETY" on pages 3, 4 and 5 of this Manual? If not, please do it now before you operate this cutting tool. Your safety depends on it!

Every time you use the cutting tool you should verify the following:

1. Cutting tool cord is not damaged.
2. Bit is correct type for the material being cut.
3. Bit is sharp, in good condition, properly installed and securely tightened.
4. Safety glasses and dust mask are being worn.

Failure to adhere to these safety rules can greatly increase your chances of injury.

PRACTICE CUTS USING FREEHAND SOLE PLATE

Before attempting to work on an actual project, take the time to make a few practice cuts with your cutting tool. Use some scraps of material that are the same material as used in your actual project.

1. Draw a pattern similar to your first project on a scrap piece of material.
2. Install freehand sole plate as shown in Fig. 4.
3. Install cutting bit in the collet as shown in Fig. 2.
4. Adjust depth of freehand sole plate as shown in Fig. 5.
5. Rest the edge of the sole plate on the workpiece with the bit at an angle of about 45° (see Fig. 6).
NOTE: DO NOT let the bit contact the workpiece until switch is turned ON and the tool is up to full speed.

⚠ WARNING

Before turning the tool switch ON, make sure you hold the tool firmly with both hands. Starting torque will cause the tool to twist.

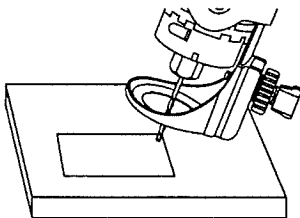


Fig. 6

PRACTICE CUTS USING FREEHAND SOLE PLATE

6. Set the speed control switch to the appropriate speed.
7. Turn the switch ON.
8. When the motor is up to full speed, slowly tip the tool to an upright position, letting the bit cut into the workpiece (see Fig. 7). Once the tool has reached the upright position and the bit has cut through the workpiece, slowly move the tool in a clockwise direction using slow steady pressure to make the cut. NOTE: Except for cutting around outlet boxes in drywall, always cut in a clockwise direction.
9. When cut is complete, turn the tool OFF, wait until it comes to a complete stop and remove it from the workpiece.

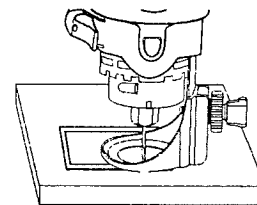


Fig. 7

⚠ DANGER

Do not attempt cutting around outlet boxes in drywall until:

1. All electricity in the vicinity of electric wires has been disconnected by either turning the breaker OFF or removing the fuses.
2. You have read the instructions on the following page entitled "CUTTING OUTLET OPENINGS IN DRYWALL".

CUTTING TIPS

The rotating cutting action of the bit will cause a slight pull to the left when cutting. Natural variations in the structure of wood will cause the bit to "wander". This tendency will be magnified when applying too much pressure to the bit. Slower cutting gives you better control. Excessive pressure or fast cutting will increase bit temperature and shorten the life of the bit.

When cutting a hole in a vertical surface, avoid ending the cut at the bottom of the hole. Always start and end the cut at the "top" so the cut-out part will not drop onto the rotating bit. Always turn the tool OFF before removing it from the workpiece.

ASSEMBLY & OPERATION

CUTTING OUTLET OPENINGS IN DRYWALL

⚠ DANGER

Do not attempt to use this tool to make cut-outs around any fixture or opening which has live electrical wires or on any wall which may have electrical wiring behind it. If a live wire is contacted, the bit could conduct the electric current to the tool, creating an electrocution hazard for the operator. Turn OFF breakers or remove fuses to disconnect the electric circuit in the area of work. Always hold the tool by its insulated housing when working in areas where there is a possibility of contacting electric wires. Always wear eye protection when operating this tool.

1. Before installing drywall, push the electrical wires to the back of the box as far as possible so they will not be cut by the bit when cutting the opening.
2. Before fastening the drywall sheet over the electrical box, mark the sheet as close as possible to the center of the box opening. Mark should be on the side of the drywall facing you.
3. When fastening the drywall in place, do not place nails or screws closer than 12" from the box. This will prevent the drywall from becoming deformed under pressure.
4. Insert cutting bit and install freehand sole plate as outlined on Pages 9 & 10 of this Owner's Manual. Adjust depth of cut so the bit will protrude $\frac{1}{8}$ " beyond the thickness of the drywall.
5. Hold the tool firmly with both hands and turn it ON. Plunge the bit through the drywall at the mark indicating the center of the box. See Fig. 8 for cutting pattern.

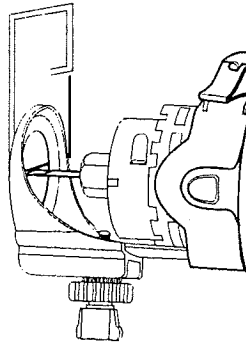


Fig. 8

CUTTING OUTLET OPENINGS IN DRYWALL – cont

6. Move the bit slowly to the right until you feel and the bit contacting the inside of the box.
7. Pull the bit out far enough to slip it over the edge of the box. Once the bit is outside the box, push it back to full depth beside the outside edge of the box.
8. Move the tool upward while applying slight pressure toward the center of the box. When you feel the bit reach the top right hand corner of the box, move the tool to the left while applying slight pressure downward toward the center of the box.
9. Continue moving the tool around the box in a counter clockwise direction while maintaining slight pressure toward the center of the box. When the box cut-out is complete. Turn the tool OFF and remove it from the cut-out.
10. Completed electrical box cut-out will be accurately and neatly cut (see Fig. 9).

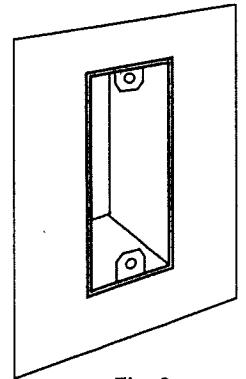


Fig. 9

NOTE: Always move the cutting bit in a counter clockwise direction around the outlet box. The natural tendency of the cutting bit to move to the left will make it easier to cut close to the box.

ASSEMBLY & OPERATION

PRECISION HANDLE

INSTALLING PRECISION HANDLE

The precision handle is designed for use when precision control over the tool movement is desired. The comfortable handle can be used with either the right or left hand.

1. Slide precision handle mounting bracket (1) onto the bottom of motor housing (2) until the slot under the handle (3) lines up with the shaft locking button (4) in the motor housing (see Fig. 10).
NOTES:
a) The mounting bracket must be pushed onto the motor housing as far as it will go.
b) The shaft locking button (5) can now be activated by your thumb while holding on to the precision handle
2. Lock the precision handle to the motor housing by snapping the quick locking lever (6) firmly against the motor housing.

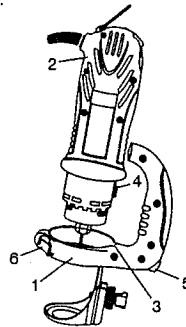


Fig. 10

ADJUSTING FREEHAND SOLE PLATE

1. Adjust precision handle sole plate depth by loosening the depth gauge locking knob (7) and rotating the adjusting knob (8) to move the sole plate (9) in or out as required (see Fig. 11).
NOTE: Set the depth gauge so the cutting bit protrudes beyond the sole plate $\frac{1}{8}$ " more than the thickness of the material being cut. For example, if you are cutting $\frac{3}{4}$ " pine, the bit should protrude $\frac{1}{8}$ " beyond the sole plate.
2. Securely tighten depth gauge knob.
3. Before starting to cut you should re-check bit depth, make sure sole plate is at right angles to the bit and securely tightened. Re-check the collet to make sure the bit is securely fastened.

ADJUSTING FREEHAND SOLE PLATE – Cont'd

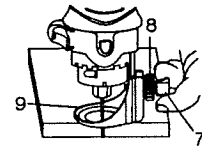


Fig. 11

CIRCLE CUTTER

INSTALLING CIRCLE CUTTER

The circle cutter accessory is ideal for precision cutting of circles. This circle cutter can be attached to either the freehand sole plate or the precision handle sole plate. For purposes of illustration, the circle cutter is shown with the freehand sole plate.

1. Install freehand sole plate on the tool as illustrated on Page 10 of this Owner's Manual.
2. Insert the externally threaded circle cutter mounting insert (1) into the bottom of the sole plate (2) (see Fig. 12).
NOTE: Make sure the molded "D" in the mounting insert is inserted into the matching "D" in the sole plate.
3. Place circle cutter mounting hole (3) over the externally threaded circle cutter mounting insert.
NOTE: Make sure pointed pivot pin (4) is pointing away from the tool.
4. Screw the internally threaded circle cutter mounting disc (6) onto the externally threaded circle cutter mounting insert and hand tighten.
NOTE: Do not over tighten the circle cutter mounting plastic parts. Hand tighten only.
5. Adjust the circle cutting radius by loosening pivot point knob (5), sliding it to the correct circle radius and re-tightening in the desired location.
NOTE: Check circle cutter radius setting by measuring from the pivot point to the outside of the cutting bit.

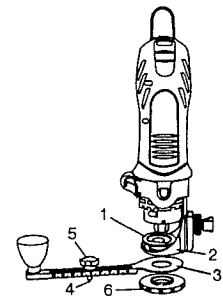


Fig. 12

ASSEMBLY & OPERATION

CIRCLE CUTTER

CIRCLE CUTTER OPERATION

⚠ WARNING

Unplug the tool from the power source before changing accessories, changing bits and making adjustments.

Before turning the tool ON, check to make sure bit and all accessory fasteners are securely tightened.

1. Mark the center of the circle you wish to cut on the workpiece and drill a 6 mm or $15/64$ " pilot hole.
2. Adjust cutting bit depth to $1/8$ " longer than the thickness of the material being cut (see Fig. 5).
3. Adjust the circle cutting radius by loosening pivot point knob, sliding it to the correct circle radius and re-tightening in the desired location.
NOTE: Check circle cutter radius setting by measuring from the pivot point to the **outside** of the spiral bit.
4. Rest the edge of the sole plate on the workpiece with the bit at an angle of about 45° (see Fig. 13). Insert the circle cutter pivot point into the pilot hole drilled at the center of the circle.
NOTE: DO NOT let the bit contact the workpiece before switch is turned ON and the tool is up to full speed.

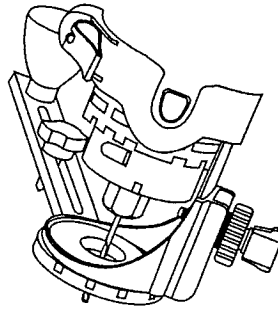


Fig. 13

CIRCLE CUTTER OPERATION – cont'd

5. Turn the switch ON.
6. When the motor is up to full speed, slowly tip the and circle cutter assembly to an upright position, letting the bit cut into the workpiece (see Fig. 14). Careful to keep the pivot point located at the center of the circle to be cut. Once the tool has reached the upright position and the bit has cut through the workpiece, slowly move the tool in a **clockwise** direction using slow steady pressure to make the cut. Continue to cut the circle, keeping the tool upright, rotating around the circle cutter pivot point.
7. When cut is complete, turn the tool OFF, wait until it comes to a complete stop and remove it from the workpiece.

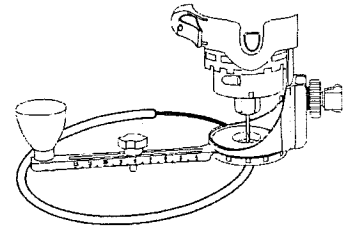


Fig. 14

ASSEMBLY & OPERATION

PLUNGE ROUTER BASE

The router accessory converts your cutting tool into a small hobby plunge router that is capable of handling small 1/4" shank router bits as well as the spiral cutting bit. The tilting base is ideal for bevel cutting. The plunge feature allows you to pre-set up to three different cutting depths.

⚠ WARNING

Unplug the tool from the power source before changing accessories, changing bits and making adjustments.

Before turning the tool ON, check to make sure the bit and all accessory fasteners are securely tightened.

ROUTER ACCESSORY INSTALLATION

1. Remove any accessory already installed on the tool.
2. Slide router accessory mounting bracket (1) onto the bottom of motor housing (2) until the mounting hole (3) lines up with the hole in the mounting bracket (see Fig. 15).
NOTE: The raised hole in the mounting bracket will slide over the motor shaft locking button.
3. Re-insert accessory locking knob (4) into the motor housing and securely tighten.

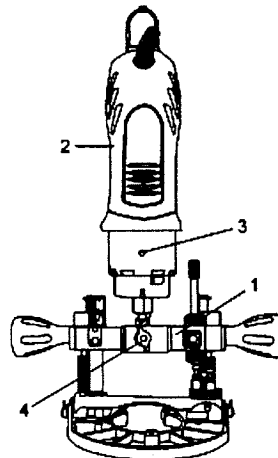


Fig. 15

SETTING ROUTER DEPTH FOR SINGLE DEPTH ONLY

Depth of cutting is controlled by sliding the router base up and down on the guide rods and locking it in place.

1. Raise plunge router depth stop rod by turning the lower depth stop lock nut (1) counter clockwise until it is positioned at the bottom of the depth stop rod (2) (see Fig. 16). Push depth stop quick release button (3) and raise the depth stop rod to its maximum height and then release the button.
2. Rotate plunge action turret (4) until the shortest stop screw is under the depth stop rod (2).
3. Loosen both height adjusting knobs (5) by turning them counter clockwise.
NOTE: Only loosen height adjusting knobs enough to release the tension on the guide rods (6).
4. Slide router base (7) up or down to obtain the desired depth of cut.
5. Re-tighten both height adjusting knobs when the desired cut depth is reached.

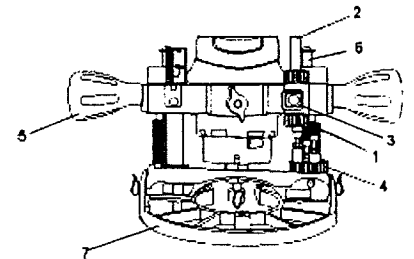


Fig. 16

SETTING PLUNGE DEPTH

Up to three different plunge depths can be pre-set by using the depth stop rod and plunge action turret. This provides for quick changes between depth settings.

1. Turn lower depth stop lock nut (1) to the bottom of depth stop rod and upper depth stop lock nut (2) to the top of depth stop rod (3) (see Fig. 17).
2. Push depth stop quick release button (4) and raise the depth stop rod to its maximum height and then release the button.
3. Rotate plunge action turret (5) until the shortest stop screw is under the depth stop rod.

ASSEMBLY & OPERATION

PLUNGE ROUTER BASE – cont'd

SETTING PLUNGE DEPTH – cont'd

- Loosen both height adjusting knobs (6) by turning them counter clockwise.
NOTE: Only loosen height adjusting knobs enough to release the tension on the guide rods (7).
- Slide router base (8) up or down to obtain the desired depth of cut.
- Re-tighten height adjusting knobs when the desired cut depth is reached.
- Push the depth stop quick release button and lower depth stop rod until it contacts the turret stop screw (9). After releasing the quick release button, finer adjustments can be made by turning the depth stop rod.
- Lock both the lower (1) and upper (2) depth stop lock nuts against the router body to lock the depth stop rod in place.
NOTE: Do not use pliers to tighten lock nuts. Turn lock nuts by hand only.
- Lock shortest turret stop screw by tightening lock nut (10).
NOTE: Do not over tighten lock nut.
- Loosen both height adjusting knobs just enough to allow router to freely slide up and down on the guide rods.
- Two additional depths can be pre-set in a similar way setting the other two turret stop screws to the desired depth.
NOTE: To select pre-set plunge depth, simply rotate the turret until the correct turret stop screw is aligned under the depth stop rod.

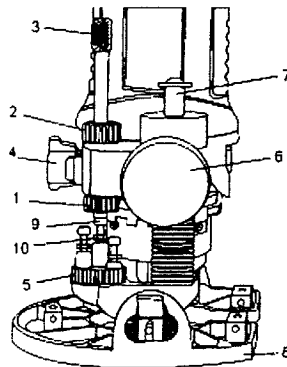


Fig. 17

SETTING ROUTER BASE BEVEL

Bevel cutting with the cutting bit can be done with the router base tilted to the desired angle.

- Loosen both bevel adjusting locks (1) by pulling the outward from the router base (2) (see Fig. 18).
- Tilt router base to the desired angle.
NOTE: There are detents for locking the router base at 0°, 15°, 30° and 45°. These are the four most common angles for bevel cutting.
- Lock both bevel adjusting locks by pushing them firmly back into position against the router base.
- Check bevel angle between router base and router to ensure they are at correct angle.
- Check router depth of cut and re-set the depth if required.
NOTE: Depth of cut will usually have to be increased after tilting the router base for bevel cutting.

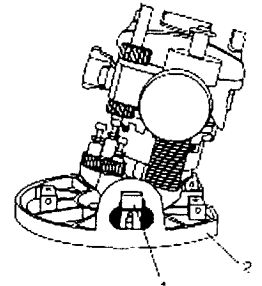


Fig. 18

ASSEMBLY & OPERATION

PLUNGE ROUTER BASE

FREEHAND CUTTING AND ROUTING

When the router base accessory is installed on the cutting tool, it will function as a small router to be used for freehand cutting of irregular shaped patterns. You can cut patterns out of the workpiece with the cutting bit or route patterns into the workpiece with small router bits.

FREEHAND CUTTING

1. Adjust the cutting bit depth to $\frac{1}{8}$ " longer than the thickness of the material being cut.
2. Turn the switch ON while firmly holding the tool.
3. When starting the cut inside the workpiece, place the bit at an angle to allow the bit to cut its way into the workpiece (see Fig. 6).
4. Use the two height adjusting knobs to guide the bit through the workpiece.

FREEHAND ROUTING

Use the router base with small router bits to perform various freehand routing projects (see Fig. 19).

1. Remove $\frac{1}{8}$ " collet and insert $\frac{1}{4}$ " collet (see Fig. 3).
2. Install router bit and securely tighten.
3. Adjust router base height to the correct routing depth.
4. Turn the switch ON making sure the router bit is not touching anything.
5. Holding the tool by the two height adjusting knobs, carefully lower the bit onto the workpiece and guide the bit around the desired pattern.

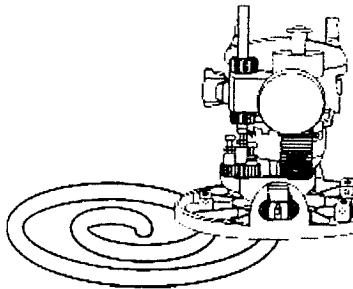


Fig. 19

CUTTING STRAIGHT LINE WITH STRAIGHT EDGE

To cut a straight line, you can use a straight edge template to guide the router base.

1. Draw a line on the workpiece where you wish to make the cut (see Fig. 20).
2. Draw a parallel second line approximately $2\frac{1}{8}$ " back into the workpiece (away from the cutting line).
3. Clamp the straight edge onto the larger portion of the workpiece that is to be clamped while cutting.
4. Place the flat side of the router base against the straight edge with the bit near the start of the cutting line.
NOTE: Check bit location to ensure cut will be made in the correct location.
5. Turn the switch ON while firmly holding the tool.
6. Slide the router plate against the straight edge while making the cut.

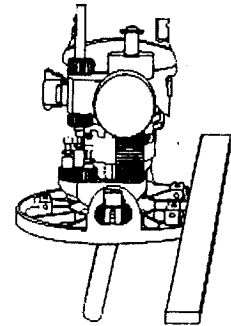


Fig. 20

OPERATION & MAINTENANCE

PLUNGE ROUTER BASE

CUTTING CURVED LINE WITH A TEMPLATE

To cut a curved line, you can use a curved template to guide the router base.

1. Make a template from hardboard or other similar material to the shape you require (see Fig. 21).
NOTE: Radius of curve must be greater than $2\frac{1}{2}$ " for router base to properly follow the curved template.
2. Mark the location of the cut to be made.
3. Mark the workpiece approximately $2\frac{1}{16}$ " back into the workpiece (away from the cutting line).
4. Clamp the template onto the larger portion of the workpiece that is to be clamped while cutting.
5. Place the curved portion of the router base against the template with the bit near the start of the cutting line.
NOTE: Check bit location to ensure cut will be made in the correct location.
6. Turn the switch ON while firmly holding the tool.
7. Slide the router plate against the template while making the cut.

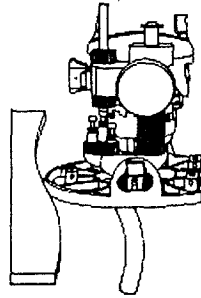


Fig. 21

MAINTENANCE

⚠ DANGER

For your own safety, turn the switch OFF and remove the plug from the power source before maintaining your cutting tool.

When servicing, use only identical Craftsman parts. Use of any other part may create a hazard or cause product damage.

MAINTENANCE

EXTERNAL CLEANING

⚠ WARNING

DO NOT use solvents when cleaning plastic parts. Most plastics are susceptible to damage from various types of commercial solvents and may be damaged by their use. Use clean cloth to remove dirt, dust, oil, grease, etc.

Do not at any time allow brake fluids, gasoline, petroleum-based products, penetrating oils, etc. to come in contact with plastic parts. They contain chemicals that can damage, weaken or destroy plastic.

INTERNAL CLEANING

It has been found that electric tools are subjected to accelerated wear and possible premature failure when they are used on fiberglass boats and sports cars, wallboard, spackling compounds or plaster. The chips and grindings from these materials are highly abrasive to electric tool parts such as bearings, brushes, commutator, etc. During any use on these materials it is extremely important that the tool is cleaned frequently by blowing with a compressed air jet.

⚠ DANGER

It is critical that you wear safety goggles or safety glasses with side shields and a dust mask while blowing dust out of the cutting tool with a compressed air jet. Failure to take these safety precautions could result in permanent eye or lung damage.

POWER CORD MAINTENANCE

⚠ WARNING

To avoid shock or fire hazard, replace the cord immediately if it is worn or damaged in any way.

LUBRICATION

All of the bearings in this cutting tool are lubricated with sufficient amount of high grade lubricant for the life of the unit under normal conditions. Therefore, no further lubrication is required.

PARTS LIST – MODEL 183.172521

⚠ WARNING

When servicing use only CRAFTSMAN replacement parts. Use of any other parts may create a HAZARD or cause damage to your Cutting Tool.

Any attempt to repair or replace electrical parts on this Cutting Tool may create a hazard unless repair is performed by a qualified technician. Repair service is available by contacting your nearest Sears Service Center.

Always order by PART NUMBER, not by key number.

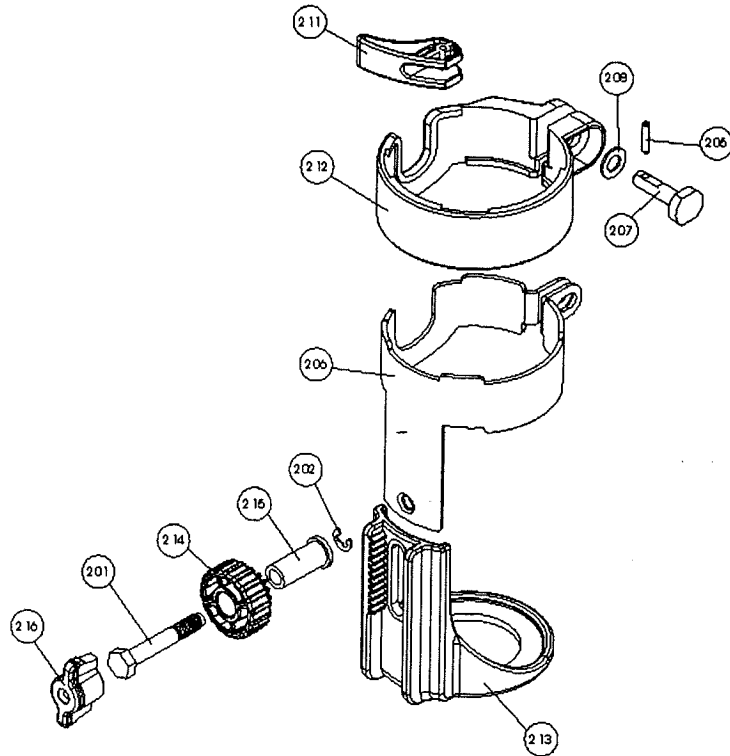
Main Unit

Key #	Part #	Part Name	Qty	Key #	Part #	Part Name	Qty
1	01AR-000032-00	Bearing Sleeve	1	44	03AT-000033-00	Terminal block	1
2	01AR-000035-00	Switch presser	1	48	03AT-000040-00	Terminal (female)	2
3	01AT-000014-A0	Bushing tube	2	49	03AT-000046-00	Carbon brush	2
5	01AT-000031-00	Bushing tube	2	50	03AW-000131-00	Power cord	1
10	02AE-000060-00	Front bearing	1	53	03AY-000020-00	Wire	1
11	02AE-000061-00	Rear bearing	1	55	03AY-000073-00	Wire	2
12	02AK-000022-00	Rivet	4	56	03AY-000074-00	Wire	2
13	02AH-000088-00	Brush spring	2	59	04AP-000068-00	Fibra	1
14	02AH-000089-00	Spindle spring	1	62	2203-MA0003-00	1/4" collet	1
15	02AH-000112-00	Hanger	1	62	2203-MA0004-00	1/8" collet	1
17	02AS-000199-A0	Case screw	8	63	2203-MA0007-00	Lock plate	1
18	02AS-000201-A0	Screw	3	67	2207-MA0003-00	Spindle lock	1
19	02AS-000260-00	Machine screw	1	70	2213-MA0002-00	Conductor	2
22	02AW-000055-00	Retaining ring	1	71	2213-MA0005-00	Chuck cap	1
23	03AA-000279-00	Transformer	1	72	2213-MA0006-00	Spanner	1
24	03AC-000011-F0	Capacity	1	*	2213-SAM001-00	Brush assembly	2
25	03AC-000043-00	Capacity	1	73	2213-MA0011-00	Metal conductor	2
28	03AD-000009-A0	Diode	4	74	2213-MA0012-00	Brush case	2
29	03AD-000040-00	Diac	1	76	2213-MA0014-00	Wire cover	1
30	03AD-000074-00	LED	2	77	2213-MA0015-00	Stop plate	1
31	03AD-000075-00	Triac	1	79	2203-PA0008-00	Spanner belt	1
34	03AM-000104-00	Stator	1	80	2207-PA0007-00	Screw lock B	1
35	03AM-000105-00	Rotor	1	81	2213-PA0022-00	Bottom cabinet	1
36	03AP-000073-00	PCB	1	82	2213-PA0023-00	Top cabinet	1
37	03AP-000076-00	PCB	1	83	2213-PA0024-00	Switch cover	1
38	03AR-000013-A0	Resistor	1	84	2213-PA0025-00	Lock button	1
39	03AR-000015-D0	Resistor	1	85	2213-PA0026-00	Cover	1
40	03AR-000109-A0	Resistor	3	87	2213-PA0028-00	2P-Switch	1
41	03AS-000135-00	Micro switch	1	91	9866-PA0004-00	Press plate	1
42	03AS-000140-00	Switch	1	92	9920-PA0011-00	Cord Sleeve	1



PARTS – MODEL 183.172521

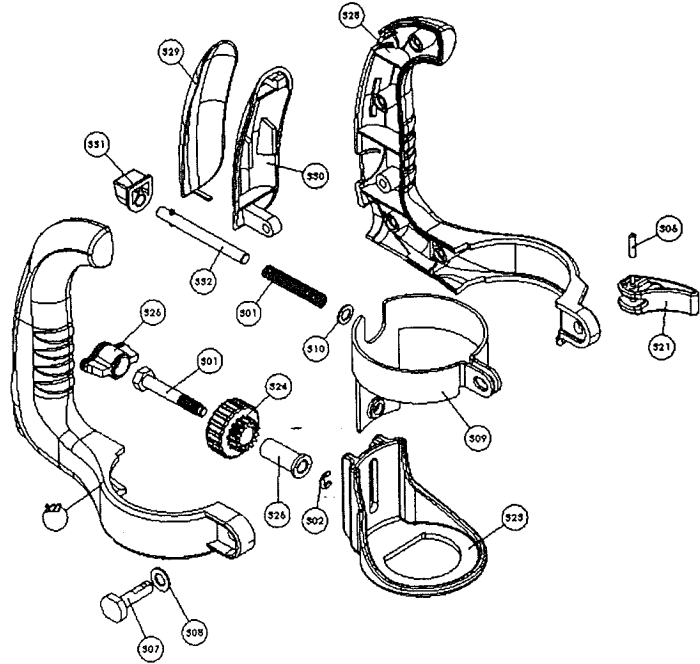
Freehand Soleplate Assembly



Key #	Part #	Part Name	Qty
201	02AF-000041-I0	Fixing shaft	1
202	02AF-000076-00	Release lock pin	1
203	02AS-000287-00	Screw	1
208	2213-MA0010-00	Freecut metal round guide	1
211	2213-PA0010-00	Lock	1
212	2213-PA0011-00	Fixbase	1
213	2213-PA0012-00	Plastic guide base	1
214	2213-PA0013-00	Adjustment Gear 15T	1
215	2213-PA0014-00	Sleeve	1
216	2213-PA0015-00	Screw lock F	1

PARTS – MODEL 183.172521

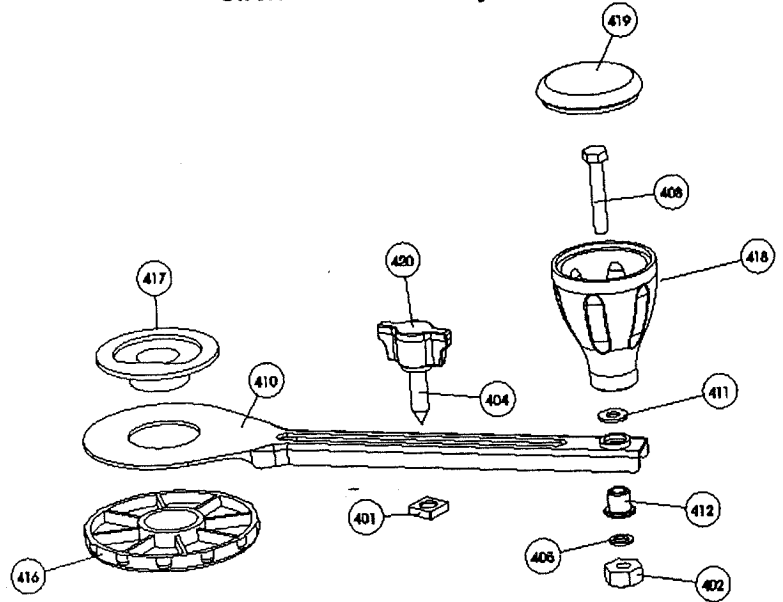
Handle Assembly



Key #	Part #	Part Name	Qty
301	02AF-000041-10	Fixing shaft	1
302	02AF-000076-00	Release lock pin	1
304	02AH-000106-00	Compressive spring	1
305	02AS-000148-00	Screw	2
306	02AS-000287-00	Screw	1
307	02AS-000288-00	Screw	3
310	02AW-000067-00	Washer	1
312	2213-MA0013-00	S-round guide holder	1
321	2213-PA0010-00	Lock	1
323	2213-PA0012-00	Plastic guide base	1
324	2213-PA0013-00	Adjustment Gear 15T	1
325	2213-PA0014-00	Sleeve	1
326	2213-PA0015-00	Screw lock F	1
327	2213-PA0016-00	Anx right handle	1
328	2213-PA0017-00	Anx left handle	1
329	2213-PA0018-00	Anx handle softgrip (outside)	1
330	2213-PA0019-00	Anx handle softgrip (inside)	1
331	2213-PA0020-00	Simple lock	1
332	2213-PA0021-00	Shaft F5-5	1

PARTS – MODEL 183.172521

Circle Cutter Assembly



Key #	Part #	Part Name	Qty
401	02AN-000017-00	Square nut	1
402	02AN-000018-00	Hexagon thin nut	1
403	02AS-000258-00	Machine screw	1
404	02AS-000272-00	Screw	1
405	02AW-000022-00	Spring washer	1
410	2206-MA0001-00	Circular arm (metric)	1
410	2206-MA0005-00	Circular arm (inch)	1
411	2206-MA0002-00	Washer	1
412	2206-MA0003-00	Handle bush	1
415	2206-PA0001-00	Distance lock with center pin	1
416	2206-PA0003-00	Locking base	1
417	2206-PA0004-00	Round guide mount	1
418	2213-PA0007-00	Handle cup-like base	1
419	2213-PA0008-00	Handle cup-like cover	1

PARTS – MODEL 183.172521

Router Assembly

Key #	Part #	Part Name	Qty
101	02AF-000041-I0	Fixing shaft	2
102	02AF-000077-00	Base release lock pin	2
103	02AF-000078-00	Height rod	1
104	02AG-000145-00	Guide bush	2
105	02AJ-000017-00	Router tile base	1
107	02AH-000107-00	Spring	2
108	02AH-000108-00	Spring	2
109	02AH-000109-00	Spring	1
111	02AN-000001-A0	Screw nut	5
112	02AN-000013-00	Square nut	2
113	02AN-000019-00	M4 fixing nut	3
114	02AN-000024-00	Hexagon thin nut	1
115	02AQ-000001-A0	Steel ball	1
117	02AS-000020-A0	Screw	1
118	02AS-000048-A0	Machine screw	3
119	02AS-000276-00	Base screw	6
120	02AS-000258-00	Machine screw	2
121	02AS-000260-00	Machine screw	1
122	02AS-000290-00	Screw	1
123	02AS-000291-00	Screw	1
124	02AS-000292-00	Screw	1
128	02AW-000068-00	Wave washer	1
129	02AW-000070-00	External retaining rings	2
131	2213-MA0001-00	Guide rod	2
133	2213-MA0003-00	Knock head	2
134	2213-MA0004-00	Index guide	1
138	2213-MA0007-00	Washer plate 1	2
139	2213-MA0008-00	Washer plate 2	2
151	2213-PA0001-00	Router fix base	1
152	2213-PA0002-00	Router movable base	1
153	2213-PA0003-00	Router quick height lock	1
154	2213-PA0004-00	Memory post dial	1
155	2213-PA0005-00	Lock	2
156	2213-PA0006-00	Bellow	2
157	2213-PA0007-00	Handle cup-like base	2
158	2213-PA0008-00	Handle cup-like cover	2
159	2213-PA0009-00	Height adjust knob	2
164	2205-PA0004-00	Lens	1
165	2205-PA0007-00	Locking disc	2
166	2207-PA0007-00	Screw lock B	1

Get it fixed, at your home or ours!

For repair of major brand appliances **in your own home ...**
no matter who made it, no matter who sold it!

1-800-4-MY-HOME® Anytime, day or night
(1-800-469-4663) (U.S.A. and Canada)

www.sears.com

www.sears.ca

For repair of carry-in products like vacuums, lawn equipment,
and electronics, call for the location of your nearest
Sears Parts and Repair Center.

1-800-488-1222 Anytime, day or night (U.S.A. only)

www.sears.com

For the replacement parts, accessories and owner's manuals
that you need to do-it-yourself, call **Sears PartsDirectSM**!

1-800-366-PART 6 a.m. – 11 p.m. CST, 7 days a week
(1-800-366-7278) (U.S.A. only)

www.sears.com/partsdirect

To purchase or inquire about a Sears Service Agreement
or Sears Maintenance Agreement:

1-800-827-6655 (U.S.A.)

7 a.m. – 5 p.m. CST, Mon. – Sat.

1-800-361-6665 (Canada)

9 a.m. – 8 p.m. EST, M – F, 4 p.m. Sat.

Para pedir servicio de reparación a
domicilio, y para ordenar piezas:

1-888-SU-HOGARSM
(1-888-784-6427)

Au Canada pour service en français:

1-800-LE-FOYER^{MC}
(1-800-533-6937)
www.sears.ca



© Registered Trademark / TM Trademark / SM Service Mark of Sears, Roebuck and Co.
© Marca Registrada / TM Marca de Fábrica / SM Marca de Servicio de Sears, Roebuck and Co.
^{MC} Marque de commerce / ^{MD} Marque déposée de Sears, Roebuck and Co.

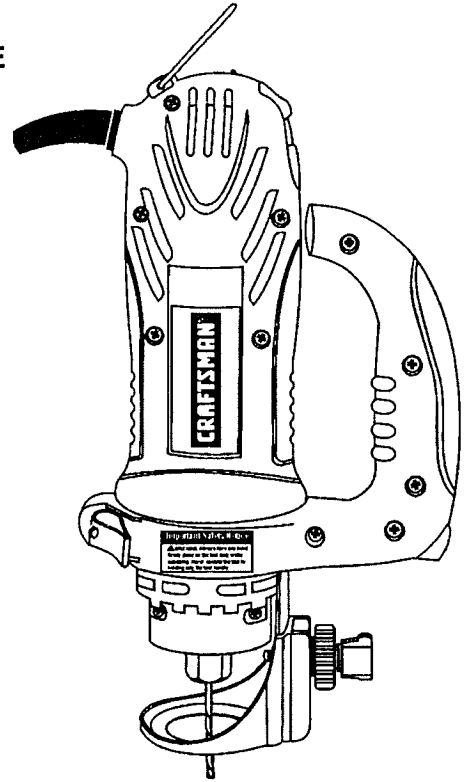
© Sears, Roebuck and Co.

Manual del propietario

CRAFTSMAN®

**HERRAMIENTA DE CORTE
TODO EN UNA**

**Modelo No.
183.172521**



Aviso importante de seguridad

⚠ ADVERTENCIA

Siempre sostenga el cuerpo de la herramienta con una mano mientras la use. Nunca use la herramienta sosteniéndola sólo por el asa.

ADVERTENCIA:
Lea este manual y siga todas sus reglas de seguridad e instrucciones de operación antes de usar esta herramienta de corte.

- Instrucciones de seguridad
- Accesorios
- Montaje
- Operación
- Mantenimiento
- Lista de piezas
- Castellano

2213-504004-00

Sears, Roebuck and Co., Hoffman Estates, IL 60179 USA
No. de parte 183172520003 Rev. 3 06/27/02

CONTENIDO

SECCIÓN	PÁGINA	SECCIÓN	PÁGINA
Garantía	2	Contenido de la caja.....	6, 7
Especificaciones del producto.....	2	Familiarícese con su herramienta de corte.....	8
Seguridad con herramientas eléctricas..	3	Montaje y operación..	9 – 18
Seguridad con la herramienta de corte.....	4	Mantenimiento.....	18
Requisitos de electricidad y seguridad...	5	Piezas de reparación.....	19 – 25
Accesorios	6	Piezas y disponibilidad de servicio.....	26

GARANTÍA

GARANTÍA COMPLETA POR UN AÑO

Sears, si así lo decide, reparará y reemplazará esta herramienta de corte sin costo alguno si la misma falla debido a defectos de materiales o de fabricación, durante un año contado desde la fecha de su compra.

Envíe esta herramienta de corte a un Centro de servicios de Sears para su reparación, o al lugar en donde la adquirió para su reposición.

Esta garantía le da ciertos derechos legales, además de los cuales usted puede tener otros derechos que cambian de estado en estado.

Sears, Roebuck and Co., Dept. 817 WA, Hoffman Estates, IL 60179

ADVERTENCIA

Cierta polvo causado por el lijado eléctrico, el aserrado, el molido, perforado y demás actividades de la construcción, contiene productos químicos que (según el Estado de California) se sabe que causan cáncer, defectos congénitos u otras lesiones al aparato reproductor. Algunos de estos productos químicos son:

- El plomo de pinturas con base de plomo.
- El sílice cristalino de los ladrillos, el cemento y otros productos de albañilería.
- El arsénico y el cromo de la madera tratada químicamente.

El riesgo al que se somete por exposición varía dependiendo de cuán frecuentemente haga este tipo de trabajo. Para reducir su exposición a estos productos químicos, trabaje en un área bien ventilada y use el equipo de seguridad prescrito, tal como las máscaras contra el polvo diseñadas especialmente para filtrar las partículas microscópicas.

ESPECIFICACIONES DEL PRODUCTO

Capacidad del motor.....	120V, 60Hz, CA	Potencia del motor	3/4 HP (al máximo)
Amperios	5.0 Amperios	Peso	1.7 kg
2 velocidades (sin carga) ...	20000 & 30000 RPM		

ADVERTENCIA

Use el protector de circuitos adecuado para evitar choques eléctricos, el riesgo de incendios o dañar la herramienta de corte.

Esta herramienta de corte ha sido ensamblada para trabajar con 110-120 voltios. Debe conectarse a un fusible de retardo o a un cortacircuitos de 110-120 voltios/15 amperios. Reemplace el cable de corriente de inmediato si está gastado, cortado o dañado de cualquier forma para evitar choques o incendios.

Antes de usar su herramienta de corte, es vital que lea y que comprenda estas reglas de seguridad. Si no sigue estas reglas puede sufrir lesiones serias o dañar la herramienta de corte.

SEGURIDAD CON HERRAMIENTAS ELÉCTRICAS

⚠️ ADVERTENCIA

Antes de usar su herramienta de corte es vital que lea y que comprenda estas reglas de seguridad. Si no sigue estas reglas puede sufrir lesiones serias o dañar la herramienta de corte.

Las buenas prácticas de seguridad son la combinación del sentido común, de estar alerta y de saber cómo usar su herramienta eléctrica. Para evitar errores que le puedan causar lesiones serias, no conecte su herramienta de corte hasta que haya leído y entendido las siguientes reglas de seguridad:

1. **LEA** todo y familiarícese con este Manual del propietario **CONOZCA** las aplicaciones, los límites y los posibles riesgos de esta herramienta.
2. **⚠️ ADVERTENCIA**
Busque este símbolo que identifica las precauciones de seguridad importantes. Significa **¡PRECAUCIÓN!** **¡MANTÉNGASE ALERTA!** **¡SU SEGURIDAD ESTÁ EN JUEGO!**
3. **USE LAS GUARDAS** y manténgalas en buen estado.
4. **NO SE USE EN AMBIENTES PELIGROSOS** tales como en sitios húmedos, mojados ni expuestos a la lluvia. Mantenga el área de trabajo bien iluminada.
5. **NO use herramientas eléctricas** en presencia de líquidos o de gases inflamables.
6. **MANTENGA LIMPIA EL ÁREA DE TRABAJO.** Las áreas y las mesas de trabajo abarrotadas invitan a los accidentes.
7. **MANTÉNGASE ALEJADO DE LOS NIÑOS.** Todos los visitantes deben estar a una distancia segura del área de trabajo.
8. **NO FUERCE LA HERRAMIENTA.** La misma hará el trabajo mejor y en forma más segura a la velocidad para la que fue diseñada.
9. **USE LA HERRAMIENTA ADECUADA.** No fuerce la herramienta o el accesorio a hacer un trabajo para el cual no está diseñada.
10. **VISTA LA ROPA ADECUADA.** NO use ropa suelta, guantes, corbatas, anillos, brazaletes ni joyas que puedan engancharse en las partes móviles. Se recomienda usar calzado que no resbale. Use un protector para el cabello para retener el pelo largo.
11. **USE UNA MÁSCARA O MASCARILLA CONTRA EL POLVO.** Las operaciones de aserrado, corte, perforado y lijado producen polvo peligroso.
12. **DESCONECTE LA HERRAMIENTA DE LA FUENTE DE CORRIENTE** antes de hacerle servicio y cuando cambie los accesorios tales como las hojas, las brocas, las sierras, etc.
13. **REDUZCA EL RIESGO DEL ENCENDIDO INVOLUNTARIO.** Verifique que el interruptor esté en la posición "APAGADO" antes de enchufar la herramienta a la corriente.
14. **SÓLO USE LOS ACCESORIOS RECOMENDADOS.** Busque los accesorios recomendados en el Manual del propietario. El

⚠️ ADVERTENCIA

uso de accesorios inadecuados puede causarle lesiones y dañar la herramienta.

15. **RETIRE LAS CLAVIJAS Y LLAVES DE AJUSTE.** Fórmese el hábito de verificar que se hayan retirado las clavijas y las llaves de ajuste de la herramienta antes de ponerla en posición de "ENCENDIDO".
16. **NUNCA DEJE FUNCIONANDO SOLA UNA HERRAMIENTA. APAGUE LA HERRAMIENTA.** No descuide la herramienta antes de que se detenga por completo.
17. **NUNCA SE PARE SOBRE LA HERRAMIENTA.** Puede sufrir lesiones serias si la herramienta se voltea o si toca la herramienta de corte involuntariamente.
18. **NO SE ESTIRE DEMASIADO.** Mantenga un buen sostén y su equilibrio en todo momento.
19. **CUIDE BIEN SU HERRAMIENTA.** Mantenga las herramientas afiladas y limpias para un rendimiento más eficaz y seguro. Siga las instrucciones para su lubricación y para el cambio de accesorios.
20. **REVISE QUE NO HAYAN PIEZAS DAÑADAS.** Antes de seguir usando una herramienta, una guarda u otra parte dañada, la misma se debe inspeccionar para verificar que funcione debidamente y que cumpla su función correspondiente. Verifique la alineación de las partes móviles, el retén de las mismas, su montura y cualquier otra condición que afecte su funcionamiento seguro. Se deberá reparar o cambiar toda guarda u otra parte que esté dañada.
21. **DISPONGA SU TALLER A PRUEBA DE NIÑOS** usando candados, interruptores principales o retirando las llaves de encendido.
22. **NO use la herramienta** bajo la influencia de drogas, de alcohol o de medicamentos que limiten su habilidad para usar la misma en forma segura.
23. **UTILICE RECOLECTORES DE POLVO** en lo posible. El polvo generado por ciertos materiales puede ser dañino para su salud y causar incendios en ciertos casos. Use siempre la herramienta en un área bien ventilada con la remoción de polvo adecuada.
24. **PROTEJA SIEMPRE LA VISTA.** Toda herramienta eléctrica puede lanzar partículas extrañas a sus ojos lo que los puede dañar permanentemente. **USE SIEMPRE gafas de seguridad (no anteojos)** que cumplan con la norma de seguridad ANSI Z87.1. Los anteojos de uso diario sólo tienen lentes que resisten a los golpes. **NO SON** gafas de seguridad. Sears dispone de gafas de seguridad.



⚠️ ADVERTENCIA

Los anteojos o gafas que no cumplen con la norma ANSI Z87.1 pueden causarle lesiones severas al romperse.

GUARDE ESTAS INSTRUCCIONES COMO REFERENCIA

SEGURIDAD CON LA HERRAMIENTA DE CORTE

ADVERTENCIA

Para su seguridad, no enchufe su herramienta de corte ni intente usar cualquier accesorio que no esté ensamblado e instalado completamente según estas instrucciones, y hasta no haber leído y entendido este Manual del propietario.

Puede sufrir el riesgo de lesiones serias si no sigue estas reglas de seguridad.

1. **USE PROTECTORES PARA LA VISTA.** Esta herramienta de alta velocidad hará saltar partículas de la pieza de trabajo durante su operación. Asegúrese que sus gafas de seguridad tengan lados protegidos.
2. **USE UNA MÁSCARA PARA EL ROSTRO O CONTRA EL POLVO** además de gafas de seguridad si la operación de corte o de fresado es polvorienta. Asegúrese que su área de trabajo esté bien ventilada.
3. **PROTEJA SUS OÍDOS,** en especial durante trabajos prolongados.
4. **NUNCA USE BROCAS ROMAS O DAÑADAS.** Las brocas dañadas se pueden romper repentinamente. Las brocas romas pueden sobrecargar el motor, cortar más lento y ser difíciles de controlar. También se pueden recalentar y romper.
5. **VERIFIQUE SIEMPRE QUE LA PIEZA DE TRABAJO NO TENGA CLAVOS U OBJETOS EXTRAÑOS.** Si la broca choca contra un clavo, saltará a un lado y puede romperse.
6. **NO USE ESTA HERRAMIENTA PARA PERFORAR AGUJEROS.** La misma NO fue diseñada como un taladro.
7. **DEJE UN ESPACIO BAJO LA PIEZA DE TRABAJO** para que la broca se mueva. Nunca coloque la pieza de trabajo sobre superficies duras como hormigón, etc. La broca puede saltar o romperse cuando toque otra superficie que no sea la que se esté cortando.
8. **FIJE SIEMPRE EL MEDIDOR DE PROFUNDIDAD A LA PROFUNDIDAD DEBIDA.** Use la herramienta con el medidor de profundidad en posición plana contra la superficie de trabajo para controlar mejor la herramienta.
9. **NUNCA USE LA HERRAMIENTA SIN LA BANCADA, EL ASA DE PRECISIÓN O LA BASE DE FRESADO** colocados y fijados debidamente.
10. **FIJE SIEMPRE LA PIEZA DE TRABAJO CON ABRAZADERAS PARA MANTENERLA FIRME MIENTRAS CORTE.** Esto dejará libres ambas manos para operar la herramienta.
11. **NUNCA SOSTENGA LA PIEZA DE TRABAJO CON UNA MANO** mientras opera la herramienta con la otra mano.
12. **NUNCA COLOQUE LAS MANOS EN EL CAMINO DE LA SIERRA NI DEBAJO DE LA PIEZA DE TRABAJO.**
13. **NUNCA ENCIENDA LA HERRAMIENTA CUANDO LA BROCA TOQUE LA PIEZA DE TRABAJO.** La broca puede engancharse en la pieza haciéndole perder el control.
14. **SIEMPRE SOSTENGA LA HERRAMIENTA CON AMBAS MANOS CUANDO LA ENCIENDA Y LA OPERE.** El torque del motor al encenderse puede hacer que la herramienta se retuerza.
15. **APAGUE TODOS LOS CORTACIRCUITOS Y RETIRE TODOS LOS FUSIBLES** del área de trabajo cuando haga cortes en las paredes o en áreas ocultas.
16. **SOSTENGA SIEMPRE LA HERRAMIENTA POR LAS SUPERFICIES AISLADAS DE AGARRE DEL CUERPO DE LA MISMA** cuando exista la posibilidad de que la sierra toque cables eléctricos ocultos o el cable de la herramienta. El contacto con cables con corriente hará que pase corriente a las partes de metal expuestas de la herramienta, y le dará un choque eléctrico al usuario.
17. **CUANDO HAGA ABERTURAS PARA TOMAS DE CORRIENTE EN PIRCA** usando el tomacorriente como guía, haga siempre el corte en sentido contra las agujas del reloj. La tendencia natural de la herramienta a tirar hacia la izquierda causará que se acerque más a la toma de corriente, dando un corte más preciso.
18. **NUNCA RECUERTE LA HERRAMIENTA HASTA QUE LA SIERRA SE HAYA DETENIDO POR COMPLETO.** La broca en movimiento puede tocar la superficie y descontrolarla.
19. **NUNCA TOQUE LA BROCA INMEDIATAMENTE DESPUÉS DE USARLA.** La broca estará muy caliente para manipularla con las manos desprotegidas y le quemará los dedos.
20. **VUELVA A APRETAR SIEMPRE EL MANDRIL DE PINZA Y TODOS LOS AJUSTES** antes de arrancar la herramienta tras cambiar la broca o un accesorio. Las brocas y los ajustes flojos pueden hacer que la herramienta se mueva sorpresivamente, haciéndole perder el control y pudiendo causarle lesiones por la broca o al saltar la herramienta.

GUARDE ESTAS INSTRUCCIONES COMO REFERENCIA

REQUISITOS DE ELECTRICIDAD Y SEGURIDAD

AISLAMIENTO DOBLE

Esta herramienta de corte tiene un aislamiento doble para protegerlo contra choques eléctricos.

ADVERTENCIA

Las herramientas de aislamiento doble tienen un enchufe polarizado (una hoja es más ancha que la otra). Este enchufe sólo calza de una forma en el tomacorrientes polarizado. Si el enchufe no calza bien en el tomacorrientes, voltée el enchufe. Si a pesar de lo anterior no calza, contacte a un electricista calificado para que instale un tomacorrientes polarizado. No altere el enchufe en forma alguna. El aislamiento doble elimina la necesidad de tener un cable de corriente de tres cables con toma a tierra y un sistema de corriente con toma a tierra.

Evite que su cuerpo toque las superficies con toma a tierra tales como tuberías, radiadores, estufas y refrigeradores. Si su cuerpo hace tierra, existe mayor riesgo de recibir un choque eléctrico.

No esponga las herramientas eléctricas a la lluvia o a la humedad. El agua dentro de una herramienta eléctrica aumentará el riesgo de recibir un choque eléctrico.

No maltrate el cable. Nunca use el cable para llevar la herramienta ni tire del mismo para desenchufarla. Mantenga el cable alejado del calor, el aceite, los objetos afilados y las piezas en movimiento. Reponga el cable dañado de inmediato. Los cables dañados aumentan el riesgo de choques eléctricos.

Use un cable de extensión para exteriores marcado con "W-A" o con "W" cuando opere una herramienta eléctrica en exteriores. Estos cables están clasificados para usos exteriores y reducen el riesgo de choques eléctricos.

ADVERTENCIA

Asegúrese siempre de que la toma esté polarizada. Si tiene dudas, haga que un electricista calificado la revise.

LINEAMIENTOS PARA CABLES DE EXTENSIÓN

Verifique que su cable de extensión esté en buen estado. Cuando use un cable de extensión, asegúrese de que el mismo pueda transmitir la corriente que requiere la herramienta. Un cable de calibre inferior hará que caiga el voltaje de la línea, lo que hará que falte energía y el mismo se recaliente. La tabla de abajo muestra el calibre correcto según la longitud del cable y su capacidad nominal en amperios. Si tiene dudas use el cable más grande que le siga. A menor número de calibre, mayor será el grosor del cable.

Asegúrese de que su cable de extensión esté bien cableado y en buen estado. Antes de usarlo, reponga todo cable de extensión dañado o haga que un electricista calificado lo repare. Proteja su cable de extensión contra los objetos afilados, el calor excesivo o las áreas húmedas o mojadas.

Utilice un circuito eléctrico separado para sus herramientas eléctricas. Los cables de este circuito deben ser alambres de calibre superior a 14 y el mismo debe estar protegido con un fusible retardado o con un cortacircuitos de 15 amperios. Antes de conectar la herramienta eléctrica a la fuente de corriente, verifique que el interruptor esté en posición de "APAGADO" y que la fuente de corriente sea la misma que se indica en la placa de datos. Si el motor funciona a un voltaje menor, puede sufrir daños.

ADVERTENCIA

Repare o reponga los cables de extensión dañados de inmediato.

Escoja el calibre y la longitud adecuados del cable de extensión empleando la tabla de abajo.

CALIBRE MÍNIMO PARA CABLES DE EXTENSIÓN (AWG) (Uso exclusivo de 12 voltios)					
Capacidad en amperios		Longitud total en pies			
Más de	No más de	25'	50'	100'	150'
0	6	18	16	16	14
6	10	18	16	14	12
10	12	16	16	14	12
12	16	14	12	No se aplica	

ADVERTENCIA

Mantenga el cable de extensión fuera del área de trabajo. Ubique el cable de modo que no se enganche con la pieza de trabajo, la herramienta ni con cualquier otro objeto mientras usted esté usando la herramienta eléctrica.

ACCESORIOS

ACCESORIOS DISPONIBLES

ADVERTENCIA

Use sólo los accesorios recomendados para esta herramienta de corte. Siga las instrucciones que vienen con los accesorios. El uso de accesorios inadecuados puede causarle lesiones al usuario o dañar la herramienta de corte.

Visite el Departamento de Herramientas de Sears o vea el Catálogo de herramientas eléctricas y de mano de Sears para encontrar el surtido de accesorios sugeridos para esta herramienta:

- Propulsor flexible
- Guía para desbastar
- Brocas espirales de corte de 1/8"
- Accesorios de bricolaje de 1/8" para herramientas giratorias
 - Sierras
 - Pulidores
 - Lijas
 - Muelas
- Casi todas las fresas con vástago de 1/4"

ADVERTENCIA

Use sólo los accesorios diseñados para esta herramienta de corte, para evitar lesiones serias o daños a la herramienta.

No utilice ningún accesorio a menos que haya leído por completo las instrucciones o el Manual del propietario de tal accesorio.

CONTENIDO DE LA CAJA

DESEMPAQUE Y VERIFICACIÓN DEL CONTENIDO DE LA CAJA

ADVERTENCIA

Si falta alguna pieza o si la misma está dañada, no conecte la herramienta de corte a la fuente de corriente hasta volver a colocar la pieza faltante o dañada y completar el montaje.

Desempaque cuidadosamente la herramienta de corte y todas sus partes. Compárelas con la tabla de "Componentes de la herramienta de corte" de abajo. **NOTA:** Las partes se ilustran en la página 7.

ADVERTENCIA

Nunca use gasolina, nafta, acetona, disolvente de esmaltes u otros solventes altamente volátiles para limpiar la herramienta de corte, con el fin de evitar incendios o reacciones tóxicas.

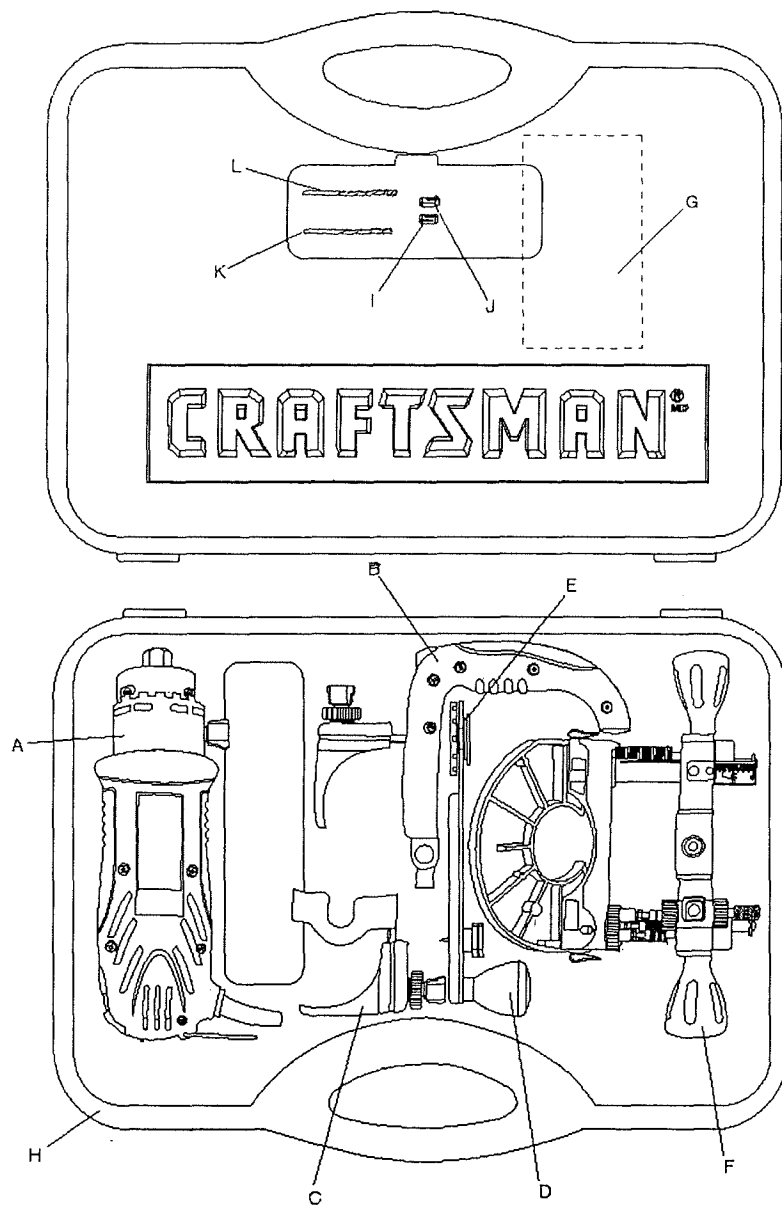
COMPONENTES DE LA HERRAMIENTA DE CORTE

LETRA	DESCRIPCIÓN	CT.
Interior del estuche portátil		
A	Herramienta de corte	1
B	Asa de precisión con bancada	1
C	Accesorio de bancada de manos libres	1
D	Accesorio para cortes circulares	1
E	Adaptador de instalación para cortes circulares	1
F	Accesorio de base de fresado	1
G	Manual del propietario	1
H	Estuche portátil	1
M	Llave del mandril	1
N	Soporte de la llave del mandril	1
Compartimiento de la tapa frontal		
J	Mandril de pinza de 1/8"	1
J	Mandril de pinza de 1/4"	1
K	Sierra para pirca de corte lateral	1
L	Sierra para madera / plástico / fibra de vidrio	1

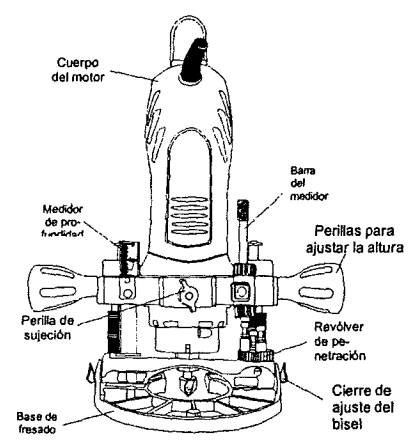
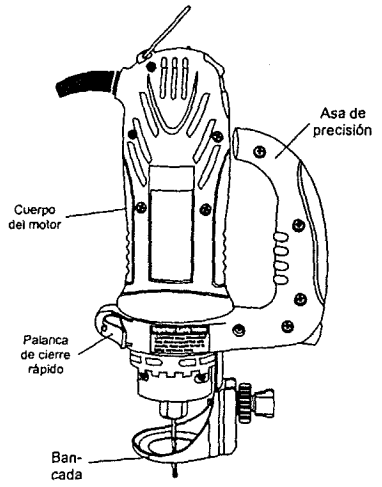
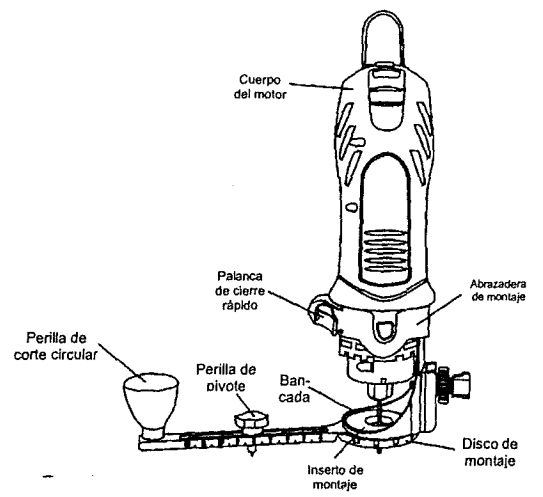
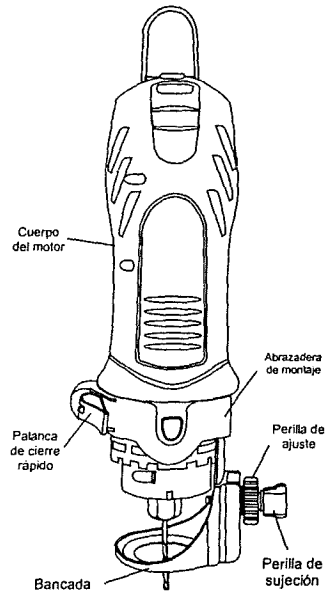
NOTA: Esta herramienta viene con las dos sierras más populares (piezas K y L). Es importante que use la sierra correcta para obtener la acción de corte más eficaz.

- Use la sierra "K" con la espiral más basta para cortar pirca.
- Use la sierra "L" para todo uso, con la espiral fina, para cortar materiales como la madera, el plástico y la fibra de vidrio.

CONTENIDO DE LA CAJA



FAMILIARÍCESE CON SU HERRAMIENTA DE CORTE



MONTAJE Y OPERACIÓN

ADVERTENCIA

Retire el enchufe de la fuente de corriente antes del montaje, cambio de accesorios o de sierras y antes de hacer los ajustes. Esta acción de seguridad le ayudará a evitar el encendido accidental de la herramienta, que podría causar lesiones severas.

INTERRUPTORES DE ENCENDIDO/APAGADO Y DE CONTROL DE LA VELOCIDAD

Esta herramienta de corte viene con un interruptor deslizante de ENCENDIDO/APAGADO (1) en uno de sus lados y un control de velocidad (2) arriba de la herramienta (vea la figura 1).

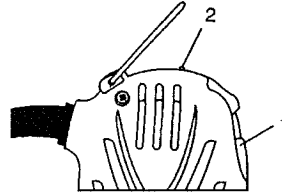


Fig. 1

1. Suba el interruptor (1) para ENCENDER la herramienta.
2. Baje el interruptor para APAGAR la herramienta.
3. Para subir la velocidad al máximo, deslice el control de velocidad (2) lejos del interruptor de ENCENDIDO / APAGADO.
4. Para bajar la velocidad, deslice el control de velocidad (2) hacia el interruptor de ENCENDIDO / APAGADO.

MONTAJE DE BROCAS DE CORTE

ADVERTENCIA

Las superficies cortantes de la broca para la herramienta de corte y de la fresa son muy filosas. Manipúlelas con cuidado.

Utilice la llave para el mandril de pinza para insertar la broca de la herramienta de corte. La llave se encuentra en su soporte, fijado al cable de corriente.

1. Pulse el botón de cierre del vástago (1) y gire la tuerca de cierre del mandril de pinza (2) en sentido horario con la otra mano hasta que el botón de cierre calce en su sitio, evitando que el vástago gire (ver la fig. 2).

MONTAJE DE BROCAS DE CORTE – Continuación

2. Siga pulsando HACIA ADENTRO el botón de cierre del vástago mientras hace girar la tuerca del mandril de pinza en sentido contra las agujas del reloj con la llave del mandril de pinza (3). Gire 2 o 3 vueltas la tuerca del mandril de pinza para aflojarlo.
3. Si la herramienta tiene una broca ya instalada, retírela.
4. Inserte la broca espiral nueva (4) en el mandril de pinza.

ADVERTENCIA

Inserte toda la broca en el mandril de pinza y luego sáquela entre $\frac{1}{16}$ " y $\frac{1}{8}$ ". Esto crea un espacio vacío entre el vástago del motor y la broca que evita que la misma se recaliente.

Antes de apretar el mandril de pinza sobre la broca, verifique que se puedan ver todos los canales de la broca (las partes espiraladas) fuera del mandril de pinza. Si el mandril de pinza se cierra sobre los canales de la broca las mismas se pueden partir y pueden causar daños.

5. Cuando la broca esté bien colocada en el mandril de pinza, pulse el botón de cierre del vástago y haga girar la tuerca del mandril de pinza en sentido horario con la mano tanto como sea posible.
6. Apriete bien la tuerca del mandril de pinza con la llave.

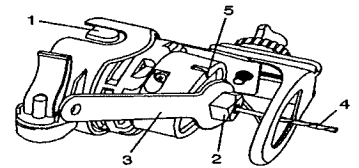


Fig. 2

LÁMPARAS DE TRABAJO

La unidad del motor tiene dos lámparas de trabajo integradas (5) (vea la fig. 2). Estas lámparas se encienden automáticamente al pasar el interruptor del motor. Los patrones o dibujos cercanos a la broca se iluminan para verlos mejor y cortarlos con precisión.

ESCOJA LA VELOCIDAD DEBIDA DEL MOTOR

La selección correcta de la velocidad del motor garantizará una acción de corte más pareja y eficaz.

MONTAJE Y OPERACIÓN

Use la velocidad BAJA cuando desbaste, corte plásticos, pule y use cepillos de alambre o de cerdas. Use la ALTA velocidad cuando corte madera, use sierras de corte y para "callar" el ruido al cortar ciertos materiales a BAJA velocidad.

RECAMBIO DEL INSERTO DEL MANDRIL DE PINZA

Las brocas de esta herramienta quedan fijas por medio de la tuerca del mandril de pinza (1) y del mandril de pinza (ver la fig. 3). La herramienta viene de fábrica SIN un mandril de pinza instalado. Tanto el mandril de pinza de 1/8" como el de 1/4" se encuentran en el compartimiento de la tapa frontal. El mandril de pinza de 1/8" (2) se usa para las brocas de herramientas para bricolaje. Se incluye un mandril de pinza adicional de 1/4" (3) para sostener las brocas PEQUEÑAS con vástago de 1/4".

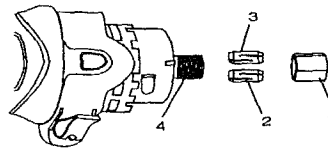


Fig. 3

Cómo cambiar un mandril de pinza de un tamaño por el otro:

1. Retire la broca de la herramienta.
2. Continúe girando la tuerca del mandril de pinza en sentido contrario a las agujas del reloj hasta que la pueda retirar del vástago del motor (4).
3. Saque el mandril de pinza del vástago del motor y cámbielo por el otro mandril.
NOTA: Ambos mandriles de pinza tienen **extremos idénticos**, por lo que se pueden colocar en cualquier sentido sobre el vástago del motor.
4. Vuelva a colocar la tuerca del mandril de pinza y apriétela ligeramente a mano.
5. Instale la nueva broca tal como se indica en **MONTAJE DE BROCAS PARA HERRAMIENTA DE CORTE** en la página 9.

NOTA: Si el mandril de pinza se aprieta sin una broca dentro del mismo, la abertura del mandril se puede reducir y dificultar la montura de las brocas. Cuando guarde la herramienta sin brocas en el mandril, deje floja la tuerca del mismo.

BANCADA DE MANOS LIBRES

MONTAJE DE LA BANCADA DE MANOS LIBRES

La bancada de manos libres está diseñada para el corte básico de manos libres con la broca espiral. Es ideal para abrir los orificios para tomacorrientes en pirca.

ADVERTENCIA

NO use la bancada de manos libres con fresas. El control limitado que le ofrece este accesorio le puede hacer perder el control y aumentar la posibilidad de sufrir lesiones serias.

1. Deslice la abrazadera de montaje de la bancada de manos libres (1) sobre la parte inferior del cuerpo del motor (2) hasta que el orificio de montaje (3) se alinee con el botón de cierre del eje (4) que está en el cuerpo del motor.
NOTA: La abrazadera de montaje debe pasar tan como sea posible sobre el cuerpo del motor.
2. Fije la bancada al cuerpo del motor moviendo la palanca de cierre rápido (5) firmemente contra el cuerpo del motor.

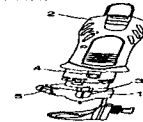


Fig. 4

AJUSTE DE LA BANCADA DE MANOS LIBRES

1. Ajuste la profundidad de la bancada de manos libres aflojando la perilla del medidor de profundidad (6) y girando la perilla de ajuste (7) para subir o bajar la bancada según se requiera (vea la fig. 5).
NOTA: Fije el medidor de profundidad de forma que la broca espiral sobresalga de la bancada 1/8" más allá del grosor del material que se corte. Por ejemplo, si corta pirca de 5/8", la broca debe sobresalir 3/4" más allá de la bancada.
2. Apriete bien la perilla del medidor de profundidad.
3. Antes de comenzar el corte, verifique la profundidad de la broca, y que la bancada esté en ángulo recto respecto a la misma y esté bien sujeta. Vuelva a revisar el mandril de pinza para asegurarse de que la broca esté bien sujeta.

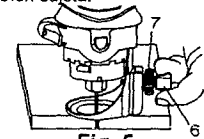


Fig. 5

⚠ ADVERTENCIA

¿Ya leyó "SEGURIDAD CON HERRAMIENTAS ELÉCTRICAS", "SEGURIDAD CON LA HERRAMIENTA DE CORTE" y "REQUISITOS DE SEGURIDAD" en las páginas 3, 4 y 5 de este Manual? Si no lo hizo, hágalo antes de operar esta sierra espiral. ¡Su seguridad depende de ello!

Cada vez que use la herramienta de corte, debe verificar lo siguiente:

1. Que el cable de la herramienta no esté dañado.
2. Que la broca sea la correcta para el material.
3. Que la broca esté afilada, en buen estado y bien montada y sujeta.
4. El uso de gafas de seguridad y mascarilla contra el polvo.

El no cumplir estas reglas de seguridad puede aumentar su riesgo de sufrir lesiones.

PRACTIQUE LOS CORTES CON LA BANCADA DE MANOS LIBRES

Antes de intentar trabajar en un proyecto, tómese el tiempo de practicar varios cortes con su herramienta de corte. Use material de desecho idéntico al material que usará en su proyecto.

1. Dibuje un patrón igual al de su primer proyecto en el material de desecho.
2. Monte la bancada de manos libres tal como en la fig. 4.
3. Instale la broca espiral en el mandril tal como en la fig. 2.
4. Ajuste la profundidad de la bancada tal como en la fig. 5.
5. Apoye el borde de la bancada sobre la pieza de trabajo con la broca a un ángulo de unos 45° (ver la fig. 6).

NOTA: NO permita que la broca toque la pieza de trabajo hasta que el interruptor esté ENCENDIDO y la herramienta tenga la velocidad adecuada.

⚠ ADVERTENCIA

Antes de ENCENDER la herramienta, asegúrese de sostenerla firmemente con ambas manos. El torque del encendido puede hacer que la herramienta se retuerza.

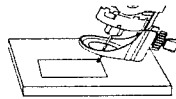


Fig. 6

6. Fije el interruptor de velocidad a la velocidad debida.
7. Pase el interruptor a la posición de ENCENDIDO.
8. Cuando el motor alcance la velocidad debida, mueva lentamente la herramienta a una posición derecha, dejando que la broca corte la pieza de trabajo (ver la fig. 7). Cuando la herramienta esté derecha y la broca haya perforado la pieza de trabajo, mueva lentamente la herramienta en sentido horario con una presión pareja para hacer el corte.
NOTA: Corte siempre en sentido horario salvo cuando abra orificios para los tomacorrientes.
9. Al completar el corte, APAGUE la herramienta, espere a que se detenga por completo y sáquela del material de trabajo.

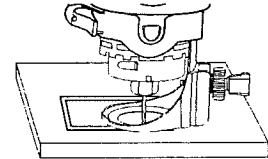


Fig. 7

⚠ PELIGRO

No intente abrir orificios para tomacorrientes en pirca hasta que:

1. Se haya interrumpido toda la electricidad a los cables eléctricos circundantes, bien sea APAGANDO el cortacircuitos o retirando los fusibles.
2. Haya leído las instrucciones en la página siguiente sobre "APERTURA DE ORIFICIOS PARA TOMACORRIENTES EN PIRCA".

CONSEJOS DE CORTE

La acción giratoria de la broca hace que la herramienta tire un poco hacia la izquierda cuando hace los cortes. Las variaciones naturales en la estructura de la madera hacen que la herramienta "camine". Esta tendencia se exagera cuando se aplica mucha presión a la broca. El corte más lento le permite un mejor control. Demasiada presión o un corte muy rápido aumentará la temperatura de la broca y acortará su duración.

Cuando abra un orificio en una superficie vertical, evite terminar la apertura en el fondo del orificio. Comience y termine siempre en el "tope" del mismo para que la pieza cortada no caiga sobre la broca en movimiento. APAGUE siempre la herramienta antes de sacarla de la pieza de trabajo.

MONTAJE Y OPERACIÓN

APERTURA DE ORIFICIOS PARA TOMACORRIENTES EN PIRCA

⚠ PELIGRO

No intente usar esta herramienta para hacer aberturas cerca de cualquier aparato o apertura que tenga cables con corriente o sobre cualquier pared que tenga cables eléctricos detrás de la misma. Al entrar en contacto con un cable con corriente, la broca transmitirá la electricidad a la herramienta, sometiendo al usuario al riesgo de sufrir un choque eléctrico. APAGUE el cortacircuitos o retire los fusibles para desconectar el circuito eléctrico en el área de trabajo. Sostenga siempre la herramienta por su cuerpo aislado cuando trabaje en áreas donde exista la posibilidad de tocar cables con corriente. Proteja siempre su vista cuando use esta herramienta.

1. Antes de instalar la pirca, empuje los cables tan atrás de la caja como sea posible para que la broca no los corte cuando abra el orificio.
2. Antes de colocar la lámina de pirca sobre la caja de electricidad, marque la lámina tan cerca del centro de la abertura de la caja como sea posible. La marca deberá estar del lado de la pirca que esté frente a usted.
3. Cuando fije la pirca, no coloque clavos o tornillos a menos de 12" de la caja. Esto evitará que la pirca se deforme debido a la presión.
4. Inserte la herramienta de corte y monte la bancada de manos libres tal como lo indican las páginas 9 y 10 de este Manual del propietario. Ajuste la profundidad de corte para que la broca sobresalga $\frac{1}{8}$ " más allá del grosor de la pirca.
5. Sostenga firmemente la herramienta con ambas manos y ENCIÉNDALA. Introduzca la broca a través de la pirca en la marca que indica el centro de la caja. La fig. 8 muestra el patrón de corte.

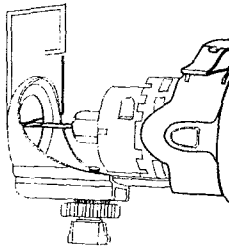


Fig. 8

APERTURA DE ORIFICIOS PARA TOMACORRIENTES EN PIRCA – Continuación

6. Mueva la broca lentamente a la derecha hasta sienta y oiga que la misma toca el interior de la
7. Saque la broca lo suficiente para poderla deslizar sobre el borde de la caja. Cuando la broca esté de la caja, vuélvala a insertar completamente al del borde externo de la caja.
8. Mueva la herramienta hacia arriba con una presión ligera hacia el centro de la caja. Cuando sienta la broca alcance la esquina superior derecha de la caja, muévala hacia la izquierda, aplicando una presión ligera hacia el centro de la misma.
9. Continúe moviendo la herramienta alrededor de la caja en sentido contrario a las agujas del reloj mientras hace una presión liviana hacia el centro de la caja. Al completar el orificio de la caja, APAGUE la herramienta y sáquela del orificio.
10. El orificio terminado del tomacorrientes quedará rematado en forma limpia y precisa (ver la fig. 9)

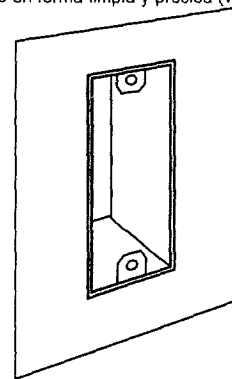


Fig. 9

NOTA: Mueva siempre la broca en sentido contrario las agujas del reloj alrededor de la caja del tomacorrientes. La tendencia natural de la broca a moverse a la izquierda facilitará cortar más cerca de la caja.

MONTAJE Y OPERACIÓN

ASA DE PRECISIÓN

MONTURA DEL ASA DE PRECISIÓN

El asa de precisión está diseñada para cuando se desea tener un control preciso del movimiento de la herramienta. Esta asa cómoda se puede usar con cualquiera de las dos manos.

1. Deslice la abrazadera de montaje del asa de precisión (1) sobre la parte inferior del cuerpo del motor (2) hasta que el orificio bajo el asa (3) se alinee con el botón de cierre del eje (4) que está en el cuerpo del motor.
NOTAS: a) La abrazadera de montaje debe pasar tanto como sea posible sobre el cuerpo del motor.
b) El botón de cierre del eje (5) se puede oprimir con el pulgar mientras se sostiene el asa de precisión.
2. Fije el asa de precisión al cuerpo del motor moviendo la palanca de cierre rápido (5) firmemente contra el cuerpo del motor.

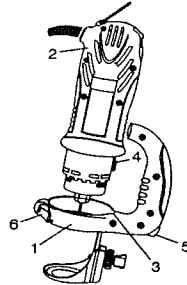


Fig. 10

AJUSTE DE LA BANCADA DE MANOS LIBRES

1. Ajuste la profundidad de la bancada del asa de precisión aflojando la perilla del medidor de profundidad (7) y girando la perilla de ajuste (8) para subir o bajar la bancada (9) según se requiera (vea la fig. 11).
NOTA: Regule la profundidad de modo que la broca sobresalga $\frac{1}{8}$ " más allá del grosor del material de corte. Por ejemplo, si corta madera de pino de $\frac{3}{4}$ ", la broca debe sobresalir $\frac{1}{8}$ " más allá de la bancada.
2. Apriete bien la perilla del medidor de profundidad.
3. Antes de iniciar el corte, revise la profundidad de la broca, verifique que la bancada esté perpendicular a la broca y que esté bien sujeta. Vuelva a revisar el mandril de pinza para verificar que la broca esté bien sujeta.

AJUSTE DE LA BANCADA DE MANOS LIBRES – Continuación

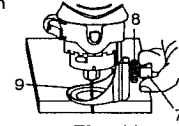


Fig. 11

CORTADOR DE CÍRCULOS

MONTAJE DEL CORTADOR DE CÍRCULOS

El accesorio para cortar círculos es ideal para cortar círculos precisos. Este cortador de círculos puede montarse tanto en la bancada de manos libres como en la bancada del asa de precisión. La ilustración muestra el cortador de círculos montado en la bancada de manos libres.

1. Instale la bancada de manos libres a la herramienta como se muestra en la página 10 de este Manual del propietario.
2. Introduzca el inserto para montar el cortador de círculos con rosca externa (1) al fondo de la bancada (2) (ver la fig. 12).
NOTA: Verifique que la "D" moldeada del inserto caiga dentro de la "D" que le corresponde en la bancada.
3. Coloque el orificio de montura del cortador de círculos (3) sobre el inserto de montura del cortador de círculos con rosca externa.
NOTA: Verifique que el pin afilado de pivote (4) apunte lejos de la herramienta.
4. Enrosque el disco de montura del cortador de círculos con rosca interna (6) al inserto de montura con rosca externa y apriételes a mano.
NOTA: No apriete demasiado las partes de plástico para montar el cortador de círculos. Apriételas sólo lo necesario.
5. Ajuste el radio del cortador de círculos aflojando la perilla puntiaguda de pivote (5), deslizando la al radio correcto del círculo y volviéndola a apretar en el sitio deseado.
NOTA: Revise el ajuste del radio del cortador de círculos midiendo el mismo desde el punto del pivote hasta la parte exterior de la broca espiral.

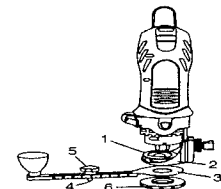


Fig. 12

CORTADOR DE CÍRCULOS

OPERACIÓN DEL CORTADOR DE CÍRCULOS

ADVERTENCIA

Desconecte la herramienta de la fuente de corriente antes de cambiar los accesorios, cambiar la broca y hacer los ajustes.

Antes de ENCENDER la herramienta, revise y asegúrese de que la broca y todos los retenes de accesorios estén bien sujetos.

1. Marque el centro del círculo que desea cortar en la pieza de trabajo y perforo un orificio piloto de 6 mm o de $\frac{15}{64}$ ".
2. Ajuste la profundidad de la broca espiral $\frac{1}{8}$ " más allá del grosor del material que va a cortar (vea la Fig. 5).
3. Ajuste el radio del cortador de círculos aflojando la perilla puntiaguda de pivote, deslizándola al radio correcto del círculo y volviéndola a apretar en el sitio deseado.

NOTA: Revise el radio del cortador de círculos midiéndolo desde el punto del pivote hasta la parte exterior de la broca espiral.

4. Apoye el borde de la bancada sobre la pieza de trabajo, con la broca inclinada a unos 45° (ver la fig. 13). Inserte la punta de pivote del cortador de círculos en el orificio piloto perforado en el centro del círculo.

NOTA: NO permita que la broca haga contacto con la pieza de trabajo antes de haber ENCENDIDO el interruptor y de que la herramienta alcance la velocidad debida.

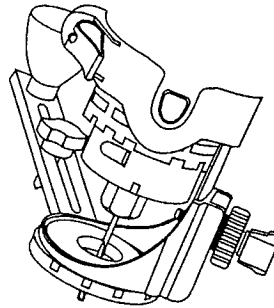


Fig. 13

OPERACIÓN DEL CORTADOR DE CÍRCULOS – Continuación

5. Pase el interruptor a la posición de ENCENDIDO.
6. Cuando el motor llegue a la velocidad debida, enderece lentamente la herramienta y el montador de círculos, dejando que la broca penetre en la pieza de trabajo (ver la fig. 14). Tenga cuidado de mantener la punta de pivote ubicada en el centro del círculo que debe cortar. Cuando se enderece la herramienta y la broca haya traspasado la pieza de trabajo, mueva la herramienta lentamente en sentido horario con una presión sostenida para hacer el círculo. Continúe cortando el círculo, manteniendo la herramienta derecha y girando alrededor del pivote del cortador de círculos.
7. Al completar el corte, APAGUE la herramienta, a que se detenga por completo y retírela de la pieza de trabajo.

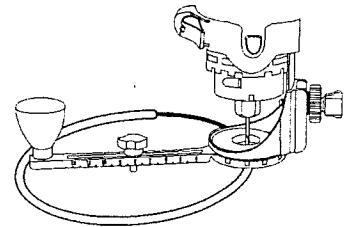


Fig. 14

MONTAJE Y OPERACIÓN

BASE DE FRESADO PENETRANTE

El accesorio de fresado convierte a su herramienta de corte en un fresador penetrante de bricolaje capaz de usar fresas pequeñas con vástago de 1/4", así como la broca espiral de corte. Su base inclinable es ideal para los cortes biselados. La característica de penetración le permite fijar de antemano hasta tres profundidades de corte distintas.

ADVERTENCIA

Desconecte la herramienta de la fuente de corriente antes de cambiar los accesorios, cambiar la broca y hacer los ajustes.

Antes de ENCENDER la herramienta, revise y asegúrese de que la broca y todos los retenes de accesorios estén bien sujetos.

MONTAJE DEL ACCESORIO DE FRESADO

1. Retire todo accesorio previamente instalado.
2. Deslice la abrazadera para montar el accesorio de fresado (1) sobre el fondo del cuerpo del motor (2) hasta que el orificio de montura (3) quede alineado con el orificio de la abrazadera de montura (vea la fig. 15).
NOTA: El orificio elevado de la abrazadera de montura se deslizará sobre el botón de cierre del eje del motor.
3. Vuelva a colocar la perilla de sujeción del accesorio (4) en el cuerpo del motor y apriétela bien.

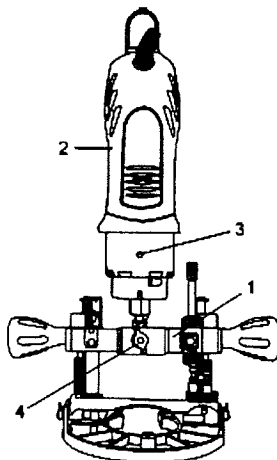


Fig. 15

AJUSTE DE LA PROFUNDIDAD DE FRESADO PARA FRESADO FIJO

La profundidad de corte se controla haciendo subir y bajar la base de fresado sobre la barra de guía, y fijándola en su sitio.

1. Haga subir la barra para medir la profundidad del fresador penetrante, girando la tuerca de sujeción inferior del medidor de profundidad (1) en sentido contrario a las agujas del reloj hasta que quede al fondo de la barra (2) (vea la fig. 16). Oprima el botón de cierre rápido del medidor de profundidad (3) y suba la barra del medidor de profundidad al máximo, soltando luego el botón.
2. Gire el revólver penetrante (4) hasta que el tornillo medidor más corto quede debajo de la barra del medidor de profundidad (2).
3. Afloje ambas perillas para ajustar la altura (5) en sentido contrario a las agujas del reloj.
NOTA: Sólo afloje las perillas lo suficiente para liberar la tensión de las barras de guía (6).
4. Suba o baje la base de fresado (7) hasta obtener la profundidad de corte deseada.
5. Al obtener la profundidad deseada, vuelva a apretar ambas perillas para ajustar la altura.

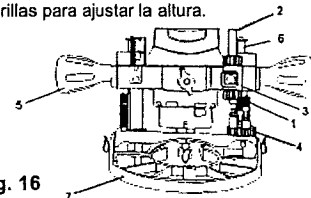


Fig. 16

AJUSTE DE LA PROFUNDIDAD DE PENETRACIÓN

Se puede establecer hasta tres profundidades de perforación por adelantado, empleando la barra del medidor de profundidad y el revólver penetrante. Ésto le permite alternar fácilmente los ajustes de profundidad.

1. Gire la tuerca de sujeción del medidor de profundidad inferior (1) hasta el fondo de la barra, y la tuerca del medidor de profundidad superior (2) hasta el tope de la barra (3) (vea la fig. 17).
2. Oprima el botón de cierre rápido del medidor de profundidad (4) y suba la barra del medidor de profundidad al máximo, soltando luego el botón.
3. Gire el revólver penetrante (5) hasta que el tornillo más corto del medidor quede bajo la barra del medidor de profundidad.

MONTAJE Y OPERACIÓN

BASE DE FRESADO PENETRANTE - Continuación

AJUSTE DE LA PROFUNDIDAD DE PENETRACIÓN - Continuación

- Aloje ambas perillas para ajustar la altura (6) girándolas en sentido contrario a las agujas del reloj.
NOTA: Sólo afloje las perillas lo suficiente para liberar la tensión de las barras de guía (7).
- Suba o baje la base de fresado (8) hasta obtener la profundidad de corte deseada.
- Al obtener la profundidad deseada, vuelva a apretar ambas perillas para ajustar la altura.
- Oprima el botón de cierre rápido del medidor de profundidad y baje la barra del medidor hasta que toque el tornillo medidor del revólver (9). Después que suelte el botón de cierre rápido, puede hacer mayores ajustes moviendo la barra del medidor de profundidad.
- Apriete las tuercas inferior (1) y superior (2) del medidor de profundidad contra el cuerpo del fresador para fijar la barra del medidor de profundidad en su sitio.
NOTA: No use alicates para apretar las tuercas de sujeción. Sólo apriete las tuercas de sujeción a mano.
- Fije el tornillo medidor más corto del revólver apretando la tuerca de sujeción (10).
NOTA: No apriete demasiado la tuerca de sujeción.
- Afloje ambas perillas para ajustar la altura, lo suficiente para que el fresador se deslice libremente hacia arriba y hacia abajo sobre las barras de guía.
- Se pueden ajustar previamente dos profundidades más en forma parecida, ajustando los otros dos tornillos medidores del revólver a la profundidad deseada.
NOTA: Para escoger la profundidad predeterminada que desee, tan sólo gire el revólver hasta que el tornillo medidor del revólver quede alineado bajo la barra del medidor de profundidad.

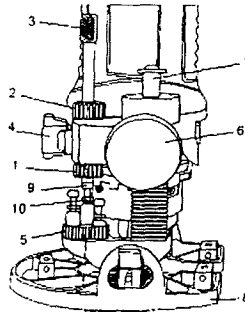


Fig. 17

AJUSTE DE LA INCLINACIÓN DE LA BASE DE FRESADO

Se pueden hacer cortes biselados con la broca de corte inclinando la base de fresado al ángulo deseado.

- Suelte ambos seguros de ajuste de bisel (1) tirándolos hacia fuera de la base de fresado (2) (véase la fig. 18).
- Incline la base de fresado al ángulo deseado.
NOTA: Existen muescas para fijar la base de fresado a 0°, 15°, 30° y 45°. Estos son los cuatro ángulos de fresado en bisel más comunes.
- Fije ambos seguros de ajuste de bisel presionándolos de nuevo hacia la base de fresado.
- Verifique el ángulo entre la base de fresado y la broca espiral para asegurarse que el ángulo sea el correcto.
- Revise la profundidad del corte del fresador y reajústela si es necesario.
NOTA: Por lo general, para los cortes biselados se debe aumentar la profundidad del corte al inclinar la base de fresado.

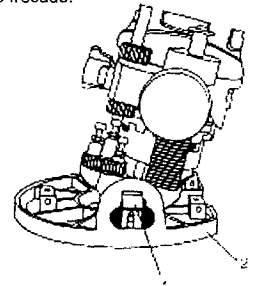


Fig. 18

MONTAJE Y OPERACIÓN

BASE DE FRESADO

CORTE Y FRESADO A MANOS LIBRES

Cuando se instala el accesorio de la base de fresado en la herramienta de corte, la misma funciona como una fresadora pequeña que se usa para el corte a manos libres de formas irregulares. Usted puede cortar formas de la pieza de trabajo con la herramienta de corte o fresar la pieza con las formas que quiera empleando fresas pequeñas.

CORTE A MANOS LIBRES

1. Ajuste la profundidad de la broca de corte $\frac{1}{8}$ " más allá del grosor del material que se va a cortar.
2. ENCIENDA el interruptor mientras sostiene firmemente la herramienta.
3. Cuando inicie el corte dentro de la pieza de trabajo, coloque la broca inclinada para permitir que la misma se abra paso en la pieza de trabajo (vea la fig. 6).
4. Use las dos perillas de ajuste de altura para guiar la broca a través de la pieza de trabajo.

FRESADO A MANOS LIBRES

Use la base de fresado con fresas pequeñas para varios proyectos de fresado a manos libres (vea la fig. 19).

1. Retire el mandril de pinzas de $\frac{1}{8}$ " e inserte el mandril de pinzas de $\frac{1}{4}$ " (vea la fig. 3).
2. Instale la fresa y asegúrela bien.
3. Ajuste la altura de la base de fresado a la profundidad deseada.
4. ENCIENDA el interruptor verificando que la fresa no esté en contacto con nada.
5. Sostenga la herramienta por las dos perillas de ajuste de la altura, bajándola cuidadosamente sobre la pieza de trabajo y guiando la fresa alrededor de la forma deseada.

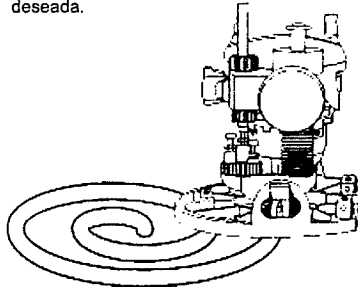


Fig. 19

CORTE DE UNA LÍNEA RECTA CON BORDE DERECHO

Se puede usar una plantilla de borde recto para guiar la base de fresado y cortar una línea recta.

1. Dibuje la línea en el sitio de la pieza en donde desea hacer el corte (vea la fig. 20).
2. Dibuje una segunda línea paralela unas $2 \frac{1}{8}$ " más allá en la pieza de trabajo (alejada de la línea de corte).
3. Asegure la plantilla de borde recto a la parte de la pieza de trabajo que deba asegurar mientras hace el corte.
4. Coloque el lado plano de la base de fresado contra el borde recto, con la fresa cerca del inicio de la línea de corte.
NOTA: Revise la posición de la fresa para verificar que se corte en el sitio indicado.
5. ENCIENDA el interruptor mientras sostiene la herramienta firmemente.
6. Deslice la base de fresado contra el borde recto mientras hace el corte.

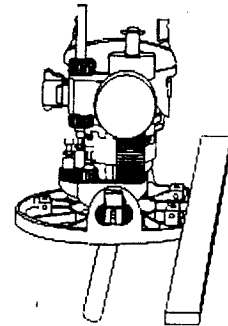


Fig. 20

MANTENIMIENTO Y OPERACIÓN

BASE DE FRESADO PENETRANTE

CORTE DE LÍNEAS CURVAS CON PLANTILLA

Se puede usar una plantilla curva para guiar la base de fresado y cortar líneas curvas.

1. Haga una plantilla de cartón grueso o de un material parecido con la forma que requiera (vea la fig. 21).
NOTA: El radio de la curva debe ser mayor a $2 \frac{1}{16}$ " para que la base de fresado pueda seguir bien la plantilla curva.
2. Marque el sitio donde hará el corte.
3. Marque la pieza de trabajo unas $2 \frac{7}{16}$ " más allá (lejos de la línea de corte).
4. Asegure la plantilla a la parte más grande de la pieza de trabajo que deba asegurar mientras hace el corte.
5. Coloque la parte curva de la base de fresado contra la plantilla, con la fresa cerca del inicio de la línea de corte.
NOTA: Revise la posición de la fresa para verificar que se corte en el sitio indicado.
6. ENCIENDA el interruptor mientras sostiene la herramienta firmemente.
7. Deslice la base de fresado contra la plantilla mientras hace el corte.

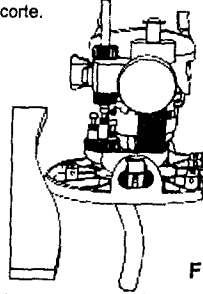


Fig. 21

MANTENIMIENTO

⚠ PELIGRO

Para su seguridad, **APAGUE** el interruptor y retire el enchufe del tomacorrientes antes de dar servicio a su herramienta de corte.

Utilice sólo piezas Craftsman idénticas para dar servicio. El uso de otras piezas puede crear riesgos o dañar el producto.

MANTENIMIENTO

LIMPIEZA EXTERNA

⚠ ADVERTENCIA

NO use solventes cuando limpie las partes plás. La mayoría de los plásticos pueden ser dañados diversos tipos de solventes comerciales y puede dañarse si los usa. Emplee un paño limpio para limpiar la suciedad, el polvo, el aceite, la grasa,

No permita que el líquido para frenos, la gasolina, productos a base de petróleo, los aceites penetr etc. toquen las partes plásticas en ningún momento. Los mismos contienen químicos que pueden dañar o destruir al plástico.

LIMPIEZA INTERNA

Se sabe que las herramientas eléctricas sufren un desgaste acelerado y pueden fallar prematuramente cuando se emplean en botes y carros deportivos de vidrio, en pirca, compuestos para empujador o en i. Las partículas y el polvo de esos materiales son muy abrasivos sobre las piezas de las herramientas eléctricas como los cojinetes, los cepillos, los interruptores. Es de vital importancia que cuando se use con alguno de esos materiales, la herramienta se limpie frecuentemente con un chorro de aire comprimido.

⚠ PELIGRO

Es vital que use gafas o lentes de seguridad con protectores laterales y una mascarilla contra el polvo cuando limpie la herramienta de corte con chorro de aire comprimido. Puede sufrir lesiones permanentes a la vista o a los pulmones si no sigue estas precauciones de seguridad.

MANTENIMIENTO DEL CABLE DE CORRIENTE

⚠ ADVERTENCIA

Reponga el cable de inmediato si está desgastado, dañado en cualquier forma para evitar los choques y el riesgo de incendios.

LUBRICACIÓN

Todos los cojinetes de esta herramienta de corte tienen una cantidad suficiente de lubricante de alto grado para la vida de la unidad en condiciones normales de uso. Por lo tanto, no se requiere el uso de lubricante.

LISTA DE LAS PIEZAS – MODELO 183.172521

⚠ ADVERTENCIA

Use sólo piezas de recambio CRAFTSMAN cuando haga el servicio. El uso de otras piezas puede crear un RIESGO o dañar su taladro de mesa.

Cualquier intento de reparar o reemplazar las piezas eléctricas de este taladro de mesa puede causar riesgos salvo que un técnico calificado haga tal reparación. Se dispone del servicio de reparación contactando al Centro de Servicios de Sears más cercano a usted.

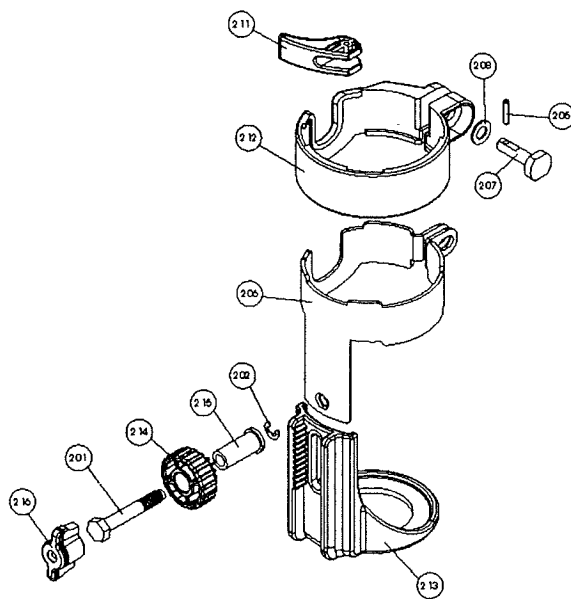
Haga siempre su pedido por NÚMERO DE PIEZA, y no por número de código

Unidad principal

# de cód.	# de pieza	Nombre de la pieza	Ctd.	# de cód.	# de pieza	Nombre de la pieza	Ctd.
1	01AR-000032-00	Manguito de cojinetes	1	44	03AT-000033-00	Bloque del terminal	1
2	01AR-000035-00	Botón del interruptor	1	48	03AT-000040-00	Terminal (hembra)	2
3	01AT-000014-A0	Tubos conectores	2	49	03AT-000046-00	Escobilla de carbón	2
5	01AT-000031-00	Tubos conectores	2	50	03AW-000131-00	Cable de corriente	1
10	02AE-000060-00	Cojinete frontal	1	53	03AY-000020-00	Cable	1
11	02AE-000061-00	Cojinete trasero	1	55	03AY-000073-00	Cable	2
12	02AK-000022-00	Remache	4	56	03AY-000074-00	Cable	2
13	02AH-000088-00	Resorte de la escobilla	2	59	04AP-000068-00	Fibra	1
14	02AH-000089-00	Resorte de husillo	1	62	2203-MA0003-00	Mandril de pinza de 1/4"	1
15	02AH-000112-00	Aro para colgar	1	62	2203-MA0004-00	Mandril de pinza de 1/8"	1
17	02AS-000199-A0	Tornillo del cuerpo	8	63	2203-MA0007-00	Chapa de sujeción	1
18	02AS-000201-A0	Tornillo	3	67	2207-MA0003-00	Retén de husillo	1
19	02AS-000260-00	Tornillo industrial	1	70	2213-MA0002-00	Conductor	2
22	02AW-000055-00	Arandela de sujeción	1	71	2213-MA0005-00	Tapa portabroca	1
23	03AA-000279-00	Transformador	1	72	2213-MA0006-00	Llave	1
24	03AC-000011-F0	Condensador	1	*	2213-SAM001-00	Montaje de escobilla	2
25	03AC-000043-00	Condensador	1	73	2213-MA0011-00	Conductor de metal	2
28	03AD-000009-A0	Diodo	4	74	2213-MA0012-00	Cuerpo de escobilla	2
29	03AD-000040-00	Diac	1	76	2213-MA0014-00	Cubierta de alambre	1
30	03AD-000074-00	LED	2	77	2213-MA0015-00	Placa de detención	1
31	03AD-000075-00	Triac	1	79	2203-PA0008-00	Banda porta-llave	1
34	03AM-000104-00	Estator	1	80	2207-PA0007-00	Cierre roscado B	1
35	03AM-000105-00	Rotor	1	81	2213-PA0022-00	Extremo del cuerpo	1
36	03AP-000073-00	PCB	1	82	2213-PA0023-00	Punta del cuerpo	1
36	03AP-000073-10	PCB	1	83	2213-PA0024-00	Cubierta del interruptor	1
37	03AP-000076-00	PCB	1	84	2213-PA0025-00	Botón de cierre	1
38	03AR-000013-A0	Resistencia	1	85	2213-PA0026-00	Cubierta	1
39	03AR-000015-D0	Resistencia	1	87	2213-PA0028-00	Interruptor 2P	1
40	03AR-000109-A0	Resistencia	3	91	9866-PA0004-00	Chapa de sujeción	1
41	03AS-000135-00	Microinterruptor	1	92	9920-PA0011-00	Mango del cable	1
42	03AS-000140-00	Interruptor	1				

PIEZAS – MODELO 183.172521

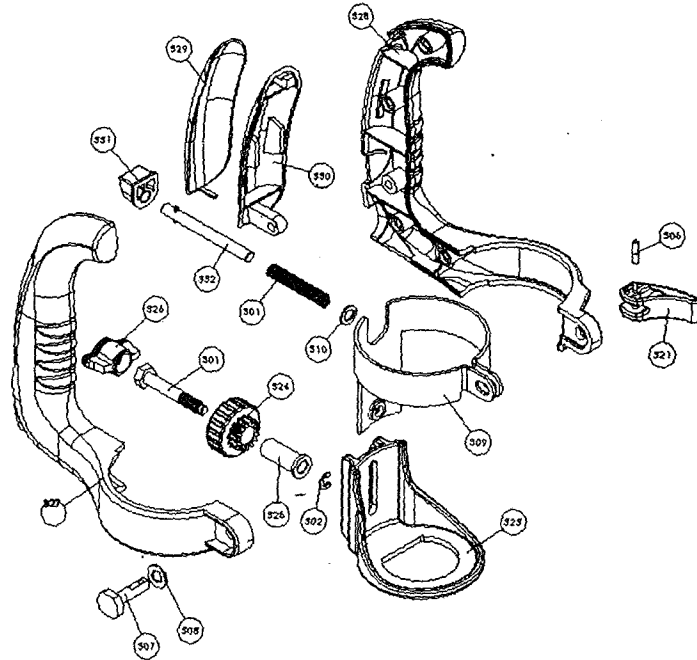
Montaje de la bancada de manos libres



# de cód.	# de pieza	Nombre de la pieza	Ctd.
201	02AF-000041-I0	Eje de sujeción	1
202	02AF-000076-00	Arandela de sujeción	1
203	02AS-000287-00	Tornillo	1
208	2213-MA0010-00	Guía circular de metal para cortes libres	1
211	2213-PA0010-00	Seguro	1
212	2213-PA0011-00	Abrazadera de sujeción	1
213	2213-PA0012-00	Base plástica de guía	1
214	2213-PA0013-00	Engranaje de ajuste 15T	1
215	2213-PA0014-00	Casquillo	1
216	2213-PA0015-00	Seguro roscado F	1

PIEZAS – MODELO 183.172521

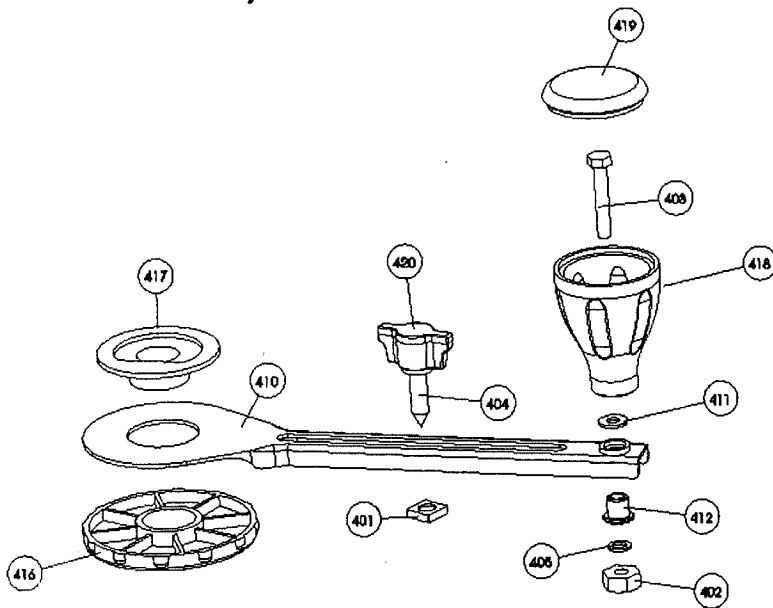
Montaje del asa



# de cód.	# de pieza	Nombre de la pieza	Ctd.
301	02AF-000041-10	Eje de sujeción	1
302	02AF-000076-00	Arandela de sujeción	1
304	02AH-000106-00	Resorte a presión	1
305	02AS-000148-00	Tornillo	2
306	02AS-000287-00	Tornillo	1
307	02AS-000288-00	Tornillo	3
310	02AW-000067-00	Arandela	1
312	2213-MA0013-00	Soporte S de la guía circular	1
321	2213-PA0010-00	Seguro	1
323	2213-PA0012-00	Base plástica de guía	1
324	2213-PA0013-00	Engranaje de ajuste 15T	1
325	2213-PA0014-00	Manguito	1
326	2213-PA0015-00	Seguro roscado F	1
327	2213-PA0016-00	Mitad derecha del asa	1
328	2213-PA0017-00	Mitad izquierda del asa	1
329	2213-PA0018-00	Agarradera flexible del asa (exterior)	1
330	2213-PA0019-00	Agarradera flexible del asa (interior)	1
331	2213-PA0020-00	Seguro simple	1
332	2213-PA0021-00	Eje F5-5	1

PIEZAS – MODELO 183.172521

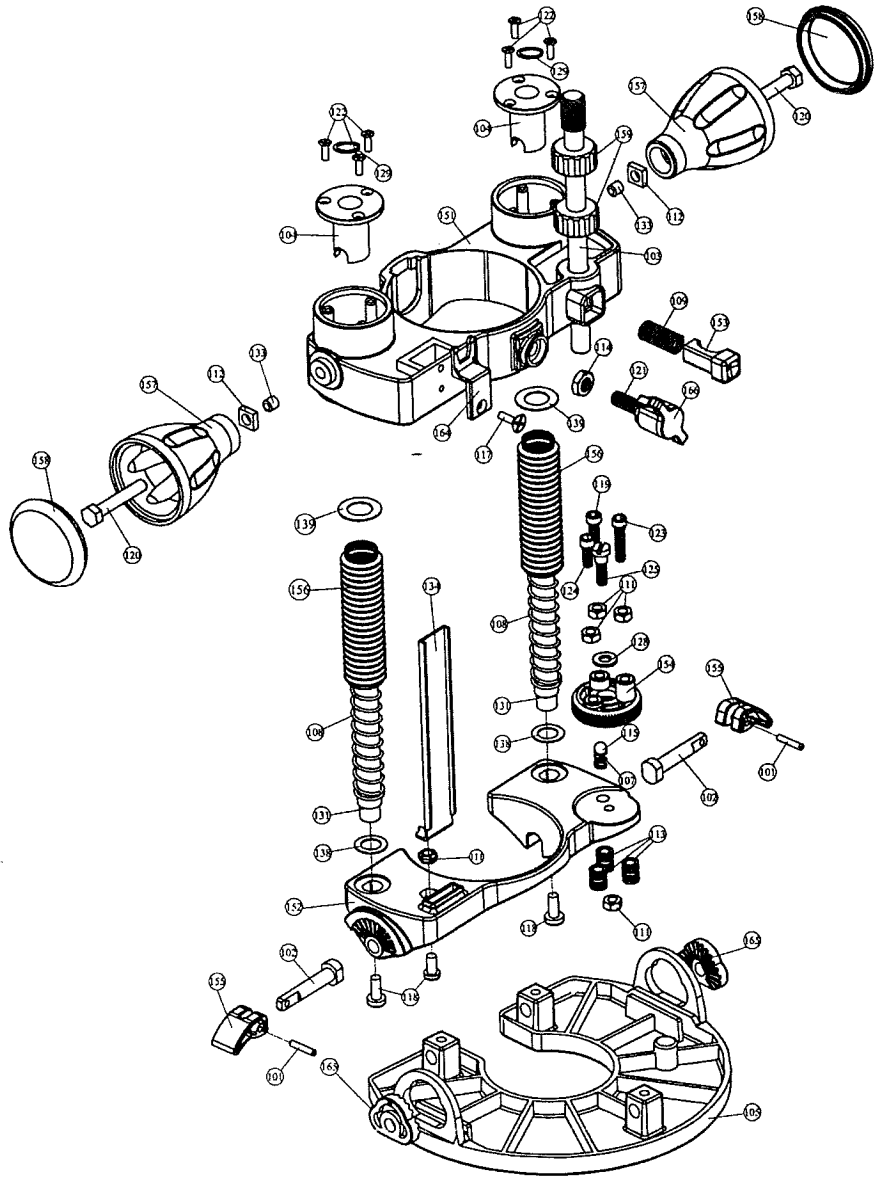
Montaje del cortador de círculos



# de cód.	# de pieza	Nombre de la pieza	Ctd.
401	02AN-000017-00	Tuerca cuadrada	1
402	02AN-000018-00	Tuerca hexagonal delgada	1
403	02AS-000258-00	Tornillo industrial	1
404	02AS-000272-00	Tornillo	1
405	02AW-000022-00	Arandela a presión	1
410	2206-MA0001-00	Brazo circular (métrico)	1
410	2206-MA0005-00	Brazo circular (imperial)	1
411	2206-MA0002-00	Arandela	1
412	2206-MA0003-00	Casquillo de la perilla	1
415	2206-PA0001-00	Fijador de distancias con pin central	1
416	2206-PA0003-00	Base de sujeción	1
417	2206-PA0004-00	Montura de guía circular	1
418	2213-PA0007-00	Base en copa de la perilla	1
419	2213-PA0008-00	Cubierta en copa de la perilla	1

PIEZAS – MODELO 183.172521

Montaje del fresador



PIEZAS – MODELO 183.172521

Montaje del fresador

# de cód.	# de pieza	Nombre de la pieza	Ctd.
101	02AF-000041-I0	Eje de sujeción	2
102	02AF-000077-00	Pasador para soltar la base	2
103	02AF-000078-00	Barra de altura	1
104	02AG-000145-00	Casquillo de guía	2
105	02AJ-000017-00	Base inclinable del fresador	1
107	02AH-000107-00	Resorte	2
108	02AH-000108-00	Resorte	2
109	02AH-000109-00	Resorte	1
111	02AN-000001-A0	Tuerca roscada	5
112	02AN-000013-00	Tuerca cuadrada	2
113	02AN-000019-00	Tuerca de sujeción M4	3
114	02AN-000024-00	Tuerca hexagonal delgada	1
115	02AQ-000001-A0	Bola de acero	1
117	02AS-000020-A0	Tornillo	1
118	02AS-000048-A0	Tornillo industrial	3
119	02AS-000276-00	Tornillo de la base	6
120	02AS-000258-00	Tornillo industrial	2
120	02AS-000258-10	Tornillo industrial	2
121	02AS-000260-00	Tornillo industrial	1
122	02AS-000290-00	Tornillo	1
123	02AS-000291-00	Tornillo	1
124	02AS-000292-00	Tornillo	1
128	02AW-000068-00	Arandela ondulada	1
129	02AW-000070-00	Aros externos de sujeción	2
131	2213-MA0001-00	Barra de guía	2
133	2213-MA0003-00	Cabezal	2
134	2213-MA0004-00	Guía indicadora	1
138	2213-MA0007-00	Chapa de arandela 1	2
139	2213-MA0008-00	Chapa de arandela 2	2
151	2213-PA0001-00	Base fija de fresado	1
152	2213-PA0002-00	Base móvil de fresado	1
153	2213-PA0003-00	Cierre rápido de altura de fresado	1
154	2213-PA0004-00	Selector de posiciones determinadas	1
155	2213-PA0005-00	Seguro	2
156	2213-PA0006-00	Fuelle	2
157	2213-PA0007-00	Base en copa de la perilla	2
158	2213-PA0008-00	Cubierta en copa de la perilla	2
159	2213-PA0009-00	Perilla para ajustar la altura	2
164	2205-PA0004-00	Lente	1
165	2205-PA0007-00	Disco de sujeción	2
166	2207-PA0007-00	Seguro roscado B	1

¡Repárelo, en su casa o en la nuestra!

Para reparar los artículos de fabricantes reconocidos en su propio hogar....
sin importar el fabricante o el proveedor,

1-800-4-MY-HOME[®] A cualquier hora del día
(1-800-469-4663) (en EE.UU. y en Canadá)

www.sears.com

www.sears.ca

Para reparar productos portátiles como aspiradoras, cortagramas y
productos electrónicos, llame y pida la ubicación más cercana de su
Centro de partes y de reparaciones de Sears.

1-800-488-1222 A cualquier hora del día (sólo en EE.UU.)

www.sears.com

Para obtener piezas de recambio, accesorios y manuales del propietario
que requiera para hacerlo usted mismo, llame a **Sears Parts DirectSM**

1-800-366-PART De 6 a 23 horas HEC, 7 días a la semana
(1-800-366-7278) (sólo en EE.UU.)

www.sears.com/partsdirect

Para adquirir o pedir información sobre un Contrato de servicio de Sears
o un Contrato de mantenimiento de Sears:

1-800-827-6655 (EE.UU.)

1-800-361-6665 (Canadá)

De 7 a 17 horas HEC, Lun. - Sáb.

De 9 a 20 horas HEE, L - V, 16 horas Sáb.

Para pedir servicio de reparación a
domicilio, y para ordenar piezas:

1-888-SU-HOGARSM
(1-888-784-6427)

Au Canada pour service en français:

1-800-LE-FOYER^{MC}
(1-800-533-6937)

www.sears.ca

SEARS
HomeCentral[®]