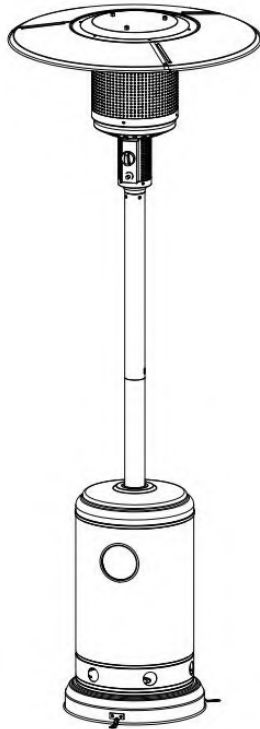


BACKYARD *Creations*®

48,000 BTU Propane Outdoor Patio Heater

Item# 13533
Model# 2595270



⚠ DANGER
If you smell gas:
1. Shut off gas to the appliance.
2. Extinguish any open flame.
3. If odor continues, keep away from the appliance and immediately call your gas supplier or fire department.

⚠ DANGER
Do not store or use gasoline or other flammable vapors and liquids in the vicinity of this or any other appliance. A propane cylinder not connected for use shall not be stored in the vicinity of this or any other appliance.

⚠ WARNING
For outdoor use only.

INSTALLER:
Leave this manual with the appliance.
CONSUMER:
Retain this manual for future reference.

⚠ WARNING
Improper installation, adjustment, alteration, service or maintenance can cause injury or property damage. Read the owner's manual thoroughly before installing or servicing this equipment. If the information in this manual is not followed exactly, a fire or explosion may result causing property damage, personal injury or loss of life.



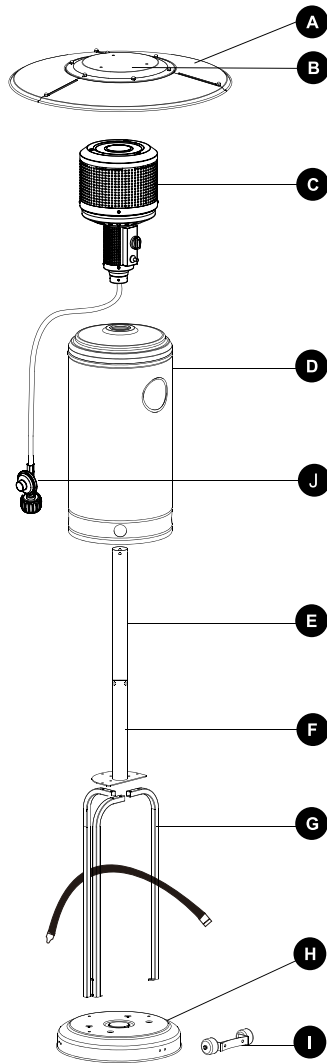
⚠ DANGER



CARBON MONOXIDE HAZARD
This appliance can produce carbon monoxide which has no odor. Using it in an enclosed space can kill you. Never use this appliance in an enclosed space such as a camper, tent, car or home.

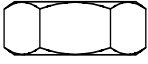
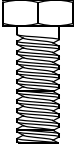
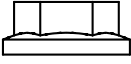
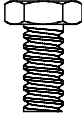
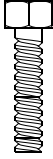
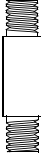
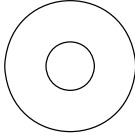
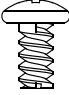
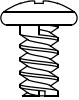
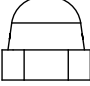
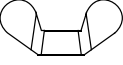
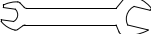
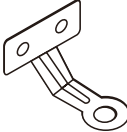
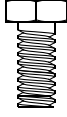
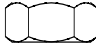

Questions, problems, missing parts? Before returning to your retailer, call our customer service department at 1-877-447-4768, 8:00 a.m. - 4:30 p.m., CST, Monday-Friday or email us at customerservice@ghpgroupinc.com

PACKAGE CONTENTS



Item	Description	Qty
A	Reflector Panel	3
B	Center Reflector	1
C	Burner Assembly	1
D	Tank Housing	1
E	Upper Post	1
F	Lower Post	1
G	Support Bracket	3
H	Base	1
I	Wheel Assembly	1
J	Regulator	1

HARDWARE

AA	BB	CC	DD	EE	FF	GG	HH
							
II	JJ	KK	LL	MM	NN	OO	PP
							

Item	Description	Qty
AA	M8 NUT (packed with part 1)	2
BB	Bolt M8x16 (2 pcs packed with part 1)	5
CC	M6 Flange Nut	6
DD	Bolt M6x10 (pre-assembled on part C)	4
EE	Bolt M6x30	6
FF	Reflector Spacer	3
GG	Washer	9
HH	Screw M5 (pre-assembled on part F)	2
II	Screw M6x10	9
JJ	Cap Nut	9
KK	Wing Nut	3
LL	Wrench	1
MM	Anchoring Arm	3
NN	Bolt M6x10	6
OO	M6 Nut	6
PP	Anchor	3

Before beginning assembly of product, make sure all parts are present. Compare parts with package contents list and hardware contents list. If any part appears missing or damaged, don't use this product and call customer service immediately.

Tools Required for Assembly: Wrench (included) and Phillips Screwdriver (Not Included)

SAFETY INFORMATION

WARNING

Before you assemble or operate this unit, please carefully read this entire manual. Failure to do so may result in a fire, explosion, injury or death.

- The installation of this unit must adhere to local codes or Propane Storage and Handling Code, CSA B149.2.
- THIS UNIT IS INTENDED FOR OUTDOOR USE ONLY! This product shall be used outdoors, in a ventilated space and shall not be used in any enclosed area.
- This unit is to be used with propane gas only! (sold separately)
- Do not attach a remote gas supply to this unit.
- Only use propane gas for this unit.
- This unit is not intended for natural gas.
- Converting this unit to natural gas is dangerous and not recommended. The conversion of this unit will void the manufacturer warranty.
- Do not use any solid fuel or charcoal for this unit.
- If the propane gas tank is leaking gas, you may see or smell it, or hear a hiss. Do the following: 1. Disconnect the propane gas tank. 2. Do not attempt to fix the problem yourself. 3. Contact your gas supplier or fire department for help.
- Applying too much propane may result in gas pooling and will not burn. Allow fresh air into the unit so that the remaining gas may escape.
- Do not use a flame to check for gas leaks.
- Manifold pressure: 11 in w.c. (2.74kPa).
- Use propane tanks with the following dimensions: diameter 12 in, height 18 in. - capacity 20 lbs
- You must use a propane tank that has a collar to protect the gas valve.
- DO NOT fill tank over 80 percent full.
- The tank system must be set up for vapor withdrawal.
- Discontinue use if any part of the propane tank is damaged. Rust and dents may be hazardous and should be inspected by a gas supplier.
- Do not burn anything other than the provided materials for this patio heater.
- Do not operate unit until all parts are fully assembled.
- Do not paint or color any part of this heating unit.
- Unit may be hot while in use, do not attempt to move it while in use.
- Never leave this heating unit unattended while in use.
- This unit is not intended for cooking.
- Keep any flammable items away.
- Keep a safe distance to avoid burning skin or clothing.
- Do not sit or rest hands or feet on this heating unit.
- Never place hands or fingers on upper portion of this unit while in use.
- Keep all electrical cords and fuel supply hose away from heated surfaces.
- Combustible material should not be within 48 inches of the top of the unit, or within 48 inches around the entire unit.
- Combustible material should not be within 48 inches of the top of the unit, or within 48 inches around the entire unit.
- Keep the appliance area clear and free from combustible material, gasoline and other flammable vapors and liquids.

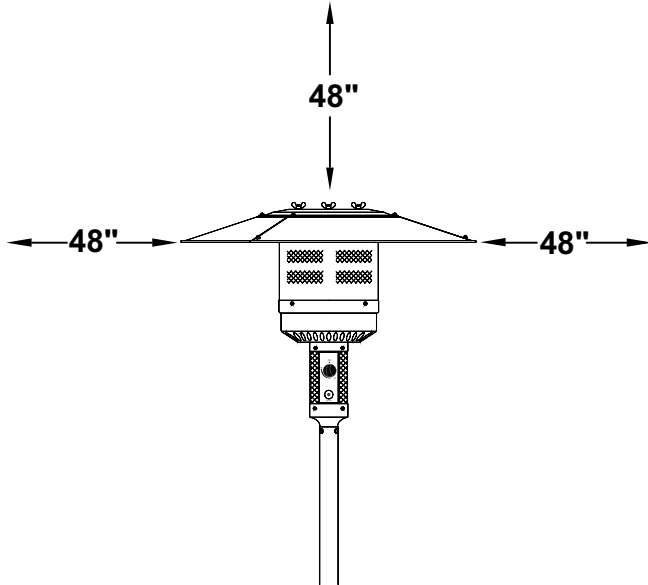
SAFETY INFORMATION

- If the flame goes out while burning, turn the gas valve off. Wait 5 minutes before repeating the initial lighting procedure. Once you have a flame started, hold down the control knob for 1 minute
- Do not add water into the unit.
- Do not operate unit if any part has been under water. Call a service technician to replace any damaged parts should this occur.
- Do not disconnect any part while unit is in use.
- Do not store a spare propane tank under or near this appliance.
- If the heating unit is indoors, detach the propane tank and leave outdoors.
- Do not operate on a boat or vehicle. This unit must be used on a flat surface and outdoors ONLY.
- Always remove protective cover before operating (if applicable).
- Check for leaks after not using the unit for long periods of time.
- **Children should never operate this unit. Children must be supervised while near this unit.**
- Keep gas tank at least 5 feet away from unit when lit. (if external tank)
- The maximum gas supply: 250psi; Min. gas supply:10 psi.
- **All installation and repair should be done by a qualified professional. This unit should be inspected annually and cleaned regularly.**
- Inspect all elements of this heating unit before each use. If there is damage, the burner must be replaced
- Be aware of the hazards of high temperatures and stay away from the unit to avoid any burns or injury.
- The gas supply tank should be constructed and marked in accordance with the specifications for the LP-gas cylinders of the U.S. Department of Transportation (DOT) or CSA B339;
- The propane gas tank must have a listed overfilling prevention device and a QCCI or Type I, (CGA791) propane gas tank connection.
- This heating appliance should not be used on plastic or artificial wood decks.
- **Children and adults should be alerted to the hazards of high surface temperatures and should stay away to avoid burns or clothing ignition.**
- **Young children should be carefully supervised when they are in the area of the heater.**
- **Clothing or other flammable materials should not be hung from the heater, or placed on or near the heater.**
- **Any guard or other protective device removed for servicing the appliance shall be replaced prior to operating the heater.**
- **Installation and repair should be done by a qualified service person. The heater should be inspected before use and at least annually by a qualified service person. More frequent cleaning may be required as necessary. It is imperative that the control compartment, burners and circulating air passageways of the heater be kept clean.**
- Storage of an appliance indoors is permissible only if the cylinder is disconnected and removed from the appliance. A cylinder must be stored outdoors in a well-ventilated area out of the reach of children. A disconnected cylinder must have dust caps tightly installed and must not be stored in a building, garage or any other enclosed area.
- Place the dust cap on the cylinder valve outlet whenever the cylinder is not in use. Only install the type of dust cap on the cylinder valve that is provided with the cylinder valve. Other types of caps or plugs may result in leakage of propane.
- Installation of this appliance at altitudes above 2000 ft (610 m) shall be in accordance with local codes, or in the absence of local codes, ANSI Z223.1/NFPA 54 or CSA B149.1.
- Appliance may shut down in windy conditions in excess of 3 miles per hour (4.83 kilometers per hour).

SAFETY INFORMATION

Only use the regulator and hose assembly provided with this unit. Replacement parts must be supplied directly by manufacturer.

Inspect the burner before use of this unit. If the burner shows any kind of damage, do not operate the appliance. For assistance with repair or replacement of the burner or any other parts, call manufacturer at 1.877.447.4768.



BE CAREFUL: WHEN CERTAIN MATERIALS OR ITEMS ARE STORED ABOVE, BESIDE OR UNDER THIS HEATER WHILE IN USE, THEY WILL BE SUBJECT TO RADIANT HEAT AND COULD BE SERIOUSLY DAMAGED.

Combustible materials should not be within 48 inches of the top of the unit, or within 48 inches around the entire unit.

NOTE: You must follow all steps to properly assemble this heating item. Make sure the gas valve is turned OFF before assembling. Do NOT attempt to assemble without proper tools.

WARNING


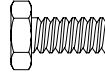

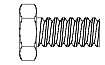

FUELS USED IN LIQUEFIED PROPANE GAS APPLIANCES, AND THE PRODUCTS OF COMBUSTION OF SUCH FUELS, CAN EXPOSE YOU TO CHEMICALS INCLUDING BENZENE, WHICH IS KNOWN TO THE STATE OF CALIFORNIA TO CAUSE CANCER AND CAUSE BIRTH DEFECTS OR OTHER REPRODUCTIVE HARM.

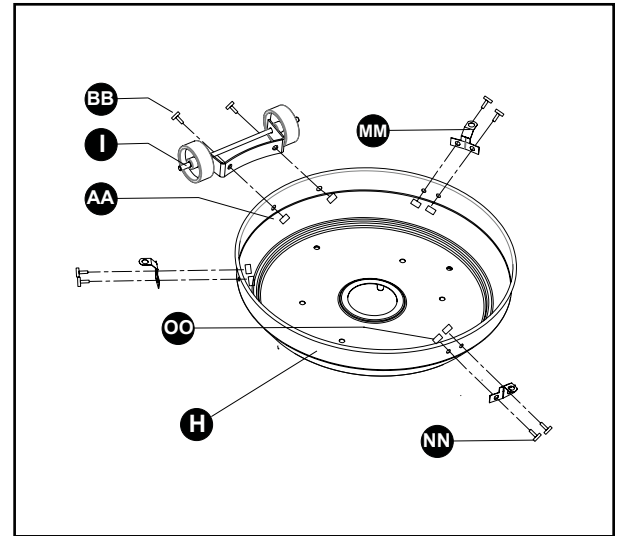
For more information go to: www.P65Warnings.ca.gov.

ASSEMBLY INSTRUCTIONS

1. Turn the base upside down, then attach wheel assembly (I) to base (H) using 2pcs M8 nuts (AA) and 2pcs bolts M8x16 (BB). Attach 3pcs anchoring arm (MM) to base (H) using 6pcs M6 nuts (OO) and 6pcs bolt M6x10 (NN). Be sure that the wheel assembly is parallel to the base. Tighten bolts securely.

Hardware Used

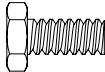
AA	M8 nut		x 2
BB	Bolt M8x16		x 2
MM	Anchoring Arm		x 3
NN	Bolt M6x10		x 6
OO	M6 Nut		x 6

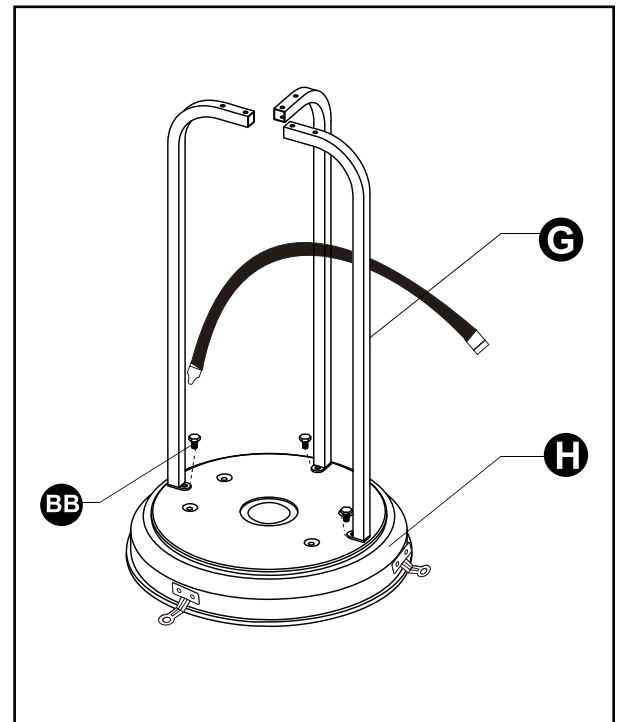


2. Attach 3 pcs support brackets (G) to base (H) using 3 pcs bolts M8x16 (BB).

Note: Keep the support bracket with belt in the middle.

Hardware Used

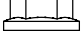

BB	Bolt M8x16		x 3
-----------	------------	---	-----

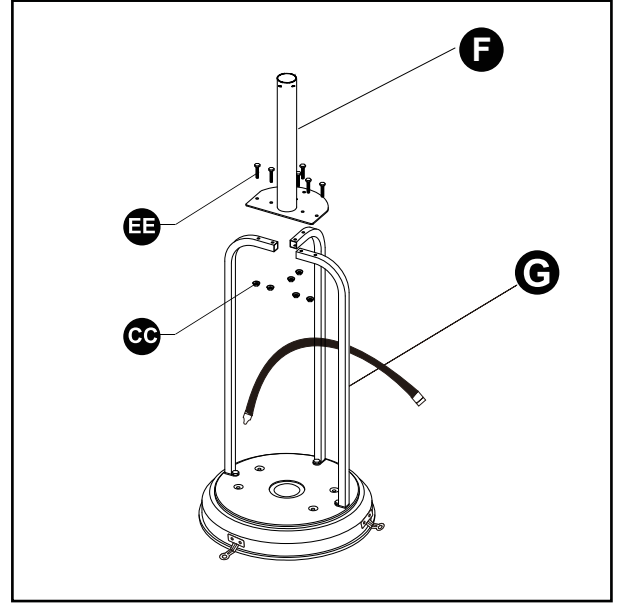


ASSEMBLY INSTRUCTIONS

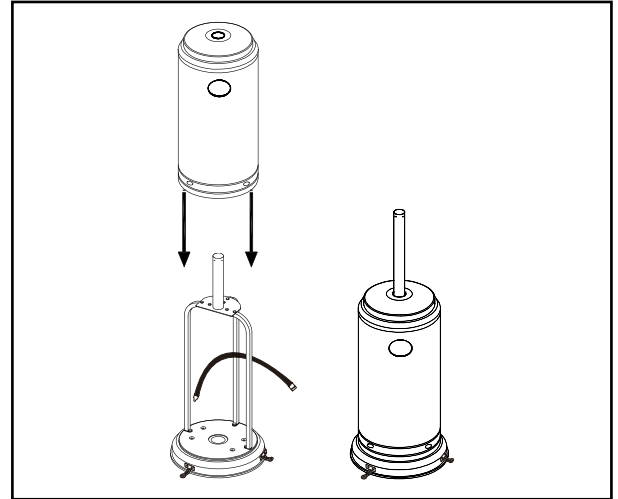
3. Attach lower post (F) to support brackets (G) using 6pcs bolts M6x30 (EE) and 6pcs M6 flange nuts (CC). Tighten bolts securely.

Hardware Used

- CC** M6 Flange nut  x 6
- EE** Bolt M6x30  x 6



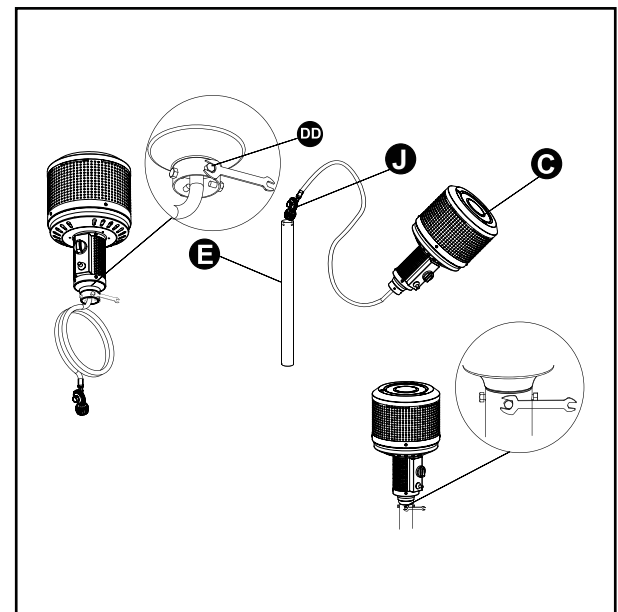
4. Load tank housing onto post, slide tank housing down.



5. Remove the 4 pcs preassembled bolts M6x10 (DD) from the burner assembly (C). Insert the regulator (J) from the top end of the upper post (E), then attach the burner assembly (C) to upper post (E) using the four bolts removed at the beginning of this step. Tighten bolts securely.

Hardware Used

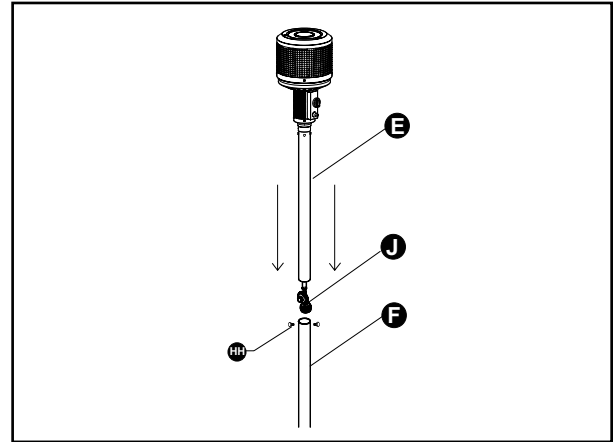
- DD** Bolt M6x10  x 4



ASSEMBLY INSTRUCTIONS

6. Remove the 2 preassembled screws M5 (HH) from the lower post (F). Insert the regulator (J) from the top end of the lower post (F). Insert upper post (E) to lower post (F), then tighten two posts using the 2 screws M5 (HH) removed at the beginning of this step.

Hardware Used

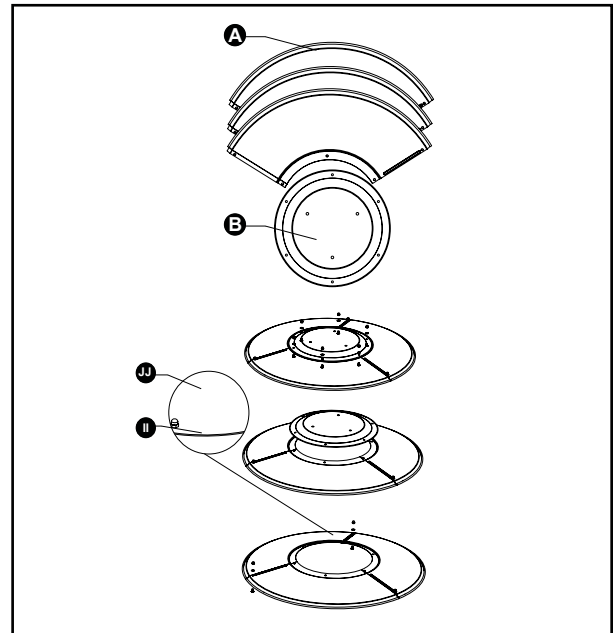
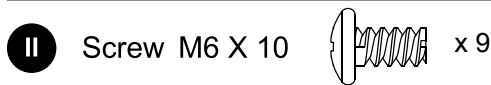


7. **WARNING:** Remove protective film before assembling.

Note: If necessary for proper alignment of reflector sections.

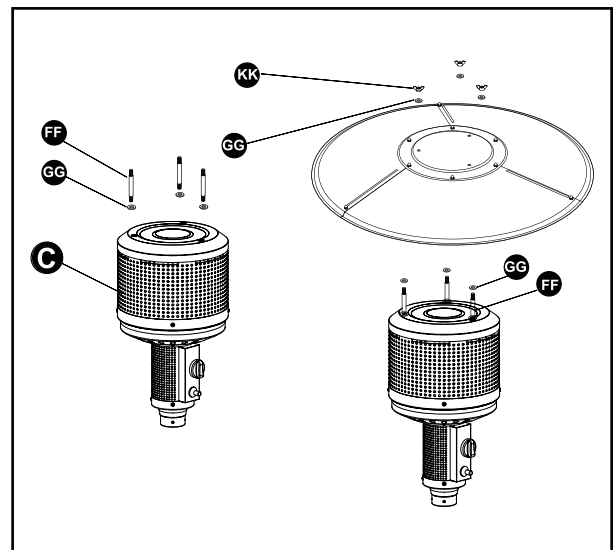
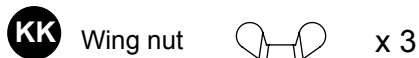
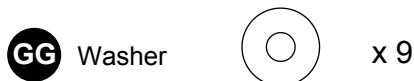
Attach 3 pcs reflector panels (A) to center reflector (B) using 9 pcs Screws M6x10 (II) and 9 pcs cap nuts (JJ). Fully tighten all of the screws.

Hardware Used



8. Attach 3 pcs reflector spacers (FF) and 3 pcs washers (GG) to burner assembly (C) firstly. Tighten the reflector spacers. Slide 3 pcs washers (GG) over threaded end of spacer. Attach the reflector assembly to the top of reflector spacer (FF) using 3 pcs washers (GG) and 3 pcs wing nuts (KK).

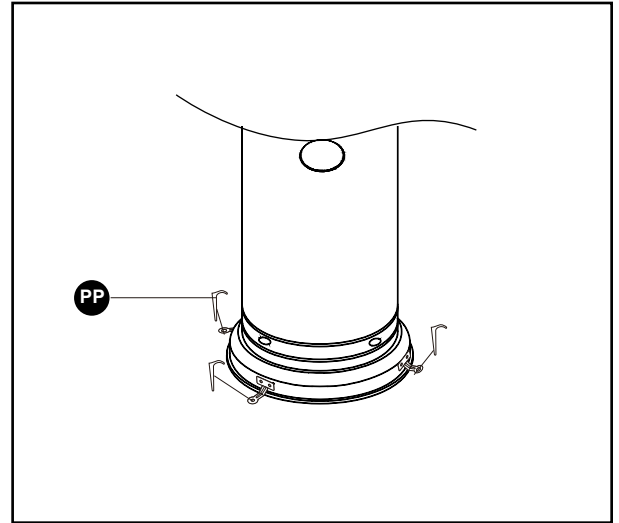
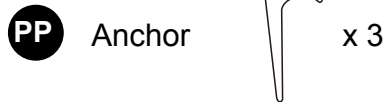
Hardware Used



ASSEMBLY INSTRUCTIONS

9. **Optional:** Use the anchor (PP) to fasten the product into the ground.

Hardware Used



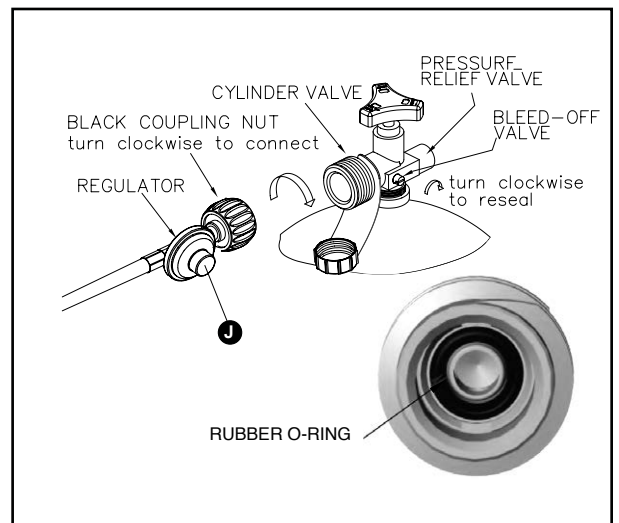
10. Place the propane gas tank (not included) on the base. Tighten the belt to ensure the propane gas tank is fully secure.



11. Turn the cylinder valve on the tank clockwise to close the propane tank. Attach the regulator (J) to the cylinder valve by turning the regulator coupling nut clockwise. Make sure it is fastened securely and tighten connections by hand only.

WARNING

Please inspect the O-ring in the propane tank valve to ensure it is not worn before attaching regulator. Worn rubber O-ring can cause leaks, explosions and serious injury by propane tank.



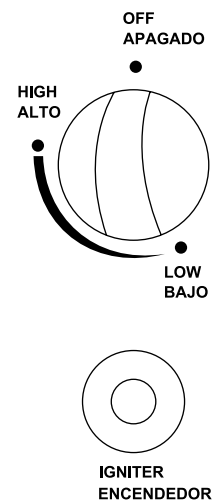
OPERATION

Before performing a leak test, be sure that no sparks can occur and you are in a spacious outdoor area. Connect the propane gas tank to the regulator and turn the valve on the unit to the 'OFF' position. Brush a soap and water mixture on all connections. Turn the gas supply on; if bubbles occur on any connection there may be a leak. **If you smell gas or a leak is discovered turn the gas valve off, disconnect propane gas tank and do not use the appliance until the leak is repaired.**

Do not use the heating unit without inspecting the gas hose. If there are signs of wear or abrasion you must replace the hose (if applicable).

To Light

1. Turn on the valve on the gas supply cylinder.
2. Press and turn the variable control knob to the 'HIGH' position and hold for 3-5 seconds.
3. While holding down the variable control knob, press the igniter button several times until the burner head flame ignites. Release the variable control knob 30 seconds after the ignition.
4. If a new tank has just been connected, allow at least one minute or more for the air in the gas pipeline to purge out.
5. The flame can be watched and checked from the viewing hole located on the base of the burner.
6. Turn the variable control knob to the 'LOW' position for 5 minutes or more before turning the knob to desired temperature setting. If a small flame is needed, turn the variable control knob to the 'LOW' position.
7. If the burner flame goes out accidentally or it is blown out by wind, turn off the heater and wait at least 5 minutes or more to let the gas dissipate before lighting again to avoid possible gas explosion. Repeat steps 2 through 3.



When lit for the first time the heater may emit a slight odor and smoke. This is a normal and temporary condition. Emitter screen will become a bright red due to the heat. The color is more visible at night. Flame patterns should be a blue flame; these flames should not be yellow in color; indicating an obstruction of airflow through the burners.

To Extinguish

1. Turn control knob clockwise to the 'OFF' position.
2. Close the cylinder valve on the propane gas tank if you don't intend to use it for a long time.

MAINTENANCE

- Before performing any maintenance always disconnect propane gas tank.
- Keep the heating item free and clear from combustible materials.
- Visually inspect burner for obstructions and keep tank enclosure free and clear from debris.
- Use a soft brush to get rid of the mild stains, loose dirt and soil after the burner is completely cooled down. Wipe down with a soft cloth.
- Harsh weather conditions may cause stubborn stains, discoloration and possibly rust pitting.
- Permanent damage may occur if powder or solvent comes in contact with painted or plastic components on this heating unit.
- Keep the heating unit stored away from direct sunlight.
- If storing this unit inside, disconnect the propane gas tank from the gas valve.
- Not using manufacturer approved or supplied parts/accessories may result in a defective condition and void the warranty of this heating unit.
- Always place lid (if applicable) or protective cover on heating item when not in use.

WARRANTY

This product has a one-year warranty against manufacturing defects in workmanship, or materials.

The manufacturer warranty will be voided by, and manufacturer disclaims any responsibility for, the following actions:

- Modification of the unit and/or components including the gas valve assembly.
- Use of any component part not manufactured or approved by Manufacturer.
- Use and installation other than what is listed in this manual.

Please contact the manufacturer for replacement parts.

CONTACT

If you have any questions or concerns, please contact manufacturer at the below resources:

Toll free phone	1-877-447-4768 Monday - Friday, 8:00 am - 4: 30 pm CST
Email	customerservice@ghpgroupinc.com
Website	www.ghpgroupinc.com

TROUBLESHOOTING

Problem	Cause	Solution
The burner will not light.	The burner injector is clogged.	Clean the burner injector.
	There is low gas supply pressure.	Call your gas supplier.
The burner flame goes off immediately after ignition.	There is low gas pressure.	Call your gas supplier.
The ignition is delayed.	The main burner carryover ports are clogged.	Clean the main burner ports.
	There is low gas pressure.	Call your gas supplier.
The combustion on the burner is inadequate.	There is not enough air.	Check the air passageways and burners for dirt and debris, and clean with compressed air.
The burner flame is low.	The supply hose is bent or twisted.	Straighten the hose and perform a leak test.
	There is blockage in the burner injector.	Clean or replace the burner injector.
The emitter glows uneven.	There is blockage in the burner injector.	Clean or replace the burner injector.
	The base is not on a level surface.	Place the heater on a level surface.
	The gas pressure is low.	Replace the cylinder with a new cylinder.
There is slight smoke and odor during initial operation.	This is residue from the manufacturing process.	This will stop after approximately 30 minutes of operation.
There is thick black smoke.	There is blockage in the burner.	Turn off the heater and let it cool. Remove the blockage and clean the inside and outside of the burner.
The heater produces a whistling noise when the burner is lit.	Air passageways are blocked.	Check the minimum installation clearances and air passageways for debris.
	There is air in the gas line.	Operate the burner until the air is completely purged.
The heater produces a clicking noise just after the burner is lit or turned off.	The metal is expanding and contracting.	This is common with heaters. If noise is excessive, contact a qualified service person.
There is a gas odor even when the control knob is in the OFF position.	There is a gas leak.	Locate and correct the leak immediately.
	The gas control is defective.	Replace the gas control.
There is a gas odor during combustion.	There is foreign matter in the gas or on the burner ports.	Check the gas passageway and burner.
	The heater is burning vapors from paint or impurities in the air.	Stop storing and using odor causing products near the heater.
	There is gas leaking from the regulator and hose connection, the valve and pipe connections, and the pipes.	Locate and correct the leaks, or contact your gas supplier.
There is carbon build-up.	There is dirt or film on the reflector and flame screen.	Clean the reflector and flame screen.

REPLACEMENT PARTS LIST

PART	DESCRIPTION	PART #
AA	M8 Nut (packed with part I)	30-07-359-B
BB	Bolt M8x16 (2 pcs packed with part I)	30-07-360-B
CC	M6 Flange Nut	30-07-361-B
DD	Bolt M6x10 (pre-assembled on part C)	30-07-362-B
EE	Bolt M6x30	30-07-363-B
FF	Reflector Spacer	30-07-364-B
GG	Washer	30-07-365-B
HH	Screw M 5 (pre-assembled on part F)	30-07-366-B
II	Screw M6x10	30-07-367-B
JJ	Cap Nut	30-07-368-B
KK	Wing Nut	30-07-369-B
LL	Wrench	30-07-370-B
MM	Anchoring Arm	30-07-371-B
NN	Bolt M6x10	30-07-372-B
OO	M6 Nut	30-07-373-B
PP	Anchor	30-07-374-B
A	Reflector Panel	30-07-349-B
B	Center Reflector	30-07-350-B
C	Burner Assembly (48k BTU)	30-01-947
D	Tank Housing	30-07-352-B
E	Upper Post	30-07-354-B
F	Lower Post	30-07-355-B
G	Support Bracket	30-07-356-B
H	Base	30-07-357-B
I	Wheel Assembly	30-07-358-B
J	Regulator	30-07-353-B
K	Thermocouple	30-01-948
L	Gas Valve	30-01-949

