

PYLE



USER GUIDE

PHQBS53WH - PHQBS53BK

Passive Bookshelf Speakers

Visit Our Website



SCAN ME

PyleUSA.com



Get Into It!

Features:

- Lightweight Painted Paper Cone
- 25mm Soft Dome Tweeter with 5.25" Large Dynamic Woofer
- Compact Design with Big Sound
- Versatile for Various Listening Setups
- 2-way Home Audio Speaker
- Audiophile-Grade Painted Paper Woofer Cone
- Ultra-Stiff Polypropylene Dust Cap on Woofer
- Rubber Surrounds on Woofer
- Silk Dome Tweeter gives Crisp and Realistic Sounding Highs
- Gold-Plated 5-Way Binding Post Terminals can Accept Banana, Bare Wire, Spade Terminals and more
- Detachable Plug-in Grill
- Wall Mount Hanging Bracket
- 1" Aluminum Voice Coil

What's in the Box:

- Main Speakers
- Speaker Wire

Technical Specs:

- Construction Material: Top Quality 12mm MDF with Beautiful Wood Grain Finish
- MAX Power: 200W
- RMS Power: 50W each, 100W per Pair
- Connectivity Protocol: ? Hendry: Gold-Plated 5-Way Binding Post Terminals can Accept Banana, Bare Wire, Spade Terminals and more
- Woofer: 5.25" Painted Paper Cone
- Tweeter: 1" Silk Dome Tweeter
- Crossover Slope: 12dB/Octave
- Frequency Response: 75Hz – 20KHz
- Sensitivity: 87dB 1W/1m
- Impedance: 6 ohms
- Product Dimensions (L x W x H): 11.5" x 7.5" x 9.5" -inches

California Prop 65 Warning

 **WARNING:**

This product contains Bisphenol A (BPA) which is known to the state of California to cause cancer birth defects and other reproductive harm.

Do not ingest.

For more info go to: www.P65warnings.ca.gov

To ensure complete satisfaction with this product, read and understand this manual carefully before use. Keep the manual in a safe place.

This operating manual must be passed on to all subsequent users.

IMPORTANT SAFETY PRECAUTIONS



- Make sure to match your speaker and amplifier power ratings. Failure to do so can result in permanent damage to your speakers.
- Distortion is an indication that the amplifier or speaker is operating beyond its design limits. If you hear distortion, immediately turn down the volume to avoid permanent damage.
- Do not place these speakers on an unstable cart, stand, bracket, or table. The speaker may fall, causing serious injury to a child or adult and serious damage to the unit.
- Do not use these speakers near water, for example, near a bathtub, sink, in a wet basement, or near a swimming pool.
- The speakers should be situated away from heat sources such as radiators, heat registers, stoves, or other devices that produce heat.
- Clean only with a soft, damp cloth.

CONNECTING THE SPEAKERS

These speakers are passive and therefore require an amplifier or receiver to power them. They can be connected to any 4 or 8-ohm amplifier.

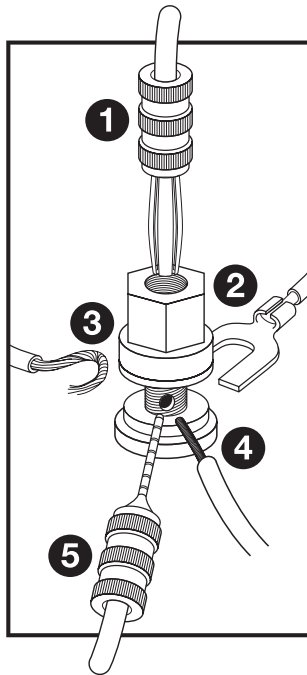
When using the Passive Bookshelf Speakers 4-ohm model, connect one speaker per amplifier channel. For the 8-ohm model, you can connect up to two speakers per channel, as long as your amplifier supports 4 to 8 ohms.

If your speakers are relatively close to the signal source (approximately 50 feet or less), use 16-gauge wire. For longer distances, 12- or 14-gauge wire is recommended.

Be sure to observe proper polarity:

- The wire from the red speaker terminal should connect to the red or positive terminal of the signal source.
- The wire from the black speaker terminal should connect to the black or negative terminal of the signal source.

The Bookshelf Speakers feature 5-way binding posts that accept various types of connections:

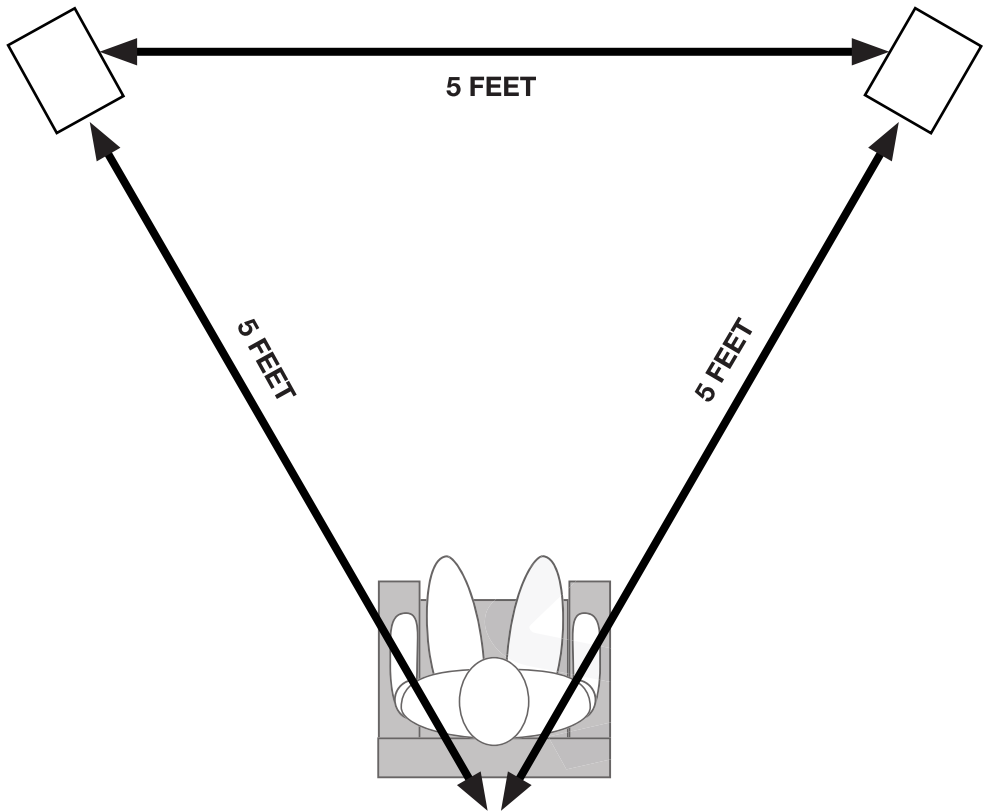


1. Banana plugs can be inserted into the open end of the binding post.
2. Spade terminals can be placed around the metal post and secured using the screw-down cap.
3. Looped wire can be wrapped around the binding post and clamped using the screw-down cap.
4. Straight wire can be inserted into the hole drilled through the bottom of the binding post and clamped down by the screw cap.
5. Pin connectors can be inserted into the hole drilled through the bottom of the binding post and clamped down by the screw cap.

POSITIONING THE SPEAKERS

Start by placing the speakers directly in front of your primary listening position. Ensure the tweeters are as close to ear level as possible.

While listening to music, pay attention to the quality and separation of vocals and instruments. You may move the speakers closer together or farther apart to optimize your listening experience. Always position them equidistant from the listener.



Listen to a variety of music tracks so you can hear:

- Lows (bass)
- Mids (vocals and horns)
- Highs (treble)

Allow your speakers a "break-in" period before final positioning.

To break in your speakers, play a variety of music at moderate to low volume over a day or two. This will help prepare them for regular use and optimal performance.

CABINET CARE

To maintain the finish of your Passive Bookshelf Speakers, periodically wipe them down with a lightly dampened microfiber cloth.

Grills can be brushed or vacuumed to remove dust.

TROUBLESHOOTING

PROBLEM	SOLUTION
No sound	<ol style="list-style-type: none">1. Make sure your speaker wires and connections are fully inserted and properly seated.2. These are passive speakers and require power. Ensure your receiver has amplified speaker outputs. If not, contact us at support@pyleusa.com for assistance in finding a compatible receiver or amplifier.3. Make sure your active audio source (CD, AUX, tape, etc.) is selected on your receiver.

CLEANING, MAINTENANCE, AND STORAGE

Cleaning:

- Wipe the cabinet with a soft, damp microfiber cloth.
- Use a vacuum or soft brush to clean the speaker grills.
- Do not use harsh cleaners, solvents, or spray liquids directly onto the speakers.

Maintenance:

- Periodically check speaker wires for fraying or looseness.
- Ensure binding posts are clean and free from oxidation or corrosion.
- Keep speakers away from extreme temperatures and humidity to prevent damage to internal components.

Storage:

- Store the speakers in a clean, dry location if not in use for extended periods.
- Cover with a dust cloth or place them in their original packaging to protect them from dust and scratches.
- Avoid stacking heavy objects on top of the speakers.

Register Product

Thank you for choosing PyleUSA. By registering your product, you ensure that you receive the full benefits of our exclusive warranty and personalized customer support.

Complete the form to access expert support and to keep your PyleUSA purchase in perfect condition.

Start Here



Model Number:
PHQBS53WH

PyleUSA.com/pages/register

PYLE

Get Into It!



Questions? Comments?
We are here to help!
Phone: (1) 718-535-1800
[PyleUSA.com/ContactUs](https://www.pyleusa.com/ContactUs)

Get Into It!