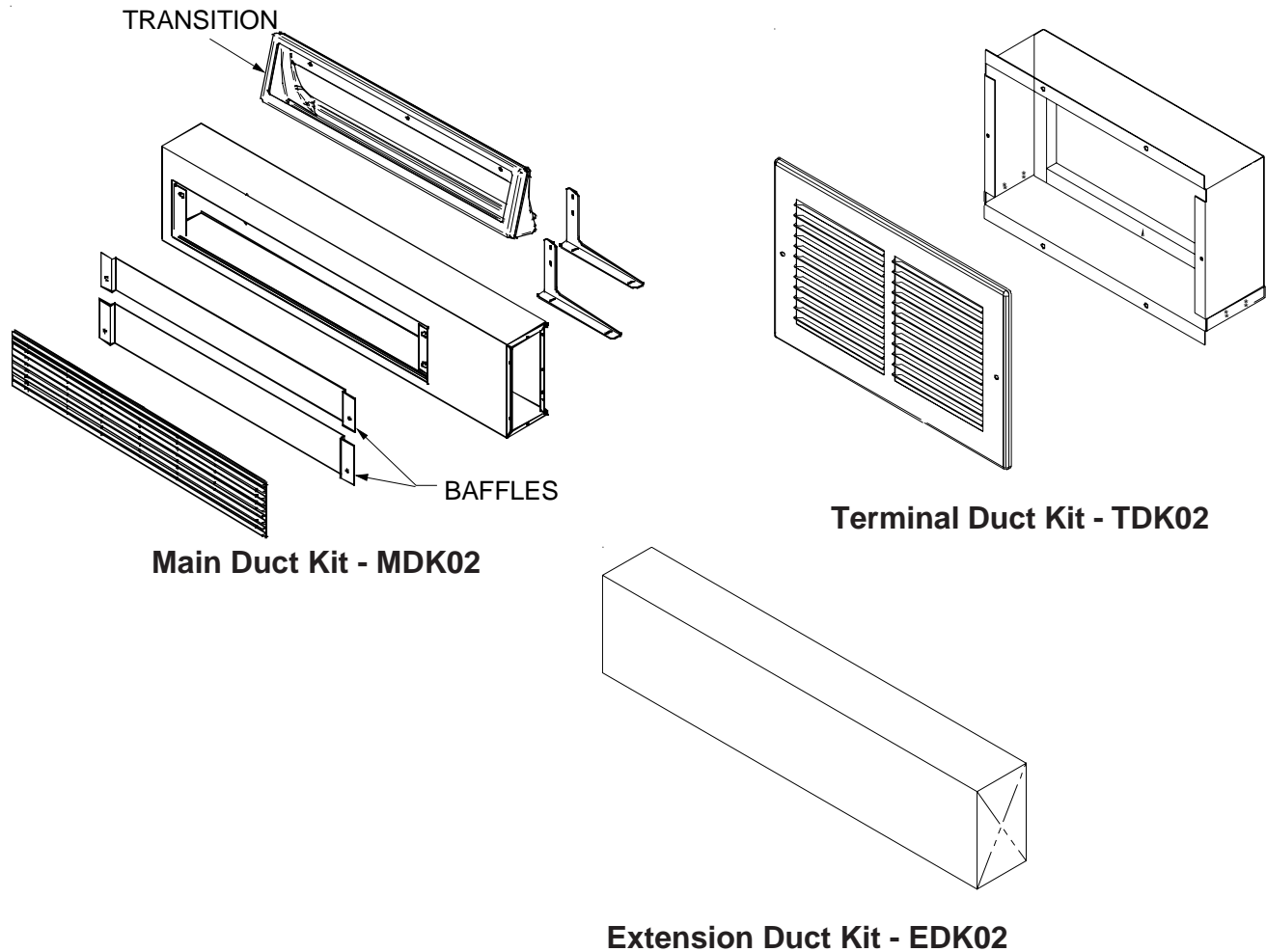


PTAC DUCT KIT INSTALLATION INSTRUCTIONS

Extends air distribution to an adjoining room.

The kit consists of a main duct for the room of origin and an extension duct to reach the adjoining room, and terminal duct. **NOTE:** All required hardware is provided within kit.



ATTENTION INSTALLING PERSONNEL

As a professional installer you have an obligation to know the product better than the customer. This includes all safety precautions and related items.

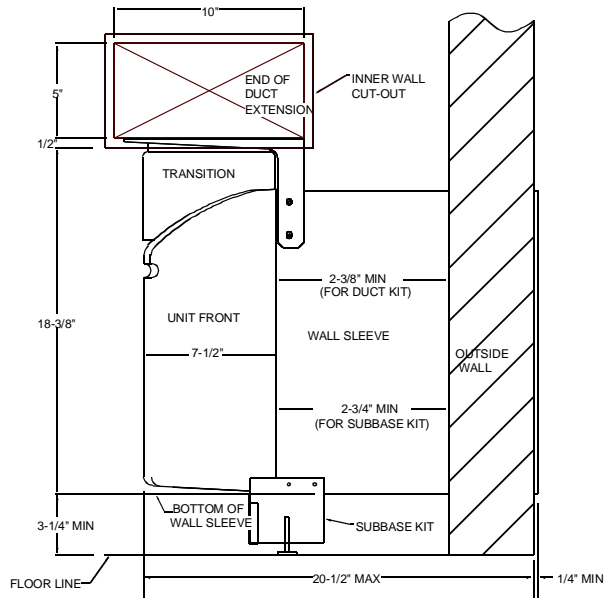
Prior to actual installation, thoroughly familiarize yourself with this Instruction Manual. Pay special attention to all safety warnings. Often during installation or repair it is possible to place yourself in a position which is more hazardous than when the unit is in operation.

Remember, it is **your** responsibility to install the product safely and to know it well enough to be able to instruct a customer in its safe use.

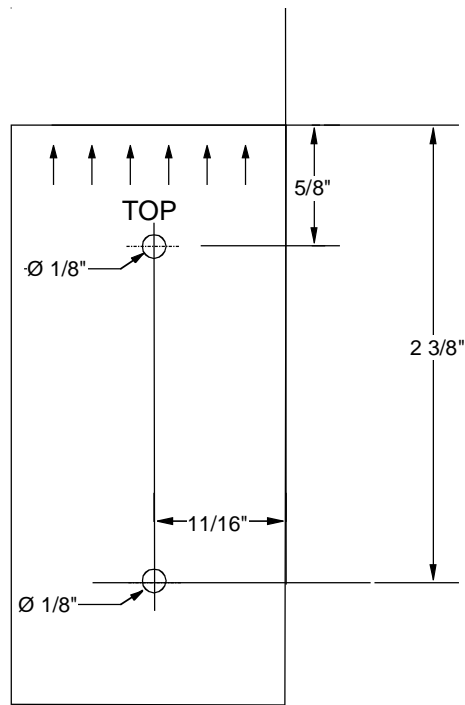
Safety is a matter of common sense...a matter of thinking before acting. Most dealers have a list of specific good safety practices...follow them.

The precautions listed in this Installation Manual are intended as supplemental to existing practices. However, if there is a direct conflict between existing practices and the content of this manual, the precautions listed here take precedence.

Installation Dimensions



Installation Dimensions



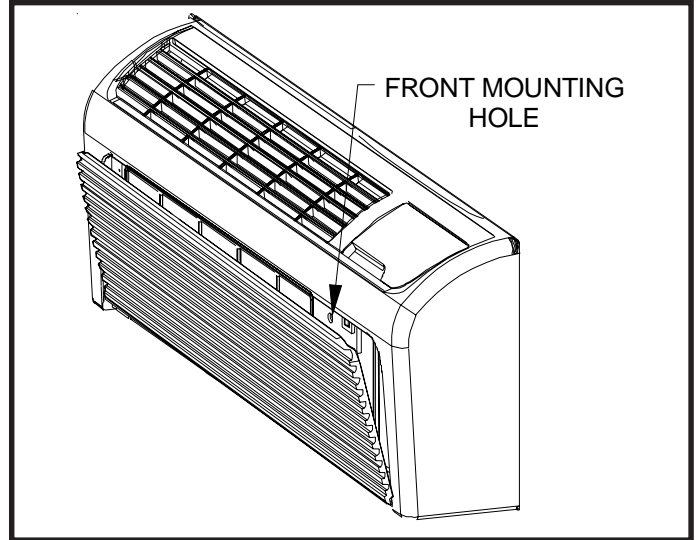
Hole Placement Template

⚠ WARNING

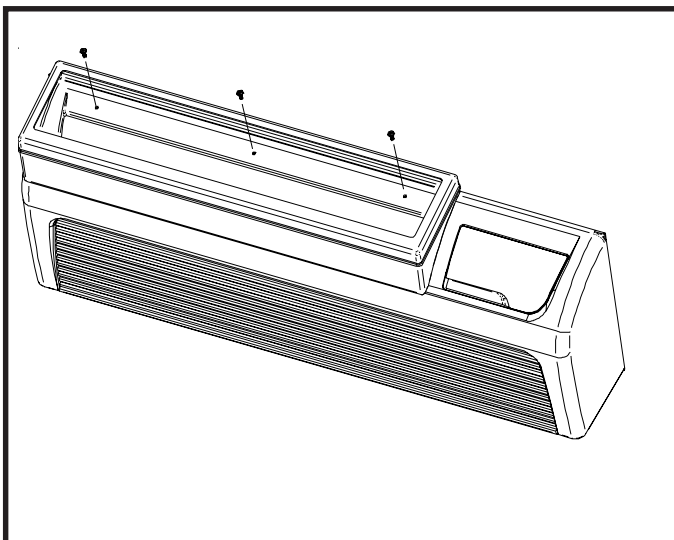
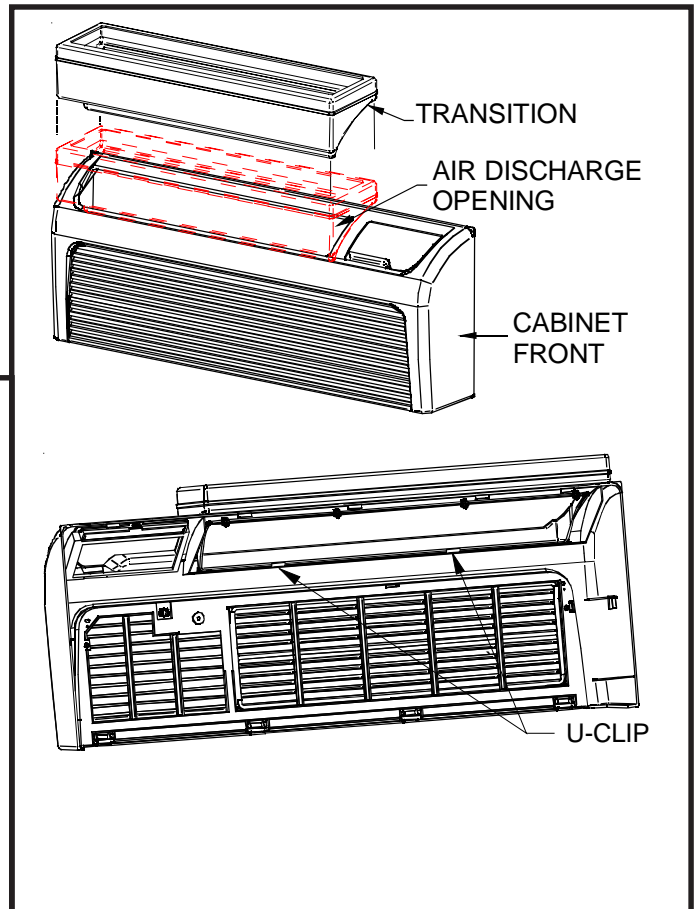
To avoid the risk of personal injury or death due to electrical shock, disconnect power source before removing the chassis.

PRE-ASSEMBLY [TRANSITION/FRONT]

1. If the cabinet front is screwed to the chassis, remove the screw located behind the inlet grille. Pull the inlet grille forward from the top of the grille to access two screws.
2. Remove cabinet front from chassis by tilting the bottom of the front forward, lifting slightly up and forward.
3. Disengage discharge grille from cabinet front by removing four pal nuts from under the front
4. Place transition in air discharge opening of cabinet front and secure with the provided U-clip.
5. Using 1/8" drill bit, pre-drill holes in front using the actual transition as a template. Fasten with three screws. Do not overtighten.



Cabinet Front Removal



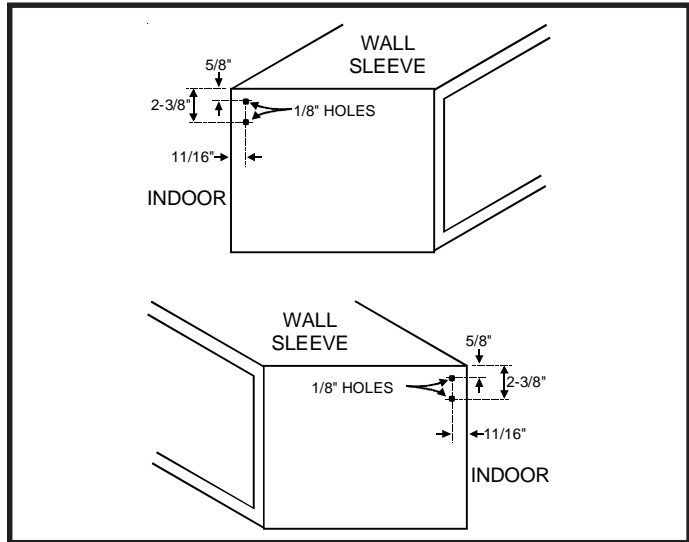
Transition Assembly

MDK Installation Instructions

PRE-ASSEMBLY (WALL SLEEVE) HOLE DIMENSION AND PLACEMENT

1. Unplug and remove chassis from wall sleeve. Drill two 1/8" holes on left and right sides of wall sleeve in proper locations (see template on page 2).
2. Install chassis back into wall sleeve.
3. Install transition/front assembly on to chassis. Make sure top of cabinet front catches metal flange on chassis.

NOTE: If there is not enough clearance between sleeve and partition wall to drill the holes, layout and drill the holes from inside the sleeve.



Wall Sleeve Hole Placement

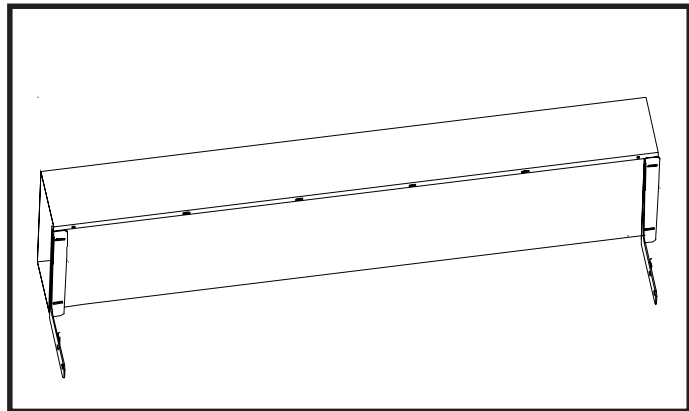
MDK ASSEMBLY

Determine if the duct is to be extended to the right of the unit (where controls are located) or to the left of the unit (opposite the controls).

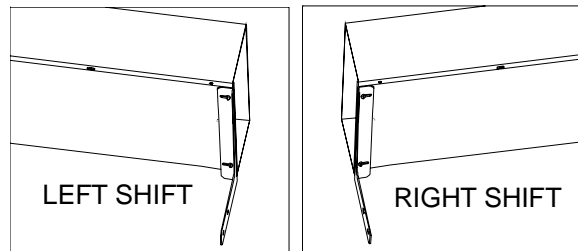
For left side extensions remove the main duct end cap and reinstall on the right end of the duct. Using the four painted sheetmetal screws, secure the two mounting brackets to the main duct.

Two mounting slots are provided in each bracket. To mount extension on right side, adjust bracket so the screws are in left side of bracket slots; for mounting extension on the left, adjust brackets so the screws are in right side of slots.

On right side extensions shift the brackets to the right.
For left side extensions shift the brackets to the left.



Mounting Brackets Installation



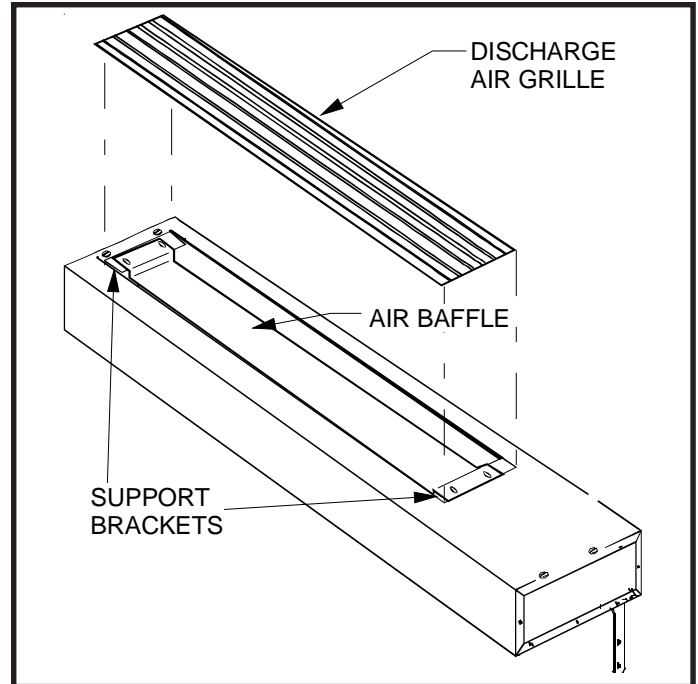
Air Baffle Installation Instructions

- Determine amount of air desired at main duct and at extension duct. Using the table provided, select the appropriate baffle.

BAFFLE	DIMENSIONS	AIRFLOW	
		MAIN DUCT	EXT. DUCT
Small	3 11/16" x 31 3/4"	80%	20%
Large	4 5/16" x 31 3/4"	65%	35%

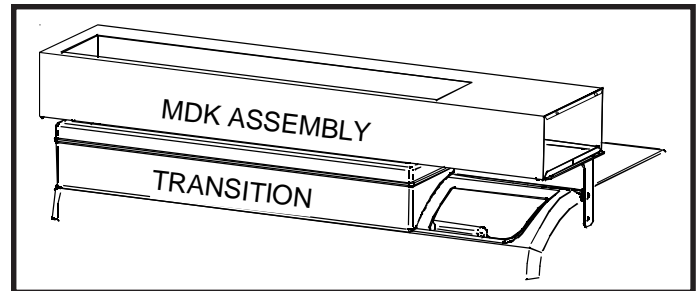
Table 1

- Place baffle on grille support brackets on main duct. Ensure the two extruded holes of the baffle are on top of the front bracket holes.
- Install discharge air grille on top of the air baffle. Secure the grille to the duct with pal nuts (provided) by reaching through the opening in the bottom of the duct.



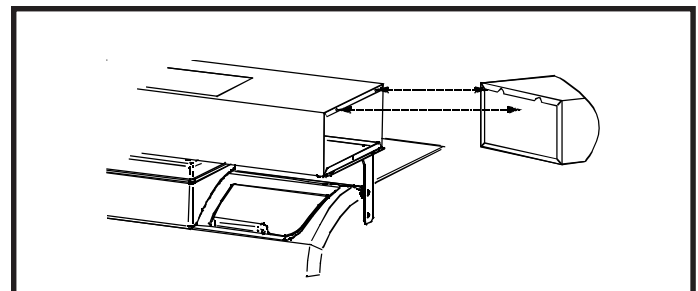
Air Grille Installation

- Place main duct assembly on the transition. Secure the brackets to the wall sleeve with four #10 hex head screws. *Do not apply pressure on top of duct during this installation!*



MDK Installation Onto Transition Assembly

- Install two Phillips head screws into the top flange of the main supply duct at extension duct connection. Do not tighten screws. Leave space for one thickness of the duct sheet metal between screw head and main duct flange.

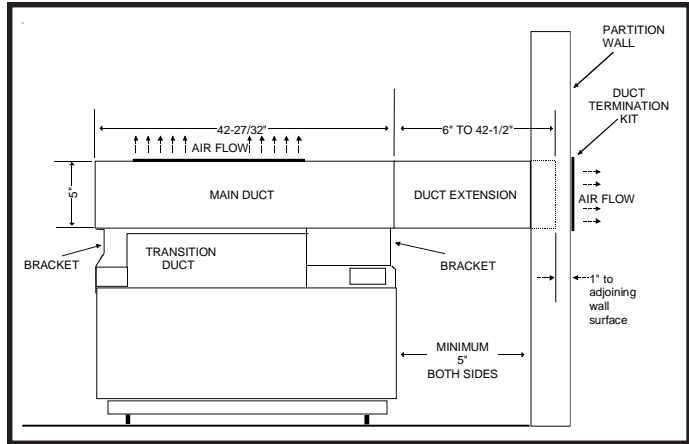


Main Supply Duct Top Flange

NOTE: Total length of duct extension assembly, including field supplied duct between main and extension duct, should not exceed 15 effective feet (according to ASHRAE standards). For additional dimensions, refer to *Main Duct and Duct Extension Dimensions* illustration.

Air Baffle Installation Instructions

- In the room where the main duct kit is attached to the chassis, cut a hole in the wall at the same height from the floor that the main duct is located. Cut the hole 1/8" larger than the width and height (10" x 5") dimensions of the extension duct.
- Measure from the end of the main duct where the extension duct will be connected to the hole in the wall. If necessary cut the extension duct to a length where the cut end protrudes into the wall's inner space and one inch from the adjoining room's wall surface.
- Insert the extension duct into the opening in the wall. Install the extension duct by placing the slotted flange over the two screws in the main duct. Using two #8 round Phillips head screws, mount bottom of extension duct to mounting bracket through the bracket slot (see *Main Supply Duct Top Flange illustration*).



Main Duct and Duct Extension Dimensions

NOTE: The EDK02 can be cut into two sections and used with two MDK02s if the needed length does not exceed 21-1/4".

TDK Installation Instructions

IMPORTANT NOTE

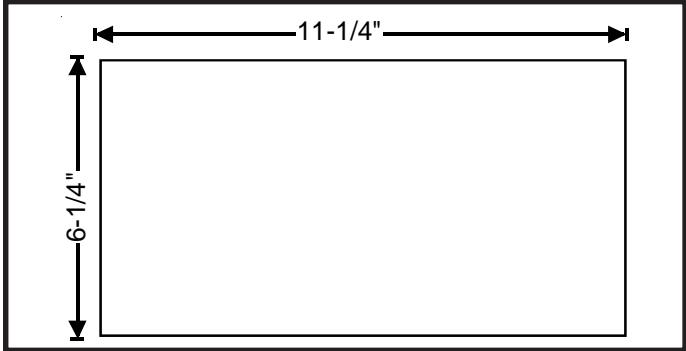
ANY FIELD-SUPPLIED GRILLE, MUST HAVE FIXED LOUVERS THAT CANNOT BE CLOSED.

The sheet metal collar of the terminal duct kit must be mounted in the wall of the adjoining room opposite the room where the main duct kit is attached to the PTAC chassis.

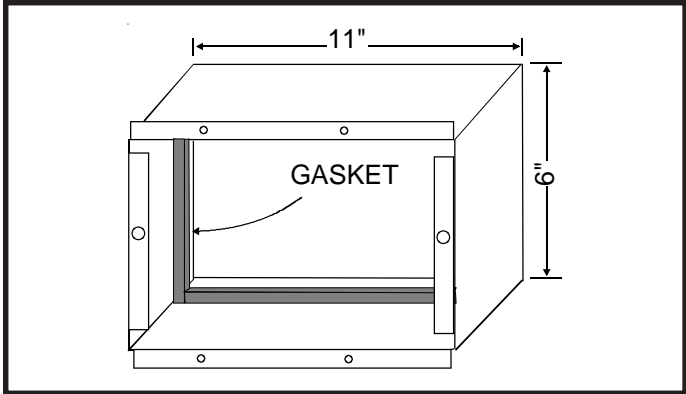
1. Cut a hole in the wall of the adjoining room such that the hole is centered on the extension duct that is currently in the wall of the opposite room. See wall hole dimensions illustration for sheet metal collar.
2. Insert the sheet metal collar into the wall so that the

flanges will mount flush to the wall after the collar is pushed all the way into the wall. While pushing the collar into the wall make sure the extension duct is inside the collar. Use four #8 screws to attach metal collar to wall.

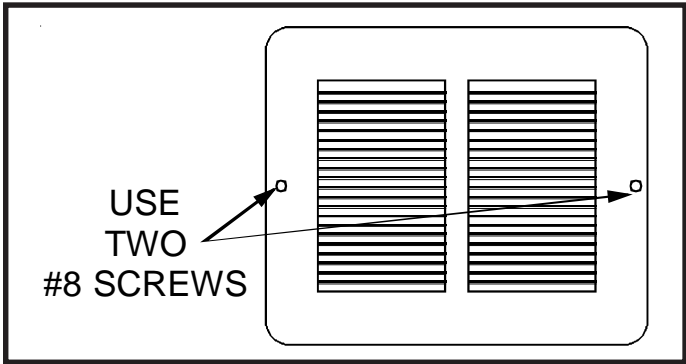
3. Center the metal grille over the sheet metal collar and use two #8 screws (provided) to attach the grille to the metal collar .



Wall Hole Dimension



Sheet Metal Collar



Metal Grille

