

KICHLER®

52" Chiara LED

Product images may vary slightly from actual product.



INSTRUCTION MANUAL



TABLE OF CONTENTS

SAFETY RULES	4	INSTALLING THE MOTOR HOUSING	11
TOOLS REQUIRED	5	INSTALLING THE SWITCH HOUSING	12
PACKAGE CONTENTS	5	INSTALLING THE LED LIGHT KIT AND SHADE	13
MOUNTING OPTIONS	6	INSTALLING THE WALL CONTROL	14
HANGING THE FAN	7	CONTROL SYSTEM SET-UP.....	15
INSTALLATION OF SAFETY SUPPORT	8	OPERATING INSTRUCTIONS	15
ELECTRICAL CONNECTIONS	9	TROUBLESHOOTING.....	16
FINISHING THE INSTALLATION	10	FCC WARNING.....	17



SAFETY RULES

1. To reduce the risk of electric shock, insure electricity has been turned off at the circuit breaker or fuse box before beginning.
 2. All wiring must be in accordance with the National Electrical Code and local electrical codes. Electrical installation should be performed by a qualified licensed electrician.
 3. **WARNING:** To reduce the risk of fire or electric shock, use only the control provided with the fan.
 4. **WARNING:** To reduce the risk of fire, electric shock, or personal injury, mount to outlet box UL-listed marked "Acceptable for fan support of 15.9 kg (35 lbs) or less and use mounting screws provided with the outlet box and/or support directly form building structure. Most outlet boxes commonly used for the support of luminaires are not acceptable for fan support and may need to be replaced, consult a qualified electrician if in doubt.
8. Avoid placing objects in the path of the blades.
 9. To avoid personal injury or damage to the fan and other items, be cautious when working around or cleaning the fan.
 10. Do not use water or detergents when cleaning the fan or fan blades. A dry dust cloth or lightly dampened cloth will be suitable for most cleaning.
 11. After making the electrical connections, spliced conductors should be turned upward and pushed carefully up into outlet box. The wires should be spread apart with the ground wire and white (common) wire to one side with the black (load) wire to the other side of the outlet box.

WARNING: TO REDUCE THE RISK OF FIRE, ELECTRIC SHOCK OR PERSONAL INJURY, MOUNT FAN TO OUTLET BOX MARKED "ACCEPTABLE FOR FAN SUPPORT".

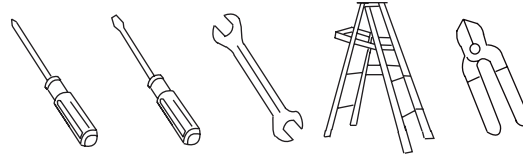
5. The outlet box and support structure must be securely mounted and capable of reliably supporting a minimum of 35 pounds. Use only CUL Listed outlet boxes marked "FOR FAN SUPPORT".
6. The fan must be mounted with a minimum of 7 feet clearance from the trailing edge of the blades to the floor.
7. Do not operate reversing switch while fan blades are in motion. Fan must be turned off and blades stopped before reversing blade direction.

WARNING: TO REDUCE THE RISK OF PERSONAL INJURY, DO NOT BEND THE BLADE BRACKETS (ALSO REFERRED TO AS FLANGES) DURING ASSEMBLY OR AFTER INSTALLATION. DO NOT INSERT OBJECTS IN THE PATH OF THE BLADES.



TOOLS REQUIRED

- Phillips screwdriver
- Blade screwdriver
- 11 mm wrench
- Step ladder
- Wire cutters

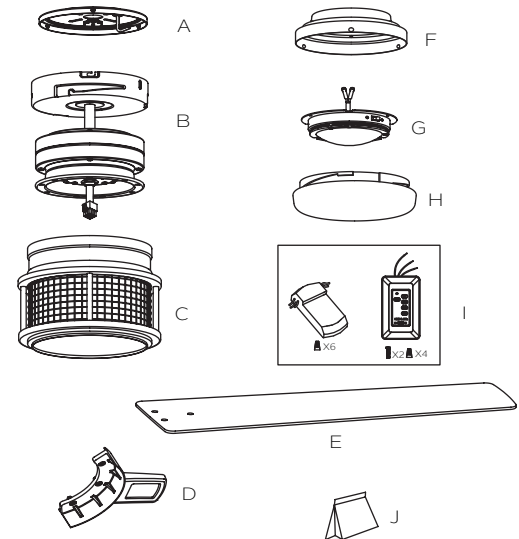


PACKAGE CONTENTS

Unpack your fan and check the contents . You should have the following items:

- A. Mounting Plate
- B. Motor Body
- C. Motor Housing
- D. Blade Bracket(3)
- E. Fan Blade (3)
- F. Switch Housing
- G. LED Light Kit
- H. Shade
- I. Wall Control System

- J. Package hardware
- 1) Mounting hardware :
Wood screw (2) ,Flat Washer (2) , Screw (2) ,
Lock washer (2), Wire Connector (3)
- 2) Blade attachment hardware :
Screw (14), Fiber Washer (14)
- 3) Safety cable hardware :
Wood screw (1) ,Spring washer (1),
Flat washer (1)
- 4) Balance kit
- 5) Blade Bracket hardware screw(2)



MOUNTING OPTIONS

If there isn't an existing UL (cUL for Canadian Installation) listed mounting box, then read the following instructions. Disconnect the power by removing fuses or turning off circuit breakers.

Secure the outlet box directly to the building structure. Use appropriate fasteners and building materials. The outlet box and its support must be able to fully support the moving weight of the fan (at least 50 lbs). Do not use plastic outlet boxes.

Figures 1, 2 and 3 are examples of different ways to mount the outlet box.

NOTE: Fig.3 is only for fan with downrod hanging system.

NOTE: If you are installing the ceiling fan on a sloped (vaulted) ceiling, you may need a longer downrod to maintain proper clearance between the tip of the blade and the ceiling. A minimum clearance of 12" is suggested for optimal operation.

NOTE: Depending on the location you have selected for installation, you may need to purchase and install a "Joist Hanger" for the support of the outlet box. Make sure the joist hanger you purchase has been designed for use with ceiling fans. (Fig. 4)

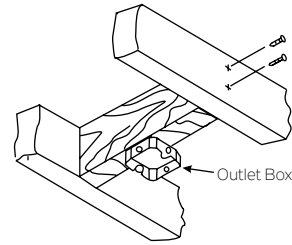


Fig. 1

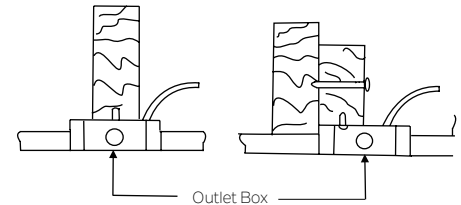


Fig. 2

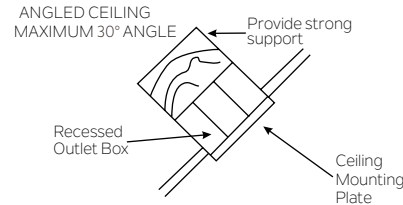


Fig. 3

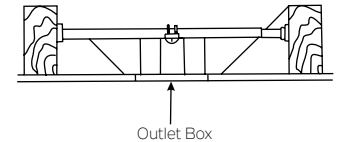


Fig. 4



HANGING THE FAN

REMEMBER to turn off the power before you begin installation. This is necessary for your safety and also the proper programming of the control system. To properly install your ceiling fan, follow the steps below.

Step 1. Before attaching fan to outlet box (not included), ensure the outlet box is securely fastened to at least two points to a structural ceiling member (a loose box will cause the fan to wobble). Pass the 120 volt supply wires from the ceiling outlet box through the center of the ceiling mounting plate. Install mounting plate to outlet box in ceiling using the screws and washers included with the outlet box or screws and washers in the hardware bag. (Fig. 5)

Step 2. Hook the motor body onto the mounting plate as shown. You can now proceed with the electrical wiring of your fan. (Fig. 6)

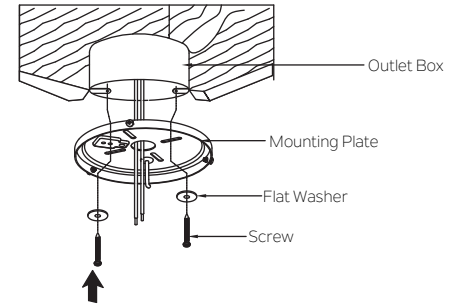


Fig. 5

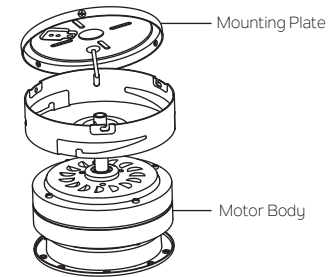


Fig. 6



INSTALLATION OF SAFETY SUPPORT (required for Canadian installation ONLY)

A safety support cable is provided to help prevent the ceiling fan from falling, please install it as follows.

Step 1. Drive a wood screw and washers into the side of the brace that holds the outlet box. Leave 3mm (1/8") of space between the support brace and the washer. (Fig. 7)

Step 2. Insert the safety cable through the mounting plate and one of the holes in the outlet box into the ceiling. Adjust the length of the safety cable to reach the screw and washers by pulling the extra cable through the cable clamp until the overall length is correct, put the end of the cable back through the cable clamp, forming a loop at the end of the cable. Tighten the cable clamp securely. Now, put the loop in the end of the safety cable over the wood screw and under the washer. Tighten the wood screw securely. (Fig. 8)

NOTE: Although the safety support cable is required for Canadian installations only. It's a good idea to make the attachment with any installation.

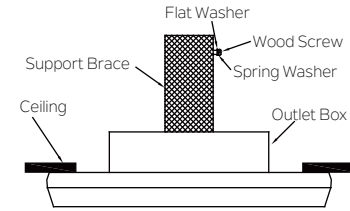


Fig. 7

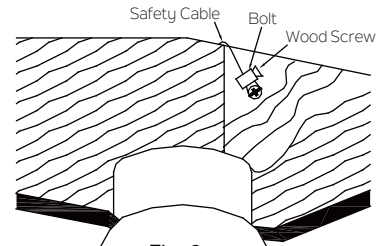


Fig. 8

MAKE THE ELECTRICAL CONNECTIONS

WARNING: To avoid possible electrical shock, be sure you have turned off the power at the main circuit panel before wiring. Follow the steps below to connect the fan to your household wiring. Use the wire connecting nuts supplied with your fan. Secure the connector with electrical tape. Make sure there are no loose wire stands or connections.

WARNING: If your house wires are different colors than referenced in this manual, stop immediately. A professional electrician is recommended to determine proper wiring.

Step 1. Motor to Receiver Electrical Connections:

Connect the BLACK wire from the fan to BLACK wire marked "TO MOTOT L" from the receiver.

Connect the WHITE wire from the fan to the WHITE wire marked "TO MOTOR N" from the receiver.

Connect the BLUE wire from the fan to the BLUE wire marked "FOR LIGHT " from the receiver.

Secure all the wire connections with the plastic wire connectors provided. (Fig. 9)

Step 2. Remote Receiver to Outlet Box Electrical Connections:

Connect the BLACK (hot) wire from the ceiling to the BLACK wire marked "AC IN L" from the receiver.

Connect the WHITE (Neutral) wire from the ceiling to the WHITE wire marked " AC IN N" from the receiver.

Step 3. Ground wires connections:

Connect the GROUND wire from outlet box to the GREEN wires from the fan and mounting plate.(Fig. 9)

Secure the wire connections with the plastic wire connectors provided .(Fig. 9)

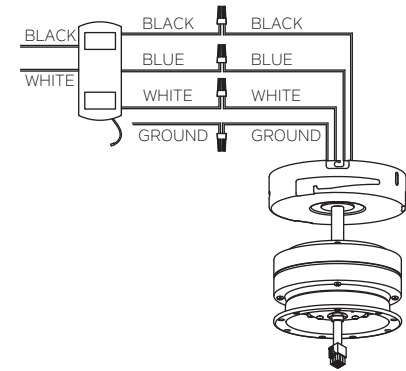


Fig. 9

MAKE THE ELECTRICAL CONNECTIONS

Step 4. Peel off the liner paper on the receiver, secure the receiver in place on the mounting plate cover, and keep flat in opposition of ceiling. (Fig. 10)

NOTE: Carefully tuck the wire connections up into the outlet box.

NOTE: Fan must be installed at a maximum distance of 30 feet from the transmitting unit for proper signal transmission between the transmitting unit and the fan's receiving unit.

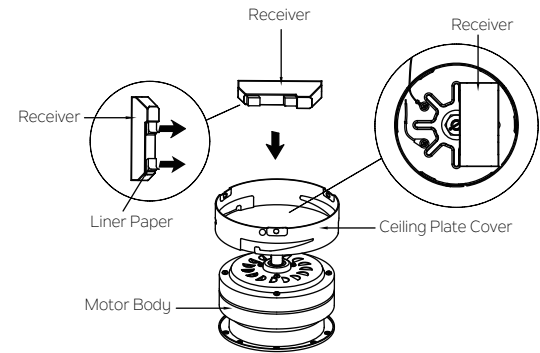


Fig. 10

FINISHING THE INSTALLATION

NOTE: Before continuing, make sure the power is disconnected by turning off the circuit breaker or removing the fuse at the circuit box.

Step 1. Remove the screw marked with a dot label pre-installed on mounting plate and keep for later use. Loosen the other two (do not remove). (Fig. 11)

Step 2. Lift up the motor body onto the mounting plate, place the two slot holes on the mounting plate cover over the 2 screws previously loosened from the mounting plate. Rotate the mounting plate cover until it locks in place at the narrow end of the key holes. Secure by tightening the 2 screws and the one previously removed. (Fig. 11)

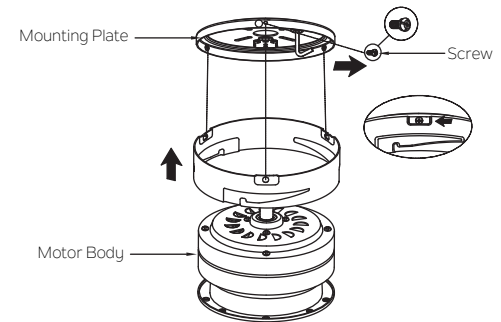


Fig. 11

INSTALLING THE MOTOR HOUSING

NOTE: Before continuing, make sure the power is disconnected by turning off the circuit breaker or removing the fuse at the circuit box.

Step 1. Align the tabs inside the motor housing with the slots on the mounting plate cover. Screw the motor housing onto the mounting plate cover clockwise.

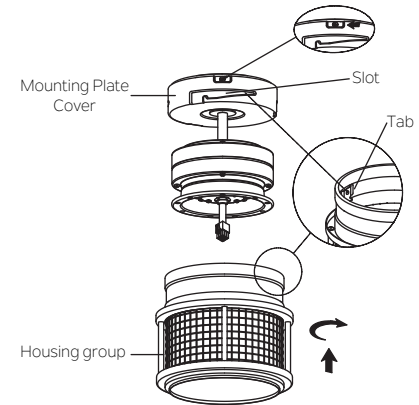


Fig. 12

ATTACHING THE FAN BLADES

NOTE: Before continuing, make sure the power is disconnected by turning off the circuit breaker or removing the fuse at the circuit box.

Step 1. Position the blade over the blade bracket with threaded posts showing. Make sure the bottom edge of the blade is fully seated against the blade bracket. With a Phillips screwdriver, start a blade screw and washer into the blade bracket (do not tighten) and repeat for the 2 remaining blade screws and washers. Tighten each screw securely starting with the center screw. Make sure the blade is straight. Repeat steps for the remaining blades. (Fig. 13)

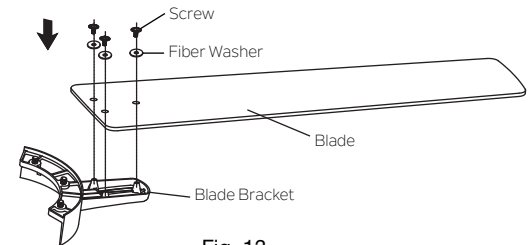


Fig. 13

ATTACHING THE FAN BLADES

Step 2. Fasten blade assembly to the holes located on the bottom of the flywheel. Tighten the two "pre-installed" motor screws in the blade bracket. Repeat steps for the remaining blades assemblies.(Fig. 14)

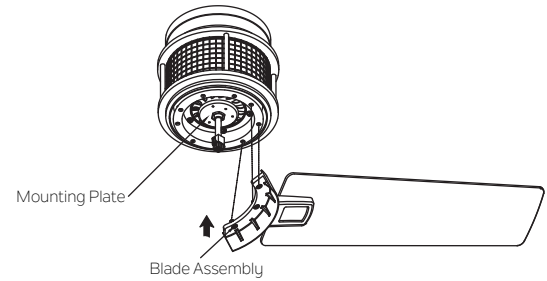


Fig. 14

INSTALLING THE SWITCH HOUSING

NOTE: Before continuing , make sure the power is disconnected by turning off the circuit breaker or removing the fuse at the circuit box.

Step 1. Remove one of the screw preinstalled on mounting plate and keep for later use. Loosen the other two (do not remove). Place the two slot holes on the switch housing over the 2 screws previously loosened from the mounting plate. Rotate the switch housing until it locks in place at the narrow end of the key holes. Securely by tightening the 2 screws previously loosened and the one previously removed. (Fig. 15)

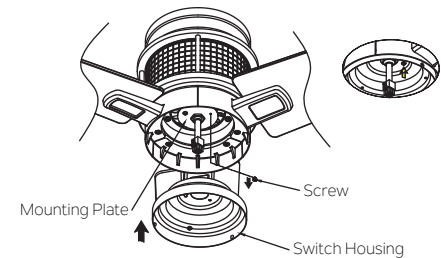


Fig. 15

INSTALLING THE LIGHT KIT AND SHADE

NOTE: Before continuing installation, confirm that the power is still turned off at the main circuit breaker or by removing the circuit fuse. Turning the power off using a wall switch is not sufficient to prevent electrical shock.

Step 1. Remove three(3) screws preinstalled on outer side of switch housing and keep for use later. (Fig. 16)

Step 2. Attach the connector from the LED light kit to the connector from motor assembly.(Fig.16)

NOTE: The two connectors have keyholes that must be mated correctly before they can be engaged.

Step 3. Tuck the connections neatly into the light kit. Align three round holes on the light kit and switch housing. Securely tighten with 3 screws removed on step 1.(Fig.16)

Step 4. Secure the shade to switch housing by twisting in a clockwise direction. Do not over-tighten. (Fig. 17)

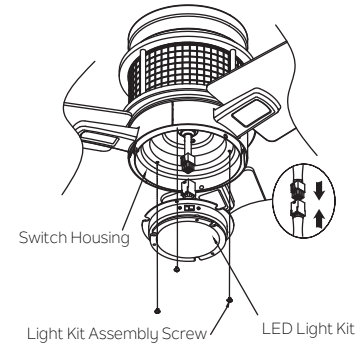


Fig. 16

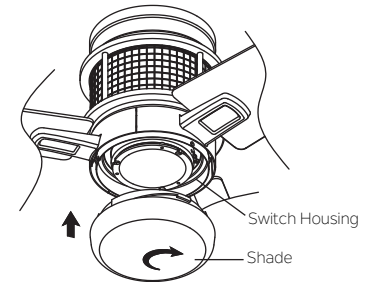


Fig. 17

INSTALLING THE WALL CONTROL

All wiring must be in accordance with the National Electrical Code and local electrical codes. Electrical installation should be performed by a qualified licensed electrician. Select a location to install your wall control. You can replace an existing wall switch, or install the wall control on ANY flat surface.

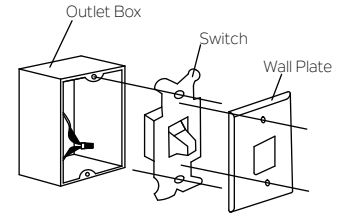


Fig. 18

NOTE: SWITCH INSTALLATION MUST COMPLY WITH ALL LOCAL AND NATIONAL ELECTRIC CODE .

Step 1. Remove the existing wall plate and the old switch from the wall outlet box. Wire nut the BLACK leads (hot) together and push back inside the outlet box. (Fig. 18) or select the desired location with a new wall outlet box.

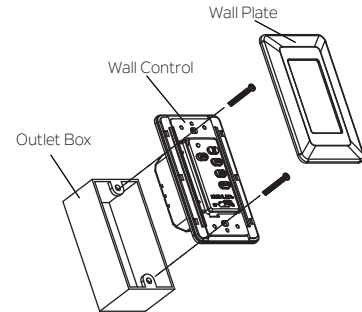


Fig. 19

Step 2. Use the screws provided to secure the wall control to the outlet box.(Fig. 19)



CONTROL SYSTEM SET-UP

Step 1. After installation is complete, press the LEARN button for 3 seconds within 30 seconds once AC power is turned on. Fan will turn on at medium speed and light (if installed) will turn on. This confirms that the SMART SYNC setting is active and ok. (Fig. 20)

Step 2. If you cannot finish the setting within the 30 seconds time frame, the main power must be turned off and re-started again. This will repeat step 1 until the LEARN feature is activated as indicated.

OPERATING INSTRUCTIONS

Restore power to ceiling fan and test for proper operation (Fig. 20)

1. Fan Control: To start the fan. Press the selected speed button to run the fan at the desired speed: Hi-high speed; MED-medium speed; LOW-low speed; Press the "FAN OFF" button to turn off the fan.

2. Light button: Press once to turn the light on or off. Continuous pressure on the light button dims light in a continuous cycle from light to dark, or dark to light.

3. If your ceiling fan has fluorescent lighting, please slide the switch to "O" position. If the ceiling fan has incandescent or halogen lighting or LED, please slide the switch to "D" position.

4. REV switch: Controls direction, forward or reverse. (Fig. 21)

NOTE: The reverse switch is located on the LED light kit, remove the shade to access the switch. Slide reverse switch to change fan rotation.

NOTE: Wait for fan to stop and shade to be cool before reversing the direction of the blade rotation.

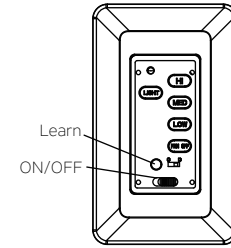


Fig. 20

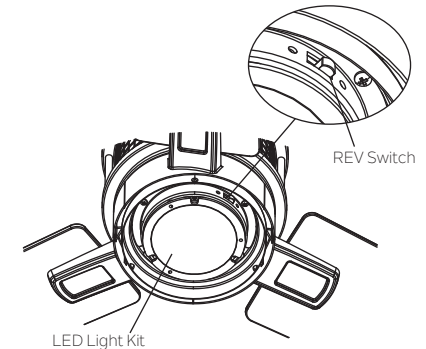


Fig. 21

TROUBLESHOOTING

Problem

Solution

Fan will not start.

1. Check circuit fuses or breakers.
2. Check all electrical connections to insure proper contact. **CAUTION:** Make sure the main power is OFF when checking any electrical connection.
3. Make sure the transmitter batteries are installed properly. Positive (+) side facing out.
4. Insure the batteries have a good charge.

Fan sounds noisy.

1. Make sure all motor housing screws are snug.
2. Make sure the screws that attach the fan blade brackets to the motor are tight.
3. Make sure wire nut connections are not rubbing against each other or the interior wall of the switch housing. **CAUTION:** Make sure main power is off.
4. Allow a 24-hour "breaking-in" period. Most noise associated with a new fan disappear during this time.
5. If using an optional light kit, make sure the screws securing the glassware are tight. Make sure the light bulbs are not touching any other component.
6. Do not connect this fan to a wall mounted variable speed control(s). They are not compatible with ceiling fan motors or remote controls.
7. Make sure the upper canopy has a short distance from the ceiling. It should not touch the ceiling.

Fan wobble.

1. Check that all blade and blade arm screws are secure.
2. Most fan wobbling problems are caused when blade levels are unequal. Check this level by selecting a point on the ceiling above the tip of one of the blades. Measure this distance. Rotate the fan until the next blade is positioned for measurement. Repeat for each blade. The distance deviation should be equal within 1/8".
3. Use the enclosed Blade Balancing Kit if the blade wobble is still noticeable.
4. If the blade wobble is still noticeable, interchanging two adjacent (side by side) blades can redistribute the weight and possibly result in smoother operation.



TROUBLESHOOTING

Problem

Solution

Remote control malfunction.

1.Ceiling Fans with remote control systems CAN NOT be operated in conjunction with any other control system EXCEPT a basic On/Off wall switch, if desired.

FCC WARNING

This device complies with part 15 of the FCC Rules. Operation is subject to the following two conditions:

(1) This device may not cause harmful interference, and (2) this device must accept any interference received, including interference that may cause undesired operation.

Changes or modifications not expressly approved by the party responsible for compliance could void the user's authority to operate the equipment.

NOTE: This equipment has been tested and found to comply with the limits for a Class B digital device, pursuant to part 15 of the FCC Rules. These limits are designed to provide reasonable protection against harmful interference in a residential installation. This equipment generates, uses and can radiate radio frequency energy and, if not installed and used in accordance with the instructions, may cause harmful interference to radio communications. However, there is no guarantee that interference will not occur in a particular installation. If this equipment does cause harmful interference to radio or television reception, which can be determined by turning the equipment off and on, the user is encouraged to try to correct the interference by one or more of the following measures:

Reorient or relocate the receiving antenna, increase the separation between the equipment and receiver, and connect the equipment into an outlet on a circuit different from that to which the fan is connected.



KICHLER®

www.kichler.com

KICHLER® LIGHTING LLC

7711 EAST PLEASANT VALLEY ROAD P.O. BOX 318010

CLEVELAND, OHIO 44131-8010

CUSTOMER SERVICE 866.558.5706

8:30 AM TO 5:00 PM EST, MONDAY - FRIDAY

