

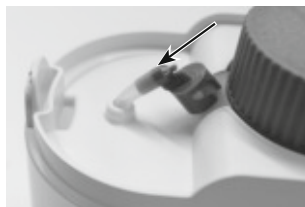
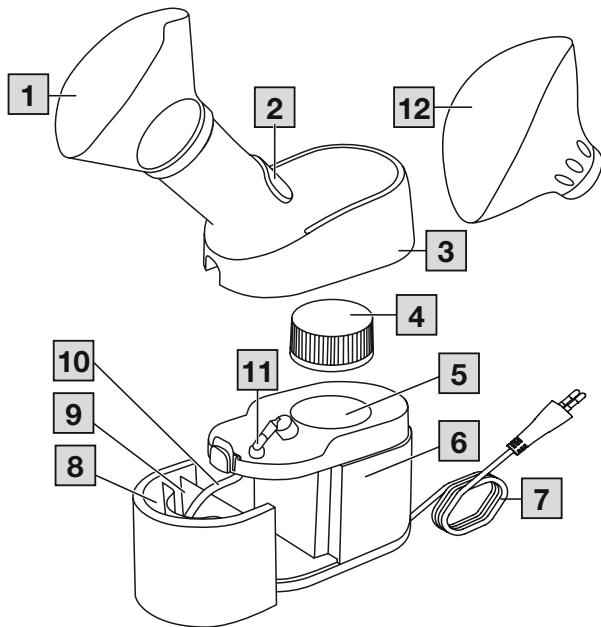
beurer

SI 40



EN Steam vaporiser
Instructions for use

CE





Read these instructions for use carefully and keep them for later use. Make them accessible to other users and note the information they contain.

Contents

1. Included in delivery	3
2. Signs and symbols	3
3. Intended use	4
4. Warnings and safety notes	4
5. Device description	5
6. Initial use	5
7. Usage	6
8. Cleaning and maintenance	6
9. Accessories and replacement parts	7
10. What if there are problems?	7
11. Disposal	7
12. Technical specifications	7
13. Warranty / service	7

1. INCLUDED IN DELIVERY

Check that the exterior of the cardboard delivery packaging is intact and make sure that all contents are present. Before use, ensure that there is no visible damage to the device or accessories and that all packaging material has been removed. If you have any doubts, do not use the device and contact your retailer or the specified Customer Service address.

- Steam vaporiser
- Aroma mask
- Facial sauna mask
- These instructions for use

2. SIGNS AND SYMBOLS

The following symbols are used on the device, in these instructions for use, on the packaging and on the type plate for the device:

WARNING
Indicates a potentially impending danger. If it is not avoided, there is a risk of death or serious injury.
CAUTION
Indicates a potentially impending danger. If it is not avoided, slight or minor injuries may result.

NOTICE

Indicates a potentially harmful situation. If it is not avoided, the system or something in its vicinity may be damaged.

	Observe the instructions for use
	Protection class 2 device
	Manufacturer
I	On
O	Off
IP21	Protected against foreign objects equal to or greater than 12.5 mm in diameter and against vertically falling drops of water
CE	This product satisfies the requirements of the applicable European and national directives.
	Marking to identify the packaging material. A = Material code, B = Material number: 1-7 = Plastics, 20-22 = Paper and cardboard
SN	Serial number
	Separate the product and packaging elements and dispose of them in accordance with local regulations.
UK CA	United Kingdom Conformity Assessed Mark
REF	Item number
#	Type number
	Temperature limit
	Humidity limitation

3. INTENDED USE

This device is specifically designed to generate steam using vapourisation, in order to humidify your skin and the ambient air. You can also use it with additives, such as essential oils.

Once it has been properly prepared, the device can be used again. Preparation involves exchanging the masks and disinfecting the surface of the device using a conventional disinfectant. Please note that the masks should always be exchanged if the device is used by more than one person. We recommend that you replace the mask after one year.

4. WARNINGS AND SAFETY NOTES

WARNING

- Before use, ensure that there is no visible damage to the device or accessories. If you have any doubts, do not use the device and contact your retailer or the specified Customer Service address.
- In the event of device faults, please see Chapter "Troubleshooting".
- This is not a medical device. Always consult your doctor if you require medical treatment.
- This device may be used by children over the age of 8 and by people with reduced physical, sensory or mental skills or a lack of experience or knowledge, provided that they are supervised or have been instructed on how to use the device safely, and are fully aware of the consequent risks of use.
- Children must not play with the device.
- Please observe the general hygiene measures when using the steam vaporiser.
- If the device does not work properly, or you feel unwell or experience pain, stop using it immediately.
- Do not position your face too close to the mask, otherwise the hot steam could cause burn injuries. Close your eyes during the treatment and protect heat-sensitive zones.
- Never open the device (remove the cover, unscrew the lid) while it is in operation. Allow the device to cool down first. Otherwise, you may get burnt.
- Do not operate the device in the presence of flammable gases or if there is a high oxygen concentration.
- Never leave the device unattended while in use.
- The device must be switched off and the plug pulled out before every cleaning and/or maintenance procedure.
- Keep packaging material away from children (risk of suffocation).
- To avoid the risk of entanglement and strangulation, store the cable out of the reach of small children.
- Do not use any additional parts that are not recommended by the manufacturer.
- The device must only be connected to the mains voltage that is specified on the type plate.

- Never submerge the device in water and do not use it in the bathroom. Under no circumstances may liquid enter the device.
- Protect the device from heavy impact.
- Never touch the mains cable with wet hands, as you could get an electric shock.
- Do not pull the mains plug out of the socket using the mains cable.
- Do not crush or bend the mains cable, pull it over sharp-edged objects or leave it dangling down, and protect it from sources of heat.
- We recommend that the power cable is completely unrolled to avoid dangerous overheating.
- If the mains connection cable of this device is damaged, it must be replaced by the manufacturer, its customer service department or a similarly qualified person to avoid any risks.
- If the device is opened, there is a risk of electric shock. Disconnection from the power supply network is only guaranteed if the mains plug is unplugged.
- If the device has been dropped, exposed to high levels of moisture or suffered any other damage, it must no longer be used. If in doubt, contact Customer Services or the retailer.
- The steam vaporiser may only be operated with the appropriate accessories.

CAUTION

- Power cuts, sudden interference or other unfavourable conditions could lead to the device becoming inoperable. For this reason, we recommend that you have a spare device at your disposal.
- Never use the device with extension cables.
- Never store the device or the power cable near to sources of heat.
- Do not use the device in a room in which a spray has previously been used. Air the room before carrying out the treatment.
- Never insert anything into the vents.
- Never block the vents.
- Never use the device when the aroma container is empty.
- Never use the device when the water heater tank is empty.
- For hygiene reasons, it is essential that every user uses their own accessories.
- Always disconnect the mains plug from the mains socket after use.
- Store the device in a location protected against climatic influences. The device must be stored in the environmental conditions specified.

PROTECTION

- The device has a protection fuse. This may only be replaced by authorised specialist personnel.
- The device also has a thermal fuse, which switches the steam vaporiser off if it overheats. In the event of overheating, the

light on the ON/OFF switch turns off automatically. If this happens, proceed as follows:

1. Switch off the device first.
2. Pull the mains plug out of the socket.
3. Wait for at least 30 minutes until the device has cooled down completely.
4. Switch the device back on and check whether it is working properly again. If it does, you can continue using the device again. If it does not, please contact Customer Services or an authorised retailer.

General notes

⚠ CAUTION

- The device is suitable only:
 - for use on people,
 - for the purpose for which it was developed and as specified in these instructions for use.
- Any form of improper use can be dangerous.
- In the event of an acute emergency, providing first aid must take top priority.
- Only use distilled water and aroma oils. Other liquids may potentially cause a fault in the steam vaporiser.
- This device is not intended for commercial or clinical use; it is designed exclusively for self-treatment in a private home.

Prior to initial use

⚠ CAUTION

- Remove all packaging material before using the device.
- Protect the device against dust, dirt and humidity and never cover the device while it is in use.
- Do not operate the device in a very dusty area.
- Switch the device off immediately if it is faulty or not working properly.
- The manufacturer is not liable for damage resulting from improper or incorrect use.

Repairs

NOTICE

- Under no circumstances should you open or repair the device yourself, as faultless functionality can no longer be guaranteed thereafter. Failure to comply with this instruction will void the warranty.
- The device is maintenance-free.
- For repairs, please contact Customer Services or an authorised retailer.

5. DEVICE DESCRIPTION

The associated drawings are shown on page 3.

- 1 Aroma mask
- 2 Variable steam regulator
- 3 Cover
- 4 Lid
- 5 Water heater tank
- 6 ON/OFF switch
- 7 Mains connector cable
- 8 Return container
- 9 Aroma container
- 10 Suction tube
- 11 Nozzle
- 12 Facial sauna mask

6. INITIAL USE

NOTICE

Follow the instructions in the Chapter “Cleaning and disinfection” before using the device for the first time or if it has not been used for an extended period.

1. Remove the device from the packaging. Ensure that there is a mains socket close to the set-up area.
2. Place the device on a firm, even surface and pull the cover up and off by pressing the button above the aroma container/return container. **A**
3. Remove the sticker with the warning notice from the cover. Twist the lid anti-clockwise. Observe the marking on the lid when you do this. Remove the lid. **B**
4. Fill the water heater tank with approx. 25 ml of water (do not fill the water heater tank above the “MAX” marking). Always use water to fill the water heater tank and never use any other liquids. **C**
5. Refit the lid and close it tightly by turning it clockwise. Observe the marking on the lid when you do this.
6. Replace the cover from above.
7. Pull out the aroma container/return container. Fill the aroma container with the liquid that you want to atomise (e.g. salt-water solution). Never fill the aroma container above the “MAX” marking (60ml). **D**
8. Re-insert the aroma container/return container into the device. Make sure that the suction tube touches the bottom of the aroma container. **E**

9. Push the variable steam regulator down to produce smaller steam particles, and push it up for larger ones. **F**
10. Make sure that the ON/OFF switch is in the "OFF" position. Arrange the mains cable in such a way that no-one will trip over it. Insert the mains plug into a suitable socket. The device must only be connected to the mains voltage that is specified on the type plate.
11. Select the desired mask for your application (aroma or facial sauna mask).
12. Move the ON/OFF switch to the "ON" position.

7. USAGE

After approx. 2 minutes, the device will start to produce steam. Since each person's temperature sensitivity is different, we recommend starting use with sufficient distance. Do not hold your face directly against the mask. Gradually reduce the distance. Ensure that steam does not escape from the mask and into the eyes. As a result, it is recommended that you close your eyes during treatment.

Treatment with aroma mask during the cold season

During use, sit in an upright and relaxed position at a table and not in an armchair, so as to avoid compressing the airways and therefore impairing effectiveness. Breathe in deeply.

Treatment with facial sauna mask for cosmetic facial care

Sit in front of the device. Bend forward far enough that your face is over the mask. After the treatment, wash your face with cold water. Now apply a facial cream or face mask. The open pores allow the active ingredients to penetrate deep into the skin. Do not use the facial sauna for more than a total of 20 minutes per day. It is recommended that 2 to 3 treatments are performed per week. As soon as the production of steam starts to diminish (maximum duration approx. 10 minutes), turn the ON/OFF switch to the "OFF" position.

After each use, pull the mains plug out of the socket. Allow the device to cool down completely (approximately 10 minutes). Clean the device and the mask used after every use as described in the "Cleaning and maintenance" chapter

8. CLEANING AND MAINTENANCE

⚠ WARNING

Adhere to the following hygiene instructions to avoid health risks. The device must be switched off, disconnected from the mains and allowed to cool down each time before cleaning.

The device must be cleaned after every use

1. Make sure that the device has cooled down (approx. 10 minutes), the ON/OFF switch is in the "OFF" position and the device has been disconnected from the power supply.
2. Pull the cover of the device up and off by pressing on the button above the aroma container/return container.
3. Twist the lid anti-clockwise. Observe the marking on the lid when you do this. Remove the lid. Empty any remaining water from the water heater tank. Then dry it with a clean cloth or let it air-dry completely. Residual moisture or wetness represents an increased risk of bacterial growth. **B**
4. Pull out the aroma container/return container. **D**
5. Clean the aroma container/return container, the cover, the lid, the extension tube and the mask with warm water and a mild cleaning agent. Clean these parts thoroughly and allow them to dry completely. Residual moisture or wetness represents an increased risk of bacterial growth.
6. Once the parts are completely dry, you can reassemble the device.
7. Store the device in a cool, dry place.

Cleaning the main unit

- Never submerge the main unit in water.
- Clean the main unit using a soft, slightly damp cloth and a mild cleaning agent. Then wipe dry with a soft, lint-free cloth. Do not use any chemical or abrasive cleaning agents.

NOTICE

Any other cleaning method or type of cleaning product could damage the device. Failure to comply with this instruction will void the warranty.

Cleaning the nozzle

NOTICE

Periodically, the nozzle that directs the steam into extension tube may become blocked. When the device starts to produce significantly less steam, or no steam at all, you need to clean the nozzle.

1. Pull the cover up and off.
2. Turn the nozzle in a clockwise direction. Pull the nozzle up and off.
3. Insert a thin object (for example a needle) into the nozzle in order to clean the air duct. **G**
4. To reattach the nozzle, align the grips of the nozzle with the recesses on the nozzle head. Turn the nozzle anticlockwise, until you feel the grips of the nozzle click into place.

Disinfection

The relevant mask can be disinfected using boiling water.

- Remove the mask from extension tube.
- Place the mask into boiling water for 5 minutes.

- Then dry the mask carefully using a soft cloth.
- Re-attach the mask to the extension tube once it has completely dried.

Storage

- Do not store in damp conditions (such as in a bathroom) and do not transport with any damp items.
- When storing and transporting, protect from prolonged direct sunlight.
- Store the device in a dry place, ideally in the original packaging.

9. ACCESSORIES AND REPLACEMENT PARTS

Designation	Material	REF
Mask	PVC	601.34
Facial sauna mask	PVC	603.85

10. WHAT IF THERE ARE PROBLEMS?

Problem/question	Possible cause/remedy
The ON/OFF switch has been switched on, but the device is not working.	1. Check the power connection to the socket and check whether the mains plug has been plugged in correctly.
	2. The device has a thermal fuse. Following switch-off, the mains plug must be pulled out and a waiting period observed (see the section on fuses in Chapter 3 „Warnings and safety notes“).
The device is switched on but produces no or hardly any steam.	1. Check that there is water in the container of the water heater tank.
	2. Check that there is liquid in the aroma container.
	3. Make sure that the suction tube and other components have been attached properly.
	4. Check the nozzle for blockages. Clean the nozzle if necessary (see “Cleaning the nozzle” section in the “Cleaning and disinfection” chapter)
Does everyone need a separate mask?	Yes, this is absolutely essential for hygiene reasons.

11. DISPOSAL

For environmental reasons, do not dispose of the device in the household waste.

Please dispose of the device in accordance with EC Directive – WEEE (Waste Electrical and Electronic Equipment).



If you have any questions, please contact the local authorities responsible for waste disposal.

12. TECHNICAL SPECIFICATIONS

Model	SI 40
Dimensions (Includes Facial sauna mask) (W x H x D)	300 x 315 x 130 mm
Weight	738 g
Filling volume of internal water heater	Max. 25 ml
Aroma container filling volume	Max. 60 ml
Mains connection	220 – 240 V~; 50 – 60 Hz
Steam temperature	Approx. 43°C
Water boiling time	Approx. 2 minutes
Maximum operation time	Approx. 10 minutes
Operating conditions	Temperature: +10°C to +40°C Relative humidity: 10% to 95% Ambient pressure: 700 hPa to 1060 hPa
Storage and transportation conditions	Temperature: 0°C to +60°C Relative humidity: 10% to 95% Ambient pressure: 500 hPa to 1060 hPa

Subject to technical changes.

Please contact the specified service address to obtain further information, such as the CE Declaration of Conformity.

13. WARRANTY / SERVICE

Further information on the guarantee and guarantee conditions can be found in the guarantee leaflet supplied.



UK: Beurer UK Ltd., Suite 16, Stonecross Place, Stonecross Lane North, WA3 2SH Lowton, United Kingdom



Beurer GmbH • Söflinger Str. 218 • 89077 Ulm, Germany • www.beurer.com



601.32_SI40_2026-02-12_11_IM2_BEU_EN