

# **VEVOR<sup>®</sup>**

## **TOUGH TOOLS, HALF PRICE**

Technical Support and E-Warranty Certificate [www.vevor.com/support](http://www.vevor.com/support)

## **HITCH CARGO CARRIER**

**MODEL:GJ0082**

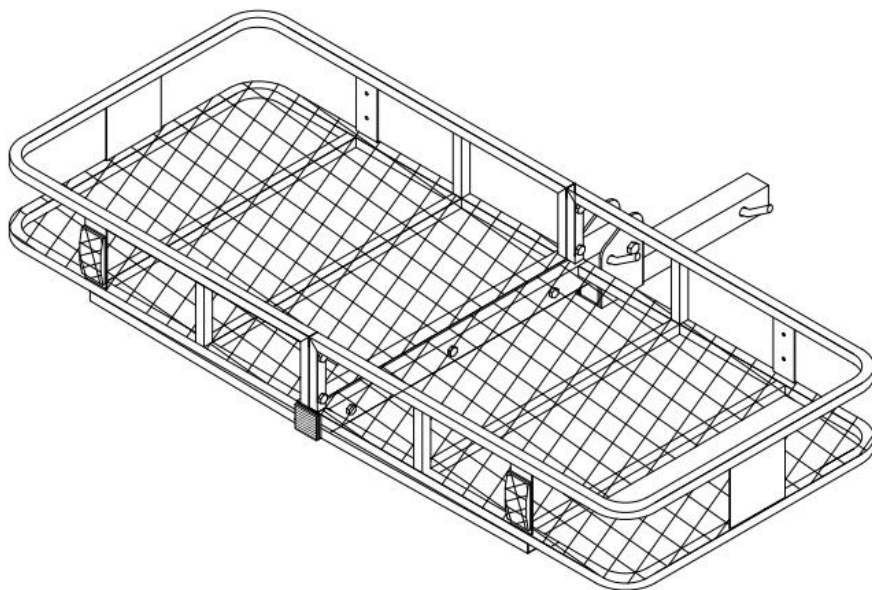
We continue to be committed to provide you tools with competitive price. "Save Half", "Half Price" or any other similar expressions used by us only represents an estimate of savings you might benefit from buying certain tools with us compared to the major top brands and does not necessarily mean to cover all categories of tools offered by us. You are kindly reminded to verify carefully when you are placing an order with us if you are actually Saving Half in comparison with the top major brands.

# VEVOR<sup>®</sup>

TOUGH TOOLS, HALF PRICE

## HITCH CARGO CARRIER

MODEL: GJ0082



### NEED HELP? CONTACT US!

Have product questions? Need technical support? Please feel free to contact us:

**Technical Support and E-Warranty Certificate**  
**[www.vevor.com/support](http://www.vevor.com/support)**

This is the original instruction, please read all manual instructions carefully before operating. VEVOR reserves a clear interpretation of our user manual. The appearance of the product shall be subject to the product you received. Please forgive us that we won't inform you again if there are any technology or software updates on our product.



## Safety & Warning

- Read and understand this entire manual before assembling, installing, operating, or servicing this product. Failure to follow these warnings and instructions can cause death, personal injury or damage to valuable property.
- Adhere to all Department of Transportation (D.O.T.) requirements when using this product. Use ropes and tie downs (not included) to securely hold all cargo in place.
- For the vehicle that will support the Cargo Carrier, read all pertinent vehicle instructions and warnings provided in the owner's manual. Make sure the vehicle's engine is OFF, with parking brake set, before loading or unloading the Cargo Carrier.
- This Cargo Carrier must be attached to a 2"x2" Class III or Class IV hitch receiver. The hitch must be properly installed by a qualified service technician and be certified to support the weight of this Cargo Carrier and its contents.
- This Cargo Carrier is designed to haul firewood, coolers and other similar loads. Do not modify the Carrier and do not use this product for purposes that it was not designed for.
- Do not overload the Cargo Carrier. Never exceed the maximum weight capacity.
- When assembly is complete, check and test all vehicle systems including lights and brakes; make sure no damage occurred during product installation.
- Frequently check the condition of the Cargo Carrier and the vehicle's hitch receiver. Make sure all components are in good condition. If the Cargo Carrier or hitch receiver become damaged through accident, or if any weld damage is noted, the product should be replaced. Check to make sure that all hardware is tightly secured in place. Keep the Cargo Carrier clean.
- Use common sense when working. Stay alert and concentrate when setting up and using the Cargo Carrier. Never work while under the influence of alcohol, drugs or medications.
- While assembling and using the Cargo Carrier keep work area clean and well lighted. Keep spectators and children out of the work area.
- Dress appropriately. Never wear loose fitting clothing or jewelry when working.

Contain long hair, and keep hair, clothing and gloves away from moving parts.

- Be aware of the danger of "dynamic loading". This situation arises when a load is dropped onto the Carrier, resulting in a short term excessive load. Dynamic loading can result in damage and failure of the Carrier and/or hitch receiver, and personal injury to the person loading the Carrier.
- Never load people or animals into the Cargo Carrier.
- Weight inside the Cargo Carrier should be evenly distributed, with heavier items positioned towards the center of the Carrier.
- Note the position of the vehicle's exhaust pipes before setting up the Cargo Carrier. Make sure exhaust pipes are not in close proximity of the Cargo Carrier; flammable goods in the Cargo Carrier could catch on fire due to heat from the exhaust. If this risk exists on your vehicle, do not use the Cargo Carrier.
- Do not ride in vehicle being loaded or unloaded. Load and unload vehicle slowly, according to manual instructions.

## Specifications

Model Series	GJ0082
Maximum Load Capacity (lbs)	500
Cargo Basket Dimensions (mm)	1525X609X152
Gross Weight(kg)	23.9

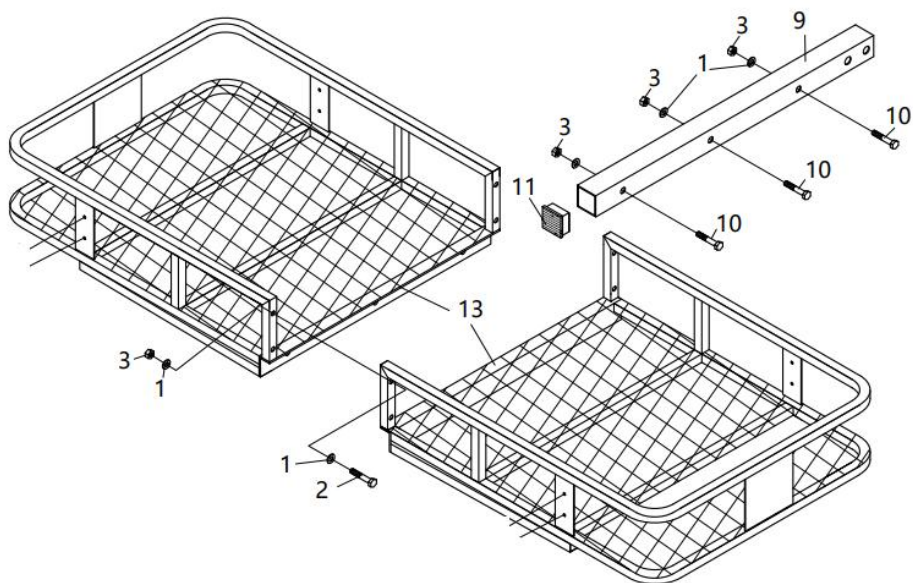
### WARNING

Before setting up or using this product, read the entire "IMPORTANT SAFETY INFORMATION" section at the beginning of this manual, including all the text under the sub - headings therein.

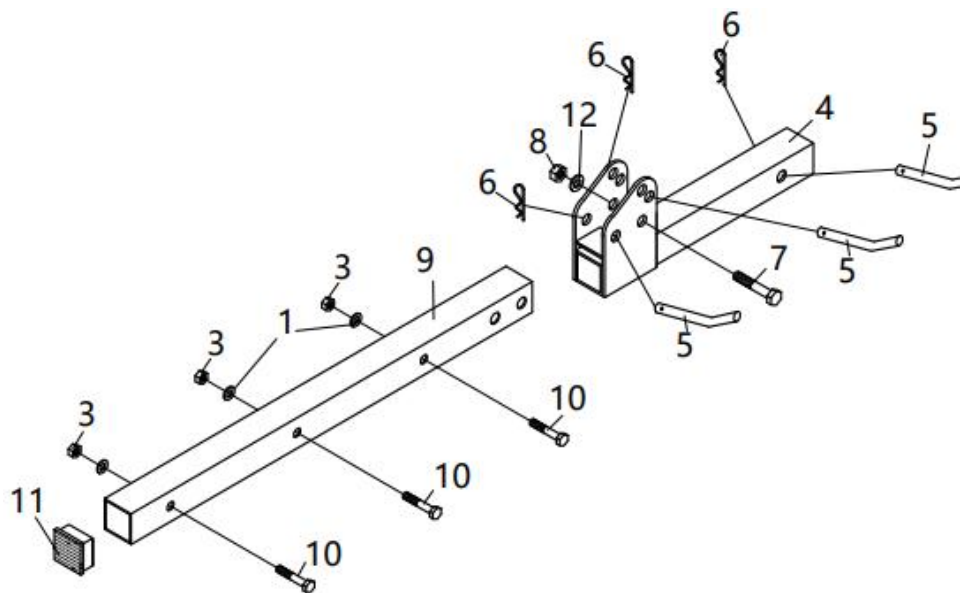
**Note:** For additional information about the parts listed on the following pages, refer to the Parts List and Assembly Diagram on page 7.

**Note: Only finger - tighten the bolts until the carrier is fully assembled.**

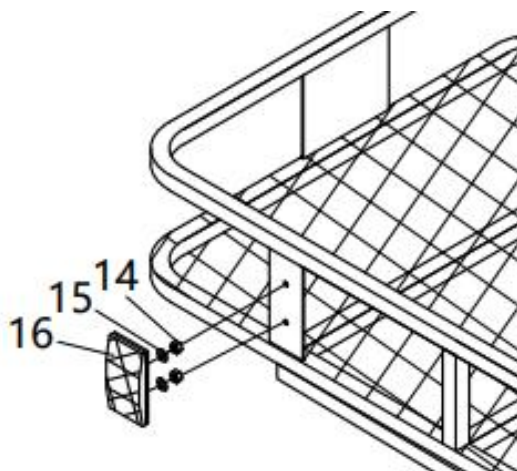
## PRODUCT DESCRIPTION



A. Open frame (13) first, insert the Support Tube (9), and lock the frame and support tube with screws and nut washers (10/3/1), connect frame (13), lock left side and right side with screws and nut washers(1/2/3)

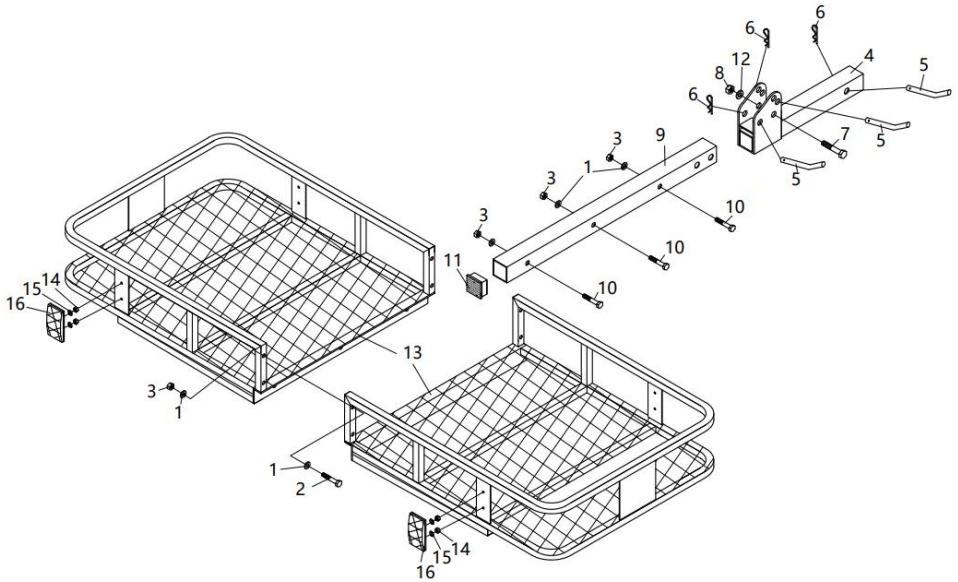


B. Connect Hitch Tube(4) to Support Tube(9)



C. Fix the Reflector (14 16 15)

## PARTS LIST AND ASSEMBLY DIAGRAM



Part	Description/mm	Qty	Part	Description/mm	Qty
1	Washer M10	11	9	Support Tube	1
2	Connecting Bolt M10*60	4	10	Bolt M10*75	3
3	Nut M10	7	11	End Cap	1
4	Hitch Tube	1	12	Washer M16	1
5	Hitch Pin 16	3	13	Frame	2
6	R-Pin	3	14	Nut M5	2
7	Bolt M16*85	1	15	Spring Washer M5	2
8	Nut M16	1	16	Reflector	2

## Operation Instructions



Read the ENTIRE IMPORTANT SAFETY INFORMATION section at the beginning of this document, including all text under sub - headings therein, before setting up or using this product.

Before setting up or using this product, read the entire IMPORTANT SAFETY INFORMATION section at the beginning of this document, including all the text under its sub - headings.

**WARNING!** Do not exceed this carrier's maximum weight capacity of 500 pounds.

1. Remove the R - Pin (6) from the carrier's Hitch Pin (5).
2. With assistance, lift the carrier by the post and insert the hitch end into the towing vehicle's tow hitch (not included).
3. Slide the Hitch Pin through the pin holes and fasten it in place with the R - Pin.
4. With assistance, place the items to be loaded onto the carrier. Make sure the load is evenly balanced on the carrier. Secure the load in place using appropriate tie - downs, ropes, flags, etc. (not included).

**NOTICE!** Contact the local Department of Transportation to verify that all safety guidelines are being followed before transporting the load.

## Maintenance and Servicing



Procedures not specifically explained in this manual must be performed solely by a qualified technician.

Cleaning, Maintenance, and Lubrication

1. **BEFORE EACH USE**, inspect the general condition of the Carrier. Check for:
  - loose hardware;
  - misalignment or binding of parts;
  - cracked or broken parts; and
  - any other condition that may affect its safe operation.

2. Clean the carrier after each use. Make sure there is no dirt, oil, grease or debris on the carrier.

**PLEASE READ THE FOLLOWING CAREFULLY.**

THE MANUFACTURER AND/OR DISTRIBUTOR HAS PROVIDED THE PARTS LIST IN THIS DOCUMENT AS A REFERENCE TOOL ONLY. NEITHER THE MANUFACTURER NOR THE DISTRIBUTOR MAKES ANY REPRESENTATION OR WARRANTY OF ANY KIND TO THE BUYER THAT HE OR SHE IS QUALIFIED TO MAKE ANY REPAIRS TO THE PRODUCT, OR THAT HE OR SHE IS QUALIFIED TO REPLACE ANY PARTS OF THE PRODUCT. IN FACT, THE MANUFACTURER AND/OR DISTRIBUTOR EXPRESSLY STATES THAT ALL REPAIRS AND PARTS REPLACEMENTS SHOULD BE UNDERTAKEN BY CERTIFIED AND LICENSED TECHNICIANS, AND NOT BY THE BUYER. THE BUYER ASSUMES ALL RISK AND LIABILITY ARISING OUT OF HIS OR HER REPAIRS TO THE ORIGINAL PRODUCT OR REPLACEMENT PARTS THEREOF, OR ARISING OUT OF HIS OR HER INSTALLATION OF REPLACEMENT PARTS THEREOF.

**Manufacturer:** Shanghaimuxinmuyeyouxiangongsi

**Address:** Shuangchenglu 803nong11hao1602A-1609shi, baoshanqu, shanghai 200000 CN.

**Imported to AUS:** SIHAO PTY LTD. 1 ROKEVA STREETEASTWOOD NSW 2122 Australia

**Imported to USA:** Sanven Technology Ltd. Suite 250, 9166 Anaheim Place, Rancho Cucamonga, CA 91730

<b>EC</b>	<b>REP</b>
-----------	------------

E-CrossStu GmbH  
Mainzer Landstr.69, 60329 Frankfurt am Main.

<b>UK</b>	<b>REP</b>
-----------	------------

YH CONSULTING LIMITED.  
C/O YH Consulting Limited Office 147, Centurion House,  
London Road, Staines-upon-Thames, Surrey, TW18 4AX

**VEVOR<sup>®</sup>**

**TOUGH TOOLS, HALF PRICE**

**Technical Support and E-Warranty Certificate**

**[www.vevor.com/support](http://www.vevor.com/support)**