



Szeplo II<sup>TM</sup>  
300300, 300301, 300302  
A Kichler® Decor™ ceiling fan



Includes wall mount  
control system



**KICHLER**<sup>®</sup>

Kichler® Lighting  
7711 East Pleasant Valley Road  
P.O. Box 318010  
Cleveland, Ohio 44131-8010

Customer Service  
866.558.5706  
8:30 AM to 5:00 PM EST,  
Monday - Friday

Instruction Manual

**KICHLER**<sup>®</sup>



## 1. SAFETY RULES

1. To reduce the risk of electric shock, insure electricity has been turned off at the circuit breaker or fuse box before beginning.
2. All wiring must be in accordance with the National Electrical Code and local electrical codes. Electrical installation should be performed by a qualified licensed electrician.
3. **WARNING:** To reduce the risk of fire or electric shock, Use only the control provided with the fan.
4. **WARNING:** To reduce the risk of personal injury, use only the two steel screws (and lock washers) provided with the outlet box for mounting to the outlet box. Most outlet boxes commonly used for the support of lighting fixtures are not acceptable for fan support and may need to be replaced, consult a qualified electrician if in doubt.
5. **WARNING:** To reduce the risk of fire, electric shock, or Personal Injury, mount directly to a structural framing member or to an outlet box marked 'Acceptable for Fan Support of 15.9 kg (35 lbs) or less'. For outlet box mounting, use mounting screws provided with the outlet box.
6. The fan must be mounted with a minimum of 7 feet clearance from the trailing edge of the blades to the floor.
7. To operate the reverse function on this fan, press the reverse button while the fan is running. A few seconds later the fan will slow to a stop and then reverse direction.
8. Avoid placing objects in the path of the blades.
9. To avoid personal injury or damage to the fan and other items, be cautious when working around or cleaning the fan.
10. Do not use water or detergents when cleaning the fan or fan blades. A dry dust cloth or lightly dampened cloth will be suitable for most cleaning.
11. After making the electrical connections, spliced conductors should be turned upward and pushed carefully up into outlet box. The wires should be spread apart with the ground wire and white (common) wire to one side with the black (load) wire to the other side of the outlet box.
12. Electrical diagrams are reference only. Light kits that are not packed with the fan must be ETL Listed and marked suitable for use with the model fan you are installing. Switches must be ETL General Use Switches. Refer to the Instructions packaged with the light kits and switches for proper assembly.

### WARNING

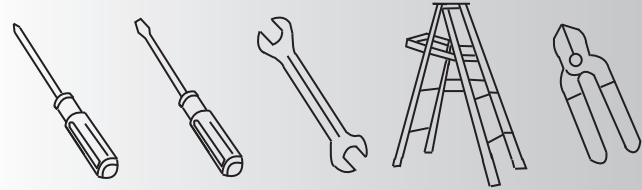
To reduce the risk of fire, electric shock, or Personal Injury, mount directly to a structural framing member or to an outlet box marked 'Acceptable for Fan Support of 15.9 kg(35 lbs) or less'. For outlet box mounting, use mounting screws provided with the outlet box.

### WARNING

TO REDUCE THE RISK OF PERSONAL INJURY, DO NOT BEND THE BLADE BRACKETS (ALSO REFERRED TO AS FLANGES) DURING ASSEMBLY OR AFTER INSTALLATION. DO NOT INSERT OBJECTS IN THE PATH OF THE BLADES.

## 2. TOOLS AND MATERIALS REQUIRED

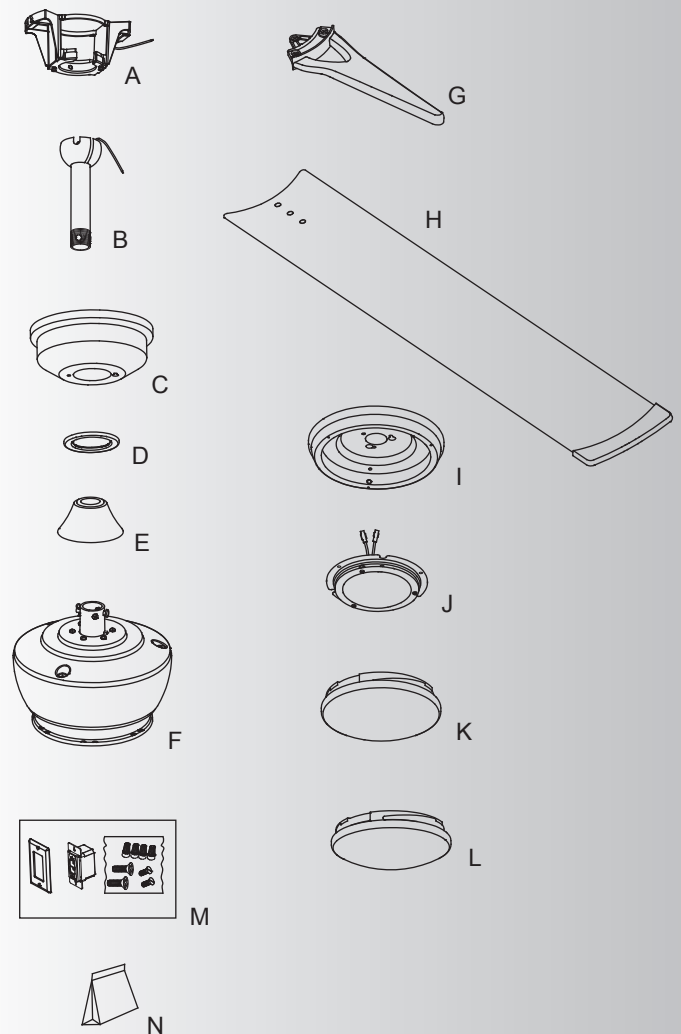
- Philips screw driver
- Blade screw driver
- 11 mm wrench
- Step ladder
- Wire cutters



## 3. PACKAGE CONTENTS

Unpack your fan and check the contents .  
You should have the following items:

- A. Mounting bracket
- B. Ball / downrod assembly
- C. Canopy
- D. Canopy Trim Ring
- E. Coupling cover
- F. Motor Body
- G. Blade Arm (6)
- H. Blade (6)
- I. Switch Housing
- J. Led Assembly
- K. Glass Shade
- L. Steel Cap
- M. Power Kit
- N. Package Hardware
  - 1) Mounting hardware:  
wood screws (2), flat washers (2), screws (2) , lock washers (2), wire nuts (3)
  - 2) Blade arm hardware :  
screw (2)
  - 3) Safety cable hardware :  
wood screw (1) , spring washer (1), flat washer (1)
  - 4) Balance kit
  - 5) Blade Mounting hardware:  
8# screws (20), washers (20)
  - 6) Screw hardware:  
screw (3)



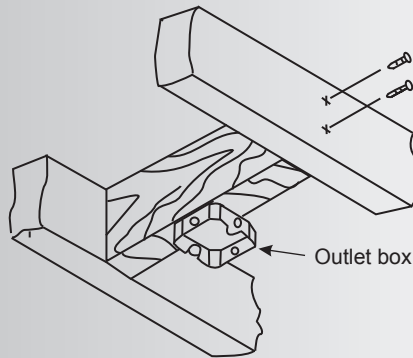


Fig. 1

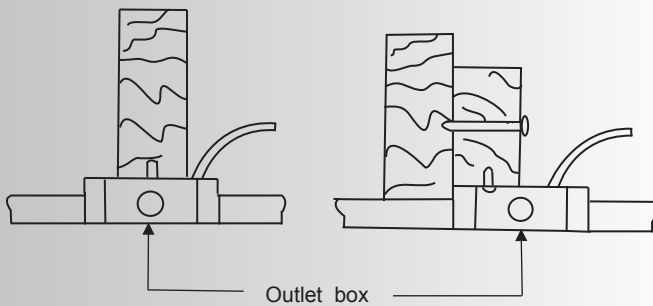


Fig. 2

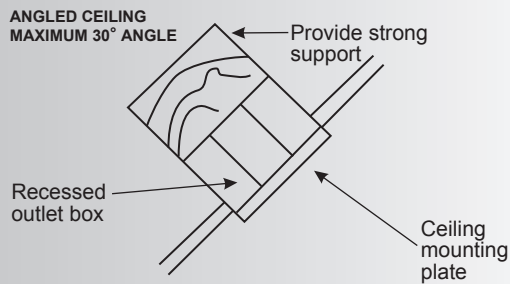


Fig. 3

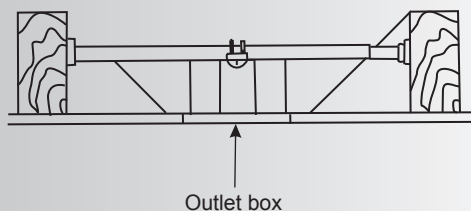


Fig. 4

## 4. MOUNTING OPTIONS

If there isn't an existing ETL listed mounting box, then read the following instructions. Disconnect the power by removing fuses or turning off circuit breakers.

Secure the outlet box directly to the building structure. Use appropriate fasteners and building materials. The outlet box and its support must be able to fully support the moving weight of the fan (at least 50 lbs). Do not use plastic outlet boxes.

Figures 1, 2 and 3 are examples of different ways to mount the outlet box.

**NOTE:** If you are installing the ceiling fan on a sloped (vaulted) ceiling, you may need a longer downrod to maintain proper clearance between the tip of the blade and the ceiling. A minimum clearance of 12" is suggested for optimal operation.

**NOTE:** Depending on the location you have selected for installation, you may need to purchase and install a "Joist Hanger" for the support of the outlet box. Make sure the joist hanger you purchase has been designed for use with ceiling fans. (Fig. 4)

## 5. HANGING THE FAN

**REMEMBER** to turn off the power before you begin installation. This is necessary for your safety and also the proper programming of the control system.

To properly install your ceiling fan, follow the steps below.

**Step 1.** Before attaching fan to outlet box (not included), ensure the outlet box is securely fastened to at least two points to a structural ceiling member (a loose box will cause the fan to wobble). Pass the 120 volt supply wires from the ceiling outlet box through the center of the ceiling mounting bracket. Install mounting bracket to outlet box in ceiling using the screws and washers included with the outlet box or screws and washers in the hardware bag. (Fig. 5)

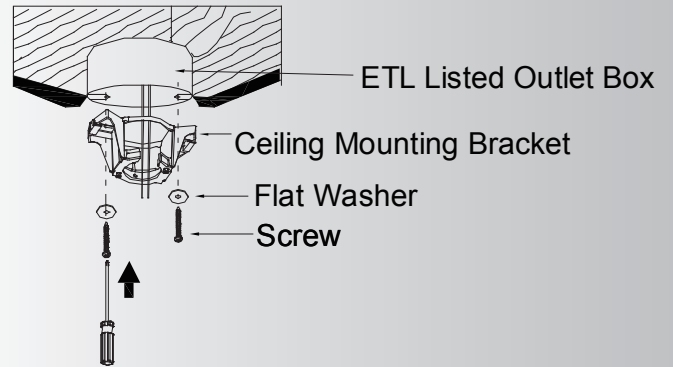


Fig. 5

**Step 2.** Remove the hanger ball from downrod assembly by loosening set screws, removing the cross pin, and twisting ball out of the rod. ( Fig. 6)

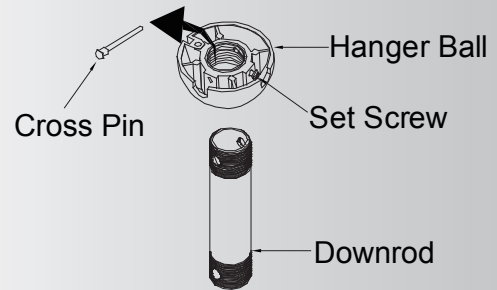


Fig. 6

**Step 3.** Loosen the two set screws and remove the clip and cross pin from the top coupling of the motor body.

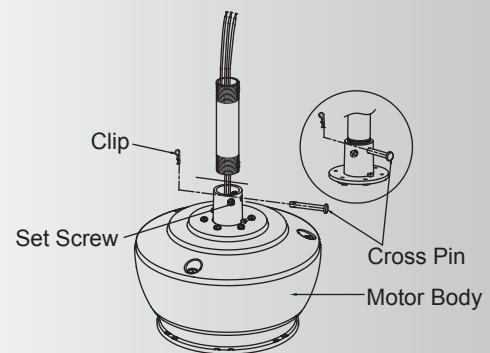


Fig. 7

Carefully feed the fan wires up through the downrod. Thread the downrod onto the motor coupling until the cross pin holes are aligned. Next, replace the cross pin and clip, and tighten both set screws. (Fig. 7)

**Step 4.** Slip the coupling cover, canopy trim ring and canopy onto the downrod. Carefully reinstall the hanger ball onto the downrod. Make sure the cross pin is in the correct position and the set screws are tight and the wires are not twisted. ( Fig. 8)

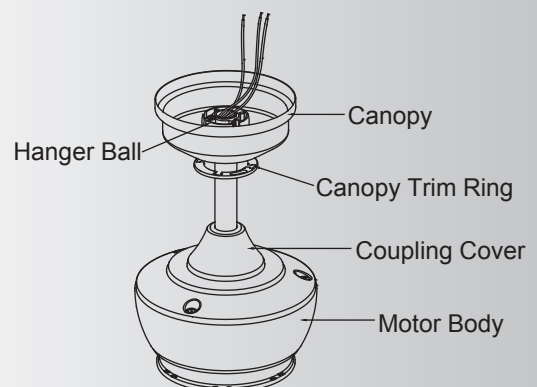


Fig. 8

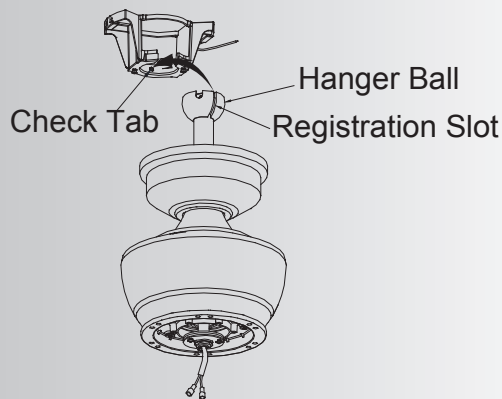


Fig. 9

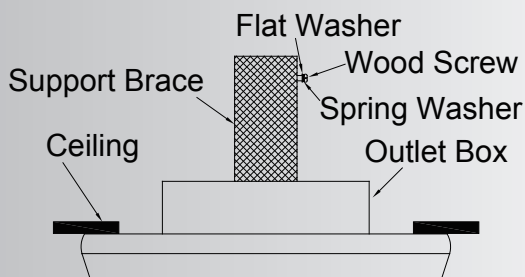


Fig. 10

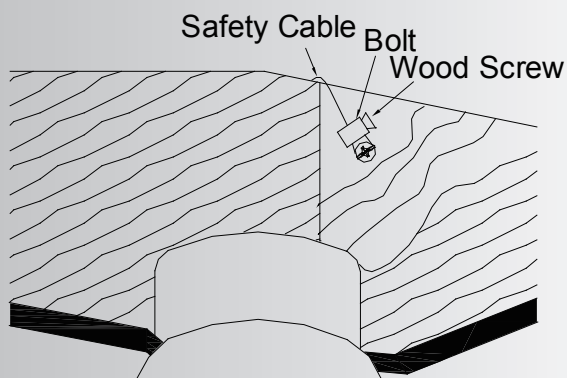


Fig. 11

**Step 5.** Now lift the motor body into position and place the hanger ball into the hanger bracket. Rotate until the "Check Tab" has dropped into the "Registration Slot" and seats firmly. ( Fig. 9) The entire motor body should not rotate if this is done correctly.

**WARNING:** Failure to properly seat the "Check Tab" can damage the ceiling fan during operation.

## 6 . INSTALLATION OF SAFETY SUPPORT (required for Canadian installation ONLY)

A safety support cable is provided to help prevent the ceiling fan from failing, please install it as follows.

**Step 1.** Drive a wood screw and washers into the side of the brace that holds the outlet box. Leave 3mm (1/8") of space between the support brace and the washer. (Fig. 10)

**Step 2.** Insert the safety cable through the mounting bracket and one of the holes in the outlet box into the ceiling. Adjust the length of the safety cable to reach the screw and washers by pulling the extra cable through the cable clamp until the overall length is correct, put the end of the cable back through the cable clamp, forming a loop at the end of the cable. Tighten the cable clamp securely. Now, put the loop in the end of the safety cable over the wood screw and under the washer. Tighten the wood screw securely. (Fig. 11)

**NOTE:** Although the safety support cable is required for Canadian installations only. It's a good idea to make the attachment with any installation.

## 7. HOW TO WIRE YOUR CEILING FAN

If you feel that you do not have enough electrical wiring knowledge or experience, have your fan installed by a licensed electrician.

**Warning:** To avoid possible electrical shock, be sure electricity is turned off at the main fuse box before wiring.

**Note:** If you are not sure if the outlet box is grounded, contact a licensed electrician for advice, as it must be grounded for safe operation.

**Step 1.** Connect the GREEN grounding leads to the grounding conductor of supply (this may be a bare wire or wire with green colored insulation). Securely connect wires with wire connector supplied. (Fig. 12)

**Step 2.** Securely connect the fan WHITE wire to the supply WHITE wire using wire connector supplied. Securely connect the fan BLACK wire to the supply BLACK wire using wire connector supplied. (Fig. 12)

**Step 3.** After connections have been made, turn leads upward and carefully push leads into the outlet box, with the white and green leads on one side of the outlet box and position the black leads on the other side of the outlet box. (Fig. 13)

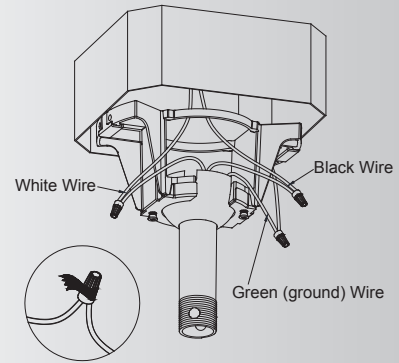


Fig. 12

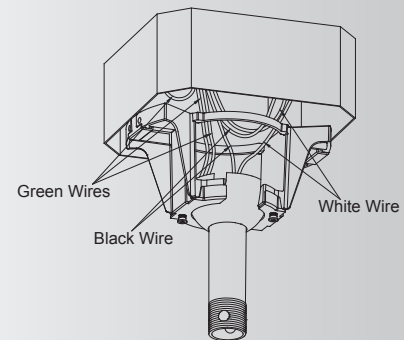


Fig. 13

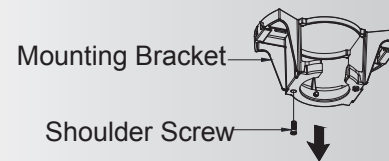


Fig. 14

## 8. INSTALLATION OF THE CANOPY

**Step 1.** Remove one of the two shoulder screws in the mounting bracket. Loosen the second shoulder screw without fully removing it. (Fig. 14)

**Step 2.** Assemble canopy by rotating key slot in canopy over shoulder screw in mounting bracket. Tighten shoulder screw. Fully assembled and tighten second shoulder screw that was previously removed. (Fig. 15)

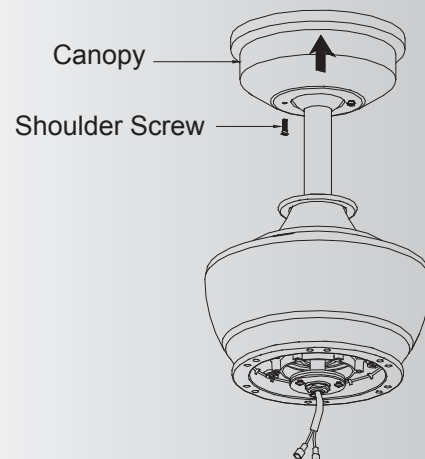


Fig. 15

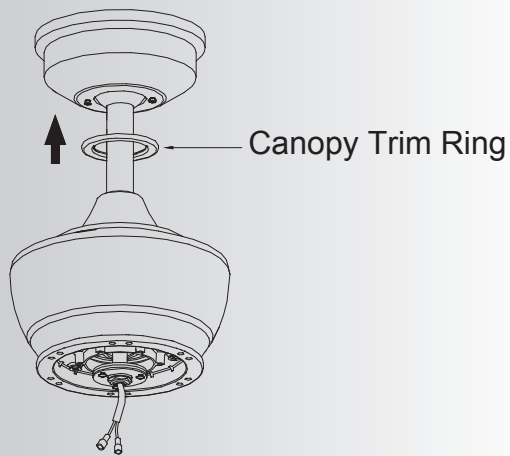


Fig. 16

**Step 3.** Securely attach and tighten the canopy trim ring over the shoulder screws in the mounting bracket utilizing the keyslot twist-lock feature. (Fig. 16)

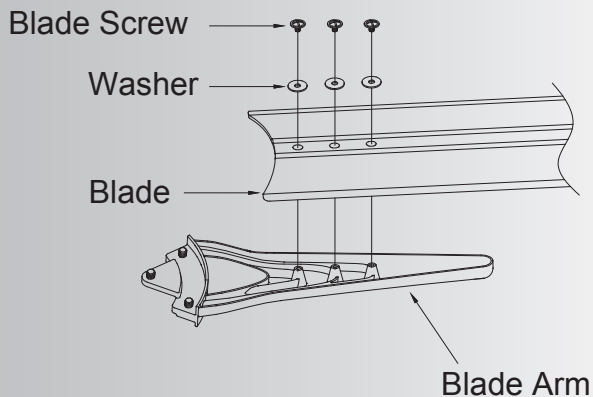


Fig. 17

## 9. ATTACHING THE FAN BLADES

**NOTE:** Before continuing, make sure the power is disconnected by turning off the circuit breaker or removing the fuse at the circuit box.

**Step 1.** Position the blade over the blade arm with threaded posts showing. Make sure the bottom edge of the blade is fully seated against the blade arm. With a Philips screwdriver, start a screw into the blade arm (do not tighten) and repeat for the 2 remaining blade screws and washers. Tighten each screw securely starting with the center screw. Make sure the blade is straight. Repeat steps for the remaining blades. (Fig. 17)

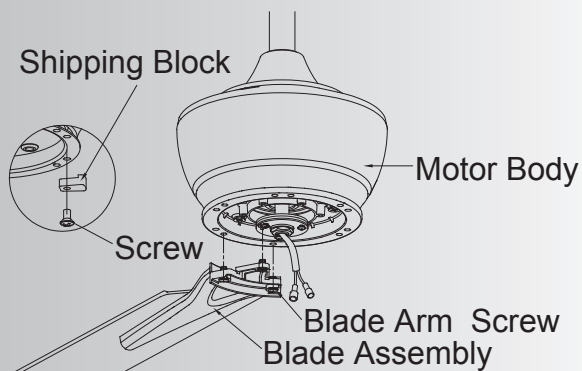


Fig. 18

**Step 2.** Remove and discard the three stabilizers tabs and screws. Fasten blade assembly to the holes located on the bottom of the flywheel. Tighten the two "pre-installed" motor screws in the blade arm. Repeat steps for the remaining blades assemblies. (Fig. 18)

## 10. INSTALLING THE MOUNTING PLATE

**Step 1.** Remove one of the three screws and loosen the other two (do not remove). Place the two slot holes on the switch housing over the 2 screws previously loosened from the mounting ring. Rotate the switch housing until it locks in place at the narrow end of the key holes. Securely by tightening the 2 screws previously loosened and the one previously removed. (Fig. 19)

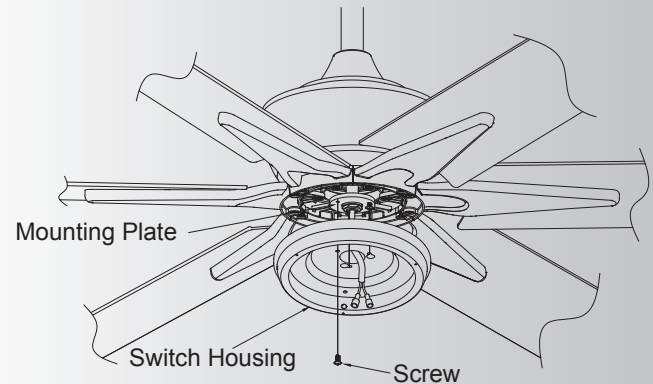


Fig. 19

## 11. INSTALLING THE LED ASSEMBLY OR CAP

**NOTE:** Before continuing, make sure the power is disconnected by turning off the circuit breaker or removing the fuse at the circuit box.

**Step 1.** If installing with steel cap and no light kit, skip to step 4 on page 9. Remove one of the three screws in the switch housing. Retain the screw for later and slightly loosen the remaining two screws. (Fig. 20)

**Step 2.** Connect the 2 single pin connectors from the LED assembly to the 2 single pin connectors from motor assembly, BLACK to BLACK, WHITE to WHITE. Assemble the LED assembly to the switch housing using the two key slots. Replace the removed screw and secure all three screws. (Fig. 21)

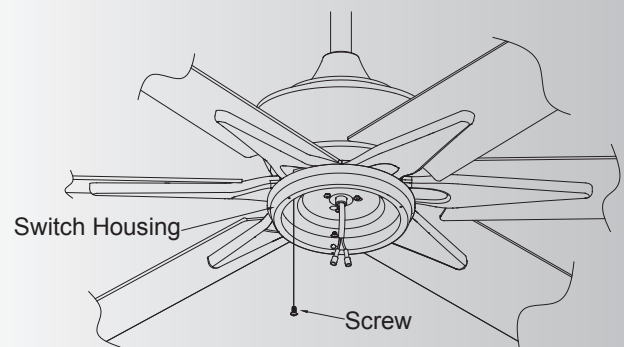


Fig. 20

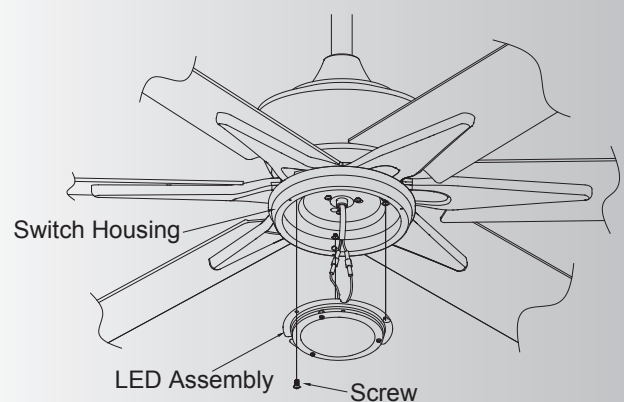


Fig. 21

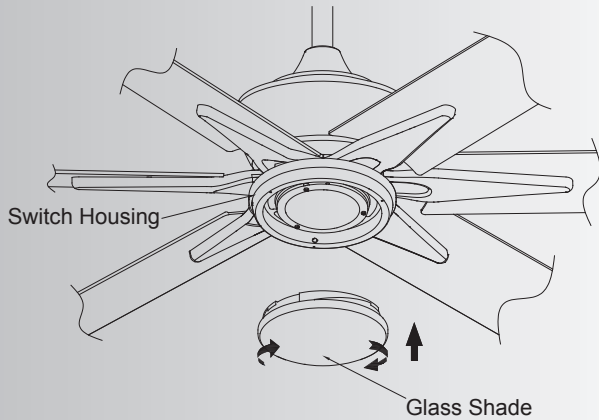


Fig. 22

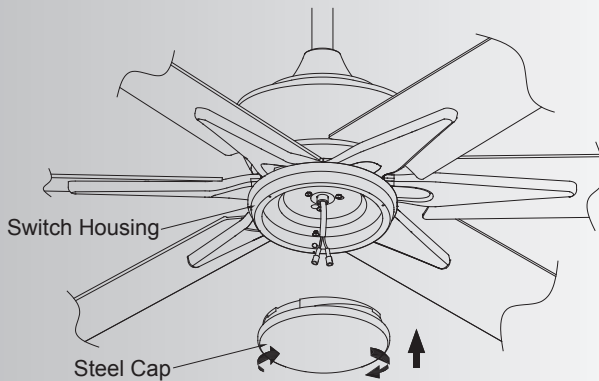


Fig. 23

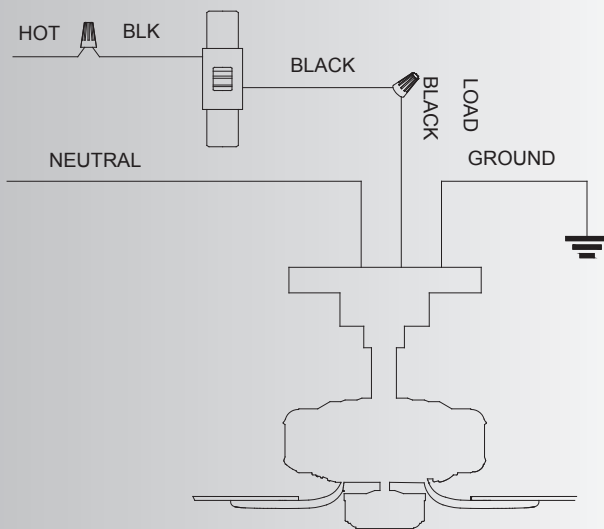


Fig. 24

**Step 3.** Secure the glass shade to switch housing by twisting in a clockwise direction. Do not over-tighten. (Fig. 22)

**Step 4.** If you want to install the steel cap and not the light kit. Assemble the steel cap to the switch housing by twisting in a clockwise direction. (Fig. 23)

## 12. WALL CONTROL INSTALLATION

**Caution:** To reduce the risk of electrical shock, disconnect the electrical supply circuit before installing the fan, light kit or receiver.

**NOTE:** Make all wiring connections using wire connectors (supplied). Make sure that all connections are tight, including ground, and that no bare wire is visible at the wire connectors, except for the ground wire.

**Step 1.** Remove faceplate and screws from existing wall control (if present). Pull control out from the wall box. Determine the "hot" wire and "load" wire and disconnect these wires from control (Fig. 24). Do not attempt to disconnect any wires not already connected to existing control.

**Step 2.** Before installing the wall control, place it in "OFF" mode by press the button. (higher than faceplate).

**Step 3.** Connect one black wire of wall control to the "hot" wire (house source). Securely connect wires with wire connectors supplied. (Fig. 25)

**Step 4.** Connect another black wire of wall control to the "load" (black) wire in the wall box. Securely connect wires with wire connector supplied.

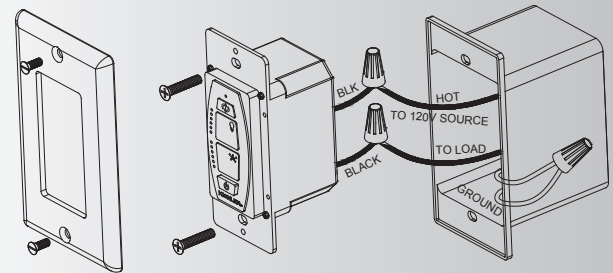


Fig. 25

### 13. PAIRING PROCEDURES

**IMPORTANT:** Ceiling fan blades MUST be installed before pairing procedure can begin.

**Step 1.** Turn the wall control to "OFF" position. Restore electricity to the ceiling fan branch circuit at the circuit breaker or fuse box. Within 60 seconds of press the "⏻" switch to "ON" and then hold the "↻" button for 3 to 5 seconds.

**Step 2.** The fan will run for approximately 2 minutes in the upward direction then reverse direction to down flow and run an additional 2 minutes. When conditioning is complete, the fan will come to complete stop and light will blink (if there is a light on the fan). The fan is now ready for normal use.

**IMPORTANT:** Do not interrupt the conditioning until the fan comes to a complete stop in approximately 5 minutes. All functions of the control will be rejected during conditioning.

**Step 3.** Try different speed setting on wall control to ensure the fan is now fully functional. If programming is unsuccessful, retry the process starting from step 1 again.

## 14. USING YOUR CEILING FAN

Press the "⏻" button once to turn ON (or OFF) the fan. (Fig. 26)

To set the desired fan speed, press and hold the "⚙️" button to decrease and increase the speed. (Fig. 26)

To turn the light on and off, press and release the light "💡" button. To set the light intensity, press and hold the light button. The light will turn on at the light intensity previously selected. (Fig. 26)

If airflow is desired in the opposition direction, press the "↻" button. The fan must be operating at any speed for the reverse button to function. The blades will turn in the opposite direction and reverse the airflow. (Fig. 26)

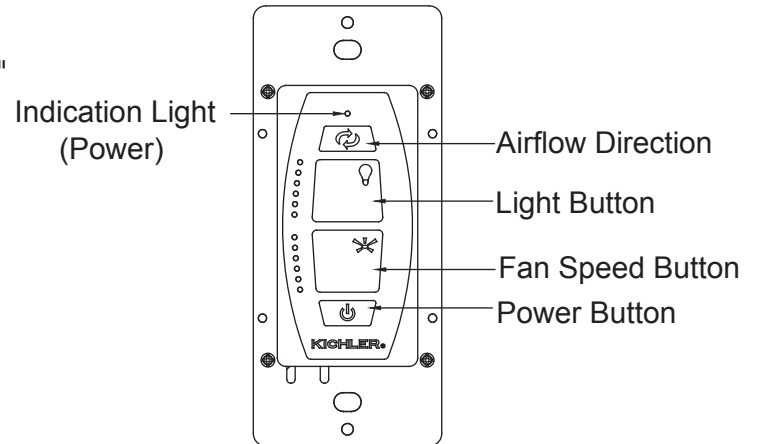


Fig. 26

## 15. TROUBLESHOOTING

Problem	Solution
Fan will not start.	<ol style="list-style-type: none"> <li>1. Check circuit fuses or breakers.</li> <li>2. Check all electrical connections to insure proper contact. <b>CAUTION:</b> Make sure the main power is OFF when checking any electrical connection.</li> <li>3. Make sure the transmitter batteries are installed properly. Positive (+) side facing out.</li> <li>4. Insure the batteries have a good charge.</li> </ol>
Fan sounds noisy.	<ol style="list-style-type: none"> <li>1. Make sure all motor housing screws are snug.</li> <li>2. Make sure the screws that attach the fan blade brackets to the motor are tight.</li> <li>3. Make sure wire nut connections are not rubbing against each other or the interior wall of the switch housing. <b>CAUTION:</b> Make sure main power is off.</li> <li>4. Allow a 24-hour "breaking-in" period. Most noise associated with a new fan disappear during this time.</li> <li>5. If using an optional light kit, make sure the screws securing the glassware are tight. Make sure the light bulbs are not touching any other component.</li> <li>6. Do not connect this fan to a wall mounted variable speed control(s). They are not compatible with ceiling fan motors or remote controls.</li> <li>7. Make sure the upper canopy is a short distance from the ceiling. It should not touch the ceiling.</li> </ol>
Fan wobble.	<ol style="list-style-type: none"> <li>1. Check that all blade and blade arm screws are secure.</li> <li>2. Most fan wobbling problems are caused when blade levels are unequal. Check this level by selecting a point on the ceiling above the tip of one of the blades. Measure this distance. Rotate the fan until the next blade is positioned for measurement. Repeat for each blade. The distance deviation should be equal within 1/8".</li> <li>3. Use the enclosed Blade Balancing Kit if the blade wobble is still noticeable.</li> <li>4. If the blade wobble is still noticeable, interchanging two adjacent (side by side) blades can redistribute the weight and possibly result in smoother operation.</li> </ol>
Remote control malfunction.	<ol style="list-style-type: none"> <li>1. Ceiling Fans with remote control systems CAN NOT be operated in conjunction with any other control system EXCEPT a basic On/Off wall switch, if desired.</li> </ol>

## 16. FCC WARNING:

This device complies with part 15 of the FCC Rules. Operation is subject to the following two conditions:

(1) This device may not cause harmful interference, and (2) this device must accept any interference received, including interference that may cause undesired operation.

Changes or modifications not expressly approved by the party responsible for compliance could void the user's authority to operate the equipment.

**NOTE:** This equipment has been tested and found to comply with the limits for a Class B digital device, pursuant to part 15 of the FCC Rules. These limits are designed to provide reasonable protection against harmful interference in a residential installation. This equipment generates, uses and can radiate radio frequency energy and, if not installed and used in accordance with the instructions, may cause harmful interference to radio communications. However, there is no guarantee that interference will not occur in a particular installation. If this equipment does cause harmful interference to radio or television reception, which can be determined by turning the equipment off and on, the user is encouraged to try to correct the interference by one or more of the following measures:

Reorient or relocate the receiving antenna, increase the separation between the equipment and receiver, and connect the equipment into an outlet on a circuit different from that to which the fan is connected.

## 17. SPECIFICATIONS:

Fan Size	Speed	Volts	Amps	Watts	RPM	CFM	CFM/W	N.W.	G.W.	C.F.
60" (300300)	6	120	0.393	31	138~141	7846	251	12.9kgs	14.3kgs	2.02'
	5		0.234	18	111~116	6488	369			
	4		0.161	10	98~101	5696	550			
	3		0.124	7	79~83	4881	710			
	2		0.081	4	64~67	3870	900			
	1		0.051	3	48~52	3039	1203			
80" (300301)	6	120	0.401	32	89~92	11399	360	14.6kgs	16.2kgs	2.55'
	5		0.268	20	77~80	9840	494			
	4		0.183	13	65~68	8386	638			
	3		0.146	8	53~56	7037	840			
	2		0.090	5	41~44	5361	1096			
	1		0.069	4	29~31	4138	1169			
96" (300302)	6	120	0.390	31	60~63	12854	419	15.7kgs	17.6kgs	3.10'
	5		0.234	17	51~54	11395	658			
	4		0.167	11	43~46	9710	852			
	3		0.129	7	35~38	7994	1098			
	2		0.081	4	27~29	6199	1435			
	1		0.047	3	19~21	4614	1831			

These are approximate measures. They do not include data for any lamps or fixtures attached to the ceiling fan.