

# Wifi & Bluetooth Gate Opener Controller



## Safety Information

### ⚠ Warning!

- Use this controller only in accordance with your gate opener's separate manual and all applicable local and national laws and regulations concerning automatic door and gate openers.
- **ONLY** permit children to use this device under close and constant supervision.
- **ONLY** use the controller when the gate can be clearly seen and there are no obstructions to its path of travel. Cease use **IMMEDIATELY** if any irregularity occurs during use. Recalibrate, repair, or replace problematic parts before further use.
- **ALWAYS** fully disconnect this device from power during installation and maintenance.

## Specifications

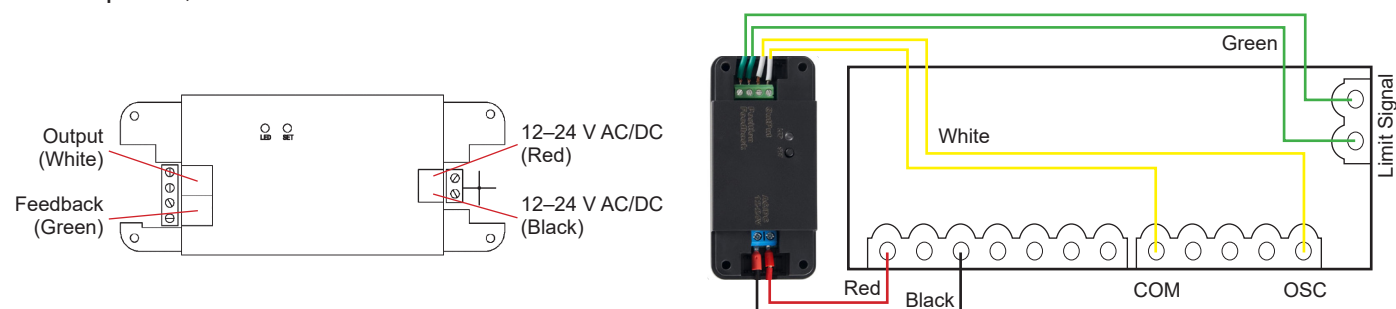
<b>Material</b>	ABS Plastic	
<b>Dimensions</b>	3.5×1.6×0.9 in.	8.8×4.2×2.3 cm
<b>Rated Voltage</b>	12–24 V AC/DC	
<b>Signal Frequency</b>	2.4 GHz Wifi	
<b>Bluetooth Range</b>	98 ft.	30 m
<b>IEEE Standard</b>	802.11 b/g/n	
<b>Net Weight</b>	1.8 oz.	50 g

## Parts List

- 1 × Gate Opener Controller
- 1 × Double-Sided Adhesive

## Installation

1. Use the provided double-sided adhesive to attach the control system receiver to a convenient and accessible location for you to wire it to your power supply and control signal wires. Either install the controller within the range of the wifi network you want to connect it to or do not secure it to any surface before pairing it with your app. It is important to ensure that the control system receiver is installed in a safe and secure location, away from any sources of water or other potentially hazardous materials.
2. Run the wiring from the module to the opener according to the diagram below. When using DC power sources, attach the red wire to the positive terminal and the black wire to the negative terminal. For AC power, the order won't matter to the device.



**Note:** If the gate opener does not have the limit function, the green wires do not need to be connected. Here is a possible wiring. The specific wiring will depend on the circuit board you have. Refer to the gate opener's manual.

# Operation

## Pairing a Device

1. Scan one of the QR codes below to download either the Tuya or Smart Life app or directly download one of them from your device's app store.



2. Make sure your device is connected to a 2.4GHz wifi network. Open the app and click **Add Device**.
3. Select **Electrical** and then select **Garage Door Opener (BLE+Wi-Fi)**.
4. Press and hold the reset button on the wifi controller until the indicator light starts flashing. The app should detect the device. Click on **Add Device**. The indicator light should flash slowly.
5. Click on **Confirm the indicator is blinking** and then choose **Blink Quickly**. Wait for the app to find the sliding door wifi controller and then select it to connect to it. Your phone's Bluetooth will also automatically be paired, so you can operate your gate opener without connecting to your wifi.
6. To control your gate, use the power symbol. You can view the history of previous openings/closings by selecting **History** and change your app's settings by going to **Settings**. Use **Schedule** to set a time for your gate to open or close or **Countdown** to set a stopwatch. **Schedule** and **Countdown** are not available with Bluetooth.

**Note:** If you want to link multiple devices to the same wifi controller, make sure that all your devices have been added to the same account in your device's **Home Management** settings.

## Deleting a Device

1. Open your app and choose the gate opener controller you want to delete.
2. Select **Remove Device** and then select **Confirm**.

# Maintenance

- Periodically remove any detritus from the surface of the receiver with a dry brush or cloth.
- Periodically check the wiring connections of the receiver and ensure that they are tight and secure. If you find any loose wiring connections, disconnect their power, reattach them properly, and reconnect their power.

# Contact Us

Thank you for choosing our products! If you have any questions or comments, contact us at [contact@cssupportgroup.com](mailto:contact@cssupportgroup.com) and we'll resolve your issue ASAP!

For a .pdf copy of the latest version of these instructions, use the appropriate app on your smartphone to scan the QR code to the right.

