

VEVOR[®]

TOUGH TOOLS, HALF PRICE

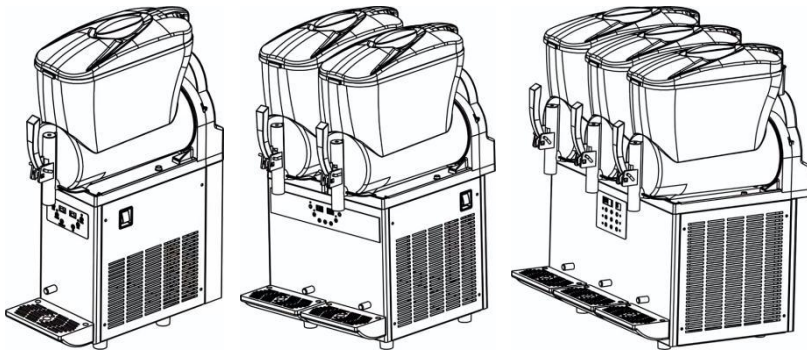
Technical Support and E-Warranty Certificate www.vevor.com/support

SLUSH MACHINE

MODEL: XN120B XN240B XN360B

We continue to be committed to provide you tools with competitive price. "Save Half", "Half Price" or any other similar expressions used by us only represents an estimate of savings you might benefit from buying certain tools with us compared to the major top brands and does not necessarily mean to cover all categories of tools offered by us. You are kindly reminded to verify carefully when you are placing an order with us if you are actually Saving Half in comparison with the top major brands.

MODEL: XN120B XN240B XN360B



NEED HELP? CONTACT US!

Have product questions? Need technical support? Please feel free to contact us:

Technical Support and E-Warranty Certificate
www.vevor.com/support

This is the original instruction, please read all manual instructions carefully before operating. VEVOR reserves a clear interpretation of our user manual. The appearance of the product shall be subject to the product you received. Please forgive us that we won't inform you again if there are any technology or software updates on our product.



Warning-To reduce the risk of injury, user must read instructions manual carefully.

CAUTION: Changes or modifications not expressly approved by the party responsible for compliance could void the user's authority to operate the equipment!

This device complies with Part 15 of the FCC Rules.

Operation is subject to the following two conditions:

- 1) This product may cause harmful interference.
- 2) This product must accept any interference received, including interference that may cause undesired operation.

WARNING: Changes or modifications to this product not expressly approved by the party responsible for compliance could void the user's authority to operate the product.

Note: This product has been tested and found to comply with the limits for a Class B digital device pursuant to Part 15 of the FCC Rules, These limits are designed to provide reasonable protection against harmful interference in a residential installation.

This product generates, uses and can radiate radio frequency energy, and if not installed and used in accordance with the instructions, may cause harmful interference to radio communications. However, there is no guarantee that interference will not occur in a particular installation. If this product does cause harmful interference to radio or television reception, which can be determined by turning the product off and on, the user is encouraged to try to correct the interference by one or more of the following measures.

- Reorient or relocate the receiving antenna.
- Increase the distance between the product and receiver.
- Connect the product to an outlet on a circuit different from that to which the receiver is connected.





	<ul style="list-style-type: none"> • Consult the dealer or an experienced radio/TV technician for assistance.
 	<p>This product is subject to the provision of European Directive 2012/19/EC. The symbol showing a wheeled bin crossed through indicates that the product requires separate refuse collection in the European Union. This applies to the product and all accessories marked with this symbol. Products marked as such may not be discarded with normal domestic waste, but must be taken to a collection point for recycling electrical and electronic devices</p>

Table of Contents

1. Product Description

- 1.1. Product Use
- 1.2. Main Parts
- 1.3. Technical Parameters
- 1.4. Control Panel Description and Function

2. Safety

- 2.1. Safety Rules
- 2.2. Stop Function

3. Operation and Storage

- 3.1. Packaging
- 3.2. Transport and Operation
- 3.3. Storage

4. Installation

- 4.1. Mounting Location

4.2. Power Connection

5. Operation

5.1. Materials Preparation

5.2 Starting The Slush Machine

5.3. Slush Concentration Adjustment

5.4. Slush Production

5.5. Emergency Situation

6. Cleaning and Maintenance

6.1. Empty the Bowl

6.2. Disassemble The Handle Parts

6.3. Remove the Bowl and Lid

6.4. Disassemble The Push Handle

6.5. Wash and Disinfect the Components

6.6. Reassemble The Cleaned Parts

6.7. Rinse Cycle

6.8. Clean The Water Box

6.9. Lamp Cover

6.10. Lamp Replacement

6.11. Regular Maintenance

7. Wiring diagram

1. Product Description

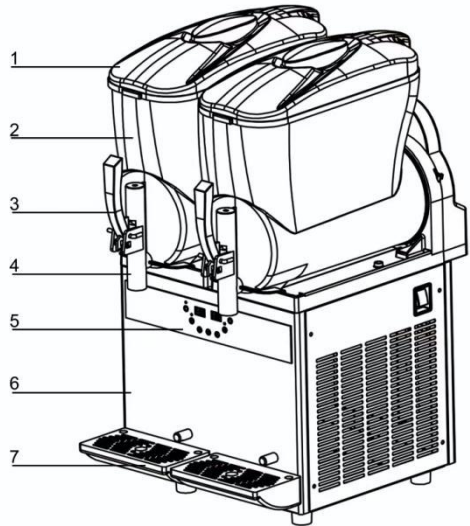
1.1. Product Usage

This machine is suitable for making slush and cold drinks, and the operation of this slush machine must comply with current standards.

1.2. Main Parts

The main components of the machine are as follows:

1. Bowl lid
2. Bowl
3. Discharge wrench
4. Discharge port
5. Control Panel
6. Chassis
7. Water tray



1.3. Technical Parameters

Model: please see the nameplate

Size: please see the nameplate

Maximum output power (watts): please see the nameplate

Operating voltage (volts): please See the nameplate on the side of the machine

Operating ambient temperature range: from 5 degree to 32 degrees

Bowl Number: 1/2/3

Single bowl capacity (L):12

Sound pressure level: minimum 65 dB

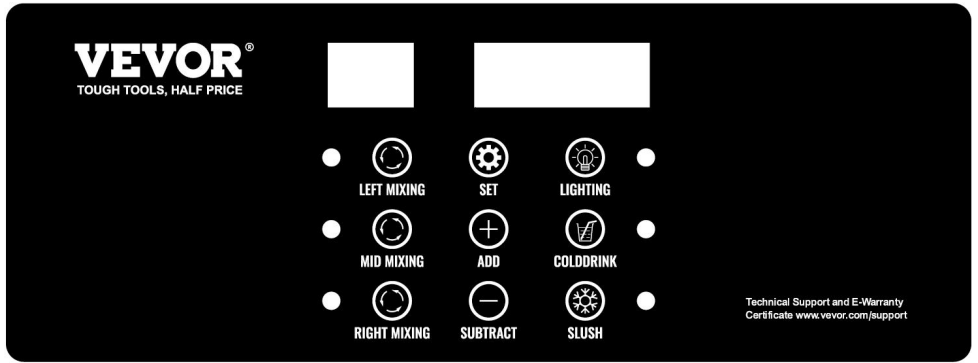
Grade: N

* Tip: The Factory reserves the right to alter the machine without prompting.

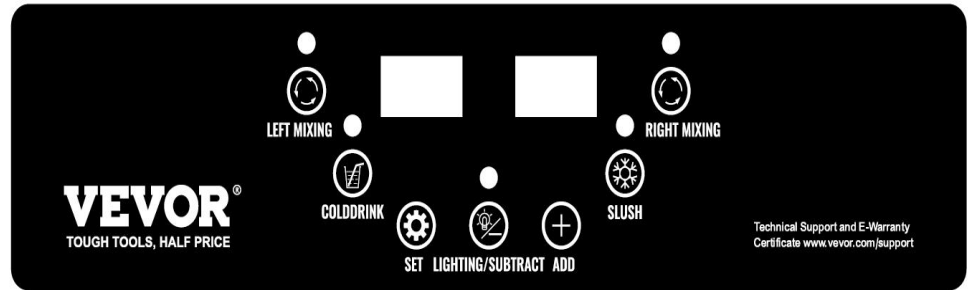
1.4Control Panel Description and Function

1.4.1 Panel Diagram:

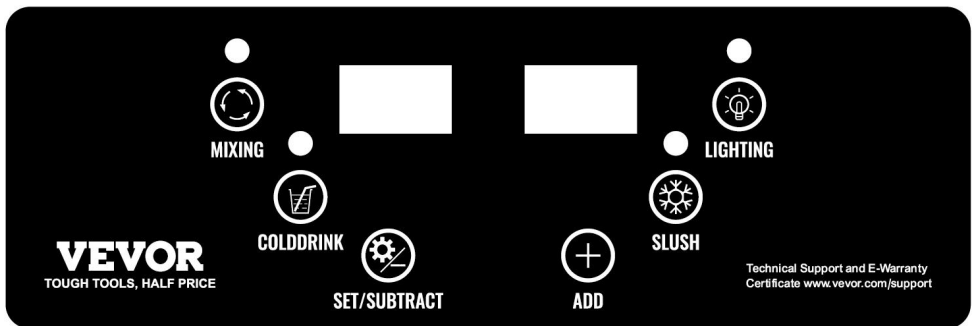
MODEL: XN360B



MODEL: XN240B



MODEL: XN120B



Model	Code	Factory Setting	Meaning
XN120B	SL1	-2.0°C	Slush temperature
	Cd1	5.0°C	Cold drink temperature
XN240B	SL1	-2.0°C	Slush temperature for left bowl
	SL2	-2.0°C	Slush temperature for right bowl
	Cd1	5.0°C	Cold drink temperature for left bowl
	Cd2	5.0°C	Cold drink temperature for right bowl
XN360B	S1	-2.0°C	Slush temperature for left bowl
	S2	-2.0°C	Slush temperature for middle bowl
	S3	-2.0°C	Slush temperature for right bowl
	C1	5.0°C	Cold drink temperature for left bowl
	C2	5.0°C	Cold drink temperature for middle bowl
	C3	5.0°C	Cold drink temperature for right bowl

Code	Factory Setting	Meaning
P00	0.2 (Degrees)	Slush temperature return difference value
P01	0 (Degrees)	The maximum setting temperature
P02	-15.0 (Degrees)	The minimum setting temperature
P03	10 (Minutes)	Press protection time
P04	110V:85(V) 220V:185(V)	Low voltage protection value
P05	1 (0: Disable 1: Enable)	Voltage protection enabled
P06	0.0	# 1 bowl temperature correction
P07	0.0	# 2 bowl temperature correction
P08	0.0	# 3 bowl temperature correction
P09	2.0 (Degrees)	Cold drink temperature return difference value

1.4.2 Introduction of Function and Set

(Model: XN120B)

1. Press “Mixing” key, turn on mixing function, mixing light is on. Press “Mixing” key again to turn off the mixing function.
2. Press the “Cold Drink” key (mixing function must be turned on, otherwise the Cold Drink key does not work), turn on the cold drink function, and cold drink light is on (the compressor is powered on) or cold drink light flashes (compressor is powered off), then press the “Cold Drink” key again to close the cold drink function.
3. Press the “Slush” key (mixing function must be turned on, otherwise the Slush key does not work) to open the slush function, and slush light is on (the compressor is powered on) or slush light flashes (compressor is powered off), then press the “Slush” key again to close the slush function.
4. Press the “Lighting” key to turn on the light, and then press the “Lighting” key again to turn off the light.
5. Press “Set” key, enter the user parameter setting state. At this time, press the “Set” key to change the setting object, press “Subtract(-)” key and “Add(+)” key to change the value. After 5 seconds without operating the key, the system will exit and save the setting value automatically.
6. Hold down “Subtract(-)” key and “Add(+)” key for 5 seconds at the same time to enter the Factory parameter setting mode, press the “Lighting” key to change the object, press “Subtract(-)” key and “Add(+)” key to change the value. The system will exit and save the parameters automatically after 5 seconds without any operation of keys.

(Model: XN240B)

1. Press “Left Mixing” key, turn on left mixing function, left mixing light is on. Press “Left Mixing” key again to turn off the left mixing function.
2. Press “Right Mixing” key, turn on right mixing function, right mixing light is on. Press “Right Mixing” key again to turn off the right mixing function.
3. Press the “Cold Drink” key (a Mixing function must be turned on, otherwise the Cold Drink key does not work), turn on the cold drink function, and cold drink light is on (the compressor is powered on) or cold drink light

flashes (compressor is powered off), then press the “Cold Drink” key again to close the cold drink function.

4. Press the “Slush” key (a Mixing function must be turned on, otherwise the Slush key does not work) to open the slush function, and slush light is on (the compressor is powered on) or slush light flashes (compressor is powered off), then press the “Slush” key again to close the slush function.

5. Press the “Lighting” key to turn on the light, and then press the “Lighting” key again to turn off the light.

6. Press “Set” key, enter the user parameter setting state. At this time, press the “Set” key to change the setting object, press “Subtract(-)” key and “Add(+)” key to change the value. After 5 seconds without operating the key, the system will exit and save the setting value automatically.

7. Hold down “Set” key and “Add(+)” key for 5 seconds at the same time to enter the Factory parameter setting mode, press the “Set” key to change the object, press “Subtract(-)” key and “Add(+)” key to change the value. The system will exit and save the parameters automatically after 5 seconds without any operation of keys.

(Model: XN360B)

1. Press “Left mixing” key, turn on left mixing function, left mixing light is on. Press “Left Mixing” Key again to turn off the left mixing function.

2. Press “Mid Mixing” key, turn on mid mixing function, mid mixing light is on. Press “Mid Mixing” key again to turn off the mid mixing function.

3. Press “Right Mixing” key, turn on right mixing function, right mixing light is on. Press “Right Mixing” key again to turn off the right mixing function.

4. Press the “Cold Drink” key (a mixing function must be turned on, otherwise the Cold Drink key does not work), turn on the cold drink function, and cold drink light is on (the compressor is powered on) or cold drink light flashes (compressor is powered off), then press the “Cold Drink” key again to close the cold drink function.

5. Press the “Slush” key (a Mixing function must be turned on, otherwise the Slush key does not work) to open the slush function, and slush light is on (the compressor is powered on) or slush light flashes (compressor is

powered off), then press the Slush key again to close the slush function.

6. Press the "Lighting" key to turn on the light, and then press the "Lighting" key again to turn off the light.

7. Press "Set" key, enter the user parameter setting state. At this time, press the "Set" key to change the setting object, press "Subtract(-)" key and "Add(+)" Key to change the value. After 5 seconds without operating the key, the system will exit and save the setting value automatically.

8. Hold down "Subtract(-)" key and "Add(+)" key for 5 seconds at the same time to enter the Factory parameter setting mode, press the "Set" key to change the object, press "Subtract(-)" key and "Add(+)" key to change the value. The system will exit and save the parameters automatically after 5 seconds without any operation of keys.

Notice: when machine works well, please do not changed factory settings.

1.4.3 Alarm Code Description

1) "- -": Frozen bowl alarm is given and the compressor and motor will stop working, and resume automatically after 10 minutes.

2)"RH": temperature sensor malfunction alarm. Stop cooling in cold drink function state without affecting slush function.

3)"LLL": low voltage alarm, the whole machine stops. Turn off the power and check the power supply. Restart machine after voltage is stable. If it show "LLL" frequently, We suggest you connect a voltage stabilizer.

2. Safety

2.1 General Safety Rules

1. Read the entire manual carefully

2. The power cord must meet local safety standards

3. The power cord and the plug size shall be in compliance with the parameters on the machine nameplate, properly grounded, and coupled with applicable switches and circuit breakers. Never operate the machine near flammable or explosive objects.

- No technical modifications to the machine.

- Please do not spray rinsing the machine
- Be sure to follow the instructions to operate the machine.
- Please do not mount the machine on other devices.
- Please do not wash with benzene or other dissolved substances.
- Never block the vents on the side of the machine.

Before cleaning the machine, make sure the machine has been disconnected from the power.

The machine must be repaired by our service center or a trained technician.

*** Damage due to improper operation will void our warranty, and the Factory will not be responsible for personal injury or property damage.**

2.2. Stop Function

Turn off the main switch to stop the machine.

3. Operation and Storage

All operations described in Chapter 4 must be carried out by professionals in charge of transporting/handling packaged or unpackaged products. Be sure to use appropriate equipment depending on the nature and weight of the goods, as well as relevant stipulations of local regulations.

3.1. Packaging

The goods to be shipped shall be packaged and fixed with foam inside, and cardboard or Wooden boxes outside.

3.2. Transport and Handling

In case of physically works needed, it must be completed by at least two people.

- 1) The machine must stay upward when being moved.
- 2) Pay attention to the packaging and protruding parts.

3.3. Storage

The machine should be cleaned and disinfected before it is put into the warehouse.

If the machine is to be put idle for a long time, protective measures must be taken for its placement location and storage time:

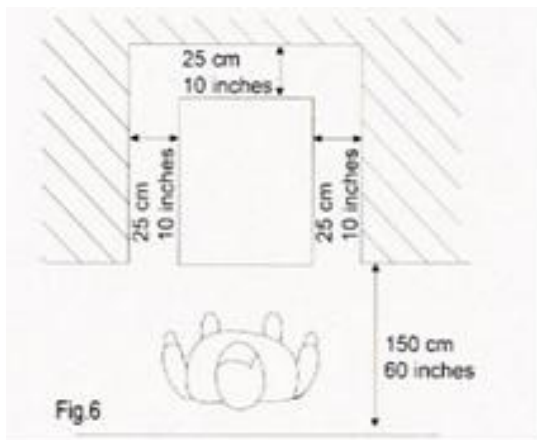
- 1) The machine shall be placed in enclosed space.
- 2) Prevent the machine from being hit and squeezed.
- 3) The machine should be placed in a cool and dry place, not exposed to moisture and high temperature.
- 4) Keep the machine away from corrosive substances.

4. Installation

The machine must be installed in a bright, well-ventilated room with a hard solid floor.

4.1 Mounting Location

1. The floor for the machine to be mounted on must be firm and flat.
2. The space should be bright, well-ventilated and clean.
3. Sufficient clearance shall be provided to facilitate unrestricted operation as well as emergency use. *TIP: Leave 25 cm (10 in.) clearance on the top of the bowl.



* Before using the machine for the first time, all the parts must be cleaned, and the parts that are in contact with the slush need to be handled carefully; for more details, please read relevant section.

4.2. Power Connection

Make sure the main switch is at "0" before you plug in.

Warning: The power socket must be arranged in a place easily accessible by the user.

5. Operation

5.1. Material Preparation

Pour the material into the bowl when the machine is off and unpowered.

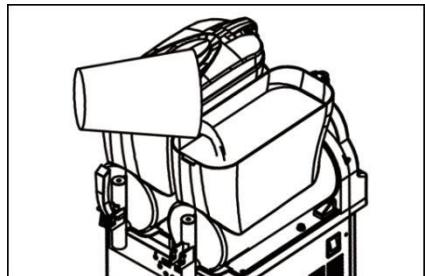
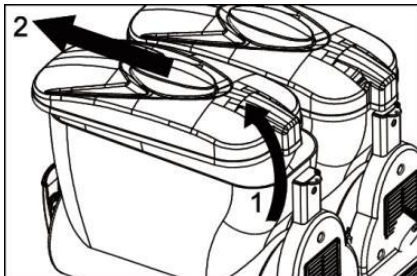
Warning: Minimum sugar content should not be less than 13%, as low concentration may damage the machine.

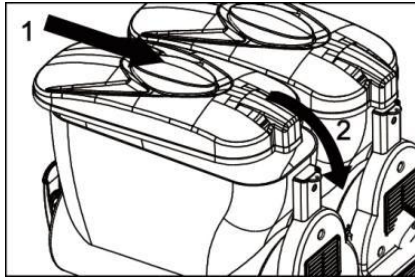
Remove the lid from the bowl according to the following instructions:

1. Lift the back of the lid.
2. Remove the lid from the front retainer.
3. After material was added to the bowl, the lid on the bowl should be put back.

Warning:

- 1) Please do not open the lid forcibly.
- 2) Never add liquid higher than 25 degrees Celsius.
- 3) When feeding the bowl, be careful not to exceed the maximum limit and must exceed mixer shaft.
- 4) Please do not turn on the machine when the lid is not in place. Please turn off and unplug the machine before removing the lid.
- 5) Please turn off and unplug the machine before removing any parts from the bowl





5.2. Starting the Slush Machine

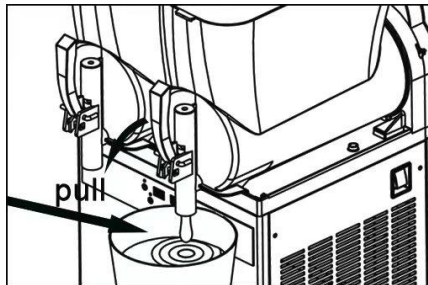
Refer to 1.4. Control Panel Description and Function.

5.3. Slush Concentration Adjustment

Refer to 1.4.2 to Set up Parameters; the bigger position corresponds to thicker slush.

5.4. Slush Production

Pull the handle to produce the slush.



If the machine is not to be used continuously, the following operations are required in case of dairy products:

- 1) Spray water onto the faucet and surrounding area.
(Use a clean cloth to wipe for disinfection at the same time).
- 2) Before making slush for the customer, please use a small amount of product to try first.

5.5 Emergency Situations

- 1) In extreme emergencies, set the main switch to "0" to turn off the machine.

2) If the machine is stuck, turn off the machine, and contact the service center or a professional technician.

6. Cleaning and Maintenance

Prior to any cleaning and maintenance of external components of the machine, make sure the main switch is located at position "0" and the machine is not plugged in.

For cleaning and maintenance, follow these instructions:

1. Put on protective gloves.
2. Never use soluble and explosive materials.
3. When the machine is powered on and the main switch at position "1", cleaning is prohibited.

6.1 Empty the Bowl

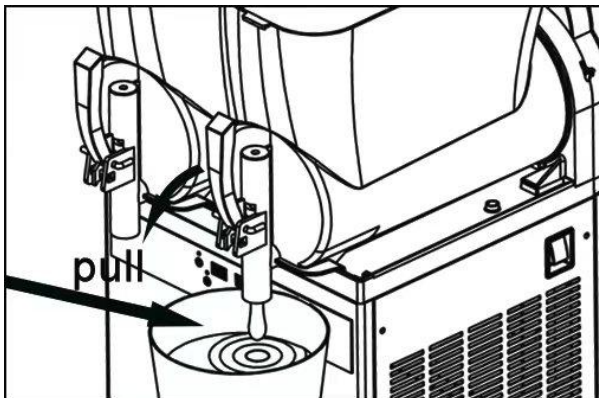
Before cleaning the bowl, please first remove all the previously prepared material.

6.2. Disassemble the handle parts

Please do not dismantle the handle of the machine if there is material or other liquid in the bowl.

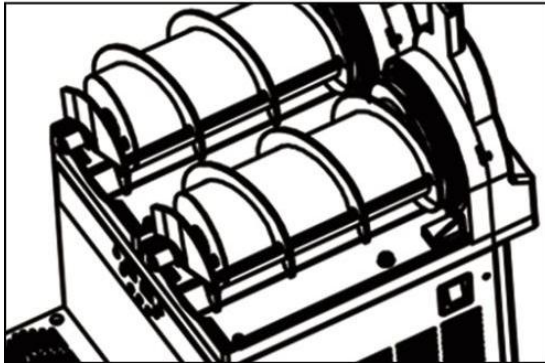
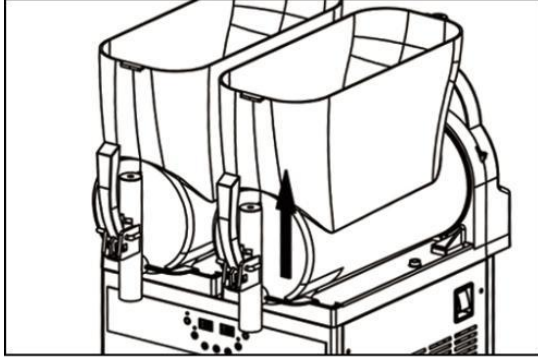
6.3 Remove the bowl and lid

Remove each bowl to ensure that the machine is neat and clean.



Remove the bowl as follows:

1. Remove the lid as shown in the figure.
2. Raise the front part of the bowl to loosen it.
3. Gently push and rotate its back to remove the bowl.
4. Take out the mixer shaft and remove the seal ring.



6.4 Disassemble the push handle

1. Put the bowl on a smooth surface to facilitate the removing of the tap. Pull the "U" towards you and push the tap with your other hand.
 2. Unlock the spring, hold it down, push horizontally and finally release it.
 3. Unscrew the bar from the tap.
 4. Hold down the two rubber flanges, and separate the red rubber from it.
- All parts must be washed with hot water and soap, and fully air dried before being re-assembled.

6.5. Wash and disinfect the components

All previously removed parts must be thoroughly cleaned and disinfected. Important note: Disinfection procedures must comply with the machine operation guidelines.

Please follow the instructions below to ensure proper disinfection:

1. Dispense the antiseptic solution into the container (2% sodium hypochlorite mixed with water).
2. Thoroughly wash the bowl, lid and evaporator with a soaked sponge.
3. Thoroughly clean with water.
4. Pour disinfectant into another container.
5. Dip the disassembled parts into the disinfectant.
6. Soak the parts in disinfectant for 30 minutes.
7. Wash thoroughly with water again.
8. Air dry the parts at a clean place.
9. Reassemble as described in section 6.5.
10. Rinse thoroughly with water before using the machine.

Caution: Do not immerse the lid with the lamp in any solution. Before cleaning and disinfecting the lid, please remove the lid as described in the previous section. In order to properly clean the lamp cover, these steps must be followed:

1. Wipe the bottom of the lid (the part contact with the machine) with a clean, damp cloth.
2. Wipe the outside of the machine with a clean, damp cloth.
3. Use a disinfectant soaked sponge to disinfect the bottom of the lid. And be sure not to wet the lid's interface with the machine.
4. Allow operation for 30 minutes.
5. Rinse twice or more. Only the bottom of the lid needs to be wiped with clean water sponge.
6. Put the lid on a clean flat surface to dry. First, dry the bottom and wipe the external parts with a clean cloth.
7. Install the lid back after the bowl has been cleaned and disinfected. Never clean the machine when the lid is installed on it.

6.6 Reassemble the cleaned parts

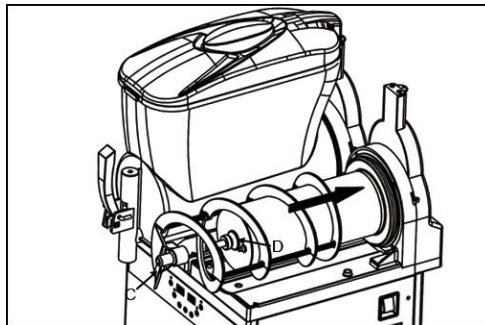
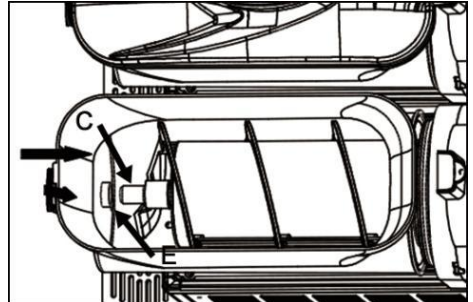
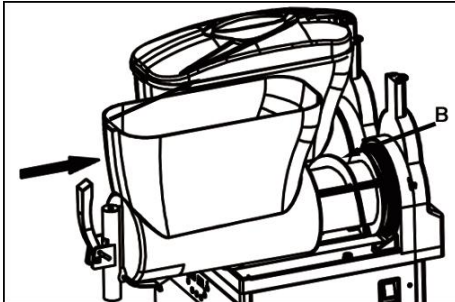
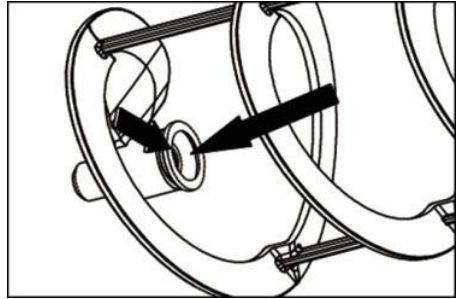
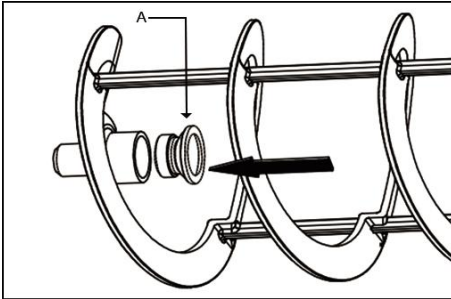
All cleaned and disinfected components must be carefully reinstalled, and components must be fully lubricated for the machine to work more efficiently.

Clean the tray and grid separately with warm water.

Dry all the parts.

Put the grid back over the tray.

Install the seal ring of the mixer shaft as shown.



Important note: Always check the integrity of the seal ring. If the seal ring is broken, it should be replaced with a new one.

Use the supplied Vaseline to lubricate the seal ring in the illustrated area. Install the mixer shaft as shown; install the head of the mixer shaft (C) to the shaft (D).

Tips: Rotate it into the first half of the bowl and push the bowl to the designated position in contact with the seal ring (B).

1) Align the head of the mixer shaft with the interface inside the bowl, press down the bowl, and follow instructions below to reinstall the faucet.

2) Lubricate the joints fully with the supplied Vaseline.

3) Put the piston in the designated position, and push the handle until it connects the faucet.

6.7 Rinse cycle

Before starting the machine, it must be cleaned circularly.

Proceed as follows:

1. Fill the bowl with water.
2. Let the machine stir for 5 minutes.
3. Turn off the machine, and open the tap to empty the water in the bowl.

6.8 Clean the water box

The water box should be emptied and cleaned regularly.

Pull up the water box with the lid and then pull it out.

6.9 Lamp cover

6.10 Lamp replacement

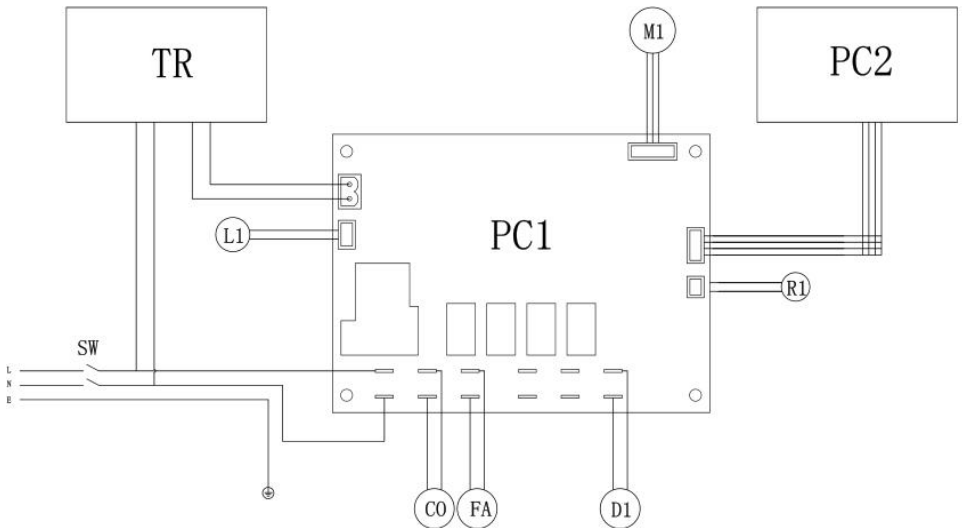
When replacing the lamp, the main switch must be turned off and the power must be disconnected.

Remove the protective cap and unscrew the cover screws; use suitable screwdriver to operate.

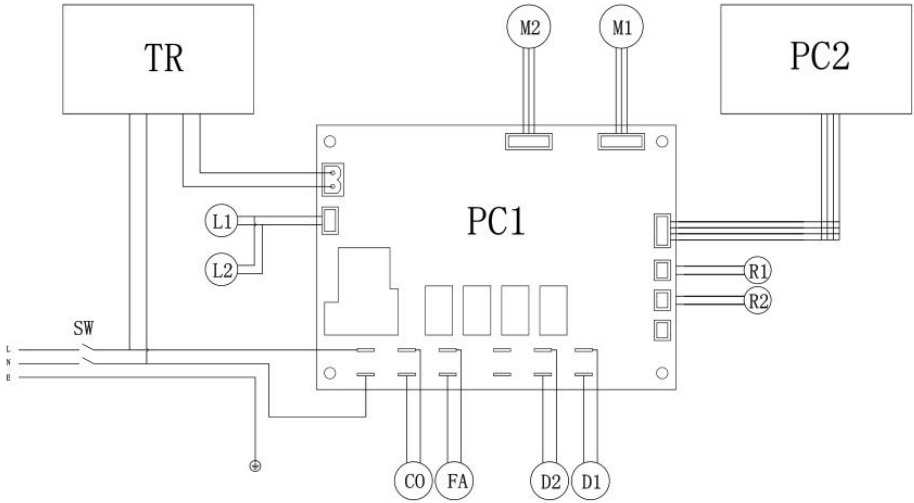
6.11 Regular maintenance

- 1) The machine must be maintained regularly by professional technicians (at least once a year).
- 2) Regular inspection can ensure that all components are installed in place, and the machine can run safely.
- 3) Any damaged components must be replaced with original parts.

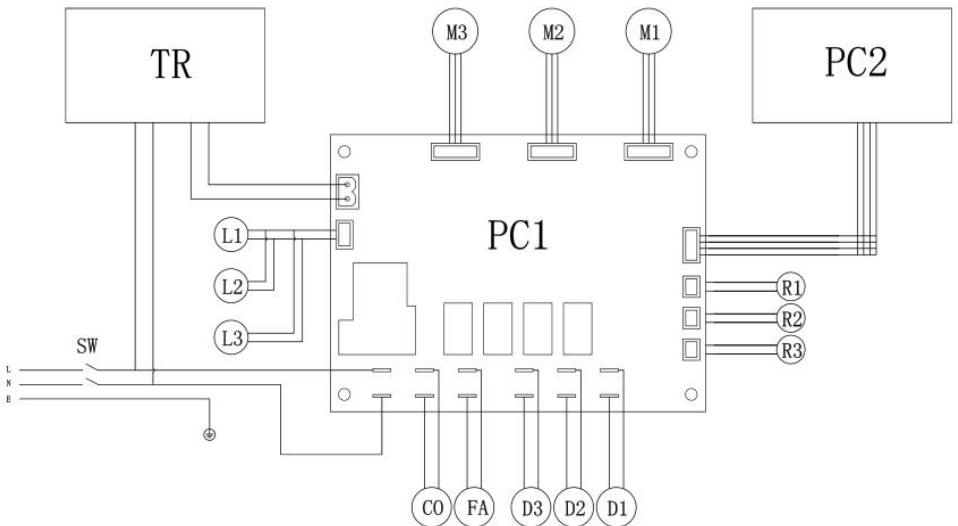
7. Wiring diagram



PC1-Vain PC Board, PC2-Dispaly Panel, SW-Switch, CO-Coopressar, FA-Fan, R1-Teaperature Sensor.



PCI-Main Pc Board, p2-Dispsly Panel, Sh-Switch, 00-Compressor, FA-Fan, TR-TransformerMI/1/%2-Stirring Whotor, II/I2-ED Lighting, R1/R2-Temperature Sensor, DI/02-Solenoid Valve



PCI-Main Pc Board, p2-DispalyPanel, SNSwitch, C0 Coapressor, FA-Fan, TR-TransformerM1/1/M2/M3-Stirring notor, L1/L2/L3-LED Lighting.R1/R2/R3-Temperature Sensor,DI/D2/03-Solenoid Valve

VEVOR[®]

TOUGH TOOLS, HALF PRICE

Technical Support and E-Warranty Certificate

www.vevor.com/support

VEVOR[®]

TOUGH TOOLS, HALF PRICE

Assistance technique et certificat de garantie électronique www.vevor.com/support

MACHINE À SLUSH

MODÈLE : XN120B XN240B XN360B

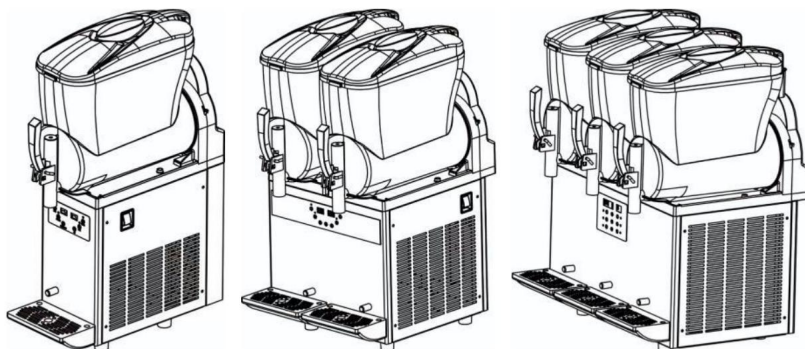
Nous continuons à nous engager à vous fournir des outils à des prix compétitifs.

« Économisez la moitié », « Moitié prix » ou toute autre expression similaire utilisée par nous ne représente qu'une estimation des économies que vous pourriez réaliser en achetant certains outils chez nous par rapport aux grandes marques et ne couvre pas nécessairement toutes les catégories d'outils que nous proposons. Nous vous rappelons de bien vouloir vérifier soigneusement lorsque vous passez une commande chez nous si vous économisez réellement la moitié par rapport aux grandes marques.

VEVOR[®]
TOUGH TOOLS, HALF PRICE

MACHINE À SLUSH

MODÈLE : XN120B XN240B XN360B



BESOIN D'AIDE? CONTACTEZ-NOUS!

Vous avez des questions sur nos produits ? Vous avez besoin d'assistance technique ?
N'hésitez pas

à nous contacter : Assistance technique et certificat de garantie
électronique www.vevor.com/support

Il s'agit de la notice d'utilisation d'origine. Veuillez lire attentivement toutes les instructions du manuel avant de l'utiliser. VEVOR se réserve le droit d'interpréter clairement notre manuel d'utilisation. L'apparence du produit dépend du produit que vous avez reçu. Veuillez nous excuser, nous ne vous informerons plus en cas de mise à jour technologique ou logicielle de notre produit.



Avertissement - Pour réduire le risque de blessure, l'utilisateur doit lire
Lisez attentivement le manuel d'instructions.

ATTENTION : Les changements ou modifications non expressément
approuvé par la partie responsable de la conformité pourrait annuler
l'autorité de l'utilisateur à utiliser l'équipement !

Cet appareil est conforme à la partie 15 des règles de la FCC.

L'exploitation est soumise aux deux conditions suivantes :

1) Ce produit peut provoquer des interférences nuisibles.

2) Ce produit doit accepter toute interférence reçue,

y compris les interférences susceptibles de provoquer un fonctionnement indésirable.

AVERTISSEMENT : Les changements ou modifications apportés à ce produit ne
expressément approuvé par le parti.responsable du respect
pourrait annuler le droit de l'utilisateur à utiliser le produit.

Remarque : Ce produit a été testé et jugé conforme aux normes

les limites pour un appareil numérique de classe B conformément à la partie 15 de

les règles de la FCC, ces limites sont conçues pour fournir

protection raisonnable contre les interférences nuisibles dans un
installation résidentielle.

Ce produit génère, utilise et peut émettre des ondes radio

énergie de fréquence, et si elle n'est pas installée et utilisée dans

conformément aux instructions, peut causer des effets nocifs

interférences avec les communications radio. Cependant, il n'y a pas

garantir qu'aucune interférence ne se produira dans un domaine particulier

installation. Si ce produit provoque des interférences nuisibles

réception radio ou télévision, qui peut être déterminée par

en éteignant et en rallumant le produit, l'utilisateur est encouragé à essayer

pour corriger l'interférence par une ou plusieurs des mesures suivantes

mesures.

• Réorienter ou déplacer l'antenne de réception. • Augmenter

la distance entre le produit et le récepteur. • Connecter le produit à une prise sur

un circuit différent de celui

celui auquel le récepteur est connecté.




	<ul style="list-style-type: none">• Consultez le revendeur ou un technicien radio/TV expérimenté pour obtenir de l'aide.
	<p>Ce produit est soumis aux dispositions de la directive européenne 2012/19/CE. Le symbole représentant une poubelle à roulettes barrée indique que le produit doit faire l'objet d'une collecte sélective des déchets dans l'Union européenne. Cela s'applique au produit et à tous les accessoires marqués de ce symbole. Les produits marqués comme tels ne peuvent pas être jetés avec les déchets ménagers normaux, mais doivent être déposés dans un point de collecte pour le recyclage des appareils électriques et électroniques.</p>

Table des matières

1. Description du produit 1.1.

Utilisation du produit

1.2. Parties principales

1.3. Paramètres techniques

1.4. Description et fonction du panneau de commande

2. Sécurité

2.1. Règles de sécurité

2.2. Fonction d'arrêt

3. Fonctionnement et stockage 3.1.

Emballage 3.2.

Transport et fonctionnement 3.3.

Stockage

4. Installation

4.1. Emplacement de montage

4.2. Connexion électrique

5. Fonctionnement

5.1. Préparation des matériaux

5.2 Démarrage de la machine à granité

5.3. Réglage de la concentration de granité

5.4. Production de granité

5.5. Situation d'urgence

6. Nettoyage et entretien 6.1. Vider le

bol 6.2. Démontez les
pièces de la poignée

6.3. Retirez le bol et le couvercle

6.4. Démontez la poignée de poussée

6.5. Laver et désinfecter les composants 6.6.

Remonter les pièces nettoyées 6.7. Cycle de

rinçage 6.8. Nettoyer

le boîtier d'eau 6.9. Couvercle

de la lampe 6.10.

Remplacement de la lampe

6.11. Entretien régulier

7. Schéma de câblage

1. Description du produit

1.1. Utilisation du produit

Cette machine est adaptée à la fabrication de granités et de boissons froides, et le fonctionnement de cette machine à granité doit être conforme aux normes en vigueur.

1.2. Parties principales

Les principaux composants de la machine sont les suivants

suit:

1. Couvercle du bol

2. Bol

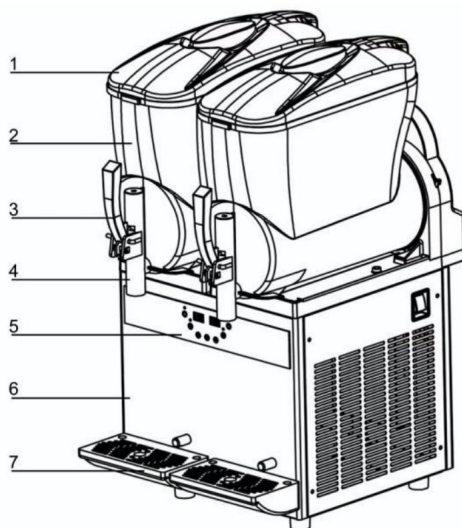
3. Clé de décharge 4.

Orifice de décharge

5. Panneau de commande

6. Châssis 7.

Bac à eau



1.3. Paramètres techniques

Modèle : veuillez consulter la plaque signalétique

Taille : veuillez consulter la plaque signalétique

Puissance de sortie maximale (watts) : veuillez consulter la plaque signalétique

Tension de fonctionnement (volts) : veuillez consulter la plaque signalétique sur le côté de la machine

Plage de température ambiante de fonctionnement : de 5 degrés à 32 degrés

Numéro de bol : 1/2/3

Capacité d'un bol simple (L) : 12

Niveau de pression acoustique : minimum 65 dB

Note : N

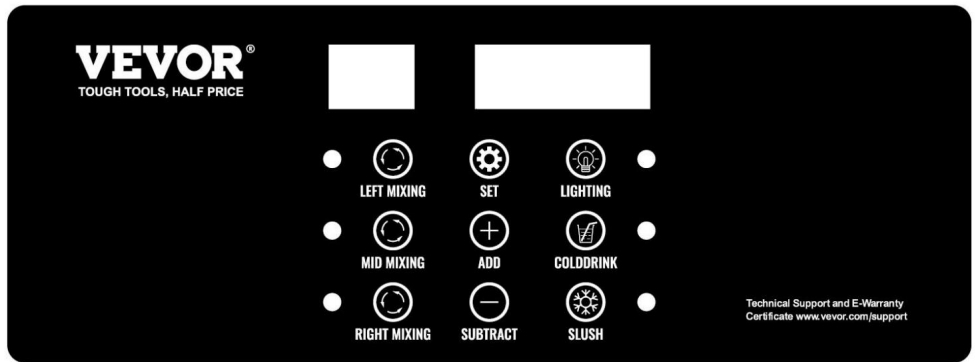
*

Astuce : L'usine se réserve le droit de modifier la machine sans préavis.

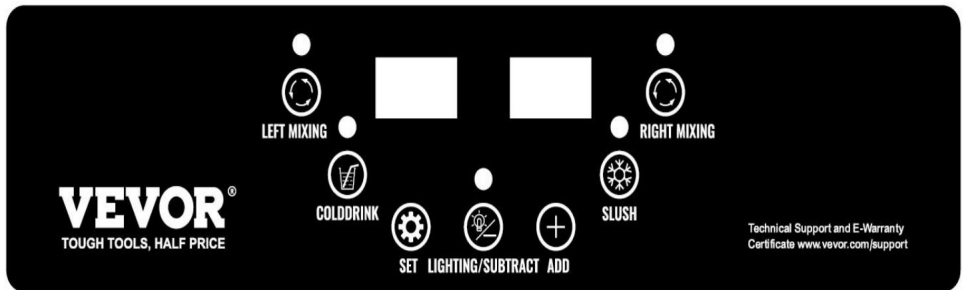
1.4 Description et fonction du panneau de commande 1.4.1

Schéma du panneau :

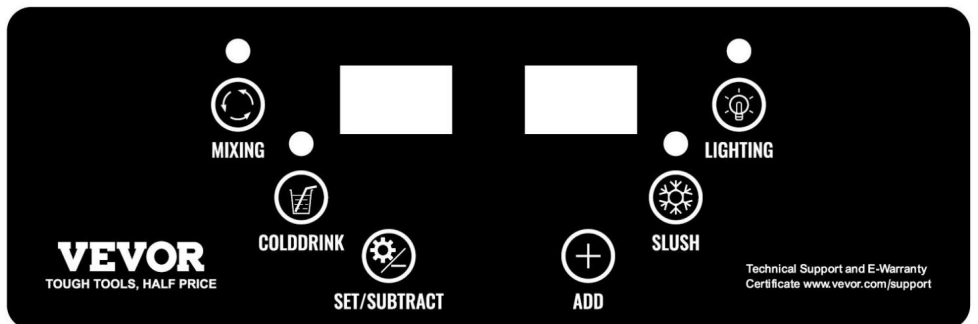
MODÈLE : XN360B



MODÈLE : XN240B



MODÈLE : XN120B



Code du modèle		Usine Paramètre	Signification
XN120B	FIG.1	-2,0	Température de neige fondante
	Cd1	5,0	Température des boissons froides
XN240B	FIG.1	-2,0	Température de neige fondante pour le bol gauche
	SL2	-2,0	Température de neige fondante pour le bol droit
	Cd1	5,0	Température de la boisson froide pour le bol de gauche
	Cd2	5,0	Température de boisson froide pour le bol droit
XN360B	S1	-2,0	Température de neige fondante pour le bol de gauche
	S2	-2,0	Température de neige fondante pour le bol du milieu
	S3	-2,0	Température de neige fondante pour le bol droit
	C1	5,0	Température de boisson froide pour le bol de gauche
	C2	5,0	Température de boisson froide pour le bol du milieu
	C3	5,0	Température de la boisson froide pour le bol droit

Code	Réglage d'usine	Signification
P00	0,2 (degrés)	Différence de température de retour de la neige fondante valeur
P01	0 (Degrés)	La température de réglage maximale
P02	-15,0 (degrés)	La température de réglage minimale
P03	10 (minutes)	Temps de protection de la presse
P04	110 V : 85 V 220 V : 185 V	Valeur de protection basse tension
P05	1 (0 : Désactiver 1 : Activer)	Protection de tension activée
P06	0,0	#1 correction de la température du bol
P07	0,0	#2 correction de la température du bol
P08	0,0	#3 correction de la température du bol
P09	2,0 (degrés)	Différence de retour de température de boisson froide valeur

1.4.2 Introduction à la fonction et à l'ensemble

(Modèle: XN120B)

1. Appuyez sur la touche « Mixage », activez la fonction de mélange, le voyant de mélange est allumé. Appuyez sur Appuyez à nouveau sur la touche « Mixage » pour désactiver la fonction de mixage.
2. Appuyez sur la touche « Boisson froide » (la fonction de mélange doit être activée, sinon la touche Boisson froide ne fonctionne pas), activez la fonction boisson froide et froide le voyant de boisson est allumé (le compresseur est sous tension) ou le voyant de boisson froide clignote (le compresseur est éteint), puis appuyez à nouveau sur la touche « Boisson froide » pour fermer la fonction boisson froide.
3. Appuyez sur la touche « Slush » (la fonction de mixage doit être activée, sinon le La touche Slush ne fonctionne pas) pour ouvrir la fonction Slush, et le voyant Slush est allumé (le compresseur est sous tension) ou le voyant de neige fondue clignote (le compresseur est sous tension) éteint), puis appuyez à nouveau sur la touche « Slush » pour fermer la fonction Slush.
4. Appuyez sur la touche « Éclairage » pour allumer la lumière, puis appuyez à nouveau sur la touche « Éclairage » pour éteindre la lumière.
5. Appuyez sur la touche « Set » pour accéder à l'état de réglage des paramètres utilisateur. À ce stade, appuyez sur la touche « Set » pour modifier l'objet de réglage, appuyez sur la touche « Soustraire (-) » et la touche « Ajouter(+) » pour modifier la valeur. Après 5 secondes sans opération la clé, le système quittera et enregistrera automatiquement la valeur de réglage.
6. Maintenez enfoncées les touches « Soustraire (-) » et « Ajouter (+) » pendant 5 secondes en même temps il est temps d'entrer dans le mode de réglage des paramètres d'usine, appuyez sur la touche « Éclairage » pour changer l'objet, appuyez sur la touche « Soustraire (-) » et sur la touche « Ajouter (+) » pour changer la valeur. Le système quittera et enregistrera automatiquement les paramètres après 5 secondes sans aucune opération de touche.

(Modèle: XN240B)

1. Appuyez sur la touche « Mélange gauche », activez la fonction de mélange gauche, le voyant de mélange gauche est allumé. Appuyez à nouveau sur la touche « Mixage gauche » pour désactiver la fonction de mixage gauche.
2. Appuyez sur la touche « Mélange à droite », activez la fonction de mélange à droite, le voyant de mélange à droite est activé. Appuyez à nouveau sur la touche « Mixage droit » pour désactiver la fonction de mixage droit.
3. Appuyez sur la touche « Boisson froide » (une fonction de mélange doit être activée, sinon la touche Boisson froide ne fonctionne pas), activez la fonction Boisson froide et le voyant Boisson froide s'allume (le compresseur est sous tension) ou le voyant Boisson froide

clignote (le compresseur est éteint), puis appuyez à nouveau sur la touche « Boisson froide » pour fermer la fonction boisson froide.

4. Appuyez sur la touche « Slush » (une fonction de mixage doit être activée, sinon la touche Slush ne fonctionne pas) pour ouvrir la fonction Slush, et la lumière Slush est allumé (le compresseur est sous tension) ou le voyant de neige fondue clignote (le compresseur est sous tension) éteint, puis appuyez à nouveau sur la touche « Slush » pour fermer la fonction Slush.

5. Appuyez sur la touche « Éclairage » pour allumer la lumière, puis appuyez à nouveau sur la touche « Éclairage » pour éteindre la lumière.

6. Appuyez sur la touche « Set » pour accéder à l'état de réglage des paramètres utilisateur. À ce stade, appuyez sur la touche « Set » pour modifier l'objet de réglage, appuyez sur la touche « Soustraire (-) » et Touche « Ajouter(+) » pour modifier la valeur. Après 5 secondes sans actionner la touche, le système quittera et enregistrera automatiquement la valeur du paramètre.

7. Maintenez enfoncées simultanément les touches « Set » et « Add (+) » pendant 5 secondes pour entrer dans le mode de réglage des paramètres d'usine, appuyez sur la touche « Set » pour modifier l'objet, appuyez sur la touche « Soustraire (-) » et sur la touche « Ajouter (+) » pour modifier la valeur. Le système quittera et enregistrera automatiquement les paramètres après 5 secondes sans aucune opération de touches.

(Modèle: XN360B)

1. Appuyez sur la touche « Mélange gauche », activez la fonction de mélange gauche, le voyant de mélange gauche est allumé. Appuyez à nouveau sur la touche « Mixage gauche » pour désactiver la fonction de mixage gauche.

2. Appuyez sur la touche « Mid Mixing », activez la fonction de mixage intermédiaire, le voyant de mixage intermédiaire s'allume. Appuyez à nouveau sur la touche « Mid Mixing » pour désactiver la fonction de mixage intermédiaire.

3. Appuyez sur la touche « Mélange à droite », activez la fonction de mélange à droite, le voyant de mélange à droite est activé. Appuyez à nouveau sur la touche « Mixage droit » pour désactiver la fonction de mixage droit.

4. Appuyez sur la touche « Boisson froide » (une fonction de mélange doit être activée, sinon la touche Boisson froide ne fonctionne pas), activez la fonction Boisson froide et le voyant Boisson froide s'allume (le compresseur est sous tension) ou le voyant Boisson froide clignote (le compresseur est éteint), puis appuyez à nouveau sur la touche « Boisson froide » pour fermer la fonction boisson froide.

5. Appuyez sur la touche « Slush » (une fonction de mixage doit être activée, sinon la touche Slush ne fonctionne pas) pour ouvrir la fonction Slush, et la lumière Slush est allumé (le compresseur est sous tension) ou le voyant de neige fondue clignote (le compresseur est sous tension)

(éteint), puis appuyez à nouveau sur la touche Slush pour fermer la fonction Slush.

6. Appuyez sur la touche « Éclairage » pour allumer la lumière, puis appuyez à nouveau sur la touche « Éclairage » pour éteindre la lumière.

7. Appuyez sur la touche « Set » pour accéder à l'état de réglage des paramètres utilisateur. À ce stade, appuyez sur la touche « Set » pour modifier l'objet de réglage, appuyez sur la touche « Soustraire (-) » et la touche « Ajouter(+) » pour modifier la valeur. Après 5 secondes sans opération la clé, le système quittera et enregistrera automatiquement la valeur de réglage.

8. Maintenez enfoncées les touches « Soustraire (-) » et « Ajouter (+) » pendant 5 secondes en même temps il est temps d'entrer dans le mode de réglage des paramètres d'usine, appuyez sur la touche « Set » pour modifier l'objet, appuyez sur la touche « Soustraire (-) » et la touche « Ajouter (+) » pour modifier l'objet. valeur. Le système quittera et enregistrera automatiquement les paramètres après 5 secondes sans aucune opération de touche.

Remarque : lorsque la machine fonctionne bien, ne modifiez pas les paramètres d'usine.

1.4.3 Description du code d'alarme

1) "- -": L'alarme de bol gelé est déclenchée et le compresseur et le moteur s'arrêtent fonctionne et reprend automatiquement après 10 minutes.

2)"RH" : alarme de dysfonctionnement du capteur de température. Arrêter le refroidissement dans une boisson froide état de fonction sans affecter la fonction slush.

3)"LLL" : alarme basse tension, toute la machine s'arrête. Couper l'alimentation et vérifiez l'alimentation électrique. Redémarrez la machine une fois que la tension est stable. Si c'est le cas affiche « LLL » fréquemment, nous vous suggérons de connecter un stabilisateur de tension.

2. Sécurité

2.1 Règles générales de sécurité

1. Lisez attentivement l'intégralité du manuel

2. Le cordon d'alimentation doit être conforme aux normes de sécurité locales

3. Le cordon d'alimentation et la taille de la fiche doivent être conformes aux paramètres sur la plaque signalétique de la machine, correctement mis à la terre et couplé avec les interrupteurs et disjoncteurs appropriés. Ne jamais utiliser la machine à proximité d'objets inflammables ou explosifs.

• Aucune modification technique de la machine.

- Veuillez ne pas vaporiser de produit de rinçage sur la machine
- Assurez-vous de suivre les instructions pour utiliser la machine. • Veuillez ne pas monter la machine sur d'autres appareils.
- Veuillez ne pas laver avec du benzène ou d'autres substances dissoutes.
- Ne jamais bloquer les événements situés sur le côté de la machine.

Avant de nettoyer la machine, assurez-vous que la machine a été déconnecté du courant.

La machine doit être réparée par notre centre de service ou par un technicien qualifié. technicien.

*
Les dommages dus à une utilisation incorrecte annuleront notre garantie et L'usine ne sera pas responsable des blessures corporelles ou matérielles dommage.

2.2. Fonction d'arrêt

Coupez l'interrupteur principal pour arrêter la machine.

3. Fonctionnement et stockage

Toutes les opérations décrites au chapitre 4 doivent être réalisées par des professionnels en charge du transport/manutention de produits emballés ou non emballés.

Assurez-vous d'utiliser un équipement approprié en fonction de la nature et du poids des marchandises, ainsi que les stipulations pertinentes des réglementations locales.

3.1. Emballage

Les marchandises à expédier doivent être emballées et fixées avec de la mousse à l'intérieur et des boîtes en carton ou en bois à l'extérieur.

3.2. Transport et manutention

En cas de travaux physiques nécessaires, ceux-ci doivent être réalisés par au moins deux personnes.

- 1) La machine doit rester en position verticale lorsqu'elle est déplacée.
- 2) Faites attention à l'emballage et aux parties saillantes.

3.3. Stockage

La machine doit être nettoyée et désinfectée avant d'être mise en service. entrepôt.

Si la machine doit rester inutilisée pendant une longue période, des mesures de protection doivent être prises.
pris pour son emplacement de placement et sa durée de stockage :

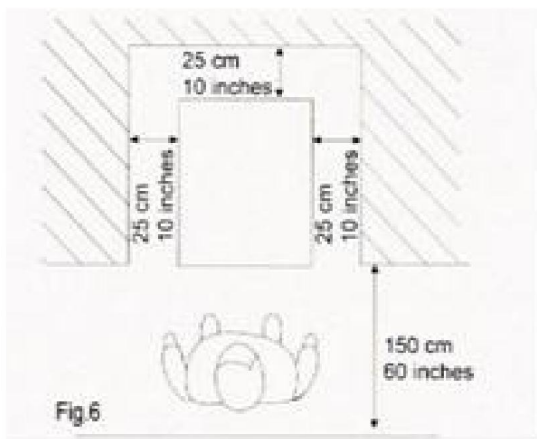
- 1) La machine doit être placée dans un espace clos.
- 2) Évitez que la machine soit heurtée ou écrasée.
- 3) La machine doit être placée dans un endroit frais et sec, non exposé à humidité et température élevée.
- 4) Gardez la machine à l'écart des substances corrosives.

4. Installation

La machine doit être installée dans une pièce lumineuse, bien aérée et avec un sol dur.
plancher solide.

4.1 Emplacement de montage

1. Le sol sur lequel la machine sera montée doit être ferme et plat.
2. L'espace doit être lumineux, bien aéré et propre.
3. Un espace libre suffisant doit être prévu pour faciliter un fonctionnement sans restriction.
ainsi qu'une utilisation d'urgence. *CONSEIL : Laissez un espace libre de 25 cm (10 po) sur le dessus
du bol.



* Avant d'utiliser la machine pour la première fois, toutes les pièces doivent être nettoyées et les pièces en contact avec la neige fondante doivent être manipulées avec précaution ;
pour plus de détails, veuillez lire la section correspondante.

4.2. Connexion électrique

Assurez-vous que l'interrupteur principal est sur « 0 » avant

vous branchez.

Attention : La prise de courant doit être disposée dans un endroit facilement accessible par l'utilisateur.

5. Fonctionnement

5.1. Préparation du matériel

Versez le matériau dans le bol lorsque la machine est éteinte et non alimentée.

Attention : la teneur minimale en sucre ne doit pas être inférieure à 13 %, car

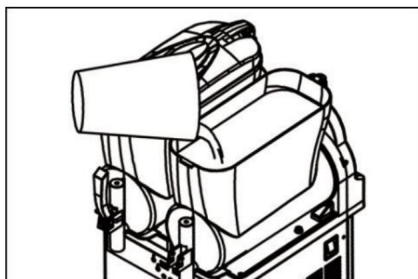
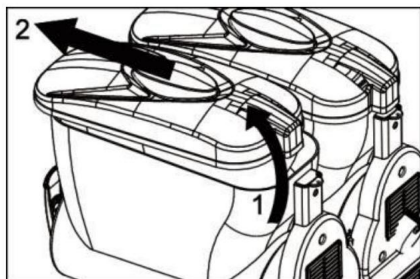
La concentration peut endommager la machine.

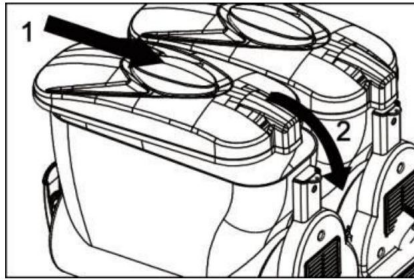
Retirez le couvercle du bol en suivant les instructions suivantes :

1. Soulevez l'arrière du couvercle.
2. Retirez le couvercle du support avant.
3. Une fois le matériau ajouté au bol, le couvercle du bol doit être mis dos.

Avertissement:

- 1) Veuillez ne pas ouvrir le couvercle de force.
- 2) Ne jamais ajouter de liquide à une température supérieure à 25 degrés Celsius.
- 3) Lors de l'alimentation du bol, veuillez à ne pas dépasser la limite maximale et doit dépasser l'arbre du mélangeur.
- 4) Veuillez ne pas allumer la machine lorsque le couvercle n'est pas en place. Veuillez éteindre et débrancher la machine avant de retirer le couvercle.
- 5) Veuillez éteindre et débrancher la machine avant de retirer des pièces de le bol





5.2. Démarrage de la machine à granité

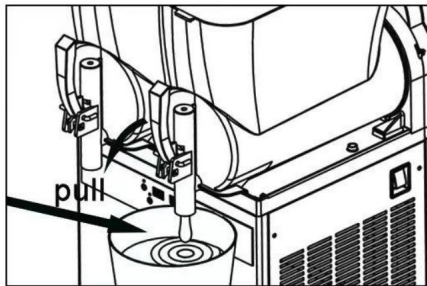
Se référer à 1.4. Description et fonction du panneau de commande.

5.3. Réglage de la concentration de la neige fondante

Reportez-vous à 1.4.2 pour configurer les paramètres ; la position la plus grande correspond à neige fondante plus épaisse.

5.4. Production de boues

Tirez sur la poignée pour produire la neige fondante.



Si la machine ne doit pas être utilisée en continu, les opérations suivantes sont requis dans le cas des produits laitiers :

- 1) Vaporisez de l'eau sur le robinet et la zone environnante.
(Utilisez un chiffon propre pour essuyer et désinfecter en même temps).
- 2) Avant de préparer de la granité pour le client, veuillez utiliser une petite quantité de produit à essayer en premier.

5.5 Situations d'urgence

- 1) En cas d'extrême urgence, placez l'interrupteur principal sur « 0 » pour éteindre l'appareil machine.

2) Si la machine est bloquée, éteignez-la et contactez le service après-vente. centre ou un technicien professionnel.

6. Nettoyage et entretien

Avant tout nettoyage et entretien des composants externes de l' machine, assurez-vous que l'interrupteur principal est situé sur la position « 0 » et que le la machine n'est pas branchée.

Pour le nettoyage et l'entretien, suivez ces instructions :

1. Mettez des gants de protection.
2. Ne jamais utiliser de matières solubles et explosives.
3. Lorsque la machine est sous tension et que l'interrupteur principal est en position « 1 », le nettoyage est interdit.

6.1 Vider le bol

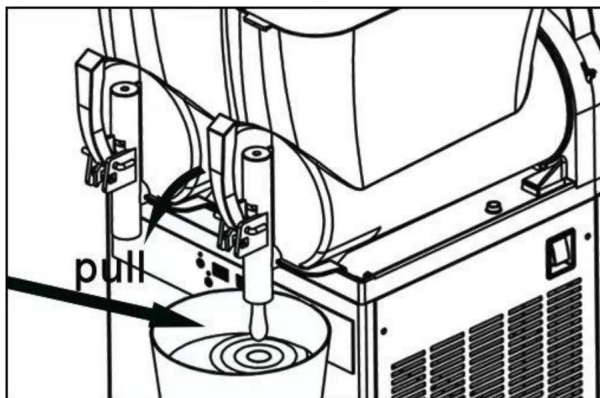
Avant de nettoyer le bol, veuillez d'abord retirer tous les éléments préalablement préparés. matériel.

6.2. Démontez les pièces de la poignée

Veuillez ne pas démonter la poignée de la machine s'il y a du matériel ou autre liquide dans le bol.

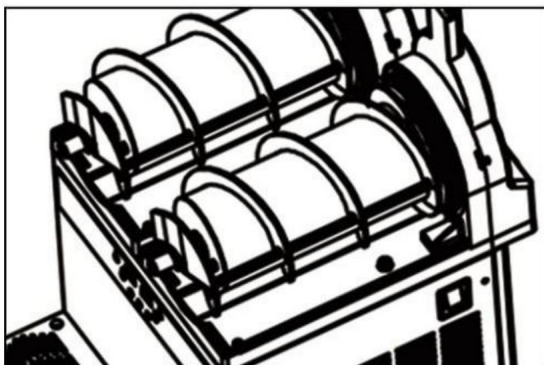
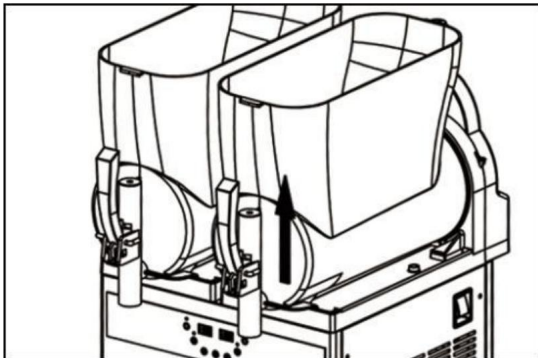
6.3 Retirez le bol et le couvercle

Retirez chaque bol pour vous assurer que la machine est propre et nette.



Retirez le bol comme suit :

1. Retirez le couvercle comme indiqué sur la figure.
2. Soulevez la partie avant du bol pour le desserrer.
3. Poussez doucement et faites pivoter son dos pour retirer le bol.
4. Retirez l'arbre du mélangeur et retirez la bague d'étanchéité.



6.4 Démontez la poignée de poussée

1. Posez la cuvette sur une surface lisse pour faciliter le retrait du robinet.
Tirez le « U » vers vous et poussez le robinet avec votre autre main.
2. Déverrouillez le ressort, maintenez-le enfoncé, poussez horizontalement et enfin relâchez-le.
3. Dévissez la barre du robinet.
4. Maintenez les deux brides en caoutchouc enfoncées et séparez-en le caoutchouc rouge.

Toutes les pièces doivent être lavées à l'eau chaude et au savon, puis complètement séchées à l'air libre avant en cours de remontage.

6.5. Laver et désinfecter les composants

Toutes les pièces précédemment retirées doivent être soigneusement nettoyées et désinfectées.

Remarque importante : les procédures de désinfection doivent être conformes à la machine directives d'exploitation.

Veillez suivre les instructions ci-dessous pour assurer une désinfection adéquate :

1. Versez la solution antiseptique dans le récipient (solution de sodium à 2 %) hypochlorite mélangé à de l'eau).
2. Lavez soigneusement le bol, le couvercle et l'évaporateur avec une éponge imbibée.
3. Nettoyer soigneusement avec de l'eau.
4. Versez le désinfectant dans un autre récipient.
5. Trempez les pièces démontées dans le désinfectant.
6. Faites tremper les pièces dans du désinfectant pendant 30 minutes.
7. Rincez abondamment à l'eau.
8. Séchez les pièces à l'air libre dans un endroit propre.
9. Remontez comme décrit dans la section 6.5.
10. Rincez abondamment à l'eau avant d'utiliser la machine.

Attention : Ne plongez pas le couvercle avec la lampe dans une solution. Avant pour nettoyer et désinfecter le couvercle, veuillez retirer le couvercle comme décrit dans la section précédente. Afin de nettoyer correctement le couvercle de la lampe, ces étapes doit être suivi:

1. Essayez le fond du couvercle (la partie en contact avec la machine) avec un chiffon propre et humide.
 2. Essayez l'extérieur de la machine avec un chiffon propre et humide.
 3. Utilisez une éponge imbibée de désinfectant pour désinfecter le fond du couvercle. Et assurez-vous de ne pas mouiller l'interface du couvercle avec la machine.
 4. Laissez fonctionner pendant 30 minutes.
 5. Rincez deux fois ou plus. Seul le bas du couvercle doit être essuyé avec éponge à eau propre.
 6. Posez le couvercle sur une surface plane et propre pour le sécher. Commencez par sécher le fond et essuyez les parties externes avec un chiffon propre.
 7. Remettez le couvercle en place après avoir nettoyé et désinfecté le bol.
- Ne nettoyez jamais la machine lorsque le couvercle est installé dessus.

6.6 Remonter les pièces nettoyées

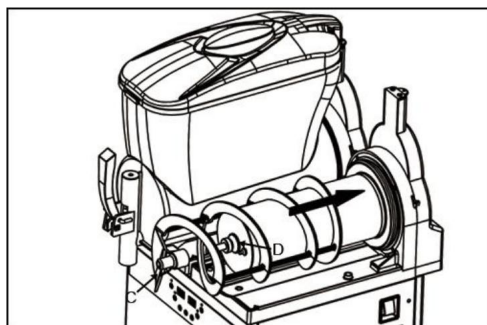
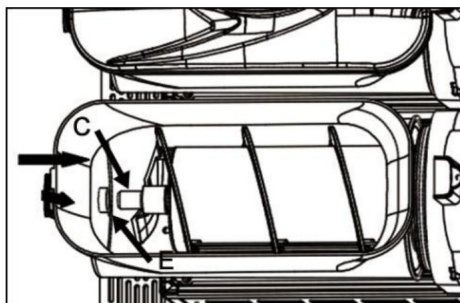
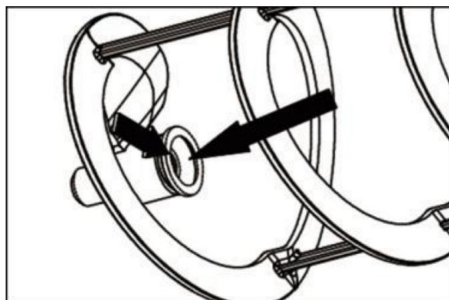
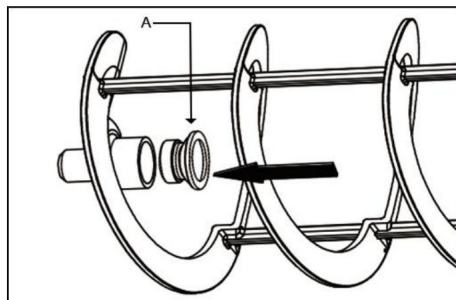
Tous les composants nettoyés et désinfectés doivent être soigneusement réinstallés et les composants doivent être entièrement lubrifiés pour que la machine fonctionne mieux efficacement.

Nettoyez le plateau et la grille séparément avec de l'eau tiède.

Sécher toutes les pièces.

Remettez la grille sur le plateau.

Installez la bague d'étanchéité de l'arbre du mélangeur comme indiqué.



Remarque importante : Vérifiez toujours l'intégrité de la bague d'étanchéité. Si la bague d'étanchéité est cassé, il faut le remplacer par un neuf.

Utilisez la vaseline fournie pour lubrifier la bague d'étanchéité dans la zone illustrée.

Installez l'arbre du mélangeur comme indiqué ; installez la tête de l'arbre du mélangeur (C) pour l'arbre (D).

Conseils : Faites-le tourner dans la première moitié du bol et poussez le bol vers le position désignée en contact avec la bague d'étanchéité (B).

1) Alignez la tête de l'arbre du mélangeur avec l'interface à l'intérieur du bol, appuyez Descendez le bol et suivez les instructions ci-dessous pour réinstaller le robinet.

2) Lubrifiez entièrement les articulations avec la vaseline fournie.

3) Placez le piston dans la position désignée et poussez la poignée jusqu'à ce qu'il relie le robinet.

6.7 Cycle de rinçage

Avant de démarrer la machine, il faut la nettoyer en cycle.

Procédez comme suit :

1. Remplissez le bol d'eau.
2. Laissez la machine remuer pendant 5 minutes.
3. Éteignez la machine et ouvrez le robinet pour vider l'eau du bol.

6.8 Nettoyer la boîte à eau

La boîte à eau doit être vidée et nettoyée régulièrement.

Soulevez la boîte à eau avec le couvercle, puis retirez-la.

6.9 Couvercle de la lampe

6.10 Remplacement de la lampe

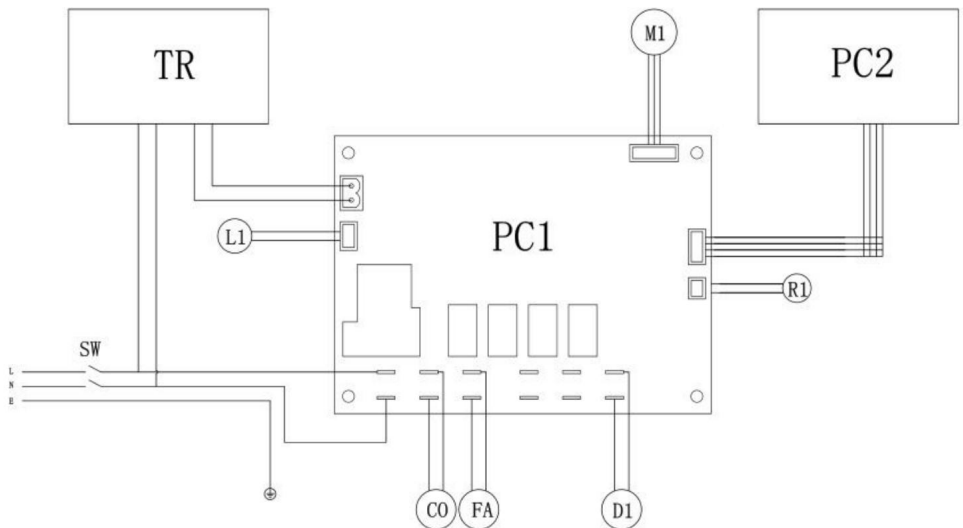
Lors du remplacement de la lampe, l'interrupteur principal doit être éteint et le l'alimentation doit être coupée.

Retirez le capuchon de protection et dévissez les vis du couvercle ; utilisez des tournevis pour fonctionner.

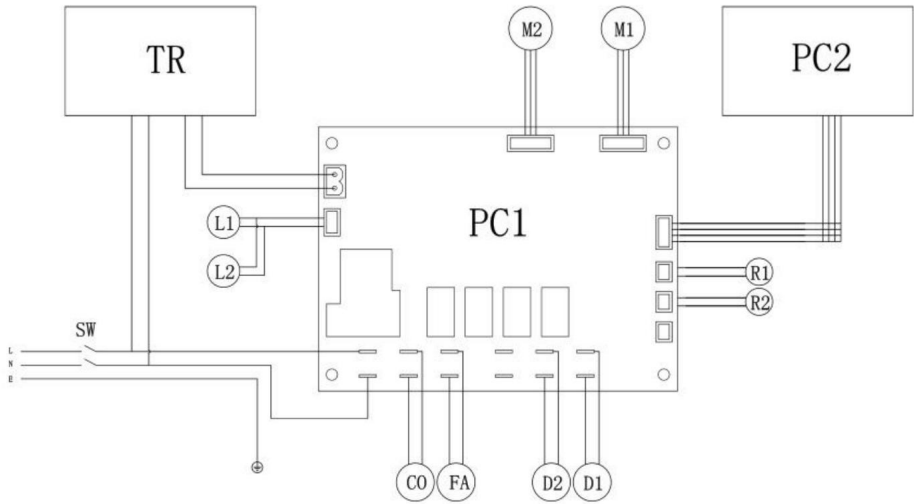
6.11 Entretien régulier

- 1) La machine doit être entretenue régulièrement par des techniciens professionnels (au moins une fois par an).
- 2) Une inspection régulière peut garantir que tous les composants sont installés en place et que la machine peut fonctionner en toute sécurité.
- 3) Tout composant endommagé doit être remplacé par des pièces d'origine.

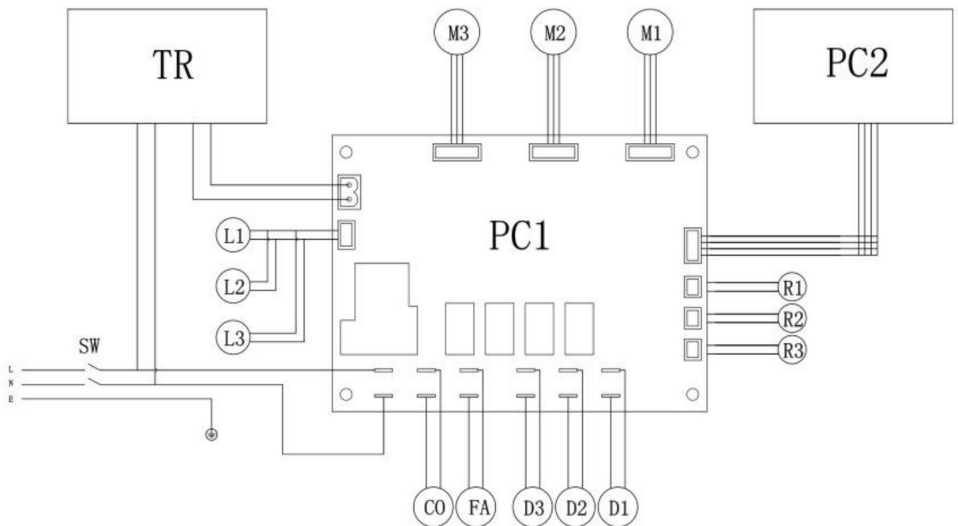
7. Schéma de câblage



Carte PCI-Vain, panneau d'affichage PC2, commutateur \$i, compresseur 00, ventilateur FA, transformateur 1R, agitateur M1, éclairage LI-LED, capteur de température RI.



Carte PCI principale, panneau d'affichage p2, commutateur Sh, compresseur 00, ventilateur FA, TR-TransformateurMI/1/1%2-Stirring Whotor, II/1/2-ED Lighting, Capteur de température RI/R2, électrovanne DI/02



Carte PCI principale, panneau d'affichage p2, commutateur SNS, compresseur C0, ventilateur FA, transformateur TR, agitateur M1/1/M2/M3, LED L1/L2/L3 Éclairage. R1/R2/R3-Capteur de température, DI/D2/03-Électrovanne

VEVOR®

TOUGH TOOLS, HALF PRICE

Assistance technique et certificat de garantie
électronique www.vevor.com/support

VEVOR®

TOUGH TOOLS, HALF PRICE

Technischer Support und E-Garantie-Zertifikat www.vevor.com/support

Slush-Maschine

MODELL: XN120B XN240B XN360B

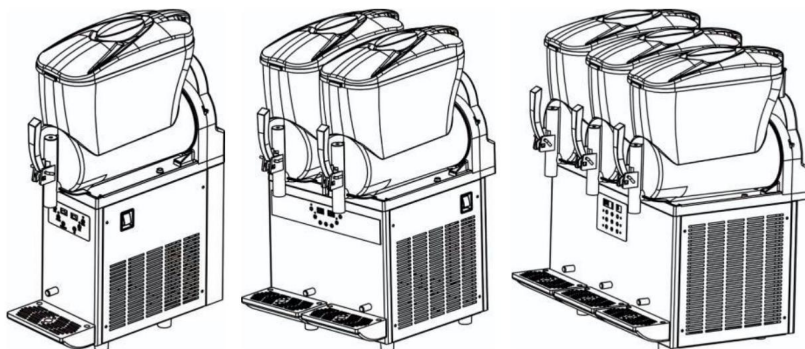
Wir sind weiterhin bestrebt, Ihnen Werkzeuge zu wettbewerbsfähigen Preisen anzubieten.

„Sparen Sie die Hälfte“, „Halber Preis“ oder andere ähnliche Ausdrücke, die wir verwenden, stellen nur eine Schätzung der Ersparnis dar, die Sie beim Kauf bestimmter Werkzeuge bei uns im Vergleich zu den großen Topmarken erzielen können, und decken nicht unbedingt alle von uns angebotenen Werkzeugkategorien ab. Wir möchten Sie freundlich daran erinnern, bei Ihrer Bestellung bei uns sorgfältig zu prüfen, ob Sie im Vergleich zu den großen Topmarken tatsächlich die Hälfte sparen.

VEVOR[®]
TOUGH TOOLS, HALF PRICE

Slush-Maschine

MODELL: XN120B XN240B XN360B



Brauchen Sie Hilfe? Kontaktieren Sie uns!

Haben Sie Fragen zum Produkt? Benötigen Sie technischen Support? Bitte kontaktieren Sie uns:

Technischer Support und E-Garantie-Zertifikat www.vevor.com/support

Dies ist die Originalanleitung. Bitte lesen Sie alle Anweisungen sorgfältig durch, bevor Sie das Gerät in Betrieb nehmen. VEVOR behält sich eine klare Auslegung unserer Bedienungsanleitung vor. Das Erscheinungsbild des Produkts richtet sich nach dem Produkt, das Sie erhalten haben. Bitte verzeihen Sie uns, dass wir Sie nicht erneut informieren, wenn es Technologie- oder Software-Updates für unser Produkt gibt.



Warnung-Um das Verletzungsrisiko zu verringern, muss der Benutzer
Lesen Sie die Bedienungsanleitung sorgfältig durch.

ACHTUNG: Änderungen oder Modifikationen, die nicht ausdrücklich

Die von der Konformitätsbeauftragten genehmigte

die Berechtigung des Benutzers zur Bedienung des Gerätes!

Dieses Gerät entspricht Teil 15 der FCC-Regeln.

Für den Betrieb gelten die folgenden zwei Bedingungen:

1) Dieses Produkt kann schädliche Störungen verursachen.

2) Dieses Produkt muss alle Störungen akzeptieren,

einschließlich Störungen, die einen unerwünschten Betrieb verursachen können.

ACHTUNG: Änderungen oder Modifikationen an diesem Produkt dürfen nicht

ausdrücklich von der Partei genehmigt.verantwortlich für die Einhaltung

kann zum Erlöschen der Berechtigung des Benutzers zum Betrieb des Produkts führen.

Hinweis: Dieses Produkt wurde getestet und entspricht den

die Grenzwerte für ein digitales Gerät der Klasse B gemäß Teil 15 der

Die FCC-Regeln, Diese Grenzen sind so konzipiert, dass

angemessener Schutz gegen schädliche Störungen in einem

Installation im Wohnbereich.

Dieses Produkt erzeugt, verwendet und kann Radiowellen ausstrahlen.

Frequenzenergie, und wenn sie nicht in installiert und verwendet werden

bestimmungsgemäßem Gebrauch kann zu gesundheitsschädlichen

Störungen des Funkverkehrs. Es gibt jedoch keine

Garantie, dass es in einem bestimmten

Installation. Wenn dieses Produkt Störungen verursacht,

Radio- oder Fernsehempfang, der bestimmt werden kann durch

Durch Aus- und Einschalten des Produkts wird dem Benutzer empfohlen,

um die Störung durch eine oder mehrere der folgenden Maßnahmen zu beheben


Maßnahmen.

• Richten Sie die Empfangsantenne neu aus oder platzieren Sie sie an

einem anderen Ort. • Vergrößern Sie den Abstand zwischen Produkt und Empfänger. •

Schließen Sie das Produkt an eine Steckdose an, die sich in einem anderen Stromkreis befindet als
das, an das der Empfänger angeschlossen ist.



	<ul style="list-style-type: none">• Wenden Sie sich an den Händler oder einen erfahrenen Radio-/Fernsehtechniker.
	<p>Dieses Produkt unterliegt den Bestimmungen der europäischen Richtlinie 2012/19/EU. Das Symbol einer durchgestrichenen Mülltonne weist darauf hin, dass das Produkt in der Europäischen Union einer getrennten Müllentsorgung unterliegt. Dies gilt für das Produkt und alle mit diesem Symbol gekennzeichneten Zubehörteile. So gekennzeichnete Produkte dürfen nicht im normalen Hausmüll entsorgt werden, sondern müssen an einer Sammelstelle für das Recycling von elektrischen und elektronischen Geräten abgegeben werden.</p>

Inhaltsverzeichnis

1. Produktbeschreibung 1.1.

Produktverwendung

1.2. Hauptteile

1.3. Technische Parameter

1.4. Beschreibung und Funktion des Bedienfelds

2. Sicherheit

2.1. Sicherheitsregeln

2.2. Stoppfunktion

3. Betrieb und Lagerung 3.1.

Verpackung 3.2.

Transport und Betrieb 3.3. Lagerung

4. Installation

4.1. Montageort

4.2. Stromanschluss

5. Bedienung

5.1. Materialvorbereitung 5.2

Starten der Slush-Maschine 5.3.

Einstellung der Slush-Konzentration 5.4. Slush-Produktion

5.5. Notfallsituation

6. Reinigung und Wartung 6.1. Leeren

Sie die Schüssel 6.2.

Demontieren Sie die Griffteile

6.3. Schüssel und Deckel entfernen

6.4. Den Schiebegriff demontieren

6.5. Waschen und Desinfizieren der Komponenten

6.6. Zusammenbau der gereinigten Teile 6.7.

Spülzyklus 6.8.

Reinigen des Wasserbehälters

6.9. Lampenabdeckung

6.10. Lampenaustausch 6.11.

Regelmäßige Wartung

7. Schaltplan

1. Produktbeschreibung

1.1. Produktverwendung

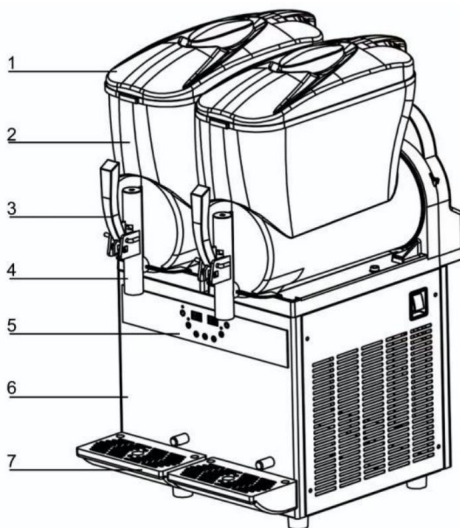
Diese Maschine ist für die Herstellung von Slush und kalten Getränken geeignet und der Betrieb dieser Slush-Maschine muss den geltenden Normen entsprechen.

1.2. Hauptteile

Die Hauptkomponenten der Maschine sind

ist wie folgt:

1. Schüsseldeckel
2. Schüssel
3. Entladeschlüssel 4.
- Entladeanschluss 5.
- Bedienfeld
6. Fahrgestell
7. Wasserwanne



1.3. Technische Parameter

Modell: siehe Typenschild

Größe: siehe Typenschild

Maximale Ausgangsleistung (Watt): siehe Typenschild

Betriebsspannung (Volt): siehe Typenschild an der Seite der Maschine

Betriebsumgebungstemperaturbereich: von 5 Grad bis 32 Grad

Schüsselnummer: 1/2/3

Kapazität einer einzelnen Schüssel (L):12

Schalldruckpegel: mindestens 65 dB

Klasse: N

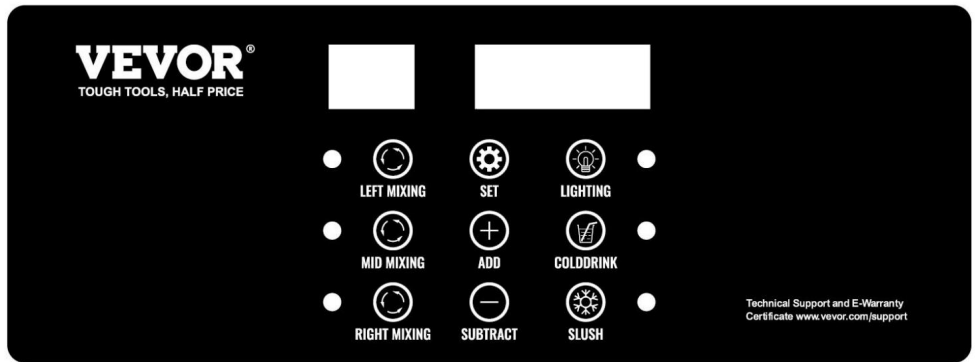
*

Tipp: Das Werk behält sich das Recht vor, die Maschine ohne Rückfrage zu verändern.

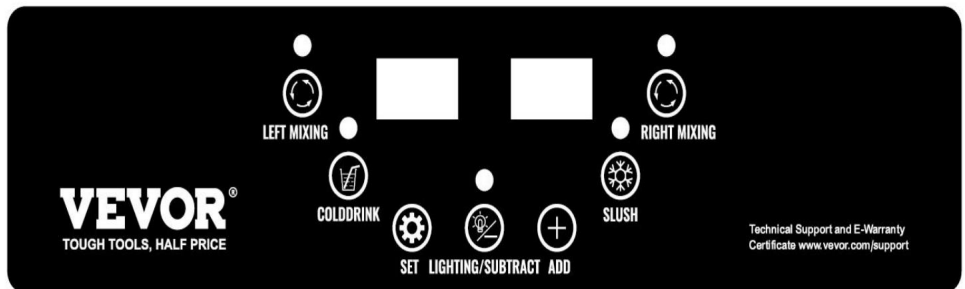
1.4 Beschreibung und Funktion des Bedienfelds 1.4.1

Bedienfelddiagramm:

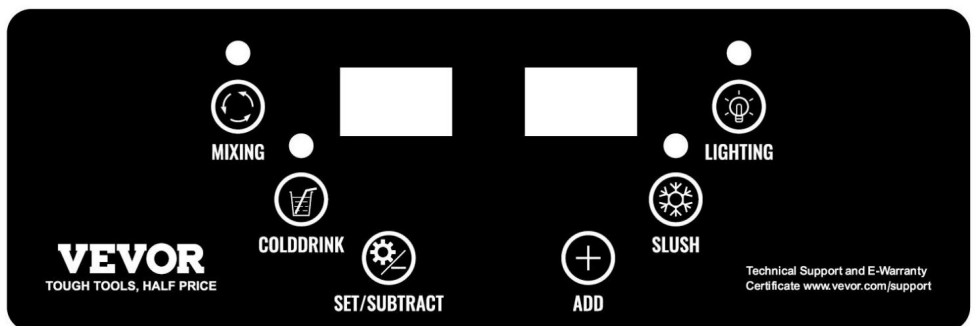
MODELL: XN360B



MODELL: XN240B



MODELL: XN120B



Modellcode		Fabrik Einstellung	Bedeutung
XN120B	ABB. 1	-2,0ÿ	Matschtemperatur
	CD1	5,0ÿ	Temperatur von Kaltgetranken
XN240B	ABB. 1	-2,0ÿ	Matschtemperatur fur linke Schussel
	SL2	-2,0ÿ	Matschtemperatur fur rechte Schussel
	CD1	5,0ÿ	Kaltgetranketemperatur fur die linke Schussel
	Cd2	5,0 ÿ	Kaltgetranketemperatur fur die rechte Schussel
XN360B	S1	-2,0ÿ	Matschtemperatur fur die linke Schussel
	S2	-2,0ÿ	Matschtemperatur fur die mittlere Schussel
	S3	-2,0ÿ	Matschtemperatur fur die rechte Schussel
	C1	5,0 ÿ	Kaltgetranketemperatur fur die linke Schussel
	C2	5,0 ÿ	Kaltgetranketemperatur fur die mittlere Schussel
	C3	5,0ÿ	Kaltgetranketemperatur fur die rechte Schussel

Code	Werkseinstellung	Bedeutung
P00	0,2 (Grad)	Matschtemperatur-Rucklaufdifferenz Wert
P01	0 (Grad)	Die maximale Einstelltemperatur
P02	-15,0 (Grad)	Die minimale Einstelltemperatur
P03	10 (Minuten)	Presseschutzzeit
Teil 04	110 V: 85 (V) 220 V: 185 (V)	Unterspannungsschutzwert
P05	1 (0: Deaktivieren 1: Aktivieren)	Spannungsschutz aktiviert
P06	0,0	# 1 Schusseltemperaturkorrektur
P07	0,0	# 2 Schusseltemperaturkorrektur
P08	0,0	# 3 Schusseltemperaturkorrektur
P09	2,0 (Grad)	Temperatur-Rucklaufdifferenz fur Kaltgetranke Wert

1.4.2 Einführung von Funktion und Menge

(Modell: XN120B)

1. Drücken Sie die Taste „Mischen“, um die Mischfunktion einzuschalten. Das Mischlicht leuchtet. Drücken Sie Drücken Sie die Taste „Mischen“ erneut, um die Mixfunktion auszuschalten.
2. Drücken Sie die Taste „Cold Drink“ (die Mixfunktion muss eingeschaltet sein, sonst die Kaltgetränke-Taste funktioniert nicht), schalten Sie die Kaltgetränke-Funktion ein und kalt Getränkeleuchte leuchtet (der Kompressor ist eingeschaltet) oder Kaltgetränkeleuchte blinkt (Kompressor ist ausgeschaltet), dann drücken Sie die Taste „Cold Drink“ erneut, um zu schließen die Kaltgetränkefunktion.
3. Drücken Sie die Taste „Slush“ (die Mixfunktion muss eingeschaltet sein, sonst Slush-Taste funktioniert nicht), um die Slush-Funktion zu öffnen, und Slush-Licht ist an (der Kompressor ist eingeschaltet) oder die Matschlampe blinkt (Kompressor ist ausgeschaltet), und drücken Sie dann erneut die Taste „Slush“, um die Slush-Funktion zu beenden.
4. Drücken Sie die Taste „Beleuchtung“, um das Licht einzuschalten, und drücken Sie dann erneut die Taste „Beleuchtung“, um das Licht auszuschalten.
5. Drücken Sie die Taste „Set“, um in den Einstellungszustand der Benutzerparameter zu gelangen. Drücken Sie zu diesem Zeitpunkt die Taste „Set“, um das Einstellungsobjekt zu ändern, drücken Sie die Taste „Subtract(-)“ und „Add(+)“ Taste, um den Wert zu ändern. Nach 5 Sekunden ohne Bedienung Durch Drücken der Taste wird das System beendet und der Einstellungswert automatisch gespeichert.
6. Halten Sie die Tasten „Subtract(-)“ und „Add(+)“ gleichzeitig 5 Sekunden lang gedrückt. Um in den Werkparameter-Einstellmodus zu gelangen, drücken Sie die Taste „Beleuchtung“ Um das Objekt zu ändern, drücken Sie die Taste „Subtrahieren (-)“ und die Taste „Addieren(+)“, um es zu ändern. den Wert. Das System wird beendet und speichert die Parameter automatisch nach 5 Sekunden ohne Tastenbetätigung.

(Modell: XN240B)

1. Drücken Sie die Taste „Links mischen“, um die Linksmischfunktion einzuschalten. Die linke Mischleuchte leuchtet. Drücken Sie die Taste „Links mischen“ erneut, um die linke Mischfunktion auszuschalten.
2. Drücken Sie die Taste „Rechts mischen“, schalten Sie die rechte Mischfunktion ein, das rechte Mischlicht ist eingeschaltet. Drücken Sie die Taste „Rechtmischen“ erneut, um die Rechtmischfunktion auszuschalten.
3. Drücken Sie die Taste „Kaltgetränk“ (eine Mischfunktion muss eingeschaltet sein, sonst funktioniert die Taste „Kaltgetränk“ nicht), schalten Sie die Kaltgetränkefunktion ein und die Kaltgetränkeleuchte leuchtet (der Kompressor ist eingeschaltet) oder die Kaltgetränkeleuchte

blinkt (Kompressor ist ausgeschaltet), dann erneut die Taste „Cold Drink“ drücken um die Kaltgetränkfunktion zu beenden.

4. Drücken Sie die Taste „Slush“ (eine Mixfunktion muss eingeschaltet sein, sonst die Slush-Taste funktioniert nicht), um die Slush-Funktion zu öffnen, und Slush-Licht ist an (der Kompressor ist eingeschaltet) oder die Matschlampe blinkt (der Kompressor ist ausgeschaltet), und drücken Sie dann erneut die Taste „Slush“, um die Slush-Funktion zu beenden.

5. Drücken Sie die Taste „Beleuchtung“, um das Licht einzuschalten, und drücken Sie dann erneut die Taste „Beleuchtung“, um das Licht auszuschalten.

6. Drücken Sie die Taste „Set“, um in den Einstellungsstatus der Benutzerparameter zu gelangen. Drücken Sie nun die Taste „Set“, um das Einstellungsobjekt zu ändern, die Taste „Subtract(-)“ drücken und Mit der Taste „Add(+)“ können Sie den Wert ändern. Nach 5 Sekunden ohne Betätigung der Taste Das System wird beendet und der Einstellungswert automatisch gespeichert.

7. Halten Sie die Tasten „Set“ und „Add(+)“ gleichzeitig 5 Sekunden lang gedrückt, um Um in den Werkparameter-Einstellmodus zu gelangen, drücken Sie die Taste „Set“, um die Drücken Sie für das Objekt die Tasten „Subtrahieren (-)“ und „Addieren(+“), um den Wert zu ändern. Das System wird beendet und die Parameter werden nach 5 Sekunden automatisch gespeichert. ohne Tastenbetätigung.

(Modell: XN360B)

1. Drücken Sie die Taste „Links mischen“, um die Linksmischfunktion einzuschalten. Die linke Mischleuchte leuchtet. Drücken Sie die Taste „Links mischen“ erneut, um die linke Mischfunktion auszuschalten.

2. Drücken Sie die Taste „Mid Mixing“, um die Mid-Mixing-Funktion einzuschalten. Das Mid-Mixing-Licht ist ein. Drücken Sie die Taste „Mid Mixing“ erneut, um die Mid-Mixing-Funktion auszuschalten.

3. Drücken Sie die Taste „Rechts mischen“, schalten Sie die rechte Mischfunktion ein, das rechte Mischlicht ist eingeschaltet. Drücken Sie die Taste „Rechtmischen“ erneut, um die Rechtmischfunktion auszuschalten.

4. Drücken Sie die Taste „Kaltgetränk“ (eine Mischfunktion muss eingeschaltet sein, sonst funktioniert die Taste „Kaltgetränk“ nicht), schalten Sie die Kaltgetränkfunktion ein und die Kaltgetränkeleuchte leuchtet (der Kompressor ist eingeschaltet) oder die Kaltgetränkeleuchte blinkt (Kompressor ist ausgeschaltet), dann erneut die Taste „Cold Drink“ drücken um die Kaltgetränkfunktion zu beenden.

5. Drücken Sie die Taste „Slush“ (eine Mixfunktion muss eingeschaltet sein, sonst die Slush-Taste funktioniert nicht), um die Slush-Funktion zu öffnen, und Slush-Licht ist an (der Kompressor ist eingeschaltet) oder die Matschlampe blinkt (der Kompressor ist

ausgeschaltet), und drücken Sie dann die Slush-Taste erneut, um die Slush-Funktion zu beenden.

6. Drücken Sie die Taste „Beleuchtung“, um das Licht einzuschalten, und drücken Sie dann erneut die Taste „Beleuchtung“, um das Licht auszuschalten.

7. Drücken Sie die Taste „Set“, um in den Einstellungszustand der Benutzerparameter zu gelangen. Drücken Sie zu diesem Zeitpunkt die Taste „Set“, um das Einstellungsobjekt zu ändern, drücken Sie die Taste „Subtract(-)“ und „Add(+“ Taster, um den Wert zu ändern. Nach 5 Sekunden ohne Bedienung

Durch Drücken der Taste wird das System beendet und der Einstellungswert automatisch gespeichert.

8. Halten Sie die Tasten „Subtract(-)“ und „Add(+“ gleichzeitig 5 Sekunden lang gedrückt.

Um in den Werkparameter-Einstellmodus zu gelangen, drücken Sie die Taste „Set“, um

Um das Objekt zu ändern, drücken Sie die Tasten „Subtrahieren(-)“ und „Hinzufügen(+“), um das

Wert. Das System wird beendet und speichert die Parameter automatisch nach 5

Sekunden ohne Tastenbetätigung.

Hinweis: Wenn die Maschine einwandfrei funktioniert, ändern Sie bitte nicht die Werkseinstellungen.

1.4.3 Alarmcode Beschreibung

1) „-“: Es wird ein Alarm wegen gefrorener Schüssel ausgelöst und der Kompressor und der Motor werden gestoppt arbeitet, und wird nach 10 Minuten automatisch fortgesetzt.

2) „RH“: Alarm bei Fehlfunktion des Temperatursensors. Stoppt die Kühlung von Kaltgetränken

Funktionszustand ohne Beeinträchtigung der Slush-Funktion.

3) „LLL“: Unterspannungsalarm, die gesamte Maschine stoppt. Schalten Sie den Strom aus

und überprüfen Sie die Stromversorgung. Starten Sie die Maschine neu, nachdem die Spannung stabil ist. Wenn es zeigt häufig „LLL“ an. Wir empfehlen Ihnen, einen Spannungsstabilisator anzuschließen.

2. Sicherheit

2.1 Allgemeine Sicherheitsregeln

1. Lesen Sie das gesamte Handbuch sorgfältig durch

2. Das Netzkabel muss den örtlichen Sicherheitsstandards entsprechen

3. Das Netzkabel und die Steckergröße müssen den

Parameter auf dem Typenschild der Maschine, ordnungsgemäß geerdet und gekoppelt

mit entsprechenden Schaltern und Schutzschaltern. Betreiben Sie die Maschine niemals

in der Nähe von brennbaren oder explosiven

Gegenständen. • Keine technischen Veränderungen an der Maschine.

- Bitte nicht mit Wasser abspülen
- Befolgen Sie unbedingt die Anweisungen zur Bedienung der Maschine. •
Montieren Sie die Maschine bitte nicht auf anderen Geräten.
- Bitte nicht mit Waschbenzin oder anderen gelösten Stoffen waschen.
- Blockieren Sie niemals die Lüftungsschlitze an der Seite der Maschine.

Bevor Sie die Maschine reinigen, vergewissern Sie sich, dass die Maschine vom Stromnetz getrennt.

Die Reparatur der Maschine muss durch unser Service-Center oder einen geschulten Techniker.

*
**Bei Schäden durch unsachgemäßen Betrieb erlischt die Garantie und die
Das Werk ist nicht verantwortlich für Personen- oder Sachschäden
Schaden.**

2.2. Stoppfunktion

Um die Maschine anzuhalten, schalten Sie den Hauptschalter aus.

3. Betrieb und Lagerung

Alle in Kapitel 4 beschriebenen Arbeiten müssen von Fachleuten durchgeführt werden verantwortlich für den Transport/die Handhabung verpackter oder unverpackter Produkte. Achten Sie darauf, geeignete Ausrüstung je nach Art und Gewicht zu verwenden der Ware sowie die jeweiligen Bestimmungen der örtlichen Vorschriften.

3.1. Verpackung

Die zu versendenden Waren müssen innen mit Schaumstoff und außen mit Karton oder Holzkisten verpackt und fixiert sein.

3.2. Transport und Handhabung

Im Falle physischer Arbeiten müssen diese von mindestens zwei Personen durchgeführt werden. Menschen.

- 1) Die Maschine muss beim Verschieben aufrecht stehen.
- 2) Achten Sie auf die Verpackung und hervorstehende Teile.

3.3. Speicherung

Die Maschine sollte gereinigt und desinfiziert werden, bevor sie in den Lager.

Bei längerem Stillstand der Maschine sind Schutzmaßnahmen zu treffen.

für den Platzierungsort und die Lagerzeit berücksichtigt:

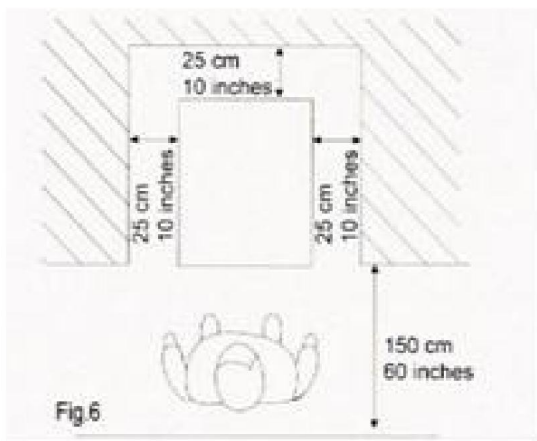
- 1) Die Maschine muss in einem geschlossenen Raum aufgestellt werden.
- 2) Verhindern Sie, dass die Maschine getroffen oder eingeklemmt wird.
- 3) Die Maschine sollte an einem kühlen und trockenen Ort aufgestellt werden und nicht Feuchtigkeit und hohe Temperaturen.
- 4) Halten Sie die Maschine von ätzenden Substanzen fern.

4. Installation

Die Maschine muss in einem hellen, gut belüfteten Raum mit einer harten fester Boden.

4.1 Montageort

1. Der Boden, auf dem die Maschine montiert wird, muss fest und eben sein.
2. Der Raum sollte hell, gut belüftet und sauber sein.
3. Es muss ausreichend Freiraum vorhanden sein, um einen uneingeschränkten Betrieb zu ermöglichen sowie für den Einsatz im Notfall. *TIPP: Lassen Sie oben 25 cm (10 Zoll) Freiraum der Schüssel.



* Vor dem ersten Gebrauch der Maschine müssen alle Teile gereinigt werden und die Teile, die mit dem Schneematsch in Berührung kommen, müssen vorsichtig behandelt werden.

für weitere Einzelheiten lesen Sie bitte den entsprechenden Abschnitt.

4.2. Stromanschluss

Stellen Sie sicher, dass der Hauptschalter auf "0" steht, bevor

Sie stecken ein.

Achtung: Die Steckdose muss an einer leicht zugänglichen Stelle angebracht werden

durch den Benutzer.

5. Bedienung

5.1. Materialvorbereitung

Gießen Sie das Material in die Schüssel, wenn die Maschine ausgeschaltet und stromlos ist.

Achtung: Der Mindestzuckergehalt sollte nicht unter 13% liegen, da niedrige

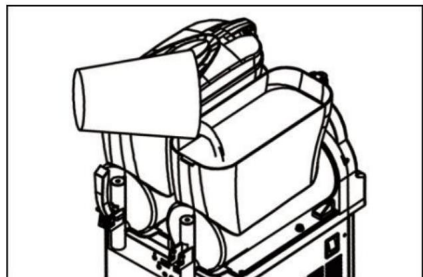
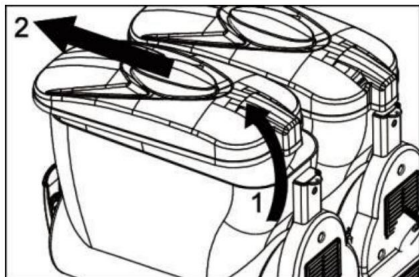
Konzentration kann die Maschine beschädigen.

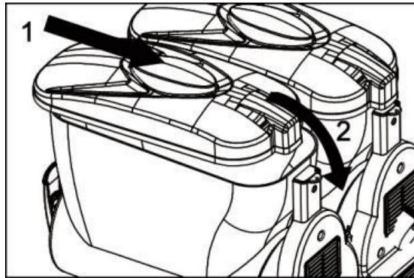
Nehmen Sie den Deckel gemäß den folgenden Anweisungen von der Schüssel ab:

1. Heben Sie die Rückseite des Deckels an.
2. Den Deckel von der vorderen Halterung abnehmen.
3. Nachdem das Material in die Schüssel gegeben wurde, sollte der Deckel auf die Schüssel gelegt werden zurück.

Warnung:

- 1) Bitte öffnen Sie den Deckel nicht gewaltsam.
- 2) Geben Sie niemals Flüssigkeiten hinzu, die heißer als 25 Grad Celsius sind.
- 3) Achten Sie beim Füttern des Napfes darauf, die Höchstgrenze nicht zu überschreiten und muss über die Rührwelle hinausragen.
- 4) Bitte schalten Sie die Maschine nicht ein, wenn der Deckel nicht aufgesetzt ist.
schalten Sie die Maschine aus und ziehen Sie den Stecker, bevor Sie den Deckel abnehmen.
- 5) Schalten Sie die Maschine aus und ziehen Sie den Stecker, bevor Sie Teile aus dem Gerät entfernen.
die Schüssel





5.2. Starten der Slush-Maschine

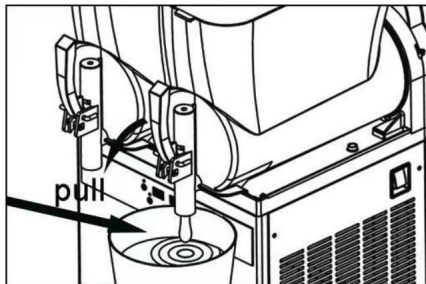
Siehe 1.4. Beschreibung und Funktion des Bedienfelds.

5.3. Einstellung der Matschkonzentration

Siehe 1.4.2 zum Einrichten von Parametern; die größere Position entspricht dickerer Matsch.

5.4. Matscherstellung

Ziehen Sie am Griff, um den Matsch herzustellen.



Wenn die Maschine nicht im Dauereinsatz ist, sind folgende Maßnahmen bei Milchprodukten erforderlich:

- 1) Sprühen Sie Wasser auf den Wasserhahn und die Umgebung.
(Gleichzeitig mit einem sauberen Tuch nachwischen und desinfizieren).
- 2) Bevor Sie Slush für den Kunden zubereiten, verwenden Sie bitte eine kleine Menge

Produkt, das Sie zuerst ausprobieren möchten.

5.5 Notfallsituationen

- 1) In extremen Notfällen den Hauptschalter auf „0“ stellen, um das Maschine.

2) Wenn die Maschine feststeckt, schalten Sie sie aus und kontaktieren Sie den Kundendienst Center oder einen professionellen Techniker.

6. Reinigung und Wartung

Vor jeder Reinigung und Wartung der Außenteile des Maschine, stellen Sie sicher, dass der Hauptschalter in der Position „0“ steht und der Die Maschine ist nicht eingesteckt.

Befolgen Sie zur Reinigung und Wartung diese Anweisungen:

1. Schutzhandschuhe anziehen.
2. Verwenden Sie niemals lösliche und explosive Materialien.
3. Wenn die Maschine eingeschaltet ist und sich der Hauptschalter in der Position „1“ befindet, ist das Reinigen verboten.

6.1 Schüssel leeren

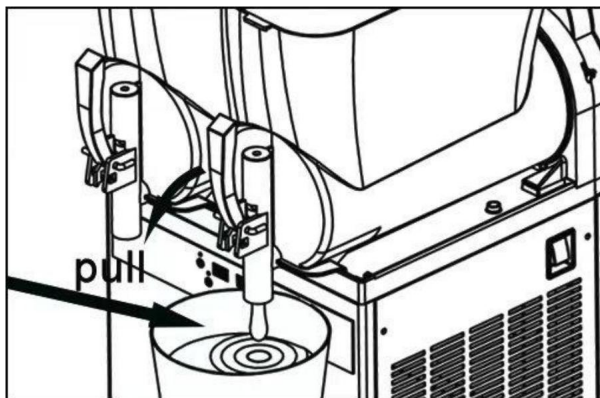
Bevor Sie die Schüssel reinigen, entfernen Sie bitte zunächst alle zuvor vorbereiteten Material.

6.2 Griffteile demontieren

Bitte demontieren Sie den Griff der Maschine nicht, wenn sich dort Material oder andere Flüssigkeit in der Schüssel.

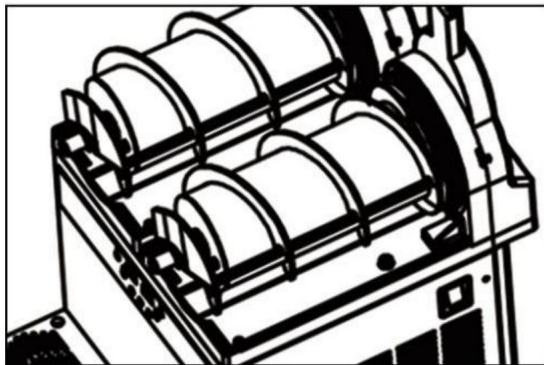
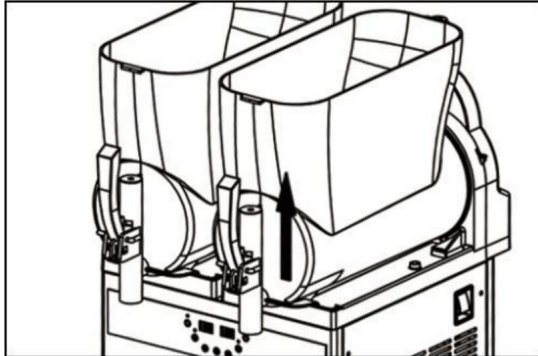
6.3 Schüssel und Deckel abnehmen

Entfernen Sie jede Schüssel, um sicherzustellen, dass die Maschine ordentlich und sauber ist.



So entfernen Sie die Schüssel:

1. Nehmen Sie den Deckel ab, wie in der Abbildung gezeigt.
2. Heben Sie den vorderen Teil der Schüssel an, um ihn zu lösen.
3. Drücken und drehen Sie die Rückseite vorsichtig, um die Schüssel zu entfernen.
4. Nehmen Sie die Mixerwelle heraus und entfernen Sie den Dichtungsring.



6.4 Schiebegriff demontieren

1. Stellen Sie die Schüssel auf eine glatte Oberfläche, um das Entfernen des Hahns zu erleichtern.
Ziehen Sie das „U“ zu sich heran und drücken Sie mit der anderen Hand auf den Hahn.
 2. Feder entriegeln, gedrückt halten, waagrecht drücken und schließlich loslassen.
 3. Schrauben Sie die Stange vom Wasserhahn ab.
 4. Halten Sie die beiden Gummiflansche nach unten und trennen Sie den roten Gummi davon.
- Alle Teile müssen mit heißem Wasser und Seife gewaschen und vollständig an der Luft getrocknet werden, bevor wieder zusammengebaut.

6.5. Waschen und desinfizieren Sie die Komponenten

Alle zuvor ausgebauten Teile müssen gründlich gereinigt und desinfiziert werden.

Wichtiger Hinweis: Desinfektionsverfahren müssen mit der Maschine übereinstimmen Betriebsrichtlinien.

Um eine ordnungsgemäße Desinfektion zu gewährleisten, befolgen Sie bitte die nachstehenden Anweisungen:

1. Die antiseptische Lösung in den Behälter geben (2% Natrium Hypochlorit mit Wasser vermischt).
2. Schüssel, Deckel und Verdampfer mit einem feuchten Schwamm gründlich reinigen.
3. Mit Wasser gründlich reinigen.
4. Desinfektionsmittel in einen anderen Behälter umfüllen.
5. Tauchen Sie die zerlegten Teile in das Desinfektionsmittel.
6. Weichen Sie die Teile 30 Minuten lang im Desinfektionsmittel ein.
7. Nochmals gründlich mit Wasser waschen.
8. Lassen Sie die Teile an einem sauberen Ort lufttrocknen.
9. Bauen Sie alles wieder zusammen, wie in Abschnitt 6.5 beschrieben.
10. Vor der Verwendung der Maschine gründlich mit Wasser abspülen.

Achtung: Tauchen Sie den Deckel mit der Lampe nicht in eine Lösung.

Reinigen und Desinfizieren des Deckels, entfernen Sie bitte den Deckel wie in der vorherigen Abschnitt. Um die Lampenabdeckung richtig zu reinigen, diese Schritte müssen beachtet werden:

1. Wischen Sie die Unterseite des Deckels (den Teil, der mit der Maschine in Berührung kommt) mit einem mit einem sauberen, feuchten Tuch ab.
2. Wischen Sie die Außenseite der Maschine mit einem sauberen, feuchten Tuch ab.
3. Desinfizieren Sie die Unterseite des Deckels mit einem mit Desinfektionsmittel getränkten Schwamm. Und achten Sie darauf, die Schnittstelle zwischen Deckel und Maschine nicht nass zu machen.
4. Lassen Sie den Vorgang 30 Minuten lang laufen.
5. Zweimal oder öfter spülen. Nur die Unterseite des Deckels muss mit sauberer Wasserschwamm.
6. Legen Sie den Deckel zum Trocknen auf eine saubere, flache Oberfläche. Trocknen Sie zuerst den Boden und wischen Sie die Außenteile mit einem sauberen Tuch.
7. Setzen Sie den Deckel wieder auf, nachdem die Schüssel gereinigt und desinfiziert wurde. Reinigen Sie die Maschine niemals mit montiertem Deckel.

6.6 Die gereinigten Teile wieder zusammenbauen

Alle gereinigten und desinfizierten Komponenten müssen sorgfältig wieder eingebaut werden.

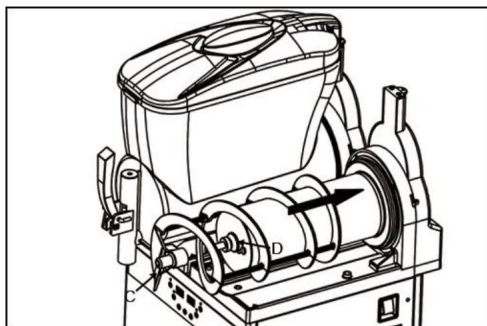
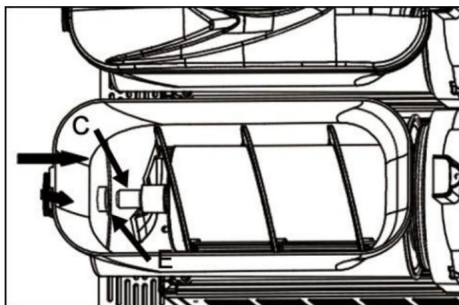
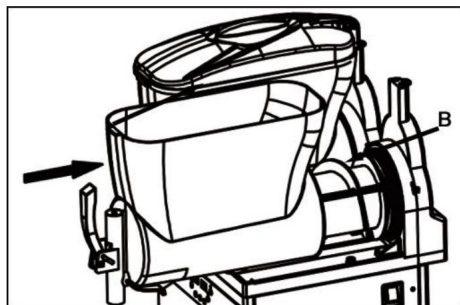
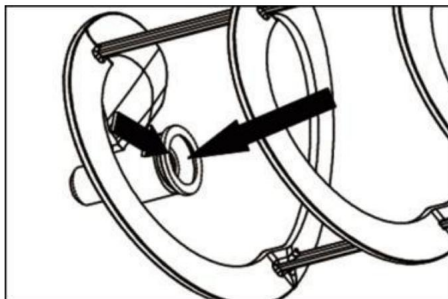
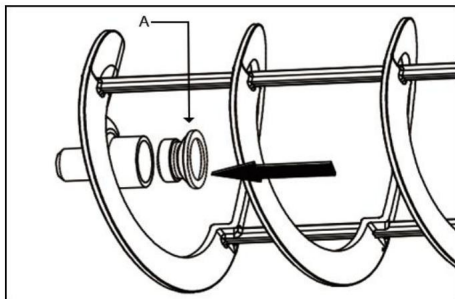
Komponenten müssen vollständig geschmiert sein, damit die Maschine mehr funktioniert effizient.

Reinigen Sie Tablett und Gitter separat mit warmem Wasser.

Trocknen Sie alle Teile.

Legen Sie das Gitter wieder über das Tablett.

Montieren Sie den Dichtring der Mischerwelle wie dargestellt.



Wichtiger Hinweis: Überprüfen Sie immer die Unversehrtheit des Dichtrings. Wenn der Dichtring defekt, sollte es durch ein Neues ersetzt werden.

Schmieren Sie den Dichtring im abgebildeten Bereich mit der mitgelieferten Vaseline.

Installieren Sie die Rührwelle wie gezeigt; montieren Sie den Kopf der Rührwelle (C) an der Welle (D).

Tipps: Drehen Sie es in die erste Hälfte der Schüssel und schieben Sie die Schüssel in die an der vorgesehenen Stelle den Dichtring (B) berühren.

1) Richten Sie den Kopf des Mixerschafts mit der Schnittstelle im Inneren der Schüssel aus, drücken Sie Senken Sie die Schüssel ab und befolgen Sie die nachstehenden Anweisungen, um den Wasserhahn wieder zu installieren.

2) Schmieren Sie die Gelenke gründlich mit der mitgelieferten Vaseline.

3) Den Kolben in die vorgesehene Position bringen und den Griff nach unten drücken, bis er verbindet den Wasserhahn.

6.7 Spülgang

Vor dem Start der Maschine muss diese gründlich gereinigt werden.

Gehen Sie wie folgt vor:

1. Füllen Sie die Schüssel mit Wasser.
2. Lassen Sie die Maschine 5 Minuten lang rühren.
3. Schalten Sie die Maschine aus und öffnen Sie den Wasserhahn, um das Wasser aus der Schüssel zu entleeren.

6.8 Wasserkasten reinigen

Der Wasserkasten sollte regelmäßig geleert und gereinigt werden.

Den Wasserkasten mit Deckel nach oben ziehen und anschließend herausnehmen.

6.9 Lampenabdeckung

6.10 Lampenwechsel

Beim Auswechseln der Lampe muss der Hauptschalter ausgeschaltet und die

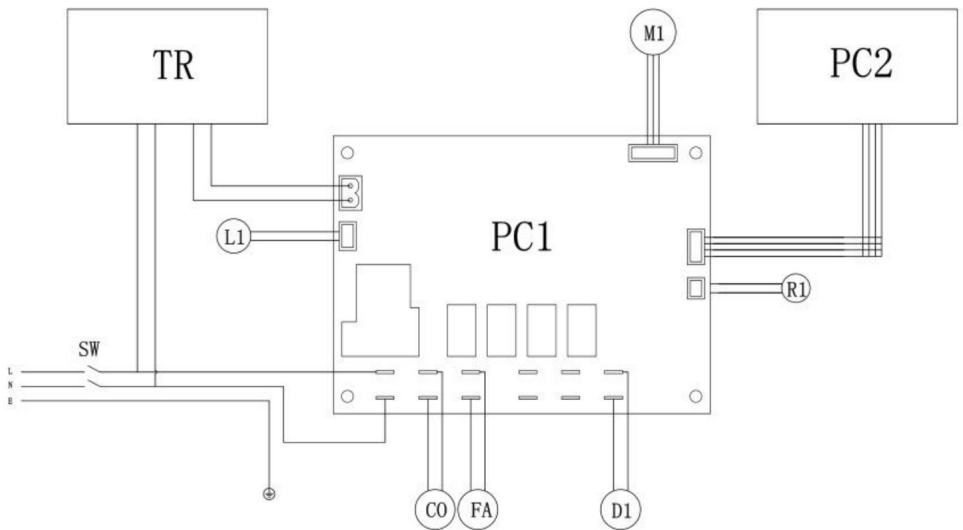
Die Stromversorgung muss unterbrochen werden.

Die Schutzkappe abnehmen und die Deckelschrauben lösen, dazu geeignete Schraubendreher zur Bedienung.

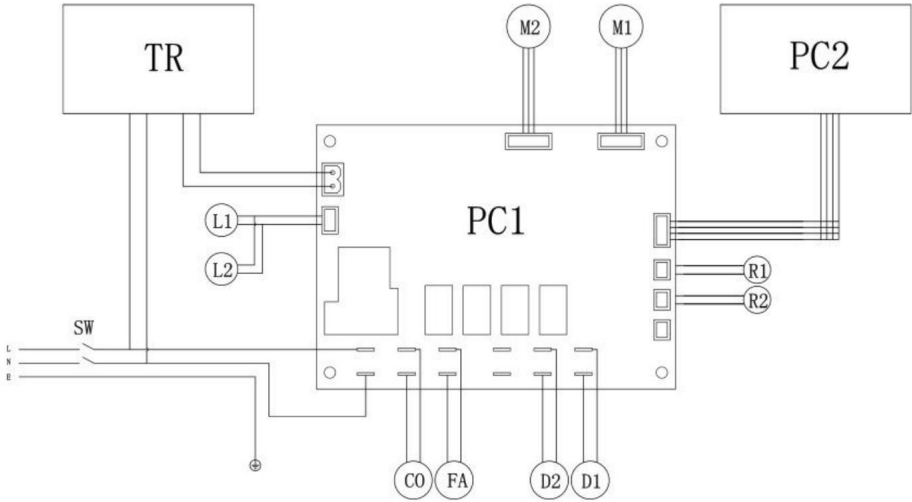
6.11 Regelmäßige Wartung

- 1) Die Maschine muss regelmäßig von professionellen Technikern gewartet werden (mindestens einmal im Jahr).
- 2) Durch regelmäßige Inspektionen kann sichergestellt werden, dass alle Komponenten an ihrem Platz installiert sind und die Maschine sicher laufen kann.
- 3) Eventuelle beschädigte Bauteile müssen durch Originalteile ersetzt werden.

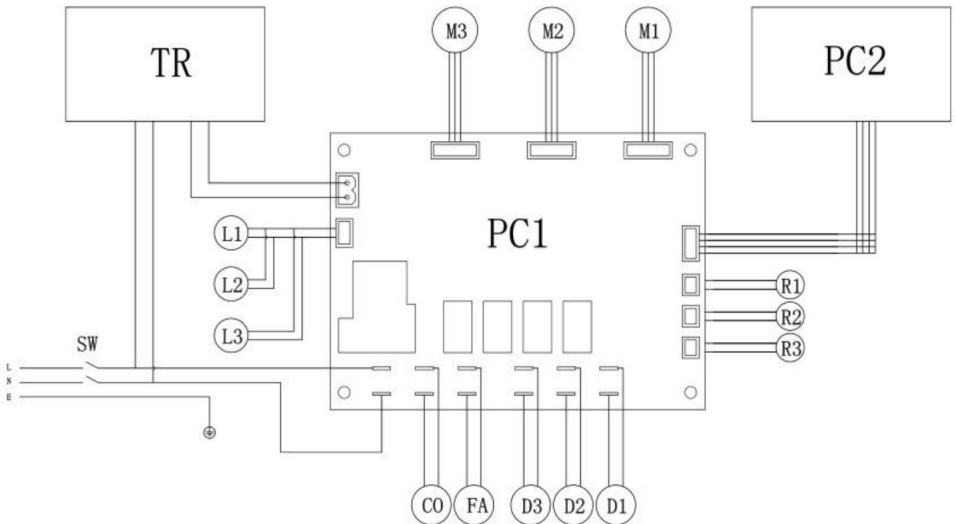
7. Schaltplan



PCI-Vain-PC-Platine, PC2-Anzeigefeld, \$i-Schalter, 00-Koppler, FA-Lüfter, 1R-Transformator, MI-Rührmotor, LI-LED-Beleuchtung, RI-Temperatursensor.



PCI-Hauptplatine, p2-Anzeigefeld, Sh-Schalter, 00-Kompressor, FA-Lüfter, TR-Transformator, M1/1/M2-Rührwerk, I/I2-ED-Beleuchtung, R1/R2-Temperatursensor, D1/02-Magnetventil



PCI-Hauptplatine, p2-Anzeigefeld, SN-Schalter, C0-Koppler, FA-Lüfter, TR-Transformator, M1/1/M2/M3-Rührmotor, L1/L2/L3-LED Beleuchtung, R1/R2/R3-Temperatursensor, D1/D2/03-Magnetventil

VEVOR[®]

TOUGH TOOLS, HALF PRICE

Technischer Support und E-Garantie-Zertifikat

www.vevor.com/support

VEVOR[®]

TOUGH TOOLS, HALF PRICE

Supporto tecnico e certificato di garanzia elettronica www.vevor.com/support

MACCHINA PER GRANITO

MODELLO: XN120B XN240B XN360B

Continuiamo a impegnarci per fornirvi strumenti a prezzi competitivi.

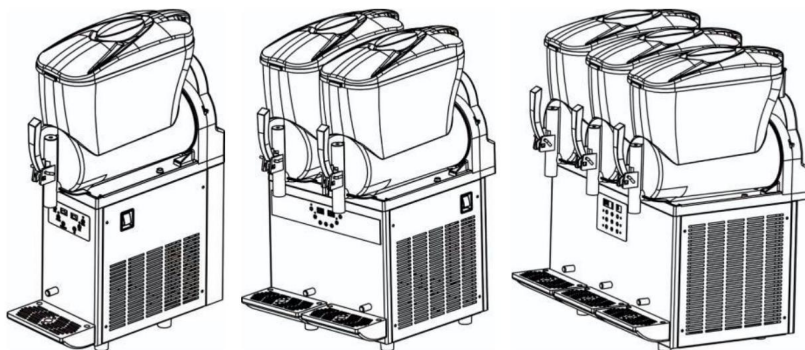
"Risparmia la metà", "Metà prezzo" o qualsiasi altra espressione simile da noi utilizzata rappresenta solo una stima del risparmio che potresti ottenere acquistando determinati utensili con noi rispetto ai principali marchi principali e non significa necessariamente coprire tutte le categorie di utensili da noi offerti. Ti ricordiamo gentilmente di verificare attentamente quando effettui un ordine con noi

se stai effettivamente risparmiando la metà rispetto ai principali marchi principali.

VEVOR[®]
TOUGH TOOLS, HALF PRICE

MACCHINA PER GRANITO

MODELLO: XN120B XN240B XN360B



HAI BISOGNO DI AIUTO? CONTATTACI!

Hai domande sul prodotto? Hai bisogno di supporto tecnico? Non esitare a contattarci:

Supporto

**tecnico e certificato di garanzia elettronica [www.vevor.com/
support](http://www.vevor.com/support)**

Questa è l'istruzione originale, si prega di leggere attentamente tutte le istruzioni del manuale prima di utilizzare. VEVOR si riserva una chiara interpretazione del nostro manuale utente. L'aspetto del prodotto sarà soggetto al prodotto ricevuto. Vi preghiamo di perdonarci se non vi informeremo di nuovo se ci sono aggiornamenti tecnologici o software sul nostro prodotto.



Attenzione: per ridurre il rischio di lesioni, l'utente deve leggere attentamente il manuale di istruzioni.

ATTENZIONE: Cambiamenti o modifiche non espressamente approvato dal soggetto responsabile della conformità potrebbe invalidare l'autorità dell'utente di utilizzare l'apparecchiatura!

Questo dispositivo è conforme alla Parte 15 delle Norme FCC.

Il funzionamento è soggetto alle due condizioni seguenti:

- 1) Questo prodotto può causare interferenze dannose.
- 2) Questo prodotto deve accettare qualsiasi interferenza ricevuta, comprese le interferenze che potrebbero causare un funzionamento indesiderato.


ATTENZIONE: Cambiamenti o modifiche a questo prodotto non espressamente approvato dalla parte responsabile della conformità potrebbe invalidare il diritto dell'utente a utilizzare il prodotto.

Nota: questo prodotto è stato testato e ritenuto conforme a i limiti per un dispositivo digitale di Classe B ai sensi della Parte 15 della le norme FCC, questi limiti sono progettati per fornire ragionevole protezione contro interferenze dannose in un installazione residenziale.



Questo prodotto genera, utilizza e può irradiare radio energia di frequenza, e se non installato e utilizzato in secondo le istruzioni, può causare danni interferenza alle comunicazioni radio. Tuttavia, non vi è alcuna garantire che non si verificheranno interferenze in un particolare installazione. Se questo prodotto causa interferenze dannose a ricezione radiofonica o televisiva, che può essere determinata da spegnendo e riaccendendo il prodotto, si incoraggia l'utente a provare per correggere l'interferenza mediante uno o più dei seguenti misure.

- Riorientare o riposizionare l'antenna ricevente.
- Aumentare la distanza tra il prodotto e il ricevitore.
- Collegare il prodotto a una presa su un circuito diverso da quello a cui è collegato il ricevitore.

	<ul style="list-style-type: none">• Per assistenza, consultare il rivenditore o un tecnico radio/TV esperto.
	<p>Questo prodotto è soggetto alle disposizioni della Direttiva Europea 2012/19/CE. Il simbolo raffigurante un bidone della spazzatura barrato indica che il prodotto richiede la raccolta differenziata dei rifiuti nell'Unione Europea. Ciò si applica al prodotto e a tutti gli accessori contrassegnati con questo simbolo. I prodotti contrassegnati come tali non possono essere smaltiti con i normali rifiuti domestici, ma devono essere portati in un punto di raccolta per il riciclaggio di dispositivi elettrici ed elettronici</p>

Sommario

1. Descrizione del prodotto

- 1.1. Utilizzo del prodotto
- 1.2. Parti principali
- 1.3. Parametri tecnici
- 1.4. Descrizione e funzione del pannello di controllo

2. Sicurezza

- 2.1. Norme di sicurezza
- 2.2. Funzione di arresto

3. Funzionamento e stoccaggio

- 3.1. Imballaggio 3.2.
- Trasporto e funzionamento 3.3.
- Stoccaggio

4. Installazione

- 4.1. Posizione di montaggio

4.2. Collegamento elettrico

5. Funzionamento

5.1. Preparazione dei materiali

5.2. Avvio della macchina per la granita

5.3. Regolazione della concentrazione della granita

5.4. Produzione della granita

5.5. Situazione di emergenza

6. Pulizia e manutenzione

6.1. Svuotare

la ciotola

6.2. Smontare le parti della maniglia

6.3. Rimuovere la ciotola e il coperchio

6.4. Smontare la maniglia di spinta

6.5. Lavare e disinfettare i componenti

6.6. Rimontare le parti pulite

6.7. Ciclo di risciacquo

6.8. Pulire la scatola dell'acqua

6.9. Coperchio della lampada

6.10. Sostituzione

della lampada

6.11. Manutenzione regolare

7. Schema elettrico

1. Descrizione del prodotto

1.1. Utilizzo del prodotto

Questa macchina è adatta per la preparazione di granite e bevande fredde e il funzionamento di questa macchina per granite deve essere conforme alle norme vigenti.

1.2. Parti principali

I componenti principali della macchina sono:

segue:

1. Coperchio della ciotola

2. Ciotola

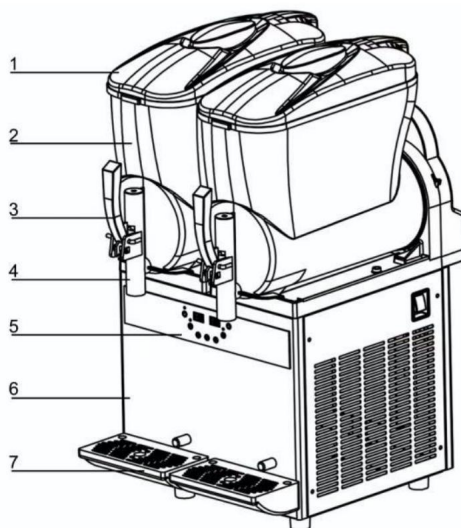
3. Chiave di scarico.

Porta di scarico 5.

Pannello di controllo

6. Telaio 7.

Vaschetta dell'acqua



1.3. Parametri tecnici

Modello: vedere la targhetta

Dimensioni: vedere la targhetta

Potenza massima in uscita (watt): vedere la targhetta

Tensione di esercizio (volt): vedere la targhetta sul lato della macchina

Intervallo di temperatura ambiente di funzionamento: da 5 gradi a 32 gradi

Numero di ciotole: 1/2/3

Capacità singola vasca (L): 12

Livello di pressione sonora: minimo 65 dB

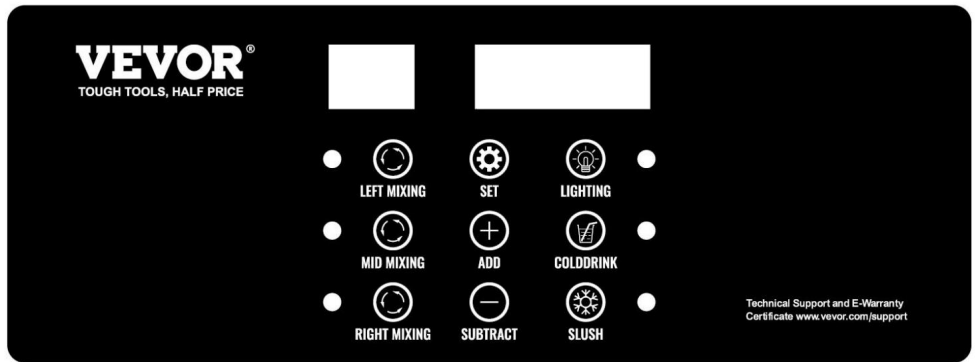
Grado: N

*
Suggerimento: la fabbrica si riserva il diritto di modificare la macchina senza preavviso.

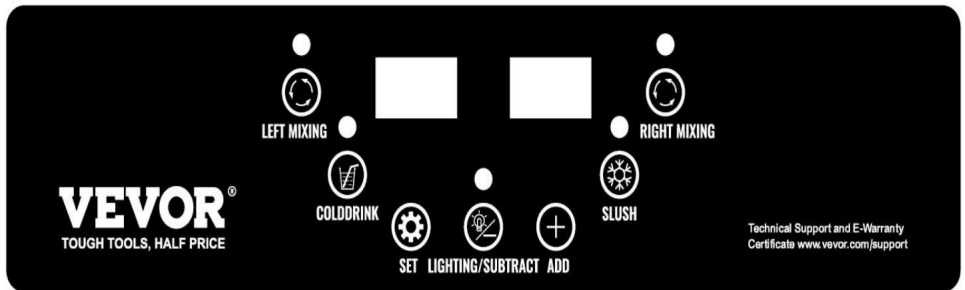
1.4 Descrizione e funzione del pannello di controllo

1.4.1 Diagramma del pannello:

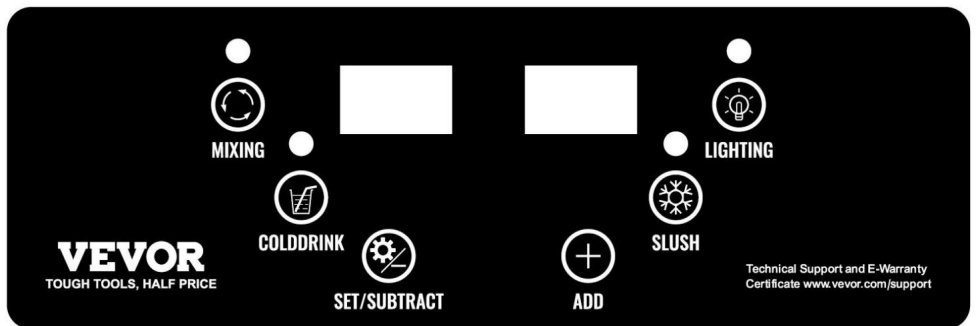
MODELLO: XN360B



MODELLO: XN240B



MODELLO: XN120B



Codice modello	Fabbrica	Collocamento	Senso
XN120B	FIGURA 1	-2,0ÿ	Temperatura del fango
	Cd1	5,0ÿ	Temperatura della bevanda fredda
Modello XN240B	FIGURA 1	-2,0ÿ	Temperatura del ghiaccio tritato per la ciotola sinistra
	SL2	-2,0ÿ	Temperatura del ghiaccio per la ciotola giusta
	Cd1	5,0ÿ	Temperatura della bevanda fredda per la ciotola sinistra
	Cd2	5,0ÿ	Temperatura della bevanda fredda per la ciotola destra
XN360B	S1	-2,0ÿ	Temperatura del ghiaccio tritato per la ciotola sinistra
	S2	-2,0ÿ	Temperatura della granita per la ciotola centrale
	S3	-2,0ÿ	Temperatura del ghiaccio tritato per la ciotola destra
	C1	5,0ÿ	Temperatura della bevanda fredda per la ciotola sinistra
	C2	5,0ÿ	Temperatura della bevanda fredda per la ciotola centrale
	C3	5,0ÿ	Temperatura della bevanda fredda per la ciotola giusta

Codice	Impostazione di fabbrica	Senso
P00	0,2 (gradi)	Differenza di temperatura di ritorno del fango valore
P01	0 (Gradi)	La temperatura massima di impostazione
P02	-15.0 (Gradi)	La temperatura minima di impostazione
P03	10 (Minuti)	Tempo di protezione della stampa
P04	110V:85(V) 220V:185(V)	Valore di protezione a bassa tensione
P05	1 (0: Disabilita 1: Abilitare)	Protezione della tensione abilitata
P06	0,0	# 1 correzione della temperatura della ciotola
P07	0,0	# 2 correzione della temperatura della ciotola
P08	0,0	# 3 correzione della temperatura della ciotola
P09	2.0 (Gradi)	Differenza di ritorno della temperatura della bevanda fredda valore

1.4.2 Introduzione di funzione e insieme

(Modello: XN120B)

1. Premere il tasto "Miscelazione", accendere la funzione di miscelazione, la luce di miscelazione è accesa. Premere Tasto "Miscelazione" nuovamente per disattivare la funzione di miscelazione.
2. Premere il tasto "Bibita fredda" (la funzione di miscelazione deve essere attivata, altrimenti il tasto bevanda fredda non funziona), accendere la funzione bevanda fredda e fredda la spia della bevanda è accesa (il compressore è acceso) o la spia della bevanda fredda lampeggia (il compressore è spento), quindi premere nuovamente il tasto "Cold Drink" per chiudere la funzione bevanda fredda.
3. Premere il tasto "Slush" (la funzione di miscelazione deve essere attivata, altrimenti il tasto Slush non funziona) per aprire la funzione Slush e la spia Slush è accesa (il compressore è acceso) o la spia della granita lampeggia (il compressore è acceso) spento), quindi premere nuovamente il tasto "Slush" per chiudere la funzione slush.
4. Premere il tasto "Illuminazione" per accendere la luce, quindi premere nuovamente il tasto "Illuminazione" per spegnere la luce.
5. Premere il tasto "Set", entrare nello stato di impostazione dei parametri utente. A questo punto, premere il tasto "Set" per modificare l'oggetto di impostazione, premere il tasto "Subtract(-)" e il tasto "Aggiungi(+)" per modificare il valore. Dopo 5 secondi senza operare il tasto, il sistema uscirà e salverà automaticamente il valore impostato.
6. Tenere premuti contemporaneamente i tasti "Sottrai(-)" e "Aggiungi(+)" per 5 secondi per entrare nella modalità di impostazione dei parametri di fabbrica, premere il tasto "Illuminazione" per cambiare l'oggetto, premere il tasto "Sottrai(-)" e il tasto "Aggiungi(+)" per cambiare il valore. Il sistema uscirà e salverà i parametri automaticamente dopo 5 secondi senza alcuna pressione dei tasti.

(Modello: XN240B)

1. Premere il tasto "Miscelazione sinistra", attivare la funzione di miscelazione sinistra, la luce di miscelazione sinistra si accende. Premere nuovamente il tasto "Mixing sinistro" per disattivare la funzione di miscelazione sinistra.
2. Premere il tasto "Right Mixing", accendere la funzione di miscelazione destra, la luce di miscelazione destra è acceso. Premere nuovamente il tasto "Right Mixing" per disattivare la funzione di miscelazione destra.
3. Premere il tasto "Bevanda fredda" (è necessario attivare la funzione di miscelazione, altrimenti il tasto Bevanda fredda non funziona), accendere la funzione bevanda fredda e la spia della bevanda fredda si accende (il compressore è acceso) o la spia della bevanda fredda

lampeggia (il compressore è spento), quindi premere nuovamente il tasto "Bibita fredda" per chiudere la funzione bevanda fredda.

4. Premere il tasto "Slush" (è necessario che la funzione Mixing sia attivata, altrimenti il tasto Slush non funziona) per aprire la funzione slush e la spia slush è accesa acceso (il compressore è acceso) o la spia della granita lampeggia (il compressore è spento), quindi premere nuovamente il tasto "Slush" per chiudere la funzione slush.

5. Premere il tasto "Illuminazione" per accendere la luce, quindi premere nuovamente il tasto "Illuminazione" per spegnere la luce.

6. Premere il tasto "Set", entrare nello stato di impostazione dei parametri utente. A questo punto, premere il tasto "Set" per modificare l'oggetto di impostazione, premere il tasto "Subtract(-)" e Tasto "Add(+)" per modificare il valore. Dopo 5 secondi senza azionare il tasto, il sistema uscirà e salverà automaticamente il valore impostato.

7. Tenere premuti contemporaneamente i tasti "Set" e "Add(+)" per 5 secondi per accedere alla modalità di impostazione dei parametri di fabbrica, premere il tasto "Set" per modificare l'oggetto, premere il tasto "Sottrai(-)" e il tasto "Aggiungi(+)" per modificare il valore.

Il sistema uscirà e salverà automaticamente i parametri dopo 5 secondi senza alcuna operazione di tasti.

(Modello: XN360B)

1. Premere il tasto "Miscelazione sinistra", attivare la funzione di miscelazione sinistra, la luce di miscelazione sinistra si accende. Premere nuovamente il tasto "Mixing sinistro" per disattivare la funzione di miscelazione sinistra.

2. Premere il tasto "Mid Mixing", attivare la funzione di miscelazione intermedia, la spia di miscelazione intermedia è accesa acceso. Premere nuovamente il tasto "Mid Mixing" per disattivare la funzione di mid mixing.

3. Premere il tasto "Right Mixing", accendere la funzione di miscelazione destra, la luce di miscelazione destra è accesa. Premere nuovamente il tasto "Right Mixing" per disattivare la funzione di miscelazione destra.

4. Premere il tasto "Bevanda fredda" (è necessario attivare la funzione di miscelazione, altrimenti il tasto Bevanda fredda non funziona), accendere la funzione bevanda fredda e la spia della bevanda fredda si accende (il compressore è acceso) o la spia della bevanda fredda lampeggia (il compressore è spento), quindi premere nuovamente il tasto "Cold Drink" per chiudere la funzione bevanda fredda.

5. Premere il tasto "Slush" (è necessario che la funzione Mixing sia attivata, altrimenti il tasto Slush non funziona) per aprire la funzione slush e la spia slush è accesa acceso (il compressore è acceso) o la spia della granita lampeggia (il compressore è

spento), quindi premere nuovamente il tasto Slush per chiudere la funzione Slush.

6. Premere il tasto "Illuminazione" per accendere la luce, quindi premere nuovamente il tasto "Illuminazione" per spegnere la luce.

7. Premere il tasto "Set", entrare nello stato di impostazione dei parametri utente. A questo punto, premere il tasto "Set" per modificare l'oggetto di impostazione, premere il tasto "Subtract(-)" e il tasto "Aggiungi(+)" per modificare il valore. Dopo 5 secondi senza operare il tasto, il sistema uscirà e salverà automaticamente il valore impostato.

8. Tenere premuti contemporaneamente i tasti "Sottrai(-)" e "Aggiungi(+)" per 5 secondi tempo per entrare nella modalità di impostazione dei parametri di fabbrica, premere il tasto "Set" per cambiare l'oggetto, premere il tasto "Sottrai(-)" e il tasto "Aggiungi(+)" per cambiare l'oggetto valore. Il sistema uscirà e salverà i parametri automaticamente dopo 5 secondi senza alcuna pressione dei tasti.

Nota: se la macchina funziona bene, non modificare le impostazioni di fabbrica.

1.4.3 Descrizione del codice di allarme

1) "- -": viene emesso l'allarme ciotola congelata e il compressore e il motore si fermano funzionante e riprende automaticamente dopo 10 minuti.

2)"RH": allarme malfunzionamento sensore temperatura. Arresto raffreddamento in bevanda fredda stato della funzione senza influenzare la funzione slush.

3)"LLL": allarme bassa tensione, l'intera macchina si ferma. Spegnere l'alimentazione e controllare l'alimentazione. Riavviare la macchina dopo che la tensione è stabile. Se visualizza frequentemente "LLL". Ti consigliamo di collegare uno stabilizzatore di tensione.

2. Sicurezza

2.1 Norme generali di sicurezza

1. Leggere attentamente l'intero manuale

2. Il cavo di alimentazione deve essere conforme agli standard di sicurezza locali

3. Il cavo di alimentazione e la dimensione della spina devono essere conformi alle parametri sulla targhetta della macchina, correttamente messa a terra e accoppiata con interruttori e interruttori automatici applicabili. Non azionare mai la macchina vicino a oggetti infiammabili o esplosivi. •

Nessuna modifica tecnica alla macchina.

- Si prega di non spruzzare il risciacquo della macchina
- Assicurarsi di seguire le istruzioni per utilizzare la macchina. • Si prega di non montare la macchina su altri dispositivi.
- Si prega di non lavare con benzene o altre sostanze disciolte.
- Non ostruire mai le prese d'aria sui lati della macchina.

Prima di pulire la macchina, assicurarsi che la macchina sia stata scollegato dalla corrente.

La macchina deve essere riparata dal nostro centro di assistenza o da un tecnico qualificato tecnico.

*** I danni dovuti a un funzionamento improprio annulleranno la nostra garanzia e l' La fabbrica non sarà responsabile per lesioni personali o danni alla proprietà danno.**

2.2. Funzione di arresto

Spegnere l'interruttore principale per arrestare la macchina.

3. Funzionamento e stoccaggio

Tutte le operazioni descritte nel Capitolo 4 devono essere eseguite da personale qualificato addetto al trasporto/manipolazione di prodotti confezionati o sfusi.

Assicurarsi di utilizzare l'attrezzatura appropriata in base alla natura e al peso della merce, nonché delle disposizioni pertinenti delle normative locali.

3.1 Imballaggio

La merce da spedire dovrà essere imballata e fissata con schiuma all'interno e scatole di cartone o di legno all'esterno.

3.2. Trasporto e movimentazione

In caso di lavori fisicamente necessari, questi devono essere completati entro almeno due persone.

- 1) La macchina deve rimanere sollevata durante lo spostamento.
- 2) Prestare attenzione all'imballaggio e alle parti sporgenti.

3.3. Conservazione

La macchina deve essere pulita e disinfettata prima di essere messa in funzione. magazzino.

Se la macchina deve rimanere inattiva per un lungo periodo, è necessario adottare misure di protezione. preso per il suo luogo di collocazione e il tempo di conservazione:

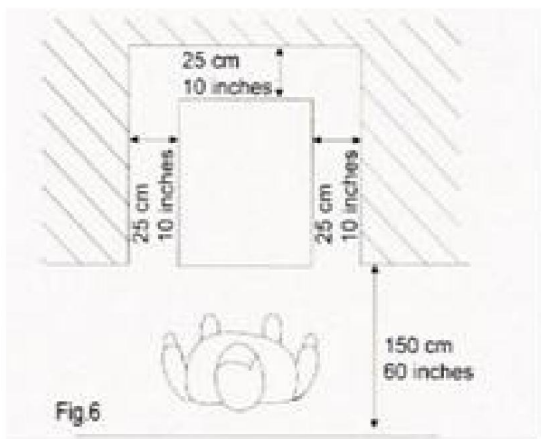
- 1) La macchina deve essere posizionata in uno spazio chiuso.
- 2) Evitare che la macchina venga colpita o schiacciata.
- 3) La macchina deve essere posizionata in un luogo fresco e asciutto, non esposto a umidità e alte temperature.
- 4) Tenere la macchina lontana da sostanze corrosive.

4. Installazione

La macchina deve essere installata in un locale luminoso, ben ventilato e con un pavimento solido.

4.1 Posizione di montaggio

1. Il pavimento su cui verrà montata la macchina deve essere solido e piano.
2. Lo spazio deve essere luminoso, ben ventilato e pulito.
3. Deve essere fornita una distanza sufficiente per facilitare l'operazione senza restrizioni così come per l'uso di emergenza. *SUGGERIMENTO: lasciare 25 cm (10 pollici) di spazio libero sulla parte superiore della ciotola.



* Prima di utilizzare la macchina per la prima volta, è necessario pulire tutte le parti e maneggiare con cura le parti a contatto con la granita;

per maggiori dettagli, leggere la sezione pertinente.

4.2. Collegamento elettrico

Assicurarsi che l'interruttore principale sia su "0" prima

ti colleghi.

Attenzione: la presa di corrente deve essere sistemata in un luogo facilmente accessibile dall'utente.

5. Funzionamento

5.1. Preparazione del materiale

Versare il materiale nella ciotola quando la macchina è spenta e non alimentata elettricamente.

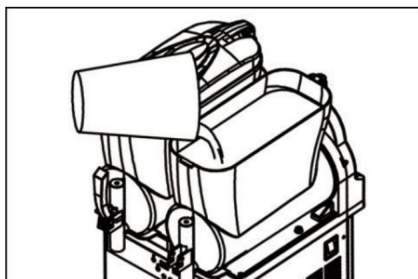
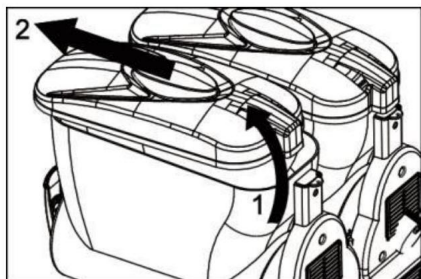
Attenzione: il contenuto minimo di zucchero non deve essere inferiore al 13%, in quanto concentrazione può danneggiare la macchina.

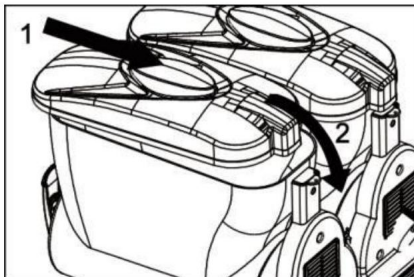
Togliere il coperchio dalla ciotola seguendo le seguenti istruzioni:

1. Sollevare la parte posteriore del coperchio.
2. Rimuovere il coperchio dal fermo anteriore.
3. Dopo aver aggiunto il materiale alla ciotola, il coperchio sulla ciotola deve essere messo Indietro.

Avvertimento:

- 1) Si prega di non forzare l'apertura del coperchio.
- 2) Non aggiungere mai liquidi a temperatura superiore a 25 gradi Celsius.
- 3) Quando si alimenta la ciotola, fare attenzione a non superare il limite massimo e deve superare l'albero del miscelatore.
- 4) Si prega di non accendere la macchina quando il coperchio non è in posizione. Si prega di spegnere la macchina e staccare la spina prima di togliere il coperchio.
- 5) Spegner e scollegare la macchina prima di rimuovere qualsiasi parte da la ciotola





5.2. Avviamento della macchina per il ghiaccio tritato

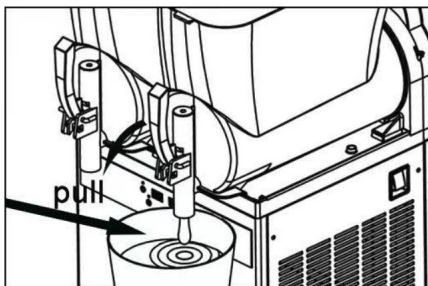
Fare riferimento a 1.4. Descrizione e funzione del pannello di controllo.

5.3. Regolazione della concentrazione del fango

Fare riferimento a 1.4.2 per impostare i parametri; la posizione più grande corrisponde a fanghiglia più densa.

5.4. Produzione di granita

Tirare la maniglia per ottenere la granita.



Se la macchina non deve essere utilizzata in modo continuativo, si consiglia di effettuare le seguenti operazioni: obbligatorio nel caso di prodotti lattiero-caseari:

- 1) Spruzzare acqua sul rubinetto e sulla zona circostante.
(Utilizzare contemporaneamente un panno pulito per disinfettare).
- 2) Prima di preparare il ghiaccio tritato per il cliente, utilizzare una piccola quantità di prodotto da provare per primo.

5.5 Situazioni di emergenza

- 1) In caso di estrema emergenza, impostare l'interruttore principale su "0" per spegnere la macchina.

2) Se la macchina è bloccata, spegnerla e contattare l'assistenza centro o un tecnico professionista.

6. Pulizia e manutenzione

Prima di qualsiasi pulizia e manutenzione dei componenti esterni dell' macchina, assicurarsi che l'interruttore principale sia posizionato su "0" e che la macchina non è collegata.

Per la pulizia e la manutenzione, seguire le seguenti istruzioni:

1. Indossare guanti protettivi.
2. Non utilizzare mai materiali solubili ed esplosivi.
3. Quando la macchina è accesa e l'interruttore principale è in posizione "1", la pulizia è vietata.

6.1 Svuotare la ciotola

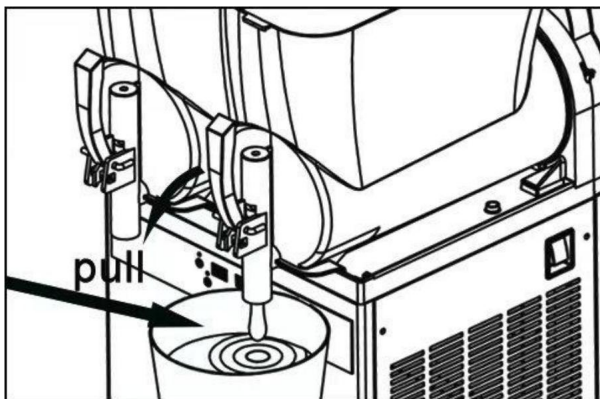
Prima di pulire la ciotola, rimuovere prima tutti i residui precedentemente preparati materiale.

6.2. Smontare le parti della maniglia

Si prega di non smontare la maniglia della macchina se c'è materiale o altro liquido nella ciotola.

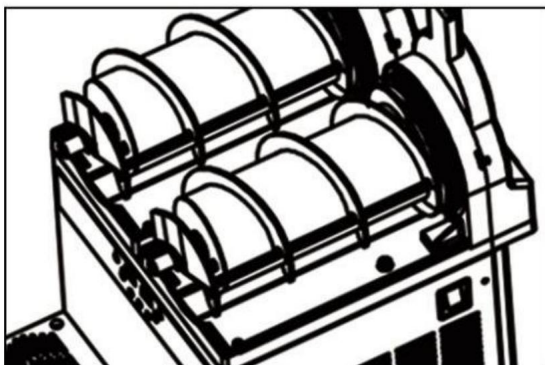
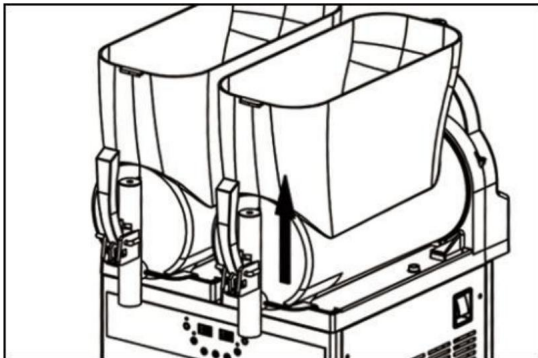
6.3 Rimuovere la ciotola e il coperchio

Rimuovere ciascuna ciotola per assicurarsi che la macchina sia pulita e in ordine.



Rimuovere la ciotola come segue:

1. Rimuovere il coperchio come mostrato in figura.
2. Sollevare la parte anteriore della ciotola per allentarla.
3. Spingere delicatamente e ruotare la parte posteriore per rimuovere la ciotola.
4. Estrarre l'albero del miscelatore e rimuovere l'anello di tenuta.



6.4 Smontare la maniglia di spinta

1. Posizionare la ciotola su una superficie liscia per facilitare la rimozione del rubinetto. Tirare la "U" verso di sé e spingere il rubinetto con l'altra mano.
 2. Sbloccare la molla, tenerla premuta, spingere orizzontalmente e infine rilasciarla.
 3. Svitare la barra dal rubinetto.
 4. Tenere premute le due flange di gomma e separare la gomma rossa da esse.
- Tutte le parti devono essere lavate con acqua calda e sapone e completamente asciugate all'aria prima in fase di riassettaggio.

6.5. Lavare e disinfettare i componenti

Tutte le parti precedentemente rimosse devono essere accuratamente pulite e disinfettate.

Nota importante: le procedure di disinfezione devono essere conformi alla macchina linee guida operative.

Per garantire una corretta disinfezione, seguire le istruzioni riportate di seguito:

1. Versare la soluzione antisettica nel contenitore (soluzione di sodio al 2%) ipoclorito mescolato con acqua).
2. Lavare accuratamente la ciotola, il coperchio e l'evaporatore con una spugna imbevuta.
3. Pulire accuratamente con acqua.
4. Versare il disinfettante in un altro contenitore.
5. Immergere le parti smontate nel disinfettante.
6. Immergere le parti nel disinfettante per 30 minuti.
7. Lavare nuovamente abbondantemente con acqua.
8. Lasciare asciugare le parti all'aria in un luogo pulito.
9. Rimontare come descritto nella sezione 6.5.
10. Sciacquare abbondantemente con acqua prima di utilizzare la macchina.

Attenzione: non immergere il coperchio con la lampada in alcuna soluzione. Prima pulizia e disinfezione del coperchio, rimuovere il coperchio come descritto nella sezione precedente. Per pulire correttamente il coperchio della lampada, questi passaggi devono essere seguiti:

1. Pulire la parte inferiore del coperchio (la parte a contatto con la macchina) con un panno pulito e umido.
 2. Pulire l'esterno della macchina con un panno pulito e umido.
 3. Utilizzare una spugna imbevuta di disinfettante per disinfettare la parte inferiore del coperchio. Assicuratevi di non bagnare il contatto del coperchio con la macchina.
 4. Lasciare agire per 30 minuti.
 5. Risciacquare due o più volte. Solo la parte inferiore del coperchio deve essere pulita con spugna con acqua pulita.
 6. Metti il coperchio su una superficie piana e pulita per farlo asciugare. Per prima cosa, asciuga il fondo e pulisci le parti esterne con un panno pulito.
 7. Dopo aver pulito e disinfettato la ciotola, rimettere il coperchio.
- Non pulire mai la macchina quando il coperchio è installato.

6.6 Rimontare le parti pulite

Tutti i componenti puliti e disinfettati devono essere reinstallati con cura e

i componenti devono essere completamente lubrificati affinché la macchina funzioni meglio

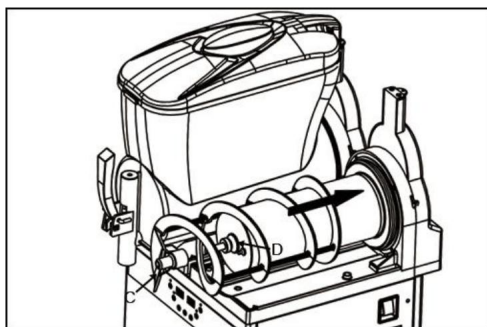
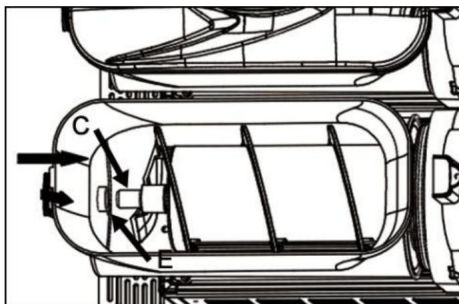
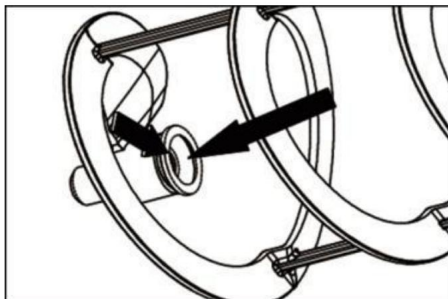
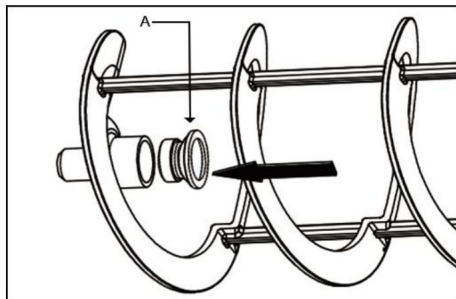
in modo efficiente.

Pulire separatamente il vassoio e la griglia con acqua calda.

Asciugare tutte le parti.

Riposizionare la griglia sul vassoio.

Installare l'anello di tenuta dell'albero del miscelatore come mostrato in figura.



Nota importante: controllare sempre l'integrità dell'anello di tenuta. Se l'anello di tenuta è rotto, dovrebbe essere sostituito con uno nuovo.

Utilizzare la vaselina in dotazione per lubrificare l'anello di tenuta nella zona illustrata.

Installare l'albero del miscelatore come mostrato; installare la testa dell'albero del miscelatore (C) per l'albero (D).

Suggerimenti: ruotalo nella prima metà della ciotola e spingi la ciotola verso l'alto posizione designata a contatto con l'anello di tenuta (B).

1) Allineare la testa dell'albero del mixer con l'interfaccia all'interno della ciotola, premere nella tazza e seguire le istruzioni riportate di seguito per reinstallare il rubinetto.

2) Lubrificare bene i giunti con la vaselina in dotazione.

3) Posizionare il pistone nella posizione designata e spingere la maniglia finché non si collega il rubinetto.

6.7 Ciclo di risciacquo

Prima di avviare la macchina, è necessario pulirla circolarmente.

Procedere come segue:

1. Riempi la ciotola con acqua.
2. Lasciare che la macchina agiti per 5 minuti.
3. Spegnerla la macchina e aprire il rubinetto per svuotare l'acqua presente nella ciotola.

6.8 Pulire la scatola dell'acqua

Il contenitore dell'acqua deve essere svuotato e pulito regolarmente.

Sollevarlo il contenitore dell'acqua con il coperchio e poi estrarlo.

6.9 Copertura della lampada

6.10 Sostituzione della lampada

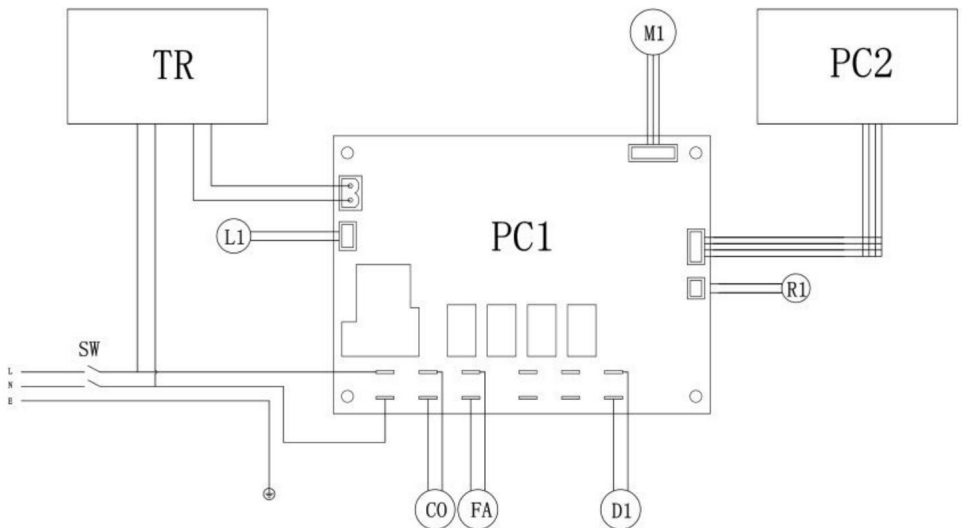
Quando si sostituisce la lampada, l'interruttore principale deve essere spento e l'alimentazione deve essere interrotta.

Togliere il cappuccio protettivo e svitare le viti del coperchio; utilizzare un attrezzo idoneo cacciavite per azionare.

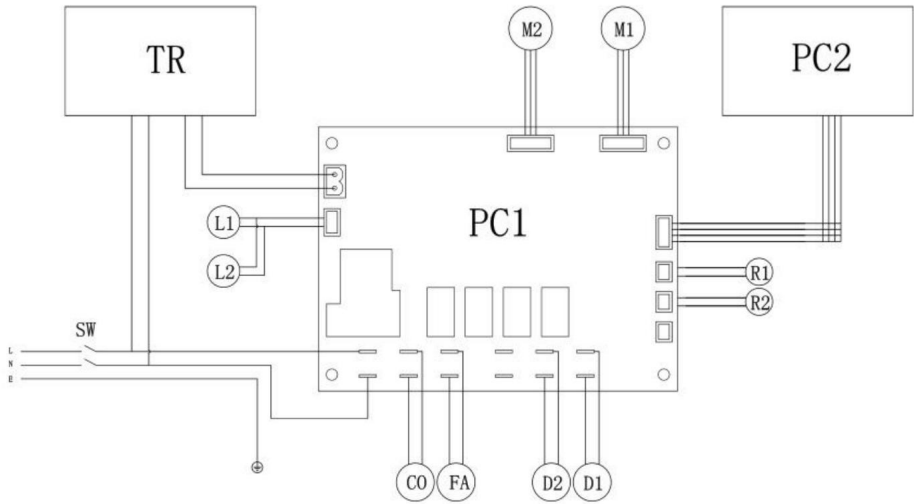
6.11 Manutenzione ordinaria

- 1) La macchina deve essere sottoposta a manutenzione regolare da parte di tecnici professionisti (almeno una volta all'anno).
- 2) Un'ispezione regolare può garantire che tutti i componenti siano installati correttamente e che la macchina possa funzionare in sicurezza.
- 3) Eventuali componenti danneggiati devono essere sostituiti con ricambi originali.

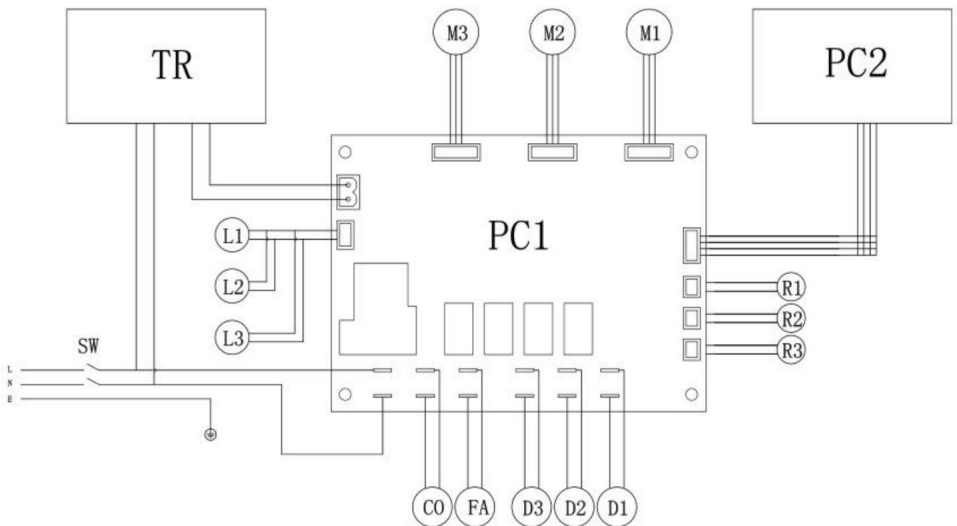
7. Schema elettrico



Scheda PC PCI-Vain, pannello display PC2, interruttore \$i, compressore 00, ventola FA, trasformatore 1R, agitatore ML, illuminazione LED LL, sensore di temperatura RL.



Scheda PCI-Main, pannello display p2, interruttore Sh, compressore 00, ventola FA, TR-TrasformatoreMI/1/1-%2-Agitatore Whotor, II/I2-ED Illuminazione, Sensore di temperatura R1/R2, elettrovalvola DI/02



Scheda PCI-Main, p2-DisplayPanel, SNSwitch, Coapressore C0, FA-Fan, TR-Transformer M1/1/M2/M3-Stirring noter, L1/L2/L3-LED Illuminazione.R1/R2/R3-Sensore di temperatura,DI/D2/03-Valvola solenoide

VEVOR®

TOUGH TOOLS, HALF PRICE

**Supporto tecnico e certificato di garanzia
elettronica www.vevor.com/support**

VEVOR®

TOUGH TOOLS, HALF PRICE

Soporte técnico y certificado de garantía electrónica www.vevor.com/support

MÁQUINA GRANIZADORA

MODELO: XN120B XN240B XN360B

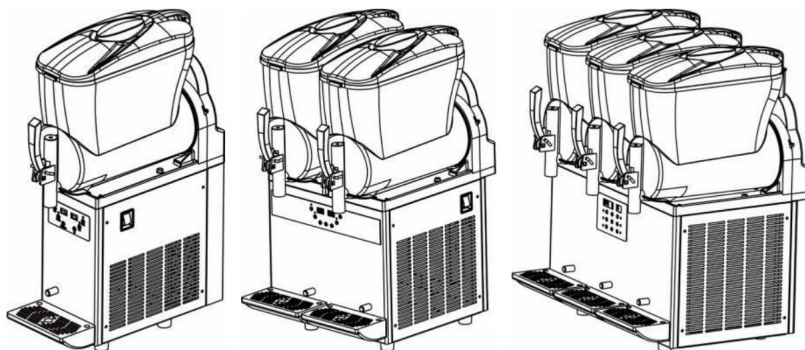
Seguimos comprometidos a brindarle herramientas a precios competitivos.

"Ahorre la mitad", "mitad de precio" o cualquier otra expresión similar que utilicemos solo representa una estimación del ahorro que podría obtener al comprar ciertas herramientas con nosotros en comparación con las principales marcas y no necesariamente significa que cubra todas las categorías de herramientas que ofrecemos. Le recordamos que, al realizar un pedido con nosotros, verifique cuidadosamente si realmente está ahorrando la mitad en comparación con las principales marcas.

VEVOR[®]
TOUGH TOOLS, HALF PRICE

MÁQUINA GRANIZADORA

MODELO: XN120B XN240B XN360B



¿NECESITA AYUDA? ¡CONTÁCTENOS!

¿Tiene preguntas sobre el producto? ¿Necesita asistencia técnica? No dude en ponerse en contacto con

nosotros: Asistencia técnica y certificado de garantía electrónica

www.vevor.com/support

Estas son las instrucciones originales, lea atentamente todas las instrucciones del manual antes de utilizar el producto. VEVOR se reserva una interpretación clara de nuestro manual de usuario. La apariencia del producto estará sujeta al producto que recibió.

Perdónenos por no informarle nuevamente si hay actualizaciones de tecnología o software en nuestro producto.



Advertencia: Para reducir el riesgo de lesiones, el usuario debe leer
Lea atentamente el manual de instrucciones.

PRECAUCIÓN: Los cambios o modificaciones no expresamente
aprobado por la parte responsable del cumplimiento podría anular
¡la autoridad del usuario para operar el equipo!

Este dispositivo cumple con la Parte 15 de las Normas de la FCC.

La operación está sujeta a las dos condiciones siguientes:

- 1) Este producto puede causar interferencias dañinas.
- 2) Este producto debe aceptar cualquier interferencia recibida,
incluyendo interferencias que puedan causar un funcionamiento no deseado.

ADVERTENCIA: Los cambios o modificaciones a este producto no
expresamente aprobado por la parte responsable del cumplimiento
Podría anular la autoridad del usuario para operar el producto.

Nota: Este producto ha sido probado y cumple con las normas

los límites para un dispositivo digital de Clase B de conformidad con la Parte 15 de
las reglas de la FCC, estos límites están diseñados para proporcionar
protección razonable contra interferencias perjudiciales en un
Instalación residencial.

Este producto genera, utiliza y puede radiar radio
energía de frecuencia, y si no se instala y utiliza en

De acuerdo con las instrucciones, puede causar daños.

interferencias a las comunicaciones por radio. Sin embargo, no hay

garantizar que no se produzcan interferencias en un determinado

Instalación. Si este producto causa interferencias dañinas a

recepción de radio o televisión, que puede determinarse por

Al apagar y encender el producto, se recomienda al usuario que lo intente.

para corregir la interferencia mediante uno o más de los siguientes
medidas.

- Reoriente o reubique la antena receptora.
- Aumente la
distancia entre el producto y el receptor.
- Conecte el producto a una toma de
corriente en un circuito diferente

Aquello a lo que está conectado el receptor.




	<ul style="list-style-type: none">• Consulte al distribuidor o a un técnico de radio/TV experimentado para obtener ayuda.
	<p>Este producto está sujeto a las disposiciones de la Directiva Europea 2012/19/CE. El símbolo que muestra un contenedor de basura tachado indica que el producto requiere una recogida selectiva de residuos en la Unión Europea. Esto se aplica al producto y a todos los accesorios marcados con este símbolo. Los productos marcados como tales no pueden desecharse con los residuos domésticos normales, sino que deben llevarse a un punto de recogida para reciclar dispositivos eléctricos y electrónicos.</p>

Tabla de contenido

1. Descripción del producto 1.1.

Uso del producto

1.2. Partes principales

1.3. Parámetros técnicos

1.4. Descripción y función del panel de control

2. Seguridad

2.1. Normas de

seguridad 2.2. Función de parada

3. Operación y almacenamiento 3.1.

Embalaje 3.2.

Transporte y operación 3.3.

Almacenamiento

4. Instalación

4.1. Ubicación de montaje

4.2. Conexión de alimentación

5. Operación 5.1.

Preparación de materiales 5.2

Puesta en marcha de la máquina de

granizados 5.3. Ajuste de la concentración de

granizados 5.4. Producción de granizados

5.5 Situación de emergencia

6. Limpieza y mantenimiento 6.1. Vaciado

del recipiente 6.2.

Desmontaje de las piezas del mango

6.3. Retire el recipiente y la tapa

6.4. Desmontaje del mango de empuje

6.5. Lavado y desinfección de los componentes 6.6.

Reensamblaje de las piezas limpiadas 6.7. Ciclo

de enjuague 6.8.

Limpieza del depósito de agua 6.9.

Tapa de la lámpara

6.10. Reemplazo de la lámpara

6.11. Mantenimiento regular

7. Diagrama de cableado

1. Descripción del producto

1.1 Uso del producto Esta

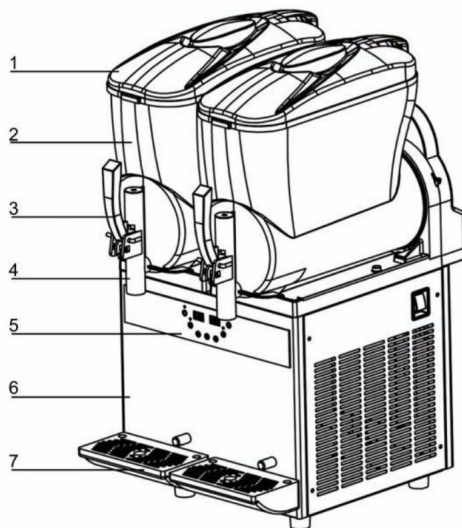
máquina es adecuada para preparar granizados y bebidas frías, y el funcionamiento de esta máquina de granizados debe cumplir con las normas actuales.

1.2. Partes principales

Los componentes principales de la máquina son los siguientes:

Sigue:

1. Tapa del recipiente
2. Cuenco
3. Llave de descarga 4.
- Puerto de descarga 5.
- Panel de control
6. Chasis 7.
- Bandeja de agua



1.3. Parámetros técnicos

Modelo: consulte la placa de identificación

Tamaño: consulte la placa de identificación

Potencia máxima de salida (vatios): consulte la placa de identificación

Voltaje de funcionamiento (voltios): consulte la placa de identificación en el costado de la máquina

Rango de temperatura ambiente de funcionamiento: de 5 grados a 32 grados

Número de tazón: 1/2/3

Capacidad de un solo recipiente (L): 12

Nivel de presión sonora: mínimo 65 dB

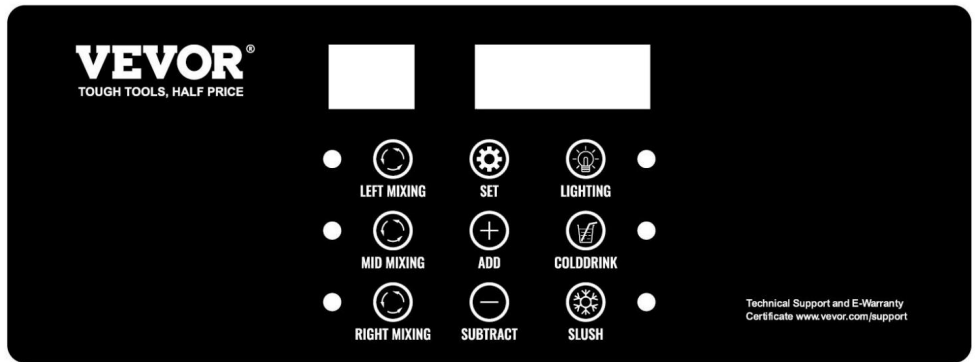
Grado: N

* Consejo: La fábrica se reserva el derecho de modificar la máquina sin previo aviso.

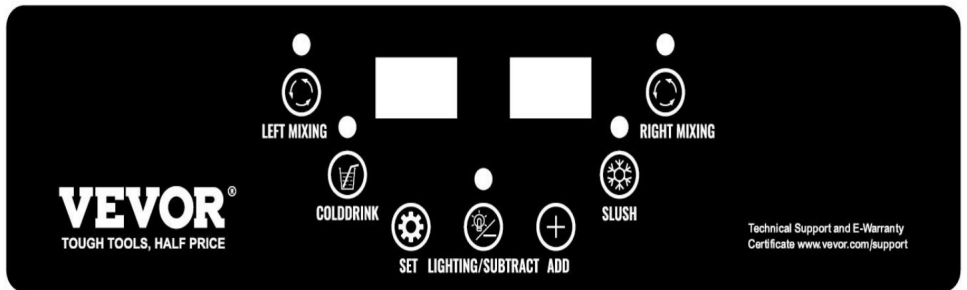
1.4 Descripción y función del panel de control 1.4.1 Diagrama

del panel:

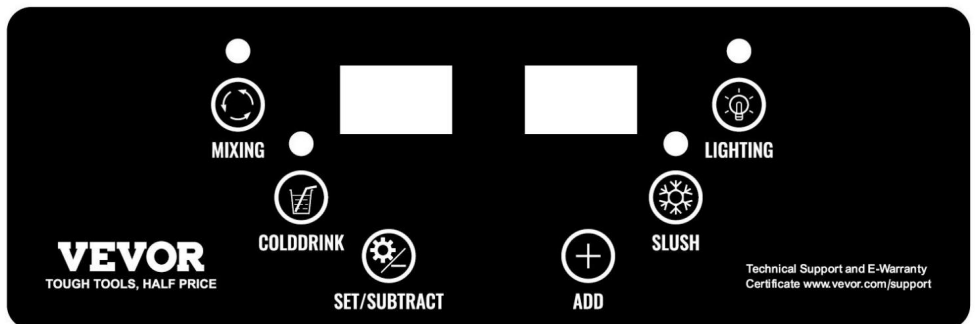
MODELO: XN360B



MODELO: XN240B



MODELO: XN120B



Código del modelo	Fábrica Configuración	Significado	
XN120B	figura 1	-2,0	Temperatura del aguanieve
	CD1	5,0	Temperatura de la bebida fría
XN240B	figura 1	-2,0	Temperatura del aguanieve para el recipiente izquierdo
	SL2	-2,0	Temperatura del aguanieve para un recipiente adecuado
	CD1	5,0	Temperatura de bebida fría para el recipiente izquierdo
	Cd2	5,0	Temperatura de bebida fría para el recipiente adecuado
XN360B	T1	-2,0	Temperatura del aguanieve para el recipiente izquierdo
	T2	-2,0	Temperatura del aguanieve para el recipiente intermedio
	T3	-2,0	Temperatura del aguanieve para el recipiente derecho
	C1	5,0	Temperatura de bebida fría para el recipiente izquierdo
	C2	5,0	Temperatura de bebida fría para el recipiente central
	C3	5,0	Temperatura de bebida fría para el recipiente adecuado

Código	Ajuste de fábrica	Significado
P00	0,2 (grados)	Diferencia de temperatura de retorno del aguanieve valor
P01	0 (Grados)	La temperatura máxima de ajuste
P02	-15.0 (Grados)	La temperatura mínima de ajuste
P03	10 (minutos)	Tiempo de protección de la prensa
P04	110 V: 85 V 220 V: 185 V	Valor de protección de bajo voltaje
P05	1 (0: Deshabilitar 1: Permitir)	Protección de voltaje habilitada
P06	0.0	Corrección de temperatura del recipiente n.º 1
P07	0.0	Corrección de temperatura del recipiente n.º 2
P08	0.0	Corrección de temperatura del recipiente n.º 3
P09	2.0 (Grados)	Diferencia de temperatura de retorno de la bebida fría valor

1.4.2 Introducción de función y conjunto

(Modelo: XN120B)

1. Presione la tecla "Mezclar", encienda la función de mezclar, la luz de mezcla se encenderá. Presione Presione nuevamente la tecla "Mezclar" para apagar la función de mezcla.
2. Presione la tecla "Bebida fría" (la función de mezcla debe estar activada, de lo contrario La tecla de bebida fría no funciona), encienda la función de bebida fría y fría La luz de bebida está encendida (el compresor está encendido) o la luz de bebida fría parpadea (el compresor está apagado), luego presione nuevamente la tecla "Bebida fría" para cerrar La función de bebida fría.
3. Pulse la tecla "Slush" (la función de mezcla debe estar activada, de lo contrario, La tecla Slush no funciona) para abrir la función Slush, y la luz Slush está encendida (el compresor está encendido) o la luz de aguanieve parpadea (el compresor está encendido) apagado), luego presione la tecla "Slush" nuevamente para cerrar la función Slush.
4. Presione la tecla "Iluminación" para encender la luz y luego presione la tecla "Iluminación" nuevamente para apagar la luz.
5. Pulse la tecla "Set" para entrar en el estado de configuración de parámetros del usuario. En este momento, pulse la tecla "Set" para cambiar el objeto de configuración, pulse la tecla "Subtract(-)" y la tecla "Agregar(+)" para cambiar el valor. Después de 5 segundos sin operar la tecla, el sistema saldrá y guardará el valor de configuración automáticamente.
6. Mantenga presionadas las teclas "Restar(-)" y "Agregar(+)" durante 5 segundos al mismo tiempo. Es hora de ingresar al modo de configuración de parámetros de fábrica, presione la tecla "Iluminación" Para cambiar el objeto, presione la tecla "Restar(-)" y la tecla "Agregar(+)" para cambiar El valor. El sistema saldrá y guardará los parámetros automáticamente después 5 segundos sin ninguna operación de teclas.

(Modelo: XN240B)

1. Presione la tecla "Mezcla izquierda", encienda la función de mezcla izquierda, la luz de mezcla izquierda se enciende. Presione nuevamente la tecla "Mezcla izquierda" para desactivar la función de mezcla izquierda.
2. Presione la tecla "Mezcla derecha", encienda la función de mezcla derecha, luz de mezcla derecha está encendido. Presione la tecla "Mezcla derecha" nuevamente para desactivar la función de mezcla derecha.
3. Presione la tecla "Bebida fría" (debe estar activada la función de mezcla, de lo contrario, la tecla Bebida fría no funciona), encienda la función de bebida fría y la luz de bebida fría se encenderá (el compresor está encendido) o la luz de bebida fría

parpadea (el compresor está apagado), luego presione nuevamente la tecla "Bebida fría" para cerrar la función de bebida fría.

4. Pulse la tecla "Slush" (debe estar activada la función de mezcla, de lo contrario

La tecla Slush no funciona) para abrir la función Slush y la luz Slush está encendida.

encendido (el compresor está encendido) o la luz de aguanieve parpadea (el compresor está encendido) apagado), luego presione la tecla "Slush" nuevamente para cerrar la función Slush.

5. Presione la tecla "Iluminación" para encender la luz y luego presione la tecla "Iluminación" nuevamente para apagar la luz.

6. Pulse la tecla "Set" para entrar en el estado de configuración de parámetros del usuario. En este momento, pulse la tecla "Establecer" para cambiar el objeto de configuración, presione la tecla "Restar (-)" y

Tecla "Agregar (+)" para cambiar el valor. Después de 5 segundos sin operar la tecla,

El sistema saldrá y guardará el valor de configuración automáticamente.

7. Mantenga presionada la tecla "Establecer" y la tecla "Agregar(+)" durante 5 segundos al mismo tiempo para

Ingrese al modo de configuración de parámetros de fábrica, presione la tecla "Set" para cambiar

el objeto, presione la tecla "Restar(-)" y la tecla "Agregar(+)" para cambiar el valor.

El sistema saldrá y guardará los parámetros automáticamente después de 5 segundos.

sin ninguna operación de teclas.

(Modelo: XN360B)

1. Presione la tecla "Mezcla izquierda", encienda la función de mezcla izquierda, la luz de mezcla izquierda se enciende.

Presione la tecla "Mezcla izquierda" nuevamente para desactivar la función de mezcla izquierda.

2. Presione la tecla "Mid Mixing", encienda la función de mezcla intermedia, la luz de mezcla intermedia se enciende.

encendido. Presione la tecla "Mid Mixing" nuevamente para apagar la función de mezcla intermedia.

3. Presione la tecla "Mezcla derecha", encienda la función de mezcla derecha, luz de mezcla derecha

está encendido. Presione la tecla "Mezcla derecha" nuevamente para desactivar la función de mezcla derecha.

4. Presione la tecla "Bebida fría" (debe estar activada una función de mezcla, de lo contrario, la tecla

Bebida fría no funciona), encienda la función de bebida fría y la luz de bebida fría se enciende (el compresor está encendido) o la luz de bebida fría

parpadea (el compresor está apagado), luego presione nuevamente la tecla "Bebida fría" para cerrar la función de bebida fría.

5. Pulse la tecla "Slush" (debe estar activada la función de mezcla, de lo contrario

La tecla Slush no funciona) para abrir la función Slush y la luz Slush está encendida.

encendido (el compresor está encendido) o la luz de aguanieve parpadea (el compresor está encendido)

apagado), luego presione la tecla Slush nuevamente para cerrar la función Slush.

6. Presione la tecla "Iluminación" para encender la luz y luego presione la tecla "Iluminación" nuevamente para apagar la luz.

7. Pulse la tecla "Set" para entrar en el estado de configuración de parámetros del usuario. En este momento, pulse la tecla "Set" para cambiar el objeto de configuración, pulse la tecla "Subtract(-)" y la tecla "Agregar(+)" para cambiar el valor. Después de 5 segundos sin operar la tecla, el sistema saldrá y guardará el valor de configuración automáticamente.

8. Mantenga presionadas las teclas "Restar(-)" y "Agregar(+)" durante 5 segundos al mismo tiempo. Es hora de ingresar al modo de configuración de parámetros de fábrica, presione la tecla "Set" para Para cambiar el objeto, presione la tecla "Restar(-)" y la tecla "Agregar(+)" para cambiar el objeto. valor. El sistema saldrá y guardará los parámetros automáticamente después de 5 segundos sin ninguna operación de teclas.

Aviso: cuando la máquina funcione bien, no cambie la configuración de fábrica.

1.4.3 Descripción del código de alarma

1) "- -": Se activa la alarma de recipiente congelado y el compresor y el motor se detendrán.

funcionando y se reanuda automáticamente después de 10 minutos.

2) "RH": alarma de mal funcionamiento del sensor de temperatura. Detiene el enfriamiento en bebidas frías estado de la función sin afectar la función slush.

3) "LLL": alarma de bajo voltaje, toda la máquina se detiene. Apague la alimentación.

y verifique la fuente de alimentación. Reinicie la máquina después de que el voltaje se estabilice. Si muestra "LLL" con frecuencia, le sugerimos que conecte un estabilizador de voltaje.

2. Seguridad

2.1 Normas generales de seguridad

1. Lea atentamente todo el manual.

2. El cable de alimentación debe cumplir con las normas de seguridad locales.

3. El cable de alimentación y el tamaño del enchufe deberán cumplir con las

parámetros en la placa de identificación de la máquina, debidamente conectados a tierra y acoplados con los interruptores y disyuntores correspondientes. Nunca opere la máquina cerca de objetos inflamables o explosivos. •

No realizar modificaciones técnicas en la máquina.

- No rocíe el enjuague de la máquina.
- Asegúrese de seguir las instrucciones para operar la máquina. • No monte la máquina en otros dispositivos.
- No lavar con benceno ni otras sustancias disueltas.
- Nunca bloquee las rejillas de ventilación en los laterales de la máquina.

Antes de limpiar la máquina, asegúrese de que la misma haya sido desconectado de la corriente.

La máquina debe ser reparada por nuestro centro de servicio o por un técnico capacitado. técnico.

*
Los daños debidos a un funcionamiento inadecuado anularán nuestra garantía y la La fábrica no será responsable de lesiones personales o materiales. daño.

2.2 Función de parada

Apague el interruptor principal para detener la máquina.

3. Operación y almacenamiento

Todas las operaciones descritas en el Capítulo 4 deben ser realizadas por profesionales.

Encargado de transportar/manipular productos envasados o no envasados.

Asegúrese de utilizar el equipo adecuado según la naturaleza y el peso.

de las mercancías, así como las estipulaciones pertinentes de las normativas locales.

3.1. Embalaje

La mercancía a enviar deberá ser embalada y fijada con espuma en el interior y cajas de cartón o madera en el exterior.

3.2 Transporte y manipulación

En caso de requerirse obras físicas, éstas deberán ser realizadas por lo menos en dos gente.

- 1) La máquina debe permanecer en posición vertical durante el movimiento.
- 2) Preste atención al embalaje y a las partes que sobresalen.

3.3. Almacenamiento

La máquina debe limpiarse y desinfectarse antes de colocarla en el depósito.

Si la máquina va a estar inactiva durante un largo tiempo, se deben tomar medidas de protección.

tomado para su ubicación de colocación y tiempo de almacenamiento:

- 1) La máquina deberá colocarse en un espacio cerrado.
- 2) Evite que la máquina sea golpeada o aplastada.
- 3) La máquina debe colocarse en un lugar fresco y seco, no expuesta a humedad y alta temperatura.
- 4) Mantenga la máquina alejada de sustancias corrosivas.

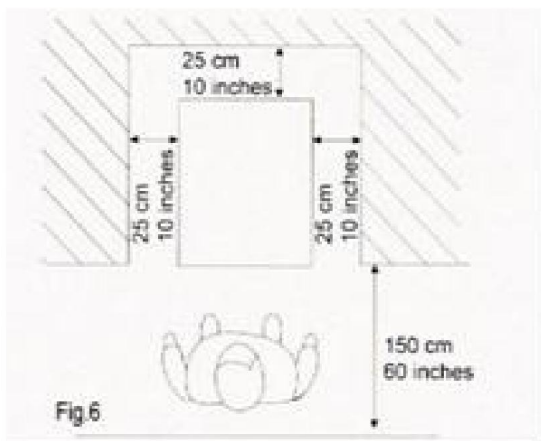
4. Instalación

La máquina debe instalarse en una habitación luminosa, bien ventilada y con un suelo duro.

Piso sólido.

4.1 Ubicación de montaje

1. El suelo donde se montará la máquina debe ser firme y plano.
2. El espacio debe ser luminoso, bien ventilado y limpio.
3. Se deberá dejar suficiente espacio libre para facilitar el funcionamiento sin restricciones, así como para uso de emergencia. *CONSEJO: Deje 25 cm (10 in) de espacio libre en la parte superior del cuenco.



* Antes de utilizar la máquina por primera vez, se deben limpiar todas las piezas y manipular con cuidado las partes que están en contacto con el granizado;

Para más detalles, lea la sección correspondiente.

4.2. Conexión de alimentación

Asegúrese de que el interruptor principal esté en "0" antes

Usted enchufa.

Advertencia: La toma de corriente debe estar situada en un lugar de fácil acceso.
por el usuario.

5. Operación

5.1. Preparación del material

Vierta el material en el recipiente cuando la máquina esté apagada y sin energía.

Advertencia: El contenido mínimo de azúcar no debe ser inferior al 13%, ya que es bajo.

La concentración puede dañar la máquina.

Retire la tapa del recipiente siguiendo las siguientes instrucciones:

1. Levante la parte trasera de la tapa.
2. Retire la tapa del retenedor frontal.
3. Después de agregar el material al recipiente, se debe colocar la tapa en el recipiente.
atrás.

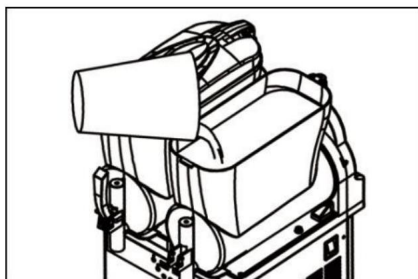
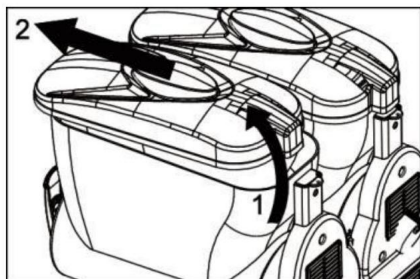
Advertencia:

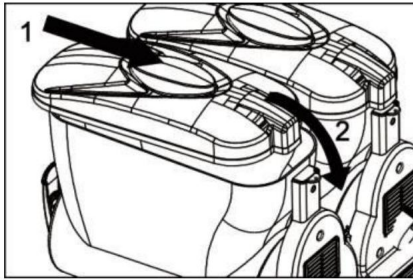
- 1) No abra la tapa a la fuerza.
- 2) Nunca agregue líquido a temperatura superior a 25 grados centígrados.
- 3) Al alimentar el recipiente, tenga cuidado de no exceder el límite máximo y
debe exceder el eje del mezclador.
- 4) No encienda la máquina cuando la tapa no esté colocada.

Apague y desenchufe la máquina antes de quitar la tapa.

- 5) Apague y desenchufe la máquina antes de retirar cualquier pieza.

El cuenco





5.2. Puesta en marcha de la máquina de granizados

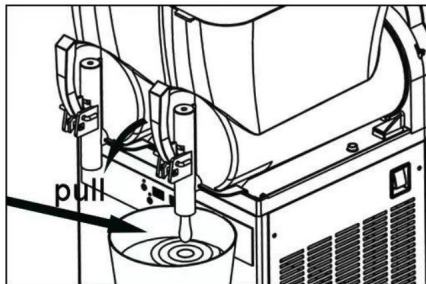
Consulte 1.4. Descripción y función del panel de control.

5.3. Ajuste de la concentración de aguanieve

Consulte 1.4.2 para configurar parámetros; la posición más grande corresponde a aguanieve más espesa

5.4. Producción de aguanieve

Tire de la manija para producir el granizado.



Si la máquina no se va a utilizar de forma continua, se deben realizar las siguientes operaciones: requerido en caso de productos lácteos:

- 1) Rocíe agua sobre el grifo y el área circundante.
(Utilice un paño limpio para limpiar y desinfectar al mismo tiempo).
- 2) Antes de preparar granizado para el cliente, utilice una pequeña cantidad de Producto para probar primero.

5.5 Situaciones de emergencia

- 1) En casos de emergencia extrema, coloque el interruptor principal en "0" para apagar el máquina.

2) Si la máquina está atascada, apáguela y comuníquese con el servicio técnico. centro o un técnico profesional.

6. Limpieza y mantenimiento

Antes de cualquier limpieza y mantenimiento de los componentes externos del máquina, asegúrese de que el interruptor principal esté ubicado en la posición "0" y La máquina no está enchufada.

Para la limpieza y el mantenimiento, siga estas instrucciones:

1. Póngase guantes protectores.
2. Nunca utilice materiales solubles y explosivos.
3. Cuando la máquina esté encendida y el interruptor principal en la posición "1", está prohibida la limpieza.

6.1 Vaciar el recipiente

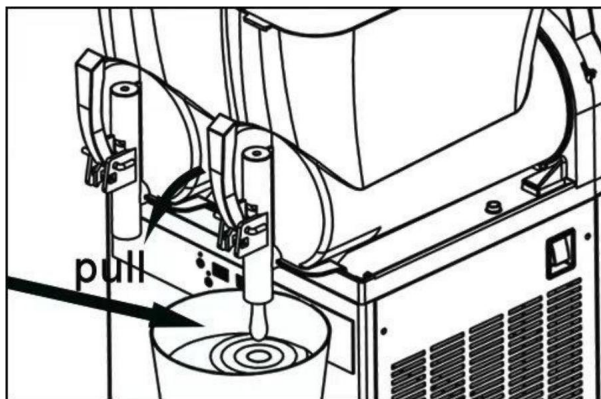
Antes de limpiar el recipiente, retire primero todos los residuos previamente preparados. material.

6.2. Desmontaje de las piezas del mango

No desmonte el mango de la máquina si hay material o otro líquido en el recipiente.

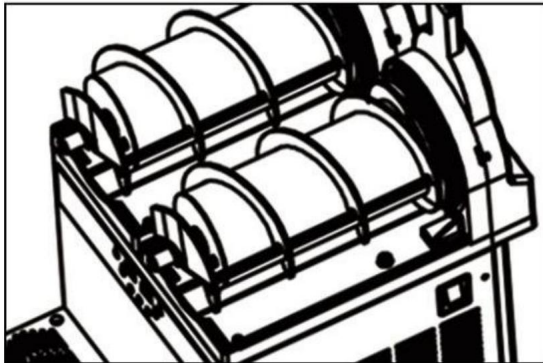
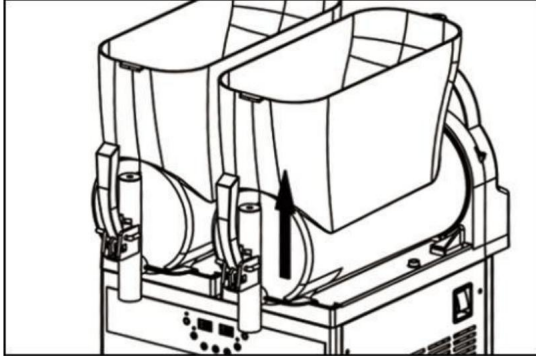
6.3 Retire el recipiente y la tapa

Retire cada recipiente para asegurarse de que la máquina esté limpia y ordenada.



Retire el recipiente de la siguiente manera:

1. Retire la tapa como se muestra en la figura.
2. Levante la parte delantera del recipiente para aflojarlo.
3. Empuje suavemente y gire la parte posterior para retirar el recipiente.
4. Retire el eje del mezclador y quite el anillo de sello.



6.4 Desmontar el mango de empuje

1. Coloque el recipiente sobre una superficie lisa para facilitar la extracción del grifo. Tire de la "U" hacia usted y empuje el grifo con la otra mano.
2. Desbloquee el resorte, manténgalo hacia abajo, empújelo horizontalmente y finalmente suéltelo.
3. Desenrosque la barra del grifo.
4. Mantenga presionadas las dos bridas de goma y separe la goma roja de ellas.

Todas las piezas deben lavarse con agua caliente y jabón y secarse completamente al aire antes siendo reensamblado.

6.5. Lavar y desinfectar los componentes

Todas las piezas retiradas previamente deberán limpiarse y desinfectarse a fondo.

Nota importante: Los procedimientos de desinfección deben cumplir con la máquina.

Pautas de operación.

Siga las instrucciones a continuación para garantizar una desinfección adecuada:

1. Dispense la solución antiséptica en el recipiente (sodio al 2%).

hipoclorito mezclado con agua).

2. Lave bien el recipiente, la tapa y el evaporador con una esponja empapada.

3. Limpiar completamente con agua.

4. Vierta el desinfectante en otro recipiente.

5. Sumerja las piezas desmontadas en el desinfectante.

6. Remoje las piezas en desinfectante durante 30 minutos.

7. Lavar nuevamente con abundante agua.

8. Seque las piezas al aire en un lugar limpio.

9. Vuelva a ensamblar como se describe en la sección 6.5.

10. Enjuague bien con agua antes de utilizar la máquina.

Precaución: No sumerja la tapa con la lámpara en ninguna solución. Antes

Para limpiar y desinfectar la tapa, retire la tapa como se describe en la

Sección anterior. Para limpiar correctamente la cubierta de la lámpara, siga estos pasos

Se debe seguir:

1. Limpie la parte inferior de la tapa (la parte que está en contacto con la máquina) con un Paño limpio y húmedo.

2. Limpie el exterior de la máquina con un paño limpio y húmedo.

3. Utilice una esponja empapada en desinfectante para desinfectar la parte inferior de la tapa. Y asegúrese de no mojar la interfaz de la tapa con la máquina.

4. Deje funcionar durante 30 minutos.

5. Enjuague dos veces o más. Solo es necesario limpiar la parte inferior de la tapa.

Esponja de agua limpia.

6. Coloque la tapa sobre una superficie plana y limpia para que se seque. Primero, seque la parte inferior y limpie las partes externas con un paño limpio.

7. Vuelva a instalar la tapa después de haber limpiado y desinfectado el recipiente.

Nunca limpie la máquina cuando la tapa esté instalada en ella.

6.6 Vuelva a ensamblar las piezas limpias

Todos los componentes limpiados y desinfectados deben reinstalarse con cuidado y

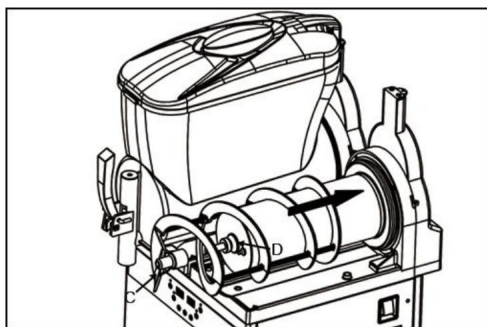
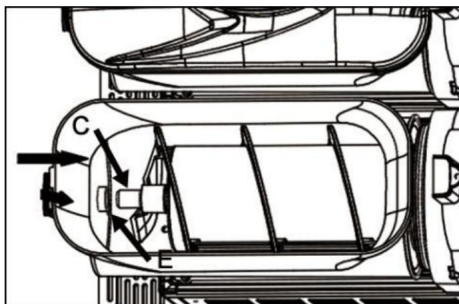
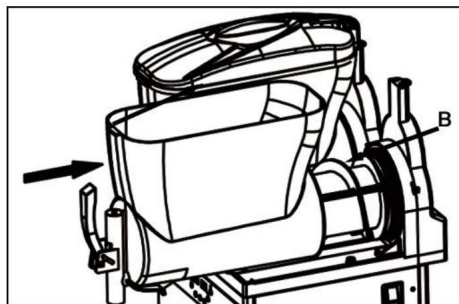
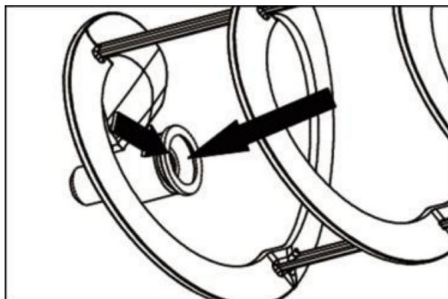
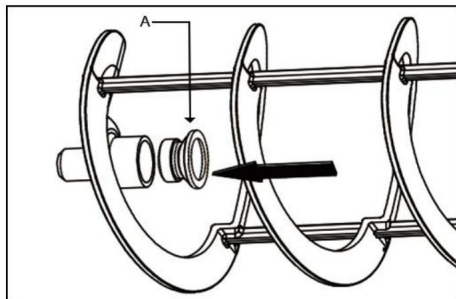
Los componentes deben estar completamente lubricados para que la máquina funcione mejor.
eficientemente.

Limpie la bandeja y la rejilla por separado con agua tibia.

Seque todas las piezas.

Coloque nuevamente la rejilla sobre la bandeja.

Instale el anillo de sello del eje del mezclador como se muestra.



Nota importante: Compruebe siempre la integridad del anillo de sellado. Si el anillo de sellado está roto, debe reemplazarse por uno nuevo.

Utilice la vaselina suministrada para lubricar el anillo de sello en el área ilustrada.

Instale el eje del mezclador como se muestra; instale la cabeza del eje del mezclador (C) el eje (D).

Consejos: Gírelo hacia la primera mitad del recipiente y empuje el recipiente hacia la posición designada en contacto con el anillo de sello (B).

1) Alinee la cabeza del eje del mezclador con la interfaz dentro del recipiente, presione Baje el recipiente y siga las instrucciones a continuación para reinstalar el grifo.

2) Lubrique completamente las juntas con la vaselina suministrada.

3) Coloque el pistón en la posición designada y empuje la manija hasta que Conecta el grifo.

6.7 Ciclo de enjuague

Antes de poner en marcha la máquina, se debe limpiar de forma circular.

Proceda de la siguiente manera:

1. Llene el recipiente con agua.
2. Deje que la máquina revuelva durante 5 minutos.
3. Apague la máquina y abra el grifo para vaciar el agua del recipiente.

6.8 Limpiar la caja de agua

La caja de agua debe vaciarse y limpiarse periódicamente.

Levante la caja de agua con la tapa y luego sáquela.

6.9 Tapa de la lámpara

6.10 Reemplazo de lámpara

Al sustituir la lámpara, el interruptor principal debe estar apagado y el

La energía debe estar desconectada.

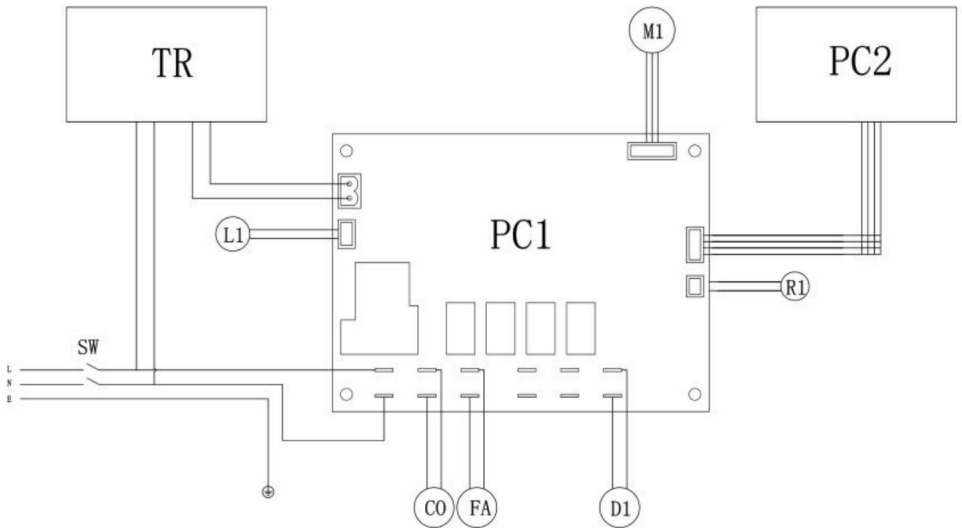
Retire la tapa protectora y desatornille los tornillos de la cubierta; utilice un

Destornillador para operar.

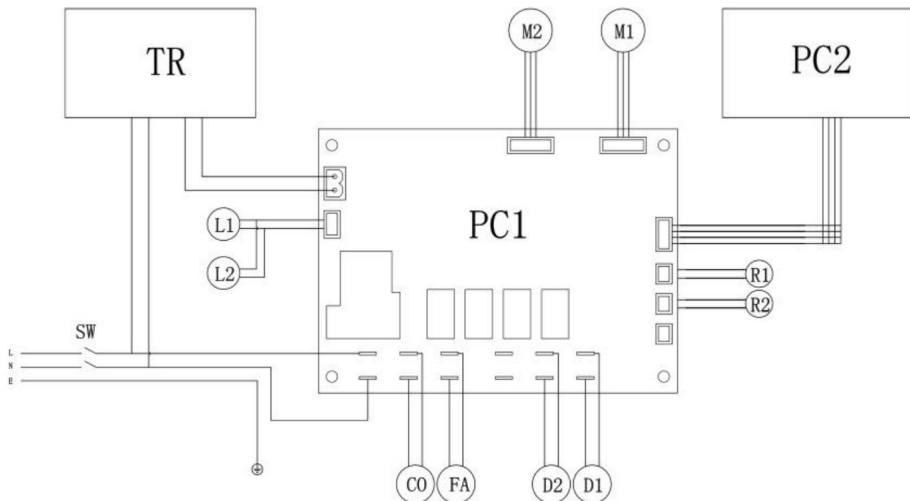
6.11 Mantenimiento periódico

- 1) La máquina debe recibir mantenimiento periódico por parte de técnicos profesionales.
(al menos una vez al año).
- 2) La inspección regular puede garantizar que todos los componentes estén instalados en su lugar y que la máquina pueda funcionar de manera segura.
- 3) Cualquier componente dañado deberá ser reemplazado con piezas originales.

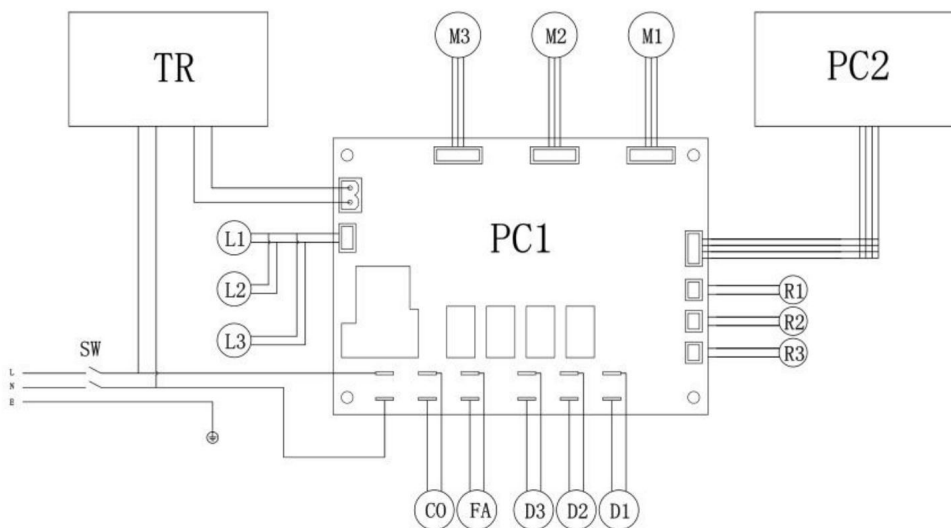
7. Diagrama de cableado



Placa de circuito impreso PCI-Vain, Panel de visualización PC2, Interruptor \$i, Coapressor 00, FA-Ventilador, Transformador 1R-MI-Torre de agitación, Iluminación LED LI, Sensor de temperatura RI.



Placa de circuito impreso principal PC1, panel de pantalla p2, interruptor Sh, compresor 00, ventilador FA, TR-Transformador MI/1/%2-Transformador de agitación Whotor, II/I2-Iluminación ED, Sensor de temperatura R1/R2, válvula solenoide DI/02



Placa de circuito impreso principal PC1, panel de visualización p2, interruptor SNS, coapresor C0, ventilador FA, transformador TR, notador de agitación M1/1/M2/M3, LED L1/L2/L3 Iluminación.Sensor de temperatura R1/R2/R3,Válvula solenoide DI/D2/03

VEVOR®

TOUGH TOOLS, HALF PRICE

Soporte técnico y certificado de garantía
electrónica www.vevor.com/support

VEVOR®

TOUGH TOOLS, HALF PRICE

Wsparcie techniczne i certyfikat gwarancji elektronicznej www.vevor.com/support

MASZYNA DO SLUSHA

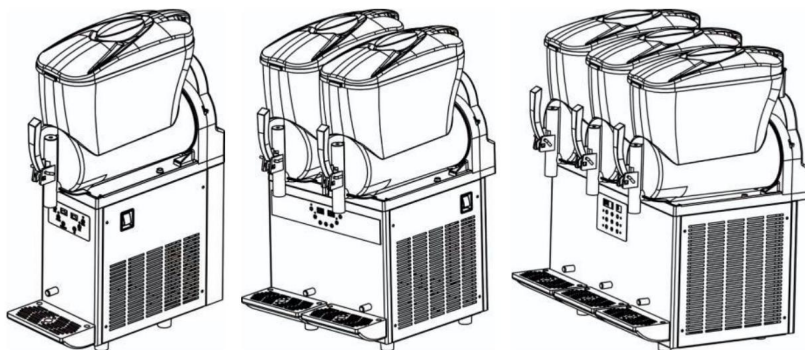
MODEL: XN120B XN240B XN360B

Nadal staramy się oferować Państwu narzędzia w konkurencyjnych cenach. „Oszczędź połowę”, „Połowa ceny” lub inne podobne wyrażenia używane przez nas stanowią jedynie szacunkowe oszczędności, jakie możesz uzyskać, kupując u nas określone narzędzia w porównaniu z głównymi markami i niekoniecznie oznaczają one objęcie wszystkich kategorii narzędzi oferowanych przez nas. Uprzejmie przypominamy, aby dokładnie sprawdzić, czy składając u nas zamówienie faktycznie oszczędzasz połowę w porównaniu z głównymi markami.

VEVOR[®]
TOUGH TOOLS, HALF PRICE

MASZYNA DO SLUSHA

MODEL: XN120B XN240B XN360B



POTRZEBUJESZ POMOCY? SKONTAKTUJ SIĘ Z NAMI!

Masz pytania dotyczące produktu? Potrzebujesz wsparcia technicznego? Skontaktuj się z nami:
Wsparcie

techniczne i certyfikat E-Gwarancji www.vevor.com/support

To jest oryginalna instrukcja, przed użyciem należy uważnie przeczytać wszystkie instrukcje. VEVOR zastrzega sobie jasną interpretację naszej instrukcji obsługi. Wygląd produktu będzie zależał od produktu, który otrzymałeś. Prosimy o wybaczenie, że nie poinformujemy Cię ponownie, jeśli w naszym produkcie pojawią się jakiegokolwiek aktualizacje technologiczne lub oprogramowania.



Ostrzeżenie – aby zmniejszyć ryzyko obrażeń, użytkownik musi przeczytać
Przeczytaj uważnie instrukcję obsługi.

UWAGA: Zmiany lub modyfikacje nie są wyraźnie dozwolone.
zatwierdzone przez stronę odpowiedzialną za zgodność mogą być nieważne
uprawnienia użytkownika do obsługi sprzętu!

To urządzenie jest zgodne z częścią 15 przepisów FCC.

Eksploatacja podlega następującym dwóm warunkom:

- 1) Produkt ten może powodować szkodliwe zakłócenia.
- 2) Produkt ten musi być odporny na wszelkie zakłócenia,
w tym zakłócenia mogące powodować niepożądane działanie.

OSTRZEŻENIE: Zmiany lub modyfikacje tego produktu nie są dozwolone.
wyraźnie zatwierdzone przez stronę odpowiedzialną za zgodność
może unieważnić prawo użytkownika do korzystania z produktu.

Uwaga: Ten produkt został przetestowany i uznany za zgodny z
limity dla urządzeń cyfrowych klasy B zgodnie z częścią 15

Przepisy FCC. Te limity mają na celu zapewnienie
rozsądna ochrona przed szkodliwymi zakłóceniami w
instalacja mieszkaniowa.

Ten produkt generuje, wykorzystuje i może emitować fale radiowe.
energia częstotliwości, a jeśli nie jest zainstalowana i używana w
zgodnie z instrukcją może powodować szkodliwe skutki
zakłócenia w komunikacji radiowej. Nie ma jednak

gwarancja, że w określonym miejscu nie wystąpią żadne zakłócenia
instalacji. Jeśli ten produkt powoduje szkodliwe zakłócenia


odbiór radia lub telewizji, który można określić na podstawie

wyłączając i włączając produkt, zachęcamy użytkownika do wypróbowania
aby skorygować zakłócenia za pomocą jednego lub więcej z następujących sposobów
środki.

- Zmień orientację lub lokalizację anteny odbiorczej. •

- Zwiększ odległość między produktem a odbiornikiem. • Podłącz produkt do
gniazdka w innym obwodzie niż
to, do czego podłączony jest odbiornik.



	<ul style="list-style-type: none">• W celu uzyskania pomocy należy zwrócić się do sprzedawcy lub doświadczonego technika radiowo-telewizyjnego.
	<p>Ten produkt podlega postanowieniom Dyrektywy Europejskiej 2012/19/WE. Symbol przedstawiający przekreślony kosz na śmieci na kółkach oznacza, że produkt wymaga oddzielnej zbiórki odpadów w Unii Europejskiej. Dotyczy to produktu i wszystkich akcesoriów oznaczonych tym symbolem. Produktów oznaczonych w ten sposób nie można wyrzucać razem ze zwykłymi odpadami domowymi, ale należy je oddać do punktu zbiórki w celu recyklingu urządzeń elektrycznych i elektronicznych.</p>

Spis treści

1. Opis produktu 1.1.

Zastosowanie produktu

1.2. Części główne

1.3 Parametry techniczne

1.4. Opis i funkcje panelu sterowania

2.

Bezpieczeństwo 2.1. Zasady

bezpieczeństwa 2.2. Funkcja zatrzymania

3. Eksploatacja i przechowywanie

3.1. Opakowanie

3.2. Transport i eksploatacja 3.3.

Przechowywanie

4. Instalacja

4.1. Miejsce montażu

4.2. Podłączenie zasilania

5. Działanie 5.1.

Przygotowanie materiałów 5.2

Uruchomienie maszyny do produkcji

slush 5.3. Regulacja stężenia slush 5.4.

Produkcja slush

5.5. Sytuacja awaryjna

6. Czyszczenie i konserwacja 6.1.

Opróżnianie miski 6.2.

Demontaż części uchwytu

6.3. Zdejmij miskę i pokrywkę

6.4. Demontaż uchwytu do pchania

6.5. Mycie i dezynfekcja komponentów 6.6. Ponowny

montaż wyczyszczonych części 6.7. Cykl

płukania 6.8.

Czyszczenie skrzynki wodnej 6.9.

Ośłona lampy 6.10.

Wymiana lampy 6.11. Regularna

konserwacja

7. Schemat okablowania

1. Opis produktu

1.1. Zastosowanie

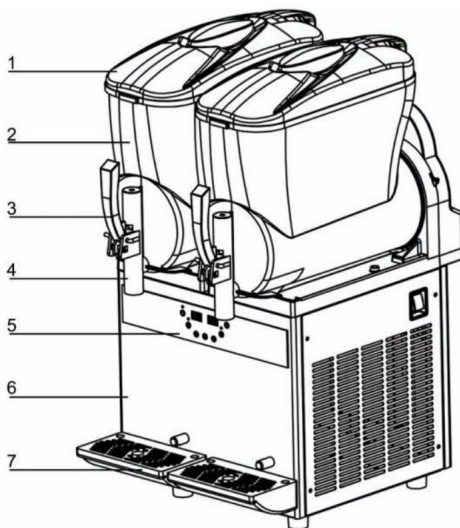
produktu To urządzenie nadaje się do przygotowywania napojów mrożonych i zimnych. Obsługa urządzenia musi być zgodna z obowiązującymi normami.

1.2. Części główne

Główne elementy maszyny to:

następują:

1. Pokrywa miski
2. Miska
3. Klucz spustowy
4. Otwór spustowy
5. Panel sterowania
6. Podwozie
7. Tacka na wodę



1.3 Parametry techniczne

Model: proszę zobaczyć tabliczkę znamionową

Rozmiar: proszę sprawdzić tabliczkę znamionową

Maksymalna moc wyjściowa (waty): patrz tabliczka znamionowa

Napięcie robocze (wołty): patrz tabliczka znamionowa z boku maszyny

Zakres temperatury otoczenia podczas pracy: od 5 stopni do 32 stopni

Numer miski: 1/2/3

Pojemność pojedynczej miski (L):12

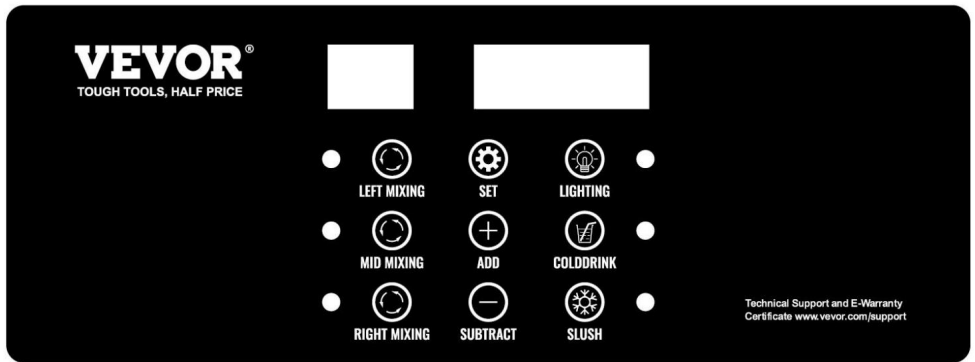
Poziom ciśnienia akustycznego: min. 65 dB

Ocena: N

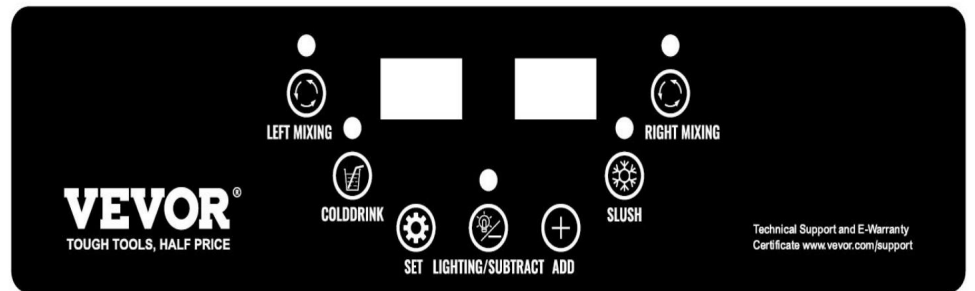
*
Wskazówka: Fabryka zastrzega sobie prawo do modyfikacji maszyny bez uprzedzenia.

1.4 Opis i funkcja panelu sterowania 1.4.1 Schemat panelu:

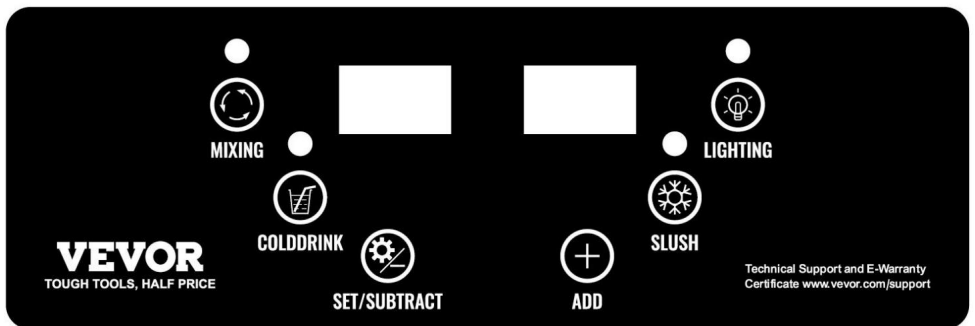
MODEL: XN360B



MODEL: XN240B



MODEL: XN120B



Kod modelu		Fabryka Ustawienie	Oznaczający
XN120B	RYS. 1	-2,0°C	Temperatura śniegu
	CD1	5,0°C	Temperatura zimnego napoju
XN240B	RYS. 1	-2,0°C	Temperatura śniegu dla lewej miski
	SL2	-2,0°C	Temperatura lodu dla prawej miski
	CD1	5,0°C	Temperatura zimnego napoju dla lewej miski
	CD2	5,0°C	Temperatura zimnego napoju dla prawej miski
XN360B	S1	-2,0°C	Temperatura lodu w lewej misce
	S2	-2,0°C	Temperatura brei dla środkowej miski
	S3	-2,0°C	Temperatura lodu dla prawej miski
	C1	5,0°C	Temperatura zimnego napoju dla lewej miski
	C2	5,0°C	Temperatura zimnego napoju dla środkowej miski
	C3	5,0°C	Temperatura zimnego napoju dla prawej miski

Kod	Ustawienia fabryczne	Oznaczający
P00	0,2 (stopni)	Różnica temperatur powrotu śniegu wartość
P01	0 (stopni)	Maksymalna temperatura ustawienia
P02	-15,0 (stopni)	Minimalna temperatura ustawienia
P03	10 (minut)	Czas ochrony prasy
P04	110V:85(V) 220V:185(V)	Wartość ochrony przed niskim napięciem
P05	1 (0: Wyłącz 1: Włączyć)	Włączono ochronę napięciową
P06	0,0	#1 korekta temperatury miski
P07	0,0	# 2 korekta temperatury miski
P08	0,0	#3 korekta temperatury miski
P09	2,0 (stopnie)	Różnica temperatur powrotu zimnego napoju wartość

1.4.2 Wprowadzenie funkcji i zbioru

(Model: XN120B)

1. Naciśnij przycisk „Mixing”, włącz funkcję mieszania, zaświeci się lampka mieszania. Naciśnij Aby wyłączyć funkcję miksowania, naciśnij ponownie przycisk „Miksowanie”.

2. Naciśnij przycisk „Zimny napój” (funkcja mieszania musi być włączona, w przeciwnym razie (jeśli przycisk Zimnego Napoju nie działa), włącz funkcję Zimnego Napoju i Zimnego Napoju świeci się kontrolka napoju (kompresor jest włączony) lub miga kontrolka zimnego napoju (kompresor jest wyłączony), a następnie naciśnij ponownie przycisk „Zimny napój”, aby zamknąć funkcja zimnego napoju.

3. Naciśnij przycisk „Slush” (funkcja mieszania musi być włączona, w przeciwnym razie (Klawisz Slush nie działa) do otwierania funkcji Slush, a lampka Slush jest włączona (sprężarka jest włączona) lub miga kontrolka szronu (sprężarka jest włączona) (wyłącz urządzenie), a następnie naciśnij ponownie przycisk „Slush”, aby zamknąć funkcję Slush.

4. Naciśnij przycisk „Oświetlenie”, aby włączyć światło, a następnie naciśnij ponownie przycisk „Oświetlenie”, aby wyłączyć światło.

5. Naciśnij klawisz „Set”, aby przejść do stanu ustawień parametrów użytkownika. W tym momencie naciśnij klawisz „Set”, aby zmienić obiekt ustawień, naciśnij klawisz „Subtract(-)” i klawisz „Add(+)”, aby zmienić wartość. Po 5 sekundach bez działania klawisza, system automatycznie wyjdzie i zapisze wartość ustawienia.

6. Przytrzymaj jednocześnie klawisze „Odejmij(-)” i „Dodaj(+)” przez 5 sekund. aby wejść w tryb ustawień parametrów fabrycznych, naciśnij przycisk „Oświetlenie” aby zmienić obiekt, naciśnij klawisz „Odejmij(-)” i klawisz „Dodaj(+)”, aby zmienić wartość. System automatycznie wyjdzie i zapisze parametry po 5 sekund bez użycia żadnych klawiszy.

(Model: XN240B)

1. Naciśnij przycisk „Left Mixing”, aby włączyć funkcję lewego miksowania, zaświeci się kontrolka lewego miksowania. Aby wyłączyć funkcję miksowania lewej strony, naciśnij ponownie przycisk „Left Mixing”.

2. Naciśnij przycisk „Right Mixing”, włącz funkcję mieszania prawego, zaświeci się kontrolka mieszania prawego jest włączony. Naciśnij ponownie przycisk „Right Mixing”, aby wyłączyć funkcję mieszania prawego.

3. Naciśnij przycisk „Zimny napój” (funkcja mieszania musi być włączona, w przeciwnym razie przycisk Zimny napój nie będzie działał), włącz funkcję zimnego napoju, a kontrolka zimnego napoju zaświeci się (kompresor zostanie włączony) lub kontrolka zimnego napoju

miga (kompresor jest wyłączony), następnie naciśnij ponownie przycisk „Zimny napój” aby wyłączyć funkcję zimnego napoju.

4. Naciśnij przycisk „Slush” (funkcja mieszania musi być włączona, w przeciwnym razie (klawisz Slush nie działa) do otwarcia funkcji Slush, a światło Slush jest

świeci (sprężarka jest włączona) lub miga kontrolka szronu (sprężarka jest włączona)

(wyłącz urządzenie), a następnie naciśnij ponownie przycisk „Slush”, aby zamknąć funkcję Slush.

5. Naciśnij przycisk „Oświetlenie”, aby włączyć światło, a następnie naciśnij ponownie przycisk „Oświetlenie”, aby wyłączyć światło.

6. Naciśnij przycisk „Set”, aby przejść do stanu ustawień parametrów użytkownika. W tym momencie naciśnij przycisk „Ustaw”, aby zmienić obiekt ustawień, naciśnij przycisk „Odejmij (-)” i Klawisz „Add(+)”, aby zmienić wartość. Po 5 sekundach bez użycia klawisza, system automatycznie zakończy działanie i zapisze wartość ustawienia.

7. Naciśnij i przytrzymaj jednocześnie przycisk „Set” i przycisk „Add(+)” przez 5 sekund, aby wejść w tryb ustawień parametrów fabrycznych, naciśnij przycisk „Set”, aby zmienić obiekt, naciśnij klawisz „Odejmij (-)” i klawisz „Dodaj (+)”, aby zmienić wartość. System automatycznie zakończy działanie i zapisze parametry po 5 sekundach bez użycia jakichkolwiek klawiszy.

(Model: XN360B)

1. Naciśnij przycisk „Left mixed”, aby włączyć funkcję lewego mieszania, zaświeci się kontrolka lewego mieszania. Aby wyłączyć funkcję miksowania lewej strony, naciśnij ponownie przycisk „Miksowanie lewej strony”.

2. Naciśnij przycisk „Mid Mixing”, włącz funkcję mieszania w środku, zaświeci się kontrolka mieszania w środku. Naciśnij ponownie przycisk „Mid Mixing”, aby wyłączyć funkcję mieszania w środku.

3. Naciśnij przycisk „Right Mixing”, aby włączyć funkcję mieszania prawego, a następnie zaświeci się kontrolka mieszania prawego. Naciśnij ponownie przycisk „Right Mixing”, aby wyłączyć funkcję mieszania prawego.

4. Naciśnij przycisk „Zimny napój” (funkcja mieszania musi być włączona, w przeciwnym razie przycisk Zimny napój nie będzie działał), włącz funkcję zimnego napoju, a kontrolka zimnego napoju zaświeci się (kompresor zostanie włączony) lub kontrolka zimnego napoju miga (kompresor jest wyłączony), następnie naciśnij ponownie przycisk „Zimny napój” aby wyłączyć funkcję zimnego napoju.

5. Naciśnij przycisk „Slush” (funkcja mieszania musi być włączona, w przeciwnym razie (klawisz Slush nie działa) do otwarcia funkcji Slush, a światło Slush jest świeci (sprężarka jest włączona) lub miga kontrolka szronu (sprężarka jest włączona)

(wyłączone), a następnie naciśnij ponownie przycisk Slush, aby zamknąć funkcję Slush.

6. Naciśnij przycisk „Oświetlenie”, aby włączyć światło, a następnie naciśnij ponownie przycisk „Oświetlenie”, aby wyłączyć światło.

7. Naciśnij klawisz „Set”, aby przejść do stanu ustawień parametrów użytkownika. W tym momencie naciśnij klawisz „Set”, aby zmienić obiekt ustawień, naciśnij klawisz „Subtract(-)” i klawisz „Add(+)”, aby zmienić wartość. Po 5 sekundach bez działania klawisza, system automatycznie wyjdzie i zapisze wartość ustawienia.

8. Przytrzymaj jednocześnie klawisze „Odejmij(-)” i „Dodaj(+)” przez 5 sekund. aby wejść w tryb ustawień parametrów fabrycznych, naciśnij przycisk „Set”, aby zmień obiekt, naciśnij klawisz „Odejmij(-)” i klawisz „Dodaj(+)”, aby zmienić wartość. System wyjdzie i zapisze parametry automatycznie po 5 sekund bez użycia żadnych klawiszy.

Uwaga: jeśli urządzenie działa prawidłowo, nie należy zmieniać ustawień fabrycznych.

1.4.3 Opis kodu alarmu

- 1) „- -”: włącza się alarm zamrożonej miski, a sprężarka i silnik zostają zatrzymane działa i wznawia działanie automatycznie po 10 minutach.
- 2) „RH”: alarm awarii czujnika temperatury. Zatrzymaj chłodzenie w zimnym napoju stan funkcji bez wpływu na funkcję slush.
- 3) „LLL”: alarm niskiego napięcia, cała maszyna zatrzymuje się. Wyłącz zasilanie i sprawdź zasilanie. Uruchom ponownie maszynę po ustabilizowaniu się napięcia. Jeśli tak Jeśli często wyświetla się komunikat „LLL”, zalecamy podłączenie stabilizatora napięcia.

2. Bezpieczeństwo

2.1 Ogólne zasady bezpieczeństwa

1. Przeczytaj uważnie całą instrukcję
 2. Przewód zasilający musi spełniać lokalne normy bezpieczeństwa
 3. Przewód zasilający i rozmiar wtyczki muszą być zgodne z parametry podane na tabliczce znamionowej maszyny, prawidłowo uziemione i sprężone z odpowiednimi przełącznikami i wyłącznikami. Nigdy nie uruchamiaj maszyny w pobliżu przedmiotów łatwopalnych lub wybuchowych.
- Nie wolno dokonywać żadnych modyfikacji technicznych maszyny.

- Proszę nie spryskiwać urządzenia podczas płukania
- Należy postępować zgodnie z instrukcją obsługi urządzenia. • Nie należy montować urządzenia na innych urządzeniach.
- Nie myj benzenem ani innymi rozpuszczonymi substancjami.
- Nigdy nie blokuj otworów wentylacyjnych znajdujących się z boku urządzenia.

Przed czyszczeniem maszyny należy upewnić się, że została ona odłączona od zasilania.

Naprawę maszyny należy zlecić naszemu serwisowi lub przeszkolonemu personelowi. technik.

*
Uszkodzenia powstałe na skutek niewłaściwej obsługi powodują unieważnienie naszej gwarancji, a Fabryka nie ponosi odpowiedzialności za obrażenia ciała lub szkody materialne szkoda.

2.2. Funkcja zatrzymania

Aby zatrzymać maszynę, wyłącz wyłącznik główny.

3. Eksploatacja i przechowywanie

Wszystkie czynności opisane w rozdziale 4 muszą być wykonywane przez profesjonalistów odpowiedzialny za transport/obsługę produktów zapakowanych i nieopakowanych. Pamiętaj o użyciu odpowiedniego sprzętu w zależności od rodzaju i ciężaru ładunku towarów, a także odpowiednie postanowienia przepisów lokalnych.

3.1. Opakowanie

Towar przeznaczony do wysyłki powinien być zapakowany i zabezpieczony wewnątrz pianką, a na zewnątrz tekturowymi lub drewnianymi pudełkami.

3.2. Transport i obsługa

W przypadku konieczności wykonania prac fizycznych, prace te muszą zostać wykonane co najmniej przez dwie osoby.

1) Maszyna musi być w pozycji pionowej podczas przemieszczania.

2) Zwróć uwagę na opakowanie i wystające części.

3.3. Przechowywanie

Przed włożeniem do pralki należy ją wyczyścić i zdezynfekować. magazyn.

Jeżeli maszyna ma być wyłączona z eksploatacji przez dłuższy czas, należy podjąć środki ostrożności. wzięte pod uwagę ze względu na miejsce umieszczenia i czas przechowywania:

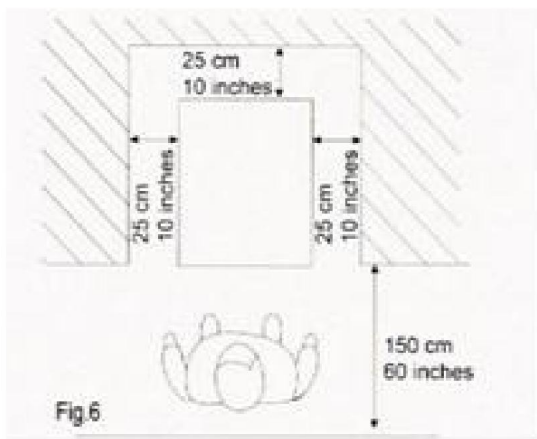
- 1) Maszynę należy umieścić w pomieszczeniu zamkniętym.
- 2) Chronić maszynę przed uderzeniami i zgnieceniami.
- 3) Urządzenie należy umieścić w chłodnym i suchym miejscu, nie narażając go na działanie wilgoci i wysoka temperatura.
- 4) Trzymaj maszynę z dala od substancji żrących.

4. Instalacja

Maszynę należy zainstalować w jasnym, dobrze wentylowanym pomieszczeniu o twardym podłożu. podłoga twarda.

4.1 Miejsce montażu

1. Podłoże, na którym będzie zamontowana maszyna, musi być stabilne i płaskie.
2. Pomieszczenie powinno być jasne, dobrze wentylowane i czyste.
3. Należy zapewnić wystarczającą przestrzeń, aby umożliwić nieograniczoną eksploatację, jak również do użytku awaryjnego. *WSKAZÓWKA: Pozostaw 25 cm (10 cali) wolnej przestrzeni na górze miski.



* Przed pierwszym użyciu maszyny należy wyczyścić wszystkie części i ostrożnie obchodzić się z częściami, które mają kontakt z błotem pośniegowym;

Więcej szczegółów znajdziesz w odpowiedniej sekcji.

4.2. Podłączenie zasilania

Przed podłączeniem upewnij się, że główny wyłącznik jest w pozycji „0”.

podłączasz się.

Ostrzeżenie: Gniazdo zasilania musi być umieszczone w miejscu łatwo dostępnym.

przez użytkownika.

5. Działanie

5.1. Przygotowanie materiału

Wsymp materiał do miski, gdy maszyna jest wyłączona i odłączona od zasilania.

Ostrzeżenie: Minimalna zawartość cukru nie powinna być mniejsza niż 13%, ponieważ

Koncentracja może uszkodzić maszynę.

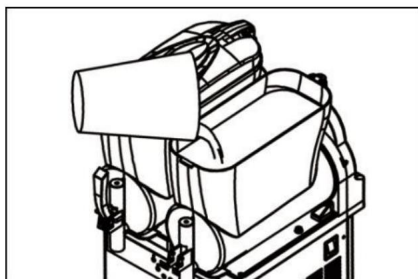
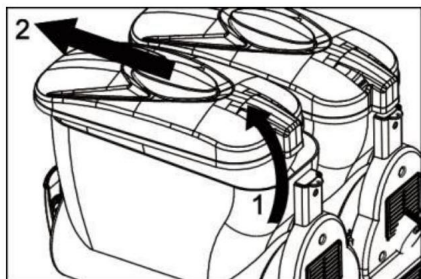
Zdejmij pokrywę z miski zgodnie z poniższą instrukcją:

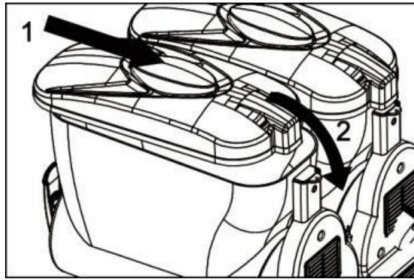
1. Podnieś tylną część pokrywy.
2. Zdejmij pokrywę z przedniego uchwytu.
3. Po dodaniu materiału do miski należy nałożyć pokrywę na miskę.

z powrotem.

Ostrzeżenie:

- 1) Proszę nie otwierać pokrywy na siłę.
 - 2) Nigdy nie dodawaj płynów o temperaturze wyższej niż 25 stopni Celsjusza.
 - 3) Podczas karmienia miski należy uważać, aby nie przekroczyć maksymalnego limitu i musi przekraczać wał miksera.
 - 4) Proszę nie włączać urządzenia, gdy pokrywa nie jest na swoim miejscu. Proszę Przed zdjęciem pokrywy wyłączyć maszynę i odłączyć ją od zasilania.
 - 5) Przed wyjęciem jakichkolwiek części z urządzenia wyłącz je i odłączyć od zasilania.
- miska





5.2. Uruchomienie maszyny do produkcji lodu kruszonego

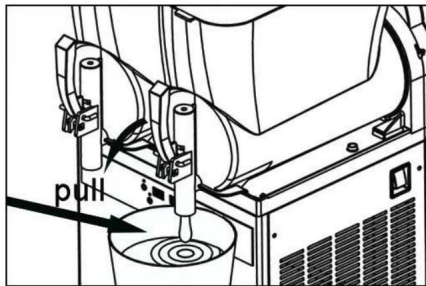
Zobacz 1.4. Opis i funkcje panelu sterowania.

5.3. Regulacja stężenia lodu śnieżnego

Aby skonfigurować parametry, zapoznaj się z rozdziałem 1.4.2; większa pozycja odpowiada gęstsza breja.

5.4 Produkcja slush

Pociągnij za uchwyt, aby wytworzyć breję.



Jeżeli maszyna nie będzie używana w sposób ciągły, należy wykonać następujące czynności:

wymagane w przypadku produktów mlecznych:

- 1) Spryskaj kran i jego okolicę wodą.
(Jednocześnie przetrzyj czystą ściereczką w celu dezynfekcji).
- 2) Przed przygotowaniem dla klienta slushy, należy użyć niewielkiej ilości

produkt, który warto wypróbować jako pierwszy.

5.5 Sytuacje awaryjne

- 1) W sytuacjach ekstremalnych należy ustawić wyłącznik główny w pozycji „0”, aby wyłączyć maszynę.

2) Jeśli maszyna się zacięła, wyłącz ją i skontaktuj się z serwisem centrum lub profesjonalnego technika.

6. Czyszczenie i konserwacja

Przed przystąpieniem do czyszczenia i konserwacji zewnętrznych podzespołów maszyny, upewnij się, że główny wyłącznik znajduje się w pozycji „0”, a Maszyna nie jest podłączona.

Aby wyczyścić i konserwować, postępuj zgodnie z poniższymi instrukcjami:

1. Załóż rękawice ochronne.
2. Nigdy nie używaj materiałów rozpuszczalnych i wybuchowych.
3. Gdy urządzenie jest włączone, a wyłącznik główny znajduje się w pozycji „1”, czyszczenie jest zabronione.

6.1 Opróżnij miskę

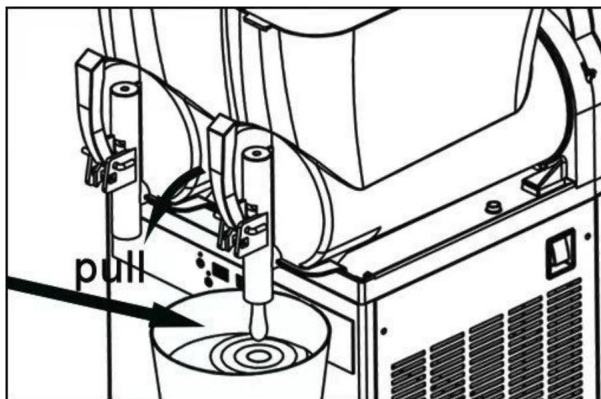
Przed czyszczeniem miski należy najpierw usunąć wszystkie wcześniej przygotowane tworzywo.

6.2. Zdemontuj części uchwytu

Nie należy demontować uchwytu maszyny, jeżeli znajduje się w nim materiał lub inny płyn w misce.

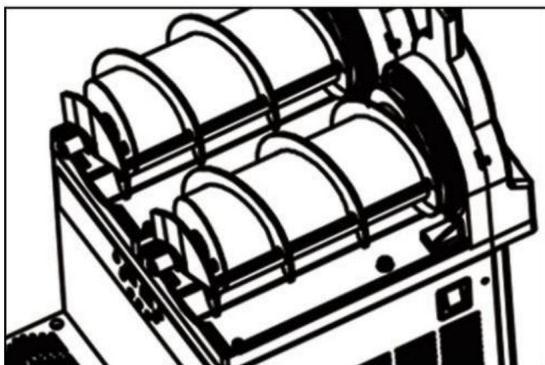
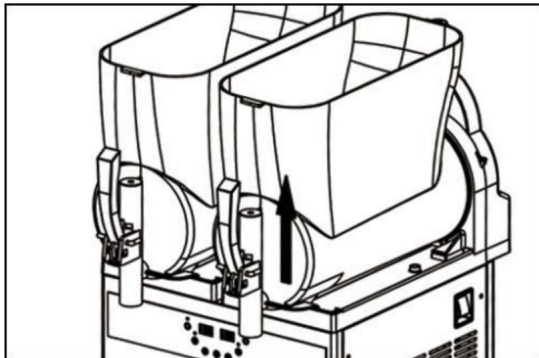
6.3 Zdejmij miskę i pokrywkę

Wymij każdą miskę, aby upewnić się, że maszyna jest czysta i schludna.



Wyjmij miskę w następujący sposób:

1. Zdejmij pokrywę tak jak pokazano na rysunku.
2. Podnieś przednią część miski, aby ją poluzować.
3. Delikatnie naciśnij i obróć tylną stronę, aby wyjąć miskę.
4. Wyjmij wałek miksera i usuń pierścienie uszczelniające.



6.4 Zdemontuj uchwyt do pchania

1. Połóż miskę na gładkiej powierzchni, aby ułatwić wyjęcie kranu.
Pociągnij „U” do siebie i drugą ręką pchnij kran.
2. Odblokuj sprężynę, przytrzymaj ją, pchnij poziomo i na koniec zwolnij.
3. Odkręć pręt od kranu.
4. Przytrzymaj dwa gumowe kołnierze i oddziel od nich czerwoną gumę.

Wszystkie części muszą zostać umyte gorącą wodą z mydłem i całkowicie wysuszone na powietrzu przed w trakcie ponownego montażu.

6.5. Mycie i dezynfekcja elementów

Wszystkie wcześniej zdemontowane części należy dokładnie wyczyścić i zdezynfekować.

Ważna uwaga: Procedury dezynfekcji muszą być zgodne z maszyną wytyczne operacyjne.

Aby zapewnić właściwą dezynfekcję, należy postępować zgodnie z poniższymi instrukcjami:

1. Wlać roztwór antyseptyczny do pojemnika (2% roztwór sodu podchloryn zmieszany z wodą).

2. Dokładnie umyj miskę, pokrywę i parownik nasączoną gąbką.

3. Dokładnie oczyścić wodą.

4. Przelej środek dezynfekujący do innego pojemnika.

5. Zanurz rozmontowane części w środku dezynfekującym.

6. Namocz części w środku dezynfekującym przez 30 minut.

7. Ponownie dokładnie umyj wodą.

8. Pozostaw części do wyschnięcia w czystym miejscu.

9. Złóż ponownie zgodnie z opisem w punkcie 6.5.

10. Przed użyciem urządzenia dokładnie wypłucz je wodą.

Uwaga: Nie zanurzaj pokrywy z lampą w żadnym roztworze. Przed czyszczeniem i dezynfekcją pokrywy, proszę zdjąć pokrywę zgodnie z opisem poprzednia sekcja. Aby prawidłowo wyczyścić osłonę lampy, wykonaj następujące kroki należy przestrzegać:

1. Wytrzyj spód pokrywy (część stykającą się z maszyną) miękką ściereczką. czysta, wilgotna ściereczka.

2. Wytrzyj zewnętrzną część urządzenia czystą, wilgotną szmatką.

3. Za pomocą gąbki nasączonej środkiem dezynfekującym zdezynfekuj spód pokrywy. Należy pamiętać, aby nie zamoczyć powierzchni styku pokrywy z maszyną.

4. Pozostawić urządzenie na 30 minut.

5. Płucz dwa lub więcej razy. Tylko spód pokrywy należy przetrzeć czystą gąbką wodną.

6. Połóż pokrywę na czystej, płaskiej powierzchni, aby wyschła. Najpierw osusz spód i wytrzyj części zewnętrzne czystą szmatką.

7. Po wyczyszczeniu i zdezynfekowaniu miski załóż z powrotem pokrywę.

Nigdy nie czyść urządzenia, gdy jest na nim założona pokrywa.

6.6 Ponowny montaż wyczyszczonych części

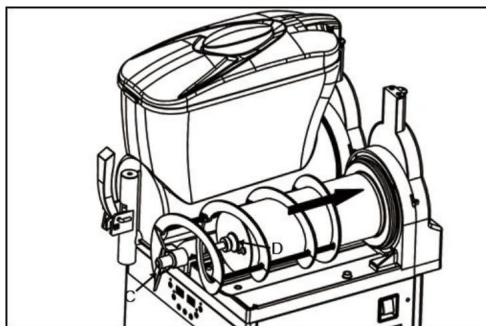
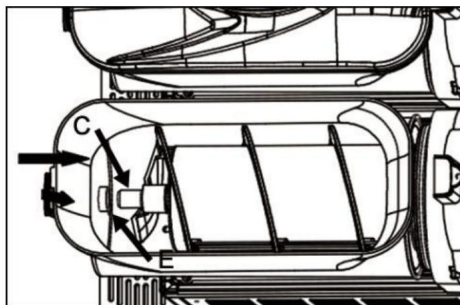
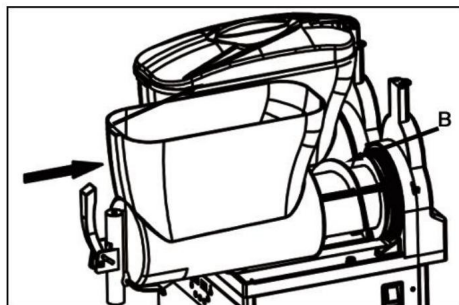
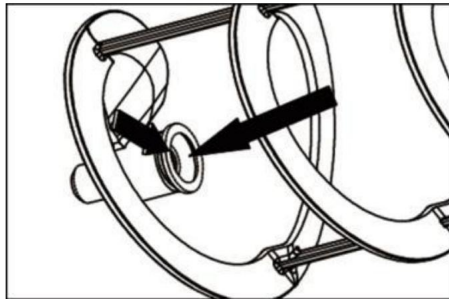
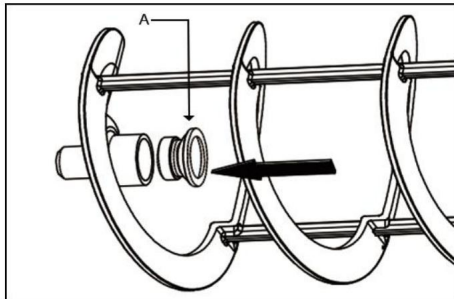
Wszystkie wyczyszczone i zdezynfekowane elementy należy ostrożnie ponownie zainstalować, a Aby maszyna mogła pracować wydajniej, elementy muszą być w pełni nasmarowane skutecznie.

Myj tackę i kratkę oddzielnie ciepłą wodą.

Wysusz wszystkie części.

Założ ponownie kratkę na tackę.

Zamontuj pierścień uszczelniający wału miksera, jak pokazano.



Ważna uwaga: Zawsze sprawdzaj integralność pierścienia uszczelniającego. Jeśli pierścień uszczelniający jest jeśli jest uszkodzony, należy go wymienić na nowy.

Za pomocą dołączonej wazeliny nasmaruj pierścień uszczelniający w miejscu pokazanym na ilustracji.

Zamontuj wał mieszadła zgodnie z rysunkiem; zamontuj głowicę wału mieszadła (C) wał (D).

Wskazówki: Obróć go do pierwszej połowy miski i przesunij miskę do wyznaczone miejsce styku z pierścieniem uszczelniającym (B).

1) Wyrównaj głowicę wału miksera z interfejsem wewnątrz miski, naciśnij w dół miski i postępuj zgodnie z poniższymi instrukcjami, aby ponownie zainstalować baterię.

2) Dokładnie nasmaruj połączenia dołączoną wazeliną.

3) Umieść tłok w wyznaczonym położeniu i pchnij uchwyt, aż do oporu. łączy kran.

6.7 Cykl płukania

Przed uruchomieniem maszyny należy ją oczyścić cyklicznie.

Postępuj następująco:

1. Napełnij miskę wodą.
2. Pozostawić maszynę mieszającą na 5 minut.
3. Wyłącz maszynę i otwórz kran, aby wylać wodę z miski.

6.8 Wyczyść skrzynkę wodną

Pojemnik na wodę należy regularnie opróżniać i czyścić.

Podnieś pojemnik na wodę wraz z pokrywką i wyciągnij go.

6.9 Osłona lampy

6.10 Wymiana lampy

Podczas wymiany lampy należy wyłączyć wyłącznik główny i

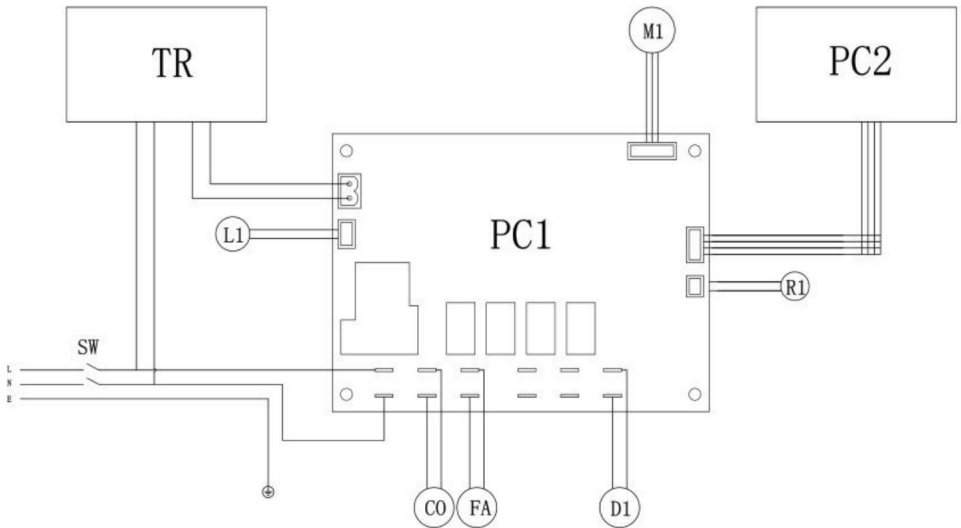
Należy odłączyć zasilanie.

Zdjąć osłonę ochronną i odkręcić śruby pokrywy; użyć odpowiedniego śrubokrętu do obsługi.

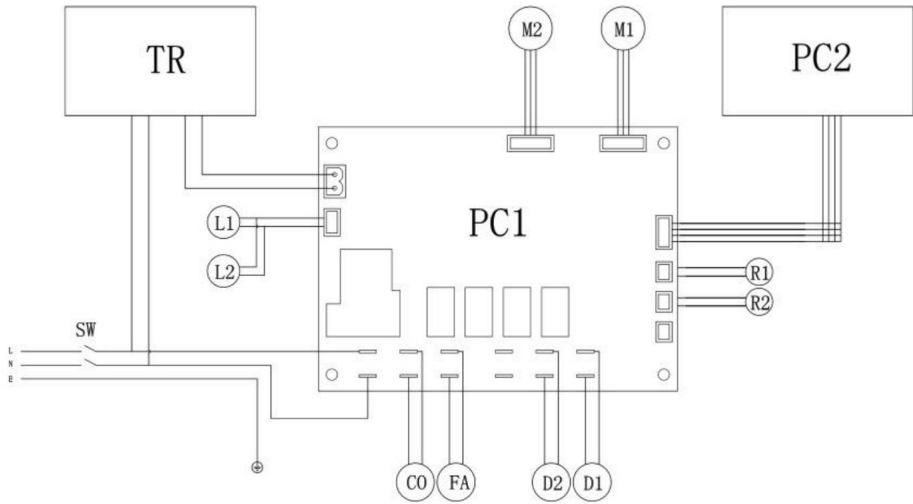
6.11 Regularna konserwacja

- 1) Maszynę należy regularnie konserwować przez profesjonalnych techników (przynajmniej raz w roku).
- 2) Regularne kontrole pozwalają mieć pewność, że wszystkie komponenty są zamontowane na swoim miejscu, a maszyna może pracować bezpiecznie.
- 3) Wszelkie uszkodzone elementy muszą zostać wymienione na oryginalne części.

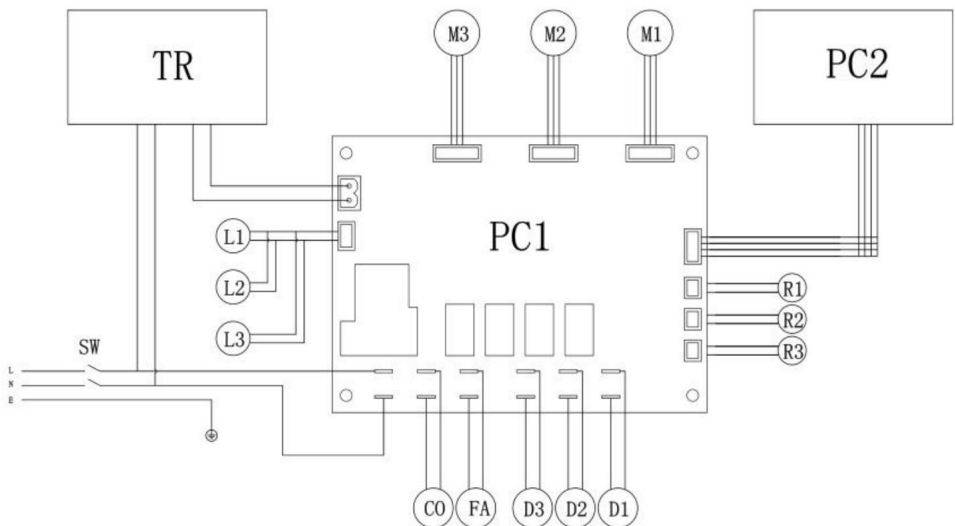
7. Schemat okablowania



Płyta PCI-Vain PC, panel wyświetlacza PC2, przełącznik \$i, sprężarka 00, wentylator FA, transformator 1R, mieszadło LI, oświetlenie LED, czujnik temperatury RI.



PCI-płyta główna, p2-panel wyświetlacza, Sh-Switch, 00-kompresor, FA-wentylator,
TR-Transformator M1/1/%2-Wirujący Whotor, II/12-ED Oświetlenie,
R1/R2-Czujnik temperatury, D1/02-Zawór elektromagnetyczny



Płyta główna PCI, panel wyświetlacza p2, przełącznik SNSwitch, koapresor C0, wentylator FA,
transformator TR M1/1/M2/M3 — sygnalizator mieszania, dioda LED L1/L2/L3
Oświetlenie. R1/R2/R3-Czujnik temperatury, D1/D2/03-Zawór elektromagnetyczny

VEVOR®

TOUGH TOOLS, HALF PRICE

Wsparcie techniczne i certyfikat gwarancji
elektronicznej www.vevor.com/support

VEVOR[®]

TOUGH TOOLS, HALF PRICE

Technische ondersteuning en e-garantiecertificaat www.vevor.com/support

SLUSH-MACHINE

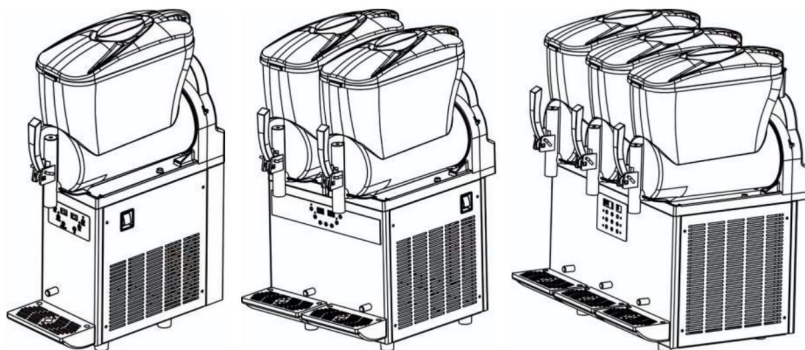
MODEL: XN120B XN240B XN360B

Wij streven er voortdurend naar om u gereedschappen tegen concurrerende prijzen te leveren. "Save Half", "Half Price" of andere soortgelijke uitdrukkingen die wij gebruiken, geven alleen een schatting weer van de besparingen die u kunt behalen door bepaalde gereedschappen bij ons te kopen in vergelijking met de grote topmerken en betekent niet noodzakelijkerwijs dat alle categorieën gereedschappen die wij aanbieden, worden gedekt. Wij herinneren u eraan om zorgvuldig te controleren of u daadwerkelijk de helft bespaart in vergelijking met de grote topmerken wanneer u een bestelling bij ons plaatst.

VEVOR[®]
TOUGH TOOLS, HALF PRICE

SLUSH-MACHINE

MODEL: XN120B XN240B XN360B



HULP NODIG? NEEM CONTACT MET ONS OP!

Heeft u vragen over het product? Heeft u technische ondersteuning nodig? Neem dan gerust contact met

ons op: **Technische ondersteuning en E-garantiecertificaat**

www.vevor.com/support

Dit is de originele instructie, lees alle handleidingen zorgvuldig door voordat u het product gebruikt. VEVOR behoudt zich een duidelijke interpretatie van onze gebruikershandleiding voor. Het uiterlijk van het product is afhankelijk van het product dat u hebt ontvangen. Vergeef ons dat we u niet opnieuw zullen informeren als er technologie- of software-updates voor ons product zijn.



Waarschuwing - Om het risico op letsel te verminderen, moet de gebruiker de volgende informatie lezen:

Lees de gebruiksaanwijzing zorgvuldig door.

LET OP: Wijzigingen of aanpassingen die niet uitdrukkelijk zijn goedgekeurd door de partij die verantwoordelijk is voor de naleving, kan ongeldig zijn de bevoegdheid van de gebruiker om het apparaat te bedienen!

Dit apparaat voldoet aan Deel 15 van de FCC-regels.

De exploitatie is onderworpen aan de volgende twee voorwaarden:

- 1) Dit product kan schadelijke interferentie veroorzaken.
- 2) Dit product moet alle ontvangen interferentie accepteren, inclusief storingen die een ongewenste werking kunnen veroorzaken.

WAARSCHUWING: Wijzigingen of aanpassingen aan dit product zijn niet toegestaan.

uitdrukkelijk goedgekeurd door de partij. verantwoordelijk voor naleving

kan de bevoegdheid van de gebruiker om het product te bedienen ongeldig maken.

Let op: Dit product is getest en voldoet aan de

de limieten voor een digitaal apparaat van klasse B overeenkomstig deel 15 van

de FCC-regels, deze limieten zijn ontworpen om

redelijke bescherming tegen schadelijke interferentie in een residentiële installatie.

Dit product genereert, gebruikt en kan radiogolven uitstralen frequentie-energie, en indien niet geïnstalleerd en gebruikt in volgens de instructies, kan schadelijk zijn

interferentie met radiocommunicatie. Er is echter geen

garanderen dat er geen interferentie zal optreden in een bepaald

installatie. Als dit product schadelijke interferentie veroorzaakt,

radio- of televisieontvangst, die kan worden bepaald door


Door het product uit en aan te zetten, wordt de gebruiker aangemoedigd om het te proberen

om de interferentie door een of meer van de volgende te corrigeren

maatregelen.

- Heroriënteer of verplaats de ontvangstantenne.
- Vergroot de afstand tussen het product en de ontvanger.
- Sluit het product aan op een stopcontact op een ander circuit dan datgene waarop de ontvanger is aangesloten.



	<ul style="list-style-type: none">• Raadpleeg de dealer of een ervaren radio-/tv-technicus voor hulp.
	<p>Dit product is onderworpen aan de bepalingen van de Europese richtlijn 2012/19/EG. Het symbool met een doorgestreepte afvalbak geeft aan dat het product in de Europese Unie gescheiden afvalinzameling vereist. Dit geldt voor het product en alle accessoires die met dit symbool zijn gemarkeerd. Producten die als zodanig zijn gemarkeerd, mogen niet met het normale huishoudelijke afval worden weggegooid, maar moeten worden ingeleverd bij een inzamelpunt voor recycling van elektrische en elektronische apparaten.</p>

Inhoudsopgave

1. Productbeschrijving 1.1.

Productgebruik

1.2. Belangrijkste onderdelen

1.3. Technische parameters

1.4. Beschrijving en functie van het bedieningspaneel

2. Veiligheid

2.1. Veiligheidsregels

2.2. Stopfunctie

3. Bediening en opslag 3.1.

Verpakking 3.2.

Transport en bediening 3.3. Opslag

4. Installatie

4.1. Montageplaats

4.2. Stroomaansluiting

5. Bediening

5.1. Materiaalvoorbereiding 5.2

De slushmachine starten 5.3.

Slushconcentratie aanpassen 5.4.

Slushproductie

5.5. Noodsituatie

6. Reiniging en onderhoud 6.1. Maak

de kom leeg 6.2.

Demonteer de handgripeonderdelen

6.3. Verwijder de kom en het deksel

6.4. De duwbeugel demonteren

6.5. Was en desinfecteer de componenten 6.6.

Monteer de gereinigde onderdelen opnieuw

6.7. Spoelcyclus 6.8.

Reinig de waterbox 6.9.

Lampafdekking 6.10.

Lampvervanging 6.11.

Regelmatig onderhoud

7. Bedradingschema

1. Productbeschrijving

1.1. Productgebruik

Deze machine is geschikt voor het maken van slush en koude dranken. De werking van deze slushmachine moet voldoen aan de huidige normen.

1.2. Belangrijkste onderdelen

De belangrijkste onderdelen van de machine zijn als volgt: volgt:

1. Deksel van de kom

2. Kom

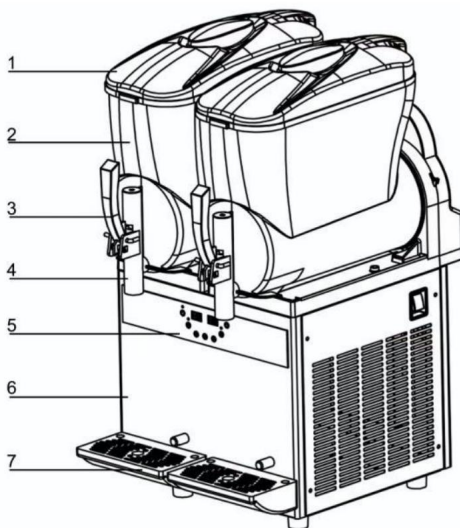
3. Afvoersleutel 4.

Afvoerpoort 5.

Bedieningspaneel

6. Chassis 7.

Waterbak



1.3. Technische parameters

Model: zie het typeplaatje

Maat: zie het typeplaatje

Maximaal uitgangsvermogen (watt): zie het typeplaatje

Bedrijfsspanning (volt): zie het typeplaatje aan de zijkant van de machine

Bedrijfstemperatuurbereik: van 5 graden tot 32 graden

Komnummer: 1/2/3

Capaciteit enkele kom (L): 12

Geluidsdrukniveau: minimaal 65 dB

Cijfer: N

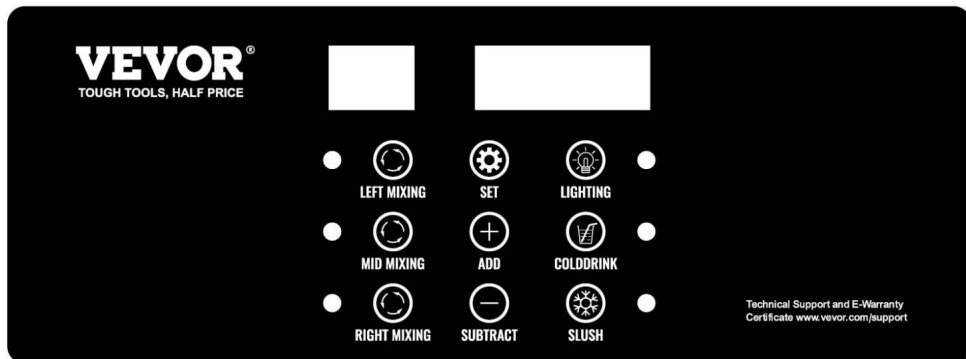
*

Tip: De fabriek behoudt zich het recht voor om de machine zonder voorafgaande toestemming te wijzigen.

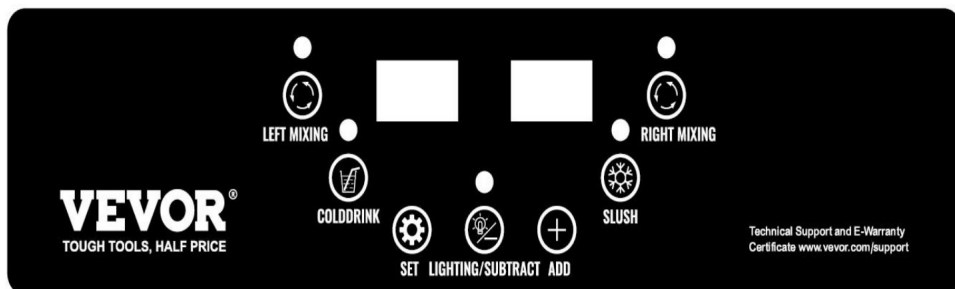
1.4 Beschrijving en functie van het bedieningspaneel

1.4.1 Paneeldiagram:

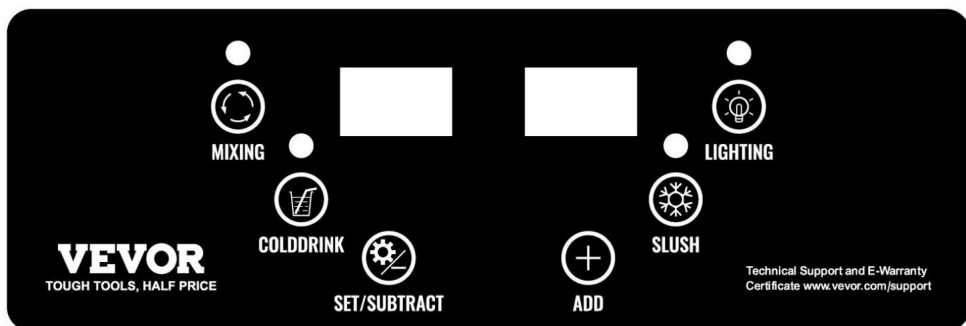
MODEL: XN360B



MODEL: XN240B



MODEL: XN120B



Modelcode		Fabriek Instelling	Betekenis
XN120B	<small>AFBEELDING 1</small>	-2,0ÿ	Sneeuwtemperatuur
	CD1	5,0ÿ	Temperatuur van koude drank
XN240B	<small>AFBEELDING 1</small>	-2,0ÿ	Slushtemperatuur voor linkerkom
	SL2	-2,0ÿ	Slushtemperatuur voor de rechterkom
	CD1	5,0ÿ	Temperatuur van koude drank voor linkerkom
	Cd2	5,0ÿ	Koude dranktemperatuur voor de rechterkom
XN360B	S1	-2,0ÿ	Slushtemperatuur voor de linkerkom
	S2	-2,0ÿ	Slushtemperatuur voor middelste kom
	S3	-2,0ÿ	Slushtemperatuur voor de rechterkom
	C1	5,0ÿ	Koude dranktemperatuur voor de linkerkom
	C2	5,0ÿ	Koude dranktemperatuur voor middelste kom
	C3	5,0ÿ	Temperatuur van koude drank voor de rechterkom

Code	Fabrieksinstelling	Betekenis
P00	0,2 (graden)	Temperatuurverschil in de sneeuwval waarde
P01	0 (graden)	De maximale insteltemperatuur
P02	-15,0 (graden)	De minimale insteltemperatuur
P03	10 (Minuten)	Persbeschermingstijd
P04	110V:85(V) 220V:185(V)	Lage spanningsbeveiligingswaarde
P05	1 (0: Uitschakelen 1: Inschakelen)	Spanningsbeveiliging ingeschakeld
P06	0,0	# 1 komtemperatuurcorrectie
P07	0,0	# 2 komtemperatuurcorrectie
P08	0,0	# 3 komtemperatuurcorrectie
P09	2.0 (graden)	Temperatuurverschil van koude drank waarde

1.4.2 Inleiding van functie en set

(Model: XN120B)

1. Druk op de toets "Mixer", zet de mixfunctie aan, het mixlampje brandt. Druk op Druk nogmaals op de toets "Mixer" om de mixfunctie uit te schakelen.
2. Druk op de toets "Koud drankje" (de mengfunctie moet ingeschakeld zijn, anders de Koude Drink-toets werkt niet), zet de koude drankfunctie aan en koude dranklampje brandt (de compressor staat aan) of het koude dranklampje knippert (compressor is uitgeschakeld), druk vervolgens nogmaals op de toets "Koud drankje" om het menu te sluiten de koude drankfunctie.
3. Druk op de toets "Slush" (de mengfunctie moet ingeschakeld zijn, anders wordt het mengsel niet goed gemengd). Slush-toets werkt niet) om de slush-functie te openen, en het slush-lampje brandt (de compressor is ingeschakeld) of het slush-lampje knippert (de compressor is uitgeschakeld) en druk vervolgens nogmaals op de toets "Slush" om de slushfunctie te sluiten.
4. Druk op de toets "Verlichting" om het licht aan te zetten, en druk vervolgens nogmaals op de toets "Verlichting" om het licht uit te zetten.
5. Druk op de "Set"-toets, voer de gebruikersparameterinstellingsstatus in. Druk op dit moment op de "Set"-toets om het instellingsobject te wijzigen, druk op de "Subtract(-)"-toets en de toets "Add(+)" om de waarde te wijzigen. Na 5 seconden zonder bediening Als u op de toets drukt, wordt het systeem automatisch afgesloten en worden de ingestelde waarden opgeslagen.
6. Houd de toetsen "Aftrekken(-)" en "Optellen(+)" 5 seconden lang tegelijkertijd ingedrukt tijd om de fabrieksparameterinstellingsmodus te openen, druk op de toets "Verlichting" Om het object te wijzigen, drukt u op de toets "Aftrekken(-)" en de toets "Toevoegen(+)" om het object te wijzigen. de waarde. Het systeem zal automatisch afsluiten en de parameters opslaan nadat 5 seconden zonder dat er toetsen worden ingedrukt.

(Model: XN240B)

1. Druk op de knop "Links mixen", schakel de linker mixfunctie in, het linker mixlampje gaat branden. Druk nogmaals op de toets "Links mixen" om de links mixfunctie uit te schakelen.
2. Druk op de toets "Rechts mengen", schakel de rechtermengfunctie in, rechtermenglampje is ingeschakeld. Druk nogmaals op de toets "Right Mixing" om de right mixing-functie uit te schakelen.
3. Druk op de toets "Koud drankje" (er moet een mengfunctie zijn ingeschakeld, anders werkt de toets Koud drankje niet), schakel de functie Koud drankje in en het lampje voor koud drankje brandt (de compressor staat aan) of het lampje voor koud drankje brandt

knippert (compressor is uitgeschakeld), druk vervolgens opnieuw op de toets "Cold Drink" om de koude drankfunctie te sluiten.

4. Druk op de toets "Slush" (er moet een mengfunctie zijn ingeschakeld, anders de Slush-toets werkt niet) om de slush-functie te openen, en het slush-lampje is aan (de compressor is ingeschakeld) of het slush-lampje knippert (de compressor is uitgeschakeld) en druk vervolgens nogmaals op de toets "Slush" om de slushfunctie te sluiten.

5. Druk op de toets "Verlichting" om het licht aan te zetten, en druk vervolgens nogmaals op de toets "Verlichting" om het licht uit te zetten.

6. Druk op de "Set"-toets, voer de gebruikersparameterinstellingsstatus in. Druk nu op de "Set"-toets om het instellingsobject te wijzigen, druk op de "Subtract(-)"-toets en "Add(+)"-toets om de waarde te wijzigen. Na 5 seconden zonder de toets te bedienen, Het systeem wordt automatisch afgesloten en de ingestelde waarde wordt opgeslagen.

7. Houd de "Set"-toets en de "Add(+)"-toets tegelijkertijd 5 seconden ingedrukt om Ga naar de fabrieksparameterinstellingsmodus en druk op de "Set"-toets om te wijzigen het object, druk op de toets "Aftrekken(-)" en "Optellen(+)" om de waarde te wijzigen. Het systeem zal na 5 seconden automatisch afsluiten en de parameters opslaan zonder enige toetsbediening.

(Model: XN360B)

1. Druk op de knop "Links mengen", schakel de linker mengfunctie in, het linker menglampje gaat branden. Druk nogmaals op de toets "Links mixen" om de links mixfunctie uit te schakelen.

2. Druk op de toets "Mid Mixing", schakel de mid-mixfunctie in, het mid-mixlampje brandt aan. Druk nogmaals op de toets "Mid Mixing" om de mid-mixfunctie uit te schakelen.

3. Druk op de toets "Rechts mengen", schakel de rechtermengfunctie in, rechtermenglampje is ingeschakeld. Druk nogmaals op de toets "Right Mixing" om de right mixing-functie uit te schakelen.

4. Druk op de toets "Koud drankje" (er moet een mengfunctie zijn ingeschakeld, anders werkt de toets Koud drankje niet), schakel de functie voor koud drankje in en het lampje voor koud drankje brandt (de compressor staat aan) of het lampje voor koud drankje brandt knippert (compressor is uitgeschakeld), druk vervolgens opnieuw op de toets "Cold Drink" om de koude drankfunctie te sluiten.

5. Druk op de toets "Slush" (er moet een mengfunctie zijn ingeschakeld, anders de Slush-toets werkt niet) om de slush-functie te openen, en het slush-lampje is aan (de compressor is ingeschakeld) of het slush-lampje knippert (de compressor is

uitgeschakeld) en druk vervolgens nogmaals op de Slush-toets om de slush-functie te sluiten.

6. Druk op de toets "Verlichting" om het licht aan te zetten, en druk vervolgens nogmaals op de toets "Verlichting" om het licht uit te zetten.

7. Druk op de "Set"-toets, voer de gebruikersparameterinstellingsstatus in. Druk op dit moment op de "Set"-toets om het instellingsobject te wijzigen, druk op de "Subtract(-)"-toets en de toets "Add(+)" om de waarde te wijzigen. Na 5 seconden zonder bediening

Als u op de toets drukt, wordt het systeem automatisch afgesloten en worden de ingestelde waarden opgeslagen.

8. Houd de toetsen "Aftrekken(-)" en "Optellen(+)" 5 seconden lang tegelijkertijd ingedrukt tijd om de fabrieksparameterinstellingsmodus te openen, druk op de "Set"-toets om verander het object, druk op de toets "Aftrekken(-)" en "Toevoegen(+)" om het object te veranderen waarde. Het systeem zal automatisch afsluiten en de parameters opslaan na 5 seconden zonder dat er toetsen worden ingedrukt.

Let op: als het apparaat goed werkt, mag u de fabrieksinstellingen niet wijzigen.

1.4.3 Alarmcode Beschrijving

1) "- -": Er wordt een bevroren komalarm afgegeven en de compressor en motor stoppen werken en na 10 minuten automatisch hervatten.

2) "RH": alarm voor storing temperatuursensor. Stop met koelen in koude drank functiestatus zonder de slushfunctie te beïnvloeden.

3) "LLL": laagspanningsalarm, de hele machine stopt. Schakel de stroom uit en controleer de stroomvoorziening. Start de machine opnieuw op nadat de spanning stabiel is. Als het Als "LLL" vaak wordt weergegeven, raden wij u aan een spanningsstabilisator aan te sluiten.

2. Veiligheid

2.1 Algemene veiligheidsregels

1. Lees de volledige handleiding zorgvuldig door

2. Het netsnoer moet voldoen aan de lokale veiligheidsnormen

3. Het netsnoer en de stekker moeten voldoen aan de afmetingen van de parameters op het typeplaatje van de machine, correct geaard en gekoppeld met toepasselijke schakelaars en stroomonderbrekers. Bedien de machine nooit in de buurt van onvlambare of explosieve voorwerpen. • Geen technische wijzigingen aan de machine aanbrengen.

- Spoel de machine niet af met water
- Zorg ervoor dat u de instructies voor het bedienen van de machine opvolgt. • Monteer de machine niet op andere apparaten.
- Niet wassen met benzeen of andere opgeloste stoffen.
- Blokkeer nooit de ventilatieopeningen aan de zijkant van het apparaat.

Voordat u de machine schoonmaakt, moet u ervoor zorgen dat de machine is schoongemaakt. losgekoppeld van de stroom.

De machine moet worden gerepareerd door ons servicecentrum of een opgeleide technicus.

* **Schade als gevolg van onjuist gebruik maakt onze garantie ongeldig en de De fabriek is niet aansprakelijk voor persoonlijk letsel of eigendommen schade.**

2.2. Stopfunctie

Zet de hoofdschakelaar uit om de machine te stoppen.

3. Bediening en opslag

Alle in Hoofdstuk 4 beschreven handelingen moeten door vakmensen worden uitgevoerd verantwoordelijk voor het transporteren/verwerken van verpakte of onverpakte producten. Zorg ervoor dat u de juiste uitrusting gebruikt, afhankelijk van de aard en het gewicht van de goederen, alsmede de relevante bepalingen van de plaatselijke regelgeving.

3.1. Verpakking

De te verzenden goederen worden aan de binnenkant verpakt en vastgezet met schuim en aan de buitenkant met karton of houten kisten.

3.2. Transport en behandeling

Indien er fysieke werkzaamheden nodig zijn, dienen deze door minimaal twee personen te worden uitgevoerd. mensen.

- 1) De machine moet omhoog blijven tijdens het verplaatsen.
- 2) Let op de verpakking en uitstekende delen.

3.3. Opslag

De machine moet worden gereinigd en gedesinfecteerd voordat deze in de fabriek wordt geplaatst. magazijn.

Als de machine gedurende langere tijd niet wordt gebruikt, moeten er beschermende maatregelen worden genomen genomen voor de plaatsingslocatie en opslagtijd:

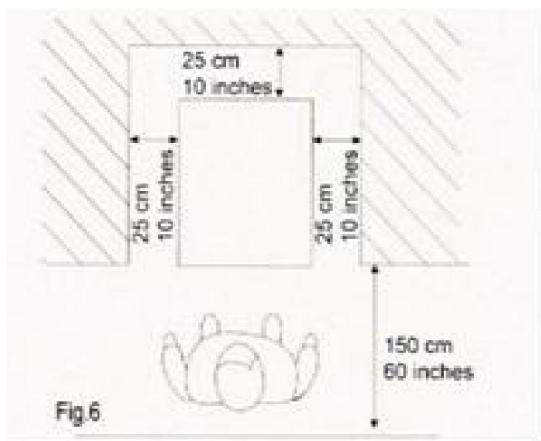
- 1) De machine moet in een afgesloten ruimte worden geplaatst.
- 2) Zorg dat de machine niet wordt geraakt of bekneld raakt.
- 3) De machine moet op een koele en droge plaats worden geplaatst, niet blootgesteld aan vocht en hoge temperatuur.
- 4) Houd de machine uit de buurt van bijtende stoffen.

4. Installatie

De machine moet worden geïnstalleerd in een lichte, goed geventileerde ruimte met een harde ondergrond. stevige vloer.

4.1 Montageplaats

1. De vloer waarop de machine wordt gemonteerd, moet stevig en vlak zijn.
2. De ruimte moet licht, goed geventileerd en schoon zijn.
3. Er moet voldoende ruimte zijn om onbeperkte werking mogelijk te maken en voor noodgevallen. *TIP: Laat 25 cm (10 inch) ruimte aan de bovenkant van de kom.



* Voordat u de machine voor de eerste keer gebruikt, moeten alle onderdelen worden schoongemaakt en moeten de onderdelen die in contact komen met de sneeuw voorzichtig worden behandeld voor meer details, lees het relevante gedeelte.

4.2. Stroomaansluiting

Zorg ervoor dat de hoofdschakelaar op "0" staat voordat u

je sluit aan.

Waarschuwing: Het stopcontact moet op een gemakkelijk toegankelijke plaats worden geplaatst door de gebruiker.

5. Bediening

5.1. Materiaalvoorbereiding

Giet het materiaal in de kom wanneer de machine is uitgeschakeld en niet onder spanning staat.

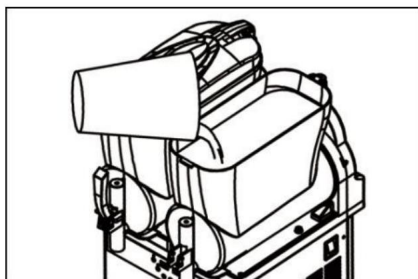
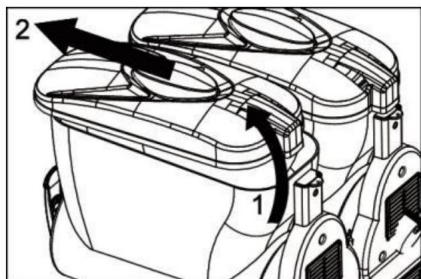
Waarschuwing: Het minimale suikergehalte mag niet lager zijn dan 13%, omdat concentratie kan de machine beschadigen.

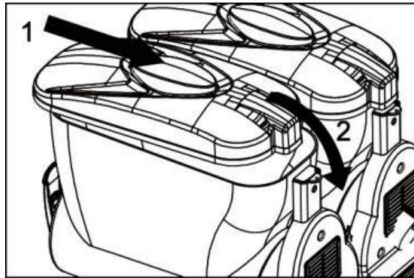
Verwijder het deksel van de kom volgens de volgende instructies:

1. Til de achterkant van het deksel op.
2. Verwijder het deksel van de voorste houder.
3. Nadat er materiaal aan de kom is toegevoegd, moet het deksel op de kom worden geplaatst rug.

Waarschuwing:

- 1) Open het deksel niet met geweld.
 - 2) Voeg nooit vloeistof toe die warmer is dan 25 graden Celsius.
 - 3) Let er bij het voeden van de voerbak op dat u de maximale limiet niet overschrijdt en moet de mengeras overschrijden.
 - 4) Schakel het apparaat niet in als het deksel niet op zijn plaats zit.
- Schakel het apparaat uit en haal de stekker uit het stopcontact voordat u het deksel verwijdert.
- 5) Schakel het apparaat uit en haal de stekker uit het stopcontact voordat u onderdelen verwijdert de kom





5.2. De slushmachine starten

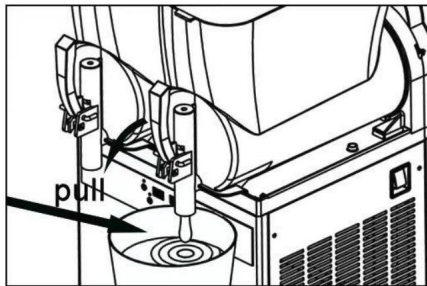
Zie 1.4. Beschrijving en functie van het bedieningspaneel.

5.3. Aanpassing van de slushconcentratie

Zie 1.4.2 om parameters in te stellen; de grotere positie komt overeen met dikkere sneeuwbril.

5.4. Slushproductie

Trek aan de hendel om de sneeuw te produceren.



Als de machine niet continu wordt gebruikt, zijn de volgende handelingen vereist:
vereist in het geval van zuivelproducten:

- 1) Sduit water op de kraan en de omgeving.
(Gebruik tegelijkertijd een schone doek om te desinfecteren.)
- 2) Voordat u slush voor de klant maakt, gebruikt u een kleine hoeveelheid product om eerst te proberen.

5.5 Noodsituaties

- 1) In extreme noodgevallen zet u de hoofdschakelaar op "0" om de machine.

2) Als de machine vastzit, zet u de machine uit en neemt u contact op met de serviceafdeling, centrum of een professionele technicus.

6. Reiniging en onderhoud

Vóór elke reiniging en elk onderhoud van de externe componenten van de machine, zorg ervoor dat de hoofdschakelaar op stand "0" staat en de De machine is niet aangesloten.

Voor reiniging en onderhoud volgt u deze instructies:

1. Trek beschermende handschoenen aan.
2. Gebruik nooit oplosbare en explosieve materialen.
3. Wanneer de machine is ingeschakeld en de hoofdschakelaar op stand "1" staat, is schoonmaken verboden.

6.1 Maak de kom leeg

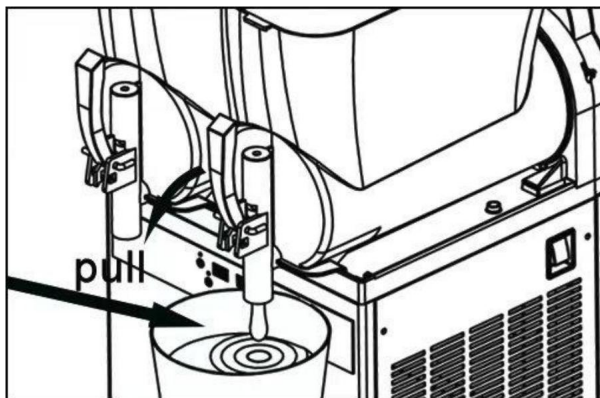
Voordat u de kom schoonmaakt, verwijdert u eerst alle eerder voorbereide resten materiaal.

6.2. Demonteer de handgreepdelen

Demonteer de hendel van de machine niet als er materiaal of andere vloeistof in de kom.

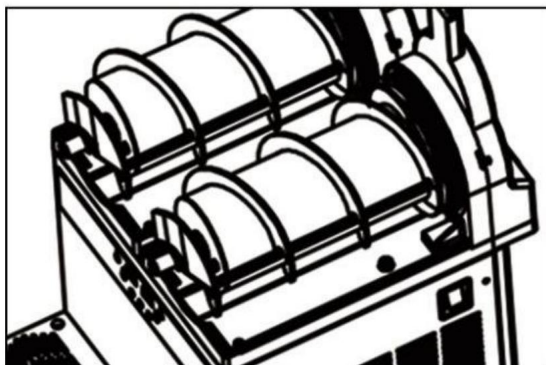
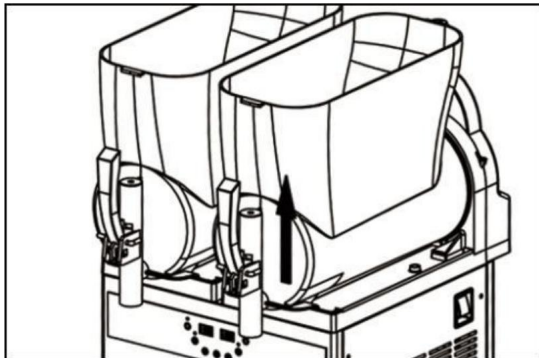
6.3 Verwijder de kom en het deksel

Verwijder elke kom om ervoor te zorgen dat de machine netjes en schoon is.



Verwijder de kom als volgt:

1. Verwijder het deksel zoals aangegeven in de afbeelding.
2. Til het voorste deel van de kom omhoog om het los te maken.
3. Duw en draai voorzichtig aan de achterkant om de kom te verwijderen.
4. Haal de mixeras eruit en verwijder de afdichtring.



6.4 Duwhandgreep demonteren

1. Plaats de kom op een glad oppervlak zodat u de kraan er gemakkelijk af kunt halen.
Trek de "U" naar u toe en duw met uw andere hand tegen de kraan.
2. Ontgrendel de veer, houd deze ingedrukt, duw hem horizontaal en laat hem vervolgens los.
3. Draai de stang los van de kraan.
4. Houd de twee rubberen flenzen vast en haal het rode rubber ervan af.

Alle onderdelen moeten worden gewassen met heet water en zeep en volledig aan de lucht worden gedroogd voordat ze worden gebruikt.
opnieuw in elkaar gezet.

6.5. Was en desinfecteer de componenten

Alle eerder verwijderde onderdelen moeten grondig gereinigd en ontsmet worden.

Belangrijke opmerking: Desinfectieprocedures moeten voldoen aan de machinerichtlijnen. bedieningsrichtlijnen.

Volg de onderstaande instructies om een goede desinfectie te garanderen:

1. Giet de antiseptische oplossing in de container (2% natrium hypochloriet gemengd met water).
2. Was de kom, het deksel en de verdamer grondig af met een vochtige spons.
3. Grondig schoonmaken met water.
4. Giet het ontsmettingsmiddel in een andere bak.
5. Dompel de gedemonteerde onderdelen in het ontsmettingsmiddel.
6. Laat de onderdelen 30 minuten weken in ontsmettingsmiddel.
7. Spoel nogmaals grondig met water.
8. Laat de onderdelen op een schone plaats aan de lucht drogen.
9. Monteer alles weer zoals beschreven in paragraaf 6.5.
10. Spoel het apparaat grondig af met water voordat u het gebruikt.

Let op: Dompel het deksel met de lamp niet onder in een oplossing.

het deksel reinigen en ontsmetten, verwijder het deksel zoals beschreven in de vorige sectie. Om de lampenkap goed schoon te maken, volgen deze stappen moet worden gevolgd:

1. Veeg de onderkant van het deksel (het deel dat in contact komt met de machine) schoon met een schone, vochtige doek.
 2. Veeg de buitenkant van het apparaat schoon met een schone, vochtige doek.
 3. Gebruik een spons gedrenkt in ontsmettingsmiddel om de onderkant van het deksel te ontsmetten. Zorg ervoor dat het deksel niet nat wordt als het in aanraking komt met de machine.
 4. Laat het apparaat 30 minuten werken.
 5. Spoel twee keer of vaker. Alleen de onderkant van het deksel hoeft te worden afgeveegd met spons met schoon water.
 6. Leg het deksel op een schoon, vlak oppervlak om te drogen. Droog eerst de onderkant en veeg de buitenste delen met een schone doek.
 7. Plaats het deksel terug nadat de kom is schoongemaakt en gedesinfecteerd.
- Maak het apparaat nooit schoon als het deksel erop zit.

6.6 Monteer de gereinigde onderdelen weer

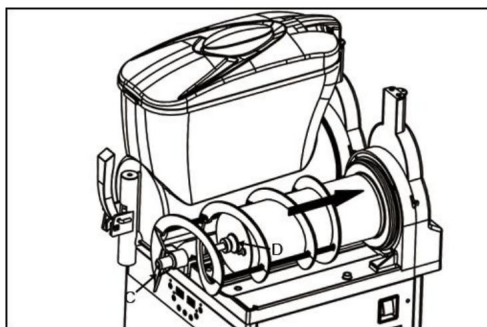
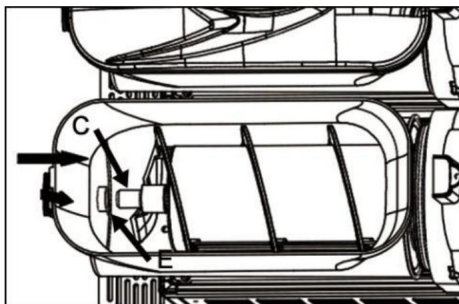
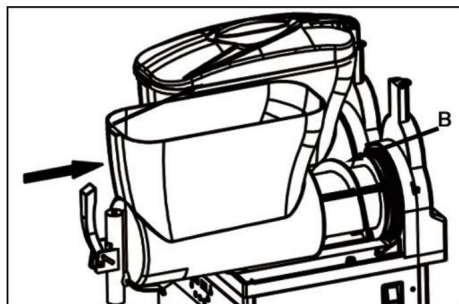
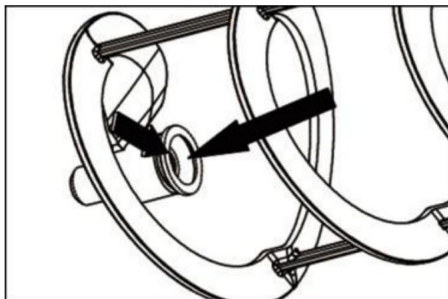
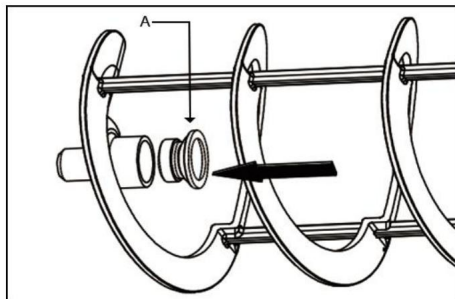
Alle gereinigde en gedesinfecteerde componenten moeten zorgvuldig opnieuw worden geïnstalleerd en componenten moeten volledig gesmeerd zijn om de machine beter te laten werken efficiënt.

Maak de schaal en het rooster apart schoon met warm water.

Droog alle onderdelen.

Plaats het rooster terug op de bakplaat.

Monteer de afdichting van de mixeras zoals afgebeeld.



Belangrijke opmerking: Controleer altijd de integriteit van de afdichtring. Als de afdichtring als het kapot is, moet het vervangen worden door een nieuw exemplaar.

Gebruik de meegeleverde vaseline om de afdichtring op de afgebeelde plaats te smeren.

Installeer de mengas zoals afgebeeld; monteer de kop van de mengas (C) om de schacht (D).

Tips: Draai het in de eerste helft van de kom en duw de kom naar de aangewezen positie in contact met de afdichtring (B).

- 1) Lijn de kop van de mixeras uit met de interface in de kom, druk in de kom en volg de onderstaande instructies om de kraan opnieuw te installeren.
- 2) Smeer de verbindingen volledig in met de meegeleverde vaseline.
- 3) Plaats de zuiger in de aangegeven positie en duw de hendel totdat deze sluit de kraan aan.

6.7 Spoelcyclus

Voordat u de machine start, moet deze periodiek worden gereinigd.

Ga als volgt te werk:

1. Vul de kom met water.
2. Laat de machine 5 minuten roeren.
3. Schakel het apparaat uit en open de kraan om het water in de kom weg te gieten.

6.8 Maak de waterbox schoon

De waterbak moet regelmatig geleegd en schoongemaakt worden.

Trek de waterbak met het deksel omhoog en trek hem er vervolgens uit.

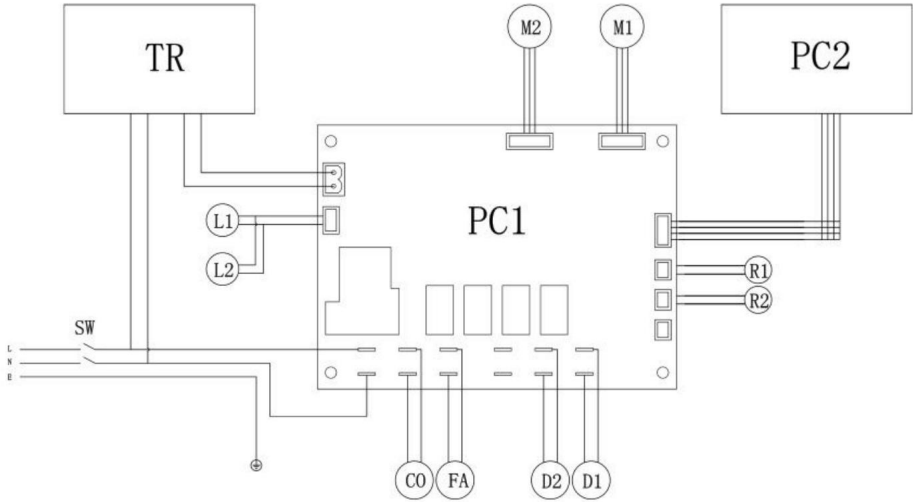
6.9 Lampenkap

6.10 Lamp vervangen

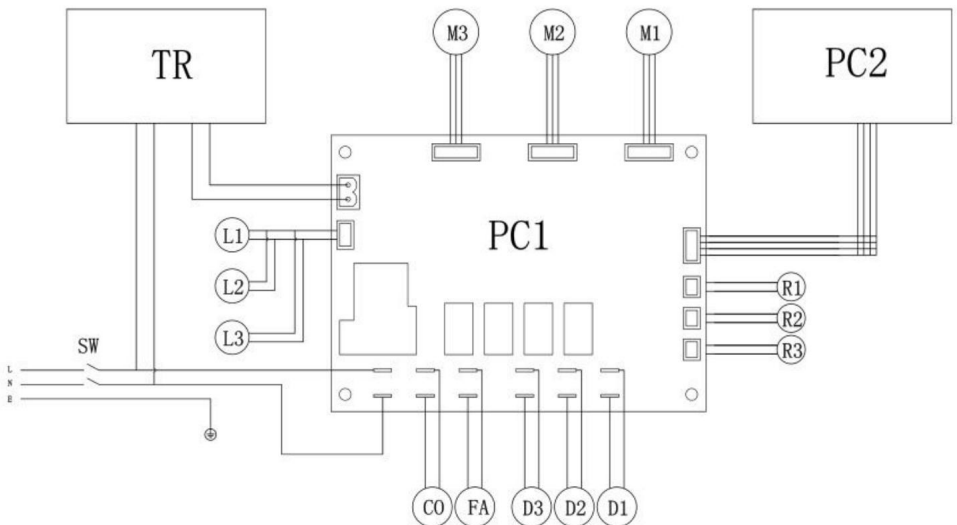
Bij het vervangen van de lamp moet de hoofdschakelaar worden uitgeschakeld en de

De stroom moet worden losgekoppeld.

Verwijder de beschermkap en draai de schroeven van het deksel los; gebruik hiervoor geschikte schroevendraaier om te bedienen.



PCI-hoofdprintplaat, p2-displaypaneel, Sh-schakelaar, 00-compressor, FA-ventilator, TR-Transformator M1/1/%2-Roer-Hotor, II/I2-ED-verlichting, R1/R2-Temperatuursensor, DI/02-Solenoïdeklep



PCI-hoofdprintplaat, p2-displaypaneel, SNSwitch, CO-copressor, FA-ventilator, TR-transformator M1/1/M2/M3-roerapparaat, L1/L2/L3-LED Verlichting. R1/R2/R3-Temperatuursensor, DI/D2/03-Solenoïdeklep

VEVOR[®]

TOUGH TOOLS, HALF PRICE

Technische ondersteuning en e-
garantiecertificaat www.vevor.com/support

VEVOR[®]

TOUGH TOOLS, HALF PRICE

Teknisk support och e-garanticertifikat www.vevor.com/support

SLUSH MASKIN

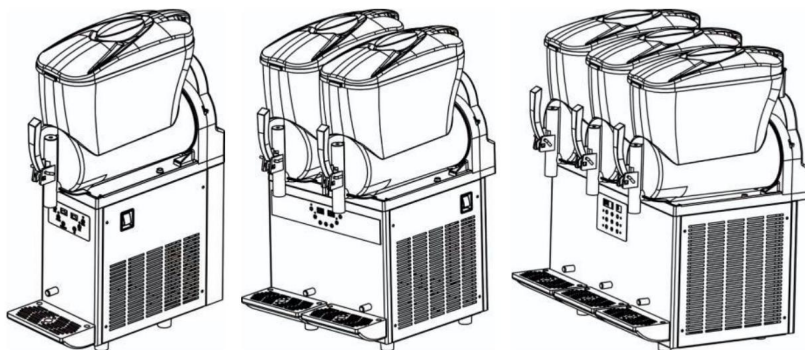
MODELL: XN120B XN240B XN360B

Vi fortsätter att vara engagerade i att ge dig verktyg till konkurrenskraftiga priser. "Spara hälften", "halva priset" eller andra liknande uttryck som används av oss representerar bara en uppskattning av besparingar du kan dra nytta av att köpa vissa verktyg hos oss jämfört med de stora toppmärkena och betyder inte nödvändigtvis att täcka alla kategorier av verktyg som erbjuds av oss. Du påminns om att noggrant kontrollera när du gör en beställning hos oss om du verkligen sparar hälften i jämförelse med de främsta varumärkena.

VEVOR[®]
TOUGH TOOLS, HALF PRICE

SLUSH MASKIN

MODELL: XN120B XN240B XN360B



BEHÖVER HJÄLP? KONTAKTA OSS!

Har du produktfrågor? Behöver du teknisk support? Kontakta oss gärna: **Teknisk support och e-**

garanticertifikat www.vevor.com/support

Detta är den ursprungliga instruktionen, läs alla instruktioner noggrant innan du använder den. VEVOR reserverar sig för en tydlig tolkning av vår användarmanual. Utseendet på produkten är beroende av den produkt du fått. Ursäkta oss att vi inte kommer att informera dig igen om det finns någon teknik eller mjukvaruuppdateringar på vår produkt.



Varning - För att minska risken för skada måste användaren läsa bruksanvisningen noggrant.

WARNING: Ändringar eller modifieringar inte uttryckligen godkänd av den part som ansvarar för efterlevnaden kan ogiltigförklaras användarens behörighet att använda utrustningen!

Denna enhet uppfyller del 15 av FCC-reglerna.

Driften är föremål för följande två villkor:

- 1) Denna produkt kan orsaka skadliga störningar.
- 2) Denna produkt måste acceptera alla mottagna störningar, inklusive störningar som kan orsaka oönskad funktion.


WARNING: Ändringar eller modifieringar av denna produkt inte uttryckligen godkänt av den part som ansvarar för efterlevnaden kan ogiltigförklara användarens behörighet att använda produkten.

Obs: Denna produkt har testats och befunnits överensstämma med gränserna för en digital enhet av klass B enligt del 15 av FCC-reglerna, Dessa gränser är utformade för att tillhandahålla rimligt skydd mot skadlig störning i en bostadsinstallation.

Denna produkt genererar, använder och kan utstråla radio frekvensenergi, och om den inte installeras och används i i enlighet med instruktionerna, kan orsaka skadliga störningar på radiokommunikation. Det finns dock ingen garantera att störningar inte kommer att inträffa i en viss installation. Om denna produkt orsakar skadliga störningar till radio- eller tv-mottagning, som kan bestämmas av stänger av och sätter på produkten uppmantras användaren att prova för att korrigera störningen med ett eller flera av följande åtgärder.

- Rikta om eller flytta mottagningsantennen.
- Öka avståndet mellan produkten och mottagaren.
- Anslut produkten till ett uttag på en annan krets än det som mottagaren är ansluten till.



	<ul style="list-style-type: none">• Kontakta återförsäljaren eller en erfaren radio-/TV-tekniker för hjälp.
	<p>Denna produkt omfattas av bestämmelserna i det europeiska direktivet 2012/19/EC. Symbolen som visar en soptunna korsad anger att produkten kräver separat sophämtning i EU. Detta gäller för produkten och alla tillbehör märkta med denna symbol. Produkter märkta som sådana får inte slängas tillsammans med vanligt hushållsavfall, utan måste lämnas till en insamlingsplats för återvinning av elektriska och elektroniska apparater</p>

Innehållsförteckning

1. Produktbeskrivning 1.1.

Produktanvändning

1.2. Huvuddelar

1.3. Tekniska parametrar

1.4. Kontrollpanelens beskrivning och funktion

2. Säkerhet

2.1. Säkerhetsregler

2.2. Stoppfunktion

3. Drift och förvaring 3.1.

Förpackning 3.2.

Transport och drift 3.3. Lagring

4. Installation

4.1. Monteringsplats

4.2. Strömanslutning

5. Drift 5.1.

Materialförberedelse 5.2 Starta

Slush Machine 5.3. Justering av

slaskkoncentration 5.4. Slush Produktion

5.5. Nödsituation

6. Rengöring och underhåll 6.1. Töm

skålen 6.2. Ta isär

handtagsdelarna

6.3. Ta bort skålen och locket

6.4. Ta isär tryckhandtaget

6.5. Tvätta och desinficera komponenterna 6.6. Återmontera

de rengjorda delarna 6.7. Sköljcykel 6.8. Rengör

vattenlådan 6.9.

Lampskydd 6.10. Lampbyte 6.11.

Regelbundet underhåll

7. Kopplingsschema

1. Produktbeskrivning

1.1. Produktanvändning

Denna maskin är lämplig för att göra slush och kalla drycker, och driften av denna slushmaskin måste följa gällande standarder.

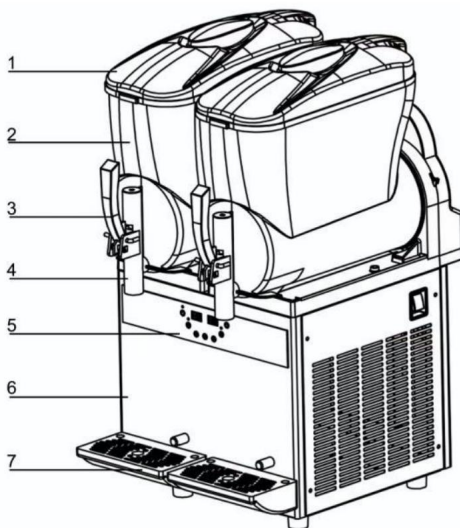
1.2. Huvuddelar

Maskinens huvudkomponenter

är som

följer:

1. Skållock
2. Skål
3. Urladdningsnyckel 4.
Urladdningsport 5.
- Kontrollpanel
6. Chassi
7. Vattenbricka



1.3. Tekniska parametrar

Modell: se namnskylten

Storlek: se namnskylten

Maximal uteffekt (watt): se typskylten

Driftspänning (volt): Se typskylten på sidan av maskinen

Omgivningstemperaturområde för drift: från 5 grader till 32 grader

Skålnummer: 1/2/3

Enskålskapacitet (L):12

Ljudtrycksnivå: minimum 65 dB

Betyg: N

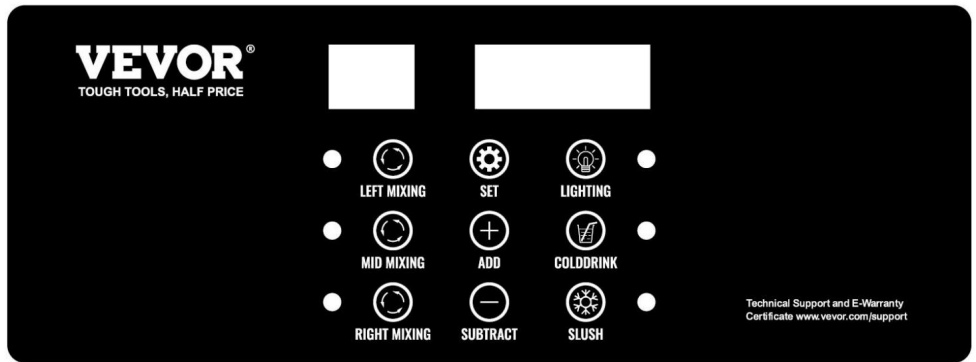
*

Tips: Fabriken förbehåller sig rätten att ändra maskinen utan uppmaning.

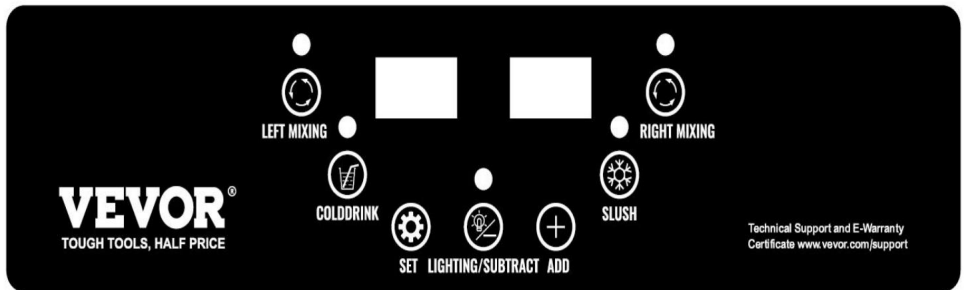
1.4 Kontrollpanelens beskrivning och funktion 1.4.1

Paneldiagram:

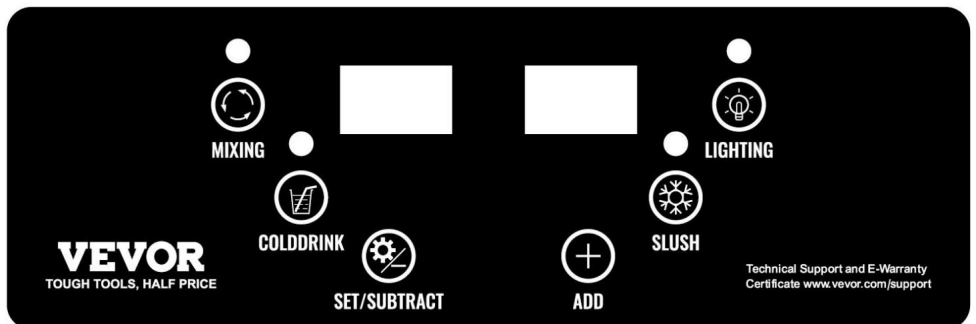
MODELL: XN360B



MODELL: XN240B



MODELL: XN120B



Modellkod		Fabrik Miljö	Menande
XN120B	FIG. 1	-2,0 ¨	Slasktemperatur
	Cd1	5,0 ¨	Kall dryck temperatur
XN240B	FIG. 1	-2,0 ¨	Slamtemperatur för vänster skål
	SL2	-2,0 ¨	Slamtemperatur för höger skål
	Cd1	5,0 ¨	Kall dryckstemperatur för vänster skål
	Cd2	5,0 ¨	Kall dryckstemperatur för höger skål
XN360B	S1	-2,0 ¨	Slamtemperatur för vänster skål
	S2	-2,0 ¨	Slamtemperatur för mellanskålen
	S3	-2,0 ¨	Slamtemperatur för höger skål
	C1	5,0 ¨	Kall drinktemperatur för vänster skål
	C2	5,0 ¨	Kall dryckstemperatur för mellanskålen
	C3	5,0 ¨	Kall dryckstemperatur för höger skål

Koda	Fabriksinställning	Menande
P00	0,2 (grader)	Slamtemperaturreturskillnad värde
P01	0 (grader)	Den maximala inställda temperaturen
P02	-15,0 (grader)	Den lägsta inställda temperaturen
P03	10 (minuter)	Pressskyddstid
P04	110V:85(V) 220V:185(V)	Lågspänningsskyddsvärde
P05	1 (0: Inaktivera 1: Aktivera)	Spänningsskydd aktiverat
P06	0,0	# 1 skåltemperaturkorrigering
P07	0,0	# 2 skål temperaturkorrigering
P08	0,0	# 3 skål temperaturkorrigering
P09	2,0 (grader)	Kall dryck temperatur retur skillnad värde

1.4.2 Introduktion av funktion och inställning

(Modell: XN120B)

1. Tryck på "Mixing"-knappen, slå på mixningsfunktionen, mixerlampan är tänd. Trycka "Mixing"-tangenter igen för att stänga av mixningsfunktionen.
2. Tryck på knappen "Kall dryck" (blandningsfunktionen måste vara påslagen, annars Kall dryck-tangenten fungerar inte), slå på funktionen för kall dryck och kall dryckeslampan lyser (kompressorn är påslagen) eller lampan för kall dryck blinkar (kompressorn är avstängd), tryck sedan på knappen "Kall dryck" igen för att stänga funktionen för kall dryck.
3. Tryck på "Slush"-knappen (mixningsfunktionen måste vara påslagen, annars Slush-tangenten fungerar inte) för att öppna slush-funktionen och slush-lampan lyser (kompressorn är påslagen) eller slush-lampan blinkar (kompressorn är stängd av), tryck sedan på "Slush"-tangenter igen för att stänga slush-funktionen.
4. Tryck på "Lighting"-tangenter för att tända ljuset, och tryck sedan på "Lighting"-knappen igen för att släcka ljuset.
5. Tryck på "Set"-tangenter, gå in i användarparametrarnas inställningsläge. Vid denna tidpunkt, tryck på "Set"-tangenter för att ändra inställningsobjektet, tryck på "Subtrahera(-)"-tangenter och "Add(+)"-tangenter för att ändra värdet. Efter 5 sekunder utan drift knappen, kommer systemet att avslutas och spara inställningsvärdet automatiskt.
6. Håll ned "Subtrahera(-)"-tangenter och "Add(+)"-tangenter i 5 sekunder samtidigt för att gå in i fabriksparametrarnas inställningsläge, tryck på knappen "Belysning". för att ändra objektet, tryck på "Subtrahera(-)"-tangenter och "Add(+)"-tangenter för att ändra värdet. Systemet kommer att avsluta och spara parametrarna automatiskt efter 5 sekunder utan någon knapptryckning.

(Modell: XN240B)

1. Tryck på "Vänster mixning", slå på vänster mixningsfunktion, vänster mixerlampa är tänd. Tryck på knappen "Vänster mixning" igen för att stänga av den vänstra mixningsfunktionen.
2. Tryck på "Right Mixing"-tangenter, slå på höger mixningsfunktion, höger mixningljus är på. Tryck på knappen "Right Mixing" igen för att stänga av den högra mixningsfunktionen.
3. Tryck på knappen "Kall dryck" (en blandningsfunktion måste vara påslagen, annars fungerar inte knappen för kall dryck), slå på funktionen för kall dryck och lampan för kall dryck lyser (kompressorn är på) eller kall dryck drick lätt

blinkar (kompressorn är avstängd), tryck sedan på knappen "Kall dryck" igen för att stänga funktionen för kall dryck.

4. Tryck på "Slush"-tangente (en mixningsfunktion måste vara påslagen, annars Slush-tangente fungerar inte) för att öppna slush-funktionen, och slush-ljuset är det på (kompressorn är påslagen) eller slush-lampan blinkar (kompressorn är stängd av), tryck sedan på "Slush"-tangente igen för att stänga slush-funktionen.

5. Tryck på "Lighting"-tangente för att tända ljuset, och tryck sedan på "Lighting"-knappen igen för att släcka ljuset.

6. Tryck på "Set"-tangente, ange tillståndet för användarparameterinställning. Vid den här tiden trycker du på "Set"-tangente för att ändra inställningsobjektet, tryck på "Subtrahera(-)"-tangente och "Add(+)"-tangente för att ändra värdet. Efter 5 sekunder utan att använda nyckeln, Systemet avslutas och sparar inställningsvärdet automatiskt.

7. Håll ned "Set"-tangente och "Add(+)"-tangente i 5 sekunder samtidigt för att gå in i fabriksinställningsläget, tryck på knappen "Set" för att ändra objektet, tryck på "Subtrahera(-)"-tangente och "Add(+)"-tangente för att ändra värdet. Systemet avslutas och sparar parametrarna automatiskt efter 5 sekunder utan att använda nycklar.

(Modell: XN360B)

1. Tryck på "Vänster mixning", slå på vänster mixningsfunktion, vänster mixerlampa är tänd. Tryck på "Left Mixing"-tangente igen för att stänga av den vänstra mixningsfunktionen.

2. Tryck på "Mid Mixing"-tangente, slå på mid mixing funktionen, mid mixing light är på. Tryck på "Mid Mixing"-tangente igen för att stänga av mittmixningsfunktionen.

3. Tryck på "Right Mixing"-tangente, slå på höger mixningsfunktion, höger mixingljus är på. Tryck på knappen "Right Mixing" igen för att stänga av den högra mixningsfunktionen.

4. Tryck på knappen "Kall dryck" (en blandningsfunktion måste vara påslagen, annars fungerar inte knappen för kall dryck), slå på funktionen för kall dryck och lampan för kall dryck lyser (kompressorn är på) eller kall dryck drick lätt blinkar (kompressorn är avstängd), tryck sedan på knappen "Kall dryck" igen för att stänga funktionen för kall dryck.

5. Tryck på "Slush"-tangente (en mixningsfunktion måste vara påslagen, annars Slush-tangente fungerar inte) för att öppna slush-funktionen, och slush-ljuset är det på (kompressorn är påslagen) eller slush-lampan blinkar (kompressorn är

avstängd), tryck sedan på Slush-tangenten igen för att stänga slush-funktionen.

6. Tryck på "Lighting"-tangenten för att tända ljuset och tryck sedan på "Lighting"-knappen igen för att släcka ljuset.

7. Tryck på "Set"-tangenten, gå in i användarparameterns inställningsläge. Vid denna tidpunkt, tryck på "Set"-tangenten för att ändra inställningsobjektet, tryck på "Subtrahera(-)"-tangenten och "Add(+)"-tangenten för att ändra värdet. Efter 5 sekunder utan drift knappen, kommer systemet att avslutas och spara inställningsvärdet automatiskt.

8. Håll nere "Subtrahera(-)"-tangenten och "Add(+)"-tangenten i 5 sekunder samtidigt tid för att gå in i fabriksparameterinställningsläget, tryck på "Set"-tangenten till ändra objektet, tryck på "Subtrahera(-)"-tangenten och "Add(+)"-tangenten för att ändra värde. Systemet avslutas och sparar parametrarna automatiskt efter 5 sekunder utan någon knapptryckning.

Observera: när maskinen fungerar bra, vänligen ändra inte fabriksinställningarna.

1.4.3 Larmkod Beskrivning

1) "- -": Larm för frusen skål ges och kompressorn och motorn stannar fungerar och återupptas automatiskt efter 10 minuter.

2)"RH": larm för temperatursensorfel. Sluta kyla i kall dryck funktionstillstånd utan att påverka slushfunktionen.

3)"LLL": lågspänningslarm, hela maskinen stannar. Stäng av strömmen och kontrollera strömförsörjningen. Starta om maskinen efter att spänningen är stabil. Om det visar "LLL" ofta, Vi föreslår att du ansluter en spänningsstabilisator.

2. Säkerhet

2.1 Allmänna säkerhetsföreskrifter

1. Läs hela manualen noggrant

2. Nätsladden måste uppfylla lokala säkerhetsstandarder

3. Nätsladden och stickkontaktens storlek ska överensstämma med parametrar på maskinens märkskylt, korrekt jordade och kopplade med tillämpliga strömbrytare och effektbrytare. Använd aldrig maskinen nära brandfarliga eller explosiva föremål. • Inga tekniska ändringar på maskinen.

- Vänligen spray inte sköljning av maskinen
- Se till att följa instruktionerna för att använda maskinen. • Montera inte maskinen på andra enheter.
- Tvätta inte med bensen eller andra lösta ämnen.
- Blockera aldrig ventilerna på sidan av maskinen.

Innan du rengör maskinen, se till att maskinen har varit frånkopplad från strömmen.

Maskinen måste repareras av vårt servicecenter eller en utbildad tekniker.

* **Skador på grund av felaktig användning kommer att ogiltigförklara vår garanti, och den Fabriken ansvarar inte för personskador eller egendom skada.**

2.2. Stoppfunktion

Stäng av huvudströmbrytaren för att stoppa maskinen.

3. Drift och förvaring

Alla operationer som beskrivs i kapitel 4 ska utföras av fackmän ansvarar för transport/hantering av förpackade eller oförpackade produkter. Se till att använda lämplig utrustning beroende på art och vikt av varorna, samt relevanta bestämmelser i lokala bestämmelser.

3.1. Förpackning

Varorna som ska skickas ska förpackas och fixeras med skum inuti och kartong eller trälådor utanför.

3.2. Transport och hantering

I händelse av fysiska arbeten som behövs måste det slutföras av minst två personer.

- 1) Maskinen måste stå uppåt när den flyttas.
- 2) Var uppmärksam på förpackningen och de utskjutande delarna.

3.3. Lagring

Maskinen bör rengöras och desinficeras innan den sätts i lager.

Om maskinen ska stå på tomgång under en längre tid måste skyddsåtgärder vidtas för dess placeringsplats och lagringstid:

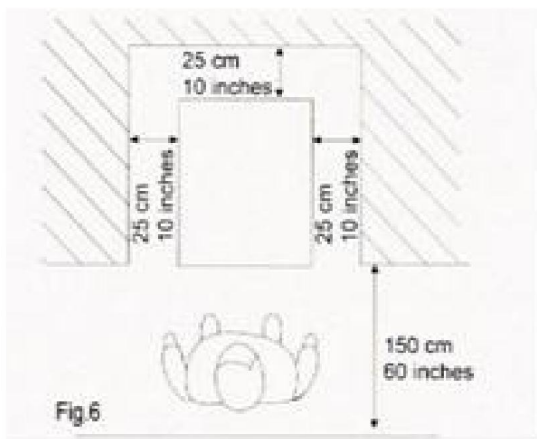
- 1) Maskinen ska placeras i slutet utrymme.
- 2) Förhindra att maskinen träffas och kläms.
- 3) Maskinen ska placeras på en sval och torr plats, inte utsättas för fukt och hög temperatur.
- 4) Håll maskinen borta från frätande ämnen.

4. Installation

Maskinen måste installeras i ett ljusst, välventilerat rum med en hård fast golv.

4.1 Monteringsplats

1. Golvet för maskinen som ska monteras på måste vara fast och plant.
2. Utrymmet ska vara ljusst, välventilerat och rent.
3. Tillräckligt utrymme ska tillhandahållas för att underlätta obegränsad drift samt akut användning. *TIPS: Lämna 25 cm (10 tum) fritt utrymme på toppen av skålen.



* Innan du använder maskinen för första gången måste alla delar rengöras och de delar som är i kontakt med slask måste hanteras försiktigt;

för mer information, läs relevant avsnitt.

4.2. Strömanslutning

Se till att huvudströmbrytaren står på "0" innan du kopplar in.

Varning: Eluttaget måste placeras på en plats som är lättillgänglig av användaren.

5. Drift

5.1. Materialförberedelse

Håll materialet i skålen när maskinen är avstängd och utan ström.

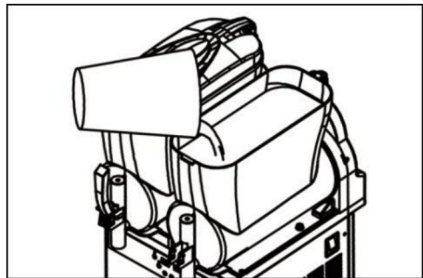
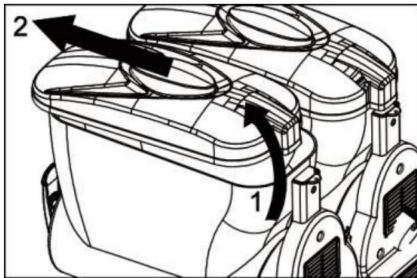
Varning: Minsta sockerhalt bör inte vara mindre än 13 %, så lågt koncentration kan skada maskinen.

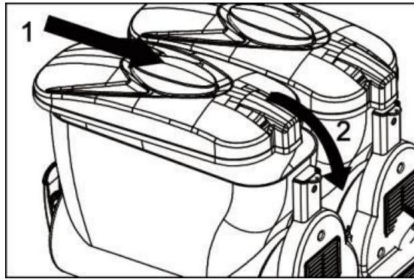
Ta av locket från skålen enligt följande instruktioner:

1. Lyft på baksidan av locket.
2. Ta bort locket från den främre hållaren.
3. Efter att material lagts till skålen ska locket på skålen sättas på tillbaka.

Varning:

- 1) Öppna inte locket med våld.
- 2) Tillsätt aldrig vätska högre än 25 grader Celsius.
- 3) När du matar skålen, var noga med att inte överskrida maxgränsen och måste överstiga blandaraxeln.
- 4) Sätt inte på maskinen när locket inte är på plats. Behåga stäng av och koppla ur maskinen innan du tar bort locket.
- 5) Stäng av och koppla ur maskinen innan du tar bort några delar från skålen





5.2. Starta Slush Machine

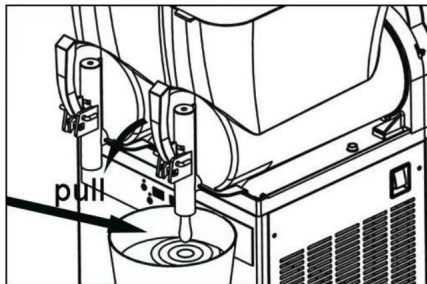
Se 1.4. Kontrollpanelens beskrivning och funktion.

5.3. Slush Koncentration Justering

Se 1.4.2 för att ställa in parametrar; den större positionen motsvarar tjockare slask.

5.4. Slush Produktion

Dra i handtaget för att producera slask.



Om maskinen inte ska användas kontinuerligt, är följande operationer krävs för mejeriprodukter:

- 1) Spraya vatten på kranen och det omgivande området.
(Använd en ren trasa för att torka av för desinfektion samtidigt).
- 2) Innan du gör slush åt kunden, använd en liten mängd produkt att prova först.

5.5 Nödsituationer

- 1) I extrema nödsituationer, ställ huvudströmbrytaren på "0" för att stänga av maskin.

2) Om maskinen har fastnat, stäng av maskinen och kontakta service center eller en professionell tekniker.

6. Rengöring och underhåll

Innan någon rengöring och underhåll av externa komponenter i den maskinen, se till att huvudströmbrytaren är placerad i läge "0" och att maskinen är inte ansluten.

För rengöring och underhåll, följ dessa instruktioner:

1. Ta på dig skyddshandskar.
2. Använd aldrig lösliga och explosiva material.
3. När maskinen är påslagen och huvudströmbrytaren i läge "1" är rengöring förbjuden.

6.1 Töm skålen

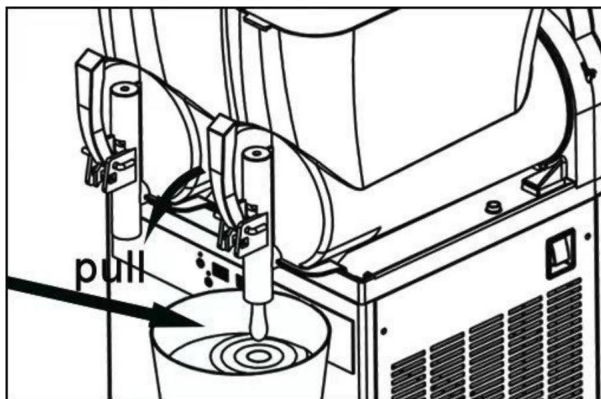
Innan du rengör skålen, ta först bort allt tidigare förberett material.

6.2. Ta isär handtagsdelarna

Ta inte isär handtaget på maskinen om det finns material eller annan vätska i skålen.

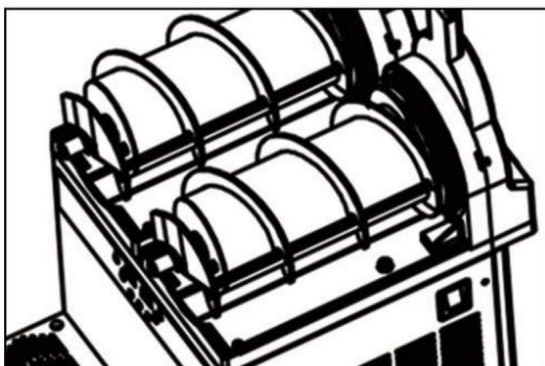
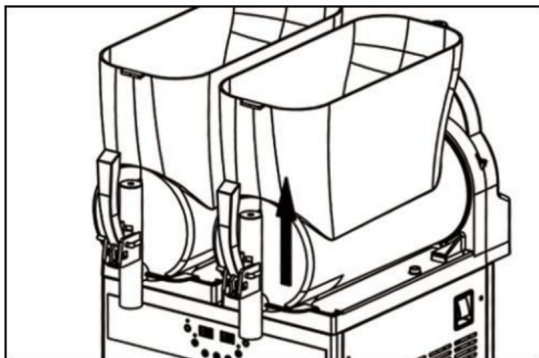
6.3 Ta bort skålen och locket

Ta bort varje skål för att säkerställa att maskinen är snygg och ren.



Ta bort skålen enligt följande:

1. Ta bort locket enligt bilden.
2. Lyft upp den främre delen av skålen för att lossa den.
3. Tryck och vrid försiktigt baksidan för att ta bort skålen.
4. Ta ut mixeraxeln och ta bort tätningsringen.



6.4 Demontera körhandtaget

1. Ställ skålen på en slät yta för att underlätta borttagningen av kranen.
Dra "U" mot dig och tryck på kranen med din andra hand.
2. Lås upp fjädern, håll ner den, tryck horisontellt och släpp den slutligen.
3. Skruva loss stängningen från kranen.
4. Håll ner de två gummiflänsarna och separera det röda gummit från det.
Alla delar måste tvättas med varmt vatten och tvål och lufttorkas innan sätts ihop igen.

6.5. Tvätta och desinficera komponenterna

Alla tidigare borttagna delar måste rengöras och desinficeras noggrant.

Viktig anmärkning: Desinfektionsprocedurerna måste överensstämma med maskinen drifriktlinjer.

Följ instruktionerna nedan för att säkerställa korrekt desinfektion:

1. Dispensera den antiseptiska lösningen i behållaren (2 % natrium hypoklorit blandat med vatten).
2. Tvätta skålen, locket och förångaren noggrant med en indränkt svamp.
3. Rengör noggrant med vatten.
4. Håll desinfektionsmedel i en annan behållare.
5. Doppa de demonterade delarna i desinfektionsmedlet.
6. Blötlägg delarna i desinfektionsmedel i 30 minuter.
7. Tvätta noggrant med vatten igen.
8. Lufttorka delarna på en ren plats.
9. Återmontera enligt beskrivning i avsnitt 6.5.
10. Skölj noga med vatten innan du använder maskinen.

Varning: Sänk inte ner locket med lampan i någon lösning. Före rengöring och desinficering av locket, ta bort locket enligt beskrivningen i föregående avsnitt. För att korrekt rengöra lampskyddet, dessa steg måste följas:

1. Torka av lockets botten (delen som kommer i kontakt med maskinen) med en ren, fuktig trasa.
 2. Torka av maskinens utsida med en ren, fuktig trasa.
 3. Använd en svamp som blötläggs med desinfektionsmedel för att desinficera lockets botten. Och se till att inte blöta lockets gränssnitt med maskinen.
 4. Låt driften stå i 30 minuter.
 5. Skölj två gånger eller mer. Endast botten av locket behöver torkas av rent vattensvamp.
 6. Lägg locket på en ren plan yta för att torka. Torka först botten och torka av de yttre delarna med en ren trasa.
 7. Sätt tillbaka locket efter att skålen har rengjorts och desinficerats.
- Rengör aldrig maskinen när locket är monterat på den.

6.6 Sätt tillbaka de rengjorda delarna

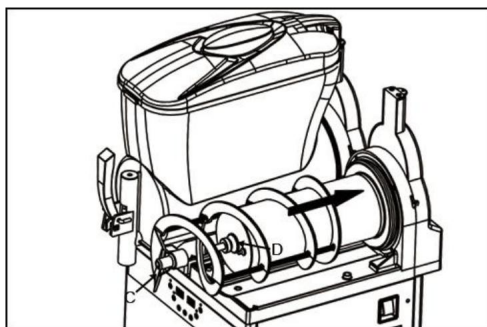
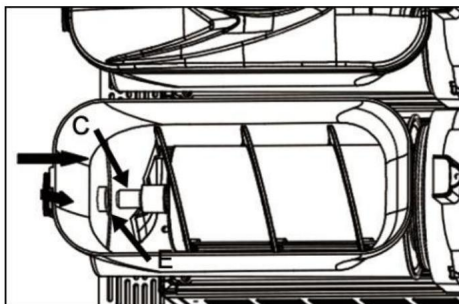
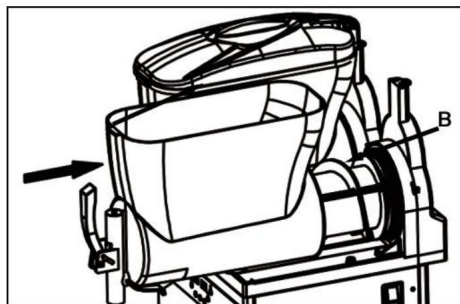
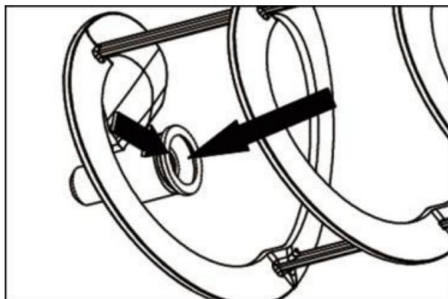
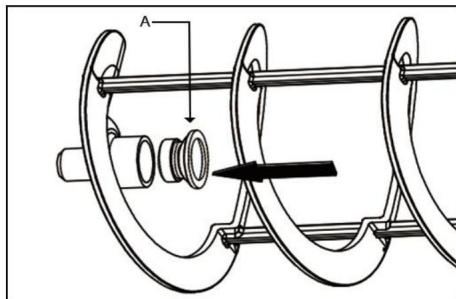
Alla rengjorda och desinficerade komponenter måste noggrant återinstalleras, och komponenter måste vara helt smorda för att maskinen ska fungera mer effektivt.

Rengör brickan och gallret separat med varmt vatten.

Torka alla delar.

Sätt tillbaka gallret över brickan.

Montera blandaraxelns tätning enligt bilden.



Viktig anmärkning: Kontrollera alltid tätningens integritet. Om tätningens ring är trasig ska den bytas ut mot en ny.

Använd den medföljande vaselinen för att smörja tätningens ring i det illustrerade området. Installera blandaraxeln enligt bilden; installera blandaraxelns huvud (C) till axeln (D).

Tips: Vrid den i den första halvan av skålen och skjut skålen till angivet läge i kontakt med tätningens ring (B).

- 1) Rikta in blandaraxelns huvud med gränssnittet inuti skålen, tryck ner i skålen och följ instruktionerna nedan för att installera om kranen.
- 2) Smörj skarvarna helt med det medföljande vaselin.
- 3) Sätt kolven i avsett läge och tryck in handtaget tills det ansluter kranen.

6.7 Sköljcykel

Innan maskinen startas måste den rengöras cirkulärt.

Gör så här:

1. Fyll skålen med vatten.
2. Låt maskinen röra om i 5 minuter.
3. Stäng av maskinen och öppna kranen för att tömma vattnet i skålen.

6.8 Rengör vattenlådan

Vattenlådan bör tömmas och rengöras regelbundet.

Dra upp vattenlådan med lock och dra sedan ut den.

6.9 Lampkåpa

6.10 Lampbyte

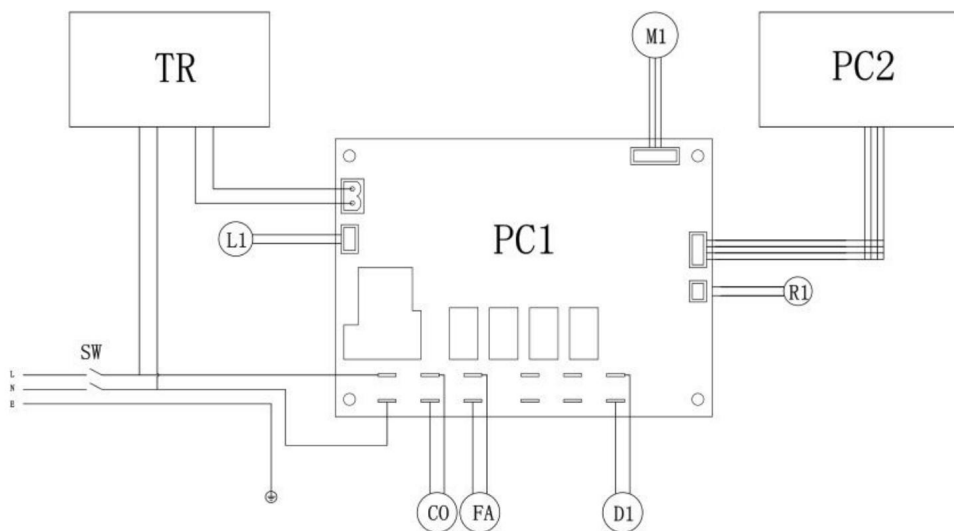
Vid byte av lampa måste huvudströmbrytaren vara avstängd och den strömmen måste kopplas bort.

Ta bort skyddslocket och skruva loss lockets skruvar; använd lämplig skruvmejsel för att manövrera.

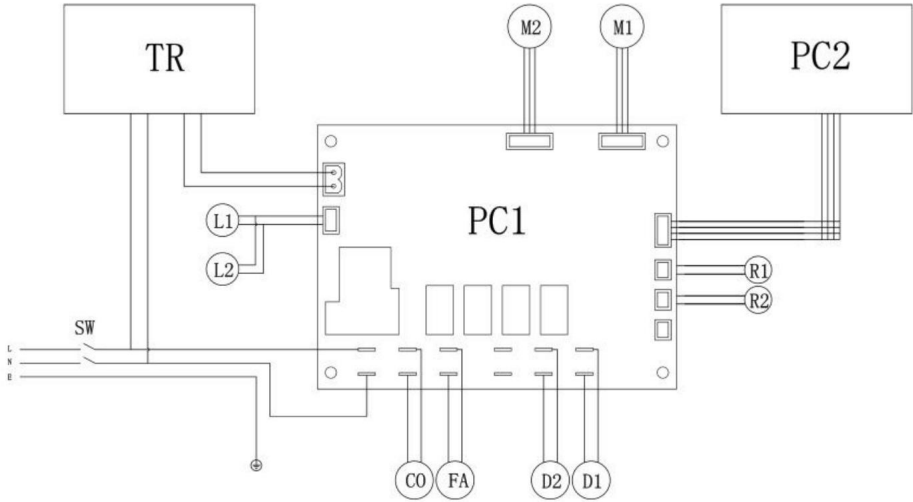
6.11 Regelbundet underhåll

- 1) Maskinen måste underhållas regelbundet av professionella tekniker (minst en gång om året).
- 2) Regelbunden inspektion kan säkerställa att alla komponenter är installerade på plats och att maskinen kan köras säkert.
- 3) Alla skadade komponenter måste bytas ut mot originaldelar.

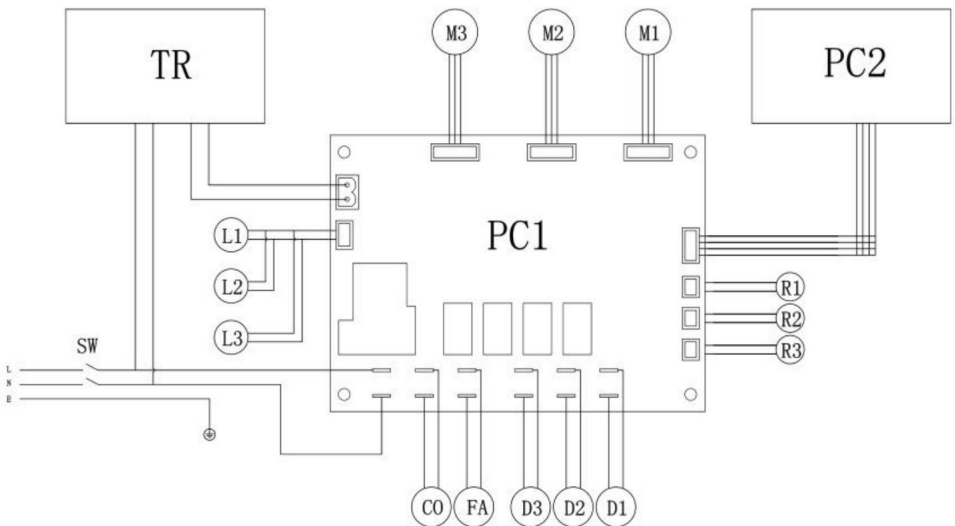
7. Kopplingsschema



PCI-Vain PC Board, PC2-Dispaly Panel, \$i Switch, 00-Coopressar, FA-Fan, 1R-Transformer MI-Stirring Ilotor, LHED Lighting, RI-Teaperature Sensor.



PCI-Main PC Board, p2-Dispsly Panel, Sh-Switch, 00-Kompressor, FA-Fan, TR-TransformerM1/1/%2-Stirring Whotor, II/2-ED Lighting, R1/R2-Temperatursensor, DI/02-magnetventil



PCI-Main PC Board, p2-DispalyPanel, SNSwitch, C0 Coapressor, FA-Fan, TR-TransformerM1/1/M2/M3-Stirring notor, L1/L2/L3-LED Belysning.R1/R2/R3-Temperatursensor,DI/D2/03-magnetventil

VEVOR®

TOUGH TOOLS, HALF PRICE

Teknisk support och e-garanticertifikat

www.vevor.com/support