

Note: Discrepancies may exist between the product and the manual due to firmware and hardware updates. Please refer to the actual product for accurate usage.

APP



Google Play and the Google Play logo are trademarks of Google Inc.



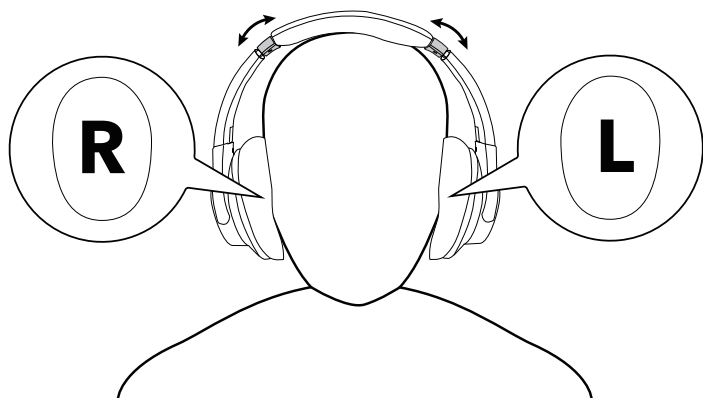
Apple and the Apple logo are trademarks of Apple Inc.



Download the soundcore app to switch ambient sound modes, adjust EQ settings, update firmware, and explore more.

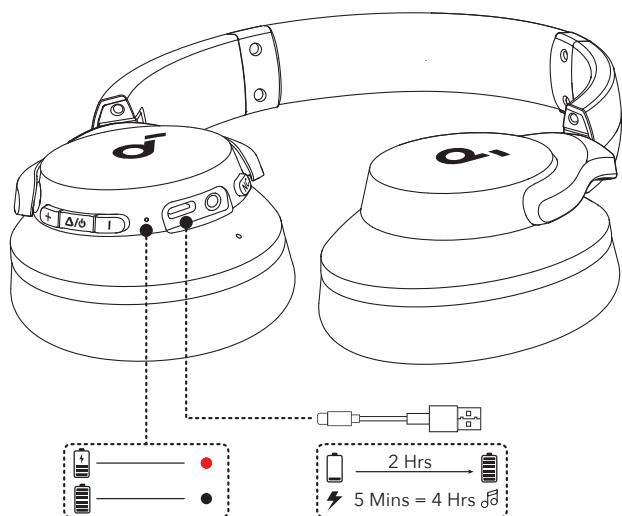
If your headphones cannot connect with the soundcore app, re-install the app or update it to the latest version in your mobile app store.

WEARING



Wear the headphones with the "L" logo on your left ear and "R" logo on your right ear. Adjust the length of the headband for a comfortable fit.

CHARGING

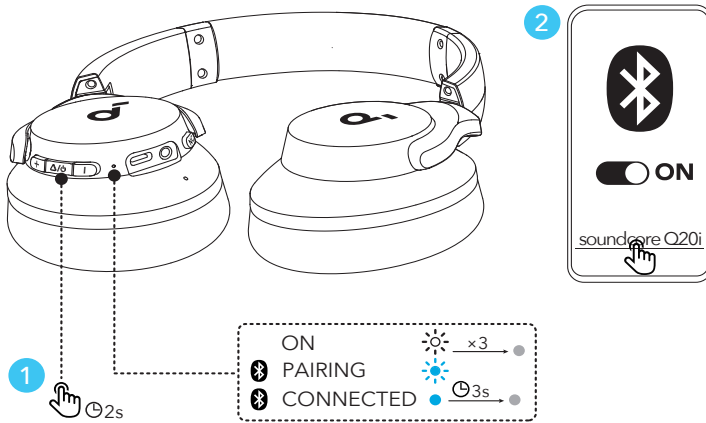


Fully dry off the headphones and USB-C charging port before charging.

Do not turn on your headphones while charging.

Use a certified USB-C charging cable and charger to prevent any damage.

POWERING ON & PAIRING

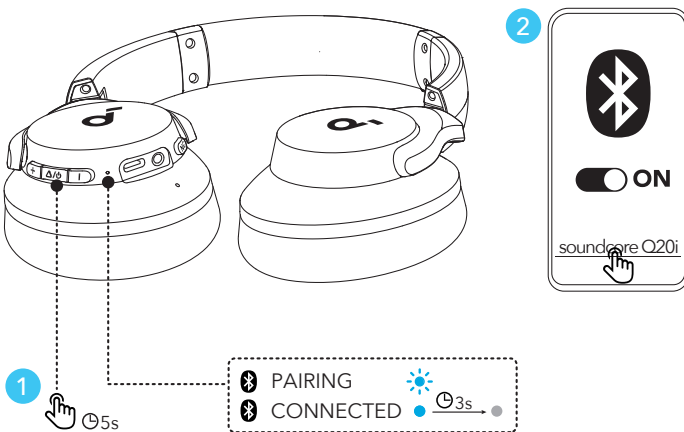


Press and hold the multi-function button for 2 seconds to power on. The headphones will automatically enter Bluetooth pairing mode when connecting for the first time.

Select soundcore Q20i * on your device's Bluetooth list when connecting for the first time.

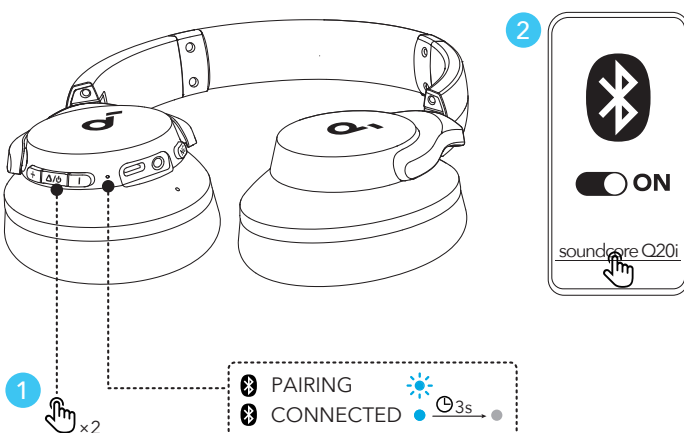
The device name may vary depending on the region.

MANUAL PAIRING



To manually enter Bluetooth pairing mode, power off the headphones and press the multi-function button for 5 seconds.

DUAL CONNECTIONS



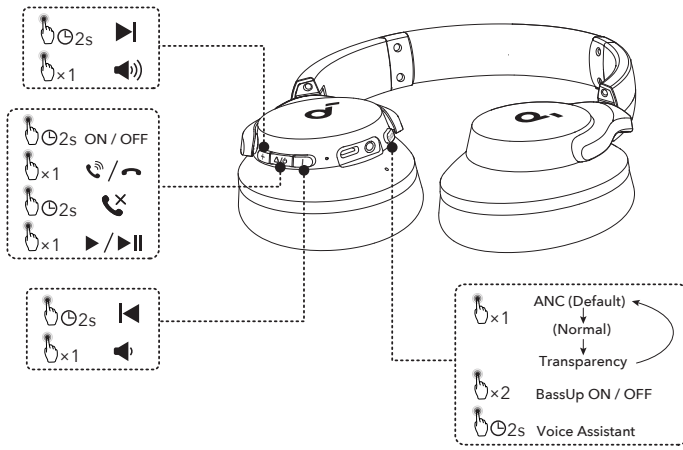
To connect the headphones with two devices at the same time, ensure they are connected to only one device.

Then, press the multi-function button twice to pair with the second device.

You can also enable Dual Connections via the soundcore app. In the soundcore app, go to Dual Connections > Enable Dual Connections > Connect New Device.

Dual Connections is enabled by default.

BUTTON CONTROLS



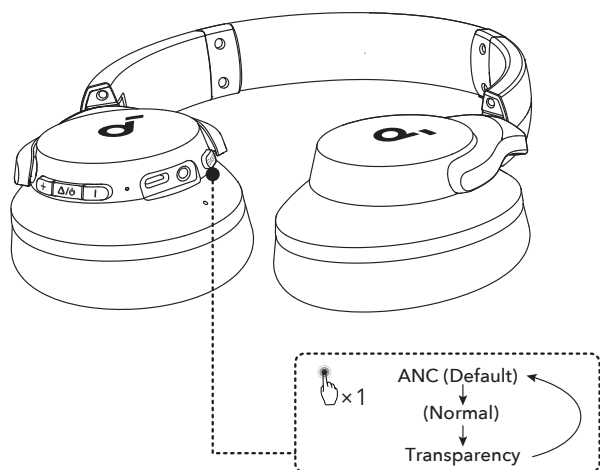
x1: Press once

x2: Press twice

2s: Press and hold for 2 seconds

	Switch ambient sound modes		Press once
	BassUp on / off		Press twice
	Power on / off		Press and hold for 2 seconds
	Play / Pause		Press once
	Next track		Press and hold for 2 seconds
	Previous track		Press and hold for 2 seconds
	Volume up		Press once
	Volume down		Press once
	Answer / End a call		Press once
	Reject a call		Press and hold for 2 seconds
	Activate Voice Assistant		Press and hold for 2 seconds

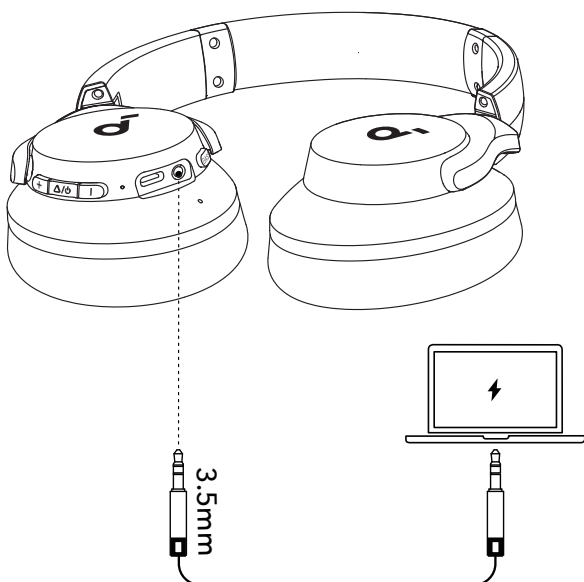
AMBIENT SOUND



Active Noise Cancellation (ANC): Reduce unwanted background noise.

Transparency: Stay aware of your surroundings while listening to music.

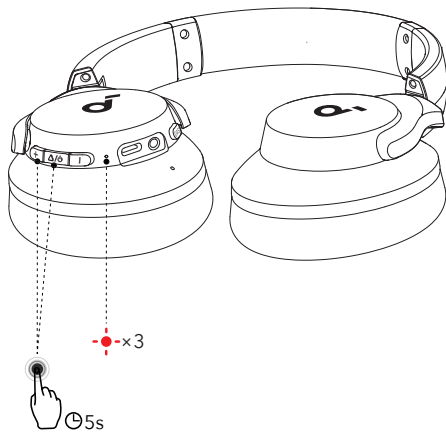
WIRED LISTENING



Play audio on an external device by plugging in a 3.5mm AUX cable. Wired listening will automatically turn off Bluetooth mode.

When using an AUX cable, the ANC function will be disabled.

RESET

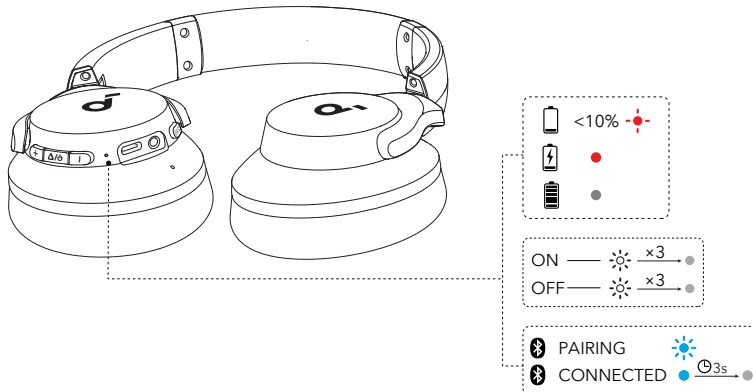








You might need to reset your headphones if you experience connectivity or function issues.

Delete the pairing history from your Bluetooth device first.

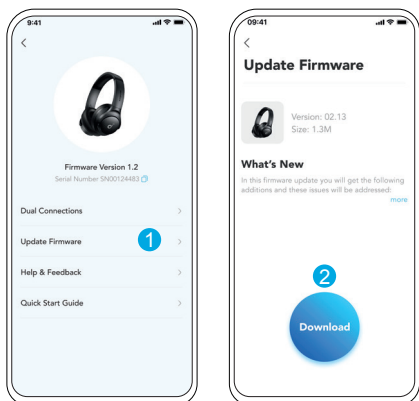
Press and hold the volume up and multi-function button simultaneously for 5 seconds until the LED slowly flashes red three times.

LED LIGHT GUIDE



	Flashing white rapidly
	Flashing red slowly
	Solid red
	Flashing blue rapidly
	Solid blue
	Light off

FIRMWARE UPDATE



You will be informed once the new version of firmware is detected when you connect the headphones with the app. Ensure the headphones are powered on and connected to a device until the firmware update is complete. During the update, avoid any usage and ensure stable access to the internet.

SPECS

Specifications are subject to change without notice.

Input	5 V $\overline{\text{---}}$ 0.75 A
Rated output power	3.4 mW
Battery capacity	800 mAh
Charging time	2 hours
Playtime (with ANC off)	Up to 60 hours
Playtime (with ANC on)	Up to 40 hours
Driver size	40 mm
Frequency response	20 Hz - 40 kHz
Impedance	16 Ω
Bluetooth version	5.3
Bluetooth range	15 m / 49.2 ft

Regulations and Compliance Information

Hereby, Anker Innovations Limited declares that this device is in compliance with The Product Security and Telecommunications Infrastructure (Security Requirements for Relevant Connectable Products) Regulations 2023. For the Statement of Compliance, visit the website: <https://uk.soundcore.com/pages/psti-related>.

Note: The 'x' of SN Code: xxxxxxxxxxxxxxxx is a variable, see below table.

Variable 'x'	Range of variable	Content
Seventh	0-9 or A-F	Denotes the hardware version which is not effected on the safety compliance.
Eighth	8,9,A,B,C...	Denotes the year, 8 means 2018, 9 means 2019, A means 2020, B means 2021, C means 2022, and so on.
Ninth and tenth	01,02,03..	Denotes weeks, 01 means the first week in this year, 02 means the secondary week in this year, and so on.
Eleventh	1-7	Denotes date, 1 means Monday, 2 means Tuesday..., 7 means Sunday and so on.
The last five	00001-99999	Denotes serial No.

1. Power consumption in standby mode: $\leq 0.5W$

2. Powermanagement: $\leq 20min$

3. Information of applicable adapter:

Brand: ANKER

Manufacturer: Anker Innovations Limited

Model: A2337

Input: 100-240Vac, 1A, 50-60Hz

Output: 5V \dashv 3A / 9V \dashv 3A / 12V \dashv 2.5A / 15V \dashv 2A / 20V \dashv 1.5A (30W Max)

Default Open Port: Classic Bluetooth

Port Description: After the device is powered on, Classic Bluetooth visibility (or pairing mode) is automatically enabled, providing Bluetooth pairing (or control) services. The Bluetooth service is disabled when the device is powered off.