

Veise

Installation Manual

Model No. **KS04**



Tutorial Video

Scan the QR code and search **KS04** to get the video.

Need Help? Contact Us!

Call us at **+1(855)400-3853** (Monday-Friday 9:00am-5:00pm PST), if you have any questions.

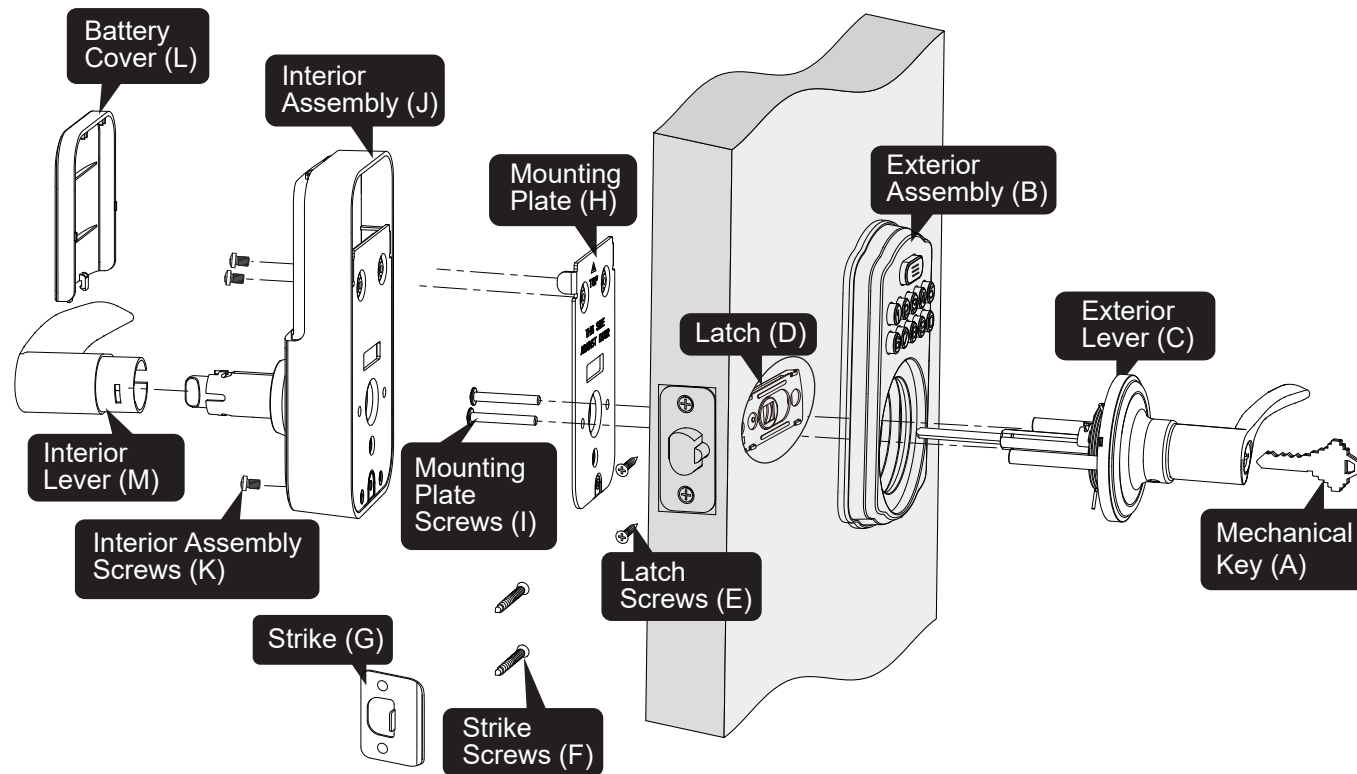
 support@iveise.com  iveise.com



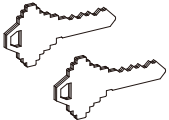
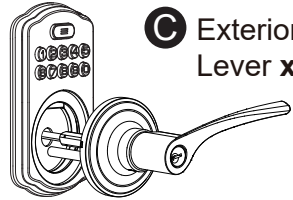
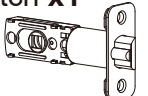



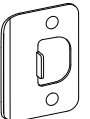
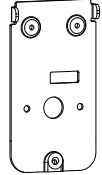

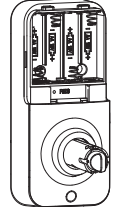
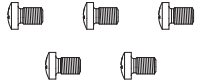
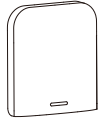
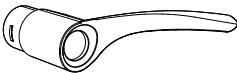

Content

• Parts List	01
• Installation Guide	02
Step 1: Prepare the Door & Check Dimensions	02
Step 2: Install the Latch & Strike	06
Step 3: Install Exterior Assembly	08
Step 4: Install Interior Assembly	10
• How to Reset	15
• Troubleshooting	16
• Information & Safety Warnings	17

Installation Overview



Parts List

<p>A Mechanical Keys x2</p> 	<p>B Exterior Assembly x1</p> <p>C Exterior Lever x1</p> 	<p>D Latch x1</p>  <p>D-1 Drive-in Collar (Optional)</p> 	<p>E Latch Screws x2</p>  <p>F Strike Screws x2</p> 
<p>G Strike x1</p> 	<p>H Mounting Plate x1</p> 	<p>I Mounting Plate Screws x2</p> 	<p>J Interior Assembly x1</p> 
<p>K Interior Assembly Screws x5 (2 Spare)</p> 	<p>L Battery Cover x1</p> 	<p>M Interior Lever x1</p> 	<p>N Reset Tool x1</p> 

⚠ Missing any parts? Call us at [+1\(855\)400-3853](tel:+18554003853). ✉ support@iveise.com 01



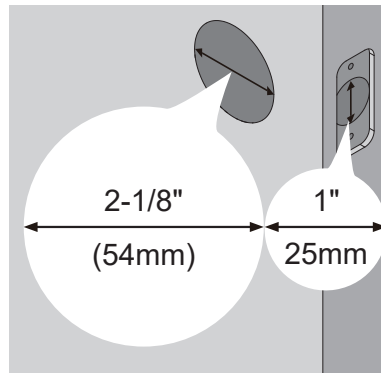
Installation Guide

▶ Step 1: Prepare the Door & Check Dimensions

1

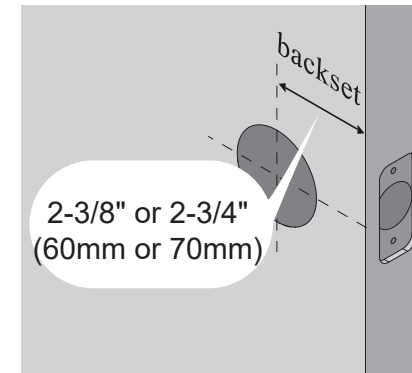
The hole in the door is 2-1/8" (54mm).

The hole in the door edge is 1" (25mm).



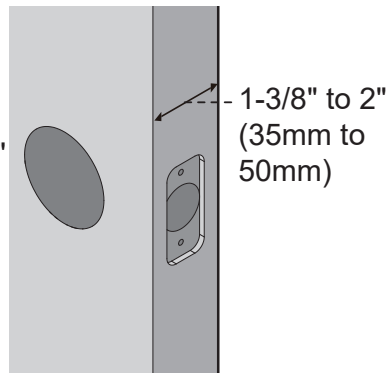
2

The backset is either 2-3/8" or 2-3/4" (60mm or 70mm).



3

The door thickness is 1-3/8" to 2" (35mm to 50mm).

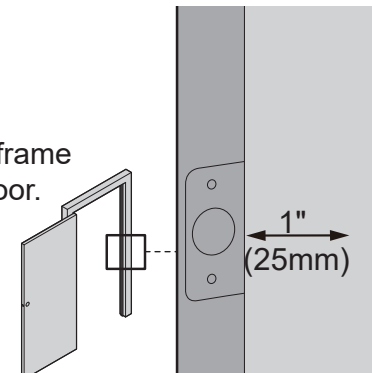


4

NOTE:

Make sure the door frame is aligned with the door.

There are no obstructions stuck in the door frame.

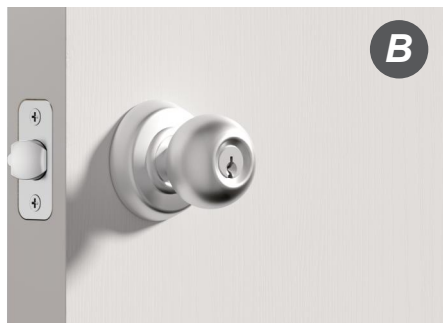
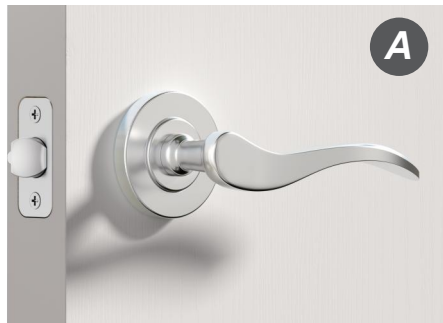




Installation Guide

Two Installation Methods

Method 1: For Doors with a Single Hole






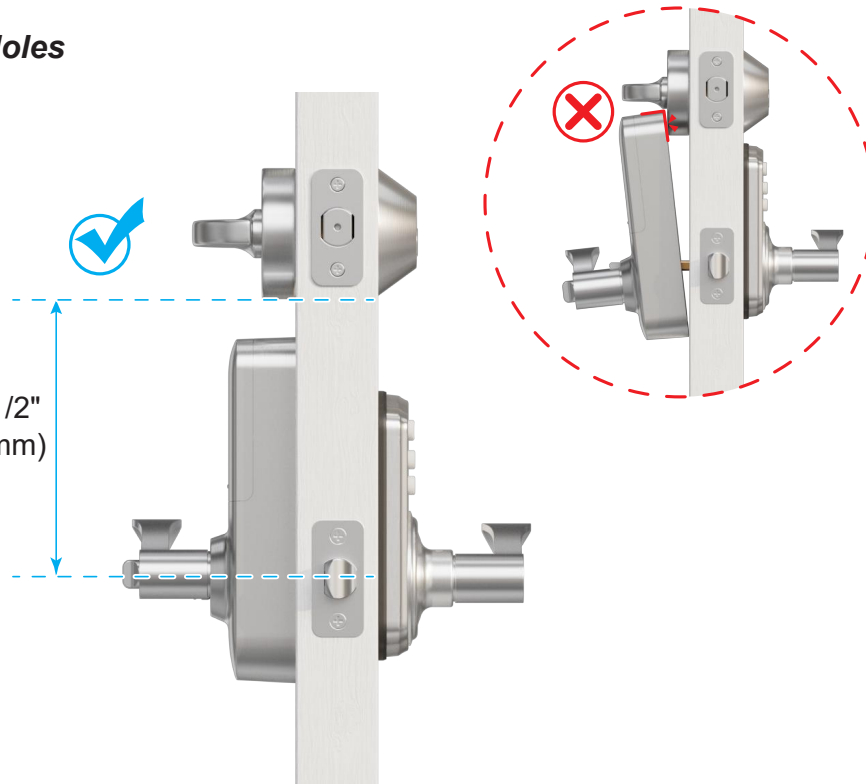
Installation Guide

Two Installation Methods

Method 2: For Doors with Two Holes



➡  $>4\text{-}1/2"$
(115mm)





Installation Guide

Two Installation Methods

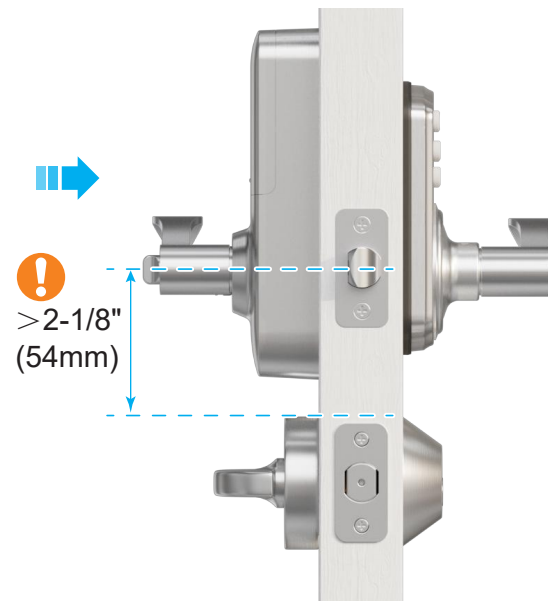
Method 2: For Doors with Two Holes

If this installation method does not fit your door, consider the following alternatives:

A. Remove the deadbolt, cover the hole with a Door Hole Cover Plate (not included), and install the lock.



B. Remove the handle, lower the deadbolt, and install the lock above it.





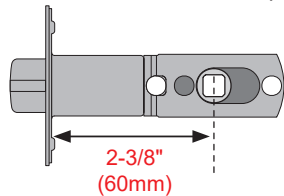
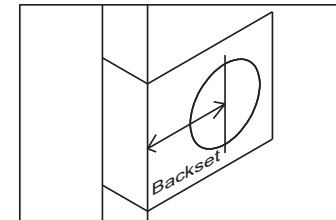
Installation Guide

▶ Step 2: Install the Latch & Strike

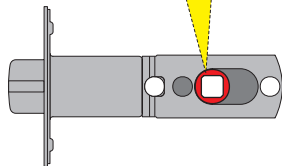
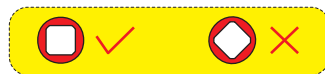
- 1 Confirm the backset and adjust the Latch.

Backset is the distance from the door edge to the center of the hole in the door.

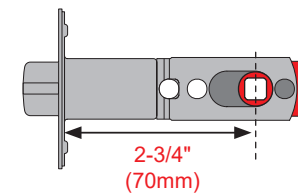
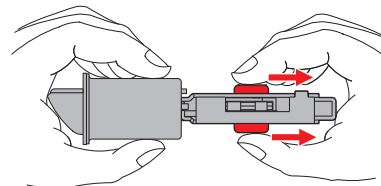
The Latch is provided with adjustable design which can fit either 2-3/8" (60mm) or 2-3/4" (70mm) backset.



If the backset of your door is 2-3/8" (60mm), no need to adjust the Latch.



If the backset of your door is 2-3/4" (70mm), please adjust the Latch as shown in the images below.

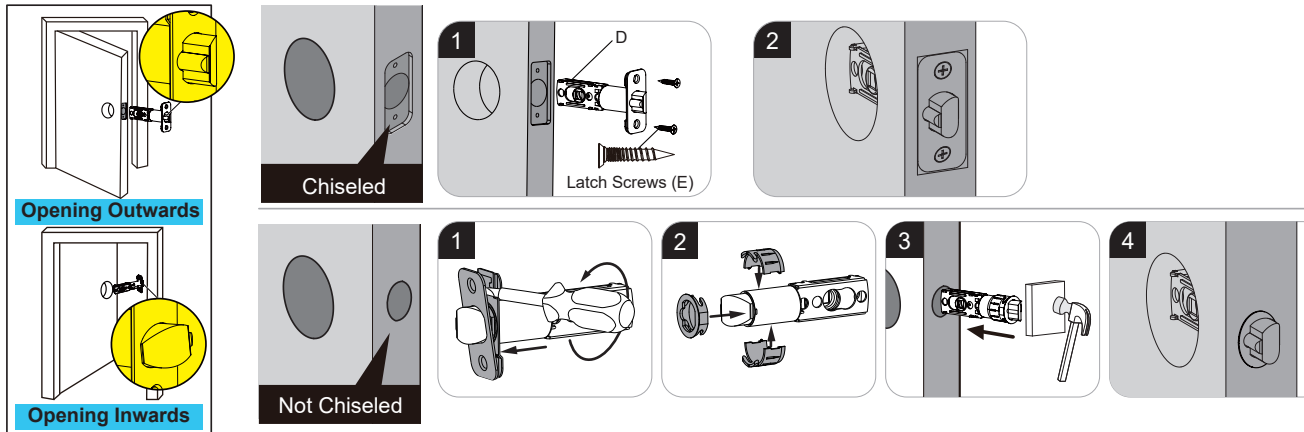




Installation Guide

▶ Step 2: Install the Latch & Strike

2 Install the Latch and check its orientation from outside the door.

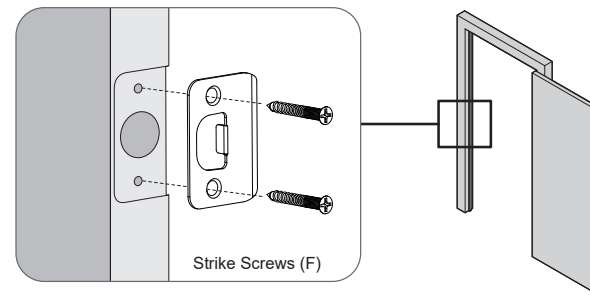


3 Install Strike on the door frame.



IMPORTANT:

Make sure the hole in door frame is drilled a minimum of 1" (25mm) deep.



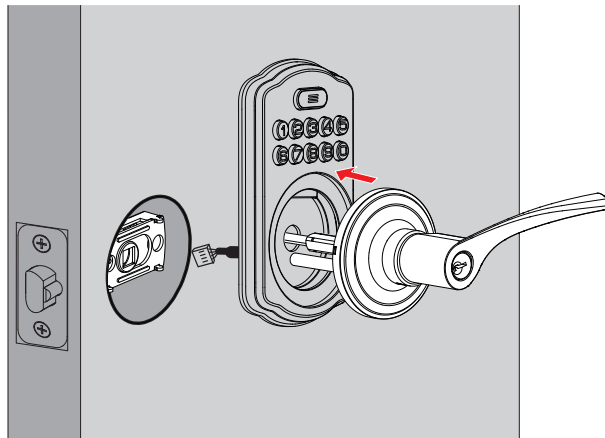


Installation Guide

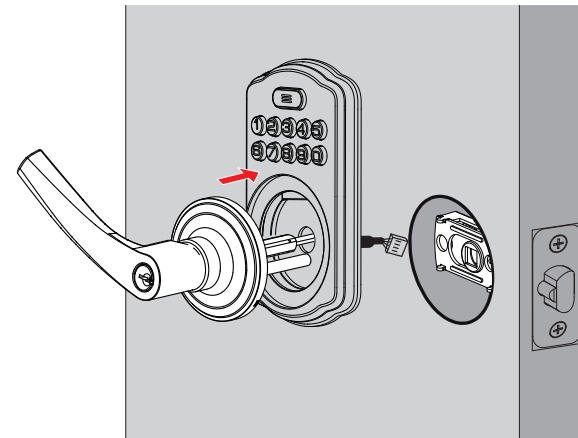
▶ Step 3: Install Exterior Assembly

1 Before installing the Lever into the door slot, ensure the Torque Blade is in horizontal position.

A. For a right-handed door, install the Lever as shown on the left.



B. For a left-handed door, install the Lever as shown on the right.



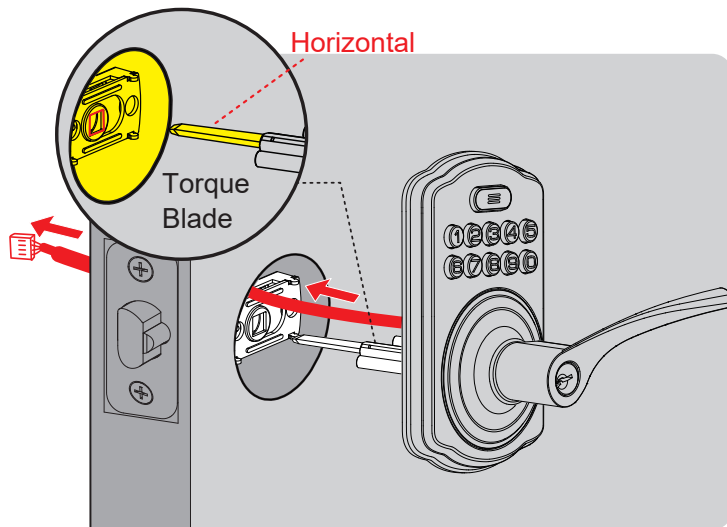


Installation Guide

▶ Step 3: Install Exterior Assembly

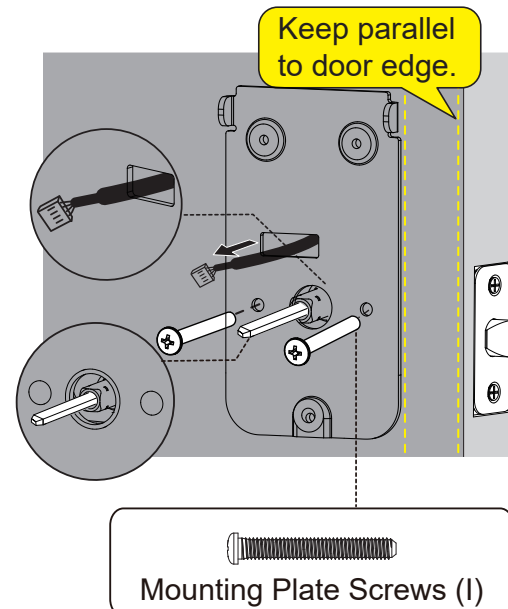
- 2** Route the cable above the Latch and insert the Torque Blade horizontally into the Latch slot.

Do not insert the Mechanical Key into the cylinder during the installation.



- 3** Install the Mounting Plate with the Mounting Plate Screws.

Do not overtighten screws.

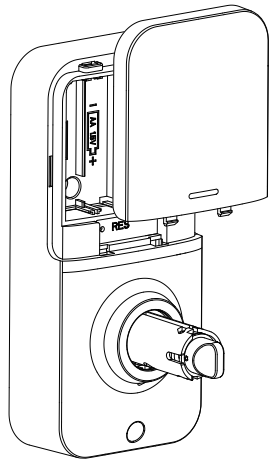




Installation Guide

▶ Step 4: Install Interior Assembly

1 Disassemble the Battery Cover.



⚠ Important:

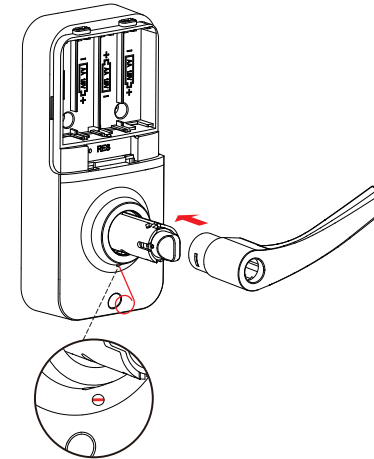
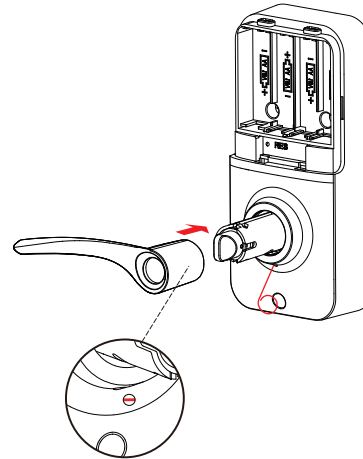
Do not load batteries until the lock is completely installed.

10

2 Install the Interior Lever.
Use the Reset Tool to press the hole at the bottom of the Interior Assembly, then push the Lever in until you hear a "click."
Pull the Lever to check if it is securely installed.

A. For a right-handed door, install the Lever as shown on the left.

B. For a left-handed door, install the Lever as shown on the right.

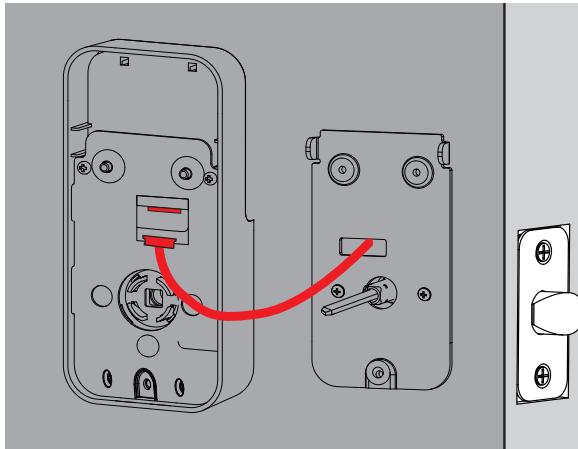




Installation Guide

▶ Step 4: Install Interior Assembly

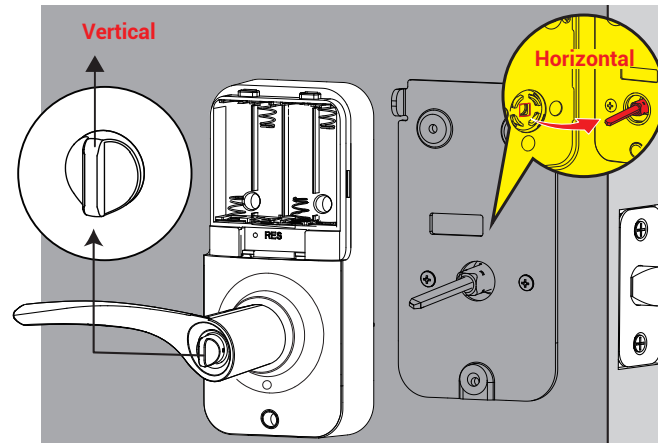
- 3** Insert the cable connector into the socket and push it in securely.



NOTE:

Tuck excess cable into the socket to avoid blocking screw holes or interfering with cover installation.

- 4** Keep the Thumb Turn in vertical position and install the Interior Assembly.

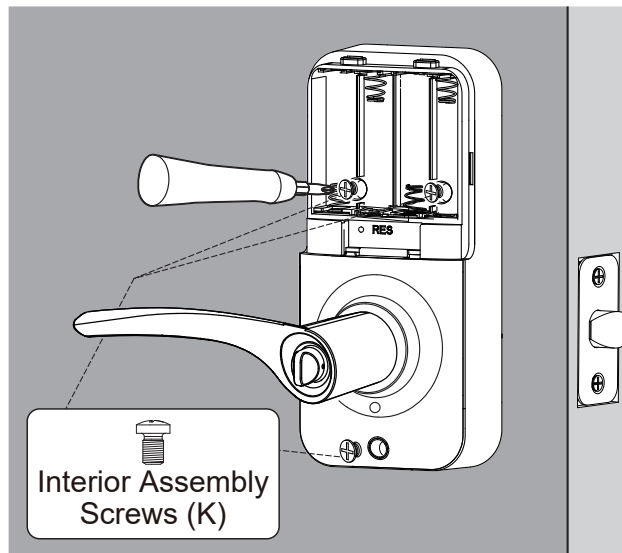




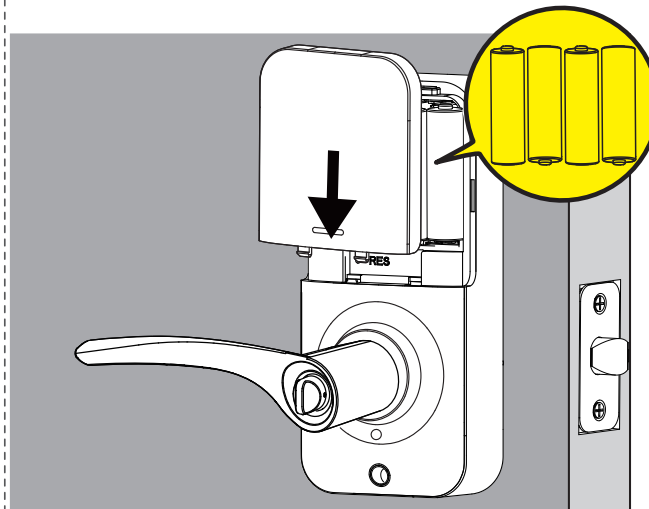
Installation Guide

▶ Step 4: Install Interior Assembly

- 5** Attach the Interior Assembly to the Mounting Plate. Ensure the Interior Assembly Screws engage with the threads on the Mounting Plate, then tighten all three screws.



- 6** Keep the door open and unlocked. Load 4 AA batteries into the compartment and install the Battery Cover.



NOTE:

For longer battery life, please use only new, non-rechargeable Alkaline batteries.

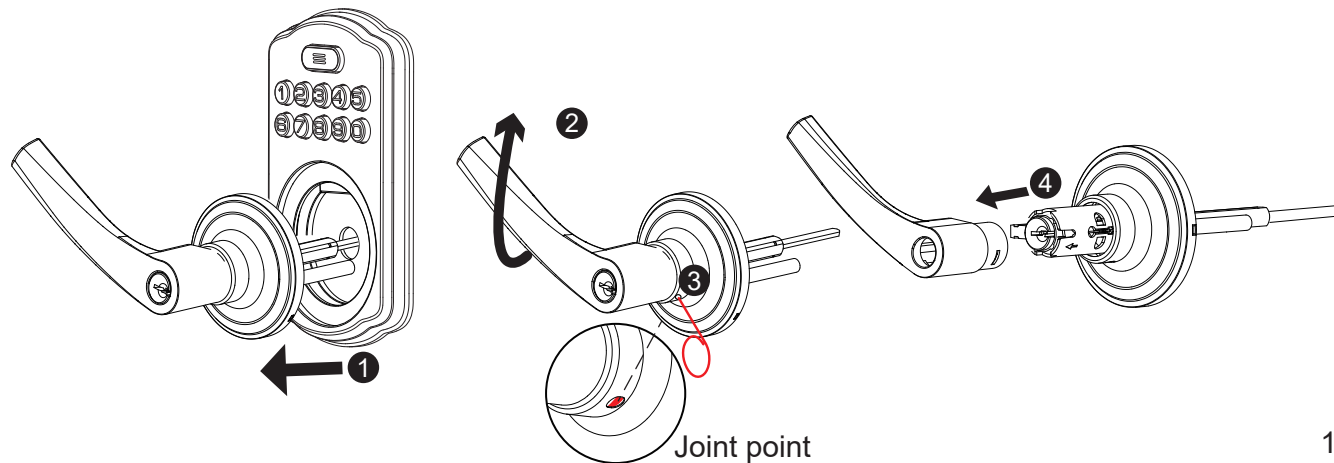


Installation Guide

Reverse the Lever Direction (Optional)

If you would like the Exterior Lever to face down instead of up, follow the steps below to swap the Exterior and Interior Levers.

- 1** Remove the Exterior Lever.
 - a. Remove the Exterior Assembly from the door and detach the Exterior Lever.
 - b. Rotate the Lever to align the Joint Point with the hole in the housing. Use the Reset Tool to press the Joint Point until it is fully depressed.
 - c. Pull out the Lever.



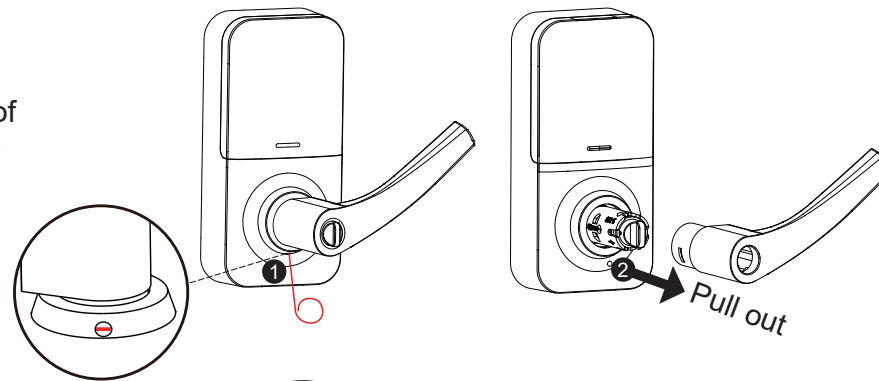


Installation Guide

Reverse the Lever Direction (Optional)

2 Remove the Interior Lever.

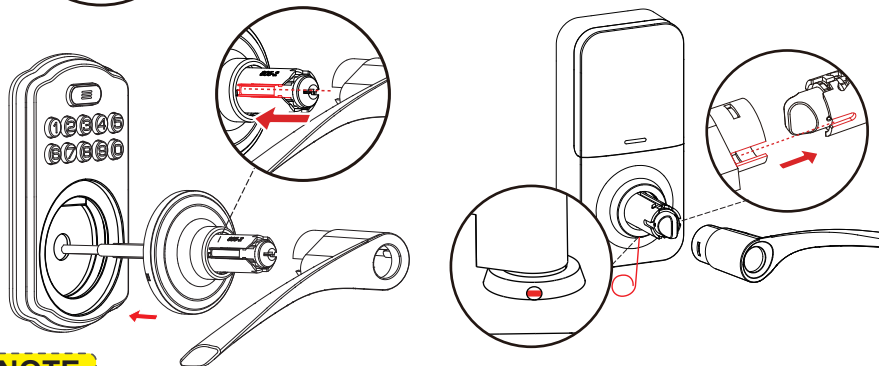
Press the hole at the bottom of the Interior Assembly with the Reset Tool, then pull out the Lever.



3 Exchange the Levers.

Swap the Exterior and Interior Levers. Insert each Lever and ensure it is securely installed.

Align the hole with the inside Joint Point.



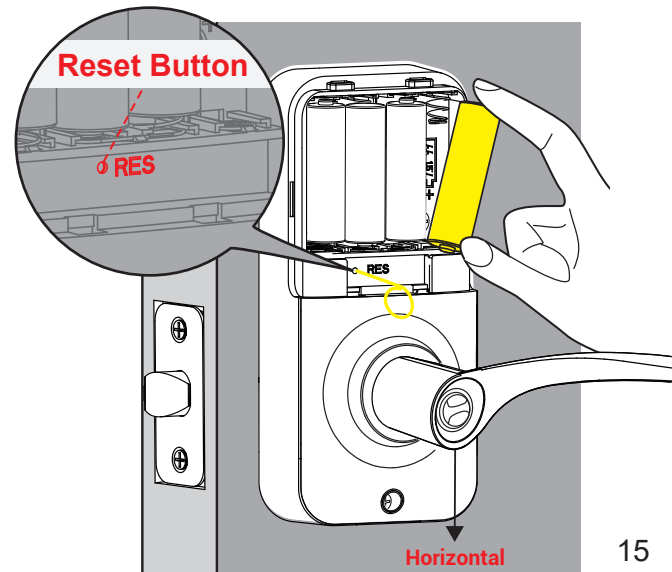
NOTE:

If the cylinder falls out, please reinsert it before attaching the Lever.

How to Reset

- 1** Keep the door open and turn the Thumb Turn to horizontal position (unlocked).
- 2** Press and hold the Reset Button using the provided Reset Tool. While holding the button, remove one battery, then reinsert it.
- 3** Continue holding the Reset Button for 5 seconds until you hear a "beep" sound. The Thumb Turn will automatically return to vertical position.

Settings	Factory Default
Master Code	12345678
Auto Lock	Enabled
Silent Mode	Disabled
Wrong Entry Limit	10 times
Shutdown Time	3 mins
Vacation Mode	Disabled





Troubleshooting

▶ Why does the Lever not move after installation is complete?

Please turn the Thumb Turn to the horizontal position to unlock. Once unlocked, the Lever can be pressed down.

▶ Why can't I open the door from the inside?

1. Use pliers or similar tools to grip the Thumb Turn and rotate it to horizontal position with force. Then, press the Lever to open the door.
2. Remove the Interior Assembly, manually rotate the Torque Blade to horizontal position, reinstall the Interior Assembly, and then press the Lever to open the door.

▶ Failed to reset.

1. If the battery indicator light keeps flashing, the battery is low. Please replace it with 4 new alkaline batteries.
2. Please refer to "**How to Reset**" section and perform a resetting again.

▶ The Interior Assembly Screws can't be tightened properly.

Press the Interior Assembly tightly, align the hole on the Interior Assembly with the screw thread on the Mounting Plate, then tighten the screws.

If you have any questions, please contact us at **+1(855)400-3853**.

✉ support@iveise.com



Information & Safety Warnings

- Protect your User Codes and Master Code.
- Restrict access to your lock's interior assembly and routinely check your settings to ensure they have not been altered without your knowledge.
- Do not use an electric screwdriver during installation.
- This manufacturer advises that no lock can provide complete security by itself.
- This lock may be defeated by forcible or technical means, or evaded by entry elsewhere on the property.
- No lock can substitute for caution, awareness of your environment, and common sense.
- Take care to ensure a long-lasting finish. Please use a soft and damp cloth to clean the lockset if you need. Using lacquer thinner, caustic soaps, abrasive cleaners or polishes could damage the coating and result in tarnishing.
- The lock is water resistant. It can withstand water splashes; however, do not let water and liquids get into the lock.
- Avoid exposure to direct sunlight. Long-term exposure to direct sunlight may damage the lock.

Need Help? Contact Us!

If you have any questions, please contact us at

 **+1(855)400-3853**

(Monday-Friday 9:00am-5:00pm PST)

 **support@iveise.com**  **iveise.com**

If you have your **order ID, videos or images of your problem** (if necessary) ready before contacting Customer Support, we will solve your problem faster and better.

V1.0