

VEVOR[®]

TOUGH TOOLS, HALF PRICE

Technical Support and E-Warranty Certificate www.vevor.com/support

LACROSSE GOAL

MODEL: YC-SS-LCN004

We continue to be committed to provide you tools with competitive price.

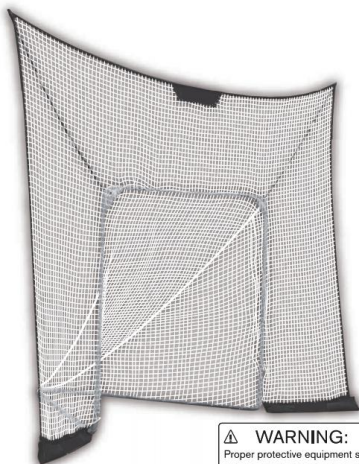
"Save Half", "Half Price" or any other similar expressions used by us only represents an estimate of savings you might benefit from buying certain tools with us compared to the major top brands and does not necessarily mean to cover all categories of tools offered by us. You are kindly reminded to verify carefully when you are placing an order with us if you are actually saving half in comparison with the top major brands.

VEVOR®

TOUGH TOOLS, HALF PRICE

LACROSSE GOAL

MODEL: YC-SS-LCN004



⚠ WARNING:
Proper protective equipment should be worn
whenever these lacrosse products are used.
Adult supervision is recommended.

NEED HELP? CONTACT US!

Have product questions? Need technical support? Please feel free to contact us:

Technical Support and E-Warranty Certificate
www.vevor.com/support

This is the original instruction, please read all manual instructions carefully before operating. VEVOR reserves a clear interpretation of our user manual. The appearance of the product shall be subject to the product you received. Please forgive us that we won't inform you again if there are any technology or software updates on our product.

Thank you very much for choosing this Lacrosse Goal . Please read all of the instructions before using it. The information will help you achieve the best possible results.

SAFETY ADVICE

SAFE WORKING PRACTICE

- ▶ Always inspect the goal post and net for defects before use and replace damaged parts.
- ▶ Do not use the goal with faulty parts.
- ▶ The goal must always be secured to the ground. Weights to be used on hard surfaces, ground anchors on grass.
- ▶ Never climb on the net or the goal frame. The goal must never be used without the net fitted. Please always adhere to the safety instructions.
- ▶ Remove all weights and anchors before moving or disassembling the goal. Do not use the goal in windy weather.
- ▶ Do not use the goal in sub zero temperatures. We advise adult supervision during assembly and use. Do not drop any heavy objects on the tubes.
- ▶ When dismantling the goal ensure that all fittings are packed away, and none are left on the playing surface.

WARNING:

Check regularly that pegs are secure. Loose pegs may cause injury. Care should be taken when using a mallet as misuse may cause injury.

SPECIFICATIONS

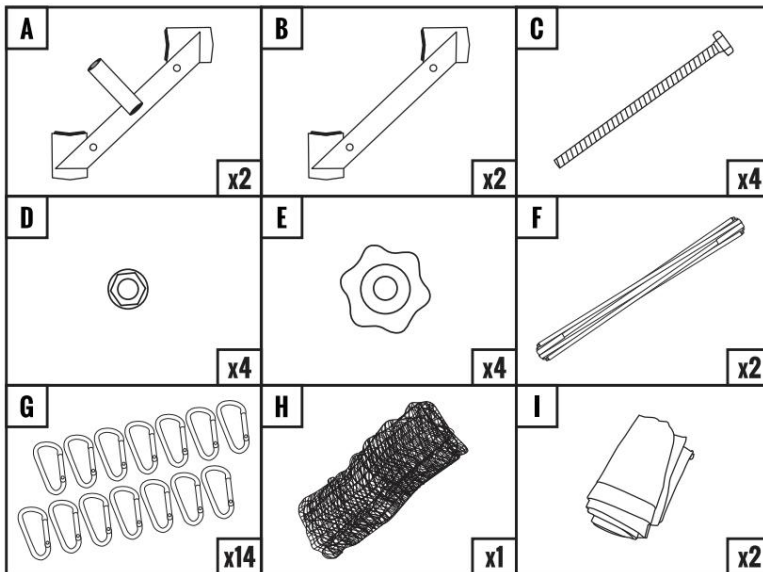
Model	YC-SS-LCN004
Color	Black, Orange
Adaptive goal size	12*9ft

PART LIST

Note: Refer to part numbers and be sure all parts are included.

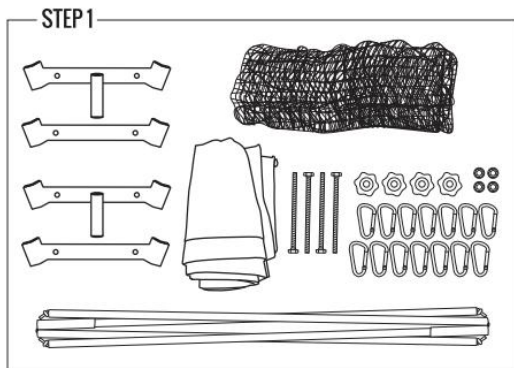
1) Preparation for Assembly

- Lay out all parts within easy reach
- Read instructions completely before starting assembly.
- Assemble goal on smooth, flat surface



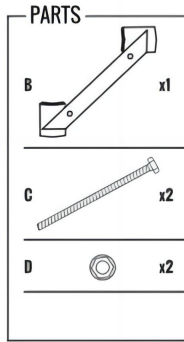
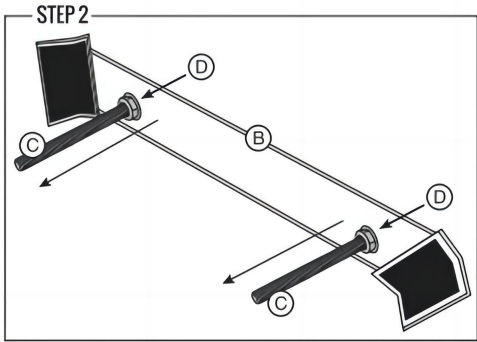
2) Goal Assembly

- Assemble all pieces of tubing as shown
- Be sure all pieces are completely inserted until locking buttons snap into place



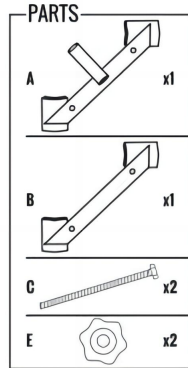
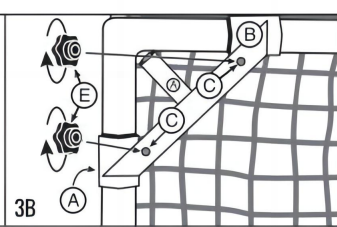
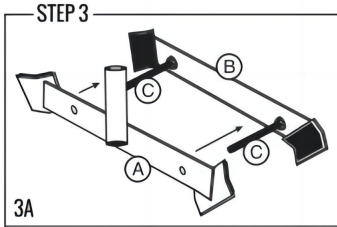
NOTE

Unwrap and lay out all parts.



NOTE

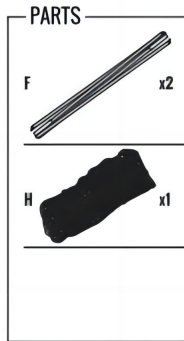
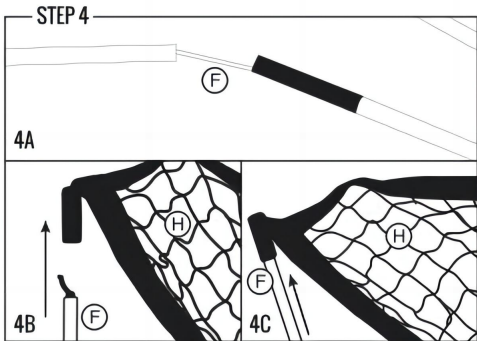
Insert Part C into Part B as shown, and fasten with Part D.



NOTE

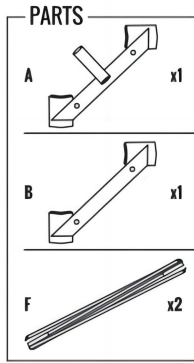
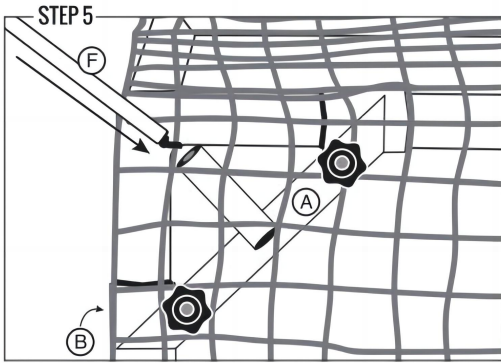
Complete the assembly of the backstop base with Part C as shown. Then fasten the base to one of the top corners of the goal using Part E. Make sure part A is facing the back of the net.

NOTE: Repeat steps 2 and 3 for the opposite top corner.



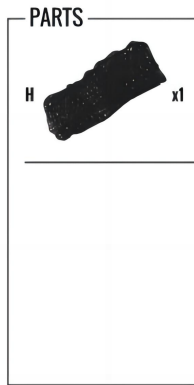
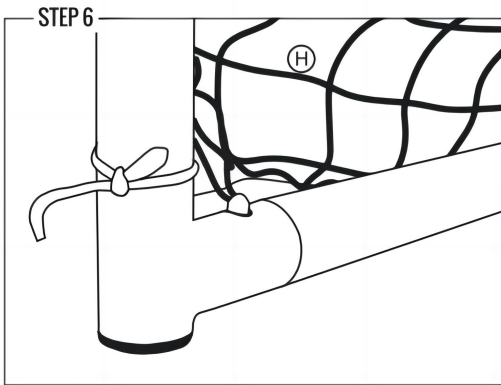
NOTE

Assemble fiberglass poles, and insert the top of each pole into each top corner cap of the goal net.



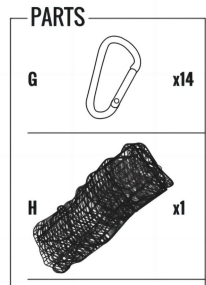
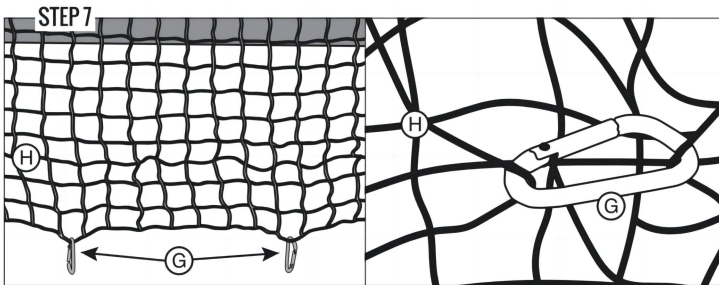
NOTE

Insert the bottom of each fiberglass pole into the backstop base.



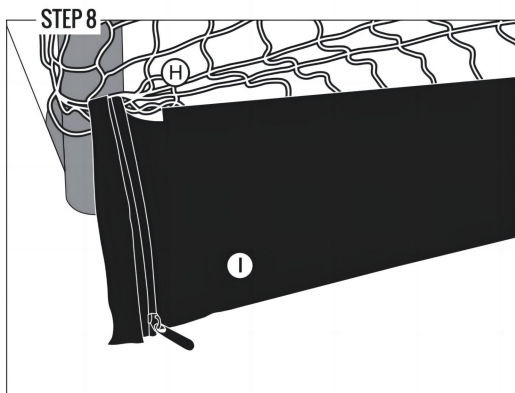
NOTE

Use the rope ties that are applied to the bottom inner corners of the netting to tie the backstop net to each goal post.



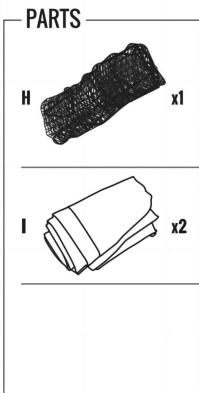
NOTE

Drape the backstop netting in front of goal. Use steel clips to attach backstop netting to the inside of the goal netting.



NOTE

Fill sand bags (sand not included) and fasten to backstop netting using self-stick straps.



CLEANING AND MAINTENANCE

► Clean the stand with a wet towel, the Net can be removed for washing and allowed to dry naturally.

Address: Baoshanqu Shuangchenglu 803long 11hao 1602A-1609shi
Shanghai

Imported to AUS: SIHAO PTY LTD, 1 ROKEVA STREETEASTWOOD
NSW 2122 Australia

Imported to USA: Sanven Technology Ltd., Suite 250, 9166 Anaheim
Place, Rancho Cucamonga, CA 91730



Pooledas Group Ltd
Unit 5 Albert Edward House, The Pavilions
Preston, United Kingdom



SHUNSHUN GmbH
Römeräcker 9 Z2021, 76351
Linkenheim-Hochstetten, Germany

VEVOR[®]

TOUGH TOOLS, HALF PRICE

Technical Support and E-Warranty Certificate

www.vevor.com/support

VEVOR[®]

TOUGH TOOLS, HALF PRICE

Techniczny Wsparcie i certyfikat gwarancji elektronicznej www.vevor.com/support

BRAMKA LACROSSE

MODELKA : YC-SS-LCN00 4

We continue to be committed to provide you tools with competitive price.

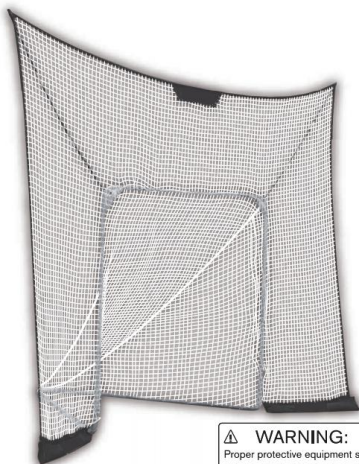
"Save Half", "Half Price" or any other similar expressions used by us only represents an estimate of savings you might benefit from buying certain tools with us compared to the major top brands and does not necessarily mean to cover all categories of tools offered by us. You are kindly reminded to verify carefully when you are placing an order with us if you are actually saving half in comparison with the top major brands.

VEVOR®

TOUGH TOOLS, HALF PRICE

LACROSSE GOAL

MODELKA : YC-SS-LCN00 4



WARNING:
Proper protective equipment should be worn
whenever these lacrosse products are used.
Adult supervision is recommended.

NEED HELP? CONTACT US!

Have product questions? Need technical support? Please feel free to contact us:

Technical Support and E-Warranty Certificate
www.vevor.com/support

This is the original instruction, please read all manual instructions carefully before operating. VEVOR reserves a clear interpretation of our user manual. The appearance of the product shall be subject to the product you received. Please forgive us that we won't inform you again if there are any technology or software updates on our product.

Dziękujemy bardzo za wybranie tego Cel Lacrosse . Przed użyciem przeczytaj wszystkie instrukcje. Informacje pomogą Ci osiągnąć najlepsze możliwe rezultaty.

SAFETY ADVICE

BEZPIECZNE PRAKTYKI PRACY

- ▶ Przed użyciem należy zawsze sprawdzić, czy słupki bramki i siatka nie mają uszkodzeń i wymienić uszkodzone części.
- ▶ Nie używaj bramki z uszkodzonymi częściami.
- ▶ Bramka musi być zawsze przymocowana do podłoża. Ciężarki należy stosować na twardych powierzchniach, kotwy gruntowe na trawie.
- ▶ Nigdy nie wspinaj się na siatkę lub konstrukcję bramki. Bramki nie wolno używać bez założonej siatki. Zawsze przestrzegaj instrukcji bezpieczeństwa.
- ▶ Przed przeprowadzką lub demontaż bramki. Nie należy używać bramki przy wietrznej pogodzie.
- ▶ Nie należy używać bramki w temperaturach poniżej zera. Zalecamy nadzór osoby dorosłej podczas montażu i użytkowania. Nie należy upuszczać ciężkich przedmiotów na rury.
- ▶ Podczas demontażu bramki upewnij się, że wszystkie elementy są schowane i żadne z nich nie jest uszkodzone . pozostawione na powierzchni gry.

OSTRZEŻENIE:

Regularnie sprawdzaj, czy kołki są dobrze zamocowane. Luźne kołki mogą spowodować obrażenia . Należy zachować ostrożność podczas używania młotka, ponieważ niewłaściwe użycie może spowodować obrażenia.

SPECIFICATIONS

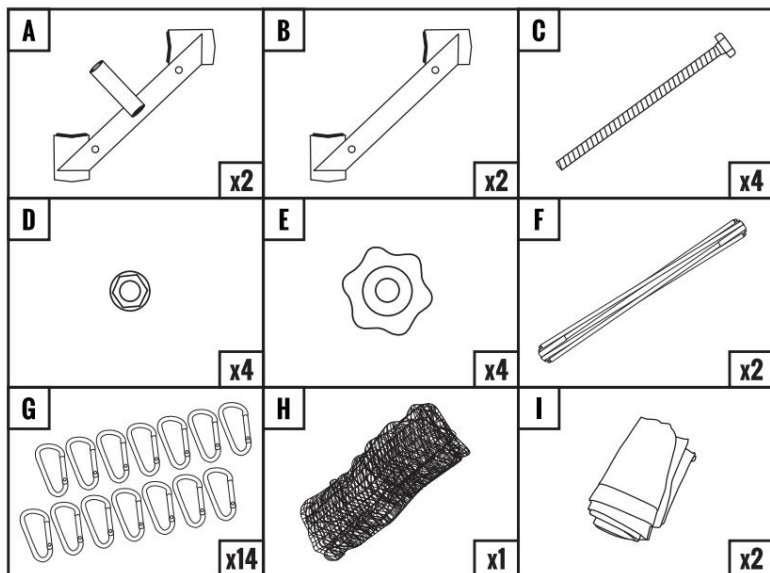
Model	YC-SS-LCN004
Kolor	Czarny, pomarańczowy
Adaptacyjny rozmiar celu	12*9 stóp

PART LIST

Note: Refer to part numbers and be sure all parts are included.

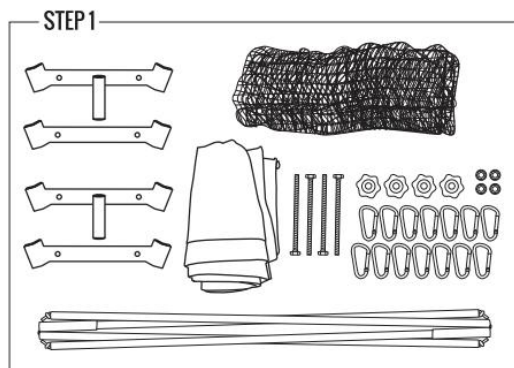
1) Przygotowanie do montażu

- Rozłóż wszystkie części w miejscu łatwo dostępnym
- Przed rozpoczęciem montażu należy dokładnie przeczytać instrukcję .
- Złóż bramkę na gładkiej, płaskiej powierzchni



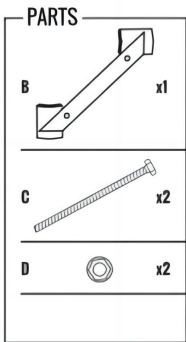
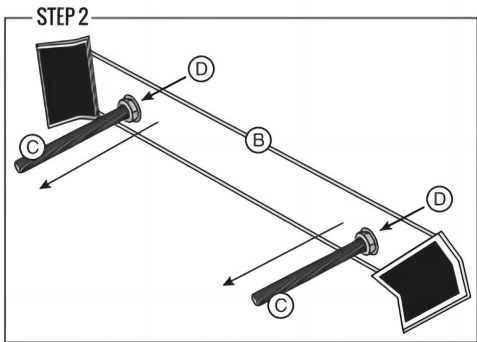
2) Zgromadzenie Celów

- Złóż wszystkie części rurki, jak pokazano na rysunku.
- Upewnij się, że wszystkie części są całkowicie włożone, aż przyciski blokujące zatrzasną się na swoim miejscu.



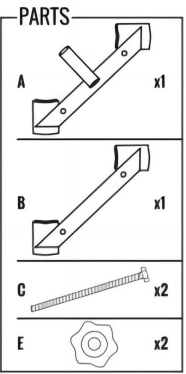
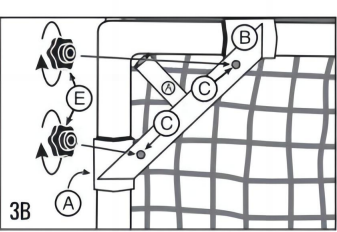
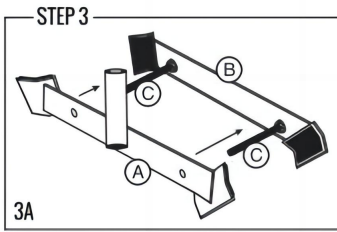
NOTE

Unwrap and lay out all parts.



NOTE

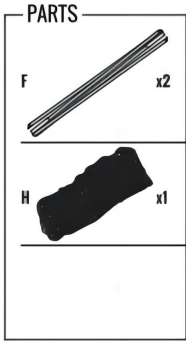
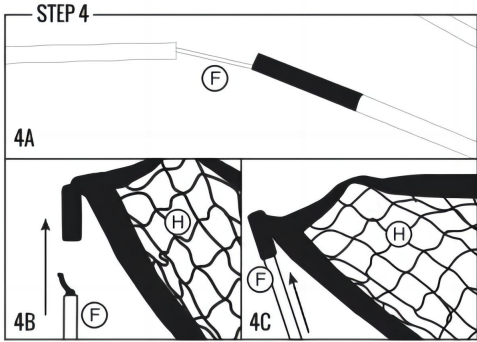
Insert Part C into Part B as shown, and fasten with Part D.



NOTE

Complete the assembly of the backstop base with Part C as shown. Then fasten the base to one of the top corners of the goal using Part E. Make sure part A is facing the back of the net.

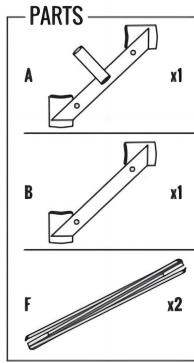
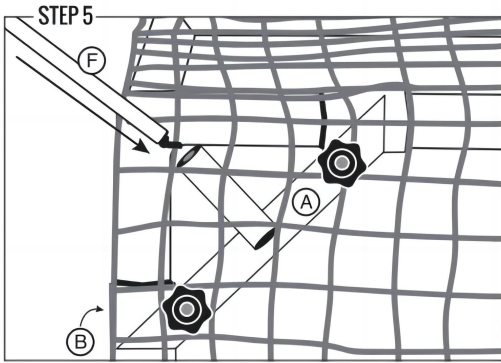
NOTE: Repeat steps 2 and 3 for the opposite top corner.



NOTE

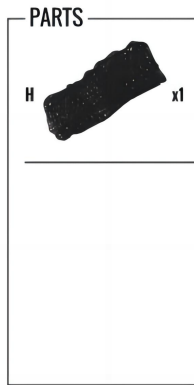
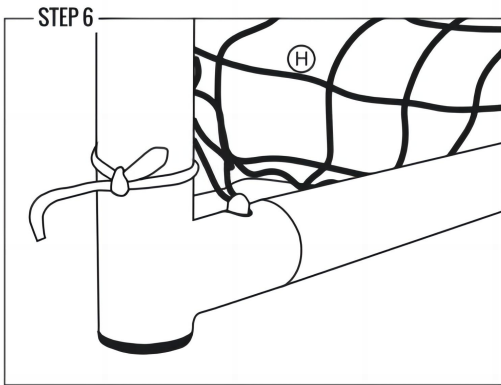
Assemble fiberglass poles, and insert the top of each pole into each top corner cap of the goal net.





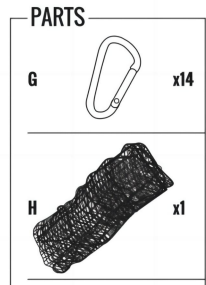
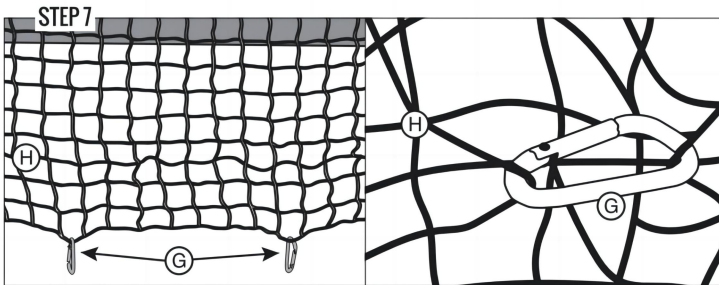
NOTE

Insert the bottom of each fiberglass pole into the backstop base.



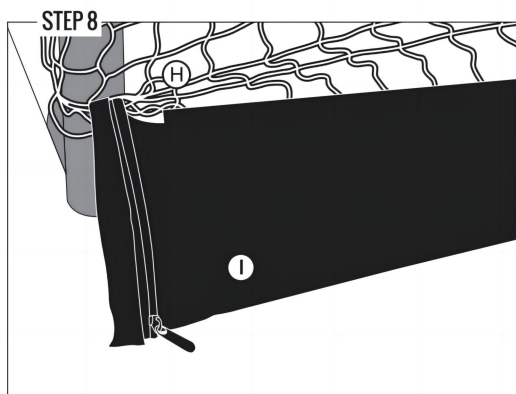
NOTE

Use the rope ties that are applied to the bottom inner corners of the netting to tie the backstop net to each goal post.



NOTE

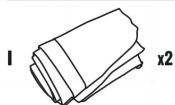
Drape the backstop netting in front of goal. Use steel clips to attach backstop netting to the inside of the goal netting.



NOTE

Fill sand bags (sand not included) and fasten to backstop netting using self-stick straps.

PARTS



CLEANING AND MAINTENANCE

- Wyczyść stojak wilgotnym ręcznikiem, siatkę można zdjąć do prania i pozostawić do naturalnego wyschnięcia.

Adres: Baoshanqu Shuangchenglu 803long 11hao 1602A-1609shi
Szanghaj

Importowane do AUS: SIHAO PTY LTD, 1 ROKEVA
STREETEASTWOOD NSW 2122 Australia

Importowane do USA: Sanven Technology Ltd., Suite 250, 9166 Anaheim
Place, Rancho Cucamonga, CA 91730



Pooledas Group Ltd
Unit 5 Albert Edward House, The Pavilions
Preston, United Kingdom



SHUNSHUN GmbH
Römeräcker 9 Z2021, 76351
Linkenheim-Hochstetten, Germany

VEVOR[®]

TOUGH TOOLS, HALF PRICE

Techniczny Wsparcie i certyfikat e-gwarancji

www.vevor.com/support

VEVOR[®]

TOUGH TOOLS, HALF PRICE

Technisch Support und E-Garantie-Zertifikat www.vevor.com/support

LACROSSE-TOR

MODELL : YC-SS-LCN00 4

We continue to be committed to provide you tools with competitive price.

"Save Half", "Half Price" or any other similar expressions used by us only represents an estimate of savings you might benefit from buying certain tools with us compared to the major top brands and does not necessarily mean to cover all categories of tools offered by us. You are kindly reminded to verify carefully when you are placing an order with us if you are actually saving half in comparison with the top major brands.

VEVOR[®]

TOUGH TOOLS, HALF PRICE

LACROSSE GOAL

MODELL : YC-SS-LCN00 4



⚠ WARNING:
Proper protective equipment should be worn
whenever these lacrosse products are used.
Adult supervision is recommended.

NEED HELP? CONTACT US!

Have product questions? Need technical support? Please feel free to contact us:

Technical Support and E-Warranty Certificate
www.vevor.com/support

This is the original instruction, please read all manual instructions carefully before operating. VEVOR reserves a clear interpretation of our user manual. The appearance of the product shall be subject to the product you received. Please forgive us that we won't inform you again if there are any technology or software updates on our product.

Vielen Dank für die Wahl dieses Lacrosse-Tor . Bitte lesen Sie vor der Verwendung alle Anweisungen. Die Informationen helfen Ihnen, die bestmöglichen Ergebnisse zu erzielen.

SAFETY ADVICE

SICHERE ARBEITSPRAXIS

- ▶ Überprüfen Sie Torpfosten und Netz vor dem Gebrauch unbedingt auf Defekte und ersetzen Sie beschädigte Teile.
- ▶ Verwenden Sie das Tor nicht mit defekten Teilen.
- ▶ Das Tor muss immer am Boden befestigt werden. Auf harten Oberflächen sind Gewichte zu verwenden, auf Gras Bodenanker.
- ▶ Steigen Sie niemals auf das Netz oder den Torrahmen. Das Tor darf nie ohne montiertes Netz benutzt werden. Beachten Sie unbedingt die Sicherheitshinweise.
- ▶ Entfernen Sie alle Gewichte und Anker, bevor Sie das Gerät bewegen oder Abbau des Tores. Benutzen Sie das Tor nicht bei windigem Wetter.
- ▶ Verwenden Sie das Tor nicht bei Temperaturen unter Null. Wir empfehlen eine Aufsicht durch Erwachsene während der Montage und Verwendung. Lassen Sie keine schweren Gegenstände auf die Rohre fallen.
- ▶ Beim Abbau des Tores ist darauf zu achten , dass alle Beschläge verstaut sind und keine auf der Spielfläche belassen.

WARNUNG:

Überprüfen Sie regelmäßig, ob die Heringe fest sitzen. Lose Heringe können Verletzungen verursachen . Gehen Sie bei der Verwendung eines Hammers vorsichtig vor, da ein unsachgemäßer Gebrauch zu Verletzungen führen kann.

SPECIFICATIONS

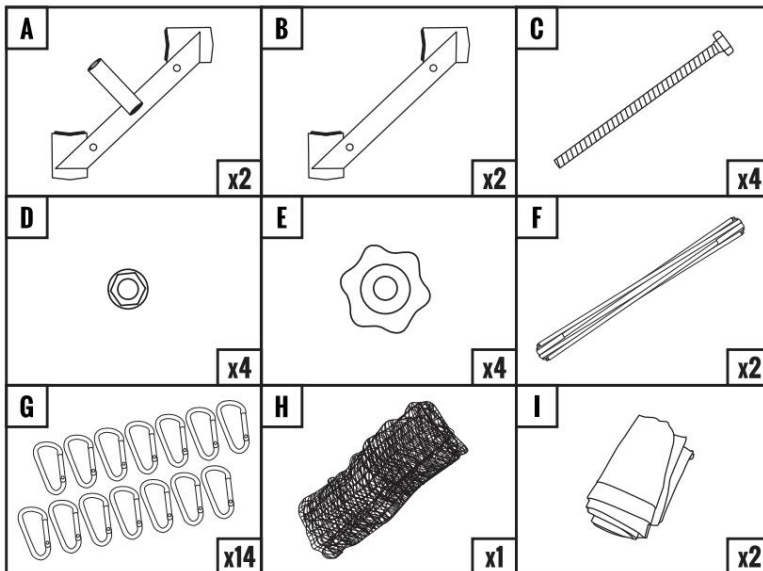
Modell	YC-SS-LCN004
Farbe	Schwarz, Orange
Adaptive Zielgröße	12*9 Fuß

PART LIST

Note: Refer to part numbers and be sure all parts are included.

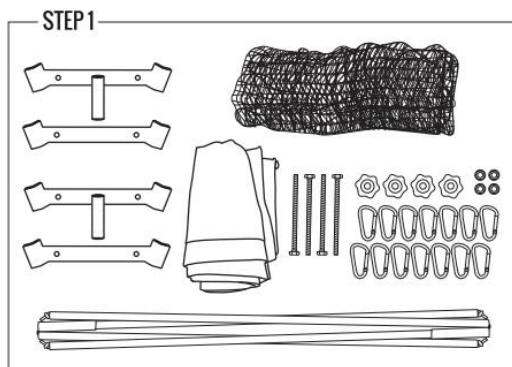
1) Vorbereitung für die Montage

- Legen Sie alle Teile griffbereit bereit
- Lesen Sie die Anleitung vollständig durch, bevor Sie mit der Montage beginnen .
- Tor auf glatter, ebener Fläche aufbauen



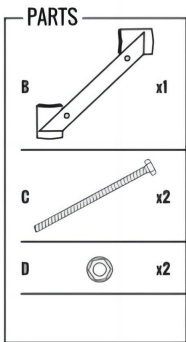
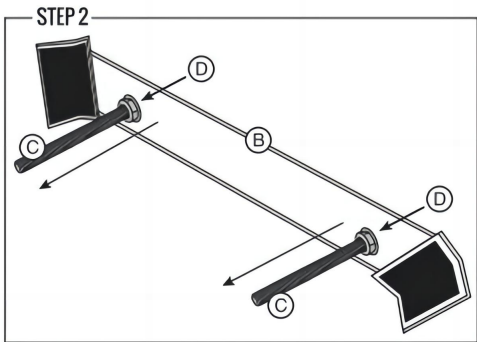
2) Torversammlung

- Alle Rohrstücke wie gezeigt zusammenfügen
- Stellen Sie sicher, dass alle Teile vollständig eingesteckt sind, bis die Verriegelungsknöpfe einrasten



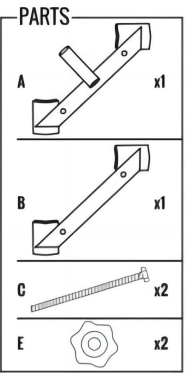
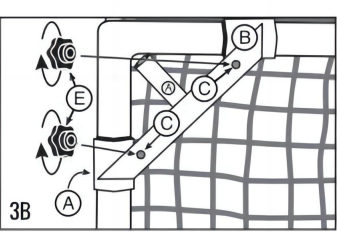
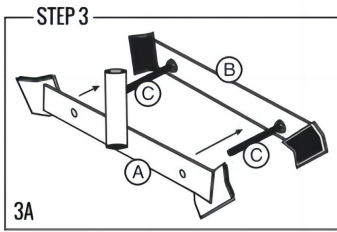
NOTE

Unwrap and lay out all parts.



NOTE

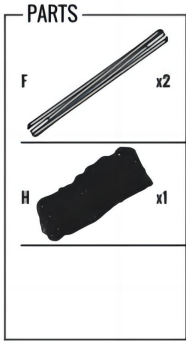
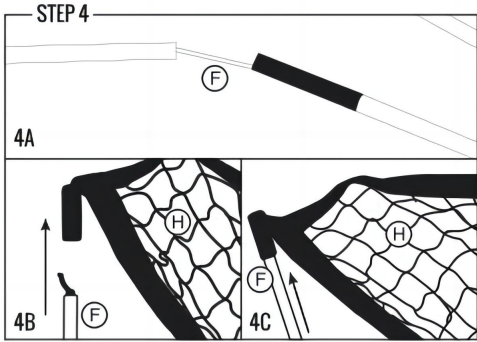
Insert Part C into Part B as shown, and fasten with Part D.



NOTE

Complete the assembly of the backstop base with Part C as shown. Then fasten the base to one of the top corners of the goal using Part E. Make sure part A is facing the back of the net.

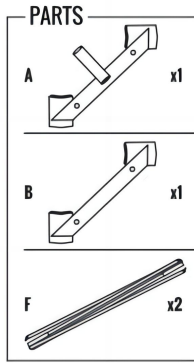
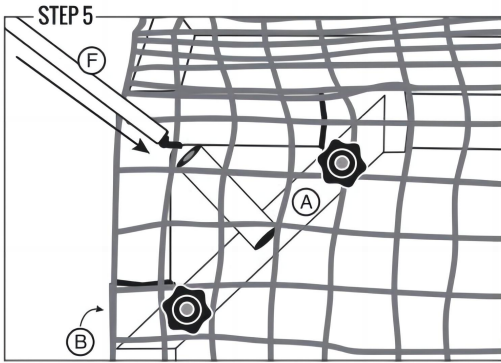
NOTE: Repeat steps 2 and 3 for the opposite top corner.



NOTE

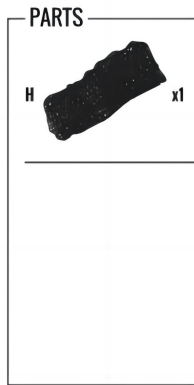
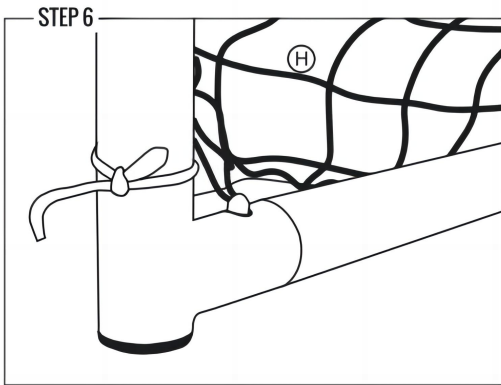
Assemble fiberglass poles, and insert the top of each pole into each top corner cap of the goal net.





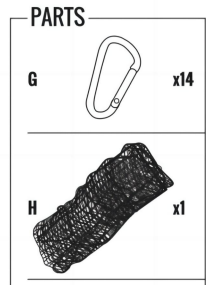
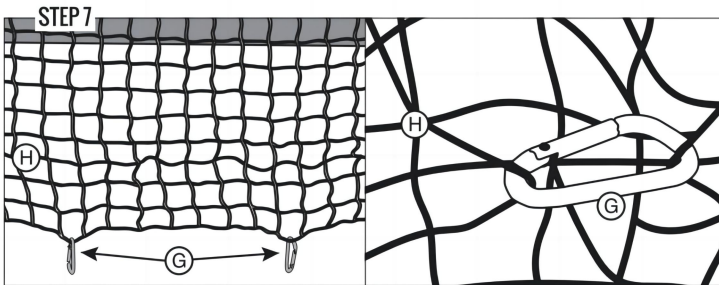
NOTE

Insert the bottom of each fiberglass pole into the backstop base.



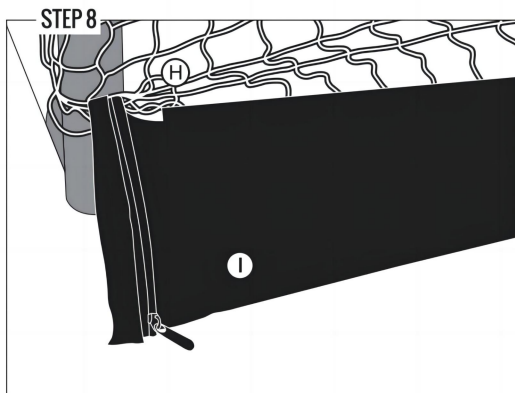
NOTE

Use the rope ties that are applied to the bottom inner corners of the netting to tie the backstop net to each goal post.



NOTE

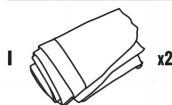
Drape the backstop netting in front of goal. Use steel clips to attach backstop netting to the inside of the goal netting.



NOTE

Fill sand bags (sand not included) and fasten to backstop netting using self-stick straps.

PARTS



CLEANING AND MAINTENANCE

► Reinigen Sie den Ständer mit einem feuchten Handtuch. Das Netz kann zum Waschen abgenommen und an der Luft trocknen gelassen werden.

Adresse: Baoshanqu Shuangchenglu 803long 11hao 1602A-1609shi
Shanghai

Nach AUS importiert: SIHAO PTY LTD, 1 ROKEVA
STREETEASTWOOD NSW 2122 Australien

Importiert in die USA: Sanven Technology Ltd., Suite 250, 9166 Anaheim
Place, Rancho Cucamonga, CA 91730

UK	REP
-----------	------------

Pooledas Group Ltd
Unit 5 Albert Edward House, The Pavilions
Preston, United Kingdom

EC	REP
-----------	------------

SHUNSHUN GmbH
Römeräcker 9 Z2021, 76351
Linkenheim-Hochstetten, Germany

VEVOR[®]
TOUGH TOOLS, HALF PRICE

Technisch Support und E-Garantie-Zertifikat
www.vevor.com/support

VEVOR[®]

TOUGH TOOLS, HALF PRICE

Technique Certificat d'assistance et de garantie électronique

www.vevor.com/support

BUT DE CROSSE

MODÈLE : YC-SS- LCN00-4

We continue to be committed to provide you tools with competitive price.

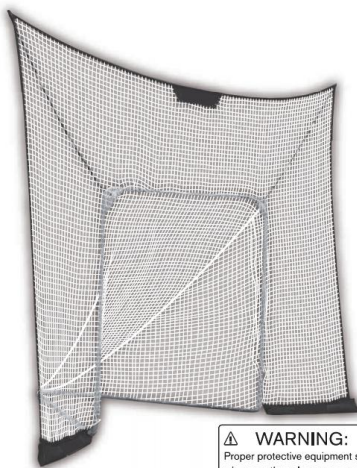
"Save Half", "Half Price" or any other similar expressions used by us only represents an estimate of savings you might benefit from buying certain tools with us compared to the major top brands and does not necessarily mean to cover all categories of tools offered by us. You are kindly reminded to verify carefully when you are placing an order with us if you are actually saving half in comparison with the top major brands.

VEVOR®

TOUGH TOOLS, HALF PRICE

LACROSSE GOAL

MODÈLE : YC-SS- LCN00-4



⚠ WARNING:
Proper protective equipment should be worn
whenever these lacrosse products are used.
Adult supervision is recommended.

NEED HELP? CONTACT US!

Have product questions? Need technical support? Please feel free to contact us:

Technical Support and E-Warranty Certificate
www.vevor.com/support

This is the original instruction, please read all manual instructions carefully before operating. VEVOR reserves a clear interpretation of our user manual. The appearance of the product shall be subject to the product you received. Please forgive us that we won't inform you again if there are any technology or software updates on our product.

Merci beaucoup d'avoir choisi ceci But de crosse . Veuillez lire toutes les instructions avant de l'utiliser. Ces informations vous aideront à obtenir les meilleurs résultats possibles.

SAFETY ADVICE

PRATIQUES DE TRAVAIL SÉCURITAIRES

- ▶ Inspectez toujours le poteau de but et le filet pour détecter d'éventuels défauts avant utilisation et remplacez les pièces endommagées.
- ▶ N'utilisez pas l'objectif avec des pièces défectueuses.
- ▶ Le but doit toujours être fixé au sol. Poids à utiliser sur surfaces dures, ancrages au sol sur gazon.
- ▶ Ne jamais grimper sur le filet ou sur le cadre du but. Le but ne doit jamais être utilisé sans le filet installé. Veuillez toujours respecter les consignes de sécurité.
- ▶ Retirez tous les poids et ancrages avant de déplacer ou démontage du but. Ne pas utiliser le but par temps venteux.
- ▶ N'utilisez pas le but à des températures inférieures à zéro. Nous conseillons la surveillance d'un adulte pendant l'assemblage et l'utilisation. Ne laissez pas tomber d'objets lourds sur les tubes.
- ▶ Lors du démontage du but , assurez-vous que tous les accessoires sont emballés et qu'aucun n'est laissé sur la surface de jeu.

AVERTISSEMENT:

Vérifiez régulièrement que les piquets sont bien fixés. Des piquets desserrés peuvent provoquer des blessures . Soyez prudent lorsque vous utilisez un maillet, car une mauvaise utilisation peut provoquer des blessures.

SPECIFICATIONS

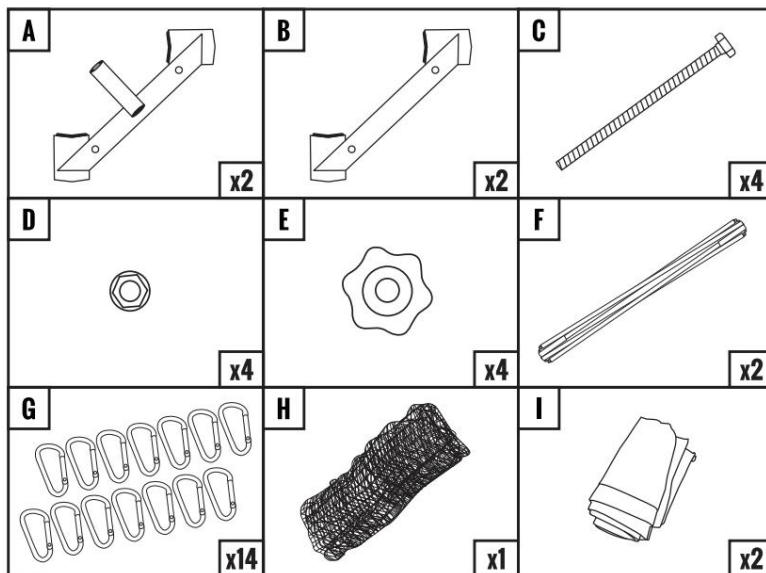
Modèle	YC-SS-LCN004
Couleur	Noir, Orange
Taille d'objectif adaptative	12*9 pieds

PART LIST

Note: Refer to part numbers and be sure all parts are included.

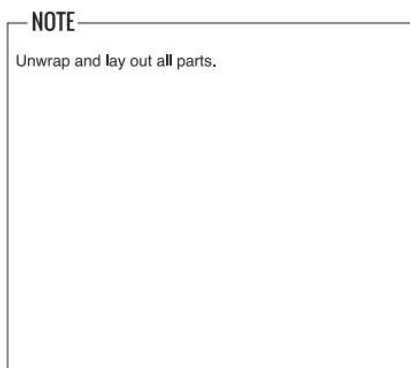
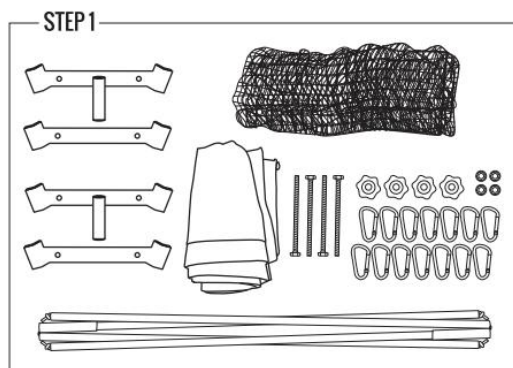
1) Préparation pour l'assemblage

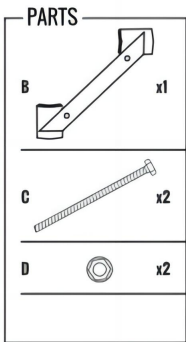
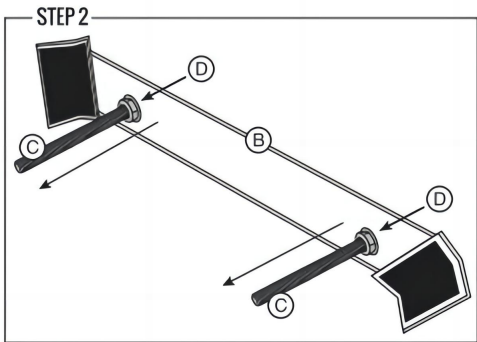
- Disposer toutes les pièces à portée de main
- Lisez entièrement les instructions avant de commencer l'assemblage .
- Assembler le but sur une surface lisse et plane



2) Assemblée des objectifs

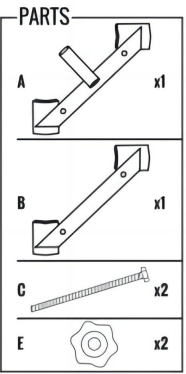
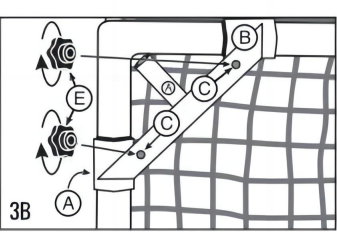
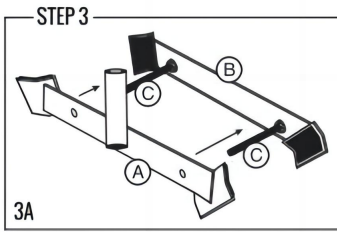
- Assemblez tous les morceaux de tubes comme indiqué
- Assurez-vous que toutes les pièces sont complètement insérées jusqu'à ce que les boutons de verrouillage s'enclenchent





NOTE

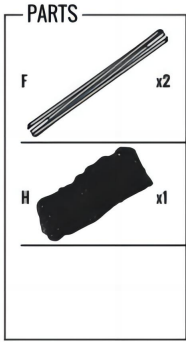
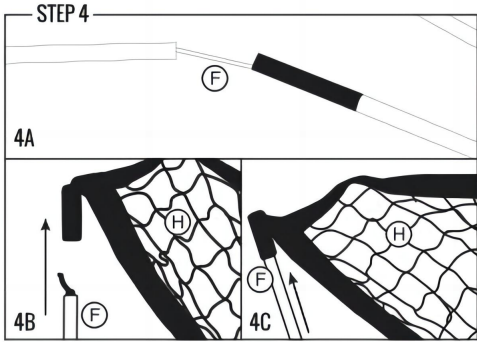
Insert Part C into Part B as shown, and fasten with Part D.



NOTE

Complete the assembly of the backstop base with Part C as shown. Then fasten the base to one of the top corners of the goal using Part E. Make sure part A is facing the back of the net.

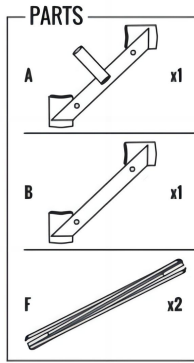
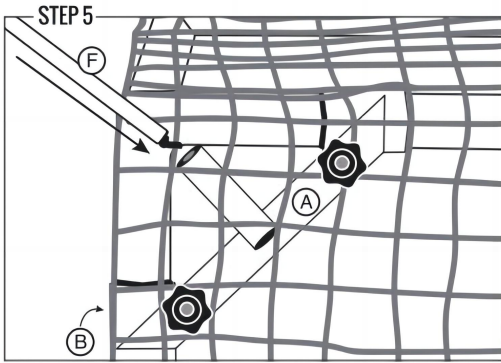
NOTE: Repeat steps 2 and 3 for the opposite top corner.



NOTE

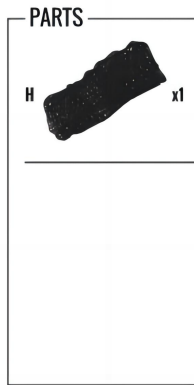
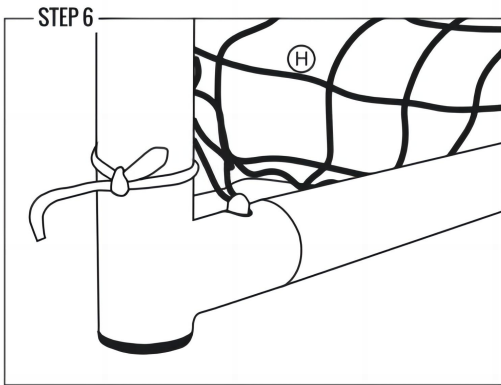
Assemble fiberglass poles, and insert the top of each pole into each top corner cap of the goal net.





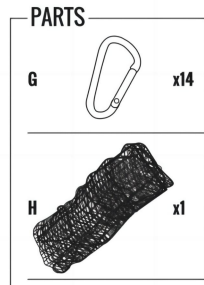
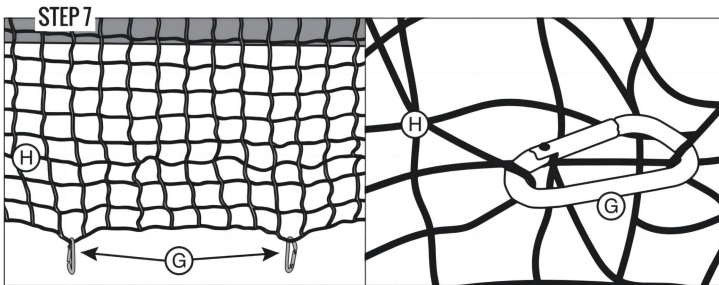
NOTE

Insert the bottom of each fiberglass pole into the backstop base.



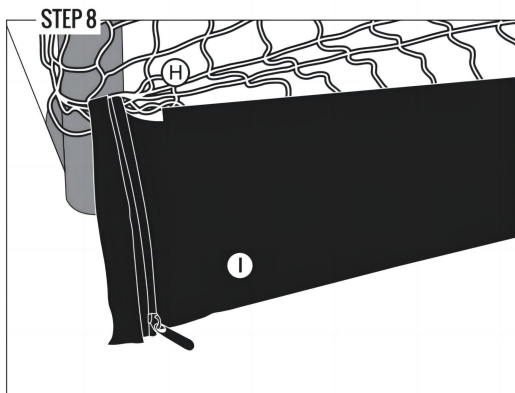
NOTE

Use the rope ties that are applied to the bottom inner corners of the netting to tie the backstop net to each goal post.



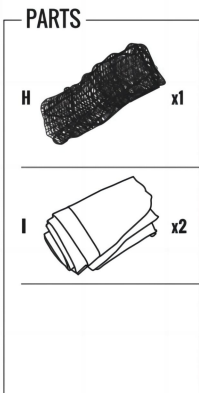
NOTE

Drape the backstop netting in front of goal. Use steel clips to attach backstop netting to the inside of the goal netting.



NOTE

Fill sand bags (sand not included) and fasten to backstop netting using self-stick straps.



CLEANING AND MAINTENANCE

► Nettoyez le support avec une serviette humide, le filet peut être retiré pour le laver et laissé sécher naturellement.

Adresse : Baoshanqu Shuangchenglu 803long 11hao 1602A-1609shi
Shanghai

Importé en Australie : SIHAO PTY LTD, 1 ROKEVA STREET, ASTWOOD
NSW 2122 Australie

Importé aux États-Unis : Sanven Technology Ltd., Suite 250, 9166
Anaheim Place, Rancho Cucamonga, CA 91730



Pooledas Group Ltd
Unit 5 Albert Edward House, The Pavilions
Preston, United Kingdom



SHUNSHUN GmbH
Römeräcker 9 Z2021, 76351
Linkenheim-Hochstetten, Germany

VEVOR®

TOUGH TOOLS, HALF PRICE

Technique Certificat d'assistance et de garantie électronique
www.vevor.com/support

VEVOR[®]

TOUGH TOOLS, HALF PRICE

Technisch Ondersteuning en E-garantiecertificaat www.vevor.com/support

LACROSSE-DOELPUNT

MODEL : YC-SS-LCN00 4

We continue to be committed to provide you tools with competitive price.

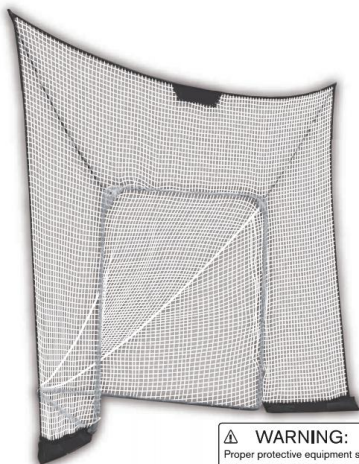
"Save Half", "Half Price" or any other similar expressions used by us only represents an estimate of savings you might benefit from buying certain tools with us compared to the major top brands and does not necessarily mean to cover all categories of tools offered by us. You are kindly reminded to verify carefully when you are placing an order with us if you are actually saving half in comparison with the top major brands.

VEVOR®

TOUGH TOOLS, HALF PRICE

LACROSSE GOAL

MODEL : YC-SS-LCN00 4



⚠ WARNING:
Proper protective equipment should be worn
whenever these lacrosse products are used.
Adult supervision is recommended.

NEED HELP? CONTACT US!

Have product questions? Need technical support? Please feel free to contact us:

Technical Support and E-Warranty Certificate
www.vevor.com/support

This is the original instruction, please read all manual instructions carefully before operating. VEVOR reserves a clear interpretation of our user manual. The appearance of the product shall be subject to the product you received. Please forgive us that we won't inform you again if there are any technology or software updates on our product.

Hartelijk dank dat u hiervoor heeft gekozen Lacrosse Goal . Lees alle instructies voordat u het gebruikt. De informatie zal u helpen de best mogelijke resultaten te behalen.

SAFETY ADVICE

VEILIGE WERKPRAKTIJK

- ▶ Controleer de doelpaal en het net altijd op gebreken voordat u het gebruikt en vervang beschadigde onderdelen.
- ▶ Gebruik het doel niet met defecte onderdelen.
- ▶ Het doel moet altijd aan de grond worden vastgemaakt. Gewichten moeten op harde oppervlakken worden gebruikt, grondankers op gras.
- ▶ Klim nooit op het net of het doelframe. Het doel mag nooit worden gebruikt zonder dat het net is bevestigd. Houd u altijd aan de veiligheidsinstructies.
- ▶ Verwijder alle gewichten en ankers voordat u gaat verplaatsen of het demonteren van het doel. Gebruik het doel niet bij winderig weer.
- ▶ Gebruik het doel niet bij temperaturen onder het vriespunt. Wij adviseren toezicht van volwassenen tijdens de montage en het gebruik. Laat geen zware voorwerpen op de buizen vallen.
- ▶ Zorg er bij het demonteren van het doel voor dat alle onderdelen zijn opgeborgen en dat er geen onderdelen zijn op het speelveld achtergelaten.

WAARSCHUWING:

Controleer regelmatig of de pennen goed vastzitten. Losse pennen kunnen letsel veroorzaken . Wees voorzichtig bij het gebruik van een hamer, want verkeerd gebruik kan letsel veroorzaken.

SPECIFICATIONS

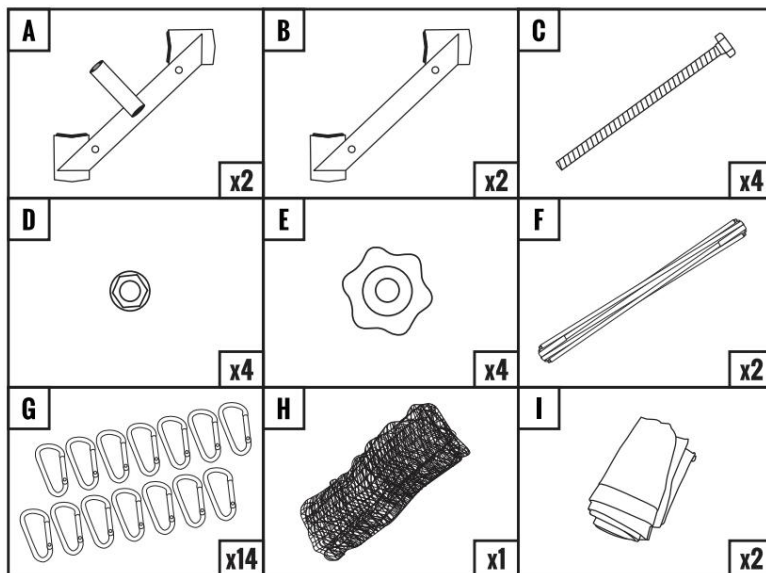
Model	YC-SS-LCN004
Kleur	Zwart, Oranje
Adaptieve doelgrootte	12*9 voet

PART LIST

Note: Refer to part numbers and be sure all parts are included.

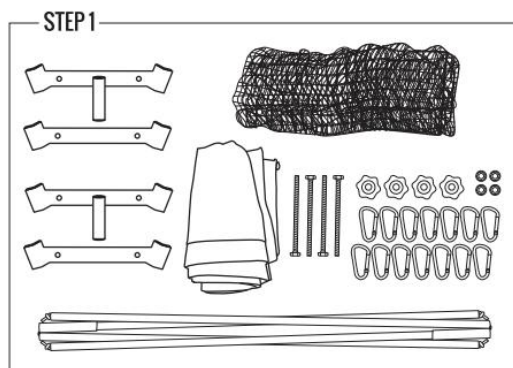
1) Voorbereiding voor de montage

- Leg alle onderdelen binnen handbereik neer
- Lees de instructies volledig door voordat u met de montage begint .
- Monteer het doel op een glad, vlak oppervlak



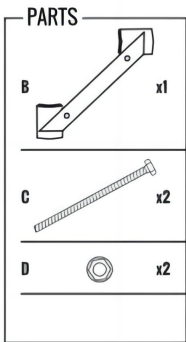
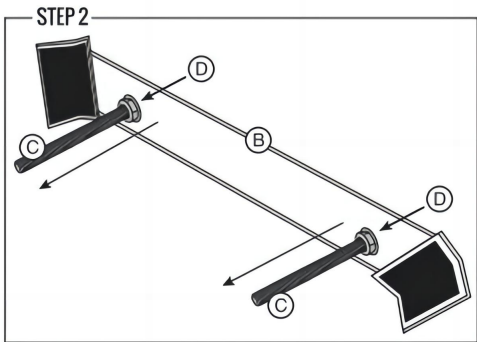
2) Doelstelling Montage

- Monteer alle stukken buis zoals afgebeeld
- Zorg ervoor dat alle onderdelen volledig zijn ingebracht totdat de vergrendelingsknoppen op hun plaats klikken



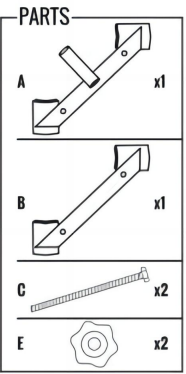
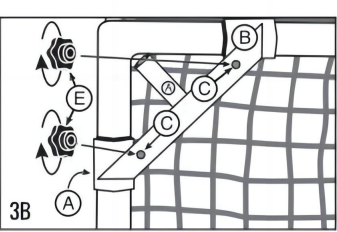
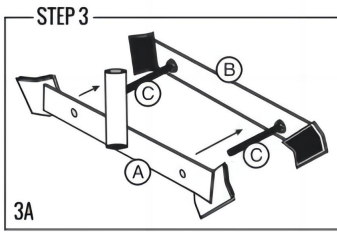
NOTE

Unwrap and lay out all parts.



NOTE

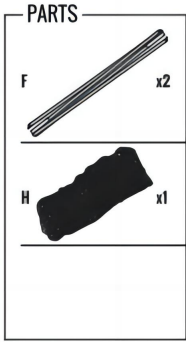
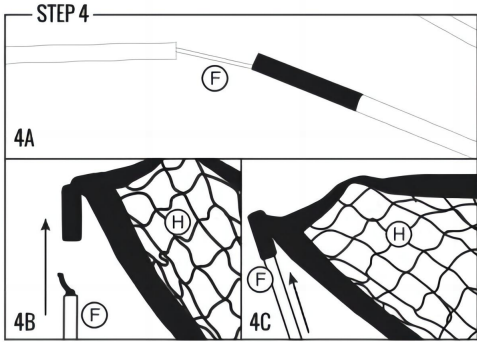
Insert Part C into Part B as shown, and fasten with Part D.



NOTE

Complete the assembly of the backstop base with Part C as shown. Then fasten the base to one of the top corners of the goal using Part E. Make sure part A is facing the back of the net.

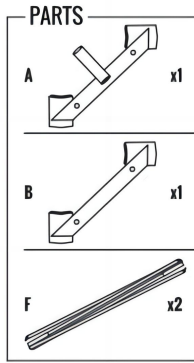
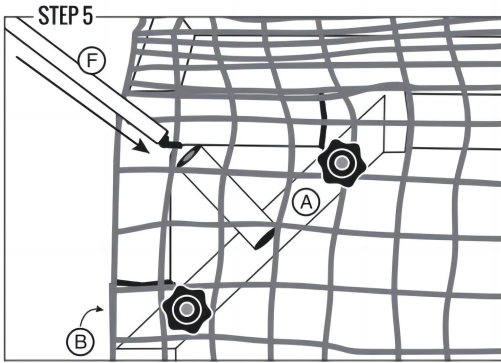
NOTE: Repeat steps 2 and 3 for the opposite top corner.



NOTE

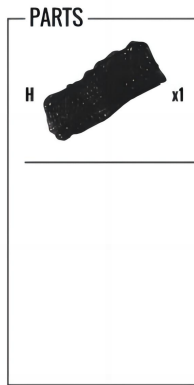
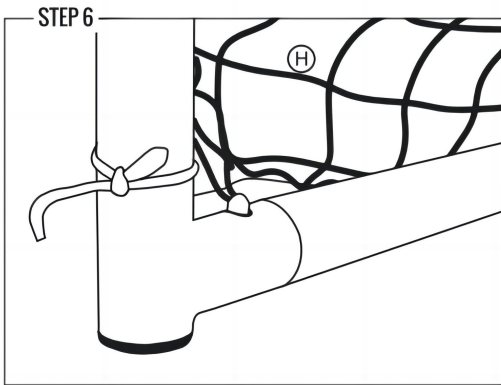
Assemble fiberglass poles, and insert the top of each pole into each top corner cap of the goal net.





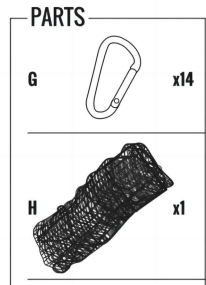
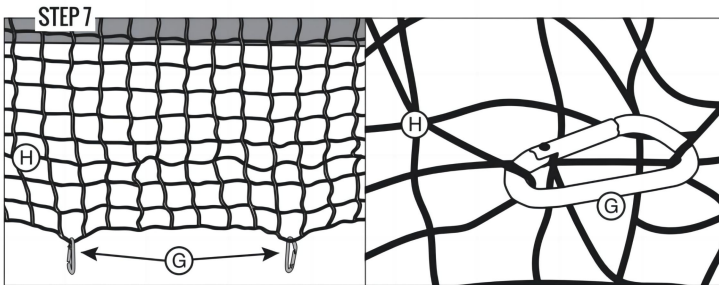
NOTE

Insert the bottom of each fiberglass pole into the backstop base.



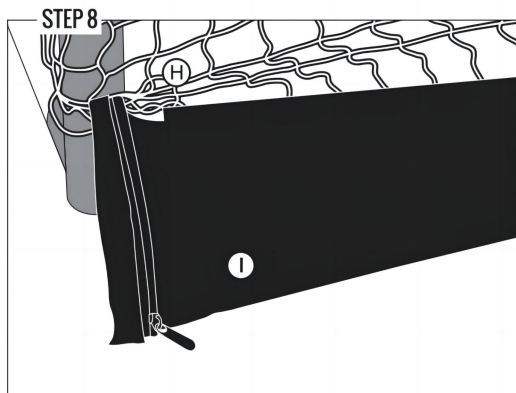
NOTE

Use the rope ties that are applied to the bottom inner corners of the netting to tie the backstop net to each goal post.



NOTE

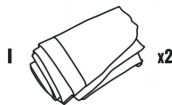
Drape the backstop netting in front of goal. Use steel clips to attach backstop netting to the inside of the goal netting.



NOTE

Fill sand bags (sand not included) and fasten to backstop netting using self-stick straps.

PARTS



CLEANING AND MAINTENANCE

► **Maak de standaard schoon met een natte handdoek. Het net kan verwijderd worden om te wassen en kan dan op natuurlijke wijze drogen.**

Adres: Baoshanqu Shuangchenglu 803long 11hao 1602A-1609shi
Shanghai

Geïmporteerd naar AUS: SIHAO PTY LTD, 1 ROKEVA
STREETEASTWOOD NSW 2122 Australië

Geïmporteerd naar de VS: Sanven Technology Ltd., Suite 250, 9166
Anaheim Place, Rancho Cucamonga, CA 91730



Pooledas Group Ltd
Unit 5 Albert Edward House, The Pavilions
Preston, United Kingdom



SHUNSHUN GmbH
Römeräcker 9 Z2021, 76351
Linkenheim-Hochstetten, Germany

VEVOR[®]
TOUGH TOOLS, HALF PRICE

Technisch Ondersteuning en E-garantiecertificaat
www.vevor.com/support

VEVOR[®]

TOUGH TOOLS, HALF PRICE

Teknisk Support och e-garanticertifikat www.vevor.com/support

LACROSSE MÅL

MODELL : YC-SS-LCN00 4

We continue to be committed to provide you tools with competitive price.

"Save Half", "Half Price" or any other similar expressions used by us only represents an estimate of savings you might benefit from buying certain tools with us compared to the major top brands and does not necessarily mean to cover all categories of tools offered by us. You are kindly reminded to verify carefully when you are placing an order with us if you are actually saving half in comparison with the top major brands.

VEVOR®

TOUGH TOOLS, HALF PRICE

LACROSSE GOAL

MODELL : YC-SS-LCN00 4



⚠ WARNING:
Proper protective equipment should be worn
whenever these lacrosse products are used.
Adult supervision is recommended.

NEED HELP? CONTACT US!

Have product questions? Need technical support? Please feel free to contact us:

Technical Support and E-Warranty Certificate
www.vevor.com/support

This is the original instruction, please read all manual instructions carefully before operating. VEVOR reserves a clear interpretation of our user manual. The appearance of the product shall be subject to the product you received. Please forgive us that we won't inform you again if there are any technology or software updates on our product.

Tack så mycket för att du valde detta Lacrosse mål . Läs alla instruktioner innan du använder den. Informationen hjälper dig att uppnå bästa möjliga resultat.

SAFETY ADVICE

SÄKER ARBETSPRAKSIS

- ▶ Inspektera alltid målstolpen och nätet för defekter före användning och byt ut skadade delar.
- ▶ Använd inte målet med defekta delar.
- ▶ Målet måste alltid vara säkrat i marken. Vikter för användning på hårda ytor, slipade ankare på gräs.
- ▶ Klättra aldrig på nätet eller målramen. Målet får aldrig användas utan att nätet är monterat. Följ alltid säkerhetsinstruktionerna.
- ▶ Ta bort alla vikter och ankare innan du flyttar eller demontering av målet. Använd inte målet i blåsig väder.
- ▶ Använd inte målet vid minusgrader. Vi rekommenderar att vuxen övervakas under montering och användning. Tappa inga tunga föremål på rören.
- ▶ Vid demontering av målet se till att alla beslag packas bort , och ingen är det kvar på spelytan.

VARNING:

Kontrollera regelbundet att pinnarna är säkra. Lösa pinnar kan orsaka skada . Försiktighet bör iakttas när du använder en klubba eftersom felaktig användning kan orsaka skada.

SPECIFICATIONS

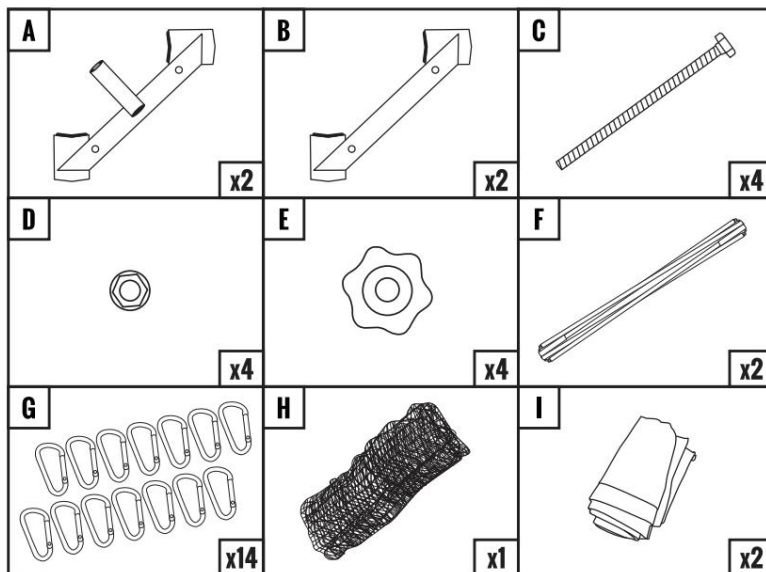
Modell	YC-SS-LCN004
Färg	Svart, Orange
Adaptiv målstorlek	12*9 fot

PART LIST

Note: Refer to part numbers and be sure all parts are included.

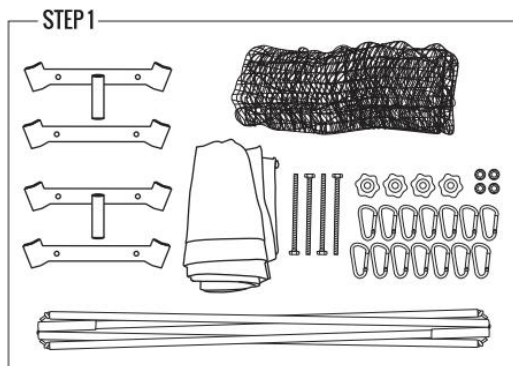
1) Förberedelse för montering

- Lägg ut alla delar inom bekvämt räckhåll
- Läs hela instruktionerna innan montering påbörjas .
- Montera målet på en slät, plan yta



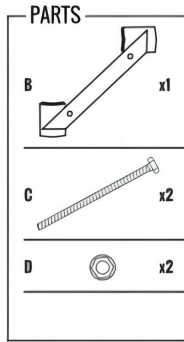
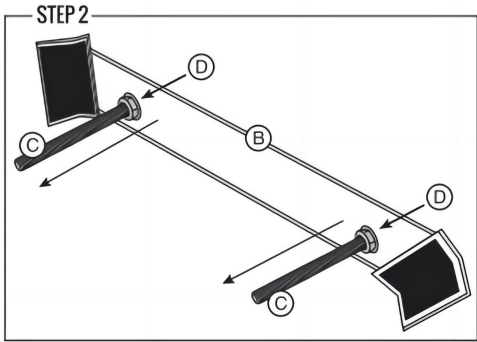
2) Målförsamling

- Montera alla delar av slangen enligt bilden
- Se till att alla delar är helt insatta tills låsknapparna snäpper på plats



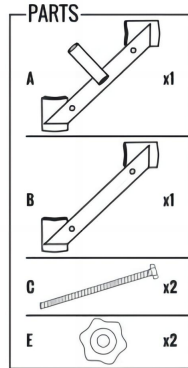
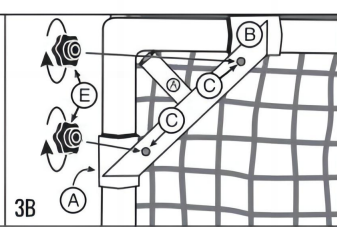
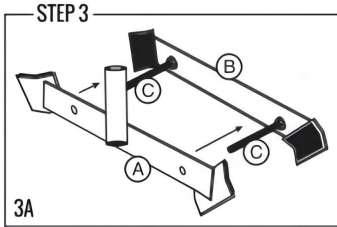
NOTE

Unwrap and lay out all parts.



NOTE

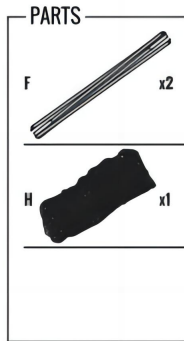
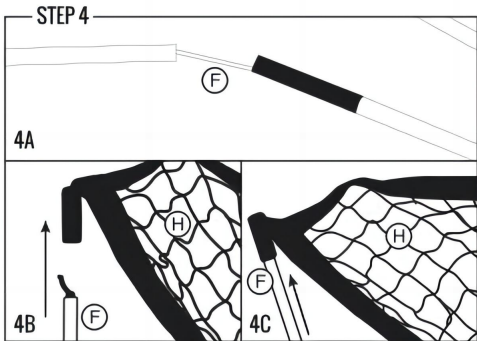
Insert Part C into Part B as shown, and fasten with Part D.



NOTE

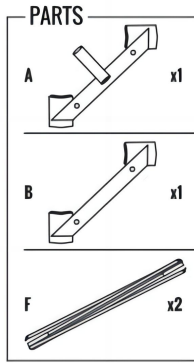
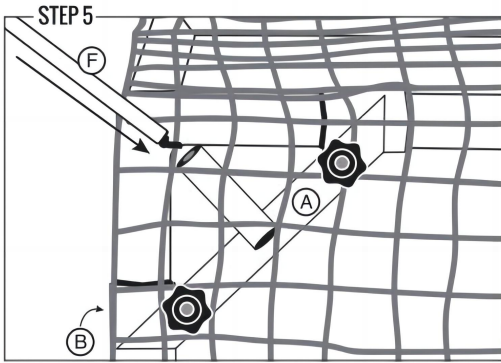
Complete the assembly of the backstop base with Part C as shown. Then fasten the base to one of the top corners of the goal using Part E. Make sure part A is facing the back of the net.

NOTE: Repeat steps 2 and 3 for the opposite top corner.



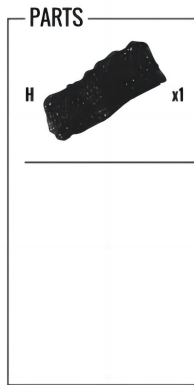
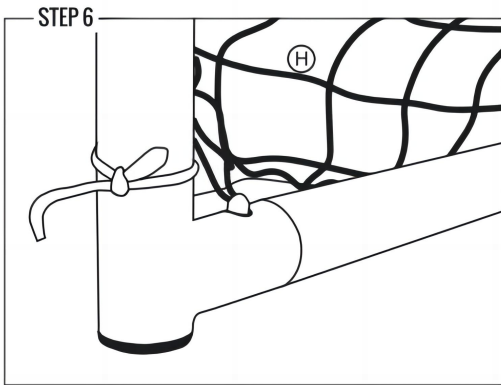
NOTE

Assemble fiberglass poles, and insert the top of each pole into each top corner cap of the goal net.



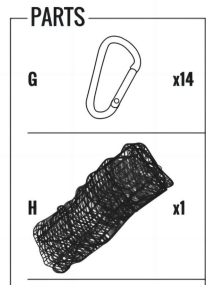
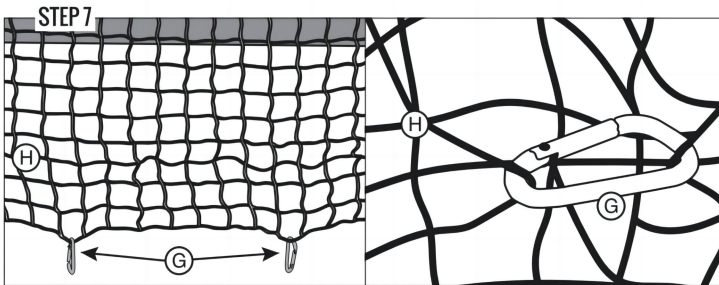
NOTE

Insert the bottom of each fiberglass pole into the backstop base.



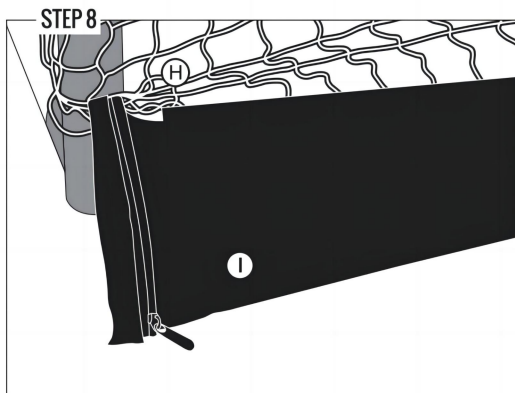
NOTE

Use the rope ties that are applied to the bottom inner corners of the netting to tie the backstop net to each goal post.



NOTE

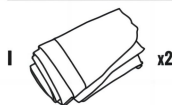
Drape the backstop netting in front of goal. Use steel clips to attach backstop netting to the inside of the goal netting.



NOTE

Fill sand bags (sand not included) and fasten to backstop netting using self-stick straps.

PARTS



CLEANING AND MAINTENANCE

- Rengör stativet med en våt handduk, nätet kan tas bort för tvätt och tillåtas torka naturligt.

Adress: Baoshanqu Shuangchenglu 803long 11hao 1602A-1609shi
Shanghai

Importerad till AUS: SIHAO PTY LTD, 1 ROKEVA STREETEASTWOOD
NSW 2122 Australien

Importerad till USA: Sanven Technology Ltd., Suite 250, 9166 Anaheim
Place, Rancho Cucamonga, CA 91730



Pooledas Group Ltd
Unit 5 Albert Edward House, The Pavilions
Preston, United Kingdom



SHUNSHUN GmbH
Römeräcker 9 Z2021, 76351
Linkenheim-Hochstetten, Germany

VEVOR[®]

TOUGH TOOLS, HALF PRICE

Teknisk Support och e-garanticertifikat

www.vevor.com/support

VEVOR[®]

TOUGH TOOLS, HALF PRICE

Técnico Soporte y certificado de garantía electrónica www.vevor.com/support

PORTERÍA DE LACROSSE

MODELO : YC-SS-LCN00 4

We continue to be committed to provide you tools with competitive price.

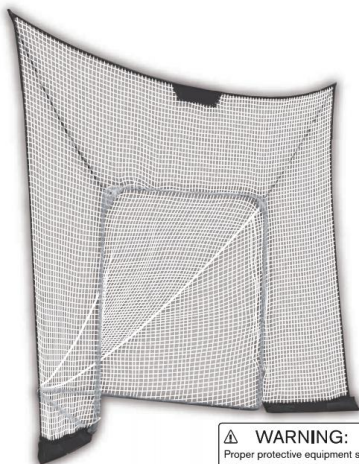
"Save Half", "Half Price" or any other similar expressions used by us only represents an estimate of savings you might benefit from buying certain tools with us compared to the major top brands and does not necessarily mean to cover all categories of tools offered by us. You are kindly reminded to verify carefully when you are placing an order with us if you are actually saving half in comparison with the top major brands.

VEVOR[®]

TOUGH TOOLS, HALF PRICE

LACROSSE GOAL

MODELO : YC-SS-LCN00 4



⚠ WARNING:
Proper protective equipment should be worn
whenever these lacrosse products are used.
Adult supervision is recommended.

NEED HELP? CONTACT US!

Have product questions? Need technical support? Please feel free to contact us:

Technical Support and E-Warranty Certificate
www.vevor.com/support

This is the original instruction, please read all manual instructions carefully before operating. VEVOR reserves a clear interpretation of our user manual. The appearance of the product shall be subject to the product you received. Please forgive us that we won't inform you again if there are any technology or software updates on our product.

Muchas gracias por elegir este Portería de lacrosse . Lea todas las instrucciones antes de utilizarla. La información le ayudará a lograr los mejores resultados posibles.

SAFETY ADVICE

PRÁCTICAS LABORALES SEGURAS

- ▶ Inspeccione siempre el poste de la portería y la red para detectar defectos antes de su uso y reemplace las piezas dañadas.
- ▶ No utilice el objetivo con piezas defectuosas.
- ▶ La portería debe estar siempre fijada al suelo. Se utilizarán pesos en superficies duras y anclajes al suelo en césped.
- ▶ No subirse nunca a la red ni al marco de la portería. La portería nunca debe utilizarse sin la red colocada. Respete siempre las instrucciones de seguridad.
- ▶ Retire todos los pesos y anclajes antes de mover o Desmontaje de la portería. No utilice la portería en condiciones climáticas ventosas.
- ▶ No utilice el objetivo en temperaturas bajo cero. Recomendamos la supervisión de un adulto durante el montaje y el uso. No deje caer objetos pesados sobre los tubos.
- ▶ Al desmontar la portería, asegúrese de que todos los accesorios estén guardados y que no quede ninguno . dejado en la superficie de juego.

ADVERTENCIA:

Compruebe periódicamente que las clavijas estén bien sujetas. Las clavijas sueltas pueden provocar lesiones . Se debe tener cuidado al utilizar un mazo, ya que el uso incorrecto puede provocar lesiones.

SPECIFICATIONS

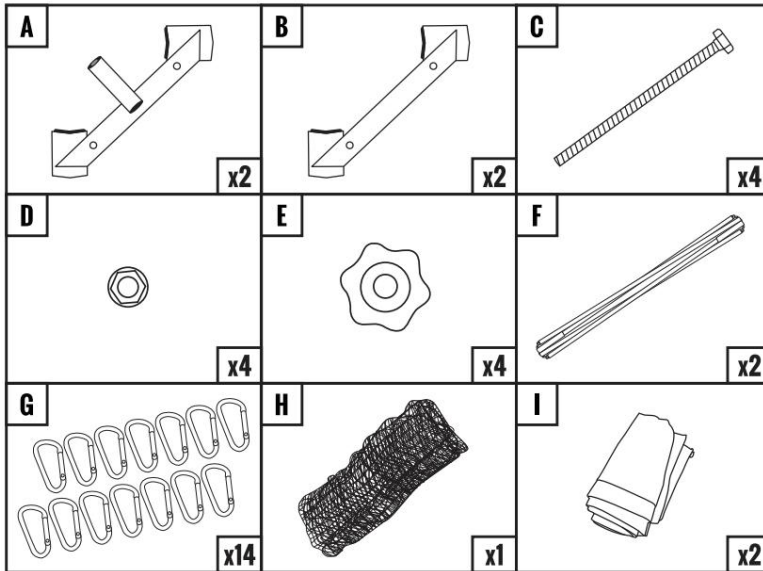
Modelo	YC-SS-LCN004
Color	Negro, naranja
Tamaño de objetivo adaptable	12*9 pies

PART LIST

Note: Refer to part numbers and be sure all parts are included.

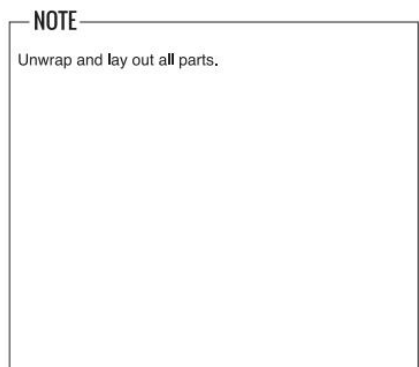
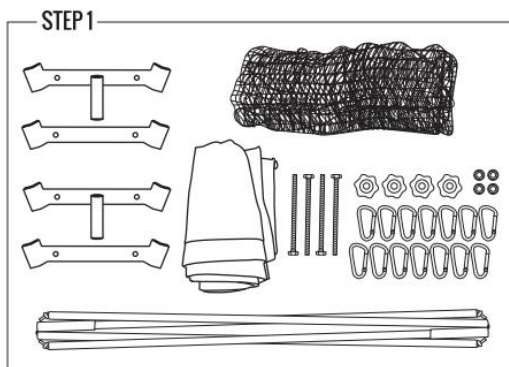
1) Preparación para el montaje

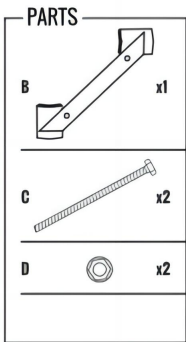
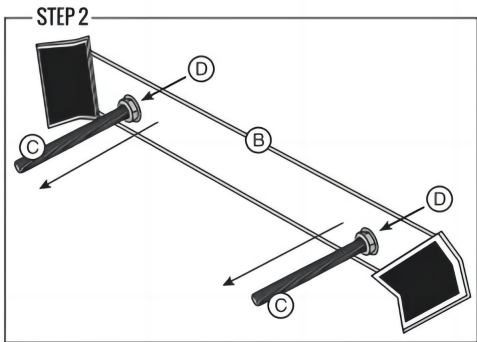
- Coloque todas las piezas al alcance de la mano.
- Lea las instrucciones completamente antes de comenzar el montaje .
- Montar la portería sobre una superficie lisa y plana.



2) Asamblea de objetivos

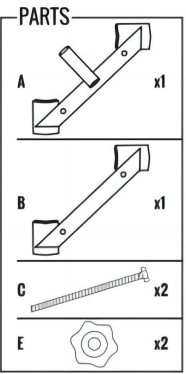
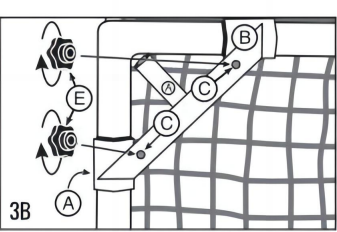
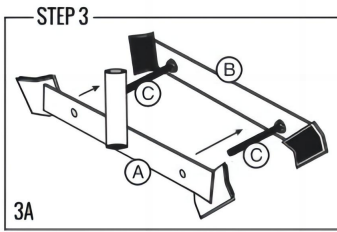
- Ensamble todas las piezas de tubería como se muestra
- Asegúrese de que todas las piezas estén completamente insertadas hasta que los botones de bloqueo encajen en su lugar.





NOTE

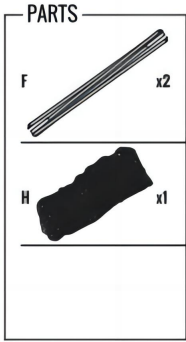
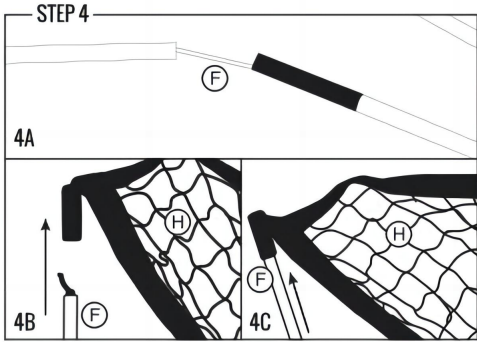
Insert Part C into Part B as shown, and fasten with Part D.



NOTE

Complete the assembly of the backstop base with Part C as shown. Then fasten the base to one of the top corners of the goal using Part E. Make sure part A is facing the back of the net.

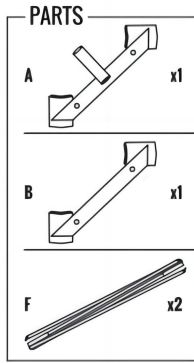
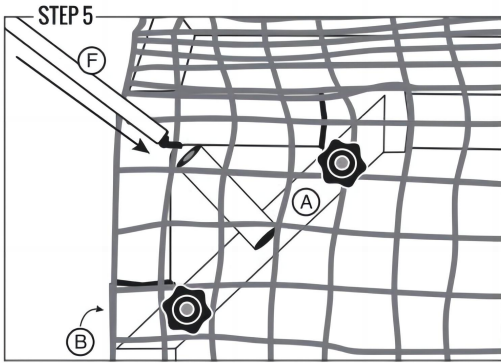
NOTE: Repeat steps 2 and 3 for the opposite top corner.



NOTE

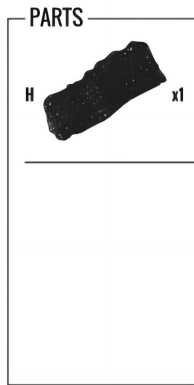
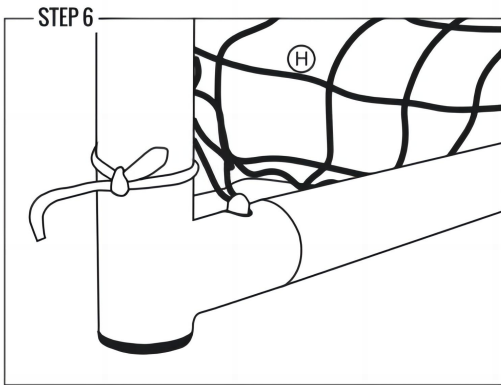
Assemble fiberglass poles, and insert the top of each pole into each top corner cap of the goal net.





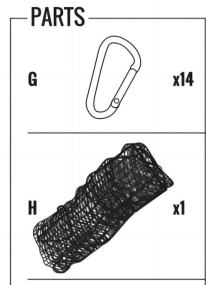
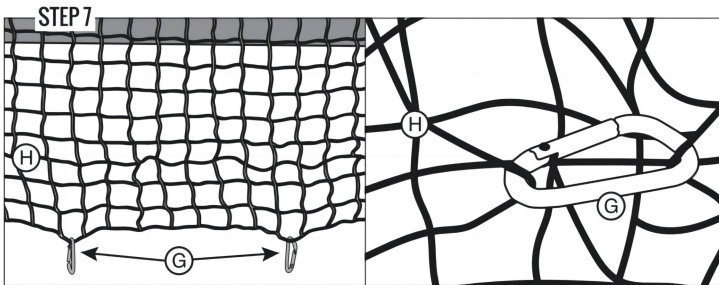
NOTE

Insert the bottom of each fiberglass pole into the backstop base.



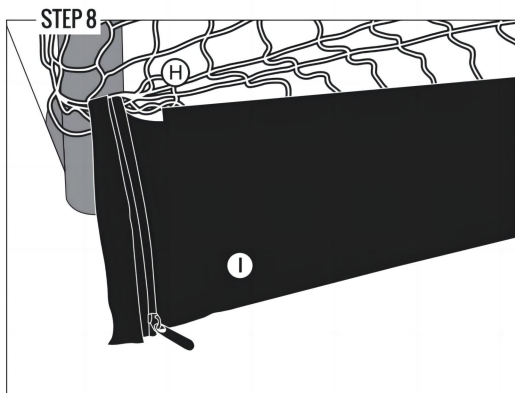
NOTE

Use the rope ties that are applied to the bottom inner corners of the netting to tie the backstop net to each goal post.



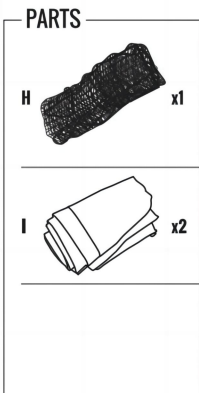
NOTE

Drape the backstop netting in front of goal. Use steel clips to attach backstop netting to the inside of the goal netting.



NOTE

Fill sand bags (sand not included) and fasten to backstop netting using self-stick straps.



CLEANING AND MAINTENANCE

► Limpie el soporte con una toalla húmeda, la red se puede quitar para lavarla y dejar secar naturalmente.

Dirección: Baoshanqu Shuangchenglu 803long 11hao 1602A-1609shi
Shanghai

Importado a AUS: SIHAO PTY LTD, 1 ROKEVA STREETEASTWOOD
NSW 2122 Australia

Importado a EE. UU.: Sanven Technology Ltd., Suite 250, 9166 Anaheim
Place, Rancho Cucamonga, CA 91730



Pooledas Group Ltd
Unit 5 Albert Edward House, The Pavilions
Preston, United Kingdom



SHUNSHUN GmbH
Römeräcker 9 Z2021, 76351
Linkenheim-Hochstetten, Germany

VEVOR[®]

TOUGH TOOLS, HALF PRICE

Técnico Certificado de soporte y garantía electrónica

www.vevor.com/support

VEVOR[®]

TOUGH TOOLS, HALF PRICE

Tecnico Supporto e certificato di garanzia elettronica www.vevor.com/support

OBIETTIVO DI LACROSSE

MODELLO : MODELLO YC-SS-LCN00 4

We continue to be committed to provide you tools with competitive price.

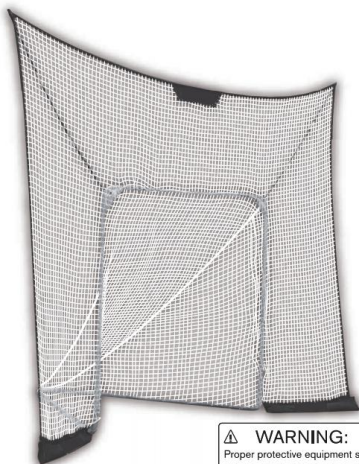
"Save Half", "Half Price" or any other similar expressions used by us only represents an estimate of savings you might benefit from buying certain tools with us compared to the major top brands and does not necessarily mean to cover all categories of tools offered by us. You are kindly reminded to verify carefully when you are placing an order with us if you are actually saving half in comparison with the top major brands.

VEVOR[®]

TOUGH TOOLS, HALF PRICE

LACROSSE GOAL

MODELLO : MODELLO YC-SS-LCN00 4



⚠ WARNING:
Proper protective equipment should be worn
whenever these lacrosse products are used.
Adult supervision is recommended.

NEED HELP? CONTACT US!

Have product questions? Need technical support? Please feel free to contact us:

Technical Support and E-Warranty Certificate
www.vevor.com/support

This is the original instruction, please read all manual instructions carefully before operating. VEVOR reserves a clear interpretation of our user manual. The appearance of the product shall be subject to the product you received. Please forgive us that we won't inform you again if there are any technology or software updates on our product.

Grazie mille per aver scelto questo Obiettivo Lacrosse . Si prega di leggere tutte le istruzioni prima di utilizzarlo. Le informazioni ti aiuteranno a ottenere i migliori risultati possibili.

SAFETY ADVICE

PRATICHE DI LAVORO SICURE

- ▶ Prima dell'uso, ispezionare sempre la porta e la rete per individuare eventuali difetti e sostituire le parti danneggiate.
- ▶ Non utilizzare la porta con parti difettose.
- ▶ La porta deve essere sempre fissata al terreno. Pesi da utilizzare su superfici dure, ancoraggi a terra su erba.
- ▶ Non salire mai sulla rete o sulla struttura della porta. La porta non deve mai essere utilizzata senza la rete montata. Rispettare sempre le istruzioni di sicurezza.
- ▶ Rimuovere tutti i pesi e gli ancoraggi prima di spostare o smontare la porta. Non utilizzare la porta in caso di vento.
- ▶ Non utilizzare la porta a temperature inferiori allo zero. Si consiglia la supervisione di un adulto durante il montaggio e l'uso. Non far cadere oggetti pesanti sui tubi.
- ▶ Quando si smonta l'obiettivo , assicurarsi che tutti gli accessori siano imballati e nessuno sia lasciati sulla superficie di gioco.

AVVERTIMENTO:

Controllare regolarmente che i pioli siano ben saldi. Pioli allentati possono causare lesioni . Prestare attenzione quando si usa un martello, poiché un uso improprio può causare lesioni.

SPECIFICATIONS

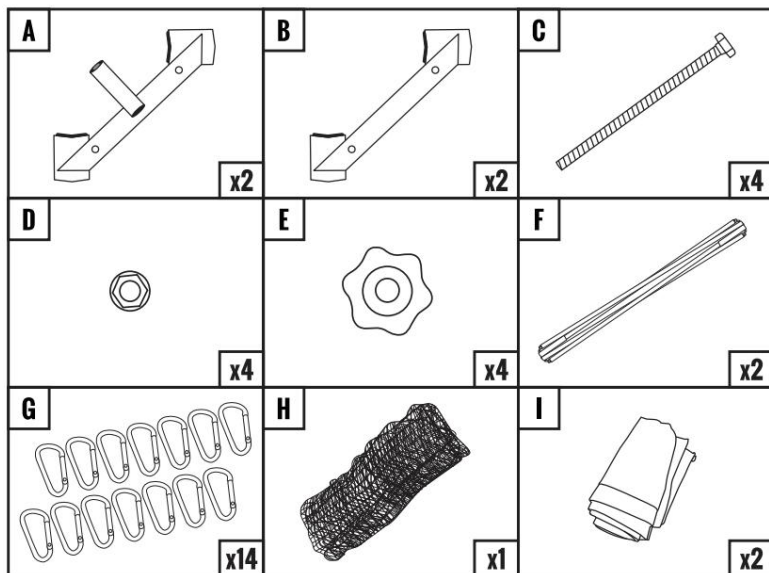
Modello	Codice articolo: YC-SS-LCN004
Colore	Nero, Arancione
Dimensione obiettivo adattiva	12*9 piedi

PART LIST

Note: Refer to part numbers and be sure all parts are included.

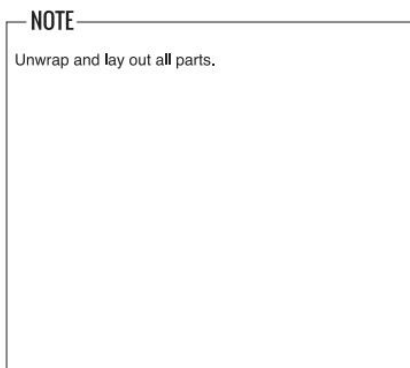
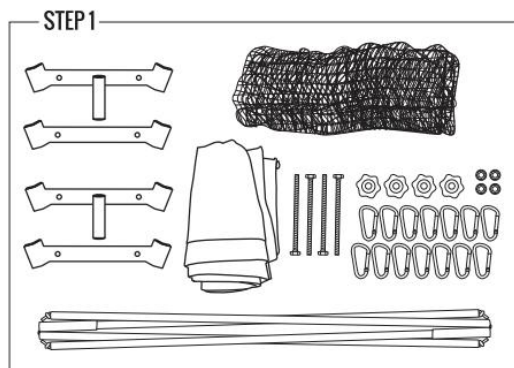
1) Preparazione per l'assemblaggio

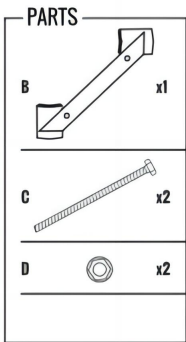
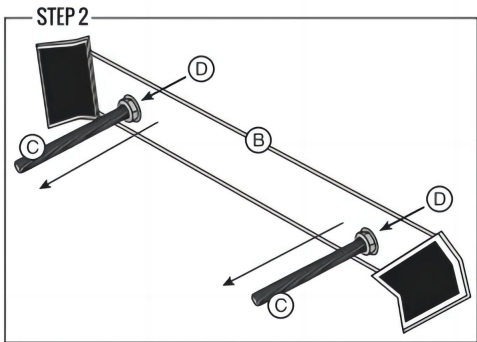
- Disporre tutte le parti in modo che siano facilmente accessibili
- Leggere attentamente le istruzioni prima di iniziare il montaggio .
- Montare l'obiettivo su una superficie liscia e piana



2) Assemblaggio dell'obiettivo

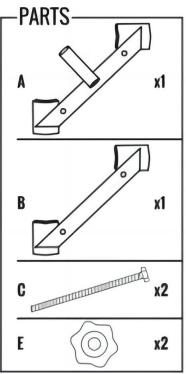
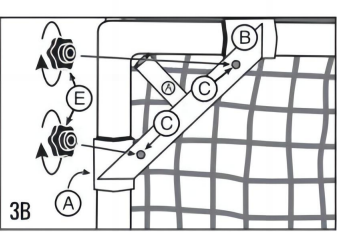
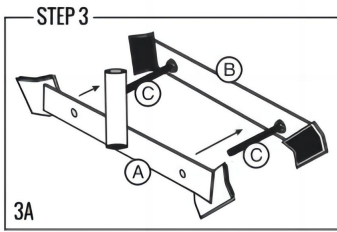
- Assemblare tutti i pezzi di tubo come mostrato
- Assicurarsi che tutti i pezzi siano completamente inseriti fino a quando i pulsanti di bloccaggio non scattano in posizione





NOTE

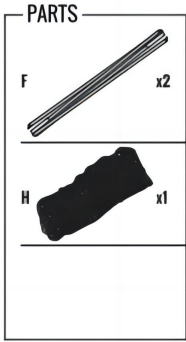
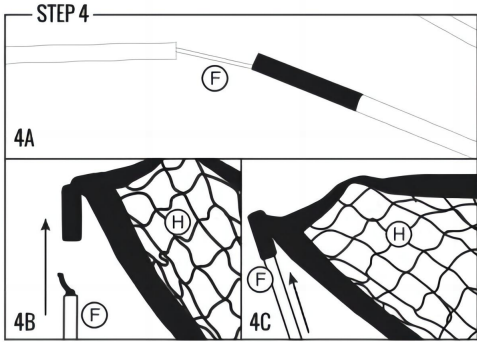
Insert Part C into Part B as shown, and fasten with Part D.



NOTE

Complete the assembly of the backstop base with Part C as shown. Then fasten the base to one of the top corners of the goal using Part E. Make sure part A is facing the back of the net.

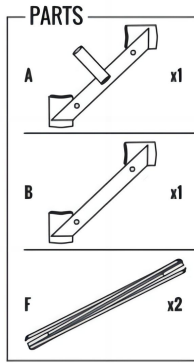
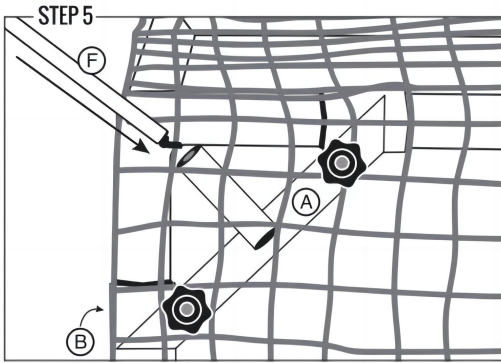
NOTE: Repeat steps 2 and 3 for the opposite top corner.



NOTE

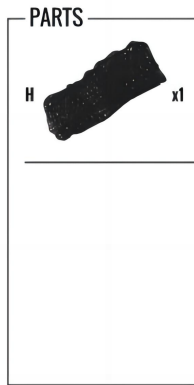
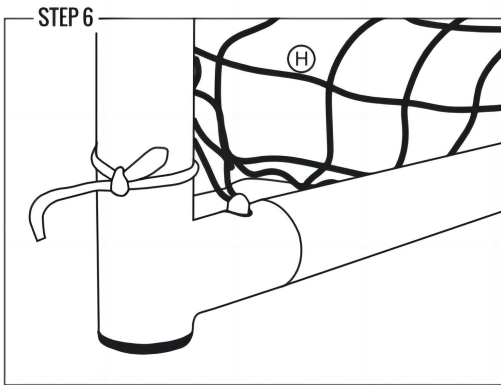
Assemble fiberglass poles, and insert the top of each pole into each top corner cap of the goal net.





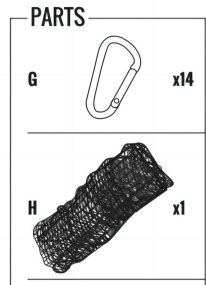
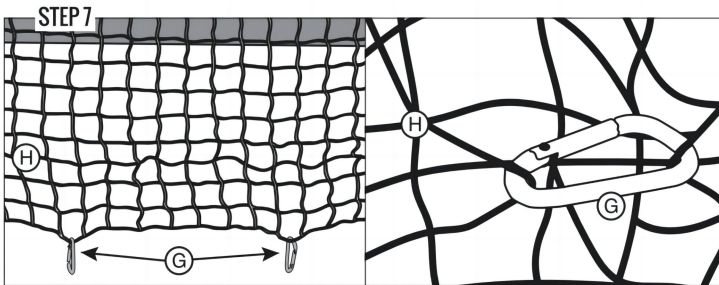
NOTE

Insert the bottom of each fiberglass pole into the backstop base.



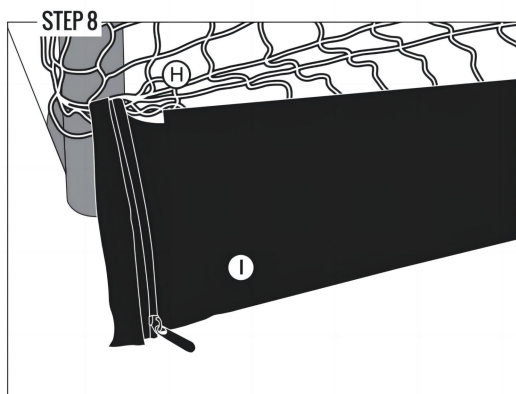
NOTE

Use the rope ties that are applied to the bottom inner corners of the netting to tie the backstop net to each goal post.



NOTE

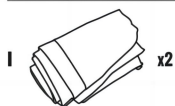
Drape the backstop netting in front of goal. Use steel clips to attach backstop netting to the inside of the goal netting.



NOTE

Fill sand bags (sand not included) and fasten to backstop netting using self-stick straps.

PARTS



CLEANING AND MAINTENANCE

► Pulire il supporto con un panno umido; la rete può essere rimossa per il lavaggio e lasciata asciugare naturalmente.

Indirizzo: Baoshanqu Shuangchenglu 803long 11hao 1602A-1609shi
Shanghai

Importato in AUS: SIHAO PTY LTD, 1 ROKEVA STREETEASTWOOD
NSW 2122 Australia

Importato negli USA: Sanven Technology Ltd., Suite 250, 9166 Anaheim
Place, Rancho Cucamonga, CA 91730



Pooledas Group Ltd
Unit 5 Albert Edward House, The Pavilions
Preston, United Kingdom



SHUNSHUN GmbH
Römeräcker 9 Z2021, 76351
Linkenheim-Hochstetten, Germany

VEVOR[®]

TOUGH TOOLS, HALF PRICE

Tecnico Supporto e certificato di garanzia elettronica

www.vevor.com/support