

BLANCO

*Because
Life's Meant To Be Easy*

Instructions for the Use and Care and Installation of

BRUC5G

BRUC7G

Under Cupboard Rengehood

Dear Customer,

Thank you for buying a **BLANCO rangehood**.

Before we continue telling you about this rangehood, we cordially invite you to become part of the Blanco family by subscribing online.

Please visit our website where you can easily subscribe and request such things as 'invitations to future cooking classes' and gourmet recipes.

Go to **www.blanco-australia.com** and fill in the subscription details.

You will find that the clean lines and modern look of your **Blanco** rangehood blends in perfectly with your kitchen décor. It is easy to use and performs to a high standard.

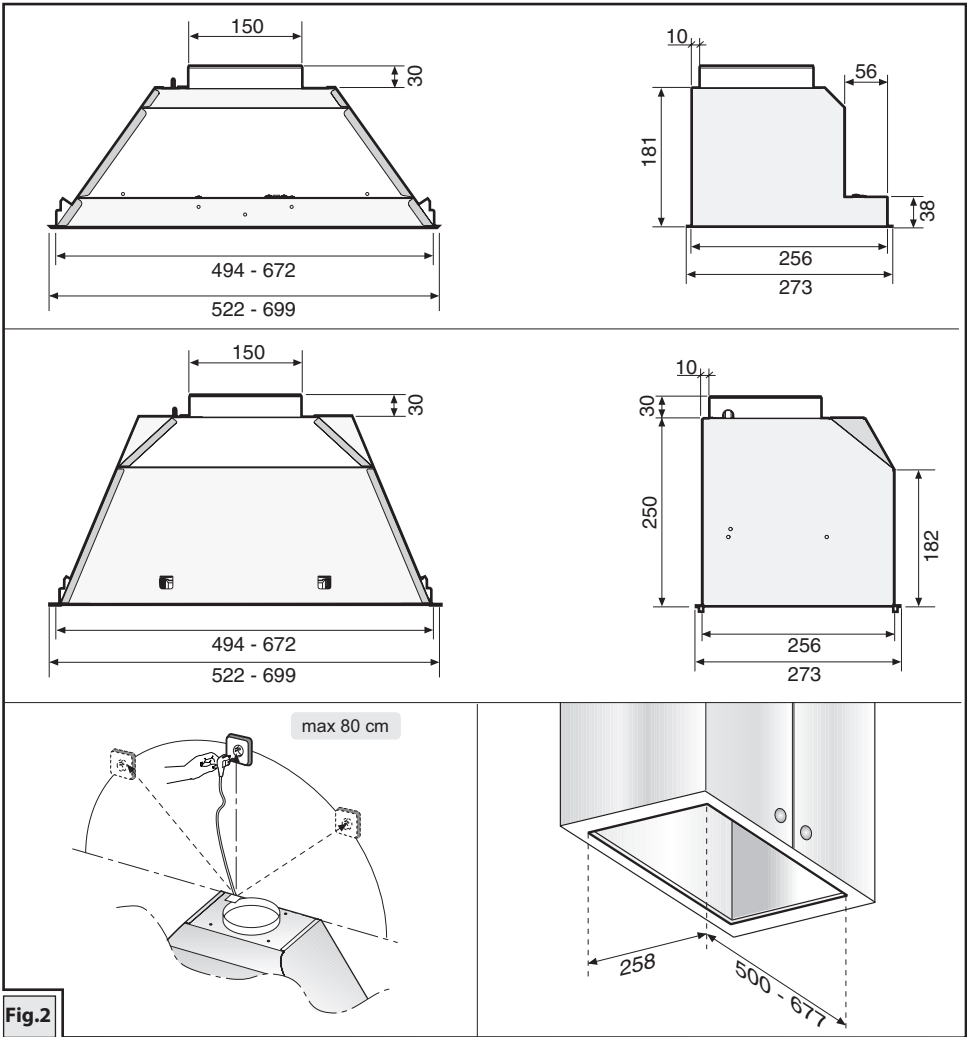
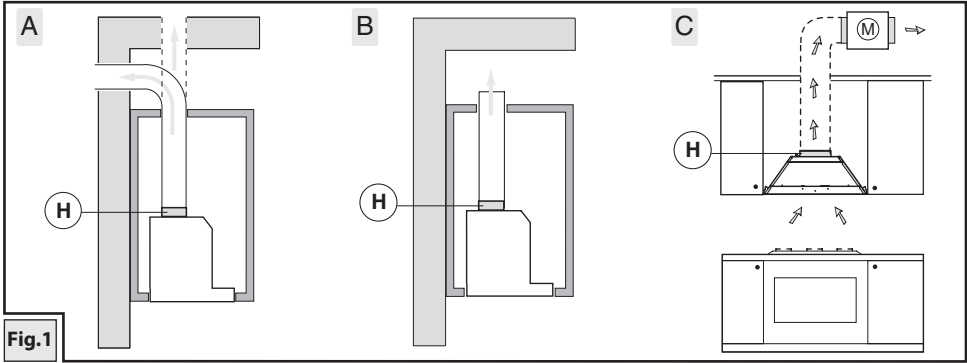
Blanco also makes a range of products that will enhance your kitchen such as cooktops, ovens, dishwashers and microwaves, sinks and taps. There are models to complement your new **Blanco** rangehood.

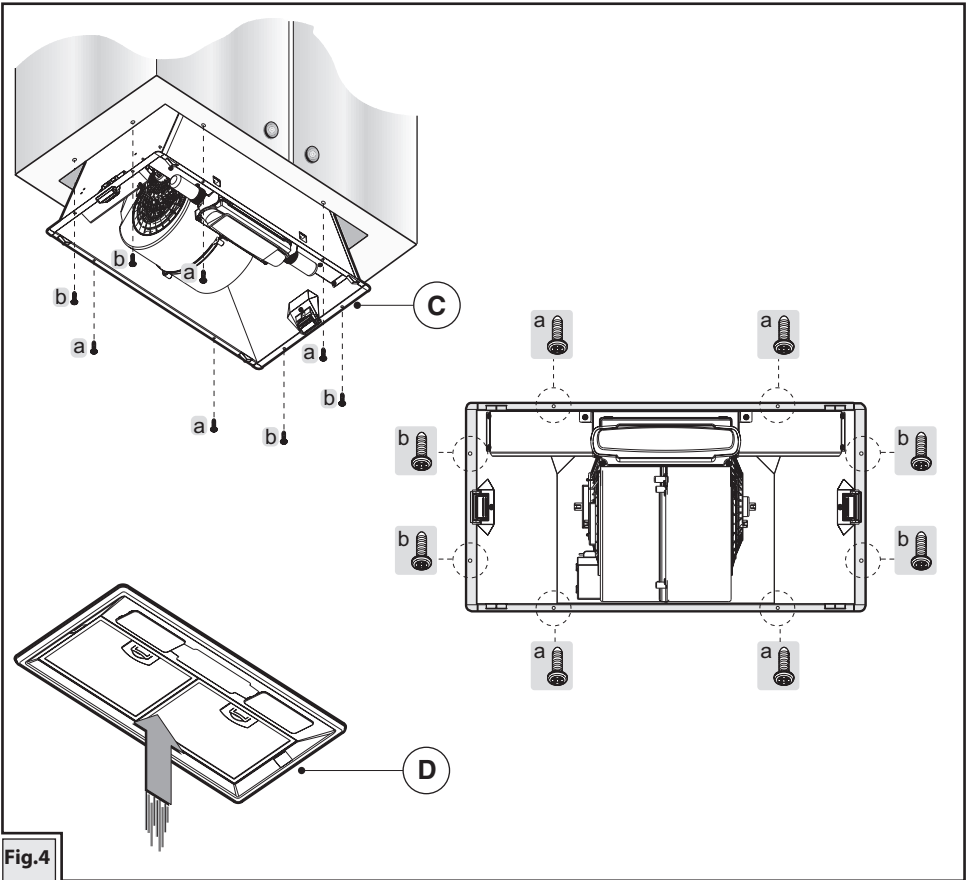
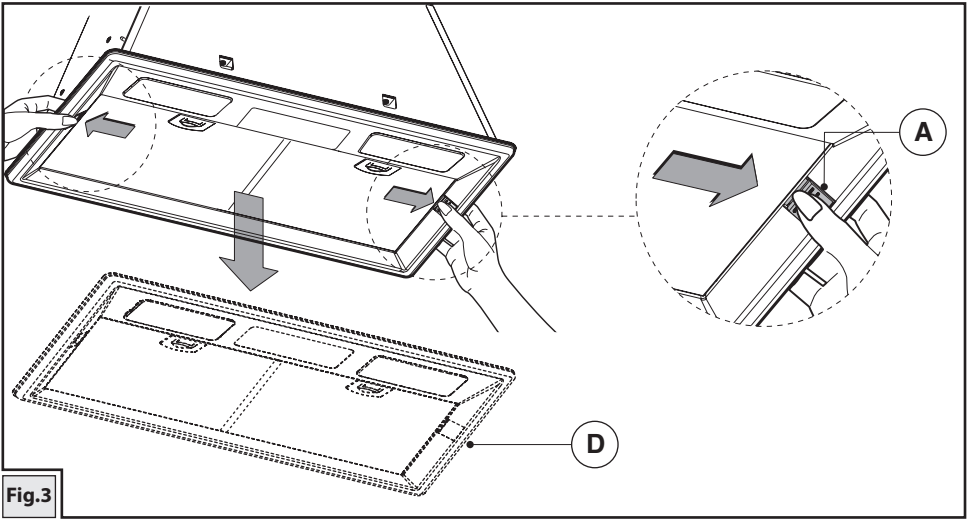
Of course, we make every effort to ensure that our products meet all your requirements, and our Customer Relations department is at your disposal, to answer all your questions and to listen to all your suggestions.

Please complete the warranty card and keep your receipt as proof of purchase. Retain all documents relating to the purchase of this product.

Blanco is committed to providing increasingly efficient products that are easy to use, and are not just beautiful, smart.

BLANCO





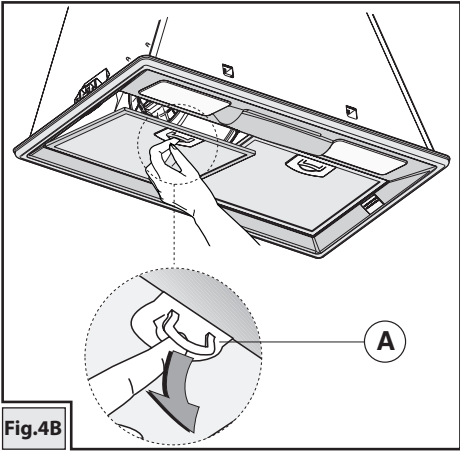


Fig.4B

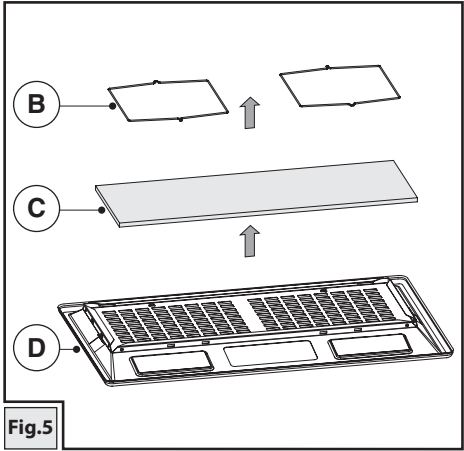


Fig.5

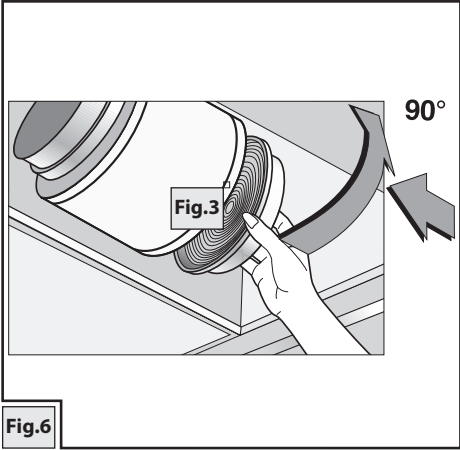


Fig.6

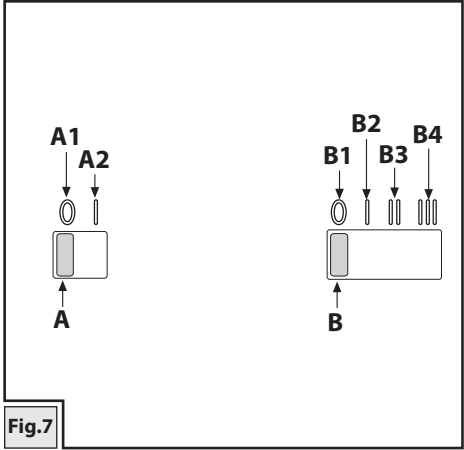
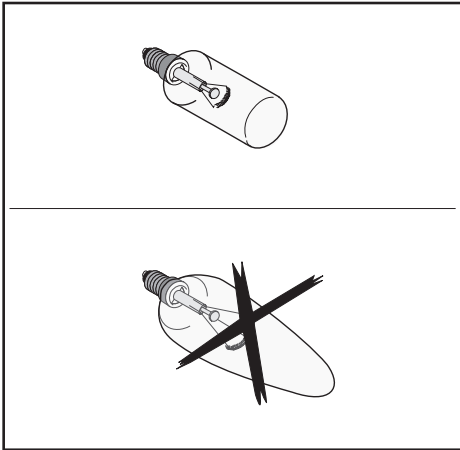


Fig.7



GENERAL

Carefully read the following important information regarding installation safety and maintenance. Keep this information booklet accessible for further consultations. The appliance has been designed for use in the ducting version (air exhaust to the outside – Fig.1B), filtering version (air circulation on the inside – Fig.1A) or with external motor (Fig.1C).


SAFETY PRECAUTION

1.The rangehood removes air from the environment which a gas cooktop or fireplace needs for combustion. Therefore it is important to take care when the rangehood is operating simultaneously with this equipment. The negative pressure in the environment must not exceed 4Pa (4x10⁻⁵ bar). Provide adequate ventilation in the environment for a safe operation of the rangehood. Follow the local laws applicable for external air evacuation.

General Warnings.


- **The appliance is not intended for use by persons (including children) with reduced physical, sensory or mental capabilities, or lack of experience and knowledge, unless they have been given supervised or instruction concerning use of the appliance by a responsible person for their safety.**
- **Young children should be supervised to ensure that they do not play with the appliance.**
- **If the supply cord is damaged, it must be replaced by the manufacturer or its service agent or a similarly qualified person in order to avoid a hazard.**
- **There shall be adequate ventilation of the room when the rangehood is used at the same time as appliances burning gas or other fuels.**
- **Ensure that the rangehood is cleaned frequently.**
- **There is a risk of fire if cleaning is not carried out in accordance with the instructions.**
- **Do not flambé under the rangehood.**

Warnings for Installation:

- The exhaust air must not be discharged into a flue which is used for exhausting fumes from appliances burning gas or other fuels.
- The minimum distance  from the highest part of the hob of the cooking appliance and the rangehood shall not be less than 600mm.
- The regulations concerning the discharge of exhaust air have to be fulfilled.
- In the case of assembly of the appliance in the suction version prepare the hole for evacuation of the air.
- We recommend the use of an air exhaust tube which has the same diameter as the air exhaust outlet hole. If a pipe with a smaller diameter is used, the efficiency of the product may be reduced and its operation may become noisier.

Other Information:

This appliance conforms to the European Directive EC/2002/96, Waste Electrical and Electronic Equipment (WEEE). By making sure that this appliance is disposed of in a suitable manner, the user is helping to prevent potential damage to the environment or to public health.

 The symbol on the product or on the packaging label on the carton indicates that the appliance should not be treated as domestic waste, but should be delivered to a suitable electric and electronic appliance recycling collection point. Follow local guidelines when disposing of waste. For more information on the treatment, re-use and recycling of this product, please contact your local authority or domestic waste collection service.

INSTALLATION INSTRUCTIONS

Assembly and electrical connections must be carried out by specialised personnel.

• Electric Connection

The appliance has been manufactured as a class II, therefore no earth cable is necessary.

The connection to the mains is carried out as follows:

BROWN = L line

BLUE = N neutral

If not provided, connect a plug for the electrical load indicated on the rating label. Where a plug is provided, the rangehood hood must be installed in order that the plug is easily accessible.

An omnipolar switch with a minimum opening of 3mm between contacts, in line with the electrical load and local standards, must be placed between the appliance and the network in the case of direct connection to the electrical network.

Warning: Failure to install the screws or fixing device in accordance with these instructions may result in electrical hazards (see technical data if supplied).

• **Installation**

The following instruction should be followed to carry out the correct installation of the rangehood .

- 1) Mounting of the rangehood on the lower side of the cupboard.
- 2) Choosing the version (extractor, fig. 1A, or filter, fig. 1B).

• **Fixing the hood to the lower part of the wall cabinet**

This type of appliance must be fitted inside a cabinet or inside another type of support structure. The overall measurements of the rangehood are given in figure 2. Before proceeding with rangehood installation, remove grille **D** by pressing the two side buttons **A**, as shown in figure 3. Fix the appliance in place using 8 screws (not supplied) which are suited to the type of cabinet. To install the rangehood correctly, first fit the 4 screws **A** and then the 4 screws **B**, in accordance with the diagram in figure 4.

After fixing the rangehood to the lower part of the cabinet, place grille **D** (fig. 4) back in the correct position. During this procedure, make sure that grille **D** is fastened properly.

• **Extraction through an outside wall**

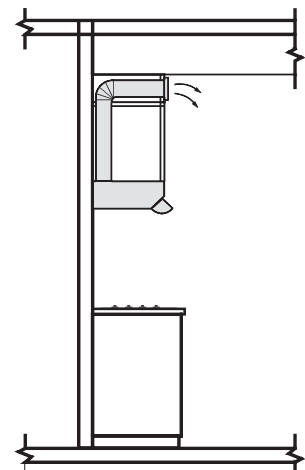
The appliance expels the fumes through an outside wall or a duct.

It is necessary to buy a telescopic pipe in accordance with the standards in use (inflammable) and connect it to flange **H** (Fig 1A).

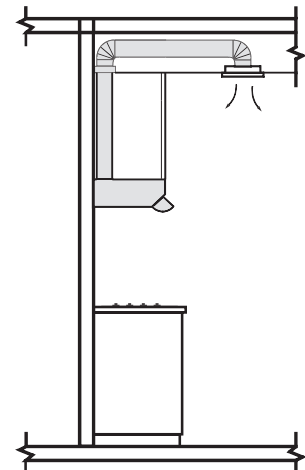
• **Recirculation**

To transform an ducted rangehood version into a recirculating version, contact your appliance dealer and ask for charcoal filters. The filters should be fitted to the extraction assembly inside the rangehood, by centring them and rotating them 90 degrees, until they click into place (fig. 6).

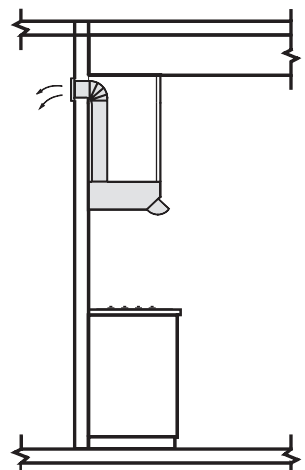
To perform this operation, first remove grill **D** (fig. 3). The air is released back into the room through air exhaust piping which passes through the cabinet and is connected to flange **H** (fig. 1B).



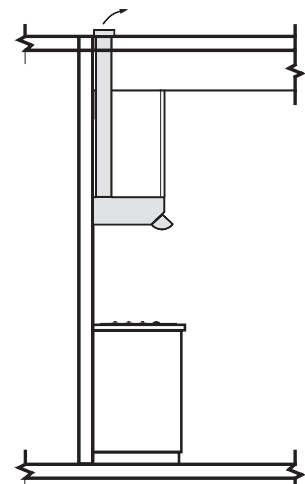
Recirculated to kitchen area via bulkhead



Recirculated to kitchen area via ceiling cavity



Ducted to atmosphere through wall



Ducted to atmosphere through roof

Rangehood Installation

Exercise care when a rangehood is installed in an area where a gas burner is operating. Depending on the size of the room, the rangehood may draw from the room air that is necessary for proper combustion of the burner. All Blanco rangehoods are used for indoor application only.

Rangehoods may be installed in two ways:

1. Ducted to the atmosphere (outside).
2. Recirculating.

We recommend ducting to the atmosphere to ensure optimum performance. Recirculating the air back into the room should only be used when outside extraction is not possible. To ensure maximum performance when ducting it is important the ducting that carries the fumes away, be as short and as straight as possible.

When incorporating a rangehood in the design of a kitchen the following points need to be considered to achieve the most benefit from the rangehood.

1. Ducting from a rangehood carrying the exhaust air, should not exceed a length of three (3) metres.

2. For ducted installation we recommend using galvanised or similar metal type flue pipe. PVC pipe is not recommended.
3. Ducting containing a 90° degree bend will encounter a loss in efficiency of approximately 35%. Additional 90° degree bends can cause losses of up to 15% per bend.
4. Ducting size should always comply with the manufacturers specification.
5. We recommend carbon filters be used when re-circulating the air into the room. There will be some loss of air movement when carbon filters are fitted.

USE AND MAINTENANCE

- It is recommended to operate the appliance prior to cooking.

It is recommended to leave the appliance in operation for 15 minutes after cooking is terminated in order to help eliminate rangehood vapors and odors.

The proper function of the rangehood is conditioned by the regularity of the maintenance operations, in particular, the active carbon filter.

- The anti-grease filters capture the grease particles suspended in the air, and are therefore subject to clogging according to the frequency of the use of the appliance.

In order to prevent fire hazard, it is recommendable to clean the filter at a maximum of 2 months by carrying out the following instructions:

- Remove the filters from the rangehood and wash them in a solution of water and neutral liquid detergent, leaving to soak.

- Rinse thoroughly with warm water and leave to dry.

- The filters may also be washed in the dishwasher.

The aluminum panels may alter in colour after several washes. This is not cause for customer complaint nor replacement of panels.

- The active carbon filters help to purify the air that is replaced in the environment. The filters are not washable nor reusable and must be replaced at maximum every four months. The saturation of the active carbon filter depends on the frequency of use of the appliance, by the type of cooking and the regularity of cleaning the anti-grease filters.

• Clean the fan and other surfaces of the rangehood regularly using a cloth moistened with denatured alcohol or non abrasive liquid detergent.

• The light function is designed for use during cooking and not for prolonged general illumination of the environment. Prolonged use will notably reduce the duration of the bulb.

• Replacing the aluminium panels

To replace the aluminium panels, simply pull handle **A** as shown in fig. 4B.

• Replacing the acrylic or metal panels

To replace the acrylic or metal panels, first remove grille **D** by pressing the two side buttons **A**, as shown in figure 3. Remove the two filter clips **B** (fig. 5) and the acrylic or metal panel **C**. To reassemble the part, simply perform the procedure in reverse.

- **Controls (fig.8)** Symbols are explained below:

A = Light switch

A1 = Off key

A2 = On key

B = Speed control

B1 = Off key

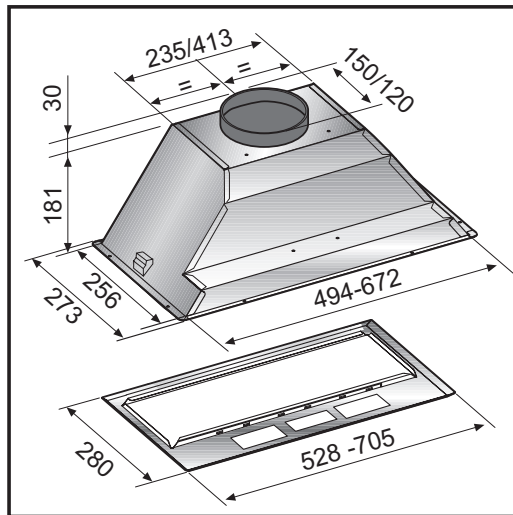
B2 = FIRST SPEED key

B3 = SECOND SPEED key

B4 = THIRD SPEED key

THE MANUFACTURER DECLINES ALL RESPONSIBILITY FOR EVENTUAL DAMAGES CAUSED BY BREACHING THE ABOVE WARNINGS.

BRUC5G - BRUC7G



We appreciate your feedback.
Please review our products on
www.blanco-australia.com



Printed on recycled paper

3LIK1396