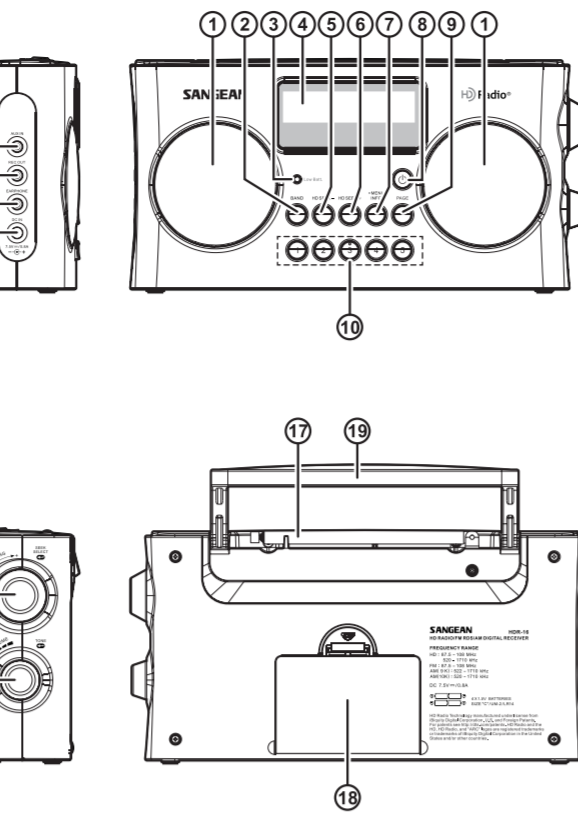
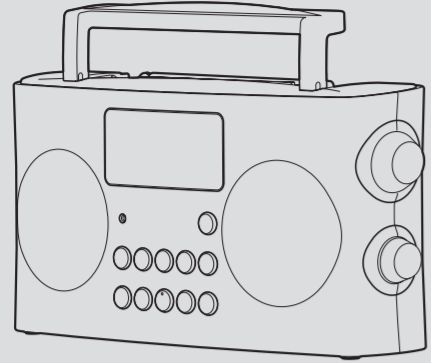


SANGEAN

HDR-16



03

be displayed. The Emergency alert feature is disabled and the alarms can't be activated. If using the AC power adaptor to power the radio, these features can be implemented when the radio is on or in standby mode.

IMPORTANT:

Batteries should not be exposed to excessive heat such as direct sunlight, fire or the like. After use, disposable batteries should be taken to a suitable recycling center. On no account should batteries be disposed of by incineration. Do not leave batteries within reach of young children; they can be a choking hazard.

Using the AC power adaptor

- 1. The AC power adaptor required for this unit should be 7.5volts DC at 0.8A center pin positive. Insert the adaptor plug into the DC socket on the left hand side of the radio. Plug the adaptor into a standard AC outlet. Whenever the adaptor is used, the batteries are automatically disconnected. The AC adaptor should be disconnected from the AC outlet when not in use.
2. Fully extend the telescopic antenna located on the top of your radio.
3. Press and release the Power button to switch on your radio. It may be necessary to relocate your radio to a position giving better reception. To switch off your radio, press and release the Power button.

IMPORTANT:

The AC adaptor is used as the means of connecting the radio to the power supply. The AC Adaptor used for the radio must remain accessible during normal use in order to disconnect the radio from the power supply completely, the AC Adaptor should be removed from the power supply outlet completely.

Auto clock set mode

- 1. Press the Power button to switch on your radio.
2. Press the Band button to select FM radio mode.
3. Press and hold the Menu button to enter the menu setting and then rotate the Tuning control knob until "RBDS Auto CT" is shown on the display. Press the Tuning control knob to enter the setting.
4. Rotate the Tuning control knob to select "Auto" and press the Tuning control knob to confirm the setting. Your radio will synchronize its clock time whenever it tunes to a radio station using RDS / RBDS with CT signals. The symbol "CT" will appear on the display indicating the radio time is RDS / RBDS clock time.
5. If you wish to cancel the "RBDS Auto CT" function, press and hold the Menu button and then rotate the Tuning control knob until "RBDS Auto CT" is shown on the display. Press the Tuning control knob and rotate the Tuning control knob to select "Manual". Press the Tuning control knob to confirm the setting. Please refer to the later section "Setting the clock manually" to set the clock time and date.

NOTE:

- 1. If the clock time was not auto adjusted within 24 hours, the symbol "CT" will disappear on the display.
2. If clock time from local RDS / RBDS station is not correct, you should consider disabling the "RBDS Auto CT" function.
3. Please note that at times the RDS / RBDS signal may broadcast the wrong time, this is the fault of the radio station and not your radio.

07

Your Radio must be in a location that allows for adequate reception of audio and data services and tuned to a station that provides the Emergency Alerts.

When enabled, the Emergency Alerts feature allows audio and text-based alerts to be played or displayed by the radio, the alerts can also awaken the radio from standby mode when using the AC adaptor.

Emergency alerts setting

- 1. Press and hold the Menu button to enter the menu setting and then rotate the Tuning control knob until "Alert" is shown on the display. Press the Tuning control knob to enter the setting.
2. Rotate the Tuning control knob to select "On" or "Off". To disable the Emergency Alerts feature, Select "Off" and then press the Tuning control knob to confirm the setting. With "On" selected, press the Tuning control knob to enter the Emergency Alerts Location setting.
3. Rotate the Tuning control knob to select your required location setting.
If you choose "Off": all the alerts that are broadcast within the radio's range will be received. The default setting is "Off". Press the Tuning control knob to confirm the setting.
If you choose "On": you can define the location, then the receiver will display text alerts (or awaken the radio from standby mode) only when the received data included location-matching alerts. If location data is not included in the received data, then the receiver disregards the locations that are defined in the receiver. Press the Tuning control knob to confirm the setting.
4. The location preset "1" (for example) will flash on the top right corner of the screen. Now choose your required location preset you would like to setup. Rotate the Tuning control knob to select your required location preset and press the Tuning control knob to confirm your selection. Up to 10 locations can be saved.
5. There are three options for Alert Location: State / County, Zip and Off. Rotate the Tuning control knob to select your desired Alert Location option and then press the Tuning control knob to enter the setting.
If State / County was selected:
1. Rotate the Tuning control knob to change the State and press the Tuning control knob to confirm the setting.
2. Rotate the Tuning control knob to change the County and press the Tuning control knob to confirm the setting.
If Zip was selected:
The first digit of your US Zip code will flash on the display. Rotate the Tuning control knob to select the desired digit and press the Tuning control knob to cause the next digit to flash on the display. Continue to change all the digits in your Zip code. Press the Tuning control knob to confirm the setting.

If Off was selected:

The current Location preset will be disabled. Press the Tuning control knob to confirm the setting.

- 6. After completing your EA setting, it is necessary to tune to an HD Radio station (AM or FM)

11

"Weekdays" - the alarm will sound on weekdays only

"Weekends" - the alarm will sound only at weekends

"Once" - the alarm will sound once

Rotate the Tuning control knob to select your required frequency and press the Tuning control knob to confirm your setting.

- 5. Rotate the Tuning control knob to choose the desired source for the alarm (Buzzer, FM or AM). Press the Tuning control knob to confirm the setting. If setting alarm to Buzzer proceed to step 7.
6. When selecting the alarm for FM or AM, rotate the Tuning control knob to choose the preset page (1-4) and press the desired preset button (1-5). Press the Tuning control knob to allow the frequency to flash on the display. If this frequency is your desired wakeup station, press the Tuning control knob to confirm your selection. If you wish to change the frequency or the selected preset is empty, rotate the Tuning control knob to choose your required station and press the Tuning control knob to confirm the selection.
7. Rotate the Tuning control knob to choose your desired volume and press the Tuning control knob to confirm the setting. Your radio will show "Alarm 1 Saved" (or "Alarm 2 Saved") and exit the alarm setting screen. The symbol "A" will show on the top right corner of the screen.
8. To view the status of the alarm setting, press and hold the Menu button and rotate the Tuning control knob until "Alarm 1" (or "Alarm 2") is shown on the display. You can view the status of the alarm setting on the display.

When the alarm sounds

To cancel a sounding alarm, press the Standby button to cancel a sounding alarm.

When the buzzer alarm activates, the alarm will start softly and gradually increase in level. It will sound for 1 minute and silence for 1 minute in repetition for 60 minutes unless cancelled.

When the radio alarm is activated, the alarm will go off in Humane Waking System. It will increase its volume from 0 to your set volume.

The symbol "A1" or "A2" will show on the display when the Alarm 1 or Alarm 2 is activated.

Disabling / canceling alarm setting

To cancel the alarm setting before the alarm sounds, press and hold the Menu button to enter the menu setting and then rotate the Tuning control knob until "Alarm 1" (or "Alarm 2") is shown on the display. Press the Tuning control knob and rotate the Tuning control knob to select "Off" and press the Tuning control knob to confirm the setting.

Snooze

The buzzer or radio alarm can be silenced for 5 minutes by pressing any button other than the Power button. In order to cancel the Snooze timer while the alarm is suspended, press the Power button.

Sleep timer

Your radio can be set to turn off after a preset time has elapsed. The sleep timer setting can be used between 15 and 150 minutes.

04

Setting the clock manually

When choosing manual setting as the clock time setting of your radio, the "RBDS Auto CT" function will be disabled.

- 1. Press and hold the Menu button to enter the menu setting and then rotate the Tuning control knob until "Clock" is shown on the display.
2. Press the Tuning control knob to enter the time setting. The hour digit will flash on the display.
3. Rotate the Tuning control knob to set the desired hour. Then press the Tuning control knob to confirm the setting. The minute digit will flash on the display.
4. Rotate the Tuning control knob to set the desired minute and press the Tuning control knob to confirm the setting. Now the month digit will flash on the display.
5. Follow the steps above to set the month / day / year. When the time and date setting is completed, the display will show "Clock Saved".

Setting the time format

- 1. Press and hold the Menu button to enter the menu setting and then rotate the Tuning control knob until "12 / 24 hour" is shown on the display.
2. Press the Tuning control knob and rotate the Tuning control knob to select 12 or 24 hour format. Press the Tuning control knob to confirm the setting. The selected format is used in standby mode, in playing mode and when setting the alarms.

Operating the radio

This radio is equipped with three tuning methods - Scan tuning, Manual tuning, Memory presets recall.

Scan tuning FM / AM

- 1. Make sure the telescopic antenna is set up in advance.
2. Press the Power button to switch on your radio.
3. Press the Band button repeatedly to select the desired frequency band.
4. To scan up in frequency, first rotate the Tuning control knob in a clockwise direction and then press the Tuning control knob. Your radio will scan in an upwards direction (low frequency to high frequency) and stop automatically when it finds a station of sufficient strength. To scan down in frequency, first rotate the Tuning control knob in an anti-clockwise direction and then press the Tuning control knob. Your radio will scan in a downwards direction and stop automatically when it finds a station of sufficient strength.
5. After a few seconds the display will update. The display will show the frequency of the signal found. If the signal is strong enough and there is RDS / RBDS data present then the radio will display the station name.

Manual tuning - FM / AM

- 1. Press the Power button to switch on your radio.
2. Press the Band button repeatedly to select the desired frequency band.
3. Rotate the Tuning control knob to tune to a station. The frequency will change in steps of 50kHz / 100kHz / 200kHz in FM or 9kHz / 10kHz in AM.

08

which supports Emergency alerts (it is indicated with a symbol "a" on the top of the screen), in order to receive an alert. If you want to receive the EA in the Standby mode, make sure the radio is in an environment that it can receive HD Radio broadcast signals properly. Please note that EA can only be received when the radio is in AM / FM and in the Standby mode.

Emergency Alerts History

Once the radio detects an alert, it will sound an alert tone, display the alert category (e.g. Weather, Hazmat, etc.), and scroll the alert text.

- 1. To view the Emergency Alerts History, press and hold the Menu button to enter the menu setting and then rotate the Tuning control knob until "EA History" is shown on the display.
2. Press the Tuning control knob and rotate the Tuning control knob to scroll through the History, which contains the five most recent Emergency alerts.
3. Press the Tuning control knob to view your required EA history.



Snoozing and ignoring an EA

Once the alert is triggered, the EA will remain on the display until the user snoozes or ignores the alert by pressing any button. The EA will be shown in the "Emergency Alerts History" after snoozing / ignoring is activated.

Snooze an EA: Press and release any button other than the Power button will snooze the EA for 10 minutes. Before the "snooze" time has expired, no alert functionality will be triggered. However, if a new alert message is received, "snooze" will be cancelled immediately.

Ignore an EA: Press and release the Power button will ignore the EA for 12 hours. Before the "ignore" time has expired, no alert functionality will be triggered. However, if a new alert message is received, "ignore" will be cancelled immediately.

Indicators for Emergency Alerts

Table with 2 columns: Emergency Alerts indicator and Emergency Alerts feature is disabled. Rows include Exclamation mark (!), Symbol (a), Symbol (i), Symbol (s), Symbol (t).

Display options

a. RDS (Radio Data System) status

Your radio has a range of display options when in FM mode.

12

- 1. Press the Power button to switch on your radio. Press and hold the Menu button to enter the menu setting and then rotate the Tuning control knob until "Sleep time" is shown on the display. Press the Tuning control knob to enter the setting.
2. Rotate the Tuning control knob to select the desired sleep time. The options are Off, 15, 30, 45, 60, 90, 120, 150. Press the Tuning control knob to confirm the setting. Use the Off option to cancel the sleep function. Your radio will switch into standby mode after the preset time has elapsed. An active sleep timer is shown using a symbol "S" on the playing display.
3. To cancel the sleep time before the preset time has elapsed and to turn off the radio, press the Power button to turn the unit off manually. To cancel the sleep timer and leave the radio playing, go back to the sleep time settings (step 1 to 2) and select the Off option in step 2.
4. To view the remaining time of an active sleep timer setting, press and hold the Menu button and rotate the Tuning control knob until "Sleep time" is shown on the display. You can view the remaining time of an active sleep timer on the display.

Tone controls- treble and bass

You can set up a custom treble and bass setting to your liking.

- 1. Make sure your radio is turned on. Press the Volume control knob to enter the Treble adjustment mode.
2. Rotate the Volume control knob until the desired level (between -6 and +6) is displayed. The sound will change as you adjust the level. Press the Volume control knob to confirm the setting. You will enter the Bass adjustment mode.
3. Rotate the Tuning control knob until the desired level (between -6 and +6) is displayed. Press the Volume control knob to confirm the Bass setting.

Language

Your radio can be configured to a different language.

- 1. Press and hold the Menu button to enter the menu setting and then rotate the Tuning control knob until "Language" is shown on the display. Press the Tuning control knob to enter the setting.
2. Rotate the Tuning control knob to select your required language.
3. Press the Tuning control knob to confirm your selection. The display will change to the chosen language.

Auxiliary input socket

A 3.5mm Auxiliary input socket is provided on the left hand side of your radio to permit an audio signal to be fed into the unit from an external audio device such as an iPod, MP3 or CD player.

- 1. Press the Power button to switch on your radio.
2. Connect a stereo or mono audio source (for example, iPod, MP3 or CD player) to the Auxiliary input socket (marked "AUX IN").
3. Press the Band button to select AUX IN mode and the display will show "AUX IN".
4. Adjust the Volume control on your iPod, MP3 or CD player to ensure an adequate signal and then adjust the volume on the radio for comfortable listening.

01



Operating Instruction

HD Radio® HD Radio Technology manufactured under license from Biquity Digital Corporation, U.S. and Foreign Patents. For patents see http://dts.com/patents. HD Radio and the HD, HD Radio, and "ARC" logos are registered trademarks or trademarks of Biquity Digital Corporation in the United States and / or other countries.

For United States:

FC Cautions to the user

The changes or modifications not expressly approved by the party responsible for compliance could void the users authority to operate the equipment.

The equipment has been tested and found to comply with the limits for a Class B Digital Device, pursuant to part 15 of the FCC Rules. These limits are designed to provide reasonable protection against harmful interference in a residential installation. This equipment generates, uses and can radiate radio frequency energy and, if not installed and used in accordance with the instruction, may cause harmful interference to radio communication. However, there is no guaranty that interference will not occur in a particular installation. If this equipment does cause harmful interference to radio or television reception, which can be determined by turning the equipment off and on, the user is encouraged to try to correct the interference by one or more of the following measures:

- Reorient or relocate the receiving antenna.
- Increase the separation between the equipment and receiver.
- Connect the equipment into a circuit different from that to which the receiver is connected.
- Consult the dealer or an experienced radio / TV technician for help.

CAUTION: These servicing instructions are for use by qualified service personnel only. To reduce the risk of the electric shock, do not perform any servicing other than that contained in the operating instructions unless you are qualified to do so.

VERY IMPORTANT PLEASE READ

Sangean suggest that you keep your AC Adapter at least 12 inches away from the radio while listening to the AM Band. Your Sangean Radio is powered by an AC adaptor which is a "switching" or "switch-mode" type. The DOE (Department Of Energy) has a Federal mandate, requiring all manufacturers to use this type of power supply. This newer power saving technology has the unfortunate side effect of causing interference to the AM radio band. Therefore, we recommend that customers keep at least a 1 foot distance between the AC adaptor and the radio. This interference will not affect the FM Band. If you have any questions please contact customer service at (888)726-4326, (662)941-9900 or service@sangean.com

If an AC adaptor isn't included in this model and if you wish to purchase an AC Adapter separately, please refer to the specifications for the AC Adapter stated on the final page of the manual, or please contact Sangean for the correct AC Adapter and specifications.

To learn more about the DOE mandate please visit

http://www1.eere.energy.gov/buildings/appliance_standards/product.aspx/productid/23

Please note not all AC adapters are alike. The AC adapter that is included with this radio is designed to be used exclusively with this device. Do not use an AC adapter that differs from the specifications on the AC adapter that is included.

If an AC adapter is NOT included with your radio and in order not to damage the unit and void your warranty, specifications for the AC Adapter are stated on the final page of the manual, or please contact

05

- 4. When the frequency band end is reached the radio will recommence tuning from the opposite frequency band end.
5. Adjust the Volume control to the desired volume settings.
6. To switch off your radio press the Power button.

NOTE:

If your radio has any interference in the AM band because of its adaptor, please move your radio away from its AC adaptor at least 12".

Presetting stations

There are 20 presets (4pages x 5presets) each for FM and AM radio. They are used the same way for each operating mode.

- 1. Press the Power button to switch on your radio.
2. Tune to the required radio station as previously described.
3. To store the station as a preset, press the Page button to select the required preset page 1 to 4 and then press and hold the required preset button (1-5) until you hear a beep and the display will show the page and the memory pre-set you selected. e.g. "21".
4. Stations which are already stored in the presets may be overwritten by following the above procedure.

Recalling a preset station

- 1. Press the Power button to switch on your radio.
2. Select the required operating mode using the Band button.
3. Press the Page button to select the required preset page and momentarily press the required Preset button, your radio will tune to the station stored in the selected preset memory. The chosen preset number is shown in the upper right hand side of the radio display, e.g. "21".

NOTE:

The display will show "Preset xX Empty" if no station has been stored to that preset.

Stereo / Mono switching

If the FM radio station being listened to has a weak signal, some hiss may be audible. It is possible to reduce this hiss by forcing the radio to play the station in mono rather than stereo.

- 1. Press the Power button to switch on your radio.
2. Press the Band button as needed to select the FM radio mode and tune to the required FM station as previously described.
3. Press and hold the Menu button to enter the menu setting and then rotate the Tuning control knob until "Force Mono" is shown on the display. Press the Tuning control knob to enter the setting.
4. Rotate the Tuning control knob to select the "Mono" or "Stereo". Press the Tuning control knob to confirm the setting.

NOTE:

The stereo symbol "ST" in the upper area of the radio display shows that the radio is receiving a stereo broadcast.

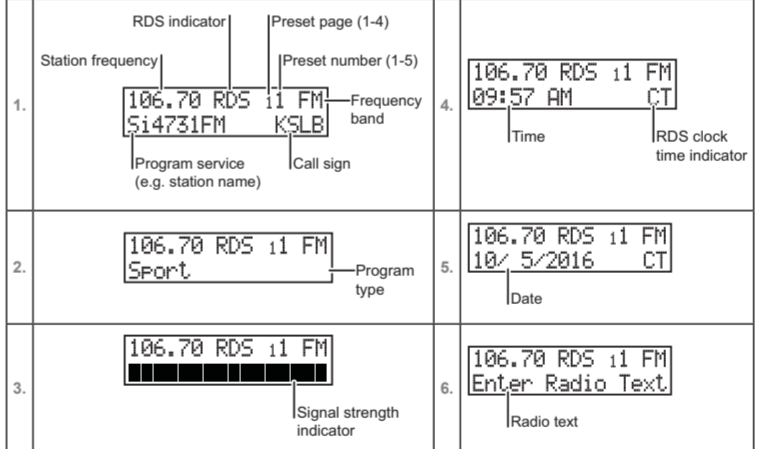
09

Press and release the Info button to cycle through the various options.

NOTE:

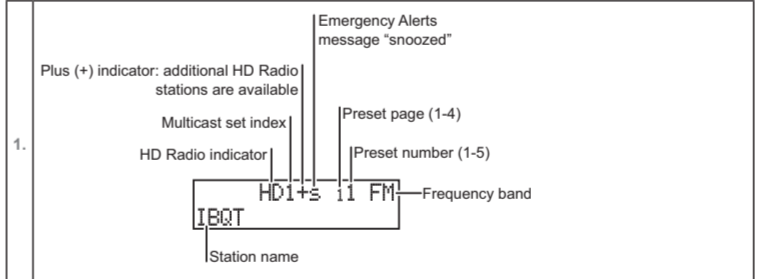
The radio only provides displays when there is information available. So if there is no text, for example, that display is not available.

If no RDS information is available, the radio will be unable to display the program service (e.g. station name), scrolling text and program type information.



b. HD Radio™ status

Press and release the Info button to cycle through the various options.



13

Headphone socket

A 3.5mm Headphone socket located on the left hand side of your radio is provided for use with headphones. Inserting headphones automatically mutes the internal loudspeaker.

Please be aware that the sensitivity of headphones can vary widely. We therefore recommend setting the volume to a low level before connecting headphones to the radio.

IMPORTANT:

- 1. Excessive sound pressure from earphones and headphones can cause hearing loss.
2. To prevent possible hearing damage, do not listen at high volume levels for long periods.

Rec-out socket

On the left hand side of your radio a Rec-out socket is provided for use with a tape recording / mini disc or to allow connection to line input of a Hi-Fi system. The signal on the Record out socket is unaffected by the volume control.

Software version

The software version display cannot be altered and is just for your reference.

Press and hold the Menu button to enter the menu setting and then rotate the Tuning control knob until "Version" is shown on the display and you can view the software version on the display.

Reset the radio

If your radio fails to operate correctly or some digits on the display are missing or incomplete, please carry out the following procedure.

Press and hold the Menu button to enter the menu setting and rotate the Tuning control knob until "Factory Default" is shown on the display. Press the Tuning control knob to confirm the setting. The radio will erase all saved settings and all settings will revert to the factory default settings. In case of malfunction due to electrostatic discharge, reset the product (reconnection of the power source may be required) to resume normal operation.

Specifications

Table with 2 columns: Power requirements, Batteries, Frequency Coverage, Region A (Most countries), Region B (US, Mexico, Canada), Region C (SE Asia), Region D (Brazil, Japan), Region E (Philippines, Romania), Region F (US, Mexico, Canada), Region G (Brazil), Region H (Brazil), Region I (Philippines, Romania).

02

Sangean for the correct AC Adapter and specifications. For customers in the US and Canada, please call 862-941-9900 or 888-726-4326. For all other areas, please contact us via contact@sangean.com Do not use an AC adapter that does not meet the correct specifications.

Cautions

Do not allow this radio to be exposed to water, steam or sand. Do not leave your radio where excessive heat could cause damage such as in a parked car where the heat from the sun can build up even though the outside temperature may not seem too high.

- Your radio should not be exposed to dripping or splashing water and that no objects filled with liquids, such as vases, shall be placed on the radio.
• It is recommended to operate the product such that there is a minimum distance (4" recommended) to adjacent objects in order to ensure good ventilation.
• The ventilation of the product should not be restricted by covering it or its ventilation openings with items such as newspapers, tablecloths, curtains etc.
• No open flame sources such as lighted candles should be placed on the product.
• It is recommended to avoid using or storing the product at extreme temperatures. Avoid leaving the unit in cars, on window sills or in direct sunlight etc.

Controls

- 1 Speaker
2 Band button
3 Low battery indicator
4 LCD display
5 HD Seek down button
6 HD Seek up button
7 Menu / Info button
8 Power button
9 Page button
10 Preset 1-5
11 AUX IN socket
12 REC out socket
13 Earphone socket
14 DC IN socket
15 Tuning control knob / Select / Seek button
16 Volume control / Tone control
17 Telescopic antenna
18 Battery compartment
19 Handle

Battery operation

- 1. Open the battery cover on the rear of the unit by pushing the latch downward.
2. Insert 4 x UM-2 / LR14 (C size) batteries into the battery compartment. Ensure the batteries are inserted with correct polarity as shown on the rear cabinet. Close the battery cover.
3. Reduced power, distortion and a stuttering sound or the low battery LED indicator is red are all signs that the batteries need replacing. If the radio is not to be used for an extended period of time, it is recommended that the batteries be removed from the radio.

NOTE:

When using batteries only and the radio is switched off, the menu can't be set and the clock time can't

06

Tuning region

Your radio can be configured for any one of the four international tuning regions.

- 1. Press the Power button to switch on your radio.
2. Press the Band button to select your required frequency band.
3. Press and hold the Menu button to enter the menu setting and then rotate the Tuning control knob until "Tuning Region" is shown on the display. Press the Tuning control knob to enter the setting.
4. Rotate the Tuning control knob to select your required tuning region and then press the Tuning control knob to confirm your selection.

Table with 2 columns: Region A (Most countries), Region B (US, Mexico, Canada), Region C (Most countries), Region D (Brazil, Japan), Region A (Philippines, Romania), Region B (US, Mexico, Canada), Region C (SE Asia), Region D (Brazil).

NOTE:

Resetting the tuning region will erase your preset stations stored in the radio. The memory presets will revert to the factory default settings.

Receiving HD Radio™ stations

When the radio is tuned to an HD Radio station, the HD Radio logo will flash in the display, indicating that the signal is blending from analog to digital. Once the receiver acquires the HD Radio signal, the HD Radio logo will remain solid on the screen.

Receiving Multicast Stations

When the radio is tuned to an HD Radio station, it will determine that one or more Multicast stations are available and "HD1+", for example, may appear on the display. "HD1" indicates the number of the current multicast program and plus (+) means that additional HD Radio programs are available. Rotate the Tuning control knob on the radio to tune to HD2 / HD3 Multicast channel.

HD SEEK function

Using the HD Seek Up / Down button, the radio will seek to the next available HD Radio station. This function will also scan to the Multicast program if available.

Press and release the HD Seek Up / Down button will tune to the next available HD Radio station of sufficient signal strength.

Emergency alert (EA)

Emergency Alerts (EA) is a warning system used by broadcasters to notify listeners about potential hazardous situations related to extreme weather, floods, infrastructure failures, amber alerts (child abductions), and more.

