

SENCOR®

Let's live!



MOBILE PHONE

Element P031V

USER'S MANUAL

EN



Contents

1.	Basic information	2
1.1.	Brief description of functions.....	2
2.	Safety instructions	3
3.	Prior to use	7
3.1.	Marking and description of the parts of the device.....	7
3.2.	Inserting SIM and memory cards.....	9
3.3.	Telephone on/off.....	11
3.4.	Charging the battery.....	11
3.5.	Security password.....	11
4.	Quick calling guide	13
4.1.	Making a call	13
4.2.	Ignoring a call.....	13
4.3.	Receiving a call.....	13
4.4.	Ending a call.....	13
4.5.	Emergency calls	13
4.6.	Speed dial of extension	13
5.	Available functions in the phone menu	14
5.1.	Call history	14
5.2.	Contacts	14
5.3.	Volume.....	14
5.4.	Camera.....	14
5.5.	Messages.....	15
5.6.	Multimedia	15
5.7.	Internet.....	16
5.8.	Profiles.....	17
5.9.	List of files	17
5.10.	Tools.....	17
5.11.	Settings	18
6.	Entering text.....	20
7.	Care and maintenance	21
8.	Technical specifications	22

1. Basic information

1.1. Brief description of functions

Thank you for purchasing the Element mobile phone with colour display. This manual provides information on the functions, features and operation of the phone.

The mobile telephone is designed for use in GSM/GPRS networks; the telephone can operate two SIM cards in standby mode although if one SIM card is engaged in a call, you cannot call using the second card. In addition to basic call functions, the phone also offers a number of useful features, such as directory, modes of operation, news, audio and video player, camera and video camera, alarm clock, calculator and other functions that are practical for work and leisure activities.

The mobile phone meets the GSM / GPRS criteria and is certified by the competent authority.

The company reserves the right to change the contents of the manual without prior notice.

2. Safety instructions

**WARNING:**

Pay attention to the following instructions. The manufacturer does not assume any responsibility towards a user that does not follow these recommendations or uses the smartphone in an unsuitable manner. By using the device unsuitably, the user risks violating the relevant acts.

Read this user's manual carefully before use. Keep the manual for future reference.

- Always follow the basic safety instructions when using this device to prevent the risk of fire, electric shock or injury.
- Please read this manual and follow all instructions for use, maintenance and installation. Do not use the mobile phone for purposes other than those for which it is intended.
- Failure to observe the rules specified in the user manual or inappropriate use will result in the invalidation of the warranty and may result in injury or damage to property. The manufacturer is not liable for any damages in such cases.
- Use of a mobile phone is prohibited in some areas. If you find yourself in an area where the use of mobile phones is prohibited, follow the instructions contained in this manual to switch the phone off. Usual areas where the use of mobile phones is prohibited include: Planes, petrol stations with flammable fuels, demolition sites, etc. Operating smartphones can interfere with electronic and medical devices, such as pacemakers, hearing aids and other medical electronic equipment.
- Switch off the phone whenever near fuel, chemical substances and explosives. Keep the device away from children.
- Follow the law on the use of mobile phones while driving. The driver is primarily responsible for the given vehicle. Use the hands-free function of your smartphone, if available. If driving in poor conditions, stop the vehicle before making or taking a call.
- If your phone supports "Aeroplane mode", enable "Aeroplane mode" prior to boarding a plane. If your phone does not support this mode, switch the device off prior to boarding a plane, as your device can interfere with plane instruments. Please follow the instructions issued on the plane.
- Always use genuine accessories. Using a non-genuine battery or charger can result in invalidation of the warranty, cause damage to the phone and injury to the user.
- Modifying or changing the features of the phone or tampering with the device is strictly prohibited. Modifying the device can result in serious failure and damage to property and potentially injure the user. Unless approved by the manufacturer, updating the operating software is also classed as a modification.
- Do not connect the battery charger to your smartphone before the battery is installed. Do not short circuit the battery.

- Charge the smartphone battery in well-ventilated and cooled areas and away from flammable and explosive materials.
- To prevent demagnetization, keep your smartphone away from magnetic materials, such as hard drives, credit cards etc.
- Mobile phones are sensitive to external interference, which can seriously affect functionality; in some environments, mobile phones cannot be used at all.
- Neither the mobile phone or charger are toys, small parts can be swallowed by children. The charger and connecting the charger into the electrical outlet is dangerous to for young children. The charger should not be used by children.
- Do not unplug the charger by pulling on the power cord – there is a risk of damaging the power cord/socket and/or charger. Unplug the power cord by pulling on the charger unit.
- Be particularly careful if the display glass on the phone breaks as sharp glass parts can cause injury. Do not use a damaged phone and seek professional help to repair the device.
- A high volume set on the mobile phone can result in damage to hearing, be careful when adjusting the volume. Using your phone to listen to loud music can have serious consequences. Be careful when adjusting the volume to listen to music.
- Do not use liquid or aerosol cleaning agents, benzine, solvents or similar products. Use a lightly damped towel for cleaning.
- Do not use the device near water, e.g. in a bathtub, shower or pool. Immersing the device into water can lead to injury by electric shock. Do not place any containers with water on the device, for example, vases.
- Place the device on stable surfaces. The device may become damaged if it falls on the ground.
- Do not cover the air vents on the device. These are used to prevent overheating.
- Keep the device in areas not prone to someone stepping on it.
- Do not place any objects into the air vents. Risk of fire or electric shock. Do not allow the device to be sprayed with liquid.
- To reduce the risk of electric shock, do not dismantle the device. If your device requires service or repair, take the device to an authorized service centre or qualified technician. Opening the device or removing the cover can uncover areas with dangerous voltage or other risks. Risk of electric shock when using a device that is not properly reassembled.
- Do not expose the device to extreme temperatures, e.g. near a hot radiator or stove or in a heated car.
- Do not place the device on burning objects, such as candles or cigarettes.
- Do not use the device to report gas leaks near the source of the leak.
- This smartphone is capable of capturing photos, recording video and sound; respect the relevant laws and regulations for using these features. Under certain circumstances, capturing photos, video and sound recordings without permission can be considered as breaking the law and valid regulations.



- When using network features, please do not download files infected with a virus, do not install damaged photos and ringtones. Our company is not liable for defects caused by the phone behaving abnormally after downloading files.
- Follow local regulations for disposing of the battery. Recycle if possible. Do not throw the battery into standard waste.

**WARNING**

To prevent the risk of fire or injury by electric shock, do not expose this device to rain or humidity if you suspect that it may cause liquid penetration. Make sure that all the seals of the back cover are entirely snapped on. Thereafter, the condition IP68 (maximum immersion time 60 min. at a depth of 1.5 m) will be fulfilled.

DECLARATION: Our company reserves the right to review the contents of this manual without prior notice.

Notes

Some features and accessories described in this user manual depend on the software installed and the capacity and configuration of the local network, and do not necessarily need to be available or can be limited by mobile carriers. Thus, the descriptions provided do not necessarily correspond precisely to the specific phone or accessories, which you purchased. The manufacturer is not responsible for the quality and legality of any contents, which you upload or download to the mobile phone, whether it concerns text, pictures, music, films, additionally installed software protected by copyright etc. You are liable for consequences following the installation or using the contents of the above stated on this mobile phone.

All screenshots, symbols and icons in the user's manual are simulated. Actual screenshots, symbols and icons may differ.

Step-by-step procedures can differ from those provided in this manual, depending on the firmware version on the phone.

Unless stated otherwise, the home screen is the presumed starting point for all procedures described.

The phone is a device, the behaviour of which can be altered by the user via additional apps. Procedures and individual steps can therefore differ from those contained in this manual.

Note on the service provider: The phone is configured from the factory to fully utilize available services. Your provider can limit or change some functions, security measures or behaviour of the phone, as opposed to the description in this manual. Ask your provider for any changes.

SENCOR®

Appendix to the user's manual for the LCD panel

Measures for static image; red/blue/green/black spots on the screen

A static image can damage the LCD display permanently.

- Do not leave a static image on the LCD panel for more than 2 hours. This may result in a damaged panel. This damage is known as "screen burn-in".

The warranty does not apply to screen damage caused by the reasons stated above!



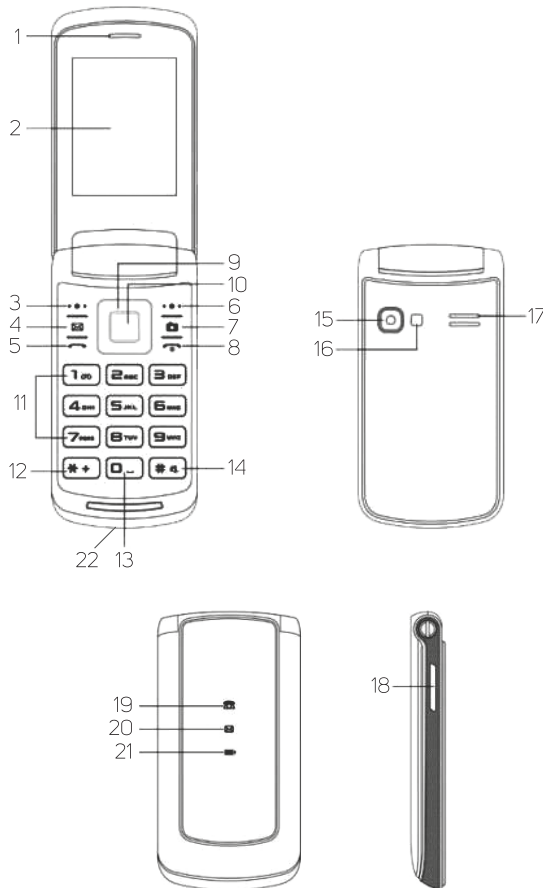
Red, blue, green, and black dots may appear on the screen

- This is typical for liquid crystal displays and does not indicate any problems. LCD screens are made using precision technology to provide even the finest image details. Several defective pixels can appear on the screen from time to time, indicated as red, blue, green or black dots (up to 0.001% of the total pixel count of the screen). This does not affect the properties and performance of your device.

3. Prior to use

3.1. Marking and description of the parts of the device

3.1.1. Device



- | | |
|---|--|
| <ol style="list-style-type: none"> 1. Speaker 2. Left software button 3. Shortcut key (News) 4. Call button 5. Right software button 6. Shortcut key (Camera) 7. End call button | <ol style="list-style-type: none"> 8. Arrow navigation keys (▲, ▼, ◀, ▶) 9. OK button (middle navigation key) 10. Keys to enter text and numbers 11. Key * 12. Key 0 (flashlight on/off) 13. Key # (ringtone profile change) 14. Camera |
|---|--|

- | | |
|-------------------------------------|--|
| 15. Camera flash, flashlight | 19. Notification LED (News) |
| 16. Speaker | 20. Notification LED (Battery) |
| 17. Volume control buttons | 21. Charging and headphones jack (micro USB) |
| 18. Notification LED (Phone, Calls) | |

**NOTIFICATION**

Use caution when opening and closing the phone cover. Do not expose the phone hinge to increased pressure, especially in case when the cover of the phone is open. Never open or close the phone using other objects.

3.1.2. Description of buttons

Buttons	Functions
Left software button / right software button	<ol style="list-style-type: none"> Performing functions displayed in the left/right bottom corner of the screen. In standby mode, the left soft button activates the menu; use the right software button to enter your contacts.
Navigation keys	They correspond to a navigation key and arrow buttons except in case of special functions.
Call button	<ol style="list-style-type: none"> By pressing this button, you dial a number or accept an incoming call. In the standby mode, press this button to enter the list of dialled numbers.
OK button (middle navigation key)	This provides access to the phone menu from standby mode. Press OK on the next screens to confirm the selection.
End call button	<ol style="list-style-type: none"> Press and hold the button to switch off the phone. Press to return from any screen to the standby screen. Press to end call or reject and incoming call.
Keys to enter text and numbers	Serve to dial or enter numbers and symbols. Press and hold the number 1 to go to the preset voicemail. Enter the required text in the writing text mode.
Button *	From the standby screen, enter * after entering a phone number to enter the extension number; enter the extension number after the "+" sign.
Button #	<ol style="list-style-type: none"> On screen for text editing, press the # key to switch the text entry method. Press and hold the button # on the standby screen to switch between the Normal, Vibration and Silent profiles.

3.2. Inserting SIM and memory cards

A SIM card must be inserted into the phone before it is first used. Your telephone operator will provide the SIM card.

When purchasing services from the mobile network, you receive a SIM card together with details including your PIN code and the optional services that are available.



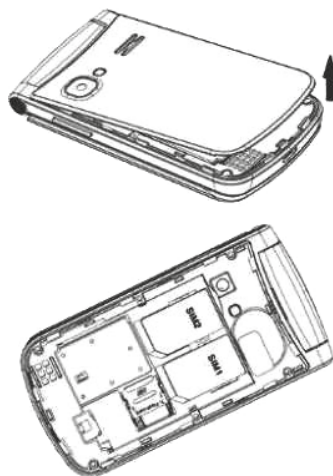
NOTIFICATION

Do not bend the SIM card and protect it from scratching. Do not expose the SIM card to static electricity, water and dirt. When inserting and removing SIM cards and the memory card, be careful not to damage the slots and base plate of the telephone.



WARNING:

before handling the cards (SIM and memory), disconnect the charger, switch off the phone and remove the battery.



To open the back cover, lift it with your fingernail or a blunt object in the location of the cut (at the bottom of the battery cover) and gently loosen the cover around the perimeter of the phone.

Lift the battery with a fingernail or a blunt object at the top of the phone in place of the battery cut-out (on the upper left of the installed battery).

Insert the SIM cards in the appropriate slots under the battery with contacts downwards, so that the contacts of the SIM cards touch the built-in contacts for SIM cards in the phone. Insert the SIM1 card in the right slot with the cut-off corner placed in the bottom right corner of the slot, insert the SIM2 card in the left slot with the cut-off corner placed in the bottom right corner of the slot.

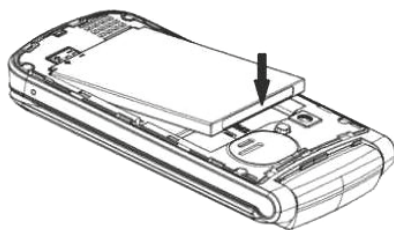
Place the memory card in the slot in the right bottom part in the right bottom part of the space under the battery, which is protected by a locking plate. You will release the locking plate by pressing on it gently a move to the right.

Insert the memory card under the locking plate with the contacts facing down so that the memory card contacts touch the built-in contacts for a memory card in your phone and the edge of the memory card with cuts facing the lower edge of the battery compartment. Properly attached memory card copies with its cutouts the shape of the slot and can be evenly pressed with slight pressure into the slot. By attaching the locking plate over the memory card with slight pressure while moving toward the left you prevent the plate from moving.

**NOTICE:**

If the memory card does not work, make sure it is properly installed and has good contact. The maximum size of supported memory cards is 8 GB.

When inserting the battery in the phone, first connect the battery contacts with the contacts in the phone (bottom right) and then gently push the battery into the battery compartment.



To replace the back cover, ensure the correct attaching of the cover to the battery compartment and gently gradually press its edges from the top down around the perimeter of the cover until the cover correctly in all places touches the body of the phone.

**NOTICE:**

Phone functions such as voice calls, sending and receiving text and multimedia messaging and data transfer of different speeds can be available only when at least one inserted SIM card has activated operator functions and is within reach of its wireless network. Check with your provider for services available on your SIM card and access to its network.

3.3. Telephone on/off

Turn the phone on by pressing and holding the end call button. Turn the phone off by pressing and holding the end call button in standby mode.

3.4. Charging the battery

Connect the charger to the charger connector on the bottom edge of the phone. Notice: if your charger is connected it is not possible to connect headphones to the phone as well. Then connect the charger to a standard electrical outlet and an icon in the upper right corner of the screen starts to move. When the battery icon stops moving, the battery charging is complete. Hold the charger plug between two fingers and disconnect the charger from the phone.

**NOTICE:**

Use the original charger to ensure reliable mobile phone operation.

3.5. Security password

- **PIN**

The PIN is used to make it impossible to use your SIM card illegally. The PIN code is usually included with the SIM card. If you enter three consecutive times the wrong PIN, unlock it by entering the PUK code. You will receive details from your telephone operator.

- **PIN2**

The PIN2 code must be entered when entering certain features (e.g. Charge calls); if you enter three consecutive incorrect PIN2 code, unlock it by entering the PUK2 code. You will receive details from your telephone operator.

- **PUK**

When removing a locked PIN code you must enter the PUK code. PUK code is included with the SIM card. If it is not included, contact your telephone service provider. If you enter ten times in a row the wrong PUK, the SIM card cannot be used any longer. Contact your telephone service provider to purchase a new card. The PUK code cannot be changed. If you lose the code, contact your telephone service operator.

- **PUK2**

When removing the locked PIN2 code, you must enter the PUK2 code. If you enter ten times in a row the wrong PUK2 code, you cannot use the functions requiring PIN2 code any longer. Contact your telephone service provider to purchase a new card. The PUK2 code cannot be changed. If you lose the code, contact your telephone service operator.

4. Quick calling guide

In case that when you switch on the phone and the default language is English, proceed as follows through the telephone Menu: Main menu/ Settings/ Phone settings/ Language settings/ Display language and here select the required language from the menu.

4.1. Making a call

In standby mode, using the number keys enter the phone number you want to dial. When you enter the number, press the dialling button and the call is made. In case that you have 2 active SIM cards in the phone, the phone prompts you to select the SIM card from which to make the call. If you want to make an international call, add before the phone number the area code.

4.2. Ignoring a call

You can reject the incoming call by pressing the end call button.

4.3. Receiving a call

When you receive a call, the phone duly alerts you (vibration, ring tones, etc.); if this feature is supported by your telephone network, the phone's screen shows the name and telephone number of the caller; at this point you can press the dialling button to receive the incoming call.

4.4. Ending a call

After the conversation you can end the call by pressing the end call button.

4.5. Emergency calls

Call to the emergency services can be made directly without the SIM card. Different networks use different emergency numbers. Contact your telephone operator for details.

4.6. Speed dial of extension

To enter a pause (e.g. for direct dialling to an extension number) after entering a phone number, press and hold *****. The screen shows the symbol "P", then continue to enter the extension number. When dialling, insert a short pause between the numbers for the switchboard to recognize the number correctly.

5. Available functions in the phone menu

5.1. Call history

Call History provides an overview of calls and the option to delete records.

Missed calls: View the list of recent missed calls.

Dialled numbers: View the list of recent dialled numbers.

Received calls: View the list of recent received calls.

Rejected calls: View the list of all recent calls.

By pressing the Options button in each report, you can select the desired function for the selected item, such as Call a number, Write a text message, Add number to contacts, Add to blacklist or Delete the record from the call history.

Delete the call list: You can delete all call numbers lists, received, missed and rejected calls.

5.2. Contacts

This function allows you to browse the phonebook, save, edit, and delete names and phone numbers in the phone and SIM card. The memory capacity of the SIM card varies and the maximum memory capacity of this phone is 500 contacts.

5.3. Volume

The phone can play MP3 files stored in the phone memory or from the memory card and supports background playback. Use the navigation keys for player controls and its volume. Use the left software key to go to the list of tracks or continue to Settings:

Repeat: Setting the repeat mode

Mix: Setting the shuffle mode

5.4. Camera

The device is equipped with a camera. For the camera to fully function, it must have a memory card with free space on it inserted in the phone.

Press the software key left/right to display the menu of available properties of the selected shooting mode. Press the direction key up/down to adjust zoom. Keys ***/#** enable to adjust brightness. Number keys offer the option to change quickly the settings displayed by the icons on the right side of the screen (key "3" – image size, "5" – white balance, "8" – the number of multiple shots). Press OK to take a picture.

Press the button Options to display the available functions.

Other settings: With this feature, you can switch shooting mode (camera or video) or adjust the various options (flash, image size, brightness, contrast, etc.) Use the directional navigation keys to move in the menu.

Picture viewer: It allows the access to a browser of stored images.

Settings: You can set selected properties and storage.

5.5. Messages

Message service is in fact a service of the telephone network. This menu is functioning properly, depending on the type of SIM card and the services provided by the telephone operator. Therefore check this function before using it. The message capacity of the SIM card depends on its type. Before using this function, make sure that you have the service center number of the telephone operator.

Write message: Insert in the top line the telephone number of the message recipient or use the option Options/Contacts and confirm the required contact. Type the text of the message in the lines under the list of the recipients. How to insert the text is described in a separate chapter. Send the message using the menu accessible with the left software key (Options/Send) or by pressing the middle key OK.

Inbox: Saves received SMS messages.

Outbox: Stores SMS messages, which were not yet sent.

Drafts: Stores unsent messages.

Sent messages: Stores successfully sent SMS messages.

Settings: Offers the option to adjust the settings of the messages.

5.5.1. MMS messages

You can insert in the MMS message the subject of the message, text and pictures or videos in your inserted slides.

To use the MMS service, you have to insert a memory card in the phone with free space on it. The functioning of this service must be activated by your network operator, including data services. For proper function of data services, it is necessary to have the correct settings in this section: Messages/Settings/Multimedia message for selected SIM card.

**NOTICE:**

It is possible that the photo or video may not be displayed correctly on a different kind of mobile device. Also, the received messages do not have to be displayed as the sender sent them. Prices of sent messages may vary depending on the data volume of the message. It is recommended that you find all information from the data operator before using the service.

5.6. Multimedia

5.6.1. Camera

The phone allows video recording and its storage using the function Camera, set to video mode.

5.6.2. Video

Used to view videos. This phone supports video formats 3GP, AVI and MP4.

5.6.3. FM Radio

To connect the FM radio, you need to have earphones that work as an aerial for the telephone. You can call or receive calls when listening to the radio without limitations. The radio sound is muted during a call. Press left/right navigation keys to switch between stations. Press OK to stop/start play of the FM radio. Use the volume button on the side of the phone to control the volume. On the radio play screen, press the left software key to enter the options menu, where you can do the following:

Automatic searching and storing: Starts automatic station search and saves the found station in the station list.

Channel list: You can play, save or edit the name and frequency of the selected station.

Manual search: You can search for the frequency manually, and save it.

To turn on speaker: Allows loud playback.

Playback in the background: Allows you turn on or off listening to the radio in the background.

Recording: Allows saving the audio track in memory. Warning: It is necessary to have a memory card inserted when recording.

5.6.4. Picture

It is used to view the saved images and their use, sharing, renaming or erasing.

5.6.5. Recording device

You can use the phone to record sound. For the camera to fully function, it must have a memory card inserted in the telephone.

5.6.6. Games

The phone offers games, which can be controlled by the navigation keys, middle key or the keyboard keys.

5.7. Internet

The phone is equipped with an internet browser. For proper functioning of your browser it is necessary to have an inserted memory card with free space. Before the first setting, make sure that you have a data transmission service activated by your network operator. If the parameters of the network connection do not set automatically, you have to set them manually in the Setting section. The network operator will provide you with the parameters necessary for data transmission.

The browser is designed to work with basic web pages. Enter the address of the desired web page in the field Enter URL. After loading the web page you can use the Options button to perform advanced functions such as Save as homepage, add as bookmark or send the link via text message.

**NOTICE:**

Some websites may not be displayed correctly and may not support active graphic elements.

5.8. Profiles

Preset profiles are Normal, Silent, Vibration alert, Inside and Outside. Setting up some profiles can be customized.

5.9. List of files

This is for viewing pictures and captured photos on a memory card through a photo album. It is also possible, for example to rotate the selected image, set it as your wallpaper, share it via Bluetooth.

Tip:

Files taken with the phone camera are saved in the folder Photos, videos are saved in the Video folder. You can save your own audio files to listen to in the folder My Music.

5.10. Tools

- **Torch Light**
Allows to turn on/off the phone's flashlight.
- **Alarm**
You can edit the name of the alarm clock, time of alarm and the snooze mode. You can have up to 5 preset active or inactive alarms.
In the "alarm edit" regime, use the up and down buttons to switch to further options. When the cursor is over the desired item, use the left / right keys to change the options for some items (e.g. alarm time). Press "OK" for other items and select from the options shown.
- **Stopwatch**
The stopwatch function allows to measure time.
- **World time zones**
Offers the display of the actual time in selected cities.
- **Timer**
Countdown function of selected time.
- **Calendar**
This function can be used to view easily calendar days. Using the up / down / left / right keys you can go to another date and write a task for the given day.

- **Calculator**
This function changes your device into a calculator, which can perform simple mathematical operations. Perform mathematical operations with the navigation arrow keys and the central navigation key according to the legend on the display.
- **Bluetooth**
Bluetooth: In the case of an active Bluetooth connection, all items of the Bluetooth settings are available for editing.
Visibility: You can choose phone visibility or hide it when Bluetooth is connected. If the Bluetooth visibility is off, other devices will not be able to find your telephone.
Paired devices: Shows the list of already paired devices. You can find other Bluetooth devices and find a compatible one. If the pairing passwords of two Bluetooth devices are identical, the pairing will be successful. Some devices (like Bluetooth headphones) have a preset code for connection. You will find it in the manual of the device.
- **SIM Toolkit**
Services are available based on the SIM card. Contact your telephone operator for more information.

5.11. Settings

You can adjust the phone setting, like time and date, language, call settings, etc.

5.11.1. Call setting

In the Setting/Call setting menu are the following functions for individual SIM cards.

Dual SIM: Sets active SIM cards (only the selected SIM or both SIM cards). Allows you to activate the airplane profile, which is used to shut down all transmitting and receiving modes of the phone (e.g. shutdown signal GSM/GPRS, Bluetooth).

**NOTICE:**

Do not use this function, but switch off the entire unit.

Receive by opening: Allows to adjust your SIM cards settings to answer an incoming call by opening the phone.

Call forwarding: When activated, you can under selected conditions (all calls, if phone number is busy, if there is no answer, in case of unavailability of phone numbers) allow incoming calls to be forwarded to voicemail or other numbers.

Call waiting: You can switch this function on or off. When the function is activated, you can take another call during an ongoing call.

Blocked call: When activated, it can under selected conditions (all outgoing/ incoming calls, roaming calls, international calls) restrict calls according to corresponding conditions (need to apply for to the telephone operator).

Hide caller ID: It allows you to hide your telephone number for outgoing calls.

Other: Offers activation of additional functions (time reminders during ongoing call, automatic redial in the case of an unsuccessful attempt of connection, vibration when a call is connected, automatic call recording).

5.11.2. Phone Settings

Time and date: You can set the date and time of the phone and also their display mode.

Language: You can select the language for the phone.

Set shortcuts: You can change the assignment of speed dial to the right software key and also to navigation keys in standby mode (up, down, left, right).

Automatic switch on: The phone allows you to set turn on and off time.

**NOTICE:**

If your SIM card is PIN-protected, you must enter the PIN code after automatic turn on of your phone to log on to the network operator.

Setting of the notification LEDs: Allows you to set up notifications with LEDs on the cover of the phone.

Reset settings: You can restore default values of part of the phone settings. The default code to restore the factory setting is: 1122.

**NOTICE:**

Restoring the factory settings may cause the loss of stored settings and data.

5.11.3. Set LCD display

Allows to adjust your wallpaper display in standby mode, the icons display, contrast, the length of time of the backlight and keyboard.

5.11.4. Security

Contains an item for each SIM setting and phone security:

PIN: offers activation/deactivation of the PIN code or its change.

Change PIN2: allows to change setting of PIN2 code.

Phone lock: allows activation or deactivation of phone lock. The default password is "1122".

Edit phone password: offers the change of phone password.

Privacy: you can set phone lock for using selected functions of the phone.

Blacklist: Rejection of blocked numbers can be switched on or off. You can edit the list of the blocked numbers.

5.11.5. Connect

Network account: Used to set the SIM intended for data connection. For the correct data account setting for transmission using GPRS, contact your telephone operator.

6. Entering text

The device offers several text input modes, you can enter text or data in your contacts, edit contact records, search for names and write SMS messages.

If you want in the "text input" mode change the input method, press the "#" button. The selected text input method is displayed in the upper right corner of the screen.

Letters (big, normal)

Enter the editing page, press the "#" button and switch the mode of entry to "letters" (e.g. "Abc"), then use the number pad and the selected letters will appear on the screen. Press a number key once to enter the first letter printed on the key, press quickly twice for the second letter. If the letter you want to enter is on the same key as the previous letter, wait until the cursor appears again, and then enter the next letter.

For example, if you want to enter "OK", you should press three times "6" and thus enter "o", then double press "5" and the display will show the letter "k". Press the right software key to delete the entered text.

Numbers

Go to the editing mode and press "#" to change the method of entering to "numbers" (e.g. "123"). Then use the number pad and the screen will show the appropriate numbers. Individual buttons 0-9 represent numbers from 0 to 9. To enter the number you want, you can press the corresponding button. Press the right software key to delete the number.

Insert punctuation from the selection by pressing *. To speed up selection you can use the key "1" (repeated press).

For space in the text use the "0" key.

7. Care and maintenance

Battery care

The device is powered by a battery. It is necessary to charge the battery when it is empty. You can achieve a maximum performance of a new battery only by charging it when it is fully discharged.

If you do not use the charger, unplug it from the power outlet and from the device. Do not leave a fully charged battery charge for longer than is strictly necessary. Overcharging may shorten its life.

Temperature affects the level to which the battery can be recharged. Therefore, it is necessary to keep the battery at room temperature before charging. If the temperature of the battery exceeds 40 °C, it is not possible to charge it.

Use the battery only for its intended purpose and prevent short-circuiting. Accidental short-circuiting can occur when a metallic object causes direct connection of the positive (+) and negative (-) battery terminal.

Do not use damaged battery.

Do not leave the battery in hot or cold places. It reduces its capacity and life. A device with a hot or cold battery may not work temporarily, even when the battery is fully charged.

Do not throw batteries into a fire, they could explode. Dispose of them in accordance with local regulations.

Product care and maintenance

The following recommendations will help to extend the life of your phone.

Keep the device and accessories out of the reach of small children.

Keep the device dry. All types of liquids or moisture will cause disruption of electronic circuits.

Do not store the device in hot places. High temperatures can shorten the life of electronic devices and warp or melt certain plastics.

Do not attempt to open the device in other ways than as described in this manual.

Improper handling can damage the device.

When cleaning the unit, do not use harsh chemicals or strong detergents.

**NOTICE:**

Use only the supplied or approved replacement accessories. Non-original accessories may damage your phone and may constitute breach of warranty conditions.

8. Technical specifications

Display

Size: 2,4" TFT

Resolution: 240 × 320

Chipset

CPU: SC6531

Memory media

Operation memory: 64 MB

ROM: 64 MB

Micro SDHC Slot (up to 8 GB)

Camera

Rear: 0,3 Mpx (VGA)

Network/Connectivity

GSM Dual Band 900/1800 MHz

Bluetooth 2.0

Features

Notification Symbols (Call, Message, Battery)

FM radio

Torch Light

Vibration Motor

Video and Music Player

Keypad lock

Other

Micro USB 2.0

Rechargeable battery: Li-Ion 800 mAh

Dimensions: 103.5 × 53 × 13.5 mm

Weight: 114 g

Accessories: Charging adapter, USB cable, reduction of Micro USB to 3.5 mm, User's Manual

The above given specifications can change without prior notice.

Manufacturer address: FAST ČR, a.s., Černokostelecká 1621, 251 01 Říčany

The original version is in Czech.

The CE symbol indicated on the device, in the user's manual and on the packaging indicates that the unit complies with the basic requirements of the R & TTE Directive 1995/5 / EC, Low Voltage Directive 73/23 / EEC. The declaration of conformity can be found at www.sencor.cz.

INSTRUCTIONS AND INFORMATION REGARDING THE DISPOSAL OF USED PACKAGING MATERIALS

Dispose of packaging material at a public waste disposal site.



DISPOSAL OF USED ELECTRICAL AND ELECTRONIC APPLIANCES

The meaning of the symbol on the product, its accessory or packaging indicates that this product shall not be treated as household waste. Please, dispose of this product at your applicable collection point for the recycling of electrical & electronic equipment waste. Alternatively in some states of the European Union or other European states you may return your products to your local retailer when buying an equivalent new product.

The correct disposal of this product will help save valuable natural resources and help in preventing the potential negative impact on the environment and human health, which could be caused as a result of improper liquidation of waste. Please ask your local authorities or the nearest waste collection centre for further details. The improper disposal of this type of waste may fall subject to national regulations for fines.

For business entities in the European Union

If you wish to dispose of an electrical or electronic device, request the necessary information from your seller or supplier.

Disposal in other countries outside the European Union

If you wish to dispose of this product, request the necessary information about the correct disposal method from local government departments or from your seller.



This appliance complies with EU rules and regulations regarding electromagnetic and electrical safety.

Changes to the text, design and technical specifications may occur without prior notice and we reserve the right to make these changes.

SENCOR®

EN Warranty conditions

Warranty card is not a part of the device packaging.

This product is warranted for the period of 24 months from the date of purchase to the end-user. Warranty is limited to the following conditions. Warranty is referred only to the customer goods using for common domestic use. The claim for service can be applied either at dealer's shop where the product was bought, or at below mentioned authorized service shops. The end-user is obligated to set up a claim immediately when the defects appeared but only till the end of warranty period. The end user is obligated to cooperate to certify the claiming defects. Only completed and clean (according to hygienic standards) product will be accepted. In case of eligible warranty claim the warranty period will be prolonged by the period from the date of claim application till the date of taking over the product by end-user, or the date the end-user is obligated to take it over. To obtain the service under this warranty, end-user is obligated to certify his claim with duly completed following documents: receipt, certificate of warranty, certificate of installation.

This warranty is void especially if apply as follows:

- Defects which were put on sale.
- Wear-out or damage caused by common use.
- The product was damaged by unprofessional or wrong installation, used in contrary to the applicable instruction manual, used in contrary to legal enactment and common process of use or used for another purpose which has been designed for.
- The product was damaged by uncared-for or insufficient maintenance.
- The product was damaged by dirt, accident of force majeure (natural disaster, fire, and flood).
- Defects on functionality caused by low duality of signal, electromagnetic field interference etc.
- The product was mechanically damaged (e.g. broken button, fall).
- Damage caused by use of unsuitable media, fillings, expendable supplies (batteries) or by unsuitable working conditions (e.g. high temperatures, high humidity, quakes).
- Repair, modification or other failure action to the product by unauthorized person.
- End-user did not prove enough his right to claim (time and place of purchase).
- Data on presented documents differs from data on products.
- Cases when the claiming product cannot be indentified according to the presented documents (e.g. the serial number or the warranty seal has been damaged).

Authorized service centers

Visit www.sencor.eu for detailed information about authorized service centers.