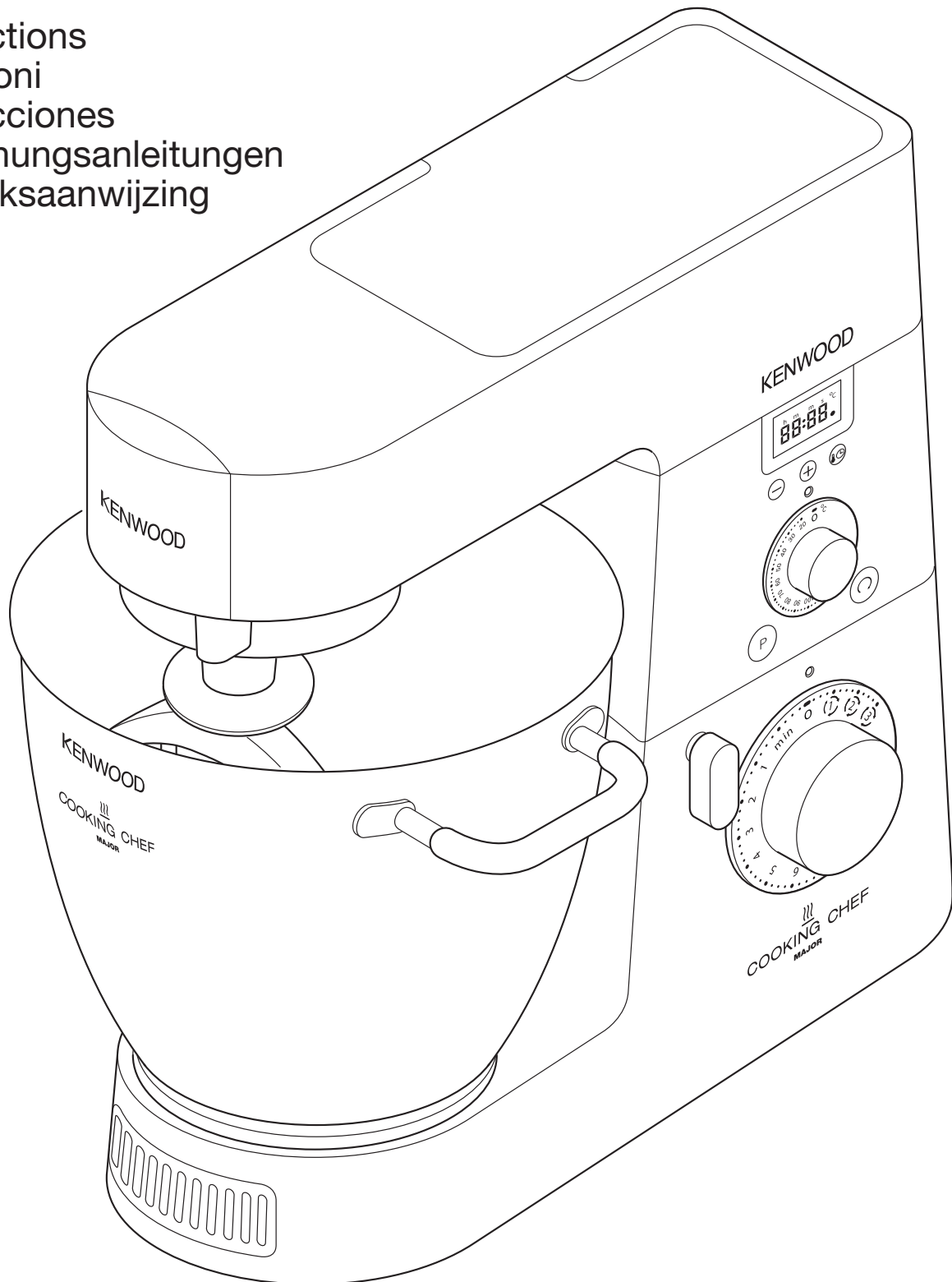


KENWOOD

KM080 series

instructions
istruzioni
instrucciones
Bedienungsanleitungen
gebruiksaanwijzing



English	3 - 19
Nederlands	20 - 37
Français	38 - 55
Deutsch	56 - 73
Italiano	74 - 91
Português	92 - 109
Español	110 - 127
Русский	128 - 145
Ελληνικά	146 - 163

English

before using your Kenwood appliance

- **Read these instructions carefully and retain for future reference.**
- Remove all packaging and any labels.

know your Kenwood Cooking Chef Kitchen Machine

safety

important note - electronic medical implants

- Like all induction heating products, this appliance generates short-range magnetic fields. If any user or person in close proximity has a pacemaker or other active implants, please consult a doctor before use, concerning any possible incompatibility to prevent any risk to health.
- Switch off and unplug the appliance before fitting or removing tools/attachments, after use and before cleaning.
- Keep body parts, jewellery and loose clothing away from moving parts and fitted attachments.
- Never put your fingers etc., into the hinge mechanism.
- Never leave the appliance on unattended.
- Never use a damaged appliance. Get it checked or repaired: see 'service and customer care', page 16.
- Never use an unauthorised attachment or more than one attachment at once.
- Never exceed the maximum capacities on page 13 and when using the induction heater never exceed the 3 litre maximum fill level marked on the inside of the bowl.
- When using an attachment, read the safety and usage instructions that come with it.
- Take care when lifting this appliance as it is heavy. Ensure the head is locked and that the bowl, tools, outlet covers and cord are secure before lifting.
- Never let the cord hang down where a child could grab it.
- Never let the power unit, cord or plug get wet.
- Be careful when handling or touching any part of the appliance when being used in the cook mode or after cooking, **IN PARTICULAR THE BOWL, SPLASHGUARD AND TOOLS** as they will remain **HOT** long after the appliance has been switched off. Use the handles to remove and carry the bowl. Use oven gloves when handling the hot bowl and hot mixing tools.
- The underside of the bowl will remain hot long after the heating has stopped. Use caution when handling and use the work surface protection mat when placing the bowl on heat sensitive surfaces.
- Be careful of steam escaping from the mixer bowl particularly when opening the lid in the splashguard or when raising the mixer head.
- If transferring hot food from the mixer to the liquidiser, always allow the ingredients to cool to room temperature before placing in the liquidiser.
- Only use the bowl and tools supplied with this appliance. Never use the bowl with any other heat source.
- Never operate the appliance in the cook mode with the bowl empty.
- Never insert anything through the air vents.
- When using this appliance ensure it is positioned on a level surface away from the edge. Make sure it is at least 10 cm from walls and ensure that the vents are not blocked. Do not position below overhanging cupboards.
- For the correct and safe operation of the induction cooker ensure that the bowl base and temperature sensors are clean and dry before cooking.
- As with all induction cooking appliances do not place credit cards, magnetic media or sensitive electronic equipment near to the appliance when in use.
- Do not use the appliance for deep frying foods.
- Always ensure food is thoroughly cooked before eating.
- Food should be eaten shortly after cooking or allowed to cool quickly and then refrigerated as soon as possible.
- This appliance is not intended for use by persons (including children) with reduced physical, sensory or mental capabilities, or lack of experience and knowledge, unless they have been given supervision or instruction concerning use of the appliance by a person responsible for their safety.
- Children should be supervised to ensure that they do not play with the appliance.
- Only use the appliance for its intended domestic use. Kenwood will not accept any liability if the appliance is subject to improper use, or failure to comply with these instructions.

before plugging in

- Make sure your electricity supply is the same as the one shown on the underside of your machine.
- This appliance conforms to EC directive 2004/108/EC on Electromagnetic Compatibility and EC regulation no. 1935/2004 of 27/10/2004 on materials intended for contact with food.

before using for the first time

Wash the parts: see 'care and cleaning' page 16.

introduction

Thank you for buying this Kenwood Cooking Chef Kitchen Machine, we hope you will enjoy many years use.

Kenwood has nearly 60 years of experience and expertise in developing our Kitchen Machines and their wide variety of attachments. Kenwood Chef Kitchen Machines are renowned for being more than just a food mixer.

In the development of Cooking Chef we have taken the well-known versatility of the Chef a step further by introducing integrated Induction Cooking directly beneath the mixing bowl. You can now enjoy all of the benefits of everyday 'cold bowl' planetary mixing when preparing your favourite cakes, pastries and dough, plus the added advantage of heating and cooking directly in the bowl combined with planetary mixing. The opportunities are endless.

The Kenwood Cooking Chef with its range of optional attachments truly is the complete food preparation system.

Strong, Reliable, Versatile, Kenwood.

What is Induction Cooking and how does it work?

Induction cooking is an advanced cooking method that employs the principles of electromagnetic induction. When an electric current is passed through a copper coil in the induction cooking area it creates an electromagnetic field. When the Cooking Chef bowl is locked into position the circuit is completed by a special layer of stainless steel in the bowl base. In turn this creates a large amount of thermal energy that passes through to the contents of the bowl, thus heating the food.

Induction cooking is extremely energy efficient because it only produces heat in the base of the bowl. Other heating methods such as gas hobs waste almost 50% of the heat energy around the sides of the pan. Indeed the Induction cooking area on your Cooking Chef only feels hot during and immediately after cooking because of the heat transferred back from the contents of the bowl. All of this means that Induction cooking is very efficient, very safe and very clean.

The cooking functionality of your Kenwood Cooking Chef is similar to using a saucepan on your cooker hob. The added advantage is that the Chef will automatically stir your food and regulate the cooking temperature to your precise requirements, leaving you free to confidently perform other tasks in your kitchen.

The Cooking Chef uses induction heating technology which is extremely efficient. When compared to cooking on a gas or electric hob, you may find that cooking times are reduced or that you need to cook on a lower temperature. This should be considered when using your appliance for the first time or when experimenting with a new recipe. Make sure that if you start cooking at a high temperature, you keep watching and reduce the heat when necessary to stop food burning and sticking to the bowl, just as you would with your saucepan. Generally the Cooking Chef will automatically heat the food to your desired temperature in the quickest possible time. It is therefore not necessary to set the temperature higher than you require in order to reduce cooking times. At this stage you should also pay attention to the frequency of the stir settings. When cooking at higher temperatures you may find it necessary to stir constantly using stir setting (1). Stir settings (2) and (3) are useful in maintaining the consistency of your food during longer cooking periods on a low simmer.

Selection of the correct bowl tool is also important at this stage. Further on in this book we have suggested the most appropriate uses for each tool and with experience you will quickly understand which is best for each task. When cooking you will find that the high temperature flexible beater is best used to obtain a very smooth consistency for sauces and creams, whereas the stirring tool is better when cooking foods that need to maintain a more solid consistency, such as stews, casseroles, ragouts etc. Our recipe book recommends the best tools for each recipe, and you may also find that changing the tool for different processes during your meal preparation gives better results.

During cooking and immediately afterwards, the bowl, splashguard and bowl tool will be hot – just as your saucepan would be. Please take care when touching any of these. It is important to also remember that the cooking process will generate steam and condensation so take care when looking into the bowl, lifting the food chute lid or the Cooking Chef/machine head to view or access the bowl. You should also warn others when the machine is cooking or hot so they will also be careful. When touching or removing hot parts it is advised to use oven gloves and only carry the bowl using the handles provided. You may also find the work surface protection mat useful to protect heat sensitive surfaces.

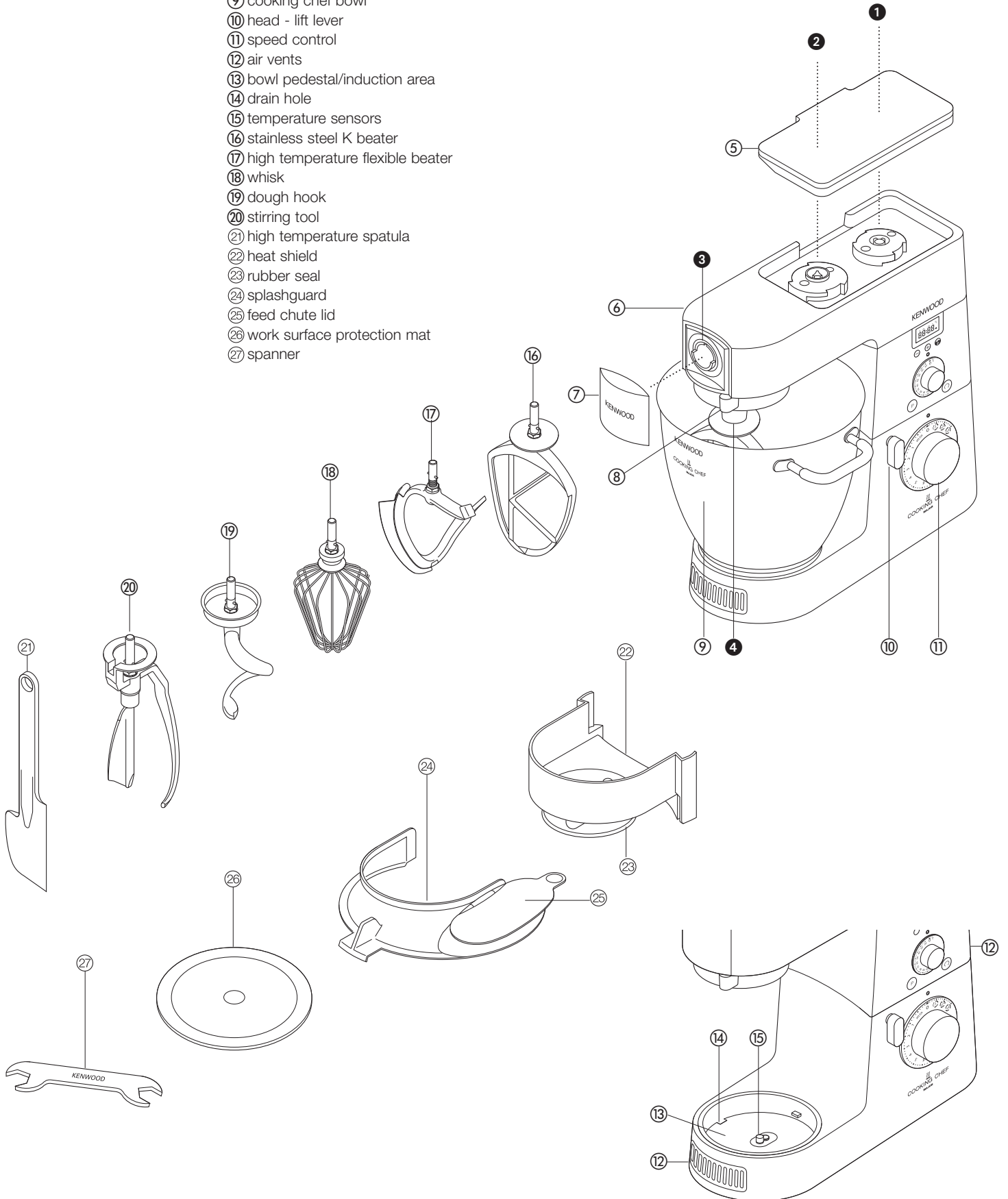
When heating liquids or food with a high water content, the accuracy of the temperature reading is usually within +/- 5°C. The accuracy of the temperature display and control will vary depending upon the consistency of your bowl contents, the volume of your bowl contents, the frequency of stirring and the bowl tool that is used. Again this is similar to cooking on a hob, for example, where a large quantity of food in a large saucepan is heated but not stirred thoroughly. The food will be hot at the base of the saucepan, or even burnt, whereas the food near the top will be much cooler.

In addition to the temperature display the machine has a small blue LED. This will flash until the machine has reached the selected temperature. Once the required temperature is reached the light will stop flashing. However, you should note that when you add further ingredients to the bowl the blue LED will begin to flash again as the temperature of the bowl contents will be reduced by cold ingredients. You may also notice the static light begin to flash if the mixing frequency is increased.

You will quickly find that your Kenwood Cooking Chef is simple to use and will help make your everyday food preparation easy.

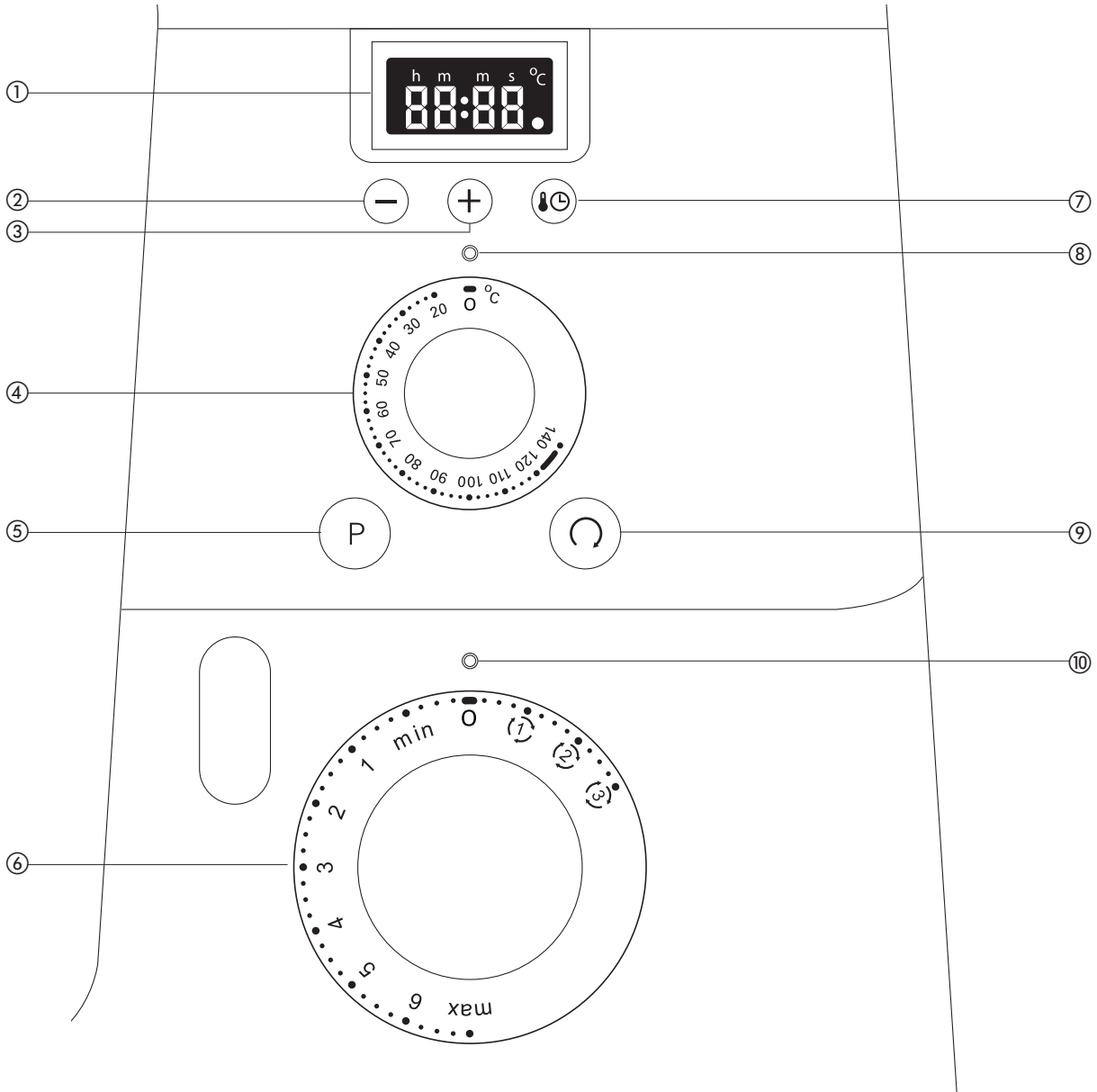
know your Kenwood Cooking Chef

- attachment outlets
- 1 high speed outlet
 - 2 medium speed outlet
 - 3 slow speed outlet
 - 4 tool socket
- the mixer
- 5 medium/high speed outlet cover
 - 6 mixer head
 - 7 slow speed outlet cover
 - 8 slow speed outlet lever
 - 9 cooking chef bowl
 - 10 head - lift lever
 - 11 speed control
 - 12 air vents
 - 13 bowl pedestal/induction area
 - 14 drain hole
 - 15 temperature sensors
 - 16 stainless steel K beater
 - 17 high temperature flexible beater
 - 18 whisk
 - 19 dough hook
 - 20 stirring tool
 - 21 high temperature spatula
 - 22 heat shield
 - 23 rubber seal
 - 24 splashguard
 - 25 feed chute lid
 - 26 work surface protection mat
 - 27 spanner



control panel

- ① timer/temperature display
- ② timer decrease button
- ③ timer increase button
- ④ temperature control
- ⑤ pulse button/high speed, high temperature whisk button
- ⑥ speed control
- ⑦ timer/temperature selector button
- ⑧ temperature indicator light
- ⑨ fold button
- ⑩ speed control indicator light



adjusting the height of the tools

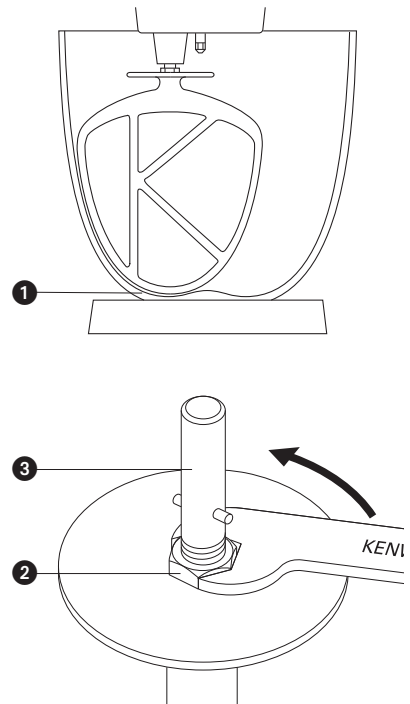
Please refer to page 9 on how to assemble the mixer.

whisk, stainless steel K beater, stirring tool

For best performance the whisk, K beater and stirring tool should be **almost** touching the bottom of the bowl ❶. If necessary adjust the height using the spanner provided.

Here's how:

- 1 Unplug the appliance.
- 2 Raise the mixer head and insert the whisk, beater or stirring tool.
- 3 Lower the mixer head. If the clearance needs to be adjusted, raise the mixer head and remove the tool.
- 4 Using the spanner provided loosen the nut ❷ sufficiently to allow adjustment of the shaft ❸. To lower the tool closer to the bottom of the bowl, turn the shaft anti-clockwise. To raise the tool away from the bottom of the bowl turn the shaft clockwise.
- 5 Re-tighten the nut.
- 6 Fit the tool to the mixer and lower the mixer head. (Check its position see points above).
- 7 Repeat the above steps as necessary until the tool is set correctly. Once this is achieved tighten the nut securely.



high temperature flexible beater - this tool should just touch the bottom of the bowl.

dough hook - this tool is set at the factory and should require no adjustment.

to fit and use your splashguard assembly

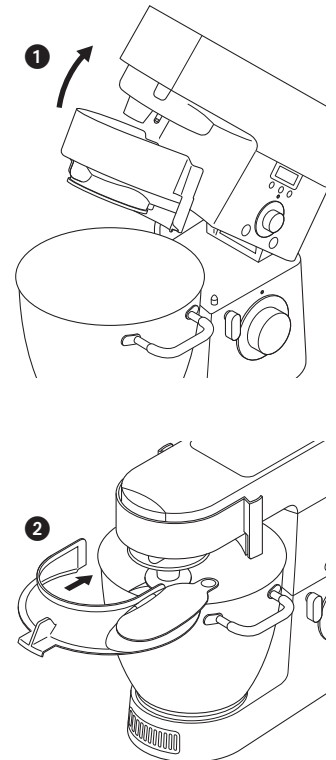
The splashguard assembly consists of 2 pieces: the heat shield and the splashguard.

The heat shield must be fitted during cooking operations otherwise the mixer will not operate and error code E:03 will be displayed. The heat shield is to protect the mixer head from steam produced during the cooking process.

If necessary both the heat shield and the splashguard can be fitted to retain ingredients in the bowl e.g. when mixing light ingredients such as flour and icing sugar, or when cooking ingredients where moisture needs to be retained in the bowl. The splashguard should not be fitted to the bowl unless used in conjunction with the heat shield.

- 1 Raise the mixer head until it locks.
 - 2 Push the heat shield upwards onto the underside of the mixer head ❶ until fully located. The heat shield must never be used without the rubber seal correctly fitted.
 - 3 Fit the bowl onto the base.
 - 4 Lower the mixer head.
 - 5 Rest the splashguard on the bowl rim and then slide forward until fully located ❷.
- During mixing, ingredients can be added directly to the bowl via the feed chute.
- 6 To remove the splashguard simply slide it away from the appliance.
 - 7 To remove the heat shield, raise the mixer head until it locks. Remove the tool, then pull the heat shield downwards from the underside of the mixer head.

Note: Only fit or remove the splashguard when the mixer head is in the locked position.



the mixer

the mixing tools and some of their uses

- K-beater ● For making cakes, biscuits, pastry, icing, fillings, éclairs and mashed potato.
- whisk ● For eggs, cream, batters, fatless sponges, meringues, cheesecakes, mousses, soufflés. Don't use the whisk for heavy mixtures (e.g. creaming fat and sugar) - you could damage it.
- dough hook ● For yeast mixtures only.
- high temperature flexible beater ● Suitable for many cooking operations in particular cooking custards, scrambled eggs and sauces. Ideal for scraping mixes both hot and cold from the sides of the bowl during mixing. Also suitable to sauté vegetables.
- stirring tool ● Suitable to use during cooking to maintain the consistency of food e.g. chicken, fish, vegetables and fruit.

to use your mixer

Before using the mixer ensure the temperature and speed controls are switched to the off 'O' positions.

- 1 Turn the head-lift lever clockwise ① and raise the mixer head until it locks.
- to fit a tool 2 Place the tool in the socket, locating the shaft pin in the groove and then turn to lock into position ②.
- stirring tool** - to fit the stirring tool, insert the shaft into the socket, then line up the slot on the extension so that it is located beneath the metal pin on the underside of the mixer head. Hold the paddle and turn so that the shaft pin is below the groove then push up and turn to lock into position ③.
- 3 Fit the bowl onto the base - press down and turn clockwise ④.
- 4 To lower the mixer head, raise it slightly, then turn the head lift lever clockwise. Lower into the locked position.
- to remove a tool ● Reverse step 2 above. (Always use oven gloves to remove tools after cooking).
- 5 Connect the mixer to the power supply. The speed and temperature indicator lights will illuminate briefly. The display will show **88:88** and then clear leaving the power on indicator illuminated .
- 6 Turn the speed control to the desired setting (see page 10 for recommendations), the mixer will start and the speed control indicator light will flash. The timer will count up in 1 second intervals. The speed can be changed at any time whilst the mixer is operating.
- 7 Stop the mixer by returning the speed control to the off 'O' position.

Important - If at any time, the mixer head is raised during an operation, the mixer will automatically stop and beep and it will not re-start when the mixer head is lowered. To re-start the mixer turn the speed control to the off 'O' position and then re-select a speed.

pulse button

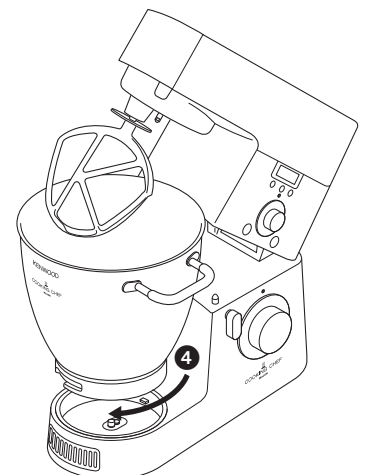
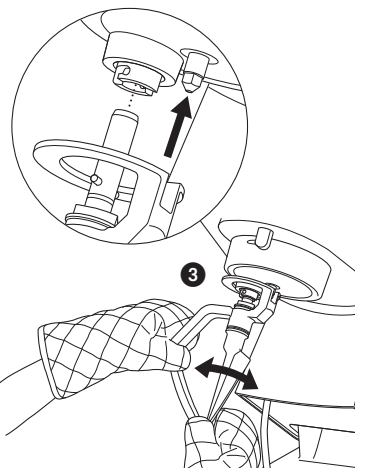
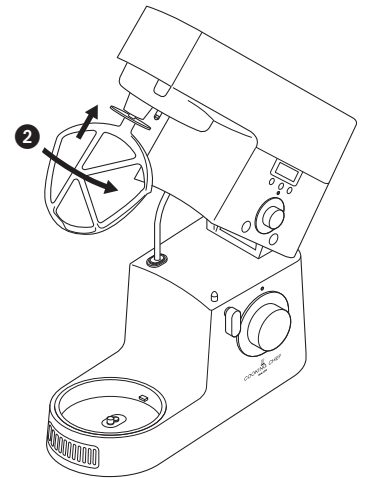
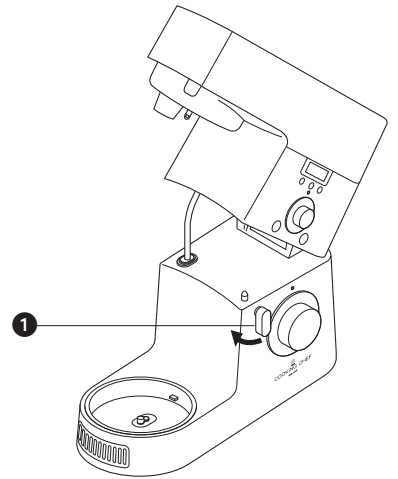
The pulse button can only be used when the speed control is in the off 'O' position.

To select pulse, press the pulse button **P** and the mixer will run at maximum speed for as long as the button is held in this position. If the bowl contents are above 60°C, the speed will increase gradually. This will be accompanied by a beeping sound and the speed and temperature indicator lights will flash quickly.

fold button

Press and release the fold button **F** and the mixer will automatically operate on minimum speed for 2 revolutions and then stop. The button can be pressed for a longer operation or pressed repeatedly as needed to combine ingredients.

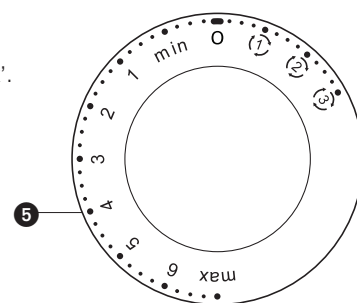
Note: If the fold button is pressed whilst the motor is running it will perform the standard fold function and then return to the selected speed.



speed control 5

The following speeds are a guide only and will vary depending upon the quantity and the temperature of the ingredients being mixed etc. Turn the speed control clockwise to obtain speeds 'min' through to 'max'.

- K-beater
 - **creaming fat and sugar** start on min, gradually increasing to 'max'.
 - **beating eggs into creamed mixtures** 4 - 'max'.
 - **folding in flour, fruit etc** min - 1
 - **all in one cakes** start on min speed, gradually increase to max.
 - **rubbing fat into flour** min - 2.
- high temperature flexible beater
 - **creaming fat and sugar** start on min, gradually increasing to 3.
 - **scraping mixes both hot and cold from the sides of the bowl** start on min gradually increasing to 3.
 - **sauteing vegetables, stirring risotto and polenta etc.,** use (1).
- whisk
 - Gradually increase to 'max'.
- dough hook
 - Start on 'min', gradually increasing to 1.
- stirring tool
 - Use with the stir settings only (1), (2), (3).



stir settings

To select the stir settings turn the speed control anti-clockwise. These are most suitable when the mixer is used in the cook mode. Please note, to use the stir speeds all outlet covers must be fitted.

- (1) – Use this setting when a constant slow speed is required e.g. stirring sauces.
- (2) – When the speed control is set to this position, the mixer will intermittently operate on a slow speed once every 5 seconds for approximately 2 revolutions.
- (3) – When the speed control is set to this position, the mixer will intermittently operate on a slow speed once every 30 seconds, making it suitable for stirring casseroles etc.

Return the speed control to the off 'O' position to stop the operation.

Note:

- Whenever a speed is selected, the speed indicator light will flash.
- A high pitched sound may be heard from the appliance when in use. This is normal.

to use the mixer to cook food

IMPORTANT

- Make sure the induction area, temperature sensors and external surface of the bowl base are clean. Failure to do this will affect the heat sensor, resulting in poor cooking performance.
- Check that all the outlet covers including the heat shield are fitted. If they are not correctly fitted the heating function will not operate.
- Always use oven gloves to remove the bowl and tools after cooking.

- 1 Assemble the mixer following the instructions on page 9.
- 2 Turn the temperature control to the required temperature.
 - **Heating will not commence unless a speed is selected.**
- 3 Turn the speed control to the desired speed which will switch on the motor and the heater. Both indicator lights will flash.
- 4 Once the set temperature is reached, the temperature indicator light will illuminate continuously. However, during cooking the light will start to flash if the temperature changes indicating that the mixer is trying to maintain the set temperature (please read introduction page 4).
 - If the bowl temperature exceeds 60°C, for safety reasons the speed is automatically limited even if a higher speed has been selected. The speed will not automatically increase when the temperature drops below 60°C. The speed control must be switched off first and the desired speed reselected.
 - Note: Each time the timer/temperature selector button is pressed, the display will alternate between the timer display and the temperature of the bowl contents.
- 5 To stop or pause the mixing and heating process, return the speed control to the off 'O' position. To resume the operation select a speed.

hints

- **Some recipes, in particular those with a high water content, will not be able to reach a cooking temperature above 100°C (as this is the boiling point of water).**
- When adding ingredients to the bowl during cooking, turn the speed down and add the ingredients slowly and evenly.
- To heat sauces quickly use a continuous stir setting (⌚).
- You may find changing the tool for different processes during your meal preparation gives better results e.g. use the high temperature flexible beater to fry vegetables and then the stirring tool whilst cooking pieces of meat or poultry.
- If using the splashguard during cooking, always remove it before lifting the mixer head. Be aware of condensation formed on the splashguard and heat shield.
- When lifting the mixer head lift it slowly to allow any liquid on the underside of the heat shield to flow back into the bowl.
- Three stir functions are available which enable you to select the appropriate amount of stirring for individual recipes. Some recipes will require constant stirring to stop ingredients from sticking to the bottom of the bowl, whereas others will benefit from intermittent stirring to maintain the consistency of the food.
- For optimum performance adjust the tool heights see page 8.
- The maximum cooking time is 3 hours after which time the mixer will automatically switch off.
- It is possible to heat food without a tool in position, however a speed must be selected. This may be advantageous when melting foods e.g. butter, chocolate.
- Each time the timer/temperature selector button is pressed the display will alternate between displaying the cooking time and the temperature reached at that point.

High speed, high temperature whisk control

To whisk at high speed at temperatures above 60°C, turn the speed control to the desired whisking speed and then press and hold the pulse button. This will be accompanied by a beeping sound and the speed and temperature indicator lights will flash quickly. The whisking speed will slowly increase to the selected speed. Repeat the procedure to increase the speed further. You can reduce the whisking speed or turn off the mixer as normal.

This function MUST only be used with the whisk. You should not exceed the maximum cooking capacity of 3 litres and you must ensure the splashguard is fitted. The machine must not be left unattended.

after cooking

- Be careful when handling or touching any part of the mixer when being used in the cook mode or after cooking, IN PARTICULAR THE BOWL, SPLASHGUARD AND TOOLS as they will remain HOT long after the appliance has been switched off. Use the handles to remove and carry the bowl. Use oven gloves when handling the hot bowl and hot mixing tools.
- The underside of the bowl will remain hot long after the heating has stopped. Use caution when handling and use the work surface protection mat provided to protect heat sensitive surfaces.

display

For your safety the mixer is fitted with 5 separate safety sensors which will operate when using the mixer in the cooking mode. If the mixer is switched on and a safety sensor activated, the timer/temperature display will show an error message e.g. 'E:01'. This will be accompanied by a beeping sound and the mixer will not work. Check the following error messages:-

Error Message	Description	Solution
E:01	The head of the machine is in the raised position. When the head is lifted, a safety sensor disables the motor and heater. If the speed control is turned to any setting other than the Off 'O' position when the head is raised, this message is displayed and the motor will not switch on.	Close the head. Turn the speed control to the 'O' position and then select the desired speed.
E:02	The Cooking Chef Bowl is not fitted. The heating function will only work if the Cooking bowl is being used. This bowl must also be correctly fitted. Safety sensors will detect an incorrect bowl or the correct bowl incorrectly fitted.	Ensure that the Cooking Chef bowl is being used. Check that the bowl is fitted correctly. Turn the speed control to "O" and then select desired speed.
E:03	The heat shield is not fitted. The heating function will be disabled if the heat shield is not correctly fitted.	Ensure the heat shield is fitted correctly. Turn the speed control to 'O' and then select desired speed.
E:04	The slow speed outlet and high speed/medium speed outlet covers are not fitted. These covers are fitted with safety sensors. If the covers are not fitted correctly the heating will switch off and if stir functions are selected, the motor will run continuously. Mixing speeds min to max will run continuously.	Ensure that all covers are fitted correctly. Turn the speed control to 'O' and then select desired speed.
E:09	Temperature sensor problem. If the heater control detects a bowl temperature higher than expected during normal use, the motor and heater will automatically switch off.	Turn the speed control to 'O', unplug the machine and allow to cool. Check that the bowl base and temperature sensors are clean. Replace plug and switch on as normal.
E:10	Motor speed or overheat problem. If the motor stalls or gets too hot, the control system will automatically switch off the motor and heater.	Turn the speed control to 'O' and unplug the machine. Remove any obstructions causing the motor to stall. Ensure all the air vents are clear of obstructions. Plug in and switch on.

If these or any other error codes continue to appear on the display contact Kenwood Customer Care.

to use the countdown timer

The timer can be used in both the cooking and non cooking modes. If a countdown time is not selected, the timer will automatically count up in 1 second intervals whilst the mixer is in operation. The maximum running time is 3 hours.

- 1 Connect the mixer to the power supply. The display will briefly show **88:88.** and then clear leaving the power on indicator visible .
- 2 Press either the + or – button and 0:00 will appear in the display.
- 3 Press either the + or – button until the desired time is displayed. The timer will count up in 5 second intervals. If the button is pressed continuously the numbers will change more quickly the longer it is held down. A maximum time of 3 hours can be set.
Note: If the + button is pressed when the timer is at 3:00 the displayed time will change to 0:00. If the – button is pressed when the timer is at 0:00 the displayed time will change to 3:00.
- 4 Turn the speed control to the desired speed, the mixer will start and the timer will count down in 1 second intervals.
 - The mixer operation can be paused at any time by turning the speed control to the off 'O' position. This will also pause the timer. The timer will continue to count down when the mixer is re-started.
- 5 The mixing process will automatically stop when the total time has elapsed and audible beeps will be emitted for 3 seconds. The display will flash for 5 seconds and then clear showing the power on indicator .

to reset the timer

- 1 Zero the timer by pressing the + and – buttons at the same time (the speed control must be in the off 'O' position).
 - If the machine has been idle for 10 minutes, the LCD display and backlight will enter 'sleep mode' and all the displays will turn off. If any button or control knob is activated, the display will resume its previous format.

maximum capacities

- shortcrust pastry** • Flour weight: 910g - 2lb
- stiff yeast dough** • Flour weight: 1.5kg - 3lb 5oz
- Total weight: 2.4kg - 5lb 5oz
- soft yeast dough** • Flour weight: 2.6kg - 5lb 12oz
- Total weight: 5kg - 11lb
- fruit cake mix** • Total weight: 4.55kg - 10lb
- egg whites** • 16
- cooking mode** • 3 litres

- general hints
- Stop mixing and scrape down the bowl with the spatula frequently.
 - Eggs at room temperature are best for whisking.
 - Before whisking egg whites, make sure there's no grease or egg yolk on the whisk or bowl.
 - Use cold ingredients for pastry unless your recipe says otherwise.

points for bread making

- important
- Never exceed the maximum capacities stated - you'll overload the machine.
 - If you hear the machine labouring, switch off, remove half the dough and do each half separately.
 - The ingredients mix best if you put the liquid in first.

trouble shooting guide when cooking

Problem	Cause	Solution
The mixer will not operate in the heat mode and displays an error message and gives a warning beep.	One of the safety sensors has been activated.	See the table referring to error messages page 12. <ul style="list-style-type: none"> • Ensure the head is lowered and locked. • Ensure all outlet covers are correctly fitted. • Ensure the heat shield is correctly fitted. • Ensure the cooking chef bowl is corrected fitted.
A temperature has been selected but the bowl contents do not heat (the temperature indicator light is not illuminated).	A speed has not been selected.	Select a speed.
The mixer changes speed during cooking.	The speed is automatically limited when the bowl contents reach 60°C.	This is a safety feature.
Food burning on the base of the bowl.	<ol style="list-style-type: none"> 1 The temperature setting selected may be too high. 2 Incorrect tool being used. 3 The stir function is too slow. 4 The tool may not be low enough in the bowl. 5 The timer has been set for too long. 6 The sensor and/or the underside of bowl may not be clean. 	<ol style="list-style-type: none"> 1 Reduce the temperature on the dial or cook at a lower temperature. 2 Check the most suitable tool is being used. 3 Increase the frequency of the stir function or increase to a continuous operation. 4 Adjust the tool. 5 Cook for a shorter length of time (ensure food is thoroughly cooked). 6 Ensure that these areas are kept clean and dry.
Consistency of food not maintained.	<ol style="list-style-type: none"> 1 Temperature selected too high. 2 Stir function too fast. 3 Ingredients cooked for too long. 4 Incorrect tool being used. 	<ol style="list-style-type: none"> 1 Reduce temperature. 2 Reduce stir speed. 3 Reduce the cooking time (ensure food is thoroughly cooked). 4 Check the most suitable tool is being used.
Inconsistent mixing speed.	<ol style="list-style-type: none"> 1 Ingredients too large, hard or too firm. 	<ol style="list-style-type: none"> 1 Cut food into smaller pieces, remove stones from fruit, slowly melt ingredients without a tool in position (but ensure a speed has been selected). 2 Add ingredients after the head is lowered. 3 Check the most suitable tool is being used.
Cold ingredients have been added to a hot mixture but the temperature display does not respond quickly.	If the bowl contents are not thoroughly stirred then there will be varying food temperatures throughout the bowl.	<ol style="list-style-type: none"> 1 Allow time for the ingredients to be thoroughly mixed. 2 Increase the stir speed.
Difficult to shut mixer head with food in bowl.	Firm ingredients such as chocolate in the bottom of the bowl prevent the mixer head from locking down.	Add ingredients after the mixer head is lowered.
Mixer runs continuously when stir (2) or stir (3) are selected.	Outlet covers are incorrectly fitted.	Ensure the outlet covers are correctly fitted.
Motor speed is limited when using attachments	Hot bowl fitted.	Remove the bowl, or cool the bowl to below 60°C.

optional attachments available

To buy an attachment not included in your pack, see service and customer care.

attachment attachment code

flat pasta maker ① AT970A

additional pasta attachments
(not shown) used in conjunction
with AT970A

AT971A tagliatelle

AT972A tagliolini

AT973A trenette

AT974A spaghetti

pasta maker ② AT910 comes with maccheroni rigati die

(12 optional dies plus biscuit maker can be fitted)

roto food cutter ③ AT643 comes with 5 drums

fruit press ④ AT644

multi food grinder ⑤ AT950A comes with a fine, medium and coarse screen,
a small and large sausage nozzle and a kebbe maker

multi food grinder ⑥ AT955 comes with a fine, medium and coarse screen,
a small and large sausage nozzle and a kebbe maker

grain mill ⑦ AT941A

food processor ⑧ AT647 includes 6 cutting discs and a knife blade

pro slicer/grater ⑨ AT340 includes 7 cutting discs

citrus press ⑩ AT312

blender ⑪ 1.5 l acrylic **AT337**, 1.6 l thermo resist glass **AT358**,
1.5 l stainless steel **AT339**

mini chopper/mill ⑫ AT320A comes with 4 glass jars and 4 lids for storage

continuous juicer ⑬ AT641

ice-cream maker ⑭ AT957A

potato peeler ⑮ AT445

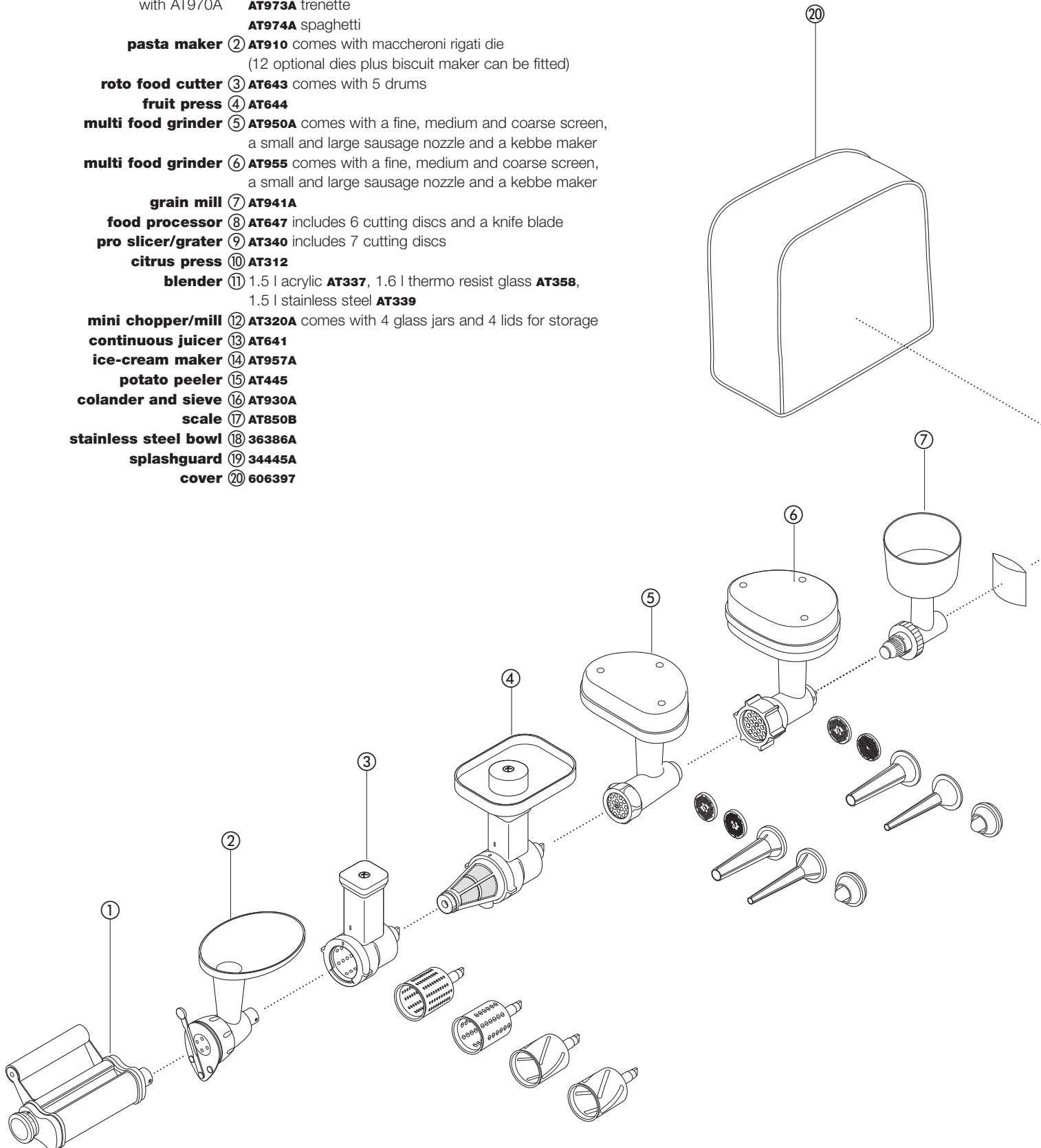
colander and sieve ⑯ AT930A

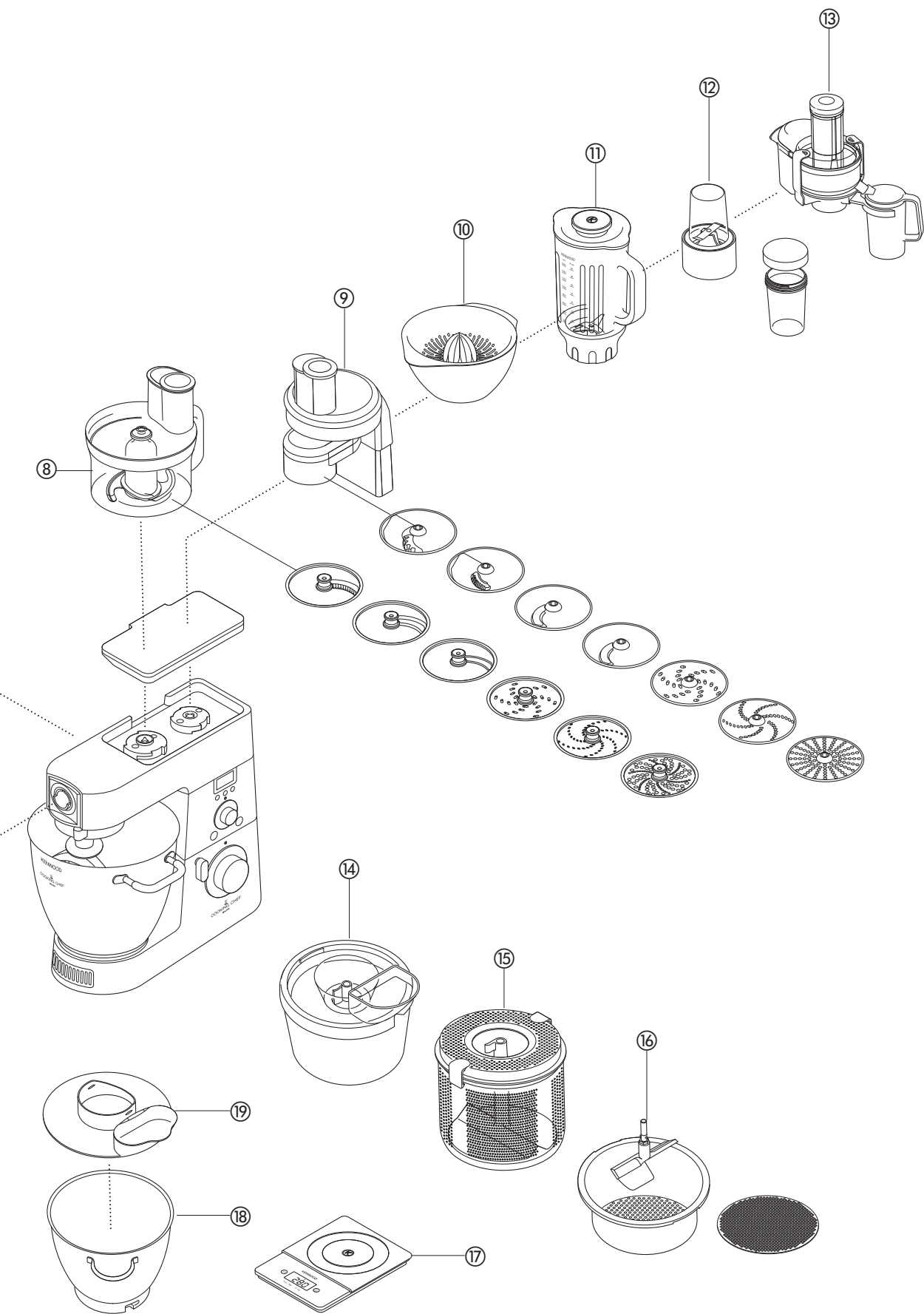
scale ⑰ AT850B

stainless steel bowl ⑱ 36386A

splashguard ⑲ 34445A

cover ⑳ 606397





cleaning and service

care and cleaning

- Always switch off and unplug before cleaning.
- A little grease may appear at **outlet 2** when you first use it. This is normal - just wipe it off.
- The metal surfaces of the temperature sensors may show signs of wear during normal use. this does not affect the performance of the product.
- Do not leave the high temperature flexible beater fitted to the mixer when not in use.

appliance, outlet covers

- Wipe with a damp cloth, then dry.
- Never use abrasives or immerse in water.

high temperature flexible beater

- Always remove the flexible wiper blade from the tool before cleaning.
- Wash the flexible wiper blade and tool in hot soapy water, then dry thoroughly. Alternatively the parts can be washed in a dishwasher.

Note: Please inspect the condition of the tool body before and after use and also regularly inspect the condition of the wiper blade and replace it if there are any signs of wear.

bowl, tools, splashguard

- Wash by hand, then dry thoroughly or wash in the dishwasher.
- Never use a wire brush, steel wool or bleach to clean your stainless steel bowl. Use vinegar or a suitable descaler to remove limescale.
- If food sticks or burns on the inside of the bowl, remove as much as possible using the spatula provided. Fill the bowl with warm soapy water and allow to soak. Remove any stubborn deposits using a nylon brush.
- Any discolouration of the bowl will not affect its performance.

drain hole

- Ensure this area is free from food. If necessary use a pipe cleaner or cotton bud to clean.

temperature sensors

- Wipe with a damp cloth then dry thoroughly. Never use abrasives or sharp instruments to clean the sensors.

service and customer care

- If the cord is damaged it must, for safety reasons, be replaced by KENWOOD or an authorised KENWOOD repairer.

If you need help with:

- using your machine
 - servicing or repairs
- Contact the shop where you bought your machine.

- Designed and engineered by Kenwood in the UK.
- Made in China.

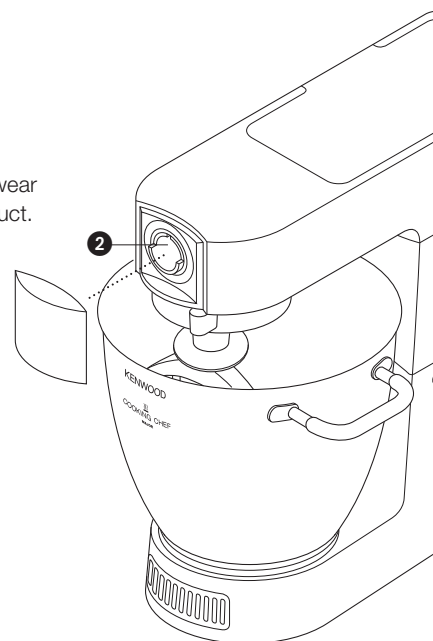


IMPORTANT INFORMATION FOR CORRECT DISPOSAL OF THE PRODUCT IN ACCORDANCE WITH EC DIRECTIVE 2002/96/EC.

At the end of its working life, the product must not be disposed of as urban waste.

It must be taken to a special local authority differentiated waste collection centre or to a dealer providing this service.

Disposing of a household appliance separately avoids possible negative consequences for the environment and health deriving from inappropriate disposal and enables the constituent materials to be recovered to obtain significant savings in energy and resources. As a reminder of the need to dispose of household appliances separately, the product is marked with a crossed-out wheeled dustbin.



recipes

See important points for bread making on page 13.

white bread *stiff yeast dough*

- ingredients
- 1.36kg (3lb) strong plain flour
 - 15ml (3tsp) salt
 - 25g (1oz) fresh yeast; or 15g/20ml (½oz) dried yeast + 5ml (1tsp) sugar
 - 750ml (1¼pts) warm water: 43°C (110°F). Use a thermometer or add 250ml (9fl oz) boiling water to 500ml (18fl oz) cold water
 - 25g (1oz) lard
- method
- 1 **dried yeast** (the type that needs reconstituting): pour the warm water into the bowl. Then add the yeast and the sugar and leave to stand for about 10 minutes until frothy.
fresh yeast: crumble into the flour.
other types of yeast: follow the manufacturer's instructions.
 - 2 Pour the liquid into the bowl. Then add the flour (with fresh yeast if used), salt and lard.
 - 3 Knead at minimum speed for 45 - 60 seconds. Then increase to speed 1, adding more flour if necessary, until a dough has formed.
 - 4 Knead for 3 - 4 more minutes at speed 1 until the dough is smooth, elastic and leaves the sides of the bowl clean.
 - 5 Put the dough into a greased polythene bag or a bowl covered with a tea towel. Then leave somewhere warm until doubled in size.
 - 6 Re-knead for 2 minutes at speed 1.
 - 7 Half fill four 450g (1lb) greased tins with the dough, or shape it into rolls. Then cover with a tea towel and leave somewhere warm until doubled in size.
 - 8 Bake at 230°C/450°F/Gas Mark 8 for 30 - 35 minutes *for loaves* or 10 - 15 minutes *for rolls*.
 - When ready, the bread should sound hollow when tapped on the base.

white bread *soft yeast dough*

- 2.6kg (5lb 12oz) ordinary plain flour
 - 1.3 litre (2¼pts) milk
 - 300g (10oz) sugar
 - 450g (1lb) margarine
 - 100g (4oz) fresh yeast or 50g (2oz) dried yeast
 - 6 eggs, beaten
 - 5 pinches salt
- method
- 1 Melt the margarine in the milk and bring to 43°C (110°F).
 - 2 **dried yeast** (the type that needs reconstituting): add the yeast and sugar to the milk and leave to stand for about 10 minutes until frothy.
fresh yeast: crumble into the flour and add the sugar.
other types of yeast: follow the manufacturer's instructions.
 - 3 Pour the milk into the bowl. Add the beaten eggs and 2kg (4lb 6oz) flour.
 - 4 Mix at minimum speed for 1 minute, then at speed 1 for a further minute. Scrape down.
 - 5 Add the remaining flour and mix at minimum speed for 1 minute, then at speed 1 for 2 - 3 minutes until smooth and evenly mixed.
 - 6 Half fill some 450g (1lb) greased tins with the dough, or shape it into rolls. Then cover with a tea towel and leave somewhere warm until doubled in size.
 - 7 Bake at 200°C/400°F/Gas Mark 6 for 20 - 25 minutes *for loaves* or 15 minutes *for rolls*.
 - 8 When ready, the bread should sound hollow when tapped on the base.
 - Makes about 10 loaves.

recipes *continued*

strawberry and apricot gâteau

- ingredients: sponge
- 3 eggs
 - 75g (3oz) caster sugar
 - 75g (3oz) plain flour
- filling and decoration
- 150ml (¼pt) double cream
 - Sugar to taste
 - 225g (8oz) strawberries
 - 225g (8oz) apricots
- method
- 1 Halve the apricots and remove the stones. Cook gently in very little water, adding sugar to taste, until soft.
 - 2 Wash and halve the strawberries.
 - 3 To make the sponge, whisk the eggs and sugar at maximum speed until very pale and thick.
 - 4 Remove the bowl and the whisk. Fold in the flour by hand using a large metal spoon - do this carefully to keep the sponge light.
 - 5 Put the mixture into two 18cm (7") greased and lined sandwich tins.
 - 6 Bake at 180°C/350°F/Gas Mark 4 for about 20 minutes until the cake springs back when lightly touched.
 - 7 Turn out onto a wire rack.
 - 8 Whisk the cream at maximum speed until stiff. Add sugar to taste.
 - 9 Roughly chop the apricots and a third of the strawberries. Fold them into half the cream.
 - 10 Spread this over one of the sponges, then put the other sponge on top.
 - 11 Spread the remaining cream on top and decorate with the remaining strawberries.

meringues

- 4 egg whites
- ingredients
- 250g (9oz) icing sugar, sieved
 - Line your baking tray with non-stick baking parchment.
- method
- 1 Whisk the egg whites and sugar at maximum speed for about 10 minutes until it stands in peaks.
 - 2 Spoon the mixture onto the baking tray (or use a piping bag with a 2.5cm (1") star nozzle).
 - 3 Bake at 110°C/225°F/Gas Mark ¼ for about 4 - 5 hours until firm and crisp. If they start to brown, leave the oven door slightly ajar.
- Store meringues in an airtight tin.

shortcrust pastry

- ingredients
- 450g (1lb) flour, sieved with the salt
 - 5ml (1tsp) salt
 - 225g (8oz) fat (mix lard and margarine straight from the fridge)
 - About 80ml (4tbsp) water
- hint
- Don't overmix
- method
- 1 Put the flour into the bowl. Chop the fat up roughly and add to the flour.
 - 2 Using the stainless steel K beater mix at speed 1 until it resembles breadcrumbs.
 - 3 Stop before it looks greasy.
 - 4 Add the water and mix at minimum speed. Stop as soon as the water is incorporated.
- Cook at around 200°C/400°F/Gas Mark 6, depending on the filling.

chilli marinade

- Ingredients
- 200g (7oz) cold clear honey (refrigerated overnight)
 - 1 green chilli (whole)
 - 5ml (1 tsp) crunchy peanut butter
 - seasoning
- method
- 1 Place all the ingredients into the mini chopper/mill.
 - 2 Fit the attachment to the mixer and allow the ingredients to settle around the blade.
 - 3 Switch to pulse for 10 seconds.
 - 4 Use as required.

Notes

Nederlands

voordat u uw Kenwood-apparaat gebruikt:

- **Lees deze instructies zorgvuldig door en bewaar ze voor toekomstig gebruik.**
- Verwijder alle verpakking en labels.

ken uw Kenwood Cooking Chef keukenmachine

veiligheid

belangrijke mededeling – elektronisch-medische implantaten

- Net als andere inductieverwarmingsproducten genereert dit apparaat magnetische velden met beperkt bereik. Gebruikers of andere personen met een pacemaker of ander actief implantaat dienen voor gebruik een arts te raadplegen over eventuele incompatibiliteit, zodat eventueel gevaar voor de gezondheid kan worden voorkomen.
- Schakel het apparaat uit en haal de stekker uit het stopcontact voordat u hulpstukken installeert of verwijdert, na het gebruik en voordat u het apparaat reinigt.
- Houd lichaamsdelen, sieraden en loszittende kleding uit de buurt van bewegende delen en geïnstalleerde hulpstukken.
- Steek uw vingers, enz. nooit in het scharniermechanisme.
- Laat het apparaat nooit onbeheerd aanstaan.
- Gebruik nooit een beschadigd apparaat. Laat het nakijken of repareren: zie 'onderhoud en klantenservice' op pagina 34.
- Gebruik nooit een ongeautoriseerd hulpstuk of meer dan één hulpstuk tegelijkertijd.
- Overschrijdt de maximum capaciteit (zie pagina 30) niet en vul het apparaat bij gebruik van de inductieverwarming nooit meer dan het maximum vulniveau van 3 liter dat aan de binnenkant van de kom wordt aangegeven.
- Lees bij het gebruik van een hulpstuk de veiligheids- en gebruiksinformatie die erbij wordt geleverd.
- Wees voorzichtig wanneer u dit apparaat optilt, omdat het zwaar is. Zorg dat de kop vergrendeld is en dat de kom, hulpstukken, afdekking van de aansluitpunten en het snoer vastzitten voordat u het apparaat optilt.
- Laat het snoer nooit naar beneden hangen waar een kind erbij kan.
- Laat de motor, het snoer of de stekker nooit nat worden.
- Wees voorzichtig als u enig deel van het apparaat vastpakt of aanraakt terwijl het in de kookmodus wordt gebruikt en na het koken. DIT GELDT MET NAME VOOR DE KOM, HET SPATDEKSEL EN DE HULPSTUKKEN omdat deze nog lange tijd nadat het apparaat is uitgeschakeld HEET blijven. Gebruik de handgrepen om de kom te verwijderen en te dragen. Gebruik ovenhandschoenen om de hete kom en menghulpstukken aan te pakken.
- De onderkant van de kom blijft nog lange tijd nadat de verwarming is uitgeschakeld heet. Wees voorzichtig als u de kom vastpakt en gebruik de beschermmat voor het werkoppervlak als u de kom op een warmtegevoelige ondergrond plaatst.
- Pas op voor stoom die uit de mengkom kan komen, met name als u het deksel van het spatdeksel verwijdert of de mixerkop omhoog zet.
- Als heet voedsel van de mixer wordt overgebracht naar de blender, laat u de ingrediënten tot kamertemperatuur afkoelen voor u ze in de blender plaatst.
- Gebruik alleen de kom en hulpstukken die bij dit apparaat worden geleverd. Gebruik de kom met geen enkele andere hittebron.
- Laat het apparaat nooit werken in de kookmodus als de kom leeg is.
- Steek nooit iets in de ventilatiegaten.
- Zorg dat dit apparaat tijdens het gebruik niet te dicht bij de rand en op een vlakke ondergrond staat. Zorg dat het ten minste 10 cm verwijderd is van de muur en dat de ventilatiegaten niet worden geblokkeerd. Plaats het apparaat niet onder overhangende keukenkastjes.
- Voor een juiste en veilige werking van de inductiekoker dient u ervoor te zorgen dat de kombasis en temperatuursensors schoon en droog zijn voordat u gaat koken.
- Net als voor andere inductieverwarmende apparaten geldt dat u geen creditcards, magnetische media of gevoelige elektronische apparatuur in de buurt van het apparaat mag plaatsen wanneer dit in gebruik is.
- Gebruik het apparaat niet om te frituren.
- Zorg dat het voedsel voldoende gekookt is voordat u gaat eten.
- Voedsel dient kort na bereiding te worden gegeten of moet snel worden afgekoeld en zo snel mogelijk in de koelkast worden bewaard.
- Dit apparaat is niet bedoeld voor gebruik door personen (inclusief kinderen) met verminderde lichamelijke, zintuiglijke of geestelijke vermogens of gebrek aan ervaring en kennis, tenzij ze toezicht of instructies over het gebruik van het apparaat hebben gekregen van de persoon die verantwoordelijk is voor hun veiligheid.
- Op kinderen moet toezicht gehouden worden om er zeker van te zijn dat ze niet met het apparaat spelen.
- Gebruik het apparaat alleen voor het huishoudelijke gebruik waarvoor het is bedoeld. Kenwood kan niet aansprakelijk worden gesteld in het geval dat het apparaat niet correct is gebruikt, of waar deze instructies niet worden opgevolgd.

vóór u de stekker in het stopcontact steekt

- Zorg dat de elektriciteitsvoorziening dezelfde spanning heeft als op de onderkant van het apparaat wordt aangegeven.
- Dit apparaat voldoet aan de EC-richtlijn 2004/108/EC betreffende de elektromagnetische compatibiliteit en EC-bepaling 1935/2004 van 27/10/2004 betreffende materialen die bestemd zijn voor contact met voedsel.

vóór het eerste gebruik

Was de onderdelen: zie 'onderhoud en reiniging' op pagina 34.

inleiding

Hartelijk dank voor uw aankoop van deze Kenwood Cooking Chef keukenmachine. We hopen dat u er vele jaren van kunt genieten.

Kenwood heeft bijna 60 jaar ervaring en expertise met de ontwikkeling van onze keukenmachines en het grote aantal verschillende hulpstukken. Kenwood Chef keukenmachines staan erom bekend meer te zijn dan een mixer.

Bij de ontwikkeling van de Cooking Chef hebben we de veelzijdigheid van de Chef verder uitgebreid door een geïntegreerde inductieverwarming direct onder de mengkom te installeren. U kunt bij de bereiding van uw favoriete cakes, gebak en deeg nu genieten van alle voordelen van de planetaire mengbeweging en u hebt het extra voordeel dat u de ingrediënten in de kom direct met de planetaire mengbeweging kunt verwarmen en koken. De mogelijkheden zijn eindeloos.

De Kenwood Cooking Chef kan met zijn scala aan optionele hulpstukken een volledig voedselbereidingsstelsel worden genoemd.

Sterk, betrouwbaar, veelzijdig, Kenwood.

Wat is inductiekoken en hoe werkt het?

Inductiekoken is een geavanceerde kookmethode die gebruik maakt van de beginselen van elektromagnetische inductie. Als elektrische stroom door een koperen spoel gaat, ontstaat een elektromagnetisch veld in het inductiegebied. Als de kom van de Cooking Chef op zijn plaats is vergrendeld, wordt het circuit gesloten door een speciale roestvrij stalen laag in de bodem van de kom. Hierdoor wordt een grote hoeveelheid thermische energie gecreëerd die door de inhoud van de kom wordt geleid en het voedsel verhit.

Inductiekoken bespaart enorm veel energie omdat het alleen warmte produceert in de kombodem. Bij andere verwarmingsmethoden zoals gaspitten wordt bijna 50% van de warmte-energie verspild aan de zijanten van de pan. Het inductiegebied van uw Cooking Chef voelt inderdaad alleen heet aan tijdens en onmiddellijk na het koken omdat de warmte overgebracht wordt naar de inhoud van de kom. Dit alles betekent dat inductiekoken erg efficiënt, erg veilig en erg schoon is.

De kookfunctie op uw Kenwood Cooking Chef lijkt sterk op het gebruik van een steelpan op uw kookplaat. Het bijkomende voordeel is dat de Chef uw voedsel automatisch roert en de kooktemperatuur regelt naar uw precieze eisen, waardoor u zonder zorgen andere taken in uw keuken kunt uitvoeren.

De Cooking Chef maakt gebruik van uiterst efficiënte inductieverwarmingstechnologie. U zult zien dat de kooktijden vergeleken met koken op gas of elektrisch korter zijn en dat u bij een lagere temperatuur kunt koken. Houd dit in gedachten als u uw apparaat voor de eerste keer gebruikt of als u experimenteert met een nieuw recept. Zorg dat als u bij een hoge temperatuur begint te koken, u blijft kijken en de hitte zo nodig verlaagt om te voorkomen dat het voedsel aanbrandt of aankeekt, net als u zou doen met uw steelpan. De Cooking Chef verwarmt het voedsel in het algemeen zo snel mogelijk tot de gewenste temperatuur. U hoeft de temperatuur daarom niet hoger in te stellen om de kooktijd te verkorten. In deze fase moet u ook aandacht schenken aan de instelling voor de roerfrequentie. Als u bij een hogere temperatuur kookt, kan het nodig zijn voortdurend te blijven roeren met behulp van de roerfunctie (1). De roerinstellingen (2) en (3) zijn een goed hulpmiddel om de textuur van uw voedsel in stand te houden als u het voedsel gedurende langere tijd laag laat pruttelen.

In deze fase is de keuze van het juiste hulpstuk ook belangrijk. Het meest geschikte gebruik van ieder hulpstuk wordt later in dit boek behandeld en de ervaring leert welk hulpstuk het best voor iedere taak kan worden gebruikt. U zult zien dat de flexibele klopper voor hoge temperaturen het best kan worden gebruikt om gladde sauzen en crèmes te maken, terwijl het roerhulpstuk beter kan worden gebruikt bij de bereiding van voedsel dat een vastere structuur moet houden, zoals stoofschotels, eenpansgerechten, ragout, enz. Ons receptenboek geeft aan welk hulpstuk het best voor ieder recept kan worden gebruikt en u zult zien dat het gebruik van verschillende hulpstukken voor verschillende bereidingsprocessen tijdens uw maaltijdbereiding tot betere resultaten leidt.

Tijdens en onmiddellijk na het koken zijn de kom, het spatdeksel en het hulpstuk heet, net als uw steelpan zou zijn. Pas op als u een van deze onderdelen aanraakt. Vergeet niet dat het kookproces stoom en condensatie genereert; pas op als u in de kom kijkt, het deksel van de vulopening optilt of de kop van de Cooking Chef-machine omhoog zet om in de kom te kijken of toegang wilt hebben tot de kom. Waarschuw anderen als de machine werkt of heet is zodat zij zich niet branden. We raden u aan ovenhandschoenen te gebruiken als u hete onderdelen aanraakt of verwijdert en de handgrepen te gebruiken om de kom te dragen. De beschermingsmat voor het werkoppervlak kan warmtegevoelige oppervlakken beschermen.

Als vloeistoffen of voedsel met een hoog watergehalte worden verhit, is de temperatuuraflezing gewoonlijk nauwkeurig binnen +/- 5 °C. De nauwkeurigheid van de temperatuurweergave en -regeling is afhankelijk van de textuur van de kominhoud, de volume van de kominhoud, de frequentie waarmee wordt geroerd en het gebruikte hulpstuk. Dit lijkt opnieuw op het koken op een kookplaat wanneer een grote hoeveelheid voedsel in een grote steelpan wordt verhit, maar niet goed wordt geroerd. Het voedsel onderin de steelpan is heet, of zelfs aangebrand, terwijl het voedsel bovenin de pan aanzienlijk kouder is.

Naast de temperatuurweergave heeft de machine een kleine blauwe LED. Deze LED knippert tot de machine de geselecteerde temperatuur heeft bereikt. Als de gewenste temperatuur is bereikt, houdt het lampje op met knipperen. Merk op dat als u meer ingrediënten aan de kom toevoegt, de blauwe LED opnieuw begint te knipperen omdat de temperatuur van de kominhoud door de koude ingrediënten wordt afgekoeld. U ziet misschien ook dat het continu brandende lampje begint te knipperen als de mengfrequentie wordt verhoogd.

U zult snel merken dat uw Kenwood Cooking Chef gemakkelijk in het gebruik is en uw dagelijkse voedselbereiding vergemakkelijkt.

ken uw Kenwood Cooking Chef

aansluitpunten voor hulpstukken ❶ hoge snelheidsaansluitpunt

❷ medium snelheidsaansluitpunt

❸ lage snelheidsaansluitpunt

❹ fitting voor hulpstukken

de mixer ❺ afdekking medium/hoog snelheidsaansluitpunt

❻ mixerkop

❼ afdekking lage snelheidsaansluitpunt

❽ hendel lage snelheidsaansluitpunt

❾ kom van cooking chef

❿ kop - hefhendel

⓫ snelheidsknop

⓬ ventilatiegaten

⓭ kombasis/inductiegebied

⓮ drainopening

⓯ temperatuursensors

⓰ roestvrij stalen K-klopper

⓱ flexibele klopper voor hoge temperatuur

⓲ garde

⓳ deeghaak

⓴ roerhulpstuk

⓵ spatel voor hoge temperatuur

⓶ hittescherm

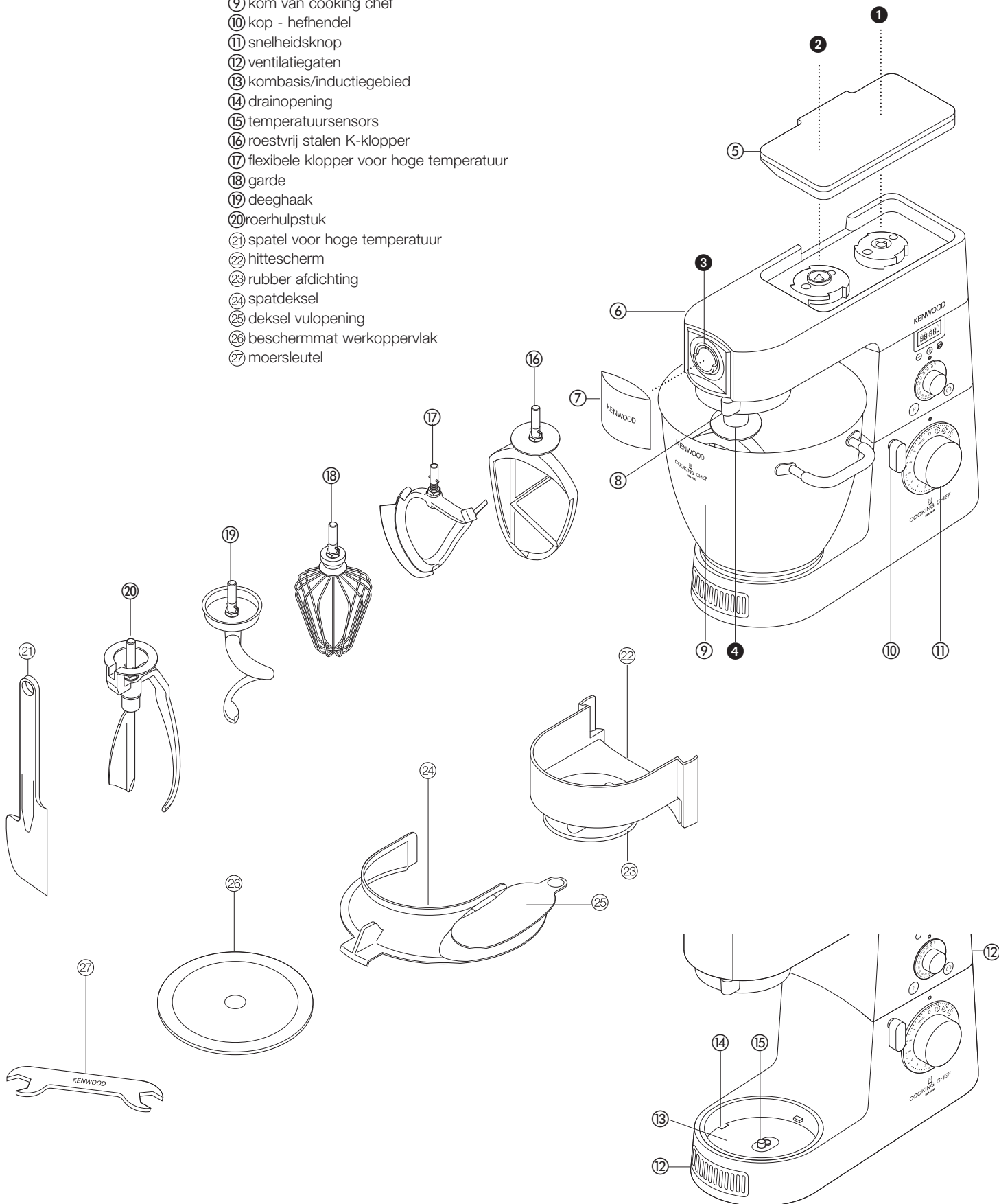
⓷ rubber afdichting

⓸ spatdeksel

⓹ deksel vulopening

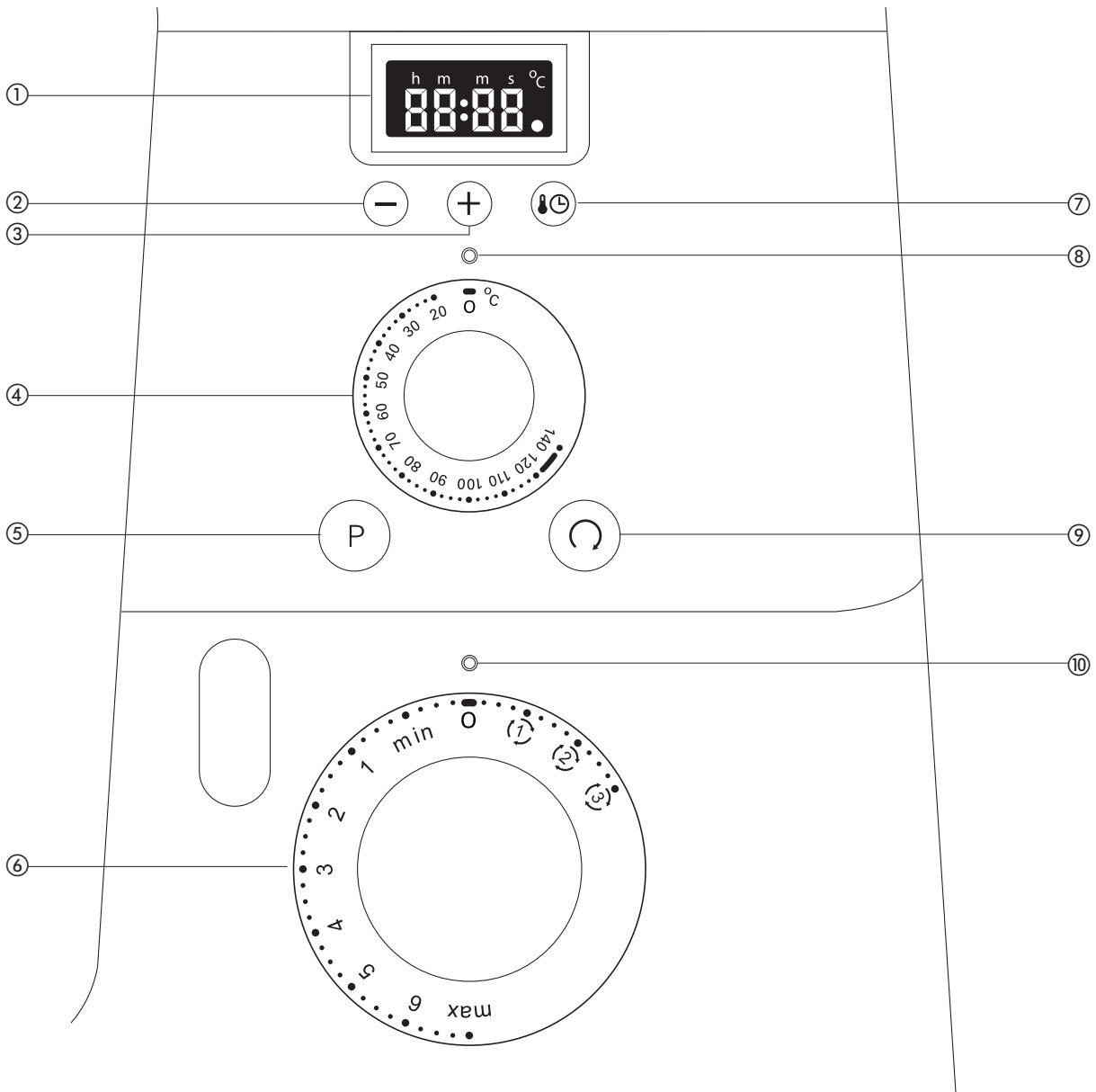
⓺ beschermmat werkoppervlak

⓻ moersleutel



bedieningspaneel

- ① timer/temperatuurdisplay
- ② timer knop omlaag
- ③ timer knop omhoog
- ④ temperatuurregeling
- ⑤ pulseerknop/hoge snelheid, hoge temperatuur gardetoets
- ⑥ snelheidsknop
- ⑦ timer/temperatuurselectietoets
- ⑧ temperatuurlampje
- ⑨ vouwtoets
- ⑩ indicatielampje snelheidsknop



de hoogte van de hulpstukken aanpassen

Zie pagina 26 voor informatie over de montage van de mixer.

garde, roestvrij stalen K-klopper, roerhulpstuk

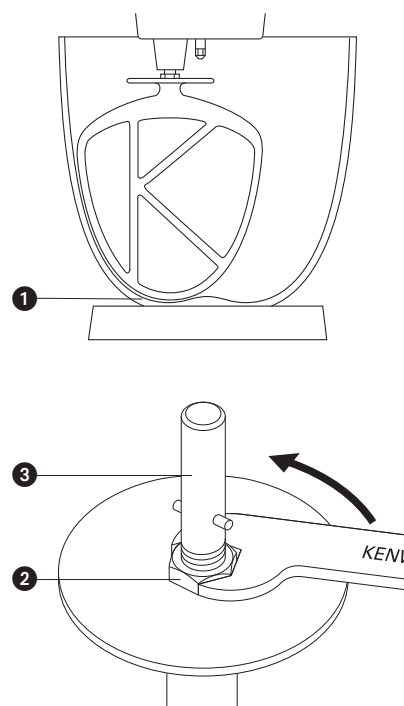
Voor de beste prestaties moeten de garde, K-klopper en het roerhulpstuk de bodem van de kom **bijna** aanraken ❶. U kunt de hoogte zo nodig met de meegeleverde moersleutel bijstellen.

Ga als volgt te werk:

- 1 Haal de stekker uit het stopcontact.
- 2 Zet de mixerkop omhoog en bevestig de garde, de klopper of het roerhulpstuk.
- 3 Laat de kop weer zakken. Als de tussenruimte moet worden aangepast, laat u de kop van de mixer omhoog komen en verwijder u het hulpstuk.
- 4 Gebruik de meegeleverde sleutel om de moer ❷ voldoende los te draaien en de steel bij te stellen ❸. Om het hulpstuk dicht bij de bodem van de kom te krijgen, draait u de steel naar links. Om het hulpstuk verder van de bodem van de kom te verwijderen, draait u de steel naar rechts.
- 5 Draai de moer weer vast.
- 6 Zet het hulpstuk in de mixer en laat de mixerkop zakken. (Controleer de positie, zie bovenstaande punten).
- 7 Herhaal zo nodig de bovengenoemde stappen tot het hulpstuk zich in de juiste positie bevindt. Vervolgens draait u de moer goed vast.

flexibele klopper voor hoge temperaturen – dit hulpstuk moet de bodem van de kom net aanraken.

deeghaak – dit hulpstuk is in de fabriek ingesteld en hoeft verder niet te worden aangepast.

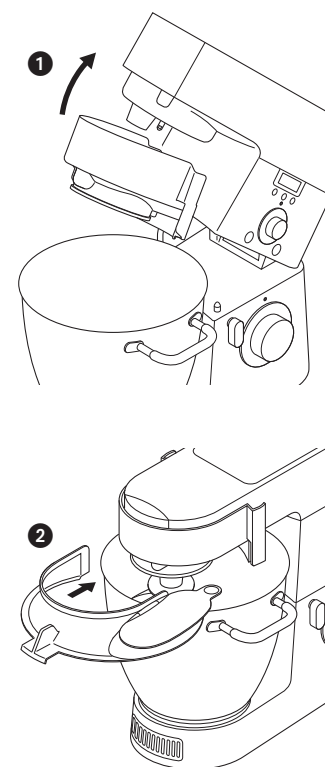


het spatdeksel/hitteschermbestanden op het apparaat bevestigen en gebruiken

Het spatdeksel bestaat uit 2 delen: het hitteschermbestanden en het spatdeksel.

Het hitteschermbestanden moet tijdens het koken worden bevestigd omdat de mixer anders niet werkt en foutcode E:03 wordt weergegeven. Het hitteschermbestanden dient om de mixerkop te beschermen tegen de stoom die tijdens het kookproces wordt geproduceerd. Het hitteschermbestanden en het spatdeksel kunnen zo nodig worden bevestigd om de ingrediënten in de kom te houden, bijvoorbeeld als lichte ingrediënten zoals bloem en poedersuiker worden verwerkt, of wanneer ingrediënten worden gekookt waarbij de vloeistof in de kom moet blijven. Het spatdeksel mag alleen in combinatie met het hitteschermbestanden op de kom worden bevestigd.

- 1 Til de mixerkop op tot hij is vergrendeld.
 - 2 Duw het hitteschermbestanden op de onderkant van de mixerkop ❶ tot hij goed vastzit. Het hitteschermbestanden mag nooit worden gebruikt zonder dat de rubberafdichting goed is bevestigd.
 - 3 Zet de kom op de basis.
 - 4 Laat de kop weer zakken.
 - 5 Zet het spatdeksel op de komrand en schuif hem vervolgens naar voren tot hij volledig is geplaatst ❷.
- Tijdens het mixen kunnen ingrediënten via de vulopening rechtstreeks aan de kom worden toegevoegd.
- 6 Om het spatdeksel te verwijderen, schuift u hem van het apparaat af.
 - 7 Om het hitteschermbestanden te verwijderen, tilt u de mixerkop op tot hij is vergrendeld. Verwijder het hulpstuk en trek het hitteschermbestanden vervolgens van de onderkant van de mixerkop naar onderen.
- NB: Bevestig en verwijder het spatdeksel alleen als de mixerkop vergrendeld is.



de mixer

de hulpstukken van de mixer en enkele gebruiksmogelijkheden

- K-klopper • Voor het maken van cakes, biscuits, gebak, galzuur, vullingen, soezen en aardappelpuree.
- garde • Voor eieren, room, beslag, vetvrij biscuitdeeg, schuimgebak, kwarktaart, mousse en soufflé. Gebruik de garde niet voor zware mengsels (bv. voor het kloppen van boter en suiker) – de garde kan hierdoor worden beschadigd.
- deeghaak • Alleen voor gistmengsels.
- flexibele klopper voor hoge temperatuur • Geschikt voor veel kookbewerkingen, met name voor de bereiding van pudding, roereieren en sauzen. Ideaal om warme en koude mengsels tijdens het mixen van de zijanten van de kom te schrapen. Ook geschikt om groenten te bakken.
- roerhulpstuk • Geschikt voor gebruik tijdens het koken om de textuur van het voedsel, zoals kip, vis, groenten en fruit in stand te houden.

het gebruik van uw mixer

Zorg dat de temperatuur- en snelheidsknopen vóór gebruik in de uitstand staan ('O').

- 1 Draai de hefhandel voor de kop naar rechts ① en til de kop van de mixer op tot hij vergrendeld is.
 - 2 Steek het hulpstuk in de fitting, waarbij u de pin op de steel in de groef zet en draai het hulpstuk om het in positie te vergrendelen ②.
 - 3 Zet de kom op de basis – druk hem naar beneden en draai naar rechts ④.
 - 4 Om de mixerkop te laten zakken, tilt u hem enigszins op en draait de hefhandel vervolgens naar rechts. Laat hem in de vergrendelde positie zakken.
- Een hulpstuk verwijderen • Voer stap 2 in omgekeerde volgorde uit. (Gebruik altijd ovenhandschoenen om de hulpstukken na het koken te verwijderen).
- 5 Steek de stekker van de mixer in het stopcontact. De lampjes van de snelheid- en temperatuurindicator gaan kort branden. De display geeft **88:88** weer en is daarna leeg; alleen het indicatielampje voor Aan/uit blijft branden .
 - 6 Draai de snelheidsknop naar de gewenste instelling (zie pagina 27 voor aanbevelingen), de mixer begint te werken en het lampje van de snelheidtoets gaat knipperen. De timer laat de tijd zien in intervallen van 1 seconde. De snelheid kan op ieder gewenst moment terwijl de mixer aanstaat, worden gewijzigd.
 - 7 Stop de mixer door de snelheidsknop tot de uitstand 'O' te draaien.

Belangrijk – Als de mixerkop op enig moment opgetild wordt terwijl hij in bedrijf is, stopt de mixer automatisch en geeft een pieptoon; hij gaat niet opnieuw werken wanneer de kop weer omlaag wordt gebracht. Om de mixer opnieuw op te starten, draait u de knop naar de uitstand ('O') en selecteert de snelheid opnieuw.

pulseerknop

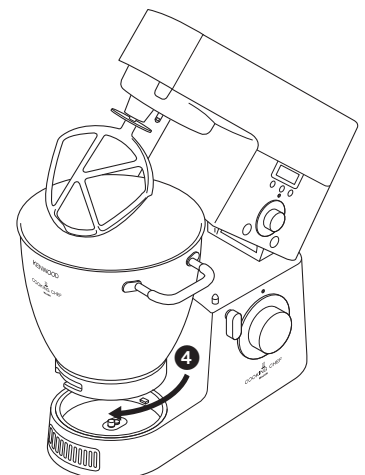
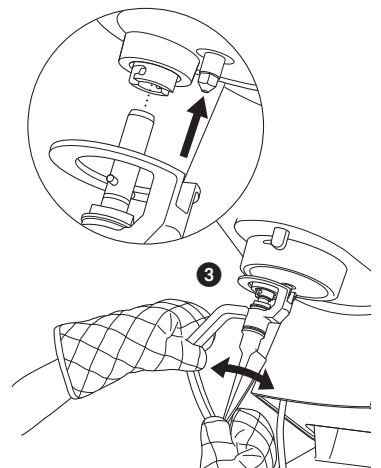
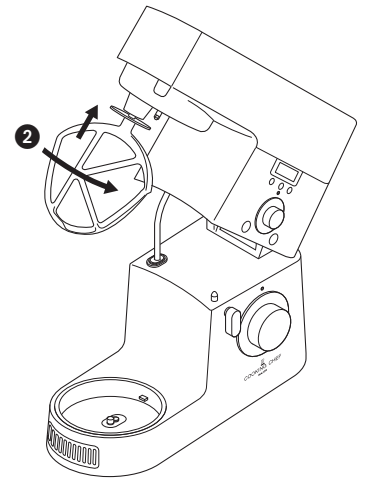
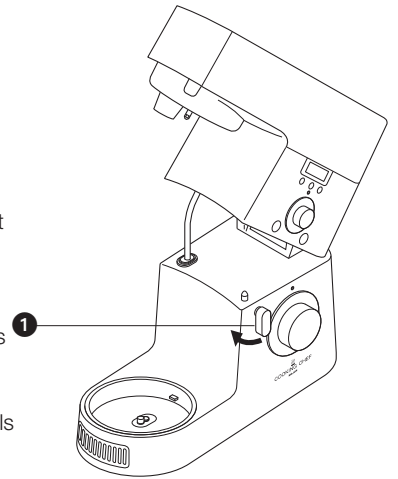
De pulseerknop kan alleen worden gebruikt als de snelheidsknop uit staat ('O').

Om pulseren te selecteren, drukt u op de pulseerknop **P** en de mixer draait op maximum snelheid zo lang de knop in deze stand wordt gehouden. Als de inhoud van de kom warmer is dan 60 °C, neemt de snelheid geleidelijk toe. Er klinkt er een pieptoon en de snelheids- en temperatuurindicatorlampjes gaan snel knipperen.

vouwtoets

Druk de vouwtoets in en laat hem los **Ω** en de mixer werkt gedurende 2-3 omwentelingen automatisch op de minimumsnelheid, waarna hij stopt. De toets kan langer worden ingedrukt voor een langere werking of kan herhaaldelijk worden ingedrukt om ingrediënten te combineren.

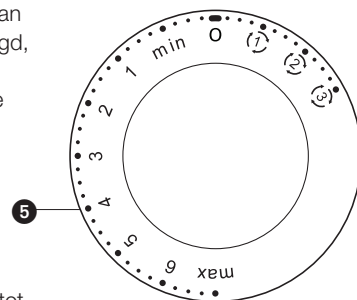
NB: Als de vouwtoets wordt ingedrukt terwijl de motor draait, wordt de standaard vouwfunctie uitgevoerd en keert het apparaat terug naar de geselecteerde snelheid.



snelheidsknop ⑤

De volgende snelheden zijn slechts richtlijnen; de snelheid is afhankelijk van de hoeveelheid voedsel in de kom en de ingrediënten die worden gemengd, enz.

Draai de snelheidsknop naar rechts om de snelheid van 'min' tot 'max' te veranderen.



K-klopper • **vet en suiker kloppen** begin op min en schakel geleidelijk over naar max.

• **eieren tot een roomachtig mengsel kloppen** 4 - max.

• **bloem, fruit enz invouwen** min - 1

• **kant-en-klaar cakes** begin op min en verhoog de snelheid geleidelijk tot max.

• **vet in bloem wrijven** min - 2.

flexibele klopper voor hoge temperatuur • **vet en suiker kloppen** begin op min en snelheid geleidelijk verhogen tot 3.

• **hete en koude mengsels van de zijkant van de kom schrapen** begin op min en snelheid geleidelijk verhogen tot 3.

• **groenten bakken, risotto en polenta roeren, enz.** gebruik (1).

garde • Snelheid geleidelijk verhogen tot max.

deeghaak • Begin op min en verhoog de snelheid geleidelijk tot 1.

roerhulpstuk • Alleen met roerinstellingen (1), (2) en (3) gebruiken.

roerinstellingen

Om de roerinstellingen te selecteren, draait u de snelheidsknop naar links. De roerinstellingen kunnen het best worden gebruikt als de mixer in kookmodus wordt gebruikt. Om de roerinstellingen te gebruiken, moeten alle afdekkingen van de aansluitpunten zijn aangebracht.

(1) – gebruik deze instelling als een constante lage snelheid nodig is, bijv om een saus te roeren.

(2) – Als de snelheidsknop in deze positie wordt ingesteld, werkt de mixer afwisselend iedere 5 seconden gedurende 2 omwentelingen op een lage snelheid.

(3) – Als de snelheidsknop in deze positie wordt ingesteld, werkt de mixer afwisselend iedere 30 seconden op een lage snelheid voor het omroeren van stoofschotels, enz.

Draai de snelheidsknop naar de uitstand ('0') om de mixer te stoppen.

NB:

- Wanneer een snelheid wordt geselecteerd, knippert het indicatorlampje.
- Als het apparaat in gebruik is, kunt u een hoge toon horen. Dit is normaal.

de mixer gebruiken om voedsel te koken

BELANGRIJK

- Zorg dat het inductiegebied, de temperatuursensors en het externe oppervlak van de kombodem schoon zijn. Als dit niet gebeurt, wordt de temperatuursensor beïnvloed en krijgt u een slecht kookresultaat.
- Controleer of alle afdekkingen van de aansluitpunten, met inbegrip van het hittescherm, zijn aangebracht. Als ze niet juist zijn aangebracht, werkt de verwarmingsfunctie niet.
- Gebruik altijd ovenhandschoenen om de kom en hulpstukken na het koken te verwijderen.

1 Zet de mixer volgens de instructies op pagina 26 in elkaar.

2 Draai de temperatuurknop tot de gewenste temperatuur.

• **Het apparaat verwarmt pas als een snelheid is geselecteerd.**

3 Draai de snelheidsknop tot de gewenste snelheid; hierdoor worden de motor en de verwarming ingeschakeld. Beide lampjes gaan knipperen.

4 Zodra de ingestelde temperatuur is bereikt, blijft het indicatielampje voor de temperatuur branden. Tijdens het koken begint het lampje te knipperen als de temperatuur verandert; hiermee wordt aangegeven dat de mixer probeert de ingestelde temperatuur te handhaven (lees de inleiding op pagina 21).

• Als de komtemperatuur hoger is dan 60 °C wordt de snelheid om veiligheidsredenen automatisch beperkt, zelfs als een hogere snelheid geselecteerd is. De snelheid neemt niet automatisch toe als de temperatuur onder 60 °C zakt. Eerst moet de snelheidsknop worden uitgeschakeld en moet de gewenste snelheid worden geselecteerd.

- NB: Telkens wanneer op de timer/temperatuurselectieknop wordt gedrukt, worden afwisselend de timer en de temperatuur van de kominhoud weergegeven.
- 5 Om het mengen en verwarmen te stoppen, zet u de snelheidsknop in de uitstand ('O'). Om de werking te hervatten, selecteert u een snelheid.

tips

- **In sommige recepten, met name recepten met een hoog watergehalte, kan de kooktemperatuur niet boven 100 °C uitstijgen (dit is het kookpunt van water).**
- Als u tijdens het koken ingrediënten wilt toevoegen, draait u de snelheid omlaag en voegt de ingrediënten langzaam en gelijkmatig toe.
- Om sauzen snel te verwarmen, gebruikt u de continue roerinstelling (1).
- U zult zien dat het gebruik van verschillende hulpstukken voor verschillende bereidingsprocessen tijdens uw maaltijdbereiding tot betere resultaten leidt. Gebruik de flexibele klopper voor hoge temperatuur om groenten te braden en vervolgens het roerhulpstuk om stukken vlees of gevogelte te bereiden.
- Als u het spatdeksel gebruikt tijdens het koken, dient u dit altijd te verwijderen voordat u de mixerkop optilt. Vergeet niet dat het spatdeksel en hittedeksel condensatie bevatten.
- Til de mixerkop langzaam op zodat eventuele vloeistof aan de onderkant van het hittedeksel terug in de kom kan vallen.
- Er zijn drie roerfuncties waarmee u de juiste roerfrequentie voor de verschillende recepten kunt selecteren. Voor sommige recepten moet constant worden geroerd om te voorkomen dat de ingrediënten aan de bodem van de kom aankloeken, terwijl voor andere recepten zo nu en dan moet worden geroerd om de textuur van het voedsel te bewaren.
- Voor de beste prestaties dient u de hoogte van het hulpstuk aan te passen (zie pagina 25).
- De maximale kooktijd is 3 uur; daarna schakelt de mixer automatisch uit.
- U kunt voedsel zonder hulpstuk verwarmen, maar u moet wel altijd een snelheid selecteren. Dit kan handig zijn bij het smelten van bijvoorbeeld boter of chocolade.
- Telkens wanneer op de timer/temperatuurselectieknop wordt gedrukt, worden afwisselend de kooktijd en de op dat moment bereikte temperatuur weergegeven.

Garde voor hoge snelheid en hoge temperatuur

Als u de garde wilt gebruiken bij hoge snelheid en een temperatuur boven 60 °C, draait u de snelheidsknop naar de gewenste klopsnelheid en houdt de pulseerknop vervolgens ingedrukt. Er klinkt er een pieptoon en de snelheids- en temperatuurindicatorlampjes gaan snel knipperen. De klopsnelheid neemt langzaam toe tot de geselecteerde snelheid.

Herhaal de procedure om de snelheid verder te verhogen. U kunt de klopsnelheid normaal verlagen en de mixer op de gebruikelijke wijze uitschakelen.

Deze functie mag ALLEEN worden gebruikt met de garde. U mag de maximale kookcapaciteit van 3 liter niet overschrijden en moet ervoor zorgen dat het spatdeksel bevestigd is. De machine mag niet alleen worden gelaten.

na het koken

- Wees voorzichtig als u enig deel van de mixer hanteert of aanraakt terwijl het in de kookmodus wordt gebruikt en na het koken. DIT GELDT MET NAME VOOR DE KOM, HET SPATDEKSEL EN DE HULPSTUKKEN omdat deze nog lange tijd nadat het apparaat is uitgeschakeld HEET blijven. Gebruik de handgrepen om de kom te verwijderen en te dragen. Gebruik ovenhandschoenen om de hete kom en menghulpstukken aan te pakken.
- De onderkant van de kom blijft nog lange tijd nadat de verwarming is uitgeschakeld heet. Wees voorzichtig als u de kom vastpakt en gebruik de bijgeleverde beschermmat voor het werkoppervlak om een warmtegevoelige ondergrond te beschermen.

display

Voor uw veiligheid is de mixer uitgerust met 5 afzonderlijke veiligheidssensors die zijn ingeschakeld als u de mixer in kookmodus gebruikt. Als de mixer wordt ingeschakeld en een veiligheidssensor wordt geactiveerd, geeft de timer/temperatuurdisplay een foutmelding weer, bijv. E:01. De weergave van een foutmelding wordt vergezeld van een pieptoon en de mixer werkt niet. Controleer de volgende foutmeldingen:

Foutmelding	Beschrijving	Oplossing
E:01	De kop van de machine is omhoog gericht. Als de kop wordt opgetild, schakelt een veiligheidssensor de motor en de verwarming uit. Als de snelheidsknop in een andere stand wordt geplaatst dan de uitstand ('O'), terwijl de kop wordt opgetild, wordt dit bericht weergegeven en kan de motor niet worden ingeschakeld.	Draai de kop naar beneden. Draai de snelheidsknop naar de 'O'-stand en selecteer de gewenste snelheid.
E:02	De kom van de Cooking Chef zit niet op zijn plaats. De verwarmingsfunctie werkt alleen als de kookkom wordt gebruikt. Deze kom moet ook op de juiste manier zijn geplaatst. De veiligheidssensors merken dat de verkeerde kom is gebruikt of dat de juiste kom op de verkeerde manier is geplaatst.	Zorg dat de kom van de Cooking Chef wordt gebruikt. Controleer of de kom op de juiste manier is geplaatst. Draai de snelheidsknop naar 'O' en selecteer de gewenste snelheid.
E:03	Het hittescherf is niet bevestigd. De verwarmingsfunctie wordt uitgeschakeld als het hittescherf niet op de juiste manier is bevestigd.	Zorg dat het hittescherf op de juiste manier is geplaatst. Draai de snelheidsknop naar 'O' en selecteer vervolgens de gewenste snelheid.
E:04	De afdekkingen voor de lage snelheid- en hoge/medium snelheidsaansluitpunten zijn niet aangebracht. Deze afdekkingen zijn voorzien van veiligheidssensors. Als de afdekkingen niet juist zijn aangebracht, wordt de verwarming uitgeschakeld en als een roerfunctie is geselecteerd, blijft de motor continu draaien. De mengsnelheden min tot max blijven continu werken.	Zorg dat alle afdekkingen juist zijn aangebracht. Draai de snelheidsknop naar 'O' en selecteer vervolgens de gewenste snelheid.
E:09	Probleem met temperatuursensor. Als de warmteregeling een hogere komtemperatuur detecteert dan tijdens normaal gebruik kan worden verwacht, worden de motor en de verwarming automatisch uitgeschakeld.	Draai de snelheidsknop naar 'O', trek de stekker uit het stopcontact en laat de machine afkoelen. Controleer of de korbasis en temperatuursensors schoon zijn. Steek de stekker weer in het stopcontact en schakel de machine zoals gewoonlijk in.
E:10	Probleem met de motorsnelheid of oververhitting. Als de motor afslaat of te heet wordt, schakelt het reguleringssysteem de motor en de verwarming uit.	Draai de snelheidsknop naar 'O' en trek de stekker uit het stopcontact. Verwijder alle obstructies die de motor doen afslaan. Zorg dat de ventilatiegaten vrij zijn van obstructies. Steek de stekker in het stopcontact en schakel de machine in.

Als deze of andere foutmeldingen blijven verschijnen, dient u contact op te nemen met de klantenservice van Kenwood.

gebruik van het aftelmechanisme

De timer kan worden gebruikt in de kook- en niet-kookmodi. Als geen afteltijd is geselecteerd, telt de timer automatisch omhoog met 1 seconde terwijl de mixer in bedrijf is. De maximale bedrijfsduur is 3 uur.

- 1 Steek de stekker van de mixer in het stopcontact. De display geeft kort **88:88.** weer en is daarna leeg; alleen het indicatielampje voor Aan/uit blijft branden.
- 2 Druk op de + of – toets en de display geeft 0:00 weer.
- 3 Druk op de + of – toets tot de gewenste tijd wordt weergegeven. De timer laat de tijd zien in intervallen van 5 seconden. Als de toetsen continu worden ingedrukt, veranderen de cijfers sneller naarmate de knoppen langer worden ingedrukt. De maximale tijd die kan worden ingesteld is 3 uur.
NB: Als de + toets wordt ingedrukt als de timer op 3:00 staat, verandert de weergegeven tijd in 0:00. Als de – toets wordt ingedrukt als de timer op 0:00 staat, verandert de weergegeven tijd in 3:00.
- 4 Draai de snelheidsknop naar de gewenste snelheid; de mixer begint te werken en de timer telt met een interval van 1 seconde af.
 - De werking van de mixer kan op ieder gewenst moment worden onderbroken door de snelheidsknop naar de 'O'-stand te draaien. De timer wordt hierdoor ook onderbroken. De timer gaat verder met aftellen als de werking van de mixer wordt hervat.
- 5 Het mixproces stopt automatisch als de tijd geheel is verstreken en u hoort gedurende 3 seconden een pieptoon. De display knippert gedurende 5 seconden en is daarna leeg; vervolgens wordt het Aan/uit-lampje weergegeven.

de timer opnieuw instellen

- 1 Stel de timer op nul door tegelijkertijd op de + en - toets te drukken (de snelheidsknop moet in de 'O'-stand staan).
 - Als de machine 10 minuten inactief is, gaan de LCD-display en de achterverlichting in de slaapmodus en worden alle displays uitgeschakeld. Als een toets of regelknop wordt geactiveerd, komt de display terug in het vorige formaat.

maximum capaciteit

kruimeldeeg	• Bloem: 910 g
stijf gistdeeg	• Bloem: 1,5 kg
	• Totaalgewicht: 2,4 kg
zacht gistdeeg	• Bloem: 2,6 kg
	• Totaalgewicht: 5 kg
vruchtentaartmix	• Totaalgewicht: 4,55 kg
eiwitten	• 16
kookmodus	• 3 liter

- algemene aanwijzingen
- Stop de mixer en schraap de kom regelmatig schoon met de spatel.
 - Eieren kunnen het best op kamertemperatuur worden geklopt.
 - Voordat u eiwitten begint te kloppen, dient u te zorgen dat er geen vet of eigeel aanwezig is op de garde of de kom.
 - Voor deeg gebruikt u koude ingrediënten tenzij uw recept iets anders aangeeft.

aanwijzingen voor het maken van brood

- belangrijk
- U mag de aangegeven maximum capaciteit nooit overschrijden - de machine raakt dan overbelast.
 - Als u hoort dat de machine te hard moet werken, schakelt u hem uit, verwijdert de helft van het deeg en verwerkt iedere helft afzonderlijk.
 - De ingrediënten worden het best vermengd als u de vloeistof eerst in de kom doet.

probleemoplossingsgids voor tijdens het koken

Probleem	Oorzaak	Oplossing
De mixer werkt niet in de verwarmingsmodus en geeft een foutmelding en een waarschuwingstoon weer.	Een van de veiligheidssensors is geactiveerd.	Zie de tabel met foutmeldingen op pagina 29. <ul style="list-style-type: none"> • Controleer of de kop omlaag is gebracht en is vergrendeld. • Zorg dat alle afdekkingen van de aansluitpunten juist zijn aangebracht. • Zorg dat het hittescherf op de juiste manier is geplaatst. • Zorg dat de kom van de cooking chef juist is geplaatst.
Er is een temperatuur geselecteerd, maar de kominhoud wordt niet verwarmd (het temperatuurlampje brandt niet).	Er is geen snelheid geselecteerd.	Selecteer een snelheid.
De mixer verandert van snelheid tijdens het koken.	De snelheid wordt automatisch beperkt als de kominhoud 60 °C bereikt.	Dit is een veiligheidskenmerk.
Voedsel brandt aan op de bodem van de kom.	<ol style="list-style-type: none"> 1 De geselecteerde temperatuurinstelling kan te hoog zijn. 2 Onjuist hulpstuk gebruikt. 3 De roerfunctie is te traag. 4 Het hulpstuk is misschien niet laag genoeg in de kom bevestigd. 5 De timer is voor een te lange tijdsduur ingesteld. 6 De sensor en/of de onderkant van de kom zijn misschien niet schoon. 	<ol style="list-style-type: none"> 1 Verlaag de temperatuur of kook bij een lagere temperatuur. 2 Controleer of het meest geschikte hulpstuk wordt gebruikt. 3 Verhoog de roerfrequentie of schakel over op een continue roerfunctie. 4 Stel de hoogte van het hulpstuk bij. 5 Kook het voedsel korter (maar zorg wel dat het gaar is). 6 Zorg dat deze gebieden schoon en droog blijven.
Textuur van het voedsel niet bewaard gebleven.	<ol style="list-style-type: none"> 1 De temperatuur is te hoog ingesteld. 2 De roerfunctie is te snel. 3 De ingrediënten zijn te lang gekookt. 4 Onjuist hulpstuk gebruikt. 	<ol style="list-style-type: none"> 1 Verlaag de temperatuur. 2 Gebruik een lagere roersnelheid. 3 Verkort de kooktijd (maar zorg wel dat het voedsel gaar is). 4 Controleer of het meest geschikte hulpstuk wordt gebruikt.
Onregelmatige mengsnelheid.	<ol style="list-style-type: none"> 1 Ingrediënten te groot, te hard of te stevig. 	<ol style="list-style-type: none"> 1 Snij het voedsel in kleinere stukken, verwijder de pitten uit het fruit, smelt ingrediënten langzaam zonder gebruik te maken van een hulpstuk (maar zorg wel dat een snelheid is geselecteerd). 2 Voeg de ingrediënten toe nadat de kop omlaag is gebracht. 3 Controleer of het meest geschikte hulpstuk wordt gebruikt.
Koude ingrediënten zijn aan een heet mengsel toegevoegd, maar de temperatuurdisplay reageert niet snel genoeg.	Als de kominhoud niet goed wordt geroerd, bevat het voedsel in de kom verschillende temperaturen.	<ol style="list-style-type: none"> 1 Zorg dat er voldoende tijd is om de ingrediënten goed te mengen. 2 Verhoog de roersnelheid.
De mixerkop kan met moeite worden gesloten als er voedsel in de kom zit.	Als er stevige ingrediënten zoals chocola op de bodem van de kom liggen, kan de mixerkop niet worden vergrendeld.	Voeg de ingrediënten toe nadat de kop omlaag is gebracht.
De mixer werkt onafgebroken als roerinstelling (2) of (3) geselecteerd is.	De afdekkingen van aansluitpunten zijn onjuist aangebracht.	Zorg dat alle afdekkingen van de aansluitpunten juist zijn aangebracht.
De motorsnelheid wordt beperkt als hulpstukken worden gebruikt.	De kom is heet.	Verwijder de kom of koel de kom af tot onder 60 °C.

optioneel verkrijgbare hulpstukken

Als u een hulpstuk wilt aanschaffen dat niet bij uw apparaat meegeleverd is, kunt u de sectie service en onderhoud raadplegen.

hulpstuk hulpstukcode

platte pastamaker ① **AT970A**

extra pastahulpstukken (niet afgebeeld) gebruikt in combinatie met met AT970A

- AT971A** tagliatelle
- AT972A** tagliolini
- AT973A** trenette
- AT974A** spaghetti

pasta maker ② **AT910** wordt geleverd met een opzetstuk voor geribbelde macaroni (het apparaat kan met 12 optionele opzetstukken plus een biscuitmaker worden uitgerust)

roto voedselsnijder ③ **AT643** wordt geleverd met 5 trommels

vruchtenpers ④ **AT644**

multi voedselmolen ⑤ **AT950A** wordt geleverd met een fijne, medium en grove schijf, een klein en groot worstmondstuk en een kebbemaker

multi voedselmolen ⑥ **AT955** wordt geleverd met een fijne, medium en grove schijf, een klein en groot worstmondstuk en een kebbemaker

graanmolen ⑦ **AT941A**

hulpstuk voor

foodprocessor ⑧ **AT647** heeft 6 snijschijven en een mes

pro snij-/raspschijven ⑨ **AT340** heeft 7 snijschijven

citruspers ⑩ **AT312**

blender ⑪ 1,5 l acryl **AT337**, 1,6 L hittebestendig glas **AT358**, 1,5 l roestvrij staal **AT339**

mini-hakhulpstuk / molen ⑫ **AT320A** wordt geleverd met 4 glazen bekertjes en 4 deksels om voedsel te bewaren

continue fruitpers ⑬ **AT641**

ijsmaker ⑭ **AT957A**

aardappelschilapparaat ⑮ **AT445**

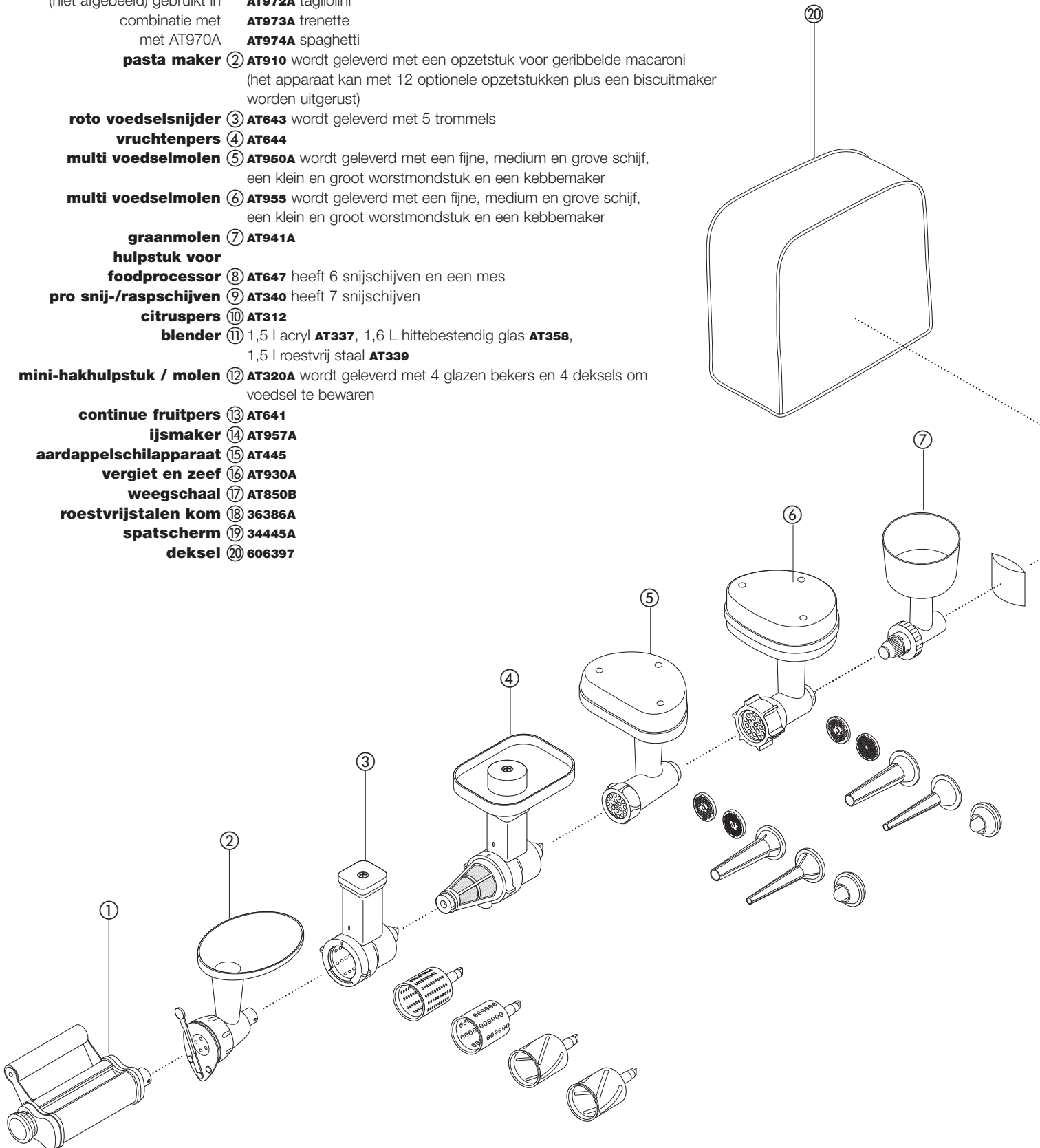
vergiet en zeef ⑯ **AT930A**

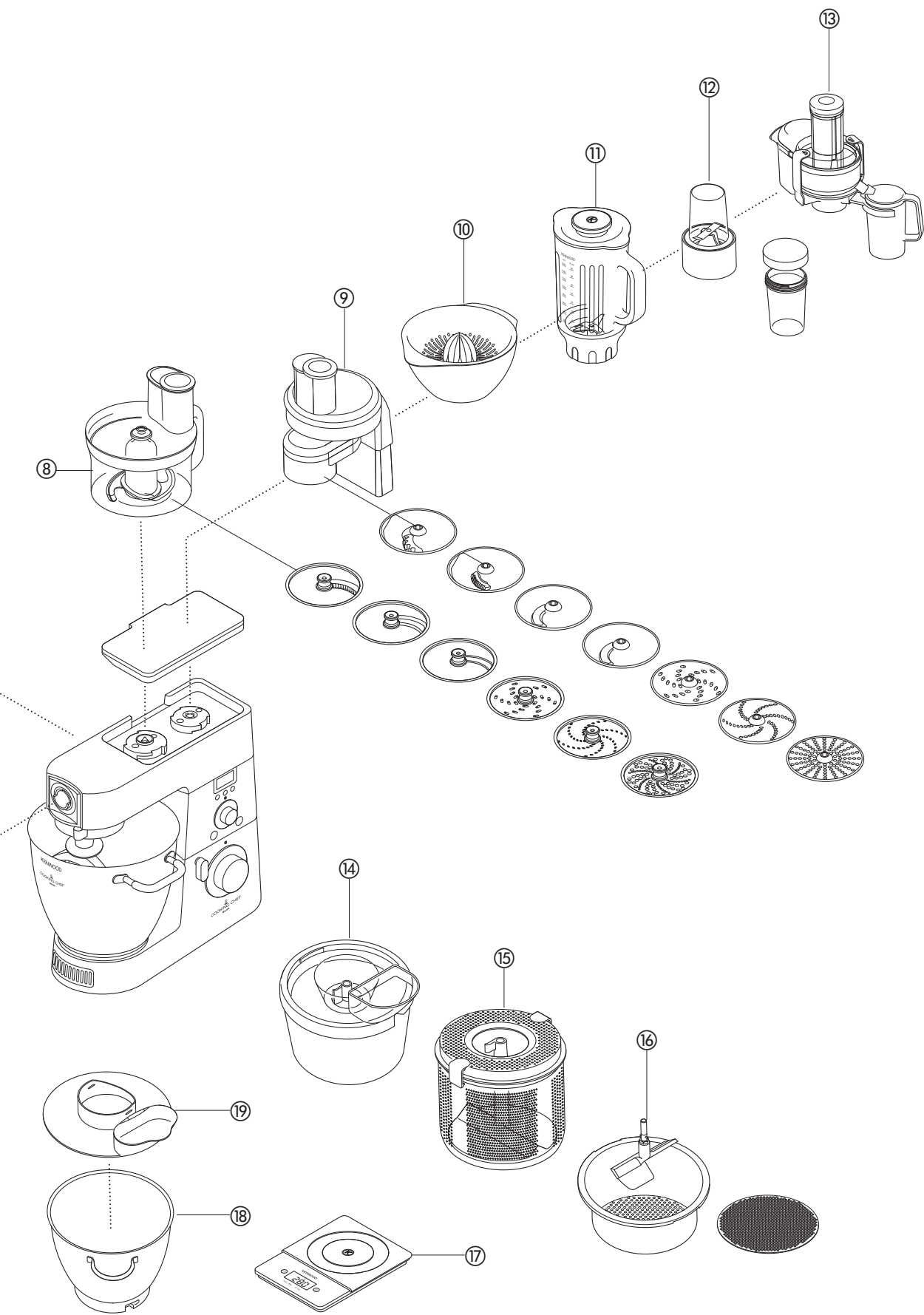
weegschaal ⑰ **AT850B**

roestvrijstalen kom ⑱ **36386A**

spatscherm ⑲ **34445A**

deksel ⑳ **606397**





reiniging en onderhoud

onderhoud en reiniging

- Schakel het apparaat altijd uit en haal de stekker uit het stopcontact voor u het gaat reinigen.
- Bij het eerste gebruik kan een beetje vet bij het **aansluitpunt 2** zitten. Dit is normaal. U kunt het gewoon wegvegen.
- De metalen oppervlakken van de temperatuursensors kunnen tijdens normaal gebruik tekenen van slijtage vertonen. Dit heeft geen invloed op de prestaties van het product.
- Laat de flexibele klopper voor hoge temperatuur niet op de mixer zitten als het apparaat niet in gebruik is.

apparaat, afdekkingen
aansluitpunten

flexibele klopper voor
hoge temperatuur

- Met een vochtige doek afvegen en vervolgens afdrogen.
- Nooit in water onderdompelen of schuurmiddelen gebruiken.
- Verwijder het flexibele vegeerblad altijd van het hulpmiddel voordat u het reinigt.
- Was het flexibele vegeerblad en hulpmiddel in heet zeepsop en droog ze vervolgens goed af. De onderdelen kunnen ook in de afwasmachine worden gewassen.

NB: Inspecteer de conditie van het hoofddeel van het hulpmiddel vóór en na gebruik en controleer verder regelmatig de conditie van het vegeerblad; vervang het als er tekenen van slijtage zijn.

kom, hulpstukken, spatdeksel

- Met de hand afwassen en goed afdrogen, of in de afwasmachine wassen.
- Gebruik nooit een staalborstel, staalwol of bleekmiddel om uw roestvrij stalen kom te reinigen. Gebruik azijn of een geschikt ontkalkingsmiddel om kalkaanslag te verwijderen.
- Als voedsel aan de binnenkant van de kom aankeekt of aanbrandt, verwijdert u zo veel mogelijk met de meegeleverde spatel. Vul de kom met warm zeepsop en laat hem weken. Verwijder hardnekkige resten met een nylon borstel.
- Verkleuring van de kom heeft geen invloed op de prestaties ervan.
- Zorg dat zich geen voedsel in de buurt van deze opening bevindt. gebruik zo nodig een pijpenrager of wattenstaafje om de opening te reinigen.
- Met een vochtige doek afvegen en vervolgens goed afdrogen. Gebruik nooit schuurmiddelen of scherpe instrumenten om de sensors te reinigen.

drainopening

temperatuursensors

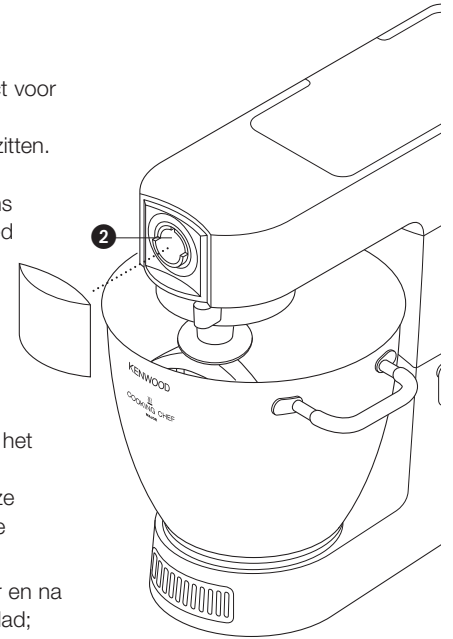
onderhoud en klantenservice

- Als het snoer beschadigd is, moet het om veiligheidsredenen door Kenwood of een door Kenwood geautoriseerd reparatiebedrijf vervangen worden.

Als u hulp nodig hebt met:

- het gebruik van uw apparaat of
 - onderhoud en reparatie
- kunt u contact opnemen met de winkel waar u het apparaat gekocht hebt.

- Ontworpen en ontwikkeld door Kenwood in het VK.
- Vervaardigd in China.





**BELANGRIJKE INFORMATIE VOOR DE CORRECTE
VERWERKING VAN HET PRODUCT IN OVEREENSTEMMING
MET DE EUROPESE RICHTLIJN 2002/96/EC**

Aan het einde van de levensduur van het product mag het niet samen met het gewone huishoudelijke afval worden verwerkt. Het moet naar een speciaal centrum voor gescheiden afvalinzameling van de gemeente worden gebracht, of naar een verkooppunt dat deze service verschaft. Het apart verwerken van een huishoudelijk apparaat voorkomt mogelijke gevolgen voor het milieu en de gezondheid die door een ongeschikte verwerking ontstaan en zorgt ervoor dat de materialen waaruit het apparaat bestaat, teruggewonnen kunnen worden om een aanmerkelijke besparing van energie en grondstoffen te verkrijgen. Om op de verplichting tot gescheiden verwerking van elektrische huishoudelijke apparatuur te wijzen, is op het product het symbool van een doorgekruiste vuilnisbak aangebracht.

recepten

Zie belangrijke aanwijzingen voor het maken van brood op pagina 30.

- witbrood stijf gistdeeg**
- ingrediënten
- 1,36 kg sterke patentbloem
 - 3 theelepels zout
 - 25 g verse gist of 15 g gedroogde gist + 1 theelepel suiker
 - 750 ml warm water: 43 °C. Gebruik een thermometer of voeg 250 ml kokend water toe aan 500 ml koud water
 - 25 g vet
- bereiding
- 1 **gedroogde gist** (het soort gist dat moet worden opgelost): giet het warme water in de kom. Voeg de gist en de suiker toe en laat het ongeveer 10 minuten staan tot het schuimt.
verse gist: in de bloem verkrumelen.
andere soorten gist: volg de aanwijzingen van de fabrikant.
 - 2 Giet de vloeistof in de kom. Voeg vervolgens de bloem (met verse gist indien gebruikt), het zout en het vet toe.
 - 3 45-60 seconden bij de minimum snelheid kneden. De snelheid vervolgens tot 1 verhogen, zo nodig meer bloem toevoegen tot een deeg is gevormd.
 - 4 3-4 minuten langer kneden op snelheid 1 tot het deeg soepel en elastisch is en de zijkant van de kom schoon blijft.
 - 5 Leg het deeg in een ingevette polytheen zak of een kom die met een theedoek is afgedekt. Laat het deeg vervolgens op een warme plek rijzen tot het in volume is verdubbeld.
 - 6 Kneed het deeg vervolgens nogmaals 2 minuten op snelheid 1.
 - 7 Vul vier ingevette blikken van 450 g voor de helft met deeg of vorm er broodjes van. Dek deze af met een theedoek en laat ze vervolgens op een warme plek rijzen tot ze in volume zijn verdubbeld.
 - 8 Op 230 °C/gasstand 8 gedurende 30 – 35 minuten bakken voor *broden* of 10 – 15 minuten voor *broodjes*.
 - Als het gaar is, moet het brood hol klinken als u op de onderkant tikt.

- witbrood zacht gistdeeg**
- ingrediënten
- 2,6 kg gewone patentbloem
 - 1,3 liter melk
 - 300 g suiker
 - 450 g margarine
 - 100 g verse gist of 50 g gedroogde gist
 - 6 eieren, geslagen
 - 5 snuffjes zout
- bereiding
- 1 Smelt de margarine in de melk en breng het geheel op een temperatuur van 43 °C.
 - 2 **gedroogde gist** (het soort gist dat moet worden opgelost): voeg de gist en de suiker aan de melk toe en laat het ongeveer 10 minuten staan tot het schuimt.
verse gist: in de bloem verkrumelen en suiker toevoegen
andere soorten gist: volg de aanwijzingen van de fabrikant.
 - 3 Giet de melk in de kom. Voeg de geslagen eieren en 2 kg bloem toe.
 - 4 Bij minimum snelheid gedurende 1 minuut mixen en vervolgens nog een minuut op snelheid 1.
De binnenkant van de kom afschrappen.
 - 5 Voeg de rest van de bloem toe en mix gedurende 1 minuut op de minimum snelheid en vervolgens gedurende 2-3 minuten op snelheid 1 tot u een glad en gelijkmatig deeg hebt verkregen.
 - 6 Vul enkele ingevette blikken van 450 g voor de helft met deeg of vorm er broodjes van. Dek deze af met een theedoek en laat ze vervolgens op een warme plek rijzen tot ze in volume zijn verdubbeld.
 - 7 Op 200°C/gasstand 6 gedurende 20–25 minuten bakken voor *broden* of 15 minuten voor *broodjes*.
 - 8 Als het gaar is, moet het brood hol klinken als u op de onderkant tikt.
 - Voor ongeveer 10 broden.

recepten *vervolg*

taart met aardbeien en abrikozen

- ingrediënten: biscuitdeeg
- 3 eieren
 - 75 g basterdsuiker
 - 75 g patentbloem
- vulling en versiering
- 150 ml volle room
 - Suiker naar smaak
 - 225 g aardbeien
 - 225 abrikozen
- bereiding
- 1 Halveer de abrikozen en verwijder de pitten. Kook ze voorzichtig in erg weinig water met naar smaak een beetje suiker tot ze zacht zijn.
 - 2 Was en halveer de aardbeien.
 - 3 Voor het biscuitdeeg klopt u de eieren en suiker op maximum snelheid tot ze erg bleek en dik zijn.
 - 4 Verwijder de kom en garde. Vouw de bloem er met een grote metalen lepel met de hand door; doe dit voorzichtig om het deeg licht te houden.
 - 5 Doe het mengsel in twee ingevette en beklede blikken van 16 cm.
 - 6 Bak ze bij 180 °C/gasstand 4 gedurende 20 minuten tot de taart terugveert als u hem zachtjes aanraakt.
 - 7 Keer de blikken om op een rooster.
 - 8 Klop de room op maximum snelheid tot hij stijf is. Voeg suiker naar smaak toe.
 - 9 Hak de abrikozen en een derde van de aardbeien grof in stukken. Vouw ze in de helft van de room.
 - 10 Spreid dit uit over een van de taarten en leg vervolgens de andere taart er bovenop.
 - 11 Smeer de resterende room over de bovenkant en versier dit met de resterende aardbeien.

schuimpjes

- ingrediënten
- 4 eiwitten
 - 250 g poedersuiker, gezeefd
 - Bekleed uw bakplaat met niet-klevend bakpapier.
- bereiding
- 1 Klop de eiwitten en suiker op maximum snelheid gedurende ongeveer 10 minuten tot zich pieken hebben gevormd.
 - 2 Schep het mengsel met een lepel op de bakplaat (of gebruik een spuitzak met een stervormige spuitmond van 2,5 cm).
 - 3 Op 110 °C/gasstand 1/4 gedurende ongeveer 4-5 uur bakken tot de schuimpjes stevig en knapperig zijn. Als ze bruin beginnen te worden, kunt u de deur van de oven enigszins open laten staan.
- Bewaar de schuimpjes in een luchtdichte container.

kruimeldeeg

- ingrediënten
- 450 g bloem, gezeefd met het zout
 - 1 theelepel zout
 - 225 g vet (meng reuzel en margarine uit de koelkast)
 - Ongeveer 80 ml water
 - Niet te lang mixen
- tip
- 1 Doe de bloem in de kom. Hak het vet grof en voeg het aan de bloem toe.
- bereiding
- 2 Gebruik de K-klopper op snelheid 1 en mix tot het er als fijn broodkruim uitziet. Stop voordat het mengsel er vettig begint uit te zien.
 - 3 Voeg het water toe en mix op minimum snelheid. Stop zodra het water is opgenomen.
 - 4 Afhankelijk van de vulling bij ongeveer 200 °C/gasstand 6 bakken.

chilimarinate

- ingrediënten
- 200 g koude, heldere honing (gedurende de nacht gekoeld)
 - 1 groene chili (heel)
 - 5 ml (1 tl) knapperige pindakaas
 - peper en zout
- bereiding
- 1 Plaats alle ingrediënten in het mini-hakhulpstuk / de molen.
 - 2 Bevestig het hulpstuk aan de mixer en laat de ingrediënten zich rondom het mes bezinken.
 - 3 Draai de knop gedurende 10 seconden naar pulseren.
 - 4 Gebruik het mengsel naar wens.

Français

avant d'utiliser votre appareil Kenwood

- **Lisez et conservez soigneusement ces instructions pour pouvoir vous y référer ultérieurement.**
- Retirez tous les éléments d'emballage et les étiquettes.

faites connaissance avec votre robot de cuisine multifonctions Kenwood Chef

sécurité

remarque importante – implants médicaux électroniques

- Comme tous les produits de cuisson par induction, cet appareil génère des champs magnétiques à ondes courtes. Si l'utilisateur ou une personne se tenant à proximité de l'appareil porte un pacemaker ou tout autre implant actif, il est recommandé de consulter un médecin avant utilisation au sujet d'une possible incompatibilité afin de prévenir tout risque pour la santé.
- Éteignez et débranchez l'appareil avant de fixer ou de retirer les éléments, après utilisation et avant de le nettoyer.
- N'approchez pas des parties de votre corps, bijoux ou vêtements amples des parties en mouvement et des accessoires attachés.
- Ne mettez pas les doigts dans le mécanisme de charnière.
- Ne laissez jamais l'appareil allumé sans surveillance.
- N'utilisez jamais un appareil endommagé. Faites-le vérifier et réparer : voir rubrique "service après-vente", page 52.
- N'utilisez jamais d'accessoire non prévu pour cet appareil ou plus d'un accessoire à la fois.
- N'excédez jamais les capacités maximales indiquées page 48 ; quand vous utilisez la cuisson par induction, n'excédez jamais le niveau de remplissage maximum de 3 litres indiqué à l'intérieur du bol.
- Quand vous utilisez un accessoire supplémentaire, lisez les instructions d'utilisation qui l'accompagnent.
- Faites attention en soulevant cet appareil car il est assez lourd. Assurez-vous que la tête est verrouillée et que le bol, les accessoires, les couvercles et le cordon sont bien attachés avant de soulever l'appareil.
- Ne laissez jamais le cordon pendre de sorte qu'un enfant puisse l'attraper.
- Ne laissez jamais le bloc moteur, le cordon d'alimentation ou la prise se mouiller.
- Faites attention en manipulant ou en touchant toute partie de l'appareil quand il est utilisé en mode cuisson ou après la cuisson, EN PARTICULIER, LE BOL, LE COUVERCLE ANTI PROJECTIONS ET LES ACCESSOIRES car ils restent CHAUDS longtemps après que l'appareil a été éteint. Utilisez les poignées pour retirer et porter le bol. Utilisez un gant anti-chaueur pour manipuler le bol et les accessoires de mélange chauds.
- Le dessous du bol restera chaud longtemps après la fin de la cuisson. Faites attention en manipulant le bol et protégez votre plan de travail ou les surfaces sensibles à la chaleur.
- Prenez garde à la vapeur s'échappant du bol, particulièrement en ôtant le couvercle ou en soulevant la tête du batteur.
- Si vous transférez des ingrédients chauds du batteur au mixeur, laissez-les refroidir à température ambiante avant de les placer dans le mixeur.
- N'utilisez que le bol et les accessoires fournis avec cet appareil. N'utilisez jamais le bol avec une autre source de chaleur.
- Ne jamais faire fonctionner l'appareil en mode cuisson si le bol est vide.
- Ne rien insérer dans les grilles de ventilation.
- Quand vous utilisez cet appareil, posez-le sur une surface plane loin du bord. Placez-le à au moins 10 cm des murs et assurez-vous que la ventilation n'est pas bloquée. Ne pas placer l'appareil sous un placard saillant.
- Pour une utilisation correcte et sûre du cuiseur par induction, assurez-vous que la base du bol et les capteurs de température sont propres et secs avant de lancer la cuisson.
- Comme pour tous les appareils de cuisson par induction, ne placez pas de cartes de crédit, appareils magnétiques ou électroniques sensibles à proximité de l'appareil pendant son utilisation.
- N'utilisez pas l'appareil pour frire des aliments.
- Assurez-vous toujours que les ingrédients sont complètement cuits avant de les consommer.
- Il est recommandé de consommer les aliments peu de temps après leur préparation ou de les refroidir rapidement et de les réfrigérer le plus vite possible.
- Cet appareil n'est pas destiné à être utilisé par des personnes (y compris des enfants) dont les capacités physiques, sensorielles ou mentales sont diminuées, ou qui ne disposent pas des connaissances ou de l'expérience nécessaires, à moins qu'elles n'aient été formées et encadrées pour l'utilisation de cet appareil par une personne responsable de leur sécurité.
- Les enfants doivent être surveillés afin qu'ils ne puissent pas jouer avec cet appareil.
- N'employez l'appareil qu'à la fin domestique prévue. Kenwood décline toute responsabilité dans les cas où l'appareil est utilisé incorrectement ou que les présentes instructions ne sont pas respectées.

avant de brancher l'appareil

- Assurez-vous que le courant électrique que vous utilisez est le même que celui indiqué sur la partie inférieure de l'appareil.
- Cet appareil est conforme à la directive 2004/108/CE de la CE sur la compatibilité électromagnétique, et au règlement 1935/2004 de la CE du 27/10/2004 sur les matériaux destinés au contact alimentaire.

avant d'utiliser votre appareil pour la première fois

Lavez les différents éléments : voir "nettoyage" page 52.

introduction

Merci d'avoir acheté ce robot de cuisine Kenwood, nous espérons qu'il vous sera utile pendant de longues années.

Kenwood a près de 60 ans d'expérience et d'expertise dans le développement de nos robots de cuisine et leur large gamme d'accessoires. Les robots de cuisine Kenwood Chef sont renommés pour être bien plus qu'un simple batteur.

Nous avons poussé un peu plus loin la polyvalence du robot Chef en y intégrant la cuisson par induction directement sous le bol mélangeur. Vous pouvez maintenant profiter de tous les avantages du mélange à froid avec mouvement planétaire pour préparer vos gâteaux préférés, pâtisseries et beignets, avec la possibilité supplémentaire de réchauffer et de cuire directement dans le bol tout en mélangeant par mouvement planétaire. Les opportunités sont illimitées.

Le robot de cuisine Kenwood Chef avec sa gamme d'accessoires en option est véritablement le système de préparation culinaire complet.

Solide, Fiable, Polyvalent. Kenwood.

La cuisson par induction est une méthode de cuisson de pointe qui emploie les principes de l'induction électromagnétique.

Quand un courant électrique passe dans une bobine de cuivre dans la zone de cuisson par induction, il se crée un champ électromagnétique. Quand le bol du robot est verrouillé, le circuit est complété par une couche spéciale d'inox sur la base du bol. Il se crée une grande quantité d'énergie thermique qui traverse le contenu du bol, réchauffant ainsi les ingrédients.

La cuisson par induction est énergétiquement très efficace car elle ne produit de chaleur qu'à la base du bol. Les autres méthodes de cuisson, comme la cuisson au gaz, gaspillent 50% de la chaleur sur les côtés de la casserole. De fait, la zone de cuisson par induction de votre robot est chaude seulement pendant et immédiatement après la cuisson, car la chaleur du contenu du bol est retransférée. Tout ceci signifie que la cuisson par induction est très efficace, sûre et propre.

Utiliser la fonction cuisson de votre robot Kenwood Chef est similaire à utiliser une casserole sur votre gazinière. L'avantage supplémentaire, c'est que le robot peut automatiquement mélanger les ingrédients et réguler la température de cuisson selon vos exigences précises, vous permettant ainsi d'effectuer en même temps d'autres tâches dans votre cuisine.

Le robot Chef utilise la technologie de la chaleur par induction qui est extrêmement efficace. Comparé à la cuisson au gaz ou sur une plaque électrique, vous verrez que les temps de cuisson sont réduits ou que vous pouvez cuisiner à température plus basse. Tenez-en compte quand vous utilisez votre robot pour la première fois ou quand vous essayez une nouvelle recette. Commencez la cuisson à température élevée, surveillez la cuisson et réduisez la température si nécessaire pour empêcher les aliments de brûler ou de coller au bol, exactement comme vous le feriez avec une casserole. En général, le robot Chef fait chauffer les ingrédients à la température désirée le plus rapidement possible. Il n'est donc pas nécessaire de régler la température à un niveau plus élevé pour réduire le temps de cuisson. Faites également attention au réglage de la fréquence des battements du mélangeur. Quand vous cuisinez à haute température, il vous sera peut-être nécessaire d'utiliser le réglage mélange (1) en continu. Les réglages (2) de (3) sont utiles pour maintenir la consistance de vos ingrédients pendant une longue période de cuisson à feu doux.

Sélectionner le bon accessoire est également important à ce stade. Un peu plus loin dans ce manuel, nous suggérons les usages les plus appropriés pour chacun des accessoires, et avec l'expérience, vous comprendrez vite lequel est le mieux indiqué pour chaque tâche. En cuisinant, vous vous rendrez compte que le batteur souple spécial haute température est parfait pour obtenir une consistance fluide pour les sauces et les crèmes, tandis que l'outil mélangeur est plus approprié pour les aliments à consistance solide, comme les ragoûts, casseroles, etc... Notre livre de recettes recommande les meilleurs outils pour chaque recette et vous trouverez peut-être que changer d'accessoire pour différentes procédures au cours de votre préparation peut donner de meilleurs résultats.

Pendant la cuisson et immédiatement après, le bol et le couvercle anti-projection seront chauds – tout comme le serait votre casserole. Faites attention lorsque vous les touchez. Il est également important de se souvenir que le processus de cuisson génère de la vapeur et de la condensation. Faites donc attention en regardant dans le bol, en soulevant le couvercle ou la tête du robot pour avoir accès au bol. Prévenez aussi les autres de faire faire attention quand le robot est en cours de cuisson ou quand il est chaud. Pour toucher ou retirer les parties chaudes, il est conseillé d'utiliser un gant à four et de porter le bol par les poignées. Utilisez le tapis de protection pour protéger les surfaces sensibles à la chaleur.

Quand vous chauffez des liquides ou des ingrédients à forte teneur en eau, la mesure de la température a une marge d'erreur de plus ou moins 5°C. L'exactitude de la température affichée varie selon la consistance du contenu du bol, son volume, la fréquence à laquelle il est mélangé et l'accessoire utilisé. C'est la même chose que lorsque vous cuisinez sur un feu à gaz, par exemple. Si une grande quantité de nourriture est chauffée sans être bien mélangée, celle-ci sera chaude à la base, voire brûlée, mais ce qui se trouve sur le dessus sera plus froid.

En plus de l'indicateur de température, le robot dispose d'un petit LED bleu qui clignote jusqu'à ce qu'il ait atteint la température sélectionnée. Une fois cette température atteinte, la lumière cesse de clignoter. Cependant, lorsque vous ajoutez d'autres ingrédients dans le bol, la lumière bleue se remet à clignoter car la température du contenu du bol a baissé avec l'ajout d'ingrédients froids. Vous remarquerez aussi que la lumière statique se met à clignoter si la vitesse du mélange est augmentée.

Vous vous rendrez compte rapidement que votre robot Kenwood Chef est simple à utiliser et vous facilitera la tâche pour votre cuisine de tous les jours.

faites connaissance avec votre robot de cuisine Kenwood Chef

Orifices de branchement 1 sortie ultra-rapide

2 sortie moyenne

3 sortie lente

4 sortie planétaire

le batteur 5 couvercle des sorties ultra-rapide et moyenne

6 tête du batteur

7 couvercle de la sortie lente

8 levier de la sortie lente

9 bol

10 tête – levier pour soulever

11 contrôle de la vitesse

12 ventilation

13 socle du bol/ zone de cuisson par induction

14 orifice d'écoulement

15 capteurs de température

16 batteur K en inox

17 batteur souple haute température

18 fouet

19 crochet de pétrissage

20 mélangeur

21 spatule haute température

22 protège-chaleur

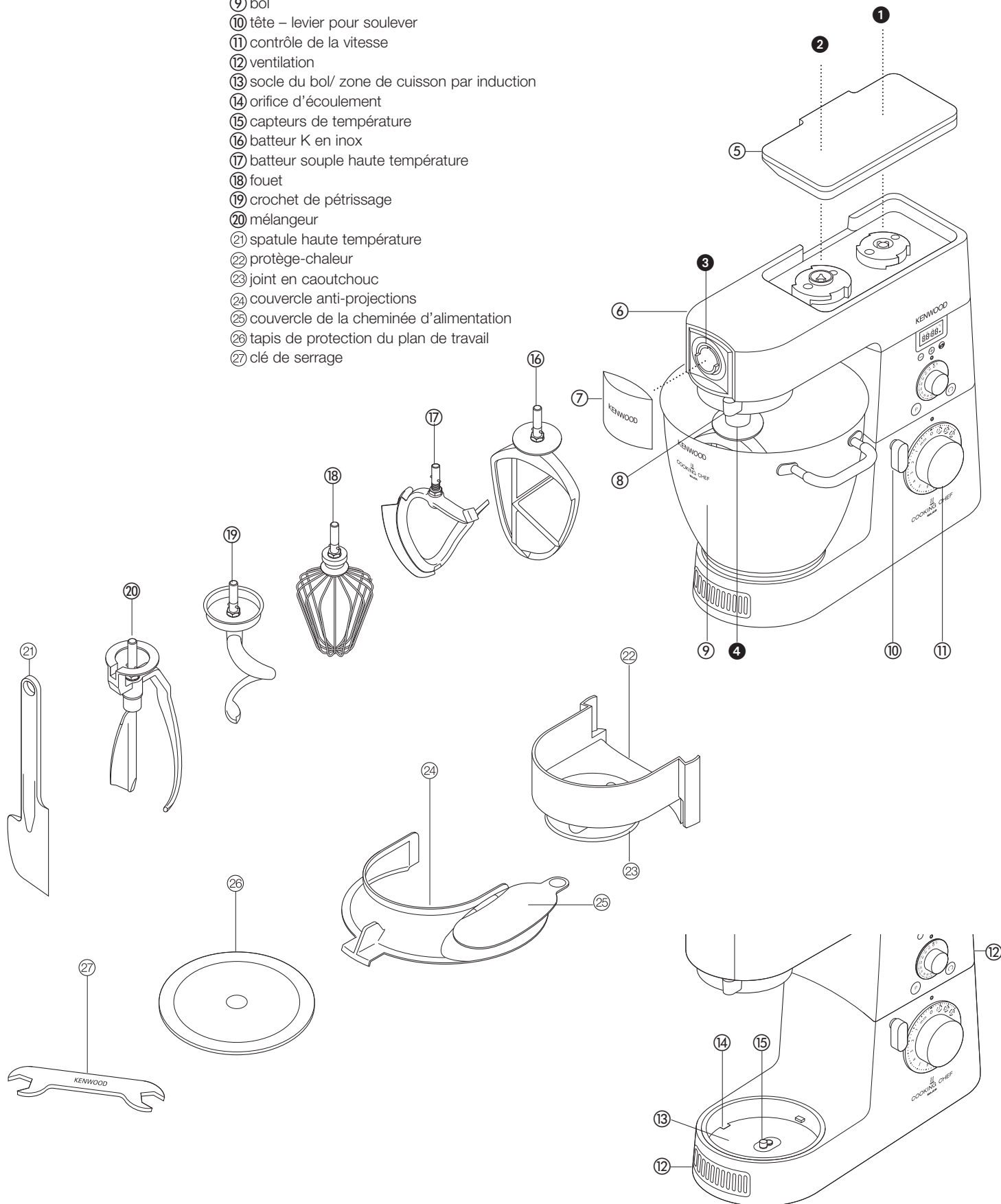
23 joint en caoutchouc

24 couvercle anti-projections

25 couvercle de la cheminée d'alimentation

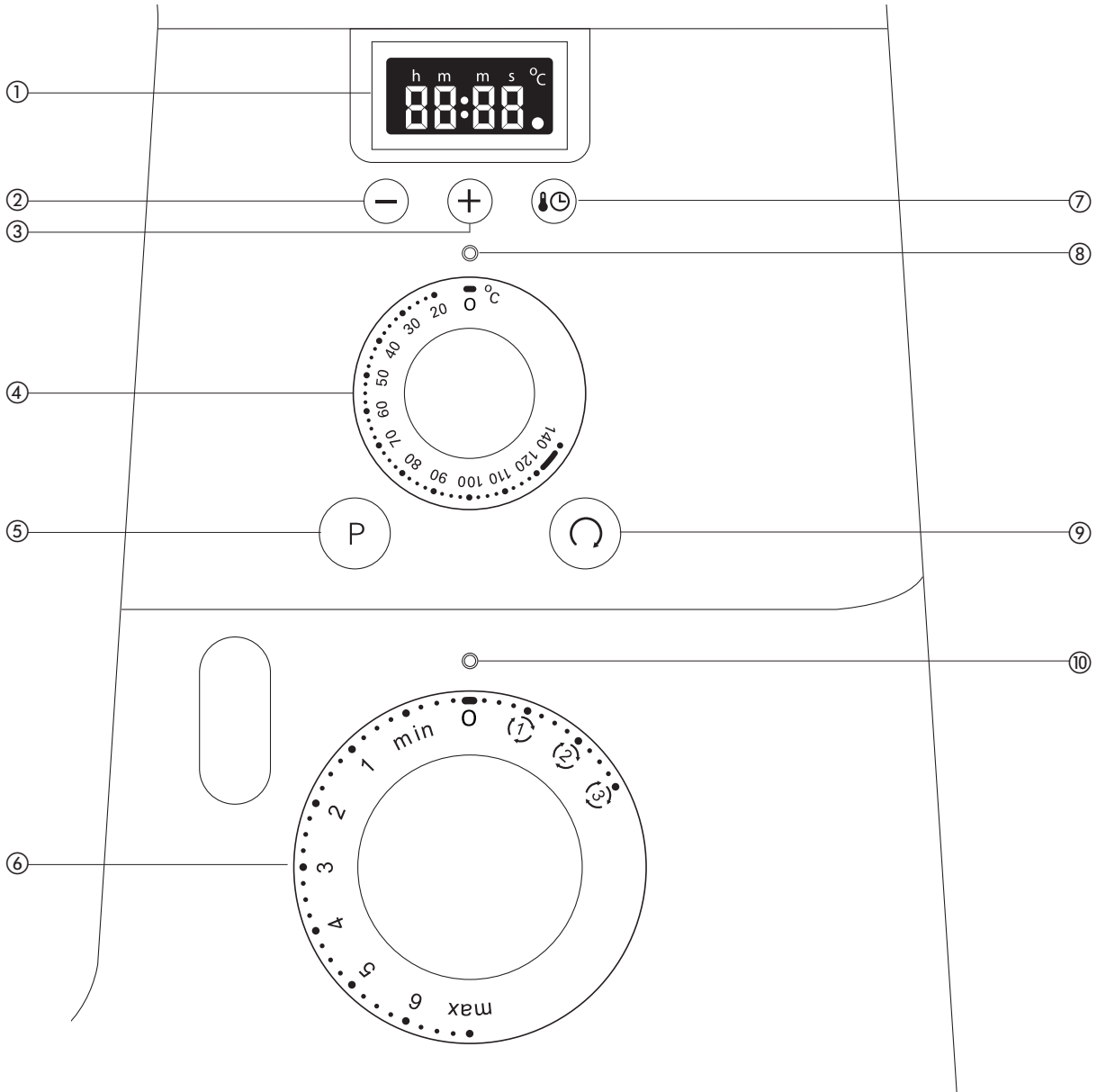
26 tapis de protection du plan de travail

27 clé de serrage



commandes

- ① affichage minuteur/température
- ② bouton diminuer la minuterie
- ③ bouton augmenter la minuterie
- ④ contrôle de la température
- ⑤ bouton pulse/vitesse haute, fouet haute température
- ⑥ réglage de la vitesse
- ⑦ bouton de sélection minuteur/température
- ⑧ voyant indicateur de température
- ⑨ bouton 'fold'
- ⑩ voyant indicateur de vitesse



ajuster la hauteur des accessoires

Veillez vous référer à la page 44 pour l'assemblage du batteur.

Fouet, batteur K en inox, mélangeur

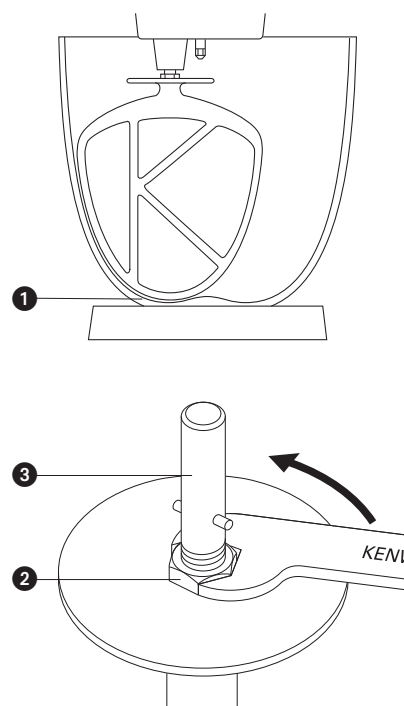
Pour une meilleure performance, le fouet, le batteur K et le mélangeur doivent **presque** toucher le fond du bol **1**. Si nécessaire, ajuster la hauteur à l'aide de la clé de serrage fournie.

Voici comment :

- 1 Débrancher l'appareil.
- 2 Soulever la tête du batteur et insérer le fouet, le batteur ou le mélangeur.
- 3 Abaisser la tête du batteur. Si la hauteur doit être ajustée, soulever la tête du batteur et retirer l'accessoire.
- 4 Utiliser la clé pour desserrer l'écrou **2** afin de pouvoir ajuster l'axe **3**. Pour baisser l'accessoire, tourner l'axe dans le sens inverse des aiguilles d'une montre. Pour le lever par rapport au fond du bol, tourner l'axe dans le sens des aiguilles d'une montre.
- 5 Resserrer l'écrou.
- 6 Insérer l'accessoire dans la tête du batteur. (Vérifier sa position, voir ci-dessus).
- 7 Répétez les étapes précédentes jusqu'à ce que l'accessoire soit correctement placé. Resserrer alors l'écrou fermement.

batteur souple haute température – cet accessoire doit toucher le fond du bol.

crochet de pétrissage – cet outil est réglé en usine et ne devrait pas nécessiter d'ajustement.



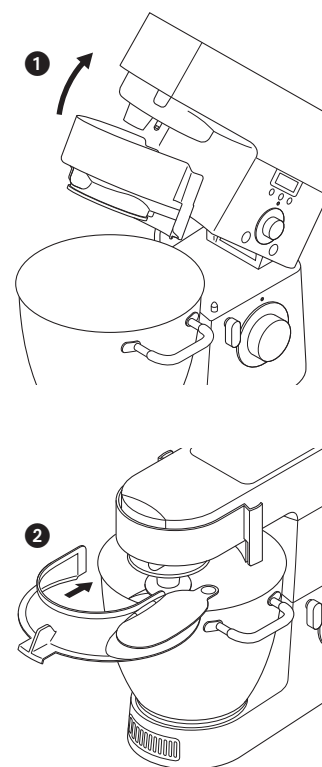
Installation et utilisation du couvercle anti-projections

L'ensemble du couvercle anti-projection consiste de deux éléments : le protège-chaueur et le couvercle anti-éclaboussures.

Le protège-chaueur doit être installé pendant les opérations de cuisson sinon le batteur ne pourra pas fonctionner et le code d'erreur E:03 sera affiché. Le protège-chaueur protège la tête du batteur de la vapeur produite par la cuisson.

Si nécessaire, le protège-chaueur et le couvercle anti-projections peuvent être installés pour empêcher les ingrédients de sortir du bol, par exemple quand vous mélangez des ingrédients légers comme de la farine ou du sucre glace, ou quand vous cuisez des aliments pour lesquels la vapeur doit rester dans le bol. Le couvercle ne doit pas être installé sur le bol sans le protège-chaueur.

- 1 Levez la tête du batteur jusqu'en position verrouillée.
 - 2 Poussez le protège-chaueur vers le haut sur la partie inférieure de la tête du batteur **1** jusqu'à sa mise en place. Le protège-chaueur ne doit s'utiliser que si le joint en caoutchouc est correctement installé.
 - 3 Installez le bol sur le socle.
 - 4 Abaissez la tête du batteur.
 - 5 Placez le couvercle anti-projections sur le bord du bol et faites-le glisser vers l'avant jusqu'à sa mise en place complète. **2**.
 - Pendant la préparation du mélange, on peut ajouter des ingrédients directement dans le bol par la cheminée d'alimentation.
 - 6 Pour retirer le couvercle, faites-le simplement glisser vers vous.
 - 7 Pour retirer le protège-chaueur, levez la tête du batteur jusqu'en position verrouillée. Retirez l'accessoire, puis tirez le protège-chaueur vers le bas de la partie inférieure de la tête du batteur.
- Note : Ne mettre ou retirer le protège-chaueur que lorsque la tête du batteur est en position verrouillée.



le batteur

les accessoires du batteur et quelques-unes de leurs utilisations possibles

- batteur K • Pour la confection de gâteaux, biscuits, pâtes, glaçages, garnitures, éclairs et purée de pommes de terre.
- fouet • Pour les œufs, les crèmes, les pâtes à frire, les gâteaux (type génoise) sans matière grasse, les meringues, les cheese-cakes, les mousses, les soufflés. N'utilisez pas le fouet pour les mélanges épais (comme par exemple pour travailler les matières grasses et le sucre) car vous pourriez l'endommager.
- crochet de pétrissage • Pour les mélanges à base de levure.
- batteur souple haute température • Convient à de nombreuses préparations, en particulier la crème anglaise, les œufs brouillés et les sauces. Idéal pour racler les mélanges chauds ou froids sur les côtés du bol pendant le mélange. Convient également pour les légumes sautés.
- mélangeur • Utile pendant la cuisson pour maintenir la consistance des ingrédients, par ex. poulet, poisson, légumes et fruits.

pour utiliser le batteur

Avant d'utiliser le batteur, assurez-vous que la vitesse et la température sont réglées sur 'O'.

- 1 Tournez la manette pour soulever la tête du batteur dans le sens des aiguilles d'une montre **1** et relevez la tête du batteur jusqu'à ce qu'elle s'enclenche en position.
 - 2 Placer l'accessoire dans l'orifice, localisez le sillon dans lequel il s'insère puis tourner jusqu'à ce qu'il se verrouille en position **2**.
 - 3 Posez le bol sur la base, appuyez et tournez dans le sens des aiguilles d'une montre **4**.
 - 4 Pour abaisser la tête du batteur, soulevez-la légèrement, puis tournez la manette dans le sens des aiguilles d'une montre. Abaissez dans la position verrouillée.
- pour retirer un accessoire • Effectuez l'étape 2 ci-dessus à l'envers. (Utilisez des gants à four pour retirer les accessoires après la cuisson).
- 5 Branchez le robot. Les voyants indicateurs de vitesse et de température s'allument brièvement. L'écran affichera **88:88**, puis se videra, laissant l'indicateur de marche allumé **■**.
 - 6 Réglez la vitesse désirée (voir les vitesses recommandées en page 45). Le batteur s'allume et le voyant indicateur de la vitesse clignote. Le minuteur compte en secondes. La vitesse peut être changée à tout moment pendant que le batteur fonctionne.
 - 7 Arrêtez le batteur en tournant le bouton de réglage des vitesses sur la position 'O'.

Important – Si la tête du batteur est relevée pendant le fonctionnement, le batteur s'arrête automatiquement et émet un bip. Il ne redémarrera pas quand la tête du batteur sera abaissée. Pour relancer le robot, tournez le bouton de vitesse en position 'O' puis re-sélectionnez une vitesse.

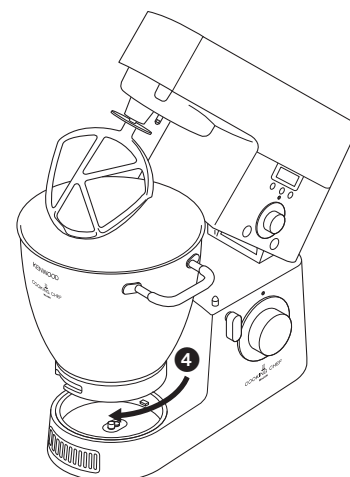
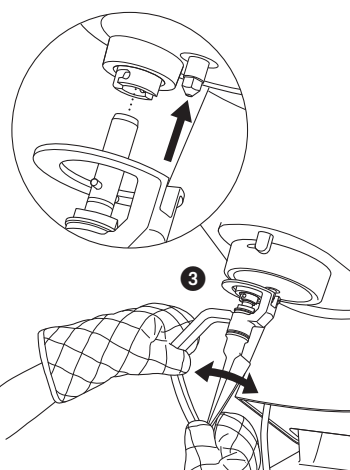
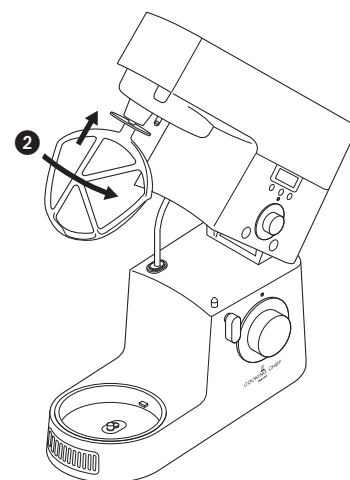
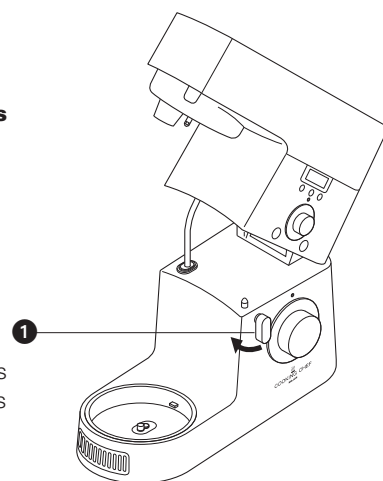
bouton 'pulse'

Le bouton 'pulse' ne peut être utilisé que lorsque la vitesse est réglée sur 'O'.

Appuyez sur le bouton 'pulse' **P** et le batteur fonctionnera à la vitesse maximum tant que vous appuierez sur le bouton. Si le contenu du bol est à une température supérieure à 60°C, la vitesse augmentera graduellement. L'appareil émettra un bip et les voyants indicateurs de vitesse et de température clignoteront rapidement.

bouton 'fold'

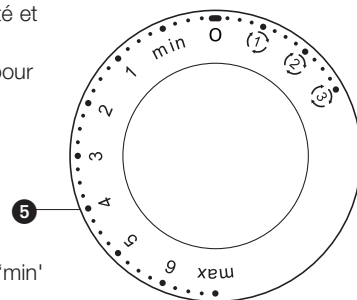
Si vous appuyez brièvement sur le bouton 'fold' **F**, le batteur se mettra automatiquement en vitesse minimum pour deux battements, puis s'arrêtera. Vous pouvez appuyer longuement sur le bouton pour prolonger l'opération, ou appuyer plusieurs fois si nécessaire pour mélanger les ingrédients. Remarque : Si vous appuyez sur le bouton 'fold' pendant que le moteur fonctionne, l'appareil accomplira la fonction 'fold' standard puis se remettra à la vitesse sélectionnée.



contrôle de la vitesse 5

Les vitesses suivantes sont indicatives et peuvent varier suivant la quantité et la température des ingrédients à mélanger.

Tournez le bouton des vitesses dans le sens des aiguilles d'une montre pour passer de la vitesse minimum à la vitesse maximum.



- batteur K
- **travailler les matières grasses en crème avec le sucre** commencez sur 'min', augmentez progressivement jusqu'au 'max'.
 - **incorporer les œufs à une crème** 4 - 'max'.
 - **incorporer la farine, les fruits, etc** min - 1
 - **battre tous les ingrédients d'un gâteau** commencez à la vitesse 'min' et augmentez progressivement jusqu'au 'max'.
 - **incorporer les matières grasses à la farine** min - 2.
- batteur souple haute température
- **travailler les matières grasses en crème avec le sucre** commencez sur 'min', augmentez progressivement jusqu'à 3.
 - **racler les mélanges chauds ou froids sur les côtés du bol** commencez sur 'min', augmentez progressivement jusqu'à 3.
 - **faire sauter des légumes, mélanger un risotto, une polenta, etc**, sélectionnez (1) .
- fouet
- augmentez progressivement jusqu'au 'max'.
- crochet de pétrissage
- commencez sur 'min', augmentez progressivement jusqu'à 1.
- mélangeur
- utilisez seulement les réglages (1), (2), (3) .

réglages de mélange

Pour sélectionner les réglages de mélange, tournez le bouton de contrôle des vitesses dans le sens inverse des aiguilles d'une montre. Ces réglages conviennent surtout quand le robot est en mode cuisson. Remarque : pour utiliser ces réglages, tous les couvercles de l'appareil doivent être installés.

- (1) – Utilisez ce réglage pour une vitesse lente constante, par exemple, pour les sauces.
- (2) – Le batteur fonctionne par intermittence à vitesse lente toutes les 5 secondes pour environ 2 tours.
- (3) – Le batteur fonctionne par intermittence à vitesse lente toutes les 30 secondes, par exemple, pour mélanger des casseroles.

Remettre le bouton sur la position 'O' pour arrêter l'opération.

Note:

- Quand une vitesse est sélectionnée, le voyant indicateur de vitesse clignote.
- L'appareil peut émettre un bip quand il fonctionne. C'est normal.

utiliser le robot pour cuisiner

IMPORTANT

- Vérifiez que la zone d'induction, les capteurs de température et la surface de la base du bol sont propres. A défaut, le capteur de température fonctionnera mal, produisant une mauvaise cuisson.
 - Vérifiez que tous les couvercles de l'appareil y compris le protège-chaleur sont installés. S'ils ne sont pas correctement placés, la fonction cuisson ne marchera pas.
 - Utilisez des gants à four pour retirer le bol et les accessoires après la cuisson.
- 1 Assemblez le batteur suivant les instructions en page 44.
 - 2 Tournez le bouton de réglage de la température au niveau souhaité.
 - **La cuisson ne commencera pas avant qu'une vitesse ne soit sélectionnée.**
 - 3 Réglez la vitesse souhaitée, ce qui allumera le moteur et la plaque chauffante. Les deux voyants lumineux clignoteront.
 - 4 Une fois la température atteinte, le voyant indicateur de température restera allumé continuellement. Cependant, durant la cuisson, le voyant se mettra à clignoter si la température change, indiquant que l'appareil essaie de maintenir la température souhaitée (veuillez lire l'introduction page 39).
 - Si la température du bol excède les 60°C, la vitesse sera automatiquement limitée pour des raisons de sécurité même si une vitesse supérieure a été sélectionnée. La vitesse n'augmentera pas automatiquement quand la température retombera sous les 60°C. Le bouton de contrôle de vitesse doit d'abord être éteint et la vitesse désirée re-sélectionnée.
 - Remarque : chaque fois que le bouton de sélection de température/minuteur est appuyé, l'écran affiche alternativement le temps et la température du contenu du bol.
 - 5 Pour arrêter ou interrompre le processus de mélange et de cuisson, remettre le réglage de la vitesse en position 'O'. Pour reprendre l'opération, sélectionner une vitesse.

astuces

- **Certaines recettes, en particulier à forte teneur en eau, ne pourront pas atteindre une température de cuisson supérieure à 100°C (la température d'ébullition de l'eau).**
- Pour ajouter des ingrédients dans le bol pendant la cuisson, diminuez la vitesse et ajoutez les ingrédients lentement et régulièrement.
- Pour chauffer rapidement une sauce, utilisez le réglage de mélange continu (T).
- Vous obtiendrez peut-être de meilleurs résultats en changeant d'accessoire pour différentes procédures au cours de votre préparation d'un repas. Par exemple, utilisez le batteur souple haute température pour frire des légumes puis le mélangeur pour cuisiner des morceaux de viande ou de volaille.
- Si vous utilisez le couvercle anti-projections pendant la cuisson, enlevez-le toujours avant de soulever la tête du batteur. Faites attention à la condensation qui se forme sur le couvercle et le protège-chaueur.
- Soulevez la tête du batteur lentement pour permettre au liquide se trouvant sous le protège-chaueur de couler dans le bol.
- Il existe trois fonctions de mélange vous permettant de choisir le bon rythme de mélange pour chaque recette. Certaines recettes demandent un mélange constant pour éviter que les ingrédients ne collent au fond du bol, alors que d'autres demandent un mélange intermittent pour maintenir la consistance des ingrédients.
- Pour une performance optimale, ajustez la hauteur des accessoires (voir page 43).
- Le temps de cuisson maximal est de trois heures, après quoi le batteur s'éteindra automatiquement.
- Il est possible de cuire des aliments sans accessoire installé, mais une vitesse doit être sélectionnée. Cela peut être utile pour faire fondre des ingrédients, comme le beurre ou le chocolat.
- Chaque fois que le bouton de sélection de température/minuteur est appuyé, l'écran affiche alternativement le temps de cuisson et la température du contenu du bol

Contrôle du fouet à température et vitesse haute

Pour mélanger au fouet à haute vitesse et à une température supérieure à 60°C, réglez la vitesse désirée puis appuyez sur le bouton 'pulse' et maintenez-le appuyé. L'appareil émet un bip et les voyants indicateurs de température et de vitesse clignotent rapidement. La vitesse du fouet augmente lentement jusqu'à atteindre la vitesse désirée. Répétez la procédure pour augmenter davantage la vitesse. Vous pouvez ensuite réduire la vitesse du fouet ou éteindre le batteur normalement.

Cette fonction DOIT s'utiliser uniquement avec le fouet. N'excédez pas la capacité maximale de 3 litres et assurez-vous que le couvercle anti-projections est en place. L'appareil ne doit pas rester sans surveillance.

après la cuisson

- Faites attention en manipulant ou en touchant toute partie de l'appareil quand il est utilisé en mode cuisson ou après la cuisson, EN PARTICULIER, LE BOL, LE COUVERCLE ANTI PROJECTIONS ET LES ACCESSOIRES car ils restent CHAUDS longtemps après que l'appareil a été éteint. Utilisez les poignées pour retirer et porter le bol. Utilisez un gant anti-chaueur pour manipuler le bol et les accessoires chauds.
- Le dessous du bol restera chaud longtemps après la fin de la cuisson. Faites attention en manipulant le bol et utilisez le tapis de protection pour protéger les surfaces sensibles à la chaleur.

Affichage

Pour votre sécurité, le batteur est équipé de 5 capteurs de sécurité séparés qui fonctionnent quand le robot est en mode cuisson. Si le batteur est allumé et qu'un capteur de sécurité est activé, l'écran indiquant le temps ou la température affichera un message d'erreur, par ex : 'E:01'. L'appareil émettra un bip et le batteur ne fonctionnera pas. Consultez les messages d'erreur suivants :-

Message d'erreur	Description	Solution
E:01	La tête du batteur est en position relevée. Quand la tête est relevée, un capteur désactive le moteur et la cuisson. Si la vitesse est réglée sur autre chose que la position éteinte 'O' quand la tête est relevée, ce message s'affiche et le moteur ne démarre pas.	Abaissez la tête. Mettez le bouton de contrôle de la vitesse en position 'O', puis sélectionnez la vitesse désirée.
E:02	Le bol n'est pas en place. La fonction cuisson ne marche que si l'on utilise le bol. Le bol doit aussi être correctement installé. Les capteurs de sécurité détectent si le bol fourni n'est pas utilisé ou s'il est mal installé.	Assurez-vous que vous utilisez bien le bol du robot Kenwood Chef. Vérifiez que le bol est bien installé. Mettez le bouton de contrôle de la vitesse en position 'O', puis sélectionnez la vitesse désirée.
E:03	Le protège-chaaleur n'est pas installé. La fonction cuisson est désactivée si le protège-chaaleur n'est pas correctement installé.	Assurez-vous que le protège-chaaleur est correctement installé. Mettez le bouton de contrôle de la vitesse en position 'O', puis sélectionnez la vitesse désirée.
E:04	Les couvercles de la sortie lente et des sorties ultra-rapide et moyenne ne sont pas installés. Ces couvercles sont munis de capteurs de sécurité. Si les couvercles ne sont pas correctement installés, la plaque chauffante s'éteint, et si des fonctions de mélange sont sélectionnées, le moteur se met à tourner en continu. Les vitesses de mélange du minimum au maximum fonctionneront en continu.	Assurez-vous que tous les couvercles sont correctement installés. Mettez le bouton de contrôle de la vitesse en position 'O', puis sélectionnez la vitesse désirée.
E:09	Problème des capteurs de température. Si le système de contrôle de la chaleur détecte une température du bol plus élevée que prévu pendant une utilisation normale, le moteur et la plaque chauffante s'éteignent automatiquement.	Mettez le bouton de contrôle de la vitesse en position 'O', débranchez l'appareil et laissez-le refroidir. Vérifiez que la base du bol et les capteurs de températures sont propres. Rebranchez et allumez l'appareil comme d'habitude.
E:10	Problème de vitesse du moteur ou de surchauffe. Si le moteur cale ou devient trop chaud, le système de contrôle éteint automatiquement le moteur et la plaque chauffante.	Mettez le bouton de contrôle de la vitesse en position 'O' et débranchez l'appareil. Retirez tout ce qui pourrait faire obstruction et faire caler le moteur. Assurez-vous que toutes les grilles de ventilation ne sont pas obstruées. Rebranchez et allumez.

Si ces codes d'erreur ou d'autres continuent de s'afficher, contactez le service après-vente Kenwood.

utiliser le minuteur

Le minuteur peut être utilisé en mode cuisson ou sans cuisson. Si aucune durée n'est sélectionnée, le minuteur compte automatiquement en intervalles d'une seconde pendant que le batteur fonctionne. La durée maximale d'utilisation est de trois heures.

- 1 Branchez l'appareil. L'écran affiche brièvement **88:88**, puis se vide, laissant l'indicateur de marche allumé .
- 2 Appuyez sur l'un de bouton + ou – et 0:00 s'affichera à l'écran.
- 3 Appuyez sur l'un de bouton + ou – jusqu'à ce que le temps désiré s'affiche. Le minuteur compte en intervalles de 5 secondes. Si l'on appuie sur le bouton de manière continue, les chiffres changeront plus rapidement. Une durée maximum de trois heures peut être programmée.
Remarque : Si l'on appuie sur le bouton + quand le minuteur est sur 3:00, le temps affiché passe à 0:00. Si l'on appuie sur le bouton – quand le minuteur est sur 0:00, le temps affiché passe à 3:00.
- 4 Réglez la vitesse désirée, le batteur se mettra en route et le minuteur comptera à rebours par intervalles d'une seconde.
 - L'opération de mélange peut être interrompue à tout moment en tournant le bouton de contrôle de la vitesse en position 'O'. Cela mettra également le minuteur en pause. Le minuteur reprendra son compte à rebours quand le batteur sera remis en marche.
- 5 L'opération de mélange s'arrête automatiquement une fois le temps écoulé et des bips sont émis pendant trois secondes. L'écran clignote pendant cinq secondes puis se vide, laissant l'indicateur de marche allumé .

pour reprogrammer le minuteur

- 1 Remettez le minuteur à zéro en appuyant sur les boutons + et – en même temps (la vitesse doit être réglée en position 'O').
 - Si l'appareil n'est pas utilisé pendant dix minutes, l'écran LCD et la veilleuse se mettent en 'mode sommeil' et tous les écrans s'éteignent. Si un bouton ou un réglage est activé, l'écran reprend son aspect initial.

capacités maximales

pâte Brisée	• Quantité de farine :	910 g
pâte levée	• Quantité de farine :	1,5 kg
	• Poids total :	2,4 kg
pâte levée sucrée	• Quantité de farine :	2,6 kg
	• Poids total :	5 kg
mélange pour cake aux fruits	• Poids total :	4,55 kg
blancs d'œuf	•	16
mode cuisson	•	3 litres

- astuces
- Eteignez l'appareil et raclez fréquemment le bol avec la spatule.
 - Pour battre des œufs, il est conseillé d'utiliser des œufs à température ambiante.
 - Avant de monter les blancs en neige, vérifiez qu'il n'y a pas de restes de graisse et de jaune d'œuf sur le fouet ou dans le bol.
 - Utilisez des ingrédients froids pour la pâte, sauf indication contraire de votre recette.

points importants pour la fabrication du pain

- important
- Ne dépassez jamais les capacités maximales car vous risqueriez de surcharger l'appareil.
 - Si vous entendez l'appareil forcer, éteignez-le, retirez la moitié de la pâte et travaillez chaque moitié séparément.
 - Les ingrédients se mélangeront mieux si vous mettez les liquides en premier.

guide de dépannage en mode cuisson

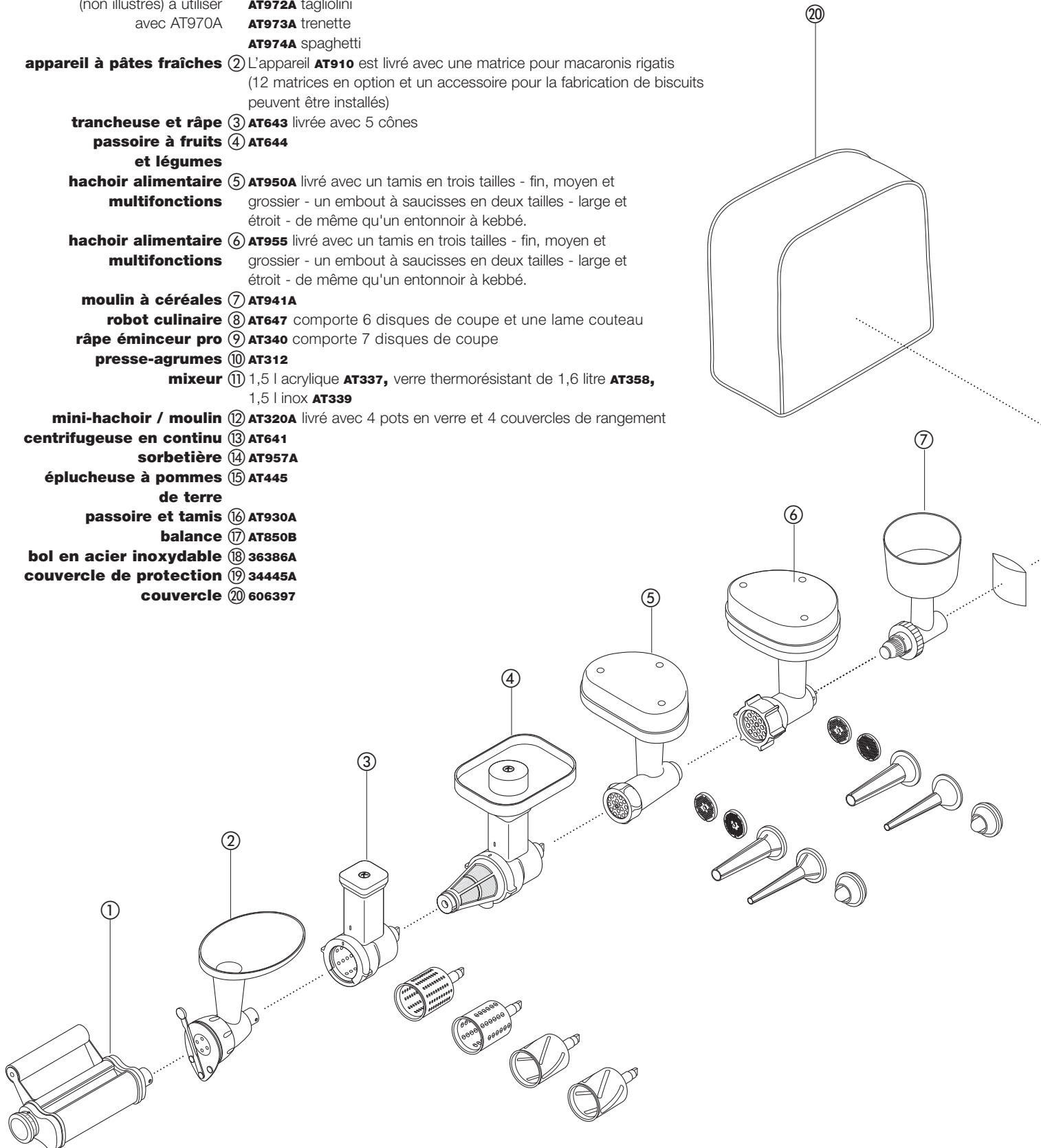
Problème	Cause	Solution
Le batteur ne fonctionne pas en mode cuisson, l'appareil affiche un message d'erreur et émet un bip.	Un des capteurs de sécurité a été activé.	Voir le tableau des messages d'erreur en page 47. <ul style="list-style-type: none"> • Vérifiez que la tête du batteur est abaissée et verrouillée. • Vérifiez que tous les couvercles sont correctement installés • Vérifiez que le protège-chaleur est correctement installé. • Vérifiez que le bol du robot est correctement installé.
Une température a été sélectionnée, mais le contenu du bol ne chauffe pas (le voyant indicateur de température n'est pas allumé).	La vitesse n'a pas été sélectionnée.	Sélectionner une vitesse.
Le batteur change de vitesse pendant la cuisson.	La vitesse est automatiquement limitée quand le contenu du bol atteint les 60°C.	C'est une mesure de sécurité.
Des ingrédients brûlent au fond du bol.	<ol style="list-style-type: none"> 1 La température sélectionnée est peut-être trop élevée. 2 Un accessoire incorrect est utilisé. 3 La fonction mélange est trop lente. 4 L'accessoire n'est peut-être pas positionné assez bas dans le bol. 5 Le minuteur a été réglé sur une durée trop longue. 6 Le capteur et/ou le dessous du bol ne sont peut-être pas propres. 	<ol style="list-style-type: none"> 1 Réduire la température sélectionnée ou cuire à température plus basse. 2 Vérifiez que l'accessoire le plus approprié est utilisé. 3 Augmentez la fréquence de la fonction mélange ou passez à un brassage continu. 4 Ajustez l'accessoire. 5 Cuire pendant moins longtemps (assurez-vous que les aliments soient bien cuits) 6 Vérifiez que ces zones sont propres et sèches.
Les aliments ne gardent pas leur consistance.	<ol style="list-style-type: none"> 1 Température sélectionnée trop élevée. 2 Fonction mélange trop rapide. 3 Les ingrédients ont cuit trop longtemps. 4 Accessoire incorrect utilisé. 	<ol style="list-style-type: none"> 1 Réduisez la température 2 Réduisez la vitesse de mélange. 3 Réduisez le temps de cuisson (assurez-vous que les aliments soient bien cuits) 4 Vérifiez que l'accessoire le plus approprié est utilisé.
Vitesse de mélange irrégulière.	1 Ingrédients trop gros ou trop durs.	<ol style="list-style-type: none"> 1 Coupez les ingrédients en plus petits morceaux, dénoyautez les fruits, mélangez doucement les ingrédients sans accessoire (mais sélectionnez une vitesse). 2 Ajoutez les ingrédients une fois la tête du batteur abaissée. 3 Vérifiez que l'accessoire le plus approprié est utilisé.
Des ingrédients froids ont été ajoutés à un mélange chaud, mais l'affichage de la température ne répond pas rapidement.	Si le contenu du bol n'est pas mélangé uniformément, il y aura des variations de température à l'intérieur du bol.	<ol style="list-style-type: none"> 1 Laissez le temps aux ingrédients d'être bien mélangés. 2 Augmentez la vitesse de mélange.
Difficulté à fermer la tête du batteur avec des ingrédients dans le bol.	Des ingrédients durs, comme du chocolat au fond du bol empêchent la tête du batteur de se verrouiller.	Ajoutez les ingrédients une fois la tête du batteur abaissée.
Le batteur fonctionne en continu quand mélange (2) ou mélange (3) sont sélectionnés.	Couvercles des sorties mal installés.	Vérifiez que les couvercles de l'appareil sont bien installés.
La vitesse du moteur est limitée quand on ajoute des accessoires.	Bol chaud installé.	Retirez le bol ou laissez le bol refroidir en dessous de 60°C.

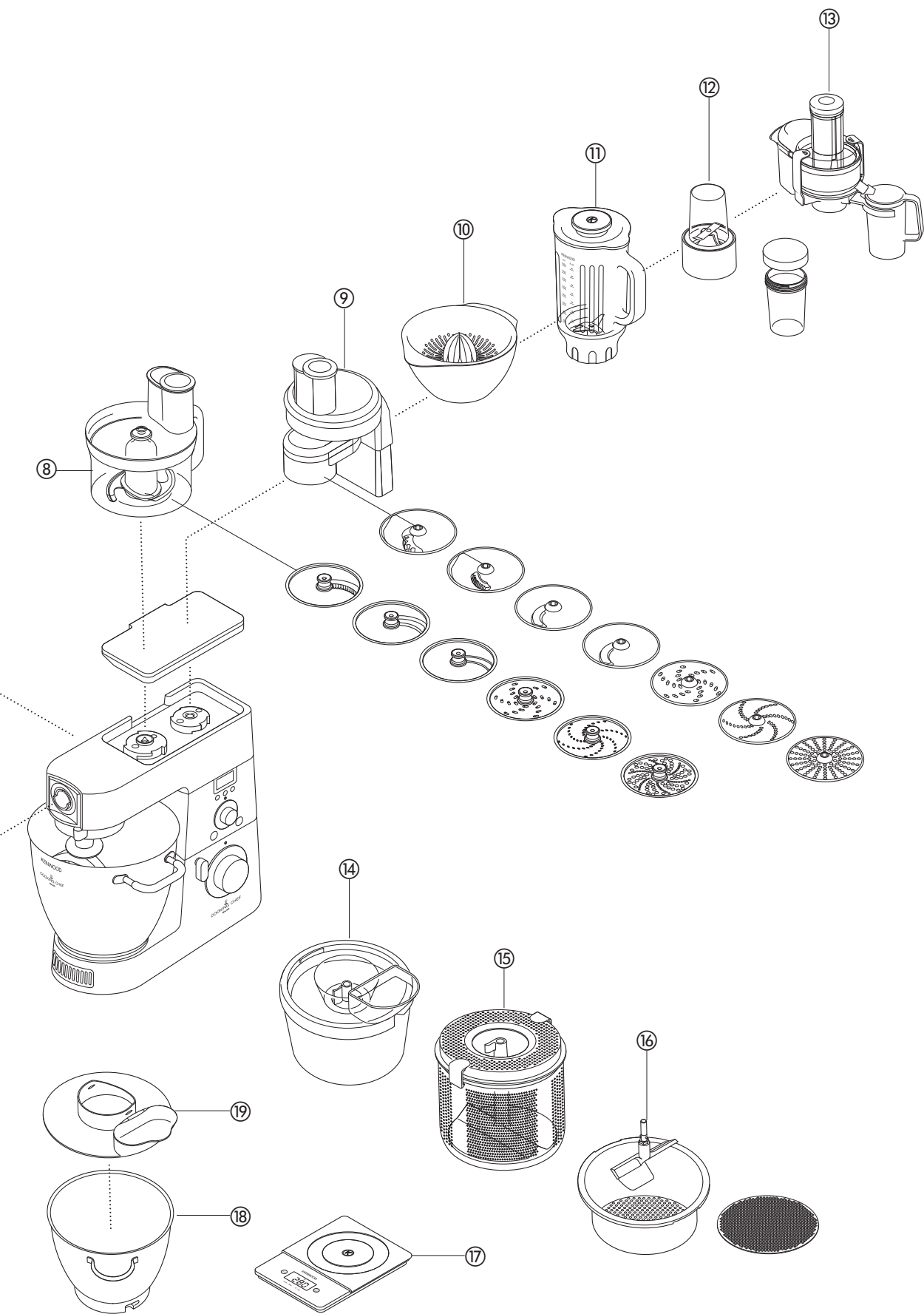
accessoires optionnels disponibles

Si vous souhaitez acheter un accessoire qui n'était pas livré avec votre appareil, voir la rubrique service clientèle.

accessoire code accessoire

- appareil à pâtes plates** ① **AT970A**
 Accessoires supplémentaires pour pâtes (non illustrés) à utiliser avec AT970A
AT971A tagliatelle
AT972A tagliolini
AT973A trenette
AT974A spaghetti
- appareil à pâtes fraîches** ② L'appareil **AT910** est livré avec une matrice pour macaronis rigatis (12 matrices en option et un accessoire pour la fabrication de biscuits peuvent être installés)
- trancheuse et râpe** ③ **AT643** livrée avec 5 cônes
passoire à fruits et légumes ④ **AT644**
- hachoir alimentaire multifonctions** ⑤ **AT950A** livré avec un tamis en trois tailles - fin, moyen et grossier - un embout à saucisses en deux tailles - large et étroit - de même qu'un entonnoir à kebbé.
- hachoir alimentaire multifonctions** ⑥ **AT955** livré avec un tamis en trois tailles - fin, moyen et grossier - un embout à saucisses en deux tailles - large et étroit - de même qu'un entonnoir à kebbé.
- moulin à céréales** ⑦ **AT941A**
robot culinaire ⑧ **AT647** comporte 6 disques de coupe et une lame couteau
râpe éminceur pro ⑨ **AT340** comporte 7 disques de coupe
presse-agrumes ⑩ **AT312**
mixeur ⑪ 1,5 l acrylique **AT337**, verre thermorésistant de 1,6 litre **AT358**, 1,5 l inox **AT339**
- mini-hachoir / moulin centrifugeuse en continu** ⑫ **AT320A** livré avec 4 pots en verre et 4 couvercles de rangement
sorbetière ⑬ **AT641**
éplucheuse à pommes de terre ⑭ **AT957A**
passoire et tamis ⑮ **AT445**
balance ⑯ **AT930A**
bol en acier inoxydable ⑰ **AT850B**
couverture de protection ⑱ **36386A**
couverture ⑳ **34445A**
couverture ㉑ **606397**

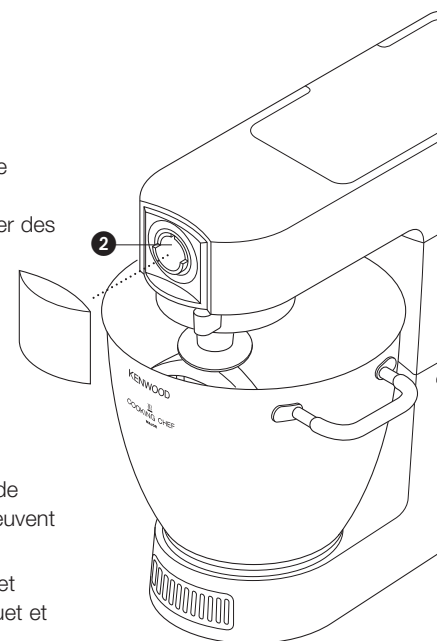




nettoyage de l'appareil et service après-vente

entretien et nettoyage

- Eteignez et débranchez toujours votre appareil avant de le nettoyer.
- Un peu de graisse peut apparaître à l'**orifice 2** lors de la première utilisation. C'est normal, il vous suffit de l'essuyer.
- Les surfaces en métal des capteurs de température peuvent montrer des signes d'usure lors d'une utilisation normale. Cela n'affecte pas les performances de l'appareil.
- Ne laissez pas le batteur souple haute température installé dans le mixeur quand celui-ci n'est pas utilisé.



robot, couvercles des sorties
batteur souple haute température

- Essuyez avec un chiffon humide, puis séchez.
- N'utilisez jamais d'abrasifs et ne les plongez jamais dans l'eau.
- Retirez toujours la lame du batteur souple de l'accessoire avant le nettoyage.
- Lavez la lame du batteur souple et l'accessoire dans de l'eau chaude savonneuse, puis séchez minutieusement. Autrement, les pièces peuvent être passées au lave-vaisselle.

Remarque : Veuillez inspecter l'état du corps de l'accessoire avant et après utilisation ; vérifiez aussi régulièrement l'état de la lame du fouet et remplacez-la en cas de signe d'usure.

bol, accessoires, couvercle
anti-projections

- Lavez à la main puis essuyez, ou lavez en lave-vaisselle.
- N'utilisez jamais de brosse métallique, de paille de fer ou de chlore pour nettoyer votre bol en inox. Utilisez du vinaigre pour enlever le calcaire.
- Si des ingrédients sont restés collés ou brûlés au fond, enlevez le maximum à l'aide de la spatule fournie. Remplissez le bol d'eau chaude savonneuse et laissez tremper. Retirez les dépôts récalcitrants à l'aide d'une brosse en nylon.

orifice d'écoulement

- Toute décoloration du bol n'affecte pas sa performance.
- Vérifiez que cet endroit n'est pas obstrué par des déchets. Si nécessaire, nettoyez-le avec un goupillon ou un coton-tige.

capteurs de température

- Essuyez avec un chiffon humide, puis séchez minutieusement. N'utilisez jamais d'abrasifs ou d'instruments pointus pour nettoyer les capteurs.

service après-vente

- Si le cordon est endommagé, il doit être remplacé, pour des raisons de sécurité, par Kenwood ou par un réparateur agréé Kenwood.

Si vous avez besoin d'aide concernant :

- l'utilisation de votre appareil
- l'entretien ou les réparations

Contactez le magasin où vous avez acheté votre appareil.

- Conçu et développé par Kenwood au Royaume-Uni.
- Fabriqué en Chine.



**AVERTISSEMENTS POUR L'ÉLIMINATION CORRECTE DU
PRODUIT AUX TERMES DE LA DIRECTIVE EUROPÉENNE
2002/96/EC.**

Au terme de son utilisation, le produit ne doit pas être éliminé avec les déchets urbains.

Le produit doit être remis à l'un des centres de collecte sélective prévus par l'administration communale ou auprès des revendeurs assurant ce service.

Éliminer séparément un appareil électroménager permet d'éviter les retombées négatives pour l'environnement et la santé dérivant d'une élimination incorrecte, et permet de récupérer les matériaux qui le composent dans le but d'une économie importante en termes d'énergie et de ressources. Pour rappeler l'obligation d'éliminer séparément les appareils électroménagers, le produit porte le symbole d'un caisson à ordures barré.

recettes

Voir points importants pour la fabrication du pain en page 48.

Pain blanc *pâte levée*

- ingrédients
- 1,3 kg de farine
 - 15 ml (3 cc) sel
 - 25 g de levure fraîche (levure de boulanger) ou 15 g/20 ml de levure sèche + 5 ml (1 cc) de sucre
 - 750 ml d'eau chaude à 40°C. Utilisez un thermomètre ou ajoutez 250 ml d'eau bouillante à 500 ml d'eau froide.
 - 25 g de saindoux

- méthode
- 1 **levure sèche** (à reconstituer) : versez l'eau chaude dans le bol. Puis ajoutez la levure et le sucre et laissez reposer pendant environ 10 minutes jusqu'à ce que le mélange obtenu soit mousseux.
levure fraîche : émietter dans la farine.
autres types de levure : reportez-vous aux instructions du fabricant.
 - 2 Versez le liquide dans le bol. Puis ajoutez la farine (avec la levure fraîche le cas échéant), le sel et le saindoux.
 - 3 Travaillez à vitesse minimum pendant 45 à 60 secondes, puis passez à la vitesse 1, ajoutant de la farine si nécessaire, jusqu'à ce qu'une pâte soit formée.
 - 4 Pétrir pendant encore 3 à 4 minutes à vitesse 1 jusqu'à ce que la pâte soit lisse et élastique et laissez les côtés du bol propres.
 - 5 Versez la pâte dans un moule en polyéthylène préalablement beurré ou dans un bol et recouvrez d'un torchon. Laissez reposer dans un endroit chaud jusqu'à ce que la pâte ait doublé de volume.
 - 6 Retravaillez pendant 2 minutes à vitesse 1.
 - 7 Remplissez à moitié quatre moules de 450 g préalablement beurrés ou roulez la pâte en petits pains. Recouvrez d'un torchon et laissez reposer dans un endroit chaud jusqu'à ce que la pâte ait doublé de volume.
 - 8 Faites cuire à 230°C/Thermostat 8 pendant 30 à 35 minutes *pour les miches* ou 10 à 15 minutes *pour les petits pains*.
- Lorsque le pain est cuit, il doit sonner creux quand on le tapote sur sa base.

pain blanc *pâte levée sucrée*

- ingrédients
- 2,6 kg de farine ordinaire
 - 1,3 litre de lait
 - 300 g de sucre
 - 450 g de margarine
 - 100 g de levure fraîche ou 50 g de levure sèche
 - 6 œufs battus
 - 5 pincées de sel

- méthode
- 1 Fondre la margarine dans le lait et porter à 40°C.
 - 2 **levure sèche** (à reconstituer) : Ajoutez la levure et le sucre au lait et laissez reposer pendant environ 10 minutes jusqu'à ce que le mélange obtenu soit mousseux.
levure fraîche : émietter dans la farine et ajouter le sucre.
autres types de levure : reportez-vous aux instructions du fabricant.
 - 3 Versez le lait dans le bol. Ajoutez les œufs battus et 2 kg de farine.
 - 4 Mélangez à la vitesse minimum pendant une minute puis à la vitesse 1 pendant une minute supplémentaire. Raclez la pâte.
 - 5 Ajoutez le reste de la farine et mélangez le tout à la vitesse minimum pendant une minute, puis à la vitesse 1 pendant 2 à 3 jusqu'à ce que le mélange soit bien homogène.
 - 6 Remplissez à moitié des moules de 450 g préalablement beurrés ou roulez la pâte en petits pains. Recouvrez d'un torchon et laissez reposer dans un endroit chaud jusqu'à ce que la pâte ait doublé de volume.
 - 7 Faites cuire à 200°C/Thermostat 6 pendant 20 à 25 minutes *pour les miches* ou 15 minutes *pour les petits pains*.
 - 8 Lorsque le pain est cuit, il doit sonner creux quand on le tapote sur sa base.
- Pour environ 10 miches.

recettes *suite*

gâteau aux fraises et aux abricots

- ingrédients : gâteau type génoise
- 3 œufs
 - 75 g de sucre en poudre
 - 75 g de farine ordinaire
- garniture et décoration
- 150 ml de crème fraîche épaisse
 - Sucre selon votre goût
 - 225 g de fraises
 - 225 g d'abricots
- méthode
- 1 Coupez les abricots en deux et retirez les noyaux. Faites-les cuire à petit feu dans très peu d'eau, en ajoutant du sucre selon votre goût, jusqu'à ce qu'ils soient moelleux.
 - 2 Lavez et coupez les fraises en deux.
 - 3 Pour la génoise, battez les œufs et le sucre à la vitesse maximum, jusqu'à ce que le mélange soit de couleur pâle et épais.
 - 4 Retirez le bol et le fouet. Incorporez la farine à la main à l'aide d'une grande cuillère métallique – procédez délicatement pour préserver la légèreté de la génoise.
 - 5 Mettez le mélange obtenu dans deux moules à manqué de 18 cm préalablement beurrés.
 - 6 Faites cuire à 180°C/Thermostat 4 pendant environ 20 minutes jusqu'à ce que le gâteau soit de consistance ferme et élastique lorsque vous le touchez légèrement.
 - 7 Démoulez le gâteau et laissez-le refroidir sur une grille.
 - 8 Fouettez la crème à la vitesse maximale jusqu'à ce qu'elle prenne une consistance ferme. Sucrez selon votre goût.
 - 9 Coupez grossièrement les abricots et un tiers des fraises puis incorporez-les lentement dans la moitié de la crème.
 - 10 Etalez cette préparation sur l'un des biscuits et placez l'autre au-dessus.
 - 11 Recouvrez le gâteau avec le reste de crème et décorez avec les fraises restantes.

meringues

- ingrédients
- 4 blancs d'œufs
 - 250 g de sucre glace, tamisé
 - Recouvrez votre plaque de four de papier de cuisson non collant
- méthode
- 1 Battez les blancs d'œufs et le sucre à la vitesse maximum pendant environ 10 minutes jusqu'à ce que le mélange fasse des pics à la surface quand vous en retirez le fouet.
 - 2 A l'aide d'une cuillère, déposez le mélange sur la plaque (ou utilisez un sac à douille en étoile de 2,5 cm).
 - 3 Faites cuire à 110°C/Thermostat 1/4 pendant environ 4 à 5 heures jusqu'à ce que les meringues soient fermes et croustillantes. Si elles commencent à brunir, laissez la porte du four légèrement entrouverte.
- Conservez les meringues dans une boîte hermétique.

pâte brisée

- ingrédients
- 450 g de farine tamisée avec du sel
 - 5 ml (1cc) de sel
 - 225 g de matière grasse (mélange de saindoux et de margarine directement sorti du réfrigérateur)
 - Environ 80 ml d'eau (4 cs)
 - Ne mélangez pas pendant trop longtemps
- astuce
- 1 Mettez la farine dans le bol. Découpez la matière grasse en morceaux grossiers et ajoutez-la à la farine.
- méthode
- 2 Avec le batteur K en inox, mélangez à vitesse 1 jusqu'à ce que le mélange ressemble à des miettes de pain. Arrêtez avant d'obtenir une apparence grasse.
 - 3 Ajoutez l'eau et mélangez à vitesse minimum. Arrêtez dès que l'eau est incorporée au mélange.
 - 4 Faites cuire à 200°C/Thermostat 6, selon la garniture.

marinade au piment

- ingrédients
- 200g de miel liquide froid (réfrigéré pendant la nuit)
 - 1 piment vert (entier)
 - 5ml (1 cuiller à café) de beurre de cacahuètes
 - sel, poivre
- méthode
- 1 Placez tous les ingrédients dans le mini mixeur/moulin.
 - 2 Attachez l'accessoire au mixeur et laissez les ingrédients se répandre autour de la lame.
 - 3 Appuyez sur Pulse pendant 10 secondes.
 - 4 Utilisez la marinade comme vous le souhaitez.

Deutsch

Vor Gebrauch Ihres Kenwood-Gerätes

- **Lesen Sie diese Anleitung sorgfältig durch und bewahren Sie diese zur späteren Benutzung auf.**
- Entfernen Sie jegliches Verpackungsmaterial und alle Aufkleber.

Ihre Cooking Chef Küchenmaschine von Kenwood

Sicherheit

Wichtiger Hinweis zu elektronischen medizinischen Implantaten

- Wie alle Induktionsheizprodukte erzeugt dieses Gerät Magnetfelder in seiner unmittelbaren Umgebung. Benutzer oder Personen mit Herzschrittmachern oder anderen aktiven Implantaten sollten ärztlichen Rat einholen, bevor sie in Berührung mit dem Gerät kommen, um etwaige Gesundheitsrisiken aufgrund von Unverträglichkeit zu verhindern.
- Das Gerät vor dem Anbringen von Rührelementen/Zubehör, nach Gebrauch und vor dem Reinigen ausschalten und den Netzstecker ziehen.
- Körperteile, Schmuck und lockere Kleidung von beweglichen Teilen und angebrachtem Zubehör fernhalten.
- Niemals Ihre Finger o.ä. in den Klappmechanismus stecken.
- Das Gerät niemals unbeaufsichtigt lassen.
- Niemals ein beschädigtes Gerät benutzen. Überprüfen oder reparieren lassen. Siehe „Wartungs- und Kundendienst“ auf Seite 70.
- Niemals unzulässiges Zubehör oder mehr als ein Zubehörteil gleichzeitig benutzen.
- Niemals die auf Seite 66 angegebenen Höchstmengen überschreiten und bei Verwendung des Induktionsheizers die Schüssel immer nur bis zu ihrer innen angezeigten 3-Liter-Markierung füllen.
- Beim Verwenden eines Zubehörteils die entsprechenden Sicherheits- und Gebrauchsanweisungen lesen.
- Vorsicht beim Anheben dieses Geräts, es ist schwer. Vor dem Anheben sicherstellen, dass der Maschinenkopf verriegelt ist und Schüssel, Rührelemente, Anschlussdeckel und Kabel fest sitzen bzw. gut verstaut sind.
- Niemals das Kabel so herabhängen lassen, dass ein Kind danach greifen könnte.
- Antriebseinheit, Netzkabel und Netzstecker niemals nass werden lassen.
- Vorsicht bei der Berührung irgendwelcher Teile der Maschine im Kochmodus oder nach dem Kochen. Dies gilt **INSBESONDERE FÜR DIE SCHÜSSEL, DEN SPRITZSCHUTZ UND DIE RÜHRELEMENTE**, da diese noch lange nach Ausschalten des Geräts **HEISS** bleiben. Schüssel zum Abnehmen und Tragen an ihren Griffen anfassen. Zum Handhaben der heißen Schüssel und Rührelemente Topflappen verwenden.
- Die Unterseite der Schüssel bleibt noch lange nach dem Erhitzen heiß. Seien Sie daher vorsichtig im Umgang damit und verwenden Sie die Schutzmatte, wenn Sie die Schüssel auf hitzeempfindlichen Oberflächen absetzen.
- Vorsicht mit heißem Dampf, der aus der Schüssel austreten kann, insbesondere beim Öffnen des Spritzschutzes oder Aufklappen des Maschinenkopfes.
- Heißes Mischgut beim Umfüllen vom Rührsystem in den Blender immer erst auf Raumtemperatur abkühlen lassen.
- Nur die Schüssel und das Zubehör benutzen, die zum Lieferumfang dieses Geräts gehören. Die Schüssel niemals mit einer anderen Hitzequelle verwenden.
- Das Gerät niemals im Kochmodus bei leerer Schüssel betreiben.
- Niemals irgendwelche Gegenstände in die Entlüftungsschlitze einführen.
- Bei Gebrauch dieses Geräts sicherstellen, dass es auf einer ebenen Oberfläche und nicht zu nah an der Kante steht. Darauf achten, dass ein Abstand von mindestens 10 cm zu den Wänden besteht und die Entlüftungsschlitze nicht blockiert sind. Nicht unter Hängeschränken aufstellen.
- Zum ordnungsgemäßen und sicheren Betrieb des Induktionskochers vor dem Kochen sicherstellen, dass Schüsselboden und Temperaturfühler sauber und trocken sind.
- Wie bei allen Induktionskochern während des Gebrauchs keine Kreditkarten, magnetischen Medien oder empfindlichen elektronischen Geräte in der Nähe platzieren.
- Das Gerät nicht zum Frittieren benutzen.
- Vor dem Verzehr immer sicherstellen, dass die Speisen gar sind.
- Speisen sollten kurz nach dem Kochen verzehrt oder schnell abgekühlt und so bald wie möglich in den Kühlschrank gestellt werden.
- Dieses Gerät darf weder von physisch noch von geistig behinderten oder in ihrer Bewegung eingeschränkten Personen (einschließlich Kinder) benutzt werden. Auch dürfen Personen die weder Erfahrung noch Kenntnis im Umgang mit dem Gerät haben, dieses erst nach Anweisungen durch eine für ihre Sicherheit zuständige Person in Betrieb nehmen.
- Kinder müssen überwacht werden, damit sie mit dem Gerät nicht spielen.
- Verwenden Sie das Gerät nur für seinen vorgesehenen Zweck im Haushalt. Bei unsachgemäßer Benutzung oder Nichteinhaltung dieser Anweisungen übernimmt Kenwood keinerlei Haftung.

Vor dem Netzanschluss

- Sicherstellen, dass die Netzspannung mit den Angaben auf der Unterseite Ihrer Küchenmaschine übereinstimmt.
- Das Gerät entspricht der EG-Richtlinie 2004/108/EG und der EG-Verordnung Nr. 1935/2004 vom 27/10/2004 über Materialien und Gegenstände, die dazu bestimmt sind, mit Lebensmitteln in Berührung zu kommen.

Vor erstmaligem Gebrauch

Die Teile waschen: Siehe „Pflege und Reinigung“ auf Seite 70.

Einführung

Vielen Dank, dass Sie sich zum Kauf der Küchenmaschine Cooking Chef von Kenwood entschieden haben. Wir hoffen, dass sie Ihnen viele Jahre lang Freude bereiten wird.

Kenwood besitzt fast 60 Jahre Erfahrung und Fachkenntnisse in der Entwicklung von Küchenmaschinen und einer Riesenauswahl von Zubehör. Die Kenwood Chef Küchenmaschinen sind für ihre vielseitigen Einsatzmöglichkeiten bekannt.

Bei der Entwicklung von Cooking Chef sind wir noch einen Schritt weiter gegangen als sonst und haben einen Induktionskocher direkt unter der Rührschüssel integriert. Sie können nun alle Vorteile eines planetarischen „Kaltschüssel“-Rührsystems für die Zubereitung Ihrer Lieblingskuchen, Rühr- und Knetteige genießen und außerdem Ihre Schüssel zum Erwärmen und Kochen von Speisen verwenden. Die Möglichkeiten sind unbegrenzt.

Mit seinem Sortiment von optionalem Zubehör bietet der Kenwood Cooking Chef wirklich ein komplettes System zur Zubereitung von Speisen.

Leistungsstark, zuverlässig, vielseitig, Kenwood.

Was ist Induktionskochen und wie funktioniert es?

Induktionskochen ist eine fortgeschrittene Kochmethode unter Anwendung elektromagnetischer Induktion.

Hierbei wird elektrischer Strom durch eine Kupferspule im Induktionskochbereich geleitet und ein elektromagnetisches Feld erzeugt. Bei Einrasten der Cooking Chef Schüssel wird der Stromkreis durch eine besondere Schicht aus Edelstahl im Boden der Schüssel geschlossen. Dies setzt eine große Menge Wärmeenergie frei, die durch den Inhalt der Schüssel passiert und so die Zutaten erhitzt.

Induktionskochen ist extrem energiesparend, da es lediglich Wärme im Schüsselboden erzeugt. Bei anderen Erhitzungsmethoden wie etwa Gasherden gehen fast 50% der Wärmeenergie an den Seiten des Topfes verloren. Bei Ihrem Cooking Chef fühlt sich der Induktionskochbereich nur während des Kochvorgangs und direkt danach heiß an, da die Hitze vom Inhalt der Schüssel zurückgeleitet wird. Das Induktionskochen ist also sehr effizient, sehr sicher und sehr sauber.

Die Kochfunktion Ihres Kenwood Cooking Chef ist ähnlich wie die eines Topfes auf Ihrem Herd. Der zusätzliche Vorteil besteht jedoch darin, dass der Cooking Chef ihr Kochgut automatisch umrührt und die Kochtemperatur genau nach Ihren Wünschen reguliert, so dass Sie sich anderen Aufgaben in Ihrer Küche widmen können.

Der Cooking Chef bedient sich einer höchst effizienten Induktionstechnologie. Sie werden feststellen, dass die Kochzeiten im Vergleich zu Gas- oder Elektroherden kürzer sind oder Sie bei niedrigeren Temperaturen kochen können. Daran sollten Sie denken, wenn Sie das Gerät zum ersten Mal benutzen oder ein neues Rezept ausprobieren. Wenn Sie mit einer hohen Kochtemperatur starten, müssen Sie den Kochvorgang beobachten und genau wie beim herkömmlichen Kochen gegebenenfalls die Wärmezufuhr reduzieren, um zu verhindern, dass Ihre Speisen verbrennen oder an der Schüssel kleben bleiben. Im Allgemeinen erhitzt der Cooking Chef das Kochgut automatisch in der schnellstmöglichen Zeit auf die gewünschte Temperatur. Es ist daher nicht notwendig, eine höhere Temperatur als erforderlich zu wählen, um die Kochzeiten zu verkürzen. Zu diesem Zeitpunkt sollten Sie auch die Häufigkeit der Rührintervalle einstellen. Bei höheren Kochtemperaturen müssen Sie u.U. die Einstellung (1) für kontinuierliches Rühren wählen. Rühreinstellungen (2) und (3) sorgen dafür, dass die Konsistenz Ihres Kochguts auch bei längeren Garzeiten mit niedrigen Temperaturen gewahrt bleibt.

Ein weiterer wichtiger Punkt ist die Auswahl des richtigen Rührelements. In einem späteren Abschnitt dieses Handbuchs finden Sie Empfehlungen zu den Einsatzmöglichkeiten der verschiedenen Rührelemente, und Sie werden schnell lernen, welches Rührelement Sie für welche Aufgabe wählen sollten. So eignet sich beispielsweise der Hochtemperatur-Flexirührer besonders gut für sehr geschmeidige Saucen und Cremes, während Sie zum Kochen von dickeren Speisen wie Eintöpfen, Ragouts usw. eher das Rührpaddel verwenden sollten. Unser Rezeptbuch empfiehlt das beste Zubehör für das jeweilige Rezept. Manchmal erzielen Sie auch bessere Ergebnisse, wenn Sie die Rührelemente je nach Zubereitungsaufgabe auswechseln.

Während des Kochens und direkt danach sind Schüssel, Spritzschutz und Rührelemente heiß (genau wie bei einem Topf). Seien Sie also vorsichtig beim Berühren dieser Teile. Denken Sie auch daran, dass der Kochvorgang Dämpfe und Kondensation erzeugt. Seien Sie daher vorsichtig, wenn Sie in die Schüssel schauen, den Deckel des Füllschachts abnehmen oder den Cooking Chef/Maschinenkopf anheben, um Zugang zur Schüssel zu erhalten. Warnen Sie auch andere Personen davor, dass die Küchenmaschine kocht oder heiß ist. Verwenden Sie zum Anfassen oder Abnehmen heißer Teile Topflappen und tragen Sie die Schüssel nur an ihren Griffen. Benutzen Sie auch die Arbeitsflächen-Schutzmatte, um hitzeempfindliche Oberflächen zu schützen.

Beim Erhitzen von Flüssigkeit oder Speisen mit hohem Wassergehalt schwankt die Genauigkeit der Temperaturangabe gewöhnlich zwischen +/- 5°C. Ihre Genauigkeit hängt von der Konsistenz und dem Volumen Ihres Schüsselinhalts, der Häufigkeit der Rührintervalle und dem gewählten Rührelement ab. Dies ist wieder mit dem Kochen auf einem konventionellen Herd vergleichbar, wenn z.B. eine große Menge Kochgut in einem großen Topf erhitzt, aber nicht gut durchgerührt wird. Das Kochgut ist am Boden des Topfes sehr heiß oder sogar verbrannt, nach oben hin jedoch weitaus kälter.

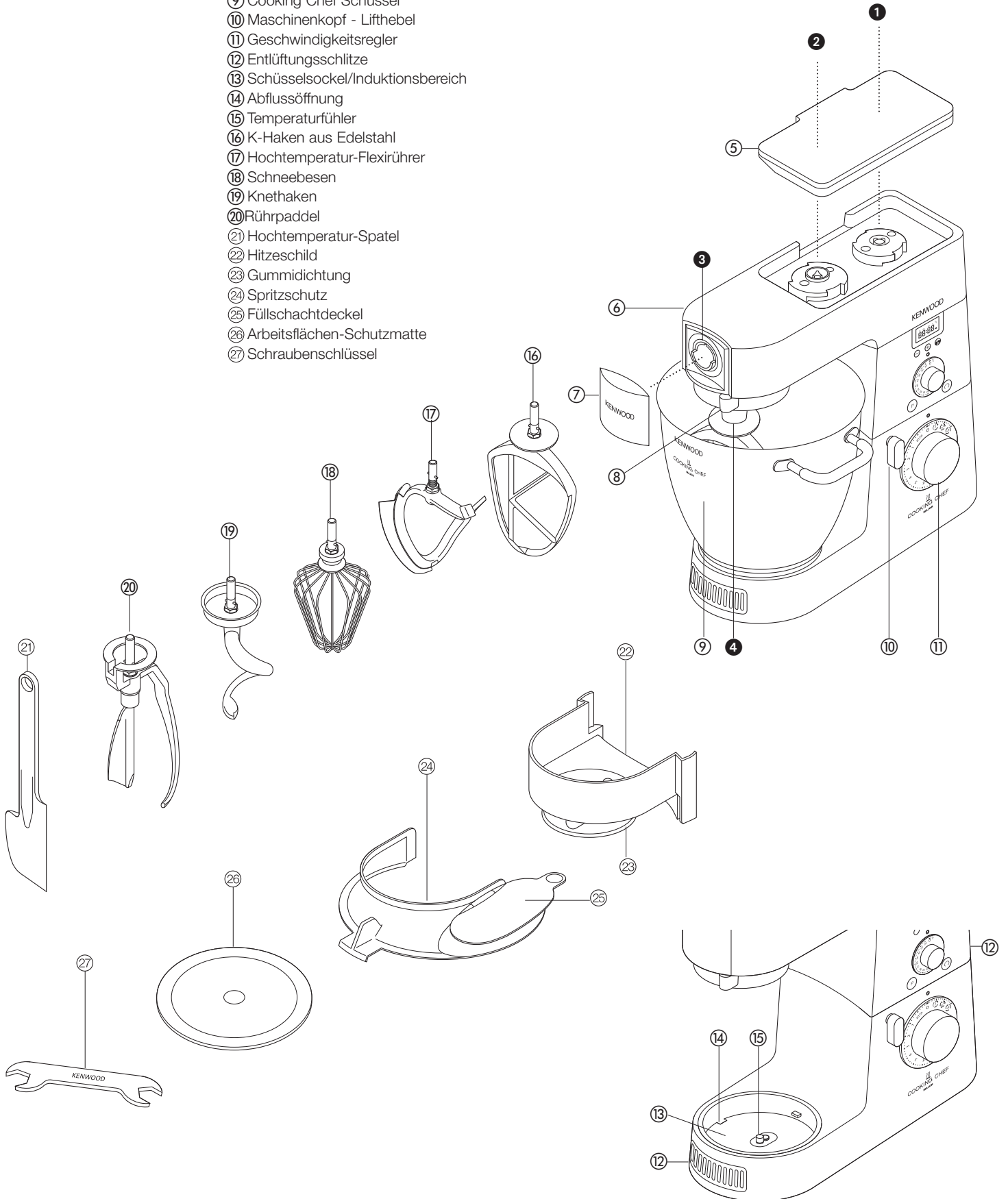
Neben der Temperaturanzeige verfügt die Maschine über eine kleine blaue LED. Diese blinkt so lange, bis die ausgewählte Temperatur erreicht wurde. Wurde diese erreicht, hört die LED auf zu blinken. Beachten Sie jedoch, dass beim Hinzugeben weiterer Zutaten in die Schüssel die LED wieder zu blinken beginnt, da die Temperatur des Kochguts durch das Hinzugeben kalter Zutaten sinkt. Möglicherweise blinkt die LED auch wieder bei häufigerem Rühren.

Sie werden schnell herausfinden, dass Ihr Kenwood Cooking Chef einfach zu benutzen ist und Ihnen die tägliche Essenszubereitung erheblich erleichtert.

Komponenten Ihres Kenwood Cooking Chef

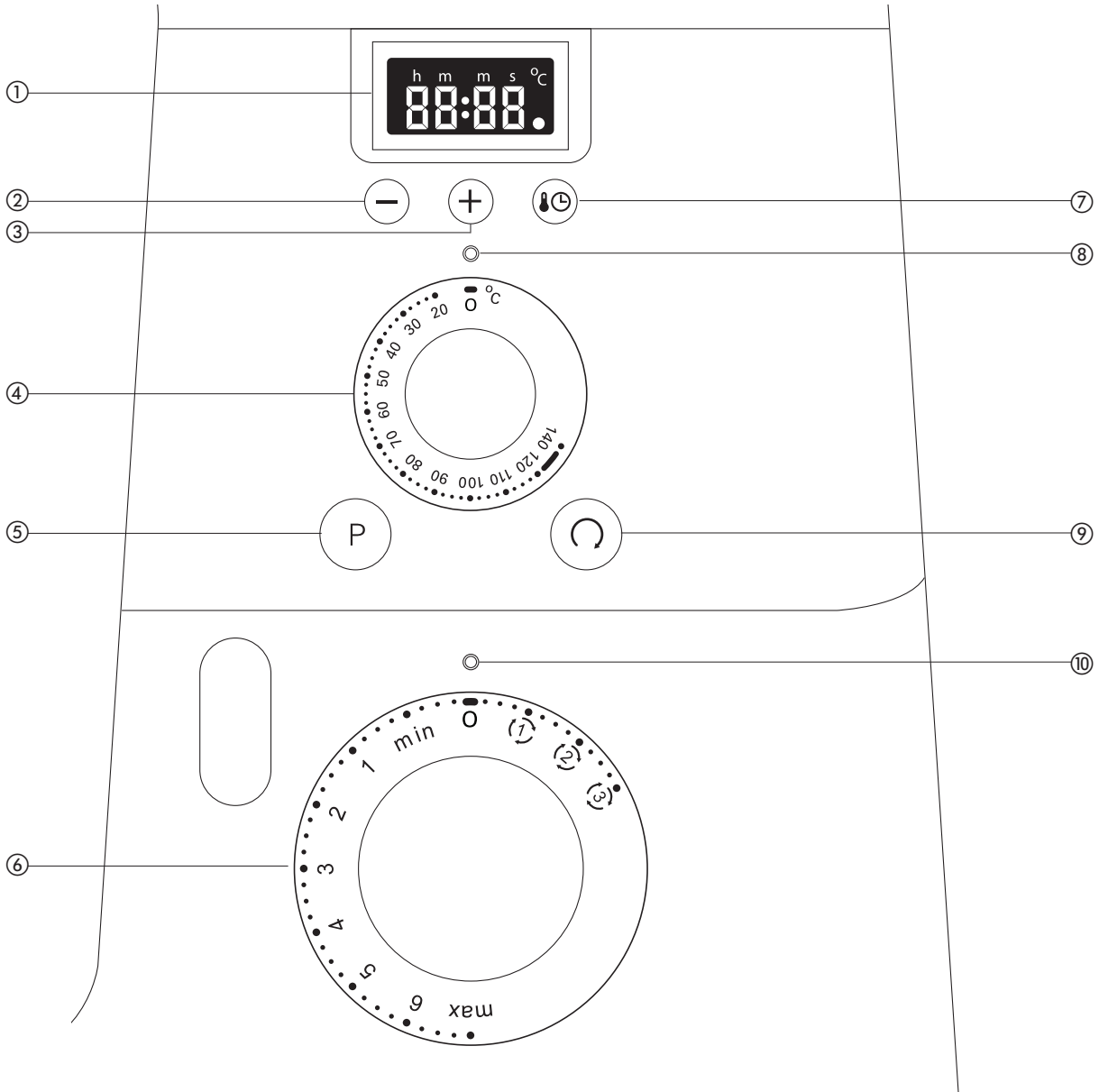
- Zubehör-Anschlüsse
- 1 Hochgeschwindigkeits-Anschluss
 - 2 Mittengeschwindigkeits-Anschluss
 - 3 Niedriggeschwindigkeits-Anschluss
 - 4 Steckplatz für Rührelemente

- Küchenmaschine
- 5 Deckel für Mittel-/Hochgeschwindigkeits-Anschlüsse
 - 6 Maschinenkopf
 - 7 Deckel für Niedriggeschwindigkeits-Anschluss
 - 8 Hebel für Niedriggeschwindigkeits-Anschluss
 - 9 Cooking Chef Schüssel
 - 10 Maschinenkopf - Lifthebel
 - 11 Geschwindigkeitsregler
 - 12 Entlüftungsschlitz
 - 13 Schüsselsockel/Induktionsbereich
 - 14 Abflussöffnung
 - 15 Temperaturfühler
 - 16 K-Haken aus Edelstahl
 - 17 Hochtemperatur-Flexirührer
 - 18 Schneebesens
 - 19 Kneithaken
 - 20 Rührpaddel
 - 21 Hochtemperatur-Spatel
 - 22 Hitzeschild
 - 23 Gummidichtung
 - 24 Spritzschutz
 - 25 Füllschachtdeckel
 - 26 Arbeitsflächen-Schutzmatte
 - 27 Schraubenschlüssel



Bedienfeld

- ① Zeitschaltuhr-/Temperaturanzeige
- ② Zeitschaltuhr – Plus-Taste
- ③ Zeitschaltuhr – Minus-Taste
- ④ Temperaturregler
- ⑤ Puls-/Hochgeschwindigkeitstaste, Hochtemperatur-Rührtaste
- ⑥ Geschwindigkeitsregler
- ⑦ Zeitschaltuhr-/Temperaturwahlschalter
- ⑧ Temperatur-LED
- ⑨ Unterheb-Taste
- ⑩ Geschwindigkeitsregler-LED



Höheneinstellung von Rührelementen

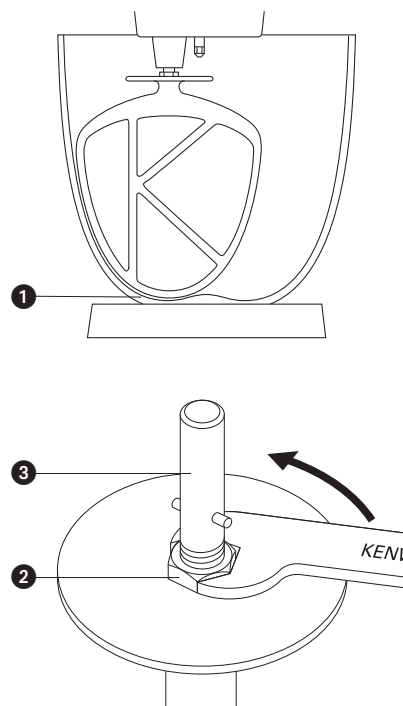
Zum Zusammenbau der Küchenmaschine siehe Seite 62.

Schneebeesen, K-Haken aus Edelstahl, Rührpaddel

Die beste Leistung des Schneebeesens, K-Hakens und Rührpaddels erzielen Sie, wenn diese den Boden der Schüssel **fast** berühren **1**. Verändern Sie bei Bedarf die Höhe mit dem Schraubenschlüssel (im Lieferumfang).

Gehen Sie dazu wie folgt vor:

- 1 Ziehen Sie den Netzstecker.
- 2 Klappen Sie den Maschinenkopf hoch und führen Sie den Schneebeesen, den K-Haken oder das Rührpaddel ein.
- 3 Klappen Sie den Kopf nach unten. Wenn Sie den Abstand ändern müssen, klappen Sie den Maschinenkopf wieder hoch und nehmen Sie das Rührelement ab.
- 4 Lösen Sie die Mutter **2** mit dem beiliegenden Schraubenschlüssel genügend, um die Höhe des Schafts **3** zu verstellen. Zum Senken des Rührelements drehen Sie den Schaft gegen den Uhrzeigersinn. Zum Anheben des Rührelements drehen Sie den Schaft im Uhrzeigersinn.
- 5 Ziehen Sie die Mutter wieder fest.
- 6 Bringen Sie das Rührelement erneut am Maschinenkopf an und klappen Sie ihn nach unten. (Prüfen Sie seine Position – siehe obige Punkte.)
- 7 Wiederholen Sie die oben genannten Schritte nach Bedarf, bis das Rührelement richtig sitzt. Ziehen Sie daraufhin die Mutter wieder fest an.



Hochtemperatur-Flexirührer: Dieses Rührelement sollte den Schüsselboden gerade berühren.

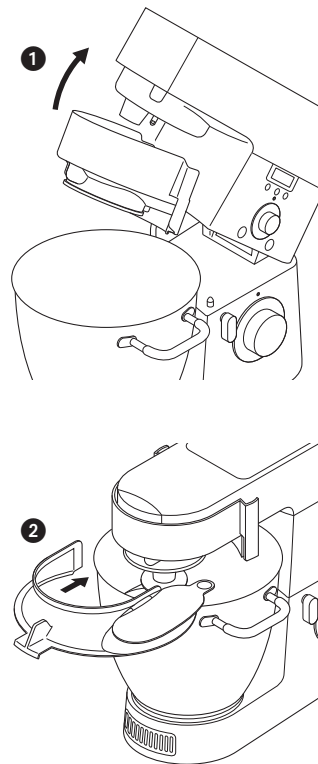
Knethaken – dieses Rührelement wird im Werk eingestellt und sollte keine Anpassung benötigen.

Anbringen und Verwendung des Spritzschutzes

Die Spritzschutzeinheit besteht aus zwei Teilen: dem Hitzeschild und dem Spritzschutz.

Das Hitzeschild muss für Kochvorgänge angebracht werden. Ansonsten funktioniert das Rührsystem nicht und es wird der Fehlercode E:03 angezeigt. Das Hitzeschild schützt den Maschinenkopf vor dem Dampf, der sich beim Kochvorgang entwickelt. Bei Bedarf können sowohl das Hitzeschild als auch der Spritzschutz angebracht werden, damit kein Füllgut aus der Schüssel tritt –z.B. beim Mischen von leichten Zutaten wie Mehl und Puderzucker oder beim Kochen von Zutaten mit viel Flüssigkeit. Der Spritzschutz sollte nur in Kombination mit dem Hitzeschild angebracht werden.

- 1 Klappen Sie den Maschinenkopf nach oben, bis er einrastet.
- 2 Schieben Sie das Hitzeschild nach oben auf die Unterseite des Maschinenkopfes **1**, bis es fest einrastet. Das Hitzeschild niemals ohne ordnungsgemäß angebrachte Gummidichtung verwenden.
- 3 Setzen Sie die Schüssel auf den Sockel.
- 4 Klappen Sie den Kopf nach unten.
- 5 Setzen Sie den Spritzschutz auf den Schüsselrand und schieben Sie ihn nach vorne, bis er komplett einrastet **2**.
 - Während des Rührvorgangs können Zutaten direkt über den Füllschacht hinzugegeben werden.
- 6 Zum Entfernen des Spritzschutzes schieben Sie diesen einfach vom Gerät weg.
- 7 Zum Abnehmen des Hitzeschildes klappen Sie den Maschinenkopf hoch, bis er einrastet. Entfernen Sie das Rührelement und ziehen Sie dann das Hitzeschild von der Unterseite des Maschinenkopfes nach unten.
Hinweis: Den Spritzschutz nur anbringen oder abnehmen, wenn der der Maschinenkopf eingerastet ist.



Das Rührsystem

Die Rührelemente und einige ihrer Einsatzmöglichkeiten

- K-Haken • Zur Zubereitung von Kuchen, Plätzchen, Gebäck, Zuckerguss, Füllungen, Brandteig und Kartoffelpüree.
- Schneebeisen • Für Eier, Sahne, Rührteig, Biskuitteig ohne Fett, Baisers, Käsekuchen, Schaumspesen und Soufflés. Den Schneebeisen nicht für schwere Mischungen (z.B. zum Schaumigschlagen von Fett und Zucker) verwenden – er könnte dadurch beschädigt werden.
- Knethaken • Nur für Hefeteig.
- Hochtemperatur-Flexirührer • Für viele Kochvorgänge geeignet, insbesondere für die Zubereitung von Eiercremes, Rühreiern und Saucen. Ideal zum Abkratzen heißer und kalter Mischungen von den Schüsselwänden beim Verrühren. Auch zum Anbraten von Gemüse geeignet.
- Rührpaddel • Geeignet zur Beibehaltung der Konsistenz von Kochgut wie Hähnchen, Fisch, Gemüse und Obst.

Verwendung Ihres Rührsystems

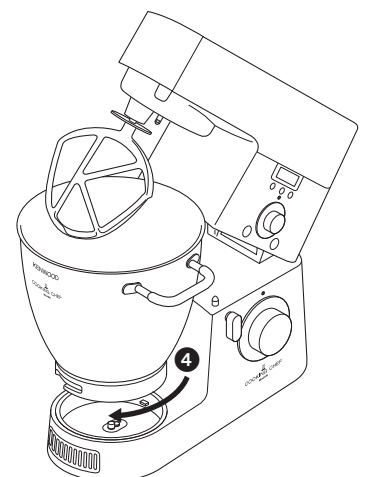
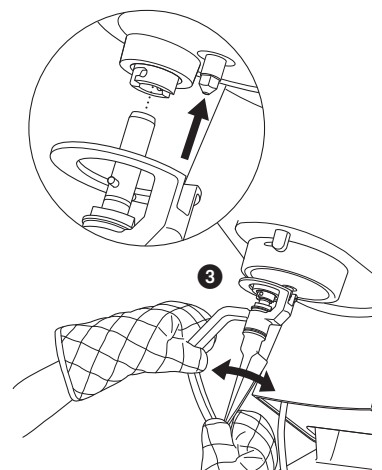
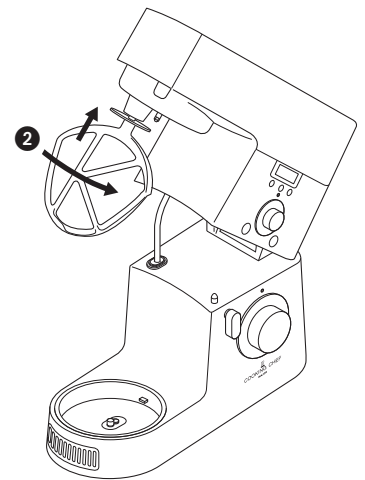
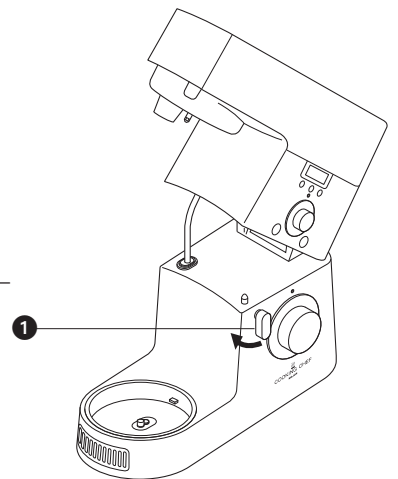
Stellen Sie vor Gebrauch des Rührsystems sicher, dass Temperatur- und Geschwindigkeitsregler auf die Position „0“ (Aus) geschaltet sind.

- 1 Drehen Sie den Hebel zum Anheben des Maschinenkopfes im Uhrzeigersinn **1** und klappen Sie den Maschinenkopf hoch, bis er einrastet.
- Rührelemente anbringen 2 Führen Sie das Rührelement in den Steckplatz ein, so dass der Schaftstift in der Kerbe sitzt, und drehen Sie das Element dann, bis es einrastet **2**.
- Rührpaddel:** Führen Sie zum Anbringen des Rührpaddels den Schaft in den Steckplatz ein und richten Sie dann den Schlitz am Schaft so aus, dass er sich unter dem Metallstift auf der Unterseite des Maschinenkopfes befindet. Halten Sie das Paddel fest und drehen Sie es, so dass sich der Schaftstift unter der Kerbe befindet, und schieben Sie den Schaft dann nach oben, bis er einrastet **3**.
- 3 Setzen Sie die Schüssel auf den Sockel, drücken Sie sie nach unten und drehen Sie sie im Uhrzeigersinn **4**.
- 4 Klappen Sie den Maschinenkopf herunter, indem Sie ihn zunächst leicht anheben und dann den Lifthebel im Uhrzeigersinn drehen. Klappen Sie den Kopf herunter, damit er einrastet.
- Rührelemente entfernen • Kehren Sie den oben beschriebenen Schritt 2 um. (Zum Entfernen von Rührelementen nach dem Kochen grundsätzlich Topflappen verwenden.)
- 5 Schließen Sie das Gerät an den Netzstrom an. Die Geschwindigkeits- und Temperatur-LEDs leuchten kurz auf. Auf der Anzeige erscheint **88:88** und verschwindet dann wieder, so dass nur noch die Betriebsanzeige aufleuchtet.
- 6 Drehen Sie den Geschwindigkeitsregler zur gewünschten Einstellung (siehe Empfehlungen auf Seite 63). Das Rührsystem wird in Betrieb genommen und die LED-Anzeige des Geschwindigkeitsreglers blinkt. Die Zeitschaltuhr zählt in 1-Sekunden-Schritten aufwärts. Die Geschwindigkeit lässt sich bei laufender Maschine jederzeit ändern.
- 7 Zum Stoppen des Rührsystems drehen Sie den Geschwindigkeitsregler zurück auf „0“ (Aus).


Wichtig – Wird der Maschinenkopf während des Betriebs hochgeklappt, stoppt das Rührsystem automatisch und es ertönt ein Piepsignal. Es startet erst wieder, wenn der Kopf heruntergeklappt wird. Zum erneuten Betrieb des Rührsystems stellen Sie den Geschwindigkeitsregler auf „0“ (Aus) und wählen Sie dann eine neue Geschwindigkeit aus.

Pulstaste

Die Pulstaste lässt sich nur bedienen, wenn der Geschwindigkeitsregler auf „0“ (Aus) gestellt ist. Zur Auswahl der Pulsfunktion drücken Sie die Pulstaste **Ⓟ** nach unten. Das Rührsystem läuft so lange auf Höchstgeschwindigkeit, wie Sie Taste nach unten gedrückt halten. Wenn der Schüsselinhalt heißer als 60°C ist, nimmt die Geschwindigkeit stufenweise zu. Es ertönt ein Piepsignal und die Geschwindigkeitsregler-/Temperatur-LEDs beginnen schnell zu blinken.



Unterheb-Taste

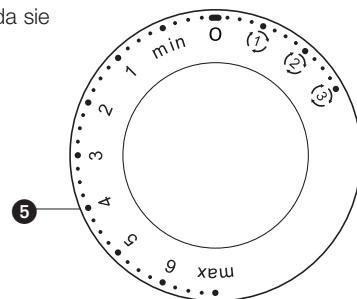
Wenn Sie die Unterheb-Taste  kurz gedrückt halten, läuft die Maschine automatisch für 2 Drehungen bei minimaler Geschwindigkeit und stoppt dann. Sie können die Taste zum Unterheben von Zutaten auch je nach Bedarf für längere Zeit gedrückt halten oder mehrmals hintereinander drücken.

Hinweis: Wird die Unterheb-Taste bei laufendem Motor gedrückt, führt die Maschine die standardmäßige Unterheb-Funktion aus und kehrt dann zur ausgewählten Geschwindigkeit zurück.

Geschwindigkeitsregler 5

Die folgenden Geschwindigkeitsangaben dienen lediglich als Richtlinien, da sie je nach Menge und Temperatur des Mischguts usw. unterschiedlich sein können.

Drehen Sie den Geschwindigkeitsregler im Uhrzeigersinn, um Geschwindigkeiten von „min“ bis „max“ zu erzielen.



K-Haken • **Zum Schaumigschlagen von Fett und Zucker:** Mit „min“ starten und stufenweise auf „max“ erhöhen.

• **Zum Einrühren von Eiern in cremige Mischungen:** „4“ – „max“.

• **Zum Unterheben von Mehl, Früchten usw.:** „min“ – „1“

• **Für Kuchenteig (alle Zutaten gleichzeitig):** Mit „min“ starten und stufenweise auf „max“ erhöhen.

• **Verkneten von Fett und Mehl:** „min“ – „2“.

Hochtemperatur-Flexirührer • **Zum Schaumigschlagen von Fett und Zucker:** Mit „min“ starten und stufenweise auf „3“ erhöhen.

• **Zum Abschaben heißer und kalter Mischungen von den Schüsselwänden:** Mit „min“ starten und stufenweise auf „3“ erhöhen.

• **Zum Anbraten von Gemüse, Rühren von Risotto und Polenta usw.:** Einstellung (1) benutzen.

Schneebeesen • Stufenweise auf „max“ erhöhen.

Knethaken • Mit „min“ starten und stufenweise auf „1“ erhöhen.

Rührpaddel • Nur mit Rühreinstellungen verwenden – (1), (2), (3).

Rühreinstellungen

Zur Auswahl der Rühreinstellungen drehen Sie den Geschwindigkeitsregler gegen den Uhrzeigersinn. Diese Funktionen sind am geeignetsten, wenn Sie Ihr Rührsystem im Kochmodus verwenden. Beachten Sie, das zum Benutzen der Rührgeschwindigkeiten alle Anschlussdeckel angebracht sein müssen.

(1) – Verwenden Sie diese Einstellung, wenn eine konstante niedrige Geschwindigkeit erforderlich ist – z.B. zum Rühren von Saucen.

(2) – Bei Auswahl dieser Einstellung vollführt das Rührsystem einmal alle 5 Sekunden circa zwei Drehungen bei langsamer Geschwindigkeit.

(3) – Bei Auswahl dieser Einstellung wird der Rührvorgang bei langsamer Geschwindigkeit alle 30 Sekunden eingeschaltet. Sie eignet sich somit besonders zum Rühren von Eintöpfen usw.

Zum Stoppen der Funktion stellen Sie den Geschwindigkeitsregler zurück auf „0“ (Aus).

Hinweis:

• Bei Auswahl einer neuen Geschwindigkeit blinkt jeweils die Geschwindigkeits-LED.

• Ferner ertönt u.U. ein hoher Signalton. Das ist völlig normal.

Verwendung des Rührsystems zum Kochen

WICHTIG

- Sicherstellen, dass Induktionsbereich, Temperaturfühler und Oberfläche des Schüsselsockels sauber sind. Ansonsten könnte der Temperaturfühler beeinträchtigt werden, was zu mangelhaften Kochergebnissen führt.
- Überprüfen, dass alle Anschlussdeckel und das Hitzeschild angebracht sind. Wenn dies nicht der Fall ist, funktioniert der Kochmodus nicht.
- Zum Entfernen von Schüssel und Rührelementen nach dem Kochen grundsätzlich Topflappen verwenden.

1 Bauen Sie die Küchenmaschine gemäß den Anleitungen auf Seite 62 zusammen.

2 Stellen Sie den Temperaturregler auf die gewünschte Temperatur ein.

- **Die Kochfunktion startet nur, wenn eine Geschwindigkeit ausgewählt wurde.**

- 3 Stellen Sie den Geschwindigkeitsregler auf die gewünschte Geschwindigkeit. Dadurch werden Motor und Heizelement eingeschaltet. Beide LED-Anzeigen blinken.
- 4 Nachdem die eingestellte Temperatur erreicht wurde, leuchtet die Temperatur-LED kontinuierlich. Sie beginnt jedoch während des Kochvorgangs wieder zu blinken, sobald sich die Temperatur ändert. Dies zeigt an, dass die Maschine versucht, die eingestellte Temperatur zu bewahren (siehe Einführung Seite 57).
 - Übersteigt die Schüsseltemperatur 60°C, wird die Geschwindigkeit aus Sicherheitsgründen automatisch eingeschränkt, selbst dann, wenn eine höhere Temperatur gewählt wurde. Fällt die Temperatur unter 60°C, wird die Geschwindigkeit nicht automatisch erhöht. Dazu muss zunächst der Geschwindigkeitsregler ausgeschaltet und eine neue Geschwindigkeit ausgewählt werden.
 - Hinweis: Bei jeder Betätigung des Zeitschaltuhr-/Temperaturwahlschalters wechselt die Anzeige zwischen Zeitschaltuhr und der aktuellen Temperatur des Schüsselinhalts.
- 5 Zum Stoppen oder Unterbrechen des Rühr- und Erhitzungsvorgangs stellen Sie den Geschwindigkeitsregler zurück auf „0“ (Aus). Zum erneuten Betrieb wählen Sie eine Geschwindigkeit.

Hinweise

- **Einige Rezepte, insbesondere solche mit hohem Flüssigkeitsgehalt, können keine Kochtemperaturen von über 100°C erreichen, da dies der Siedepunkt für Wasser ist.**

- Um Zutaten während des Kochens in die Schüssel zu geben, reduzieren Sie die Geschwindigkeit und fügen Sie die Zutaten langsam und gleichmäßig hinzu.
- Wählen Sie zum schnellen Erhitzen von Saucen eine kontinuierliche Rühreinstellung (↻).
- Sie können u.U. bessere Ergebnisse erzielen, wenn Sie die Rührelemente je nach Zubereitungsaufgabe auswechseln. Verwenden Sie z.B. den Hochtemperatur-Flexirührer zum Braten von Gemüse und dann das Rührpaddel beim Kochen von Fleisch- oder Geflügelteilen.
- Wenn Sie den Spritzschutz beim Kochen verwenden, entfernen Sie diesen immer, bevor Sie den Maschinenkopf anheben. Denken Sie daran, dass sich auf Spritzschutz und Hitzeschild Kondensation bilden kann.
- Klappen Sie den Maschinenkopf grundsätzlich langsam nach oben, damit etwaige Flüssigkeit an der Unterseite des Hitzeschildes in die Schüssel ablaufen kann.
- Ihnen stehen drei Rühreinstellungen für verschiedene Rezepte zur Auswahl. Einige Rezepte erfordern ständiges Rühren, damit die Zutaten nicht am Schüsselboden kleben bleiben, während bei anderen das Rühren unterbrochen werden muss, um die Konsistenz des Kochguts zu wahren.
- Wählen Sie zum Erzielen optimaler Leistungen die richtige Höhe für das jeweilige Rührelement (siehe Seite 61).
- Die maximale Kochzeit beträgt 3 Stunden. Danach schaltet sich das Rührsystem automatisch ab.
- Sie können Ihr Kochgut auch ohne Rührelemente erhitzen. Dazu müssen Sie jedoch eine Geschwindigkeit auswählen. Dies kann sehr nützlich sein, wenn Sie etwa Zutaten wie Butter oder Schokolade schmelzen.
- Bei jeder Betätigung des Zeitschaltuhr-/Temperaturwahlschalters wechselt die Anzeige zwischen Kochzeit und der aktuellen Temperatur des Schüsselinhalts.

Verwendung des Schneebesens bei hoher Geschwindigkeit und Temperatur

Zum Verwenden des Schneebesens bei hoher Geschwindigkeit und Temperaturen über 60°C drehen Sie den Geschwindigkeitsregler zur gewünschten Einstellung und halten Sie dann die Pulstaste gedrückt. Es ertönt ein Piepsignal und die Geschwindigkeitsregler-/Temperatur-LEDs beginnen schnell zu blinken. Die Rührgeschwindigkeit erhöht sich langsam auf die gewählte Einstellung.

Wiederholen Sie den Vorgang zur weiteren Geschwindigkeitserhöhung. Sie können die Rührgeschwindigkeit wie gewohnt reduzieren oder ausschalten.

Diese Funktion darf NUR mit dem Schneebesen verwendet werden. Bitte die maximale Füllmenge von 3 Litern nicht überschreiten und sicherstellen, dass der Spritzschutz angebracht ist. Die Maschine nicht unbeaufsichtigt lassen.

Nach dem Kochvorgang

- Vorsicht bei der Berührung irgendwelcher Teile der Maschine im Kochmodus oder nach dem Kochen. Dies gilt **INSBESONDERE FÜR DIE SCHÜSSEL, DEN SPRITZSCHUTZ UND DIE RÜHRELEMENTE**, da diese noch lange nach Ausschalten des Geräts **HEISS** bleiben. Schüssel zum Abnehmen und Tragen an ihren Griffen anfassen. Zum Handhaben der heißen Schüssel und Rührelemente Topflappen verwenden.
- Die Unterseite der Schüssel bleibt noch lange nach dem Erhitzen heiß. Seien Sie daher vorsichtig im Umgang damit und verwenden Sie die Schutzmatte, wenn Sie die Schüssel auf hitzeempfindlichen Oberflächen absetzen.

Anzeige

Zu Ihrer Sicherheit ist die Küchenmaschine mit 5 getrennten Sicherheitsfühlern ausgestattet, die bei Verwendung des Kochmodus aktiv sind. Wenn die Küchenmaschine eingeschaltet ist und ein Sicherheitsfühler aktiviert wird, erscheint auf der Zeitschaltuhr-/Temperaturanzeige eine Fehlermeldung, beispielsweise „E:01“. Zugleich ertönt ein Piepsignal und die Küchenmaschine kann nicht betrieben werden. Prüfen Sie die folgenden Fehlermeldungen:

Fehlermeldung	Beschreibung	Lösung
E:01	Der Maschinenkopf befindet sich in hochgeklappter Position. Wird der Maschinenkopf hochgeklappt, deaktiviert ein Sicherheitsfühler den Motor und das Heizelement. Wenn der Geschwindigkeitsregler beim Anheben des Maschinenkopfes auf einer anderen Position als „O“ (Aus) steht, erscheint diese Meldung und der Motor lässt sich nicht einschalten.	Den Maschinenkopf herunterklappen. Den Geschwindigkeitsregler auf „O“ stellen und dann die gewünschte Geschwindigkeit wählen.
E:02	Die Cooking Chef Schüssel ist nicht aufgesetzt. Der Kochmodus funktioniert nur mit korrekt aufgesetzter Cooking Chef Schüssel. Sicherheitsfühler stellen eine falsche Schüssel oder falsche Positionierung fest.	Sicherstellen, dass die Cooking Chef Schüssel aufgesetzt ist. Sicherstellen, dass die Schüssel korrekt sitzt. Den Geschwindigkeitsregler auf „O“ (Aus) stellen und dann die gewünschte Geschwindigkeit wählen.
E:03	Das Hitzeschild ist nicht angebracht. Die Kochfunktion ist deaktiviert, wenn das Hitzeschild nicht korrekt angebracht ist.	Sicherstellen, dass das Hitzeschild korrekt angebracht ist. Den Geschwindigkeitsregler auf „O“ (Aus) stellen und dann die gewünschte Geschwindigkeit wählen.
E:04	Die Deckel für den Niedriggeschwindigkeits- und Hoch-/Mittelgeschwindigkeits-Anschluss sind nicht aufgesetzt. Diese Deckel sind mit Sicherheitsfühlern versehen. Falls sie nicht korrekt aufgesetzt sind, schaltet sich das Heizelement aus und bei der Auswahl von Rührfunktionen läuft der Motor ununterbrochen. Die Rührgeschwindigkeiten „min“ bis „max“ laufen ununterbrochen.	Sicherstellen, dass alle Deckel korrekt angebracht sind. Den Geschwindigkeitsregler auf „O“ (Aus) stellen und dann die gewünschte Geschwindigkeit wählen.
E:09	Problem mit dem Temperaturfühler. Misst der Heizregler eine höhere Schüsseltemperatur als bei normalem Betrieb zu erwarten, schalten sich Motor und Heizelement automatisch aus.	Den Geschwindigkeitsregler auf „O“ (Aus) stellen, Maschine vom Netz trennen und abkühlen lassen. Sicherstellen, dass Schüsselsockel und Temperaturfühler sauber sind. Maschine wieder ans Netz anschließen und wie gewohnt einschalten.
E:10	Problem mit Motorgeschwindigkeit oder Überhitzung. Wenn der Motor zum Stillstand kommt oder heißläuft, schaltet das Steuersystem den Motor und das Heizelement automatisch aus.	Den Geschwindigkeitsregler auf „O“ (Aus) stellen und Maschine vom Netz trennen. Etwaige Blockierungen beseitigen, die den Motor zum Stillstand gebracht haben. Sicherstellen, dass alle Entlüftungsschlitze frei liegen. Maschine wieder ans Netz anschließen und einschalten.

Wenn diese oder andere Fehlercodes weiterhin auf der Anzeige erscheinen, wenden Sie sich bitte an den Kenwood Kundendienst.

Verwendung der Countdown-Uhr

Die Zeitschaltuhr lässt sich im Kochmodus wie auch in anderen Modi verwenden. Wird keine Countdown-Zeit eingestellt, zählt die Zeitschaltuhr automatisch in 1-Sekunden-Schritten weiter, solange die Küchenmaschine in Betrieb ist. Die maximale Laufzeit beträgt 3 Stunden.

- 1 Schließen Sie das Gerät an den Netzstrom an. Auf der Anzeige erscheint **88:88** und verschwindet dann wieder, so dass nur noch die Betriebsanzeige sichtbar ist.
- 2 Drücken Sie die Plus- oder Minus-Taste. Auf der Anzeige erscheint 0:00.
- 3 Drücken Sie die Plus- oder Minus-Taste, bis die gewünschte Zeit angezeigt wird. Die Zeitschaltuhr zählt in 5-Sekunden-Schritten hoch. Je länger Sie die Taste gedrückt halten, desto schneller läuft die Zeitanzeige weiter. Sie können maximal 3 Stunden einstellen.
Hinweis: Wenn die Anzeige auf 3:00 steht und Sie die Plus-Taste drücken, wechselt die Anzeige zu 0:00. Steht die Anzeige auf 0:00 und Sie drücken die Minus-Taste, wechselt die Anzeige zu 3:00.
- 4 Stellen Sie den Geschwindigkeitsregler auf die gewünschte Geschwindigkeit ein. Die Küchenmaschine startet und die Zeitschaltuhr zählt in 1-Sekunden-Schritten nach unten.
 - Der Betrieb der Küchenmaschine lässt sich jederzeit unterbrechen, indem Sie den Geschwindigkeitsregler auf „0“ (Aus) stellen. Dadurch wird auch die Zeitschaltuhr angehalten. Sie läuft weiter, sobald die Küchenmaschine ihren Betrieb wieder aufnimmt.
- 5 Der Rührvorgang stoppt automatisch, wenn die eingestellte Zeit abgelaufen ist. Dabei ertönt 3 Sekunden lang ein Piepsignal. Die Anzeige blinkt 5 Sekunden lang und ist dann leer, so dass nur noch die Betriebsanzeige sichtbar ist.

Zurücksetzen der Zeitschaltuhr

- 1 Um die Zeitschaltuhr auf Null zu setzen, drücken Sie gleichzeitig die Plus- und die Minus-Taste (der Geschwindigkeitsregler muss auf „0“ (Aus) gestellt sein).
 - Wenn die Maschine 10 Minuten lang nicht in Betrieb ist, gehen LCD-Anzeige und Hintergrundbeleuchtung in den „Schlafmodus“ über und alle Anzeigen erlöschen. Bei Betätigung einer Taste oder eines Reglers kehrt die Anzeige zum ursprünglichen Format zurück.

Maximale Mengen

- | | |
|-------------------------|--------------------------|
| Knetteig | • Mehlgewicht: 910 g |
| Fester Hefeteig | • Mehlgewicht: 1,5 kg |
| | • Gesamtgewicht: 2,4 kg |
| Weicher Hefeteig | • Mehlgewicht: 2,6 kg |
| | • Gesamtgewicht: 5 kg |
| Rührteig | • Gesamtgewicht: 4,55 kg |
| Eiweiß | • 16 |
| Kochmodus | • 3 Liter |

- Allgemeine Hinweise
- Maschine regelmäßig stoppen und Mischgut mit dem Spatel von den Schüsselwänden nach unten schaben.
 - Eier sollten zum Schlagen am besten Raumtemperatur haben.
 - Vor dem Zubereiten von Eischnee sicherstellen, dass sich keine Spuren von Fett oder Eigelb an Schneebesen oder Schüssel befinden.
 - Beim Zubereiten von Teig kalte Zutaten verwenden (wenn nicht im Rezept anders angegeben).

Hinweise zu Brotteigen

- Wichtig
- Niemals die angegebenen Höchstmengen überschreiten – Sie würden die Maschine überlasten.
 - Wenn Sie hören, dass die Maschine überlastet ist: Gerät ausschalten, die Hälfte des Teiges entnehmen und die halben Mengen separat verarbeiten.
 - Die Zutaten vermengen sich am besten, wenn Sie zuerst die Flüssigkeit eingeben.

Fehlerbehebung beim Kochen

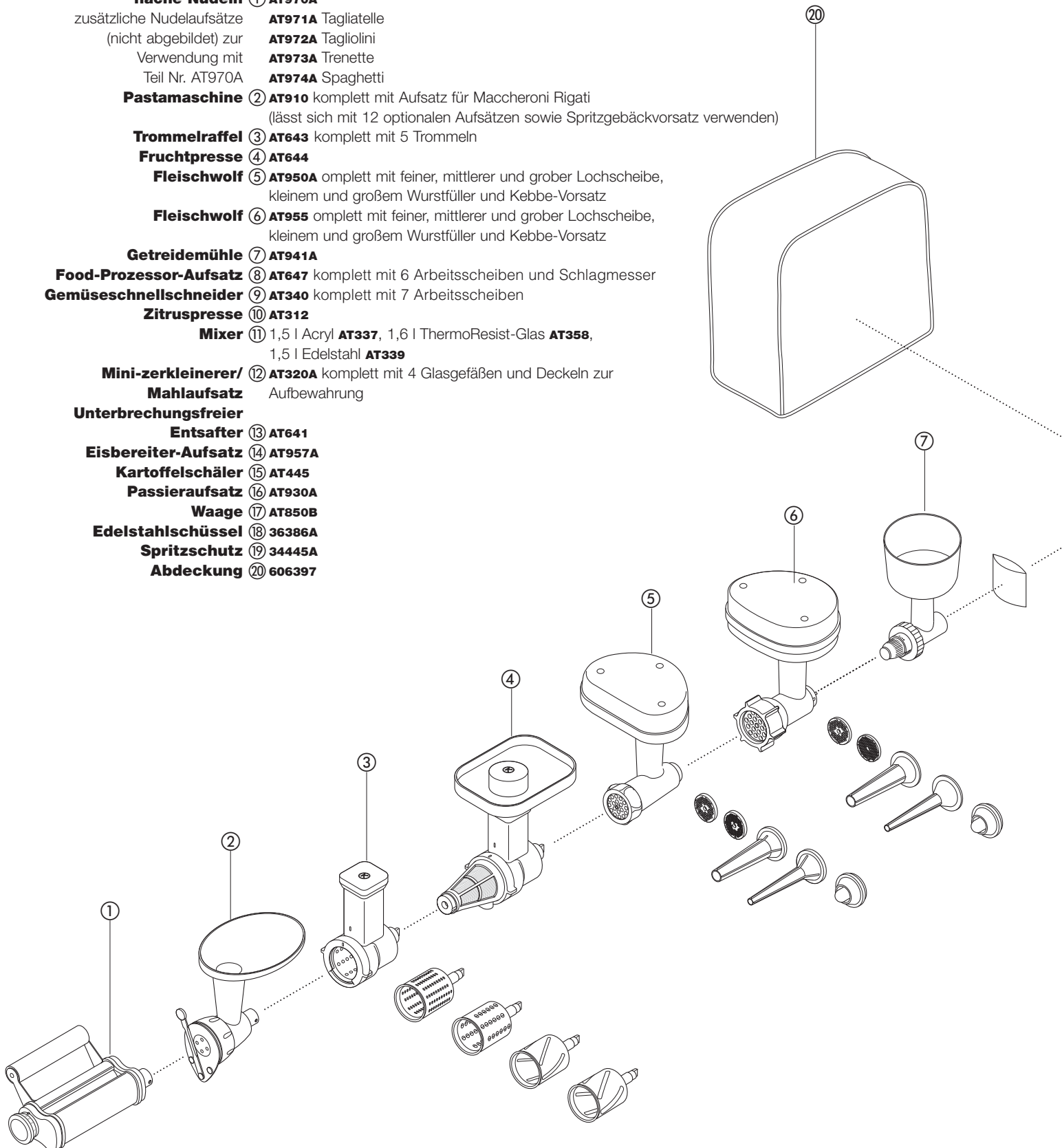
Problem	Ursache	Lösung
Die Küchenmaschine arbeitet nicht im Kochmodus. Sie zeigt eine Fehlermeldung an und gibt einen Warnton aus.	Einer der Sicherheitsfühler wurde aktiviert.	Siehe Tabelle der Fehlermeldungen auf Seite 65. <ul style="list-style-type: none"> • Sicherstellen, dass Maschinenkopf heruntergeklappt und eingerastet ist. • Sicherstellen, dass alle Anschlussdeckel korrekt aufgesetzt sind. • Sicherstellen, dass das Hitzeschild korrekt angebracht ist. • Sicherstellen, dass die Cooking Chef Schüssel korrekt aufgesetzt ist.
Es wurde eine Temperatur ausgewählt, aber der Schüsselinhalt wird nicht warm (Temperaturanzeige leuchtet nicht auf).	Es wurde keine Geschwindigkeit eingestellt.	Eine Geschwindigkeit einstellen.
Die Küchenmaschine ändert beim Kochen ihre Geschwindigkeit.	Die Geschwindigkeit wird automatisch begrenzt, wenn der Schüsselinhalt 60°C erreicht.	Dies ist eine Sicherheitsfunktion.
Das Mischgut brennt auf dem Schüsselboden an.	<ol style="list-style-type: none"> 1 Die ausgewählte Temperatur könnte zu hoch sein. 2 Es wird ein falsches Rührelement verwendet. 3 Die Rühfunktion ist zu langsam. 4 Das Rührelement sitzt vielleicht nicht tief genug in der Schüssel. 5 Die Zeitschaltuhr wurde auf eine zu lange Zeit eingestellt. 6 Der Fühler und/oder die Unterseite der Schüssel sind eventuell nicht sauber. 	<ol style="list-style-type: none"> 1 Die Temperatur am Regler reduzieren oder mit einer niedrigeren Temperatur kochen. 2 Überprüfen, dass das richtige Rührelement verwendet wird. 3 Häufigere Rührintervalle einstellen oder Dauerbetrieb wählen. 4 Position des Rührelements korrigieren. 5 Kochdauer verkürzen (sicherstellen, dass Speisen gar werden). 6 Diese Bereiche sauber und trocken halten.
Die Konsistenz des Mischguts bleibt nicht erhalten.	<ol style="list-style-type: none"> 1 Die ausgewählte Temperatur ist zu hoch. 2 Die Rühfunktion ist zu schnell. 3 Zutaten werden zu lange gekocht. 4 Es wird ein falsches Rührelement verwendet. 	<ol style="list-style-type: none"> 1 Temperatur reduzieren. 2 Rührgeschwindigkeit reduzieren. 3 Kochdauer reduzieren (sicherstellen, dass Speisen gar werden). 4 Überprüfen, dass das richtige Rührelement verwendet wird.
Ungleichmäßige Rührgeschwindigkeit.	<ol style="list-style-type: none"> 1 Zutaten sind zu groß, zu hart oder zu fest. 	<ol style="list-style-type: none"> 1 Zutaten in kleinere Stücke schneiden, Obststeine entfernen, Zutaten langsam ohne Rührelement (aber mit eingestellter Geschwindigkeit) schmelzen. 2 Zutaten nach dem Herunterklappen des Maschinenkopfes in die Schüssel geben. 3 Überprüfen, dass das richtige Rührelement verwendet wird.
Dem heißen Mischgut wurden kalte Zutaten zugegeben, aber die Temperaturanzeige reagiert nicht schnell darauf.	Falls der Schüsselinhalt nicht ausreichend verrührt wird, ist das Mischgut unterschiedlich warm.	<ol style="list-style-type: none"> 1 Warten, bis die Zutaten gründlich vermischt sind. 2 Rührgeschwindigkeit erhöhen.
Probleme beim Herunterklappen des Maschinenkopfes, wenn sich Mischgut in der Schüssel befindet.	Feste Zutaten wie Schokolade auf dem Schüsselboden hindern den Maschinenkopf daran, in heruntergeklappter Position einzurasten.	Zutaten nach dem Herunterklappen des Maschinenkopfes in die Schüssel geben.
Küchenmaschine läuft ununterbrochen, wenn Rühreinstellung (2) oder (3) ausgewählt ist.	Anschlussdeckel sind nicht korrekt aufgesetzt.	Sicherstellen, dass die Anschlussdeckel korrekt aufgesetzt sind.
Motorgeschwindigkeit ist bei Verwendung von Aufsätzen begrenzt.	Es ist eine heiße Schüssel aufgesetzt.	Schüssel entfernen oder auf unter 60°C abkühlen.

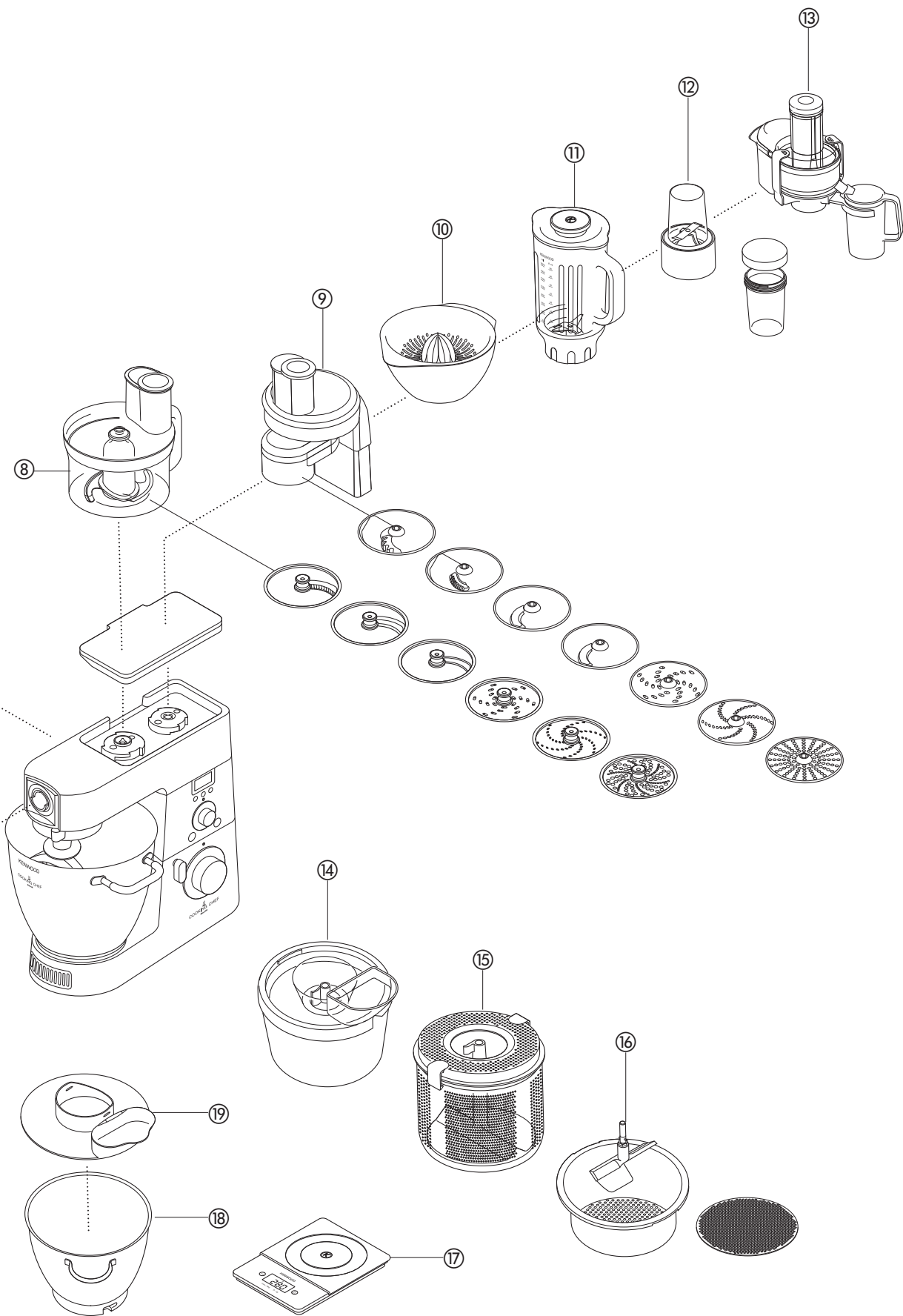
Erhältliches optionales Zubehör

Zum Kauf von Zubehör, das nicht zum Lieferumfang der Maschine gehört, wenden Sie sich bitte an den Wartungs- und Kundendienst.

Zubehör Zubehör-Code

- Pastaroller für flache Nudeln** ① **AT970A**
- zusätzliche Nudelaufsätze (nicht abgebildet) zur Verwendung mit Teil Nr. AT970A
 - AT971A** Tagliatelle
 - AT972A** Tagliolini
 - AT973A** Trenette
 - AT974A** Spaghetti
- Pastamaschine** ② **AT910** komplett mit Aufsatz für Maccheroni Rigati (lässt sich mit 12 optionalen Aufsätzen sowie Spritzgebäckvorsatz verwenden)
- Trommelraffel** ③ **AT643** komplett mit 5 Trommeln
- Fruchtpresse** ④ **AT644**
- Fleischwolf** ⑤ **AT950A** omplett mit feiner, mittlerer und grober Lochscheibe, kleinem und großem Wurstfüller und Kebbe-Vorsatz
- Fleischwolf** ⑥ **AT955** omplett mit feiner, mittlerer und grober Lochscheibe, kleinem und großem Wurstfüller und Kebbe-Vorsatz
- Getreidemühle** ⑦ **AT941A**
- Food-Prozessor-Aufsatz** ⑧ **AT647** komplett mit 6 Arbeitsscheiben und Schlagmesser
- Gemüseschnellschneider** ⑨ **AT340** komplett mit 7 Arbeitsscheiben
- Zitruspresse** ⑩ **AT312**
- Mixer** ⑪ 1,5 l Acryl **AT337**, 1,6 l ThermoResist-Glas **AT358**, 1,5 l Edelstahl **AT339**
- Mini-zerkleinerer/ Mahlaufsatz** ⑫ **AT320A** komplett mit 4 Glasgefäßen und Deckeln zur Aufbewahrung
- Unterbrechungsfreier Entsafter** ⑬ **AT641**
- Eisbereiter-Aufsatz** ⑭ **AT957A**
- Kartoffelschäler** ⑮ **AT445**
- Passieraufsatz** ⑯ **AT930A**
- Waage** ⑰ **AT850B**
- Edelstahlschüssel** ⑱ **36386A**
- Spritzschutz** ⑲ **34445A**
- Abdeckung** ⑳ **606397**

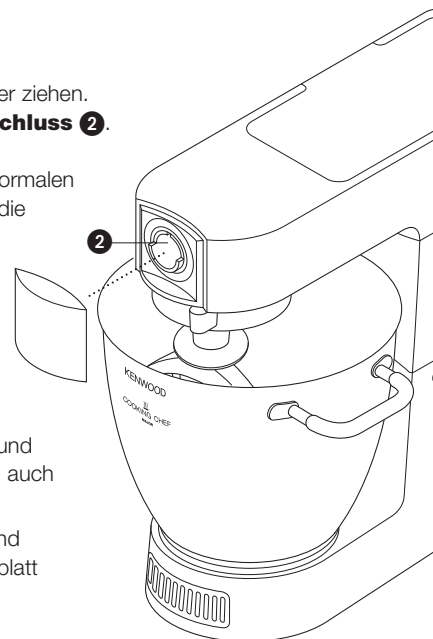




Reinigung und Wartung

Pflege und Reinigung

- Das Gerät vor dem Reinigen immer ausschalten und den Netzstecker ziehen.
- Beim ersten Gebrauch erscheint u.U. ein wenig Schmierfett an **Anschluss 2**. Dies ist normal – einfach abwischen.
- Die Metalloberflächen der Temperaturfühler können im Verlauf des normalen Gebrauchs Verschleißerscheinungen aufweisen. Dies beeinträchtigt die Leistung des Produkts in keiner Weise.
- Den Hochtemperatur-Flexirührer abnehmen, wenn die Maschine nicht benutzt wird.



Gerät, Anschlussdeckel

- Mit einem feuchten Tuch abwischen und trocknen lassen.
- Niemals Scheuermittel benutzen oder in Wasser eintauchen.

Hochtemperatur-Flexirührer

- Nehmen Sie das Flexischaberblatt zum Reinigen grundsätzlich vom Rührelement ab.
- Waschen Sie Flexischaberblatt und Rührelement in heißem Wasser und Spülmittel und trocken Sie beides gründlich ab. Die Teile lassen sich auch in der Geschirrspülmaschine waschen.

Hinweis: Bitte überprüfen Sie den Zustand des Gerätekörpers vor und nach Gebrauch. Überprüfen Sie außerdem regelmäßig das Schaberblatt und ersetzen Sie es, wenn es Verschleißerscheinungen aufweist.

Schüssel, Rührelemente,

Spritzschutz

- Von Hand spülen und gründlich abtrocknen oder in die Spülmaschine geben.
- Die Schüssel aus Edelstahl niemals mit einer Drahtbürste, Stahlwolle oder Bleichmittel reinigen. Zum Entfernen von Kalk Essig oder einen geeigneten Entkalker verwenden.
- Wenn Zutaten am Innern der Schüssel kleben oder einbrennen, diese so bald wie möglich mit dem Spatel (im Lieferumfang) abschaben. Die Schüssel mit warmem Seifenwasser füllen und einweichen. Alle hartnäckigen Reste mit einer Nylonbürste entfernen.

Abflussöffnung

- Eine Verfärbung der Schüssel führt nicht zu einer Beeinträchtigung ihrer Leistung.
- Sicherstellen, dass der Bereich frei von Mischgutresten ist. Wenn erforderlich, mit einem Pfeifenreiniger oder Wattestäbchen reinigen.

Temperaturfühler

- Mit einem feuchten Tuch abwischen und gründlich trocknen lassen. Niemals Scheuermittel oder scharfe Gegenstände zum Reinigen der Fühler verwenden.

Kundendienst und Service

- Ein beschädigtes Netzkabel darf aus Sicherheitsgründen nicht selbst repariert werden, sondern muss von KENWOOD oder einer autorisierten KENWOOD-Kundendienststelle ausgetauscht werden.

Hinweise zur:

- Verwendung Ihres Kenwood Gerätes
 - Wartung oder Reparatur
- Bitte setzen Sie sich mit Ihrem Händler in Verbindung, bei dem Sie das Gerät gekauft haben.

- Gestaltet und entwickelt von Kenwood GB.
- Hergestellt in China.



WICHTIGER HINWEIS FÜR DIE KORREKTE ENTSORGUNG DES PRODUKTS IN ÜBEREINSTIMMUNG MIT DER EG-RICHTLINIE 2002/96/EG.

Am Ende seiner Nutzungszeit darf das Produkt NICHT mit dem Hausmüll entsorgt werden. Es muss zu einer örtlichen Sammelstelle für Sondermüll oder zu einem Fachhändler gebracht werden, der einen Rücknahmeservice anbietet.

Die getrennte Entsorgung eines Haushaltsgerätes vermeidet mögliche negative Auswirkungen auf die Umwelt und die menschliche Gesundheit, die durch eine nicht vorschriftsmäßige Entsorgung bedingt sind. Zudem ermöglicht dies die Wiederverwertung der Materialien, aus denen das Gerät hergestellt wurde, was erhebliche Einsparungen an Energie und Rohstoffen mit sich bringt.

Rezepte

Siehe „Hinweise zu Brotteigen“ auf Seite 66.

Weißbrot – fester Hefeteig

- Zutaten
- 1,36 kg Mehl zum Brotbacken
 - 15 g (3 Teel.) Salz
 - 15 g frische Hefe oder 15 g Trockenhefe + 5 g (1 Teel.) Zucker
 - 750 ml warmes Wasser 43°C. Ein Thermometer benutzen oder 250 ml kochendes Wasser mit 500 ml kaltem Wasser mischen
 - 15 g Schmalz
- Zubereitung
- 1 Trockenhefe (muss aufbereitet werden): Warmes Wasser in die Schüssel geben. Hefe und den Zucker hinzugeben und 10 Minuten stehen lassen, bis die Mischung schaumig wird.
Frische Hefe: Zerbröckeln und zum Mehl geben.
Andere Hefearten: Den Anleitungen des Herstellers folgen.
 - 2 Flüssigkeit in die Schüssel gießen. Dann das Mehl (gegebenenfalls mit frischer Hefe), Salz und Schmalz dazugeben.
 - 3 45 - 60 Sekunden lang bei minimaler Geschwindigkeit durchkneten. Dann auf Geschwindigkeitsstufe 1 erhöhen und nach Bedarf mehr Mehl dazu geben, bis sich ein fester Teig bildet.
 - 4 3 - 4 Minuten (oder länger) auf Geschwindigkeitsstufe 1 durchkneten, bis der Teig glatt und geschmeidig ist und sich von den Schüsselwänden löst.
 - 5 Teig in eine eingefettete Plastiktüte packen oder in eine Schüssel geben und mit einem Geschirrtuch zudecken. An einem warmen Ort stehen lassen, bis sich die Teigmasse verdoppelt hat.
 - 6 Erneut 2 Minuten lang auf Geschwindigkeitsstufe 1 durchkneten.
 - 7 4 eingefettete 450g-Formen zur Hälfte mit Teig füllen oder diesen zu Brötchen formen. Mit einem Geschirrtuch zudecken und an einem warmen Ort stehen lassen, bis sich die Teigmasse verdoppelt hat.
 - 8 Bei 230°C/Gasstufe 8 rund 30 - 35 Minuten *für Brot* und 10 – 15 Minuten *für Brötchen* backen.
- Gebackenes Brot sollte beim Klopfen auf die Unterseite hohl klingen.

Weißbrot – weicher Hefeteig

- Zutaten
- 2,6 kg normales Mehl
 - 1,3 l Milch
 - 300 g Zucker
 - 450 g Margarine
 - 100 g frische Hefe oder 50 g Trockenhefe
 - 6 verquirlte Eier
 - 5 Prisen Salz
- Zubereitung
- 1 Margarine in der Milch schmelzen lassen und auf 43°C erhitzen.
 - 2 **Trockenhefe** (muss aufbereitet werden): Die Hefe und den Zucker in die Milch geben und 10 Minuten stehen lassen, bis die Mischung schaumig wird.
Frische Hefe: In das Mehl bröckeln und Zucker dazugeben.
Andere Hefearten: Den Anleitungen des Herstellers folgen.
 - 3 Die Milch in die Schüssel gießen. Die verquirlten Eier und 2 kg Mehl dazugeben.
 - 4 Bei minimaler Geschwindigkeit eine Minute lang mischen und dann eine weitere Minute bei Geschwindigkeitsstufe 1.
Nach unten abschaben.
 - 5 Restliches Mehl dazugeben, bei minimaler Geschwindigkeit verrühren und dann 2 – 3 Minuten auf Geschwindigkeitsstufe 1 kneten, bis der Teig glatt und gleichmäßig ist.
 - 6 Eingefettete 450g-Formen zur Hälfte mit Teig füllen oder diesen zu Brötchen formen. Mit einem Geschirrtuch zudecken und an einem warmen Ort stehen lassen, bis sich die Teigmasse verdoppelt hat.
 - 7 Bei 200°C (Gas Stufe 6) 20 - 25 Minuten *für Brot* oder 15 Minuten *für Brötchen* backen.
 - 8 Gebackenes Brot sollte beim Klopfen auf die Unterseite hohl klingen.
- Ergibt circa 10 Brotlaibe.

Rezepte - Fortsetzung

Erdbeer- und Aprikosentorte

- Zutaten: Biskuitteig
- 3 Eier
 - 75 g Streuzucker
 - 75 g Mehl
- Füllung und Verzierung
- 150 ml Doppelsahne
 - Zucker nach Geschmack
 - 225 g Erdbeeren
 - 225 g Aprikosen
- Zubereitung
- 1 Aprikosen halbieren und Steine entfernen. In sehr wenig Wasser sieden, bis sie weich sind. Zucker nach Geschmack hinzugeben.
 - 2 Erdbeeren waschen und halbieren.
 - 3 Für den Biskuitteig Eier und Zucker bei maximaler Geschwindigkeit schlagen, bis die Mischung sehr hell und dick wird.
 - 4 Schüssel und Schneebesen entfernen. Mehl von Hand mit einem großen Metalllöffel sorgfältig unterheben, damit der Teig luftig bleibt.
 - 5 Mischung in zwei eingefettete Kuchenformen von 18 cm Durchmesser füllen.
 - 6 Bei 180°C/Gasstufe 4 circa 20 Minuten lang backen, bis die Oberfläche des Kuchens bei leichter Berührung zurückspringt.
 - 7 Auf ein Drahtrost stürzen.
 - 8 Sahne bei maximaler Geschwindigkeit steif schlagen. Mit Zucker abschmecken.
 - 9 Aprikosen und ein Drittel der Erdbeeren grob in Stücke schneiden. Unter die Hälfte der Sahne heben.
 - 10 Die Mischung auf einem Biskuitboden verteilen und den anderen Boden daraufsetzen.
 - 11 Die restliche Sahne oben auf der Torte verteilen und mit den restlichen Erdbeeren garnieren.

Baisers

- Zutaten
- 4 Eiweiß
 - 250 g Puderzucker (gesiebt)
 - Backblech mit Backpapier auskleiden.
- Zubereitung
- 1 Eiweiß und Zucker bei maximaler Geschwindigkeit circa 10 Minuten schlagen, bis der Eischnee Spitzen bildet.
 - 2 Die Mischung mit einem Löffel oder Spritzbeutel (Sterndüse 2,5 cm) auf dem Backblech verteilen.
 - 3 Bei 110°C/Gasstufe 1/4 für circa 4 - 5 Stunden backen, bis die Masse fest und knusprig ist. Falls die Baisers zu bräunen beginnen, die Ofentür leicht geöffnet lassen.
- Baisers in einer luftdichten Dose lagern.

Mürbeteig

- Zutaten
- 450 g Mehl (gesiebt, mit Salz)
 - 15 g Salz
 - 225 g Fett (Mischung aus Margarine und Schmalz direkt aus dem Kühlschrank)
 - Circa 80 ml (4 Essl.) Wasser
- Tipp:
- Nicht zu sehr verrühren
- Zubereitung
- 1 Mehl in die Schüssel geben. Das Fett grob würfeln und zum Mehl geben.
 - 2 Zutaten mit dem K-Haken aus Edelstahl bei maximaler Geschwindigkeit zu „Brotkrümeln“ verarbeiten.
Den Teig nicht zu fettig werden lassen.
 - 3 Wasser dazugeben und bei maximaler Geschwindigkeit verkneten. Stoppen, sobald das Wasser eingearbeitet ist.
 - 4 Bei circa 200°C/Gasstufe 6 backen (je nach Füllung).

Chili-Marinade

- Zutaten
- 200 g kalter klarer Honig (über Nacht gekühlt)
 - 1 grüne Chili (ganz)
 - 5 ml grobe Erdnussbutter
 - Gewürze nach Geschmack
- Zubereitung
- 1 Alle Zutaten in die Multimühle geben.
 - 2 Den Aufsatz an der Küchenmaschine anbringen und die Zutaten um die Klinge herum absinken lassen.
 - 3 Pulsfunktion 10 Sekunden lang einschalten.
 - 4 Nach Bedarf verwenden.

Hinweise für Garantieleistungen

1. Für das an Sie gelieferte Gerät gemäss Rechnung gewährt der Hersteller ab Kaufdatum eine 24-monatige Garantie. Zum Nachweis der Garantie gilt nur der Kaufbeleg.
2. Alle innerhalb der Garantiezeit auftretenden Funktionsfehler, die nachweisbar trotz sachgemäßem Gebrauch entstanden sind, beheben wir bis 24 Monate nach Kaufdatum kostenlos.
Bei gewerblicher Nutzung reduziert sich die Garantieleistung auf 6 Monate.
3. Es bleibt unserer Wahl überlassen, ob wir die defekten Teile reparieren oder austauschen. Ausgetauschte Teile gehen in unser Eigentum über.
4. Durch die Erbringung von Garantieleistungen tritt keine Verlängerung der ab Kaufdatum eingeräumten Garantiezeit ein. Die Garantiezeit für Teile, die im Rahmen der Garantie ausgetauscht werden, läuft mit Ende der Garantiezeit ab.
5. Die Garantie erlischt bei Eingriffen von anderen als autorisierten KENWOOD-Kundendienststellen oder bei der Verwendung anderer als original KENWOOD-Ersatzteile.
6. Unsere autorisierten KENWOOD-Kundendienststellen werden die Instandsetzung so schnell wie möglich durchführen.
7. Von der Garantie ausgenommen sind:
 - Glas- und Kunststoffbruch,
 - Schäden, die auf Nichtbeachtung der Hinweise in der Betriebsanleitung zurückzuführen sind.
 - Schäden, die durch Anschluß an eine falsche Netzspannung oder sonstige unsachgemäße Behandlung des Gerätes oder seiner Teile entstehen, insbesondere Überlastung.
 - Schäden, die auf normale Abnutzung zurückzuführen sind.
 - Transportschäden jeglicher Art melden Sie bitte umgehend, jedoch spätestens 8 Tage nach Auslieferung bei Ihrem Händler, damit er diese reguliert.
8. Durch diese Herstellergarantie wird die gesetzliche Gewährleistungspflicht nicht eingeschränkt.

Im Garantiefall oder bei Reparaturbedarf wenden Sie sich bitte an dem Verkäufer (oder an eine autorisierte Kundendienststelle).

Deutschland: Info Line: 0180-2000-422 (0,12€/min)

Italiano

prima di utilizzare la vostra apparecchiatura Kenwood

- **Leggere attentamente le presenti istruzioni e conservarle come futuro riferimento.**
- Rimuovere la confezione e le etichette.

per conoscere il vostro Kenwood Cooking Chef

sicurezza

Importante - impianti medici elettronici

- Come tutti i prodotti generanti riscaldamento a induzione, questo apparecchio genera campi magnetici a corto raggio. Se l'utilizzatore o una persona nelle immediate vicinanze dell'apparecchio ha un pacemaker o altro impianto medico attivo, prima dell'uso si prega di consultare il medico per escludere eventuali incompatibilità e rischi per la salute.
- Spegnerne l'apparecchio e disinserire la spina dalla presa elettrica prima di montare o staccare utensili/accessori, dopo l'uso e prima della pulizia.
- Tenere lontano il corpo, gli articoli di gioielleria/bigiotteria e gli indumenti larghi dalle parti in movimento e dagli accessori installati.
- Non inserire mai le dita ecc. nel meccanismo della cerniera.
- Non lasciare mai l'apparecchio incustodito dopo averlo acceso.
- Non usare mai un accessorio danneggiato. Farlo controllare o riparare: vedere alla sezione 'manutenzione e assistenza tecnica', pag. 88.
- Non usare mai un accessorio non approvato, oppure più di un accessorio alla volta.
- Non superare mai le capacità massime indicate a pag. 84. Inoltre, quando si utilizza la cottura ad induzione, non superare mai il livello massimo di 3 litri indicato all'interno del recipiente.
- Se viene usato un accessorio, leggere le istruzioni di sicurezza e di impiego che lo corredano.
- Fare attenzione nel sollevare questo apparecchio, per via del peso. Verificare che la testa sia bloccata in posizione e che recipiente, utensili, coperchi degli attacchi e cavo elettrico siano ben saldi prima di sollevare l'apparecchio.
- Non lasciare mai che il cavo penzoli da dove un bambino potrebbe afferrarlo.
- Non lasciare mai che corpo motore, il filo o la spina elettrica si bagnino.
- Attenzione nel maneggiare o toccare qualsiasi parte dell'apparecchio durante o dopo la cottura, IN PARTICOLARE IL RECIPIENTE, IL PARASPRUZZI E GLI UTENSILI, che continueranno a SCOTTARE anche diverso tempo dopo che l'apparecchio è stato spento. Per estrarre e spostare il recipiente, servirsi dei manici. Usare guanti da forno al momento di maneggiare il recipiente caldo e gli utensili per miscelare.
- La base del recipiente continua a scottare anche parecchio tempo dopo il termine della cottura. Fare attenzione nel maneggiare il recipiente e usare il tappetino di protezione prima di appoggiarlo a superfici sensibili al calore.
- Fare attenzione al vapore che fuoriesce dal recipiente di Kenwood Cooking Chef, in particolare nell'aprire il coperchio del paraspruzzi, oppure al momento di sollevare la testa di Kenwood Cooking Chef.
- Se si desidera versare alimenti caldi da Kenwood Cooking Chef nel frullatore, prima lasciarli sempre raffreddare a temperatura ambiente.
- Usare solo il recipiente e gli utensili in dotazione con questo apparecchio. Non utilizzare mai il recipiente con altre sorgenti di calore.
- Non azionare mai l'apparecchio nella modalità di cottura se il recipiente è vuoto.
- Non cercare di inserire nulla attraverso le bocchette per l'aria.
- Prima di usare questo apparecchio, verificare di collocarlo in piano, lontano dal bordo del piano di lavoro. Assicurarsi che vi sia una distanza di almeno 10 cm dalle pareti, e che le bocchette dell'aria non siano ostruite. Non collocare l'apparecchio sotto a una credenza.
- A garanzia dell'uso corretto e sicuro della piastra ad induzione, controllare che la base del recipiente e i sensori della temperatura siano puliti ed asciutti prima di avviare la cottura.
- Come per qualunque apparecchio per cottura a induzione, evitare di collocare carte di credito, supporti magnetici o altri apparecchi elettronici sensibili vicino all'apparecchio dopo averlo acceso.
- Non usare questo apparecchio per friggere i cibi.
- Controllare sempre che i cibi siano ben cotti prima di mangiarli.
- Consumare i cibi entro breve tempo dopo averli cotti; in alternativa, farli raffreddare velocemente e poi refrigerarli non appena possibile.
- Non consentire l'uso dell'apparecchio a persone (anche bambini) con ridotte capacità psico-fisico-sensoriali, o con esperienze e conoscenze insufficienti, a meno che non siano attentamente sorvegliate e istruite da un responsabile della loro incolumità.
- Sorvegliare i bambini, assicurandosi che non giochino con l'apparecchio.
- Utilizzare l'apparecchio solo per l'uso domestico per cui è stato realizzato. Kenwood non si assumerà alcuna responsabilità se l'apparecchio viene utilizzato in modo improprio o senza seguire le presenti istruzioni.

prima di collegare l'apparecchio alla rete elettrica

- Accertarsi che la tensione della vostra rete sia la stessa di quella indicata sulla base dell'apparecchio.
- Questo apparecchio è conforme alla direttiva 2004/108/CE sulla Compatibilità Elettromagnetica, ed al regolamento (EC) No. 1935/2004 del 27/10/2004 sui materiali in contatto con alimenti.

prima dell'uso

Lavare i componenti: vedere la sezione 'cura e pulizia', pag. 88.

introduzione

Grazie per aver acquistato Kenwood Cooking Chef, che speriamo userete per molti anni con un rendimento ottimale.

Kenwood vanta quasi 60 anni di esperienza e competenza nello sviluppo dei propri prodotti e del loro ampio assortimento di accessori. Kenwood Chef è molto più di un semplice impastatore.

Nel realizzare il nuovo Kenwood Chef per cottura, abbiamo abbinato la sua tradizionale a un nuovo perfezionamento: la possibilità di cuocere a induzione gli alimenti direttamente nel recipiente di Kenwood Cooking Chef. Ora potrete avere tutti i vantaggi della consueta miscelazione con movimento planetario 'nel recipiente a freddo' per preparare le torte, pastafrolle e gli impasti che preferite, ma in più riscaldarli e cuocerli direttamente nel recipiente dell'apparecchio. Le possibilità sono davvero infinite.

Kenwood Cooking Chef, con la sua gamma di opzionali, è veramente il sistema più completo per la preparazione degli alimenti.

Robusto, Affidabile, Versatile, Kenwood.

Che cos'è la cottura a induzione e come funziona?

La cottura a induzione è un metodo avanzato per cuocere gli alimenti, che si avvale dei principi dell'induzione elettromagnetica. Con il passaggio della corrente elettrica attraverso una serpentina in rame, all'interno dell'area destinata alla cottura a induzione, si viene a creare un campo elettromagnetico. Inserendo e fermando in posizione il recipiente di Kenwood Cooking Chef, il circuito viene completato da uno speciale strato di acciaio inox all'interno della base per il recipiente. A sua volta, questo genera molta energia termica che si trasmette al contenuto del recipiente, che viene così riscaldato.

La cottura a induzione usa energia in modo molto efficiente, in quanto genera calore solo nella base del recipiente. Altri metodi di cottura, come i fornelli a gas, sprecono invece quasi il 50% dell'energia termica attorno ai lati della pentola. Anzi, l'area del vostro Kenwood Cooking Chef destinata alla cottura ad induzione scotta solo durante e immediatamente la cottura, per via del calore che si ritrasferisce dal contenuto del recipiente. Tutto questo significa che la cottura ad induzione è molto efficiente, sicura e pulita.

La funzione di cottura di Kenwood Cooking Chef è simile all'uso di una pentola su un normale fornello. Tuttavia, il vantaggio supplementare consiste nel fatto che Kenwood Cooking Chef mescolerà automaticamente i cibi e regolerà la temperatura di cottura in base alle vostre esatte preferenze, lasciandovi liberi di occuparvi di altro in cucina.

Kenwood Cooking Chef usa la tecnologia di riscaldamento ad induzione, che è estremamente efficiente. Rispetto alla cottura su un fornello a gas o elettrico, può darsi che richiederà meno tempo, o che sarà possibile cuocere a una temperatura più bassa. Considerare questi fattori al momento di usare l'apparecchio per la prima volta, o di provare una nuova ricetta. Se iniziate la cottura a una temperatura elevata, controllate regolarmente e, se necessario, abbassatela per evitare che i cibi si brucino e aderiscano al recipiente – proprio come fareste con una normale pentola. In generale, Kenwood Cooking Chef riscalda in modo automatico gli ingredienti alla vostra temperatura desiderata, nel minor tempo possibile. Di conseguenza, non è necessario impostare una temperatura più alta del necessario solo per ridurre i tempi di cottura. A questo punto, occorre prestare attenzione anche alla frequenza della miscelazione. Cuocendo ad alta temperatura, è possibile che i cibi debbano essere mescolati di continuo, usando l'impostazione (1). Le impostazioni (2) e (3) sono utili per mantenere la consistenza dei cibi in caso di tempi lunghi di cottura a bassa temperatura.

A questo stadio è anche importante scegliere l'utensile corretto per il recipiente. Più avanti in queste istruzioni presenteremo dei suggerimenti per l'uso ottimale di ciascun utensile, e con l'esperienza capirete presto quale sarà l'utensile migliore per ciascuna procedura. Durante la cottura scoprirete che la frusta flessibile per alta temperatura dà risultati migliori se desiderate una consistenza molto uniforme per salse e creme, mentre l'utensile per mescolare è preferibile per alimenti la cui consistenza deve rimanere più solida, ad esempio spezzatini, pasticci, ragù, ecc. Il nostro ricettario elenca gli utensili consigliati per ciascuna ricetta, e forse scoprirete che cambiando utensili per le varie procedure durante la preparazione è possibile ottenere risultati migliori.

Durante e immediatamente dopo la cottura, il recipiente, il paraschizzi e l'utensile per il recipiente scotteranno, proprio come una normale pentola. Fare quindi attenzione nel toccarli. È anche importante tenere presente che la cottura produce vapore e condensa. Attenzione, quindi, a quando controllate l'interno del recipiente, o sollevate il coperchio dal tubo introduttore degli alimenti o la testa Kenwood Cooking Chef macchina per esaminare o accedere al recipiente. Avvertite anche le altre persone dei pericoli durante la cottura, o quando l'apparecchio scotta, in modo che facciano attenzione. Al momento di toccare o di estrarre componenti caldi, è consigliabile usare guanti da forno e spostare il recipiente servendosi esclusivamente degli appositi manici. Potreste trovare utile anche il tappetino di protezione, per evitare di danneggiare le superfici sensibili al calore.

Nel riscaldare liquidi, o cibi che contengono molta acqua, normalmente la precisione della temperatura indicata rientra in $\pm 5^{\circ}\text{C}$. La precisione del display e del controllo della temperatura varia a seconda della consistenza e del volume dei cibi nel recipiente, della frequenza con cui vengono mescolati e dell'utensile usato per il recipiente. Anche tutti questi fattori sono simili alla cottura su fornello; ad esempio, riscaldando ma non mescolando bene una grossa pentola che contiene un'elevata quantità di ingredienti il cibo risulta molto caldo, o addirittura bruciato, sul fondo della pentola, ma molto meno caldo nella parte superiore.

Oltre al display per la temperatura, l'apparecchio ha una piccola spia luminosa blu. Questa spia lampeggia fino a quando l'apparecchio non raggiunge la temperatura selezionata. Una volta ottenuta la temperatura richiesta, la spia smette di lampeggiare. Tuttavia, aggiungendo nuovi ingredienti al recipiente la spia blu ricomincia a lampeggiare, visto che la temperatura si riduce per via dell'introduzione di ingredienti freddi. Inoltre, potreste anche notare che la spia inizia a lampeggiare quando la frequenza di miscelazione viene aumentata.

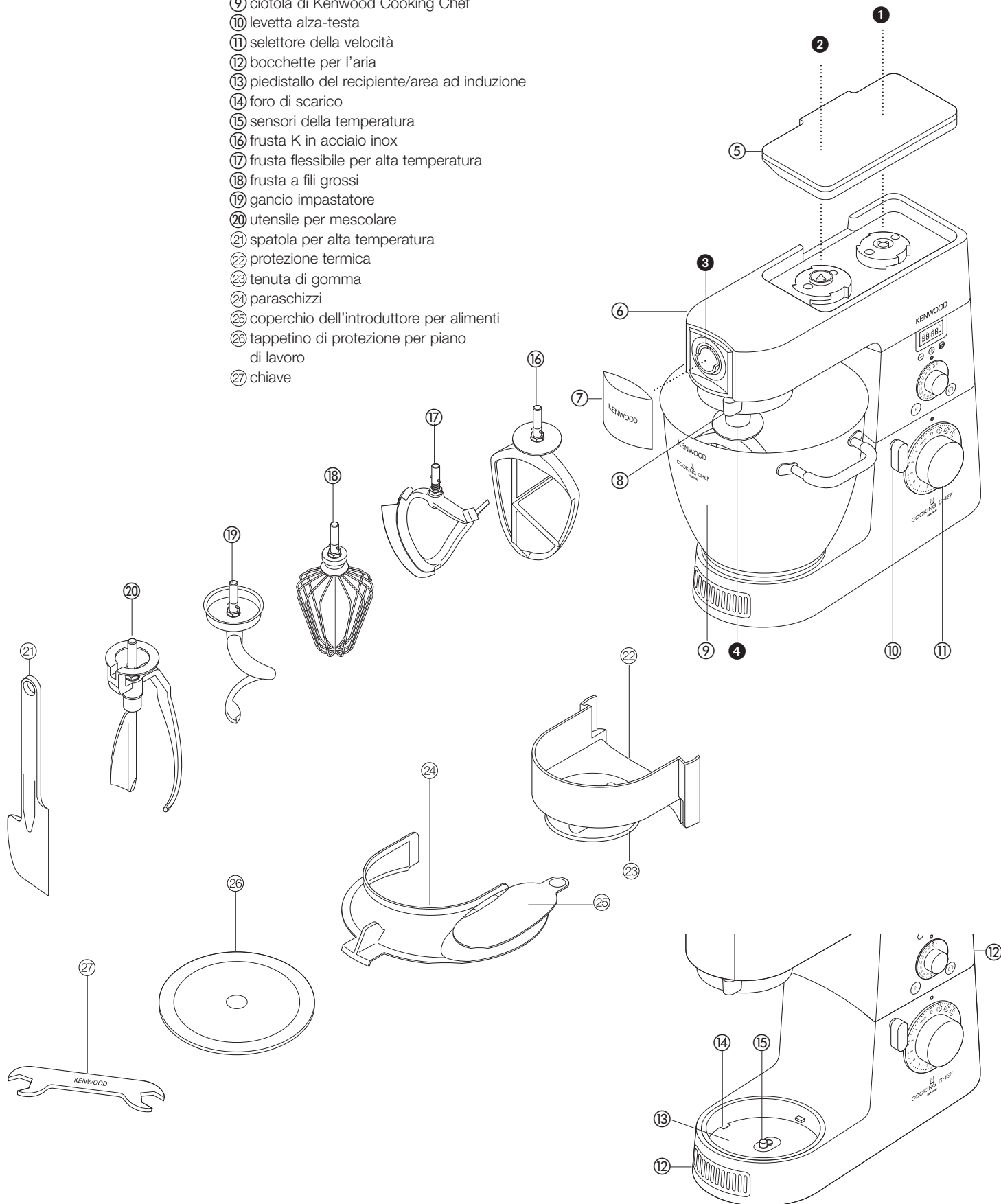
Ben presto, capirete che il vostro Kenwood Cooking Chef è molto semplice da usare e vi faciliterà la preparazione dei piatti di tutti i giorni.

per conoscere il vostro Kenwood Cooking Chef

- attacchi per gli accessori
- 1 attacco ad alta velocità
 - 2 attacco a media velocità
 - 3 attacco a bassa velocità
 - 4 attacco per utensili

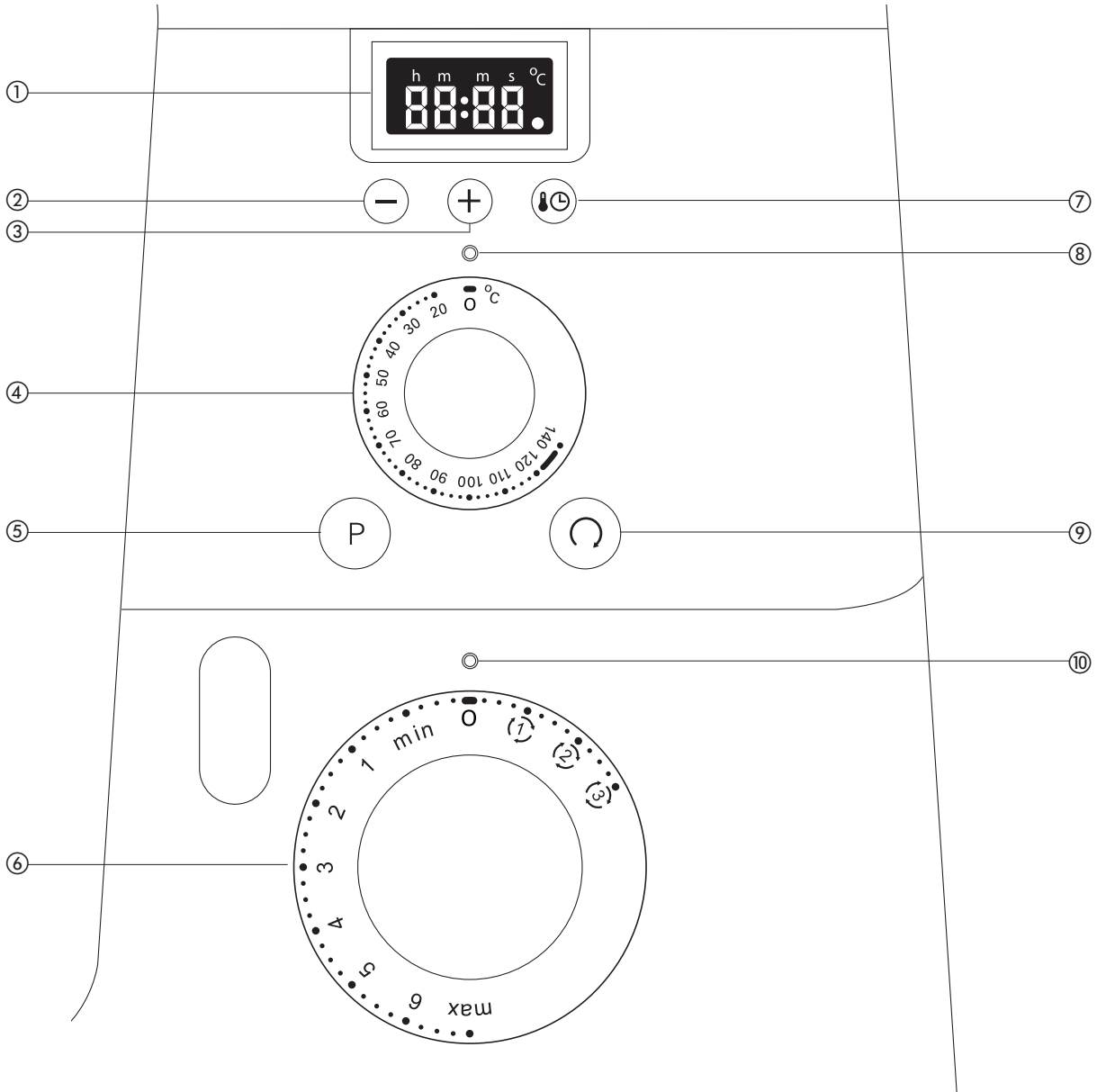
Kenwood Cooking Chef

- 5 coperchio dell'attacco a media/alta velocità
- 6 testa della macchina
- 7 coperchio dell'attacco a bassa velocità
- 8 leva dell'attacco a bassa velocità
- 9 ciotola di Kenwood Cooking Chef
- 10 levetta alza-testa
- 11 selettore della velocità
- 12 bocchette per l'aria
- 13 piedistallo del recipiente/area ad induzione
- 14 foro di scarico
- 15 sensori della temperatura
- 16 frusta K in acciaio inox
- 17 frusta flessibile per alta temperatura
- 18 frusta a fili grossi
- 19 gancio impastatore
- 20 utensile per mescolare
- 21 spatola per alta temperatura
- 22 protezione termica
- 23 tenuta di gomma
- 24 paraschizzi
- 25 coperchio dell'introduttore per alimenti
- 26 tappetino di protezione per piano di lavoro
- 27 chiave



pannello di controllo

- ① display per timer/temperatura
- ② tasto timer -
- ③ tasto timer +
- ④ controllo della temperatura
- ⑤ tasto Funzione Pulse , per montare ad alta velocità
- ⑥ controllo della velocità
- ⑦ selettore per timer/temperatura
- ⑧ spia di controllo della temperatura
- ⑨ tasto per amalgamare
- ⑩ spia di controllo della velocità



come regolare l'altezza degli utensili

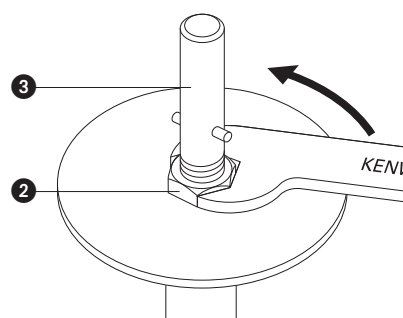
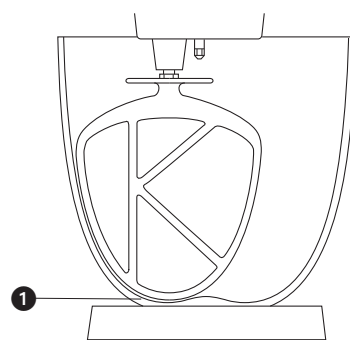
Per le istruzioni relative al montaggio di Kenwood Cooking Chef, vedere pag. 80.

frusta a fili grossi, frusta in acciaio inox, utensile per mescolare

Per ottenere i migliori risultati, il frusta a fili grossi, la frusta in acciaio inox e l'utensile per mescolare devono **quasi** fare contatto con il fondo del recipiente **1**. Se necessario, regolare la loro altezza con la chiave in dotazione.

Ecco come farlo:

- 1 Disinserire la spina dell'apparecchio dalla presa elettrica.
- 2 Sollevare la testa della macchina e inserire la frusta a fili, la frusta o l'utensile per mescolare.
- 3 Abbassare la testa della macchina. Se occorre regolare il gioco, sollevare la testa e staccare l'utensile.
- 4 Usando la chiave fornita, allentare a sufficienza il dado **2** per consentire la regolazione dell'alberino **3**. Per abbassare l'utensile verso il fondo del recipiente, ruotare in senso antiorario l'alberino. Per sollevare l'utensile allontanandolo dal fondo del recipiente, ruotare l'alberino in senso orario.
- 5 Ristringere il dado.
- 6 Montare l'utensile sul mixer e abbassare la testa dell'apparecchio. (Controllare la sua posizione – vedi i punti suddetti).
- 7 Se necessario, ripetere questa procedura fino a quando l'utensile è regolato in modo corretto. A questo punto, restringere a fondo il dado.



frusta flessibile per alta temperatura – questo utensile deve toccare appena il fondo del recipiente.

gancio impastatore – questo utensile è regolato in fabbrica e non dovrebbe essere necessario modificarne l'impostazione.

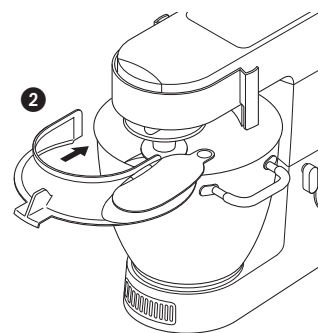
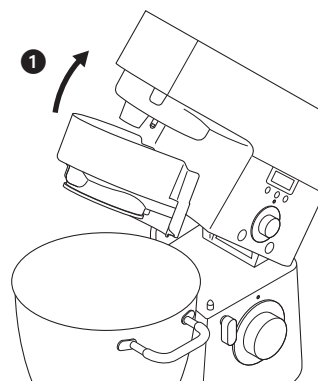
come montare e usare il gruppo del paraschizzi

Il gruppo del paraschizzi comprende 2 componenti: la protezione termica e il paraschizzi.

La protezione termica deve essere installata durante la cottura, altrimenti il mixer non entra in funzione e il display mostra il codice di errore E:03. La protezione termica protegge la testa del mixer dal vapore generato in fase di cottura.

Se necessario, è possibile installare sia la protezione termica che il paraschizzi, per mantenere gli ingredienti all'interno del recipiente (es. quando si miscelano ingredienti leggeri, come farina e zucchero a velo, dove occorre mantenere l'umidità all'interno del recipiente). Il paraschizzi non va installato sul recipiente se non è usato insieme alla protezione termica.

- 1 Sollevare la testa del mixer fino a quando non si blocca.
 - 2 Spingere verso l'alto la protezione termica, sulla parte sottostante della testa del mixer **1**, fino a inserirla a fondo. Non usare mai la protezione termica senza inserire correttamente la tenuta di gomma.
 - 3 Ora inserire il recipiente sulla base.
 - 4 Abbassare la testa del mixer.
 - 5 Appoggiare il paraschizzi sul bordo del recipiente e poi spostarlo in avanti fino a inserirlo bene **2**.
 - Durante la miscelazione è possibile aggiungere gli ingredienti direttamente nel recipiente, utilizzando l'introduttore.
 - 6 Per estrarre il paraschizzi basta semplicemente allontanarlo dall'apparecchio.
 - 7 Per togliere la protezione termica, sollevare la testa del mixer finché non si blocca. Estrarre l'utensile, quindi spingere la protezione termica verso il basso per staccarla dalla base della testa del mixer.
- NB: Installare od estrarre il paraschizzi solo quando la testa del mixer si trova in posizione bloccata.



il mixer

utensili per miscelare e possibili usi

- frusta a K • Per preparare torte, biscotti, pastafrolla, glassa, farciture, bignè e purè di patate.
- frusta a fili grossi • Per uova, panna, pastelle, pan di Spagna senza grassi, meringhe, torte alla ricotta, mousse, soufflé. Non usare la frusta a fili grossi per miscele dense (es. per amalgamare burro/margarina e zucchero), altrimenti si rischia di danneggiarlo.
- gancio impastatore • Solo per miscele a lievitazione.
- frusta flessibile per alta temperatura • Idonea per molte operazioni di cottura, in particolare per cuocere crema pasticciera, uova strapazzate e salse. Ideale per staccare miscele calde e fredde dalle pareti del recipiente, durante la miscelazione. Adatta anche per le verdure saltate.
- utensile per mescolare • Idoneo in fase di cottura, per mantenere la consistenza dei cibi es. pollo, pesce, verdure e frutta.

come usare il mixer

Prima di utilizzare il mixer, verificare che i controlli per temperatura e velocità siano in posizione 'O'.

- 1 Ruotare la leva alza-testa in senso orario **1** e sollevare la testa del mixer fino a bloccarla in posizione.

- 2 Inserire l'utensile nell'attacco, con il perno dell'alberino all'interno della scanalatura, poi ruotare per bloccarlo in posizione **2**.

utensile per mescolare – per montare l'utensile per mescolare, inserire il suo alberino nell'attacco, allineare la fessura sull'estensione, affinché venga a trovarsi sotto il perno metallico sul lato sottostante della testa del mixer. Tenere la paletta e ruotare fino a quando il perno dell'alberino risulta sotto la scanalatura, quindi spingere verso l'alto e ruotare per bloccare in posizione **3**.

- 3 Collocare il recipiente sulla base, premerlo verso il basso e ruotare in senso orario **4**.

- 4 Per abbassare la testa del mixer, sollevarla leggermente e poi ruotare in senso orario la leva alza-testa. Abbassare nella posizione bloccata.

- come estrarre un utensile • Invertire lo stadio 2 suddetto. (Usare sempre dei guanti da forno per estrarre gli utensili dopo la cottura).

- 5 Collegare il mixer all'alimentazione elettrica. Ora le spie indicatrici di velocità e temperatura si accendono per qualche istante. Nel display appare **88:88**. e poi scompare, lasciando acceso l'indicatore di alimentazione **□**.

- 6 Impostare il controllo della velocità sulla posizione desiderata (vedere pag. 81 per i consigli). Ora il mixer entra in funzione e la spia indicatrice del controllo della velocità lampeggia. Il timer parte, contando a intervalli di 1 secondi. La velocità può essere variata in qualunque momento durante l'uso del mixer.

- 7 Fermare il mixer riportando il controllo della velocità sulla posizione spenta 'O'.

Importante – Se la testa del mixer viene sollevata in qualsiasi momento durante l'uso, l'apparecchio si ferma automaticamente e non riparte quando la testa viene riabbassata. Per fare ripartire il mixer, spostare il controllo della velocità sulla posizione spenta 'O' e poi selezionare nuovamente una velocità.

Funzione Pulse

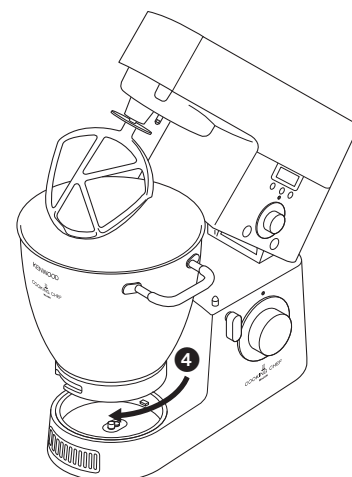
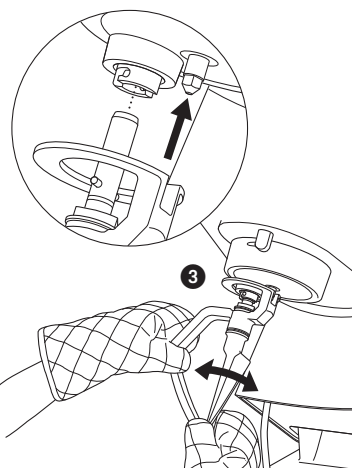
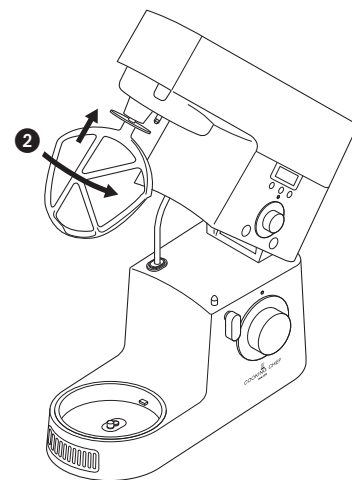
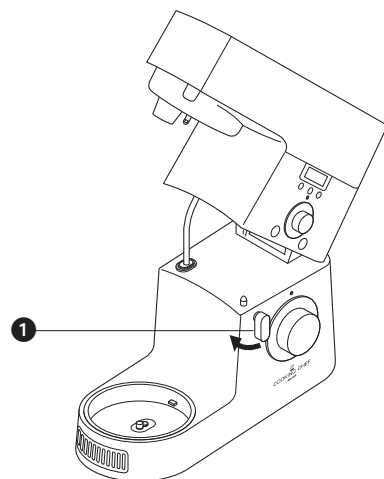
La funzione Pulse è utilizzabile solo con il controllo della velocità in posizione spenta 'O'.

Per selezionare la funzione Pulse, premere il tasto Pulse **P**. Ora il mixer funziona a velocità massima fino a quando si continua a tenere premuto il tasto in questa posizione. Se i cibi nel recipiente hanno una temperatura di oltre 60°C, la velocità aumenta in modo graduale. Questo è accompagnato da un segnale acustico e dalle spie indicatrici di velocità e temperatura che lampeggiano in modo rapido.

tasto per mescolare a bassissima velocità

Premendo e rilasciando il tasto per amalgamare **Ω**, il mixer funziona automaticamente a velocità minima per 2 giri e poi si ferma. Questo tasto può essere tenuto premuto più a lungo, oppure premuto ripetutamente, come necessario per amalgamare gli ingredienti.

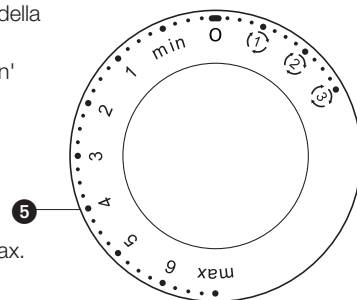
NB: Se il tasto per amalgamare viene premuto mentre il motore gira, l'apparecchio amalgama gli ingredienti in modo consueto e poi si ripristina sulla velocità selezionata.



controllo della velocità 5

Le velocità seguenti sono a semplice titolo di guida e variano a seconda della quantità e della temperatura degli ingredienti miscelati, ecc.

Ruotare in senso orario il controllo della velocità per avere velocità da 'min' fino a 'max'.



- frusta • **per amalgamare burro/margarina e zucchero** iniziare al min. e passare gradualmente a 'max'.
- **per sbattere le uova** 4 - 'max'.
- **per incorporare farina, frutta ecc.** min - 1
- **miscele per torte** iniziare a velocità min. e passare gradualmente a max.
- **per incorporare burro/margarina nella farina** min - 2.
- frusta flessibile per alta temperatura • **per amalgamare burro/margarina e zucchero** iniziare al min. e passare gradualmente a 3.
- **per staccare miscele calde e fredde dalle pareti del recipiente** iniziare al min. e passare gradualmente a 3.
- **per saltare verdure, mescolare risotti e polenta, ecc.** usare (1).
- frusta a fili grossi • Aumentare gradualmente fino a 'max'.
- gancio impastatore • Iniziare al 'min' e passare gradualmente a 1.
- utensile per mescolare • Usare solo con le impostazioni per mescolare (1), (2) e (3).

impostazioni per mescolare

Per scegliere le impostazioni per mescolare, ruotare in senso antiorario il controllo della velocità. Queste impostazioni sono più idonee quando il mixer è usato nella modalità di cottura. Si ricorda che per usare le impostazioni per mescolare, tutti i coperchi degli attacchi devono essere installati.

- (1) – Usare questa impostazione se si richiede una bassa velocità costante, es. per mescolare le salse.
- (2) – Impostando il controllo della velocità in questa posizione, il mixer funziona a intermittenza a bassa velocità ogni 5 secondi, per 2 giri circa.
- (3) – Impostando il controllo della velocità in questa posizione, il mixer funziona a intermittenza a bassa velocità ogni 30 secondi, per mescolare pasticci, ecc.

Per fermare la procedura, rispostare il controllo della temperatura sulla posizione spenta 'O'.

NB:

- Ogni volta che si seleziona una velocità, la spia indicatrice della velocità lampeggia.
- Durante l'uso è possibile che l'apparecchio produca un segnale acustico penetrante. Questo è normale.

come usare il mixer per cucinare

IMPORTANTE

- Controllare che l'area ad induzione, i sensori della temperatura e l'esterno della base del recipiente siano puliti. In caso contrario, il sensore termico viene compromesso e si avrà una cottura scadente.
- Verificare che tutti i coperchi degli attacchi, compresa la protezione termica, siano installati. Se non sono stati montati correttamente, la funzione di riscaldamento non si attiva.
- Usare sempre dei guanti da forno per estrarre gli utensili dopo la cottura.

1 Montare il mixer come spiegato a pag. 80.

2 Ruotare il controllo della temperatura fino all'impostazione desiderata.

- **L'apparecchio non inizia a riscaldare se prima non viene selezionata una velocità.**

3 Ruotare il controllo della velocità fino alla velocità desiderata: ora il motore e il riscaldatore si accendono. Entrambe le spie indicatrici iniziano a lampeggiare.

4 Una volta raggiunta la temperatura impostata, la spia indicatrice della temperatura rimane accesa.

Tuttavia, nel corso della cottura inizia a lampeggiare se la temperatura cambia, per indicare che il mixer sta cercando di mantenere la temperatura selezionata (si prega di leggere l'introduzione a pag. 75).

- Se la temperatura nel recipiente supera 60°C, per ragioni di sicurezza la velocità viene automaticamente limitata, anche se l'utilizzatore imposta una velocità superiore. La velocità non aumenta in modo automatico quando la temperatura scende a meno di 60°C. Prima, infatti, occorre spegnere il controllo della velocità e rileselionare la velocità desiderata.

• NB: Ogni volta che si preme il selettore per timer/temperatura, il display alterna fra la visualizzazione del timer e quella della temperatura del contenuto del recipiente.

5 Per fermare o mettere in pausa la procedura di miscelazione e riscaldamento, riportare il controllo delle velocità alla posizione spenta 'O'. Per proseguire, selezionare una velocità.

consigli

- **Per alcune ricette, in particolare quelle ad alto contenuto di acqua, non sarà possibile raggiungere temperature di cottura oltre 100°C (ossia il punto di ebollizione dell'acqua).**
- Quando si desidera aggiungere ingredienti nel recipiente in fase di cottura, ridurre la velocità e versarli in modo lento e continuo.
- Per riscaldare velocemente le salse, mescolarle in modo continuo (1).
- Cambiando l'accessorio per svolgere diversi trattamenti nella preparazione dei vostri piatti potrete ottenere risultati migliori, per esempio usando la frusta flessibile per alta temperatura per friggere verdure e poi l'utensile per mescolare per la cottura di carne rossa o pollame.
- Se durante la cottura viene utilizzato il paraschizzi, toglierlo sempre prima di sollevare la testa del mixer. Attenzione alla condensa che si forma sul paraschizzi e sulla protezione termica.
- Sollevare la testa del mixer lentamente, per consentire all'eventuale liquido presente sulla parte sottostante della protezione termica di rifluire nel recipiente.
- Sono disponibili tre diverse impostazioni per mescolare, consentendovi di scegliere la funzione più idonea per ciascuna ricetta. Infatti, per alcune ricette occorre mescolare di continuo gli ingredienti, per evitare che si attacchino sul fondo del recipiente, mentre per altre basta mescolare in modo intermittente, per meglio mantenere la consistenza dei cibi.
- Per un rendimento ottimale, regolare l'altezza degli utensili – vedere pag. 79.
- Il tempo massimo di cottura è 3 ore. In seguito, il mixer si spegne in modo automatico.
- È possibile riscaldare i cibi senza installare alcun utensile, ma occorre sempre selezionare una velocità. Questo può risultare utile nel fondere alimenti come burro o cioccolato.
- Ogni volta che si preme il selettore per timer/temperatura, il display alterna fra la visualizzazione del tempo di cottura e quella della temperatura raggiunta in quel momento.

funzione per montare ad alta velocità e ad alta temperatura

Per frullare ad alta velocità a temperature oltre 60°C, ruotare il controllo della velocità fino all'impostazione desiderata, poi premere e tenere premuto il tasto Pulse. Questo è accompagnato da un segnale acustico e dalle spie indicatrici di velocità e temperatura che lampeggiano in modo rapido. La velocità della lavorazione degli ingredienti aumenta lentamente, fino alla velocità selezionata.

Ripetere la procedura per aumentare ulteriormente la velocità. È possibile ridurre la velocità o spegnere il mixer nel modo consueto.

Questa funzione DEVE essere usata solo con la frusta a fili grossi. Non superare la massima capacità di cottura di 3 litri e controllare che il paraschizzi sia installato. Non lasciare incustodito l'apparecchio.

dopo la cottura

- Attenzione nel maneggiare o toccare qualsiasi parte del mixer, quando viene usato nella modalità di cottura o dopo la cottura, IN PARTICOLARE IL RECIPIENTE, IL PARASCHIZZI E GLI UTENSILI, che continueranno a SCOTTARE anche diverso tempo dopo che l'apparecchio è stato spento. Per estrarre e spostare il recipiente, servirsi dei manici. Usare guanti da forno al momento di maneggiare il recipiente caldo e gli utensili per miscelare.
- La base del recipiente continua a scottare anche parecchio tempo dopo il termine della cottura. Fare attenzione nel maneggiare il recipiente e usare il tappetino di protezione prima di appoggiarlo a superfici sensibili al calore.

display

Per vostra sicurezza, il mixer è dotato di 5 sensori separati di sicurezza, che entrano in funzione quando il mixer viene usato nella modalità di cottura. Se il mixer viene acceso e un sensore di sicurezza si attiva, il display per timer/temperatura mostra un messaggio di errore, ad es. 'E:01'. Inoltre, l'apparecchio genera un segnale acustico e il mixer non entra in funzione. Controllare i messaggi di errore che seguono:

Messaggio di errore	Descrizione	Soluzione
E:01	Con la testa sollevata, un sensore di sicurezza impedisce al motore e al riscaldatore di attivarsi. Se il controllo della velocità non è in posizione spenta ('O') quando la testa viene sollevata, il display indica questo messaggio e il motore non si accende.	Abbassare la testa. Ruotare il controllo della velocità alla posizione 'O' e poi selezionare la velocità desiderata.
E:02	Il recipiente di Kenwood Cooking Chef non è installato. La funzione di riscaldamento si attiva solo utilizzando il recipiente per la cottura. Inoltre, il recipiente deve essere inserito in modo corretto. Sensori di sicurezza rilevano un recipiente diverso, oppure l'errato inserimento del recipiente per cottura.	Verificare che venga utilizzato il recipiente di Kenwood Cooking Chef. Controllare che il recipiente sia montato in modo corretto. Ruotare il controllo della velocità su 'O' e poi selezionare la velocità desiderata.
E:03	La protezione termica non è stata installata. Se la protezione termica non è installata correttamente, la funzione di riscaldamento rimane disattivata.	Verificare che la protezione termica sia montata in modo corretto. Ruotare il controllo della velocità su 'O' e poi selezionare la velocità desiderata.
E:04	Non vi sono coperchi sull'attacco a bassa velocità e su quello a alta/media velocità. Questi coperchi sono provvisti di sensori di sicurezza. Se i coperchi non sono installati in modo corretto, il riscaldamento si spegne; se l'utilizzatore seleziona una funzione per mescolare i cibi, il motore funziona in modo continuo. Le velocità di miscelazione da min a max funzionano continuamente.	Verificare che tutti i coperchi siano installati in modo corretto. Ruotare il controllo della velocità su 'O' e poi selezionare la velocità desiderata.
E:09	Problema con un sensore della temperatura. Il termostato rileva una temperatura del recipiente maggiore del previsto durante l'uso normale, motore e sistema di riscaldamento si spegneranno automaticamente.	Ruotare il controllo della velocità su 'O', disinserire la spina dell'apparecchio dalla presa elettrica e lasciarlo raffreddare. Controllare che la base del recipiente e i sensori della temperatura siano puliti. Reinserrire la spina e accendere l'apparecchio come di consueto.
E:10	Problema di velocità o surriscaldamento del motore. Se il motore stalla o si surriscalda, il sistema di controllo spegne automaticamente motore e sistema di riscaldamento.	Ruotare il controllo della velocità su 'O' e poi selezionare la velocità desiderata. Eliminare le eventuali ostruzioni che causano lo stallo del motore. Controllare che tutte le bocchette dell'aria non presentino ostruzioni. Inserire la spina dell'apparecchio nella presa elettrica e accenderlo.

Se questi o altri codici di errore continuano ad apparire nel display, contattare l'Assistenza tecnica Kenwood.

per usare il conto alla rovescia con timer

Il timer può essere usato sia in modalità di cottura che senza la cottura. Se l'utilizzatore non seleziona un tempo per il conto alla rovescia, il timer conta automaticamente in intervalli di 1 secondo durante il funzionamento del mixer. Il tempo massimo è 3 ore.

- 1 Collegare il mixer all'alimentazione elettrica. Nel display appare brevemente **88:88.** e poi scompare, lasciando visibile l'indicatore di alimentazione .
- 2 Premere il tasto + o -: ora nel display appare 0:00.
- 3 Premere i tasti + e - fino a visualizzare il tempo desiderato. Il timer parte, contando a intervalli di 5 secondi. Se il tasto viene premuto continuamente, più a lungo lo si preme e più velocemente i numeri cambiano. È possibile impostare un tempo massimo di 3 ore.
NB: Premendo il tasto + quando il timer indica 3:00, il tempo sul display passa a 0:00. Premendo il tasto - quando il timer indica 0:00, il tempo il display passa a 3:00.
- 4 Ruotare il controllo della velocità fino all'impostazione desiderata; ora il mixer entra in funzione e il timer avvia il conto alla rovescia in intervalli di 1 secondo.
 - Il mixer può essere messo in pausa in qualunque momento, ruotando il controllo della velocità in posizione spenta ('O'). In tal modo, anche il timer entra in pausa. Il timer prosegue il conto alla rovescia quando il mixer viene riacceso.
- 5 Il sistema di miscelazione si ferma automaticamente allo scadere del tempo totale e l'apparecchio emette segnali acustici per 3 secondi. Il display lampeggia per 5 secondi e poi visualizza l'indicatore di alimentazione .

come azzerare il timer

- 1 Azzerare il timer premendo simultaneamente i tasti + e - (il controllo della velocità deve trovarsi in posizione spenta, ossia 'O').
 - Se l'apparecchio non viene usato per 10 minuti, il display a LCD e la retroilluminazione entrano nel modo 'stand by' e tutti i display si spengono. Azionando un tasto o una manopola, il display torna al formato precedente.

capacità massime

pastafrolla	• Peso totale impasto: 910g
impasto lievitato duro	• Peso totale impasto: 1,5kg
	• Peso totale: 2,4kg
impasto lievitato soffice	• Peso totale impasto: 2,6kg
	• Peso totale: 5kg
miscela per torta di frutta	• Peso totale: 4,55kg
albumi	• 16
modalità di cottura	• 3 litri

- consigli generali
- Fermare frequentemente l'apparecchio e staccare con la spatola gli ingredienti aderiti al recipiente.
 - Per frullare è preferibile usare uova a temperatura ambiente.
 - Prima di montare gli albumi, controllare che sulla frusta a fili o nel recipiente non vi siano residui di grasso o di tuorlo d'uovo.
 - Per la pastafrolla usare ingredienti dal frigorifero, salvo indicato diversamente nella ricetta.

promemoria per fare il pane

- importante
- Non superare mai le capacità massime indicate, altrimenti l'apparecchio verrà sovraccaricato.
 - Se l'apparecchio impasta a fatica spegnerlo, togliere metà dell'impasto e impastare in due volte.
 - Gli ingredienti si impastano meglio aggiungendo per primi i liquidi.

guida alla localizzazione dei problemi in fase di cottura

Problema	Causa	Soluzione
Il mixer non funziona nella modalità di riscaldamento; visualizza un messaggio di errore e genera un tono di avvertimento.	Uno dei sensori di sicurezza si è attivato.	Vedere la tabella dei messaggi di errore, a pag. 83. <ul style="list-style-type: none"> • Controllare che la testa sia abbassata e bloccata. • Verificare che tutti i coperchi degli attacchi siano correttamente inseriti. • Verificare che la protezione termica sia montata in modo corretto. • Controllare che il recipiente di Kenwood Cooking Chef sia ben inserito.
È stata selezionata una temperatura, ma il contenuto del recipiente non si riscalda (la spia indicatrice della temperatura non è accesa).	Non è stata selezionata una velocità.	Selezionare una velocità.
Il mixer cambia velocità durante la cottura.	La velocità viene limitata in modo automatico quando il contenuto del recipiente giunge a 60°C.	Questo è un accorgimento di sicurezza.
I cibi si bruciano sul fondo del recipiente.	<ol style="list-style-type: none"> 1 La temperatura impostata potrebbe essere eccessiva. 2 Viene usato l'utensile sbagliato. 3 La funzione di miscelazione è troppo lenta. 4 L'utensile potrebbe non raggiungere la parte bassa del recipiente. 5 Il tempo impostato per il timer è troppo lungo. 6 Il sensore e/o la base del recipiente possono non essere puliti. 	<ol style="list-style-type: none"> 1 Ridurre la temperatura sulla manopola, oppure cucinare a una temperatura inferiore. 2 Verificare che l'utensile usato sia quello più adatto. 3 Alzare la frequenza di miscelazione, oppure mescolare in modo continuo. 4 Regolare l'utensile. 5 Cuocere per meno tempo (ma verificare che i cibi non siano crudi). 6 Controllare che queste aree vengano tenute pulire e asciutte.
La consistenza dei cibi non viene mantenuta.	<ol style="list-style-type: none"> 1 La temperatura selezionata è eccessiva. 2 La funzione di miscelazione è troppo veloce. 3 Gli ingredienti sono stati cotti per troppo tempo. 4 Viene usato l'utensile sbagliato. 	<ol style="list-style-type: none"> 1 Ridurre la temperatura. 2 Ridurre la velocità di miscelazione. 3 Ridurre il tempo di cottura (controllando che i cibi non siano crudi). 4 Verificare che l'utensile usato sia quello più adatto.
La velocità di miscelazione non è uniforme.	1 Ingredienti troppo grossi, troppo duri o troppo solidi.	<ol style="list-style-type: none"> 1 Tagliare gli ingredienti a pezzetti più piccoli, asportare i noccioli dalla frutta, fondere lentamente gli ingredienti senza usare alcun utensile (ma verificare di aver selezionato una velocità). 2 Aggiungere gli ingredienti dopo aver abbassato la testa. 3 Verificare che l'utensile usato sia quello più adatto.
Sono stati aggiunti ingredienti freddi a una miscela calda, ma il display della temperatura non risponde in modo rapido.	Se i cibi all'interno del recipiente non vengono mescolati bene, la loro temperatura potrebbe variare.	<ol style="list-style-type: none"> 1 Lasciare tempo per la miscelazione completa degli ingredienti. 2 Aumentare la velocità di miscelazione.
È difficile abbassare la testa del mixer con i cibi all'interno del recipiente.	Ingredienti duri, come il cioccolato, sul fondo del recipiente possono impedire alla testa del mixer di bloccarsi in posizione abbassata.	Aggiungere gli ingredienti dopo aver abbassato la testa.
Il mixer funziona in modo continuo selezionando la funzione (2) o (3) per mescolare.	I coperchi sono montati in modo non corretto sugli attacchi.	Verificare che tutti i coperchi degli attacchi siano correttamente inseriti.
L'uso degli accessori limita la velocità del motore.	È stato inserito un recipiente caldo.	Estrarre il recipiente, oppure lasciarlo raffreddare fino a 60°C.

accessori opzionali disponibili

Per acquistare un accessorio non in dotazione, vedere la sezione 'manutenzione e assistenza tecnica'.

accessorio codice

sfogliatrice ① **AT970A**

torchio per la pasta (non illustrati) usato insieme a AT970A

AT971A tagliatelle

AT972A tagliolini

AT973A trenette

AT974A spaghetti

accessorio per pasta ② **AT910** provvisto di trafila per maccheroni rigati

(è possibile installare 12 trafile facoltative più un accessorio per fare i biscotti)

grattugia a rulli ③ **AT643** con 5 tamburi

pressa per frutta ④ **AT644**

tritacarne ⑤ **AT950A** dotato di un mascherina fine, media e grossa, un ugello per salsiccia piccolo e uno grande e un accessorio per kebbe

tritacarne ⑥ **AT955** dotato di un mascherina fine, media e grossa, un ugello per salsiccia piccolo e uno grande e un accessorio per kebbe

macinagranaglie ⑦ **AT941A**

robot ⑧ **AT647** comprende 6 dischi di taglio e una lama

tagliaverdure a dischi ⑨ **AT340** comprende 7 dischi di taglio

spremiagrumi ⑩ **AT312**

frullatore ⑪ 1,5l acrilico **AT337**, 1,6 l vetro termoresistente **AT358**
1,5l acciaio inox **AT339**

mini tritatutto/macinatutto ⑫ **AT320A** con 4 vasetti in vetro e 4 coperchi

spremitore continuo ⑬ **AT641**

macchina per gelato ⑭ **AT957A**

pelapatate ⑮ **AT445**

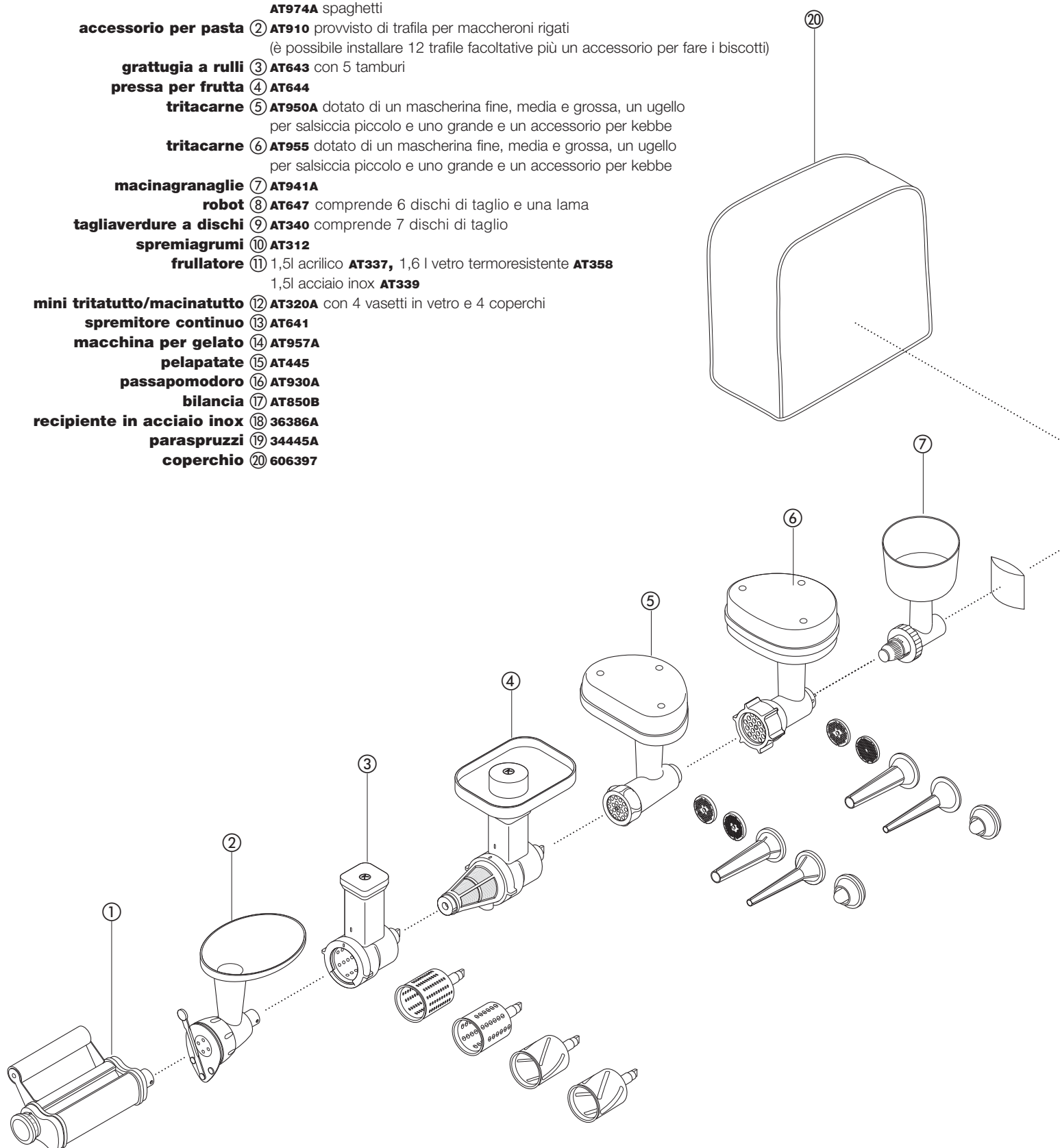
passapomodoro ⑯ **AT930A**

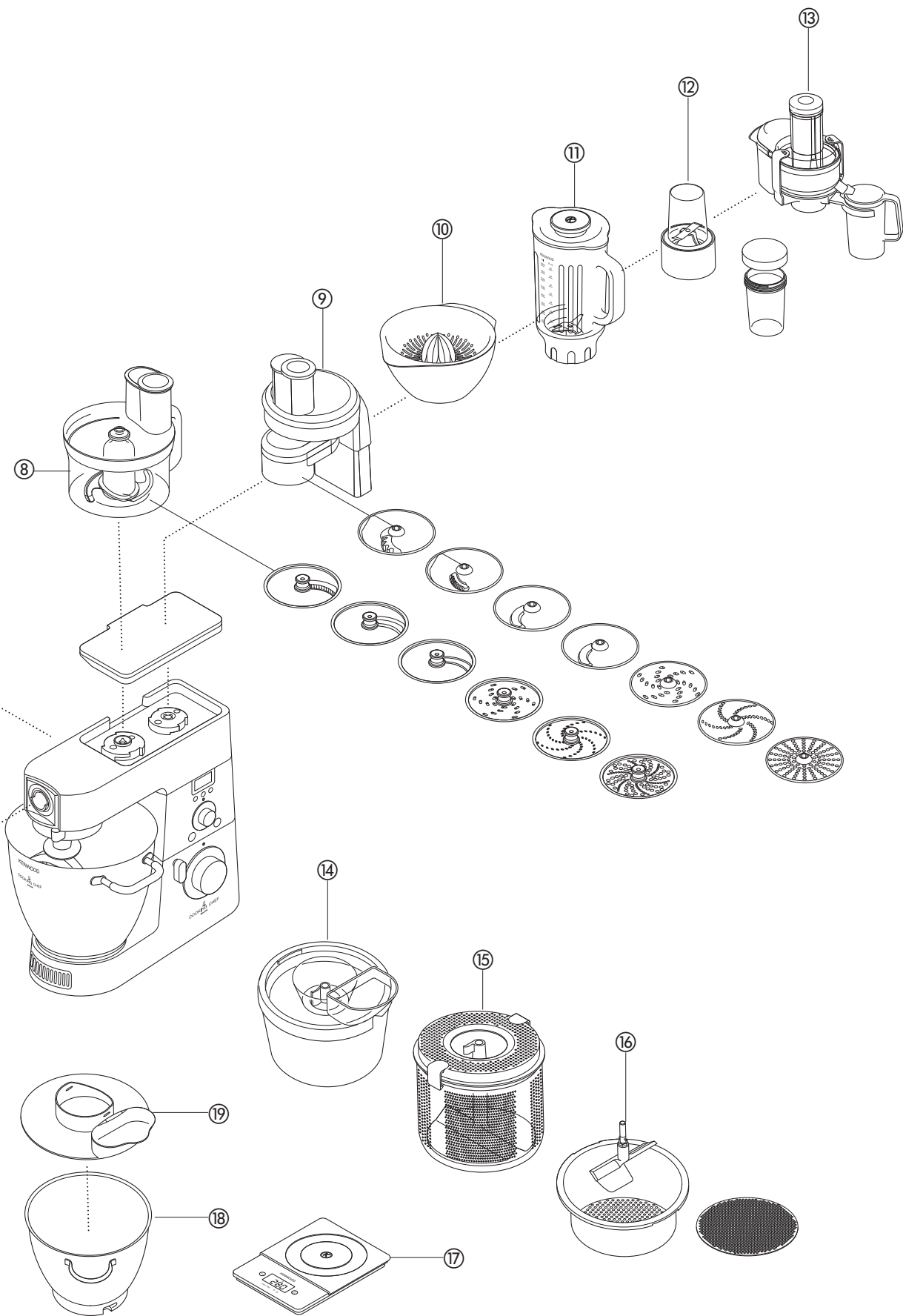
bilancia ⑰ **AT850B**

recipiente in acciaio inox ⑱ **36386A**

paraspruzzi ⑲ **34445A**

coperchio ⑳ **606397**

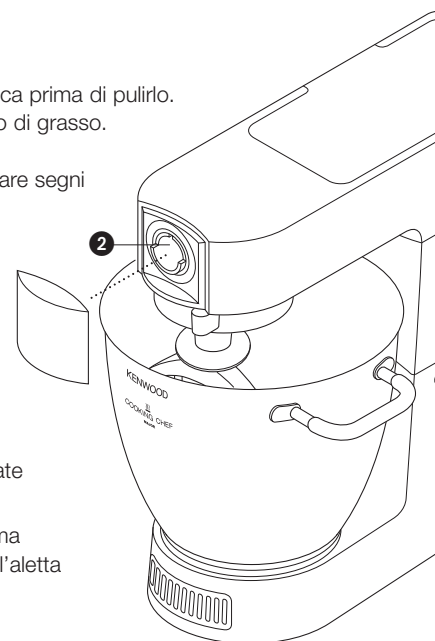




pulizia e assistenza tecnica

cura e pulizia

- Spegnerne sempre l'apparecchio e togliere la spina dalla presa elettrica prima di pulirlo.
- Con il primo uso, **dall'attacco 2** potrebbe essere visibile un poco di grasso. Questo è normale – asportare i residui.
- Le superfici metalliche dei sensori della temperatura possono mostrare segni di usura durante l'uso normale. Tuttavia, questo non compromette il rendimento del prodotto.
- Non lasciare la frusta flessibile ad alta temperatura montata sull'apparecchio quando non viene utilizzata.



Apparecchio e copriprese

- Passarli con un panno umido e poi asciugare.
- Non usare mai prodotti abrasivi né immergere in acqua questi componenti.

frusta flessibile ad alta temperatura

- Rimuovere sempre la lama dell'aletta flessibile prima di pulire.
- Lavare la lama dell'aletta flessibile e l'accessorio con acqua calda e detergente, poi asciugare bene, oppure le parti possono essere lavate in lavastoviglie.

NB: Si prega di verificare le condizioni del corpo dell'accessorio prima e dopo l'uso e di verificare regolarmente le condizioni della lama dell'aletta flessibile e di sostituirla nel caso siano evidenti segni di usura.

recipiente, utensili, paraschizzi

- Lavarli a mano e asciugarli a fondo, oppure lavarli in lavastoviglie
- Non usare spazzole metalliche, pagliette o candeggina per pulire il recipiente in acciaio inox. Per asportare il calcare, utilizzare aceto o un prodotto idoneo.
- Se i cibi aderiscono o si bruciano nel recipiente, asportarli per quanto possibile usando la spatola in dotazione. Riempire il recipiente di acqua calda saponata e lasciare a bagno. Asportare i residui più ostinati con una spazzola in nylon.
- L'eventuale scolorimento del recipiente non ne compromette il rendimento.

foro di scarico

- Controllare che non vi siano residui di alimenti. Se necessario, pulire con uno spazzolino per tubature o con un bastoncino di cotone idrofilo.

sensori della temperatura

- Passarli con un panno umido e poi asciugare. Non usare mai prodotti abrasivi o utensili appuntiti per pulire i sensori.

manutenzione e assistenza tecnica

- In caso il cavo sia danneggiato, per ragioni di sicurezza deve essere sostituito solo dal fabbricante oppure da un Centro Assistenza KENWOOD autorizzato alle riparazioni.

Se si ha bisogno di assistenza riguardo:

- uso dell'apparecchio o
- manutenzione o riparazioni

Contattare il negozio dove si è acquistato l'apparecchio.

- Disegnato e progettato da Kenwood nel Regno Unito.
- Prodotto in Cina.



IMPORTANTI AVVERTENZE PER IL CORRETTO SMALTIMENTO DEL PRODOTTO AI SENSI DELLA DIRETTIVA EUROPEA 2002/96/EC.

Alla fine della sua vita utile il prodotto non deve essere smaltito insieme ai rifiuti urbani. Deve essere consegnato presso gli appositi centri di raccolta differenziata predisposti dalle amministrazioni comunali, oppure presso i rivenditori che offrono questo servizio. Smaltire separatamente un elettrodomestico consente di evitare possibili conseguenze negative per l'ambiente e per la salute derivanti da un suo smaltimento inadeguato e permette di recuperare i materiali di cui è composto al fine di ottenere notevoli risparmi in termini di energia e di risorse. Per rimarcare l'obbligo di smaltire separatamente gli elettrodomestici, sul prodotto è riportato il simbolo del bidone a rotelle barrato.

ricette

Vedere il promemoria per fare il pane, a pag. 84.

pane bianco *impasto duro con lievito*

- ingredienti
- 1,36kg di farina per pane
 - 15ml (3 cucchiaini) di sale
 - 25g di lievito di birra fresco, oppure 15g/20ml di lievito di birra in polvere + 5ml (1 cucchiaino) di zucchero
 - 750ml di acqua tiepida: 43°C. Usare un termometro oppure aggiungere 250ml di acqua bollente a 500ml di acqua fredda.
 - 25g di strutto
- metodo
- 1 **lievito di birra in polvere** (il tipo che occorre ricostituire): versare l'acqua tiepida nel recipiente. Ora aggiungere lievito e zucchero e lasciare agire per circa 10 minuti, fino a quando non fa schiuma.
lievito di birra fresco: sbriciolarlo nella farina.
lievito di altro tipo: seguire le istruzioni del produttore.
 - 2 Versare il liquido nel recipiente. Ora aggiungere la farina (con il lievito fresco, se usato), il sale e lo strutto.
 - 3 Impastare a velocità minima per 45 – 60 secondi. Ora portare la velocità a 1, se necessario aggiungendo altra farina sino a formare un impasto.
 - 4 Lavorare per altri 3 – 4 minuti a velocità 1, fino a quando l'impasto risulta morbido, elastico e non aderisce ai lati del recipiente.
 - 5 Mettere l'impasto in un sacchetto di plastica leggermente imburrito o in una pirofila coperta da uno strofinaccio. Lasciare lievitare al caldo, fino a quando l'impasto raddoppia in dimensioni.
 - 6 Impastare nuovamente per 2 minuti a velocità 1.
 - 7 Riempire a metà quattro teglie imburrate da 450g con l'impasto, oppure fare dei panini.
Coprire con uno strofinaccio e lasciare lievitare al caldo fino a quando l'impasto raddoppia in dimensioni.
 - 8 Infornare a 230°C per 30 – 35 minuti *per le pagnotte*, o per 10 - 15 minuti per i *panini*.
- Quando è pronto, il pane deve dare un suono cavo se picchiato sul fondo.

pane bianco *impasto morbido con lievito*

- ingredienti
- 2,6kg di normale farina
 - 1,3 litri di latte
 - 300g di zucchero
 - 450g di margarina
 - 100g di lievito di birra fresco o 50g di lievito di birra in polvere
 - 6 uova sbattute
 - 5 pizzichi di sale
- metodo
- 1 Sciogliere la margarina nel latte e portare a 43°C.
 - 2 **lievito di birra in polvere** (il tipo che occorre ricostituire): aggiungere lievito e zucchero al latte e lasciare agire per 10 minuti circa, fino a quando non si vede schiuma.
lievito di birra fresco: sbriciolare nella farina e aggiungere lo zucchero.
lievito di altro tipo: seguire le istruzioni del produttore.
 - 3 Versare il latte nel recipiente. Aggiungere le uova sbattute e 2kg di farina.
 - 4 Lavorare a velocità minima per 1 minuto, poi a velocità 1 per un altro minuto.
Staccare l'impasto dalle pareti del recipiente.
 - 5 Aggiungere la restante farina e lavorare a velocità minima per 1 minuto, quindi a velocità 1 per 2-3 minuti, fino ad avere un impasto uniforme e ben amalgamato.
 - 6 Riempire a metà quattro teglie imburrate da 450g con l'impasto, oppure fare dei panini.
Coprire con uno strofinaccio e lasciare lievitare al caldo fino a quando l'impasto raddoppia in dimensioni.
 - 7 Infornare a 200°C per 20 – 25 minuti *per le pagnotte*, o per 10 – 15 minuti *per i panini*.
 - 8 Quando è pronto, il pane deve dare un suono cavo se picchiato sul fondo.
- Per 10 pagnotte circa.

ricette *continuaz.*

torta di fragole e albicocche

- Ingredienti: pan di Spagna
- 3 uova
 - 75g di zucchero semolato
 - 75g di farina
- farcitura e decorazione
- 150ml di panna da cucina
 - Zucchero, secondo i gusti
 - 225g di fragole
 - 225g di albicocche
- metodo
- 1 Dimezzare le albicocche e privarle dei noccioli. Cuocere a bassa temperatura in pochissima acqua, aggiungendo zucchero secondo le preferenze, fino a quando le albicocche non sono ben morbide.
 - 2 Lavare e dimezzare le fragole.
 - 3 Per fare il pan di Spagna, montare uova e zucchero a velocità massima, fino ad avere una miscela molto chiara e densa.
 - 4 Togliere il recipiente e il frullino dall'apparecchio. Incorporare la farina a mano, usando un grosso cucchiaino di metallo (procedere con attenzione, per avere un pan di Spagna leggero).
 - 5 Versare la miscela in due teglie quadrate, imburrate e rivestite di carta da forno, misuranti 18cm.
 - 6 Infornare a 180°C per circa 20 minuti, fino a quando la torta non risulta elastica premendola leggermente.
 - 7 Capovolgere e raffreddare su una griglia.
 - 8 Montare la panna a velocità massima, fino a quando non si indurisce. Aggiungere zucchero secondo le preferenze.
 - 9 Spezzettare grossolanamente le albicocche e un terzo delle fragole. Incorporarle in metà della panna.
 - 10 Distribuire su una metà della torta, poi sovrapporre l'altra metà.
 - 11 Spalmare la panna rimasta sulla torta e decorare con le restanti fragole.

meringhe

- ingredienti
- 4 albumi
 - 250g di zucchero a velo, setacciato
 - Rivestire una teglia con carta da forno antiaderente.
- metodo
- 1 Frullare gli albumi con lo zucchero a velocità massima per circa 10 minuti, fino a quando non formano picchi.
 - 2 Con un cucchiaino, distribuire la miscela sulla teglia (oppure usare una sacca da pasticceria con beccuccio da 2,5cm).
 - 3 Infornare a 110°C per circa 4 – 5 ore, fino ad avere meringhe consistenti e croccanti. Se iniziano a dorarsi, lasciare leggermente accostato lo sportello del forno.
- Conservare le meringhe in un contenitore ermetico.

pastafrolla

- ingredienti
- 450g di farina, setacciata insieme al sale
 - 5ml (1 cucchiaino) di sale
 - 225g di grasso (miscelare strutto e margarina direttamente dal frigorifero)
 - Circa 80ml (4 cucchiaini) di acqua
- consiglio
- Non lavorare eccessivamente gli ingredienti
- metodo
- 1 Versare la farina nel recipiente. Tagliare grossolanamente strutto e margarina a pezzetti e aggiungerli alla farina.
 - 2 Usare la frusta a K in acciaio inox e miscelare a velocità 1, fino ad avere la consistenza di briciole di pane. Fermarsi prima che l'impasto assuma un aspetto unto.
 - 3 Aggiungere l'acqua e miscelare a velocità minima. Fermarsi non appena l'acqua è stata incorporata.
 - 4 Cuocere a circa 200°C, a seconda del ripieno.

marinata al peperoncino

- ingredienti
- 200g di miele freddo (lasciato in frigorifero tutta la notte prima)
 - 1 peperoncino verde (intero)
 - 5ml (1c) di burro d'arachidi con pezzetti
 - condimento
- metodo
- 1 Mettere tutti gli ingredienti nel minisminuzzatore/macchinino
 - 2 Montare l'accessorio dell'apparecchio e lasciare adagiare gli ingredienti lungo la lama.
 - 3 Premere il tasto a impulso per 10 secondi.
 - 4 Usare a piacimento.

GARANZIA E SERVIZI DI ASSISTENZA

1. KENWOOD garantisce ai propri clienti l'applicazione di tutti i diritti contenuti nella Direttiva Europea 1999/44/CE sulla vendita dei beni di consumo, nonché dei diritti previsti dalle norme nazionali in materia.

In particolare sono coperti da garanzia tutti i possibili difetti di conformità e di fabbricazione presenti nel prodotto al momento della vendita che si manifestino nei primi 2 anni dalla data di acquisto.

2. Per il primo anno il cliente KENWOOD goderà pienamente dei diritti sopra indicati senza dover dimostrare l'esistenza del difetto di conformità o di fabbricazione al momento della vendita.
3. La conformità del prodotto verrà ripristinata dalla KENWOOD senza alcun onere per il cliente per manodopera e materiale nonché per le spese di intervento del tecnico a domicilio, limitatamente ai prodotti per i quali tale servizio sia previsto.
4. Per esercitare i diritti di cui sopra il cliente dovrà rivolgersi alla rete dei Centri Assistenza Autorizzati KENWOOD (contattare il numero verde sottoindicato) ed esibire unitamente al presente "certificato" un documento valido ai fini fiscali e rilasciato dal rivenditore e comprovante la data di acquisto del prodotto.
5. I diritti di cui ai punti 1, 2, 3 non si applicano ai seguenti casi :
 - ▶ Difetti causati da utilizzi non previsti nel libretto di istruzione che costituisce parte integrante del contratto di vendita.
 - ▶ Difetti causati da rotture accidentali, incuria, manomissione da parte di terzi non autorizzati, utilizzo di ricambi non originali.
6. Non sono da intendersi come prestazioni in garanzia gli interventi inerenti l'installazione, l'allacciamento agli impianti di alimentazione e le manutenzioni citate nel libretto delle istruzioni. Altresì viene escluso dalla garanzia il ricambio dei materiali di consumo (es. filtri, spazzole ecc.).
7. La KENWOOD declina ogni responsabilità per eventuali danni che possono, direttamente o indirettamente derivare a persone, cose ed animali domestici in conseguenza della mancata osservanza di tutte le prescrizioni indicate nell'apposito libretto di istruzioni e concernenti specialmente le avvertenze in tema di installazione, uso e manutenzione dell'apparecchio.



KENWOOD

Via Lodovico Seitz, 47
31100 Treviso - Italia

Português

antes de usar o seu aparelho Kenwood

- **Leia atentamente estas instruções e guarde-as para consulta futura.**
- Retire todas as embalagens e eventuais etiquetas.

conhecer a sua Máquina de Cozinhadora Kenwood Cooking Chef

segurança:

nota importante – implantes médicos electrónicos

- Tal como todos os produtos de aquecimento por indução, este aparelho gera campos magnéticos de curto alcance. Se algum utilizador ou pessoa que esteja próximo tem um pacemaker ou outros implantes activos, deve consultar um médico antes de utilizar este aparelho, para se informar de alguma possível incompatibilidade e poder prevenir qualquer risco para a saúde.
- Desligue o aparelho e retire-o da tomada antes de o levantar ou retirar qualquer acessórios, depois de utilizar e antes de limpar.
- Mantenha os dedos, cabelo, jóias, roupa larga, etc. e utensílios afastados das partes móveis e dos acessórios colocados.
- Nunca meta os seus dedos, etc., na dobradiça.
- Nunca deixe o aparelho a funcionar sem vigilância.
- Nunca utilize um acessório ou o aparelho danificado. Mande-o examinar ou reparar: ver “serviço e cuidados ao cliente”, página 106.
- Nunca utilize um acessório não autorizado ou mais do que um acessório ao mesmo tempo.
- Nunca exceda as capacidades máximas da página 102 e quando utilizar o aquecimento por indução nunca exceda o nível máximo de enchimento de 3 litros, marcado no interior da taça.
- Quando utilizar um acessório, leia as instruções de utilização e de segurança, que acompanham o aparelho.
- Este aparelho é pesado, tenha cuidado quando o levantar. Confirme que a cabeça do aparelho está presa e que a taça, acessórios, tampa das entradas e cabo estão também seguros antes de levantar o aparelho.
- Nunca deixe o cabo eléctrico pendurado de forma a que uma criança o possa puxar.
- Nunca deixe a unidade motriz, o cabo eléctrico ou a ficha eléctrica apanharem humidade.
- Tenha cuidado quando manusear ou tocar em qualquer parte do aparelho, quando estes estão a ser usados no modo de cozinhar ou após cozinhar, EM PARTICULAR A TAÇA, O RESGUARDO CONTRA SALPICOS E OS ACESSÓRIOS, uma vez que eles continuam QUENTES muito depois do aparelho ter sido desligado. Utilize as pegas para remover e transportar a taça. Utilize luvas para forno quando manusear a taça quente ou acessórios de mistura que estejam quentes.
- A parte de baixo da taça continua quente muito depois do aquecimento ter sido parado. Tenha cuidado quando manusear e utilizar o tapete de protecção da superfície de trabalho quando colocar a taça em superfícies sensíveis ao calor.
- Tenha cuidado com o vapor que sai da taça em especial quando abre a tampa no resguardo contra salpicos ou quando levanta a cabeça da misturadora.
- Se transferir alimentos quentes da misturadora para o liquidificador, deixe sempre que os alimentos arrefeçam até à temperatura ambiente, antes de os colocar no liquidificador.
- Utilize apenas a taça e os acessórios fornecidos com o aparelho. Nunca utilize a taça noutra fonte de aquecimento.
- Nunca opere o aparelho no modo de cozinhar, com a taça vazia.
- Nunca insira nada através dos respiradores.
- Quando utilizar este aparelho assegure-se que este se encontra numa superfície lisa e afastado de qualquer extremidade. Assegure-se que está pelo menos a mais de 10 cm afastado das paredes e que os respiradores não estão bloqueados. Não posicione o aparelho por baixo dos armários superiores da cozinha.
- Para utilizar de forma correcta e segura o aparelho de cozinhar por indução, assegure-se que a base da taça e os sensores de temperatura estão limpos e secos, antes de começar a cozinhar.
- Assim como com todos os aparelhos de cozinhar por indução, não coloque cartões de crédito, aparelhos magnéticos, computadores, discos de armazenamento, etc., ou equipamento electrónico sensível, perto do aparelho quando está a ser utilizado.
- Não utilize este aparelho para fritura de alimentos por emersão.
- Assegure-se sempre que os alimentos estão completamente cozinhados antes de os consumir.
- Os alimentos devem ser consumidos pouco tempo depois da cozedura ou então devem ser cozinhados de forma rápida e depois congelados o mais depressa possível.
- Este electrodoméstico não deverá ser utilizado por pessoas (incluindo crianças) com capacidades mentais, sensoriais ou físicas reduzidas ou com falta de experiência e conhecimento, a não ser que sejam supervisionadas ou instruídas sobre o uso do electrodoméstico por uma pessoa responsável pela sua segurança.
- As crianças devem ser vigiadas para garantir que não brincam com o electrodoméstico.
- Use o aparelho apenas para o fim doméstico a que se destina. A Kenwood não se responsabiliza caso o aparelho seja utilizado de forma inadequada, ou caso estas instruções não sejam respeitadas.

antes de ligar à corrente:

- Certifique-se que a sua corrente eléctrica tem a mesma potência que a mostrada na parte de baixo da sua máquina.
- Este aparelho está em conformidade com a directiva 2004/108/EC da CEE sobre Compatibilidade Electromagnética e o regulamento da CEE n.º. 1935/2004 de 27/10/2004 sobre materiais concebidos para estarem em contacto com alimentos.

antes de utilizar pela primeira vez:

Lave todos os componentes: ver “cuidados e limpeza” página 106.

introdução

Obrigado por ter adquirido esta Máquina de Cozinha Kenwood Cooking Chef e esperamos que tenha o prazer de a utilizar por muitos anos.

A Kenwood tem quase 60 anos de experiência e especialização no desenvolvimento das nossas Máquinas de Cozinha e a sua grande variedade de acessórios. As Máquinas de Cozinha Kenwood Chef Kitchen são famosas por serem muito mais do que uma simples misturadora de alimentos.

No desenvolvimento da Cooking Chef pegámos na muito conhecida versatilidade da Chef avançou um passo mais ao integrar uma Cozedura por Indução, directamente por baixo da taça de mistura. Pode agora desfrutar de todos os benefícios de uma mistura planetária quotidiana em “taça fria”, quando preparar os seus bolos, confeitaria e massa para pão, favoritos, mais a vantagem suplementar de aquecer e cozinhar directamente na taça, combinada com um misturador planetário. As possibilidades são infinitas.

A Kenwood Cooking Chef com o seu leque de acessórios opcionais é um verdadeiro sistema completo de preparação de alimentos.

Forte, Confiável, Versátil, Kenwood.

O que é a Cozedura por Indução e como funciona?

A cozedura por indução é um método avançado de cozedura que emprega os princípios da indução electromagnética. Quando uma corrente eléctrica é passada através de uma resistência em cobre na zona de cozedura por indução, cria-se um campo electromagnético. Quando a taça da Cooking Chef é colocada, o circuito é completado através de uma camada de aço inoxidável que se encontra na base da taça. Isto cria assim uma grande quantidade de energia térmica que passa através dos componentes da taça, aquecendo desta forma os alimentos.

A cozedura por indução tem uma elevada eficácia energética porque apenas produz calor na base da taça. Outros métodos de aquecimento tal como os fogões a gás, desperdiçam quase 50% da energia calorífica à volta dos lados da panela. De facto, a área de cozedura por indução da sua Cooking Chef apenas tem calor durante e imediatamente após a cozedura porque o calor é reabsorvido dos componentes da taça. Tudo isto significa que a cozedura por indução é muito eficiente, muito segura e muito limpa.

A funcionalidade de cozedura da sua Kenwood Cooking Chef é similar à utilização de uma caçarola no seu fogão. A vantagem adicional é que a Chef mexe automaticamente os seus alimentos e regula a temperatura de cozedura de acordo com as suas exigências específicas, deixando-a livre para, com toda a confiança, poder desempenhar descansada outras tarefas na sua cozinha.

A Cooking Chef utiliza tecnologia de aquecimento por indução que é extremamente eficiente. Quando comparada com cozinhar num fogão a gás ou eléctrico, pode comprovar que os tempos de cozedura são reduzidos ou que precisa de cozinhar a uma temperatura mais baixa. Este facto deve ser levado em consideração quando utiliza o seu aparelho pela primeira vez ou quando experimenta uma nova receita. Certifique-se que, quando começa a cozinhar a uma temperatura elevada, vigia e reduz o aquecimento sempre que necessário para impedir que os alimentos se queimem e/ou se peguem à taça, tal como faria com uma caçarola. Geralmente a Cooking Chef aquecerá automaticamente os alimentos à temperatura que você desejar e no mais curto espaço de tempo. Não é portanto necessário estabelecer uma temperatura mais elevada do que a necessária para reduzir o tempo de cozedura. Nesta altura deve também ter atenção à frequência da regulação para mexer os alimentos. Quando cozinhar a altas temperaturas pode precisar de mexer constantemente utilizando o mecanismo de mexer os alimentos (1). A regulação para mexer (2) e (3) são úteis para manter a consistência dos alimentos durante longos períodos de cozedura em lume brando.

A selecção do acessório correcto para a taça é também importante nesta altura. Mais à frente neste livro sugerimos as utilizações mais apropriadas para cada acessório e com experiência vai aprender rapidamente qual é a melhor para cada tarefa. Quando cozinhar vai ver que a varinha flexível para alta temperatura é a melhor para obter uma consistência macia para molhos e cremes, enquanto que a varinha para mexer é melhor quando cozinha alimentos que precisam de manter uma consistência mais sólida, tais como os gizados, estufados, etc. O nosso livro de receitas recomenda as melhores ferramentas para cada receita, e pode também descobrir que mudar o acessório para os diferentes processos durante a preparação das suas refeições lhe dará melhores resultados.

Durante a cozedura e imediatamente após, a taça, o resguardo contra salpicos e o acessório dentro da taça, ficarão quentes – tal como a sua caçarola ou panela ficariam. Tenha por favor cuidado quando tocar em qualquer destes objectos. É também importante lembrar que o processo de cozedura vai gerar vapor e condensação, devendo portanto ter cuidado quando olhar para o interior da taça, quando levantar a tampa de alimentação ou a cabeça da Cooking Chef para ver ou aceder à taça. Deve também avisar outras pessoas que estejam por perto, para que tenham também cuidado, quando a sua máquina está a trabalhar ou está quente. Quando tocar ou remover partes da máquina, é aconselhável utilizar luvas apropriadas para forno e transportar a taça sempre pelas pegas. Vai também notar que o tapete de protecção de superfícies é muito útil para proteger superfícies sensíveis ao calor.

Quando aquecer líquidos ou alimentos com grande quantidade de água, a exactidão da leitura da temperatura encontra-se normalmente entre +/- 5°C. A exactidão do ecrã e controlo de temperatura vai variar dependendo da consistência e do volume do conteúdo da taça, da frequência do mexer e do acessório da taça que está a usar. Mais uma vez, isto é idêntico a cozinhar num fogão, por exemplo, quando uma grande quantidade de alimentos são aquecidos numa panela grande mas não são mexidos de forma sistemática. Os alimentos estarão quentes na base da panela ou mesmo a queimar, enquanto que os alimentos mais à superfície estarão mais frios.

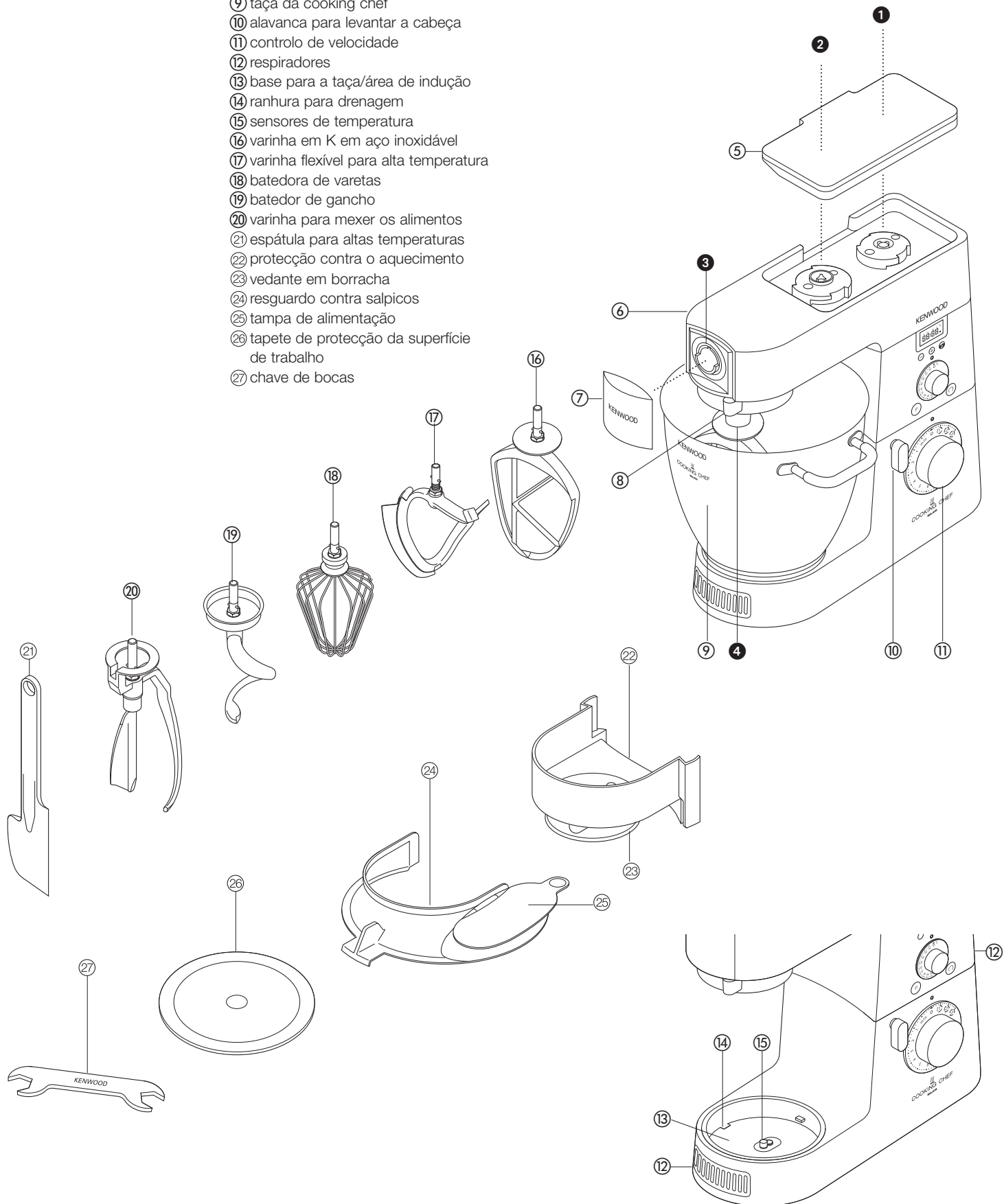
Adicionalmente ao ecrã da temperatura, a máquina possui um pequeno LED azul. Este pisca até a máquina atingir a temperatura seleccionada. Uma vez a temperatura requerida ser atingida, a luz pára de piscar. Deve, contudo, tomar atenção a que se adicionar mais tarde alimentos à taça, o LED azul volta a piscar, uma vez que a temperatura no interior da taça será reduzida pelos ingredientes frios. Vai também notar que a luz estática começa a piscar se a frequência do mexer aumentar.

Vai também descobrir depressa que a sua Kenwood Cooking Chef é simples de utilizar e que vai ajudá-la a preparar de forma fácil as suas refeições do dia-a-dia.

conhecer a sua Kenwood Cooking Chef

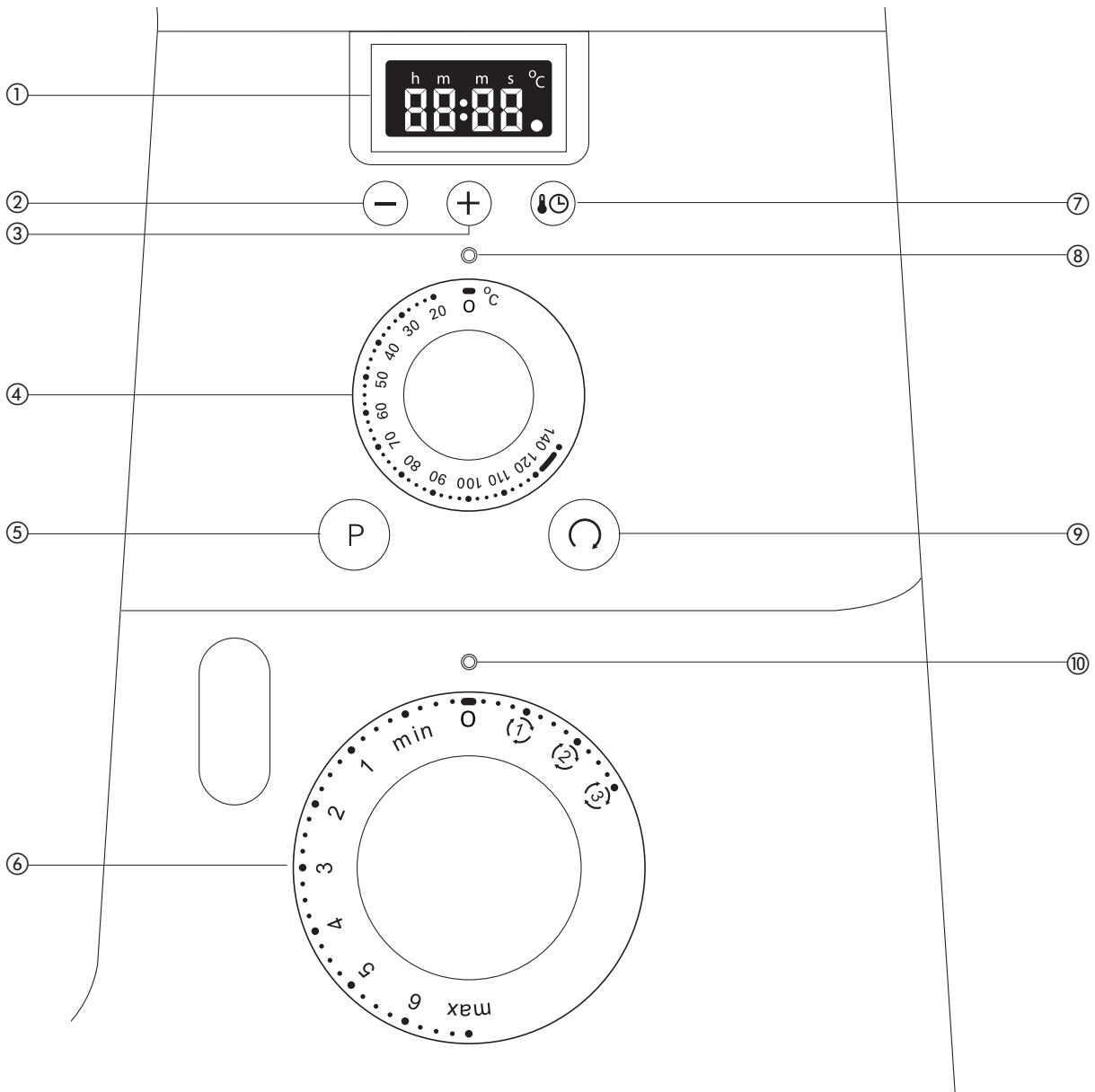
- entradas para acessórios
- 1 entrada de alta velocidade
 - 2 entrada de média velocidade
 - 3 entrada de baixa velocidade
 - 4 encaixe para acessório
- tampa da misturadora
- 5 das entradas de velocidade alta/média
 - 6 cabeça da misturadora
 - 7 tampa da entrada de baixa velocidade
 - 8 alavanca da entrada de baixa velocidade

- 9 taça da cooking chef
- 10 alavanca para levantar a cabeça
- 11 controlo de velocidade
- 12 respiradores
- 13 base para a taça/área de indução
- 14 ranhura para drenagem
- 15 sensores de temperatura
- 16 varinha em K em aço inoxidável
- 17 varinha flexível para alta temperatura
- 18 batedora de varetas
- 19 batedor de gancho
- 20 varinha para mexer os alimentos
- 21 espátula para altas temperaturas
- 22 protecção contra o aquecimento
- 23 vedante em borracha
- 24 resguardo contra salpicos
- 25 tampa de alimentação
- 26 tapete de protecção da superfície de trabalho
- 27 chave de bocas



painel de controlo

- ① temporizador/ecrã de temperatura
- ② botão temporizador de diminuição de tempo
- ③ botão temporizador de aumento de tempo
- ④ controlo de temperatura
- ⑤ botão de impulso/alta velocidade, batidora de varetas para alta temperatura
- ⑥ controlo de velocidade
- ⑦ temporizador/botão selector de temperatura
- ⑧ luz indicadora de temperatura
- ⑨ botão de envolver ingredientes
- ⑩ luz indicadora de controlo de velocidade



ajustar a altura dos acessórios

Consulte por favor a pág. 98 sobre como montar a misturadora

batedora de varetas, varinha em K em aço inoxidável, varinha para mexer alimentos

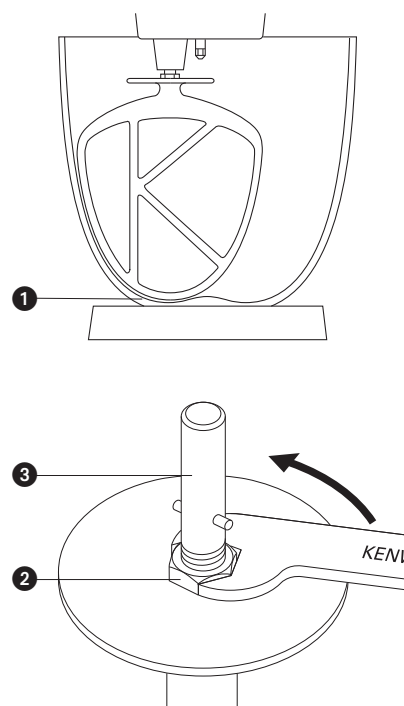
Para um melhor desempenho a bateradora de varetas, a varinha em K e a varinha de mexer devem **quase** tocar o fundo da taça **1**. Se necessário ajuste a altura do acessório utilizando a chave de bocas.

Eis como:

- 1 Desligue o aparelho da corrente.
- 2 Levante a cabeça da misturadora e insira a bateradora de varetas, a varinha ou a varinha de mexer.
- 3 Baixe a cabeça da misturadora. Se a folga precisar de ser reajustada, levante a cabeça da misturadora e remova o acessório.
- 4 Utilizando a chave de bocas fornecida, liberte um pouco a porca **2** para poder reajustar o eixo **3**. Para baixar o acessório mais para o fundo da taça, gire o eixo na direcção contrária à dos ponteiros do relógio. Para levantar o acessório de forma a que este não toque no fundo da taça, gire o eixo na direcção dos ponteiros do relógio.
- 5 Volte a apertar a porca.
- 6 Coloque o acessório na misturadora e baixe a cabeça desta. (Confirme a posição, ver ponto abaixo).
- 7 Repita, se necessário, os passos anteriores até que o acessório esteja na posição correcta. Uma vez conseguida a posição correcta do acessório, aperte a porca de forma segura.

varinha flexível para alta temperatura – este acessório deverá estar quase a tocar o fundo da taça.

batedor de gancho – este acessório é fixo de fábrica e não precisa de ajuste.



para inserir e utilizar o seu resguardo contra salpicos montagem

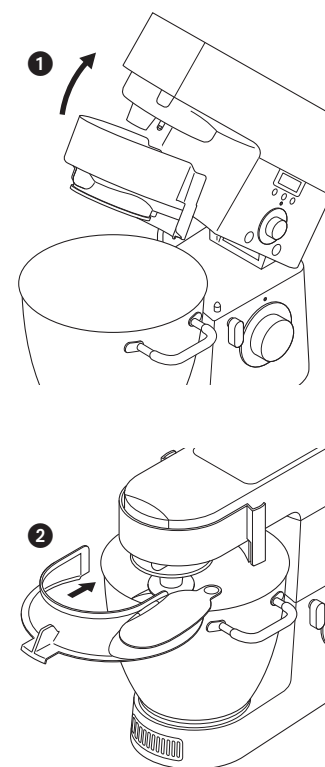
A montagem do resguardo contra salpicos é constituído por duas peças: a protecção contra o aquecimento e o resguardo contra salpicos.

A protecção contra o aquecimento deve ser colocado durante a operação de preparação da refeição, caso contrário a misturadora não funcionará e será mostrado o código de erro E:03.

A protecção contra o aquecimento serve para proteger a cabeça da misturadora contra o vapor produzido durante o processo de cozedura. Se necessário, tanto a protecção contra o aquecimento como o resguardo contra salpicos podem ser inseridos para reter os ingredientes na taça, ex. quando misturar ingredientes leves como a farinha e açúcar em pó, ou quando cozinha alimentos cuja humidade precisa de ser retida na taça. O resguardo contra salpicos não deve ser colocado na taça a não ser quando utilizado conjuntamente com a protecção contra o aquecimento.

- 1 Levante a cabeça da misturadora até prender.
 - 2 Empurre a protecção contra o aquecimento para cima na direcção da parte de baixo da cabeça da misturadora **1** até fixar completamente. Nunca deve usar a protecção contra o aquecimento sem o selo em borracha estar correctamente colocado.
 - 3 Coloque a taça na base.
 - 4 Baixe a cabeça da misturadora.
 - 5 Coloque o resguardo contra salpicos no rebordo da taça e deslize-o para a frente até fixar completamente **2**.
- Enquanto o seu aparelho mistura, podem ser adicionados ingredientes directamente à taça através da tampa de alimentação.
- 6 Para remover o resguardo deslize-o simplesmente no sentido contrário ao aparelho.
 - 7 Para remover a protecção contra o aquecimento, levante a cabeça da misturadora até prender. Remova o acessório, depois puxe a protecção contra o aquecimento para baixo na direcção contrária à parte de baixo da cabeça da misturadora.

Nota: Coloque ou remova o resguardo apenas quando a cabeça da misturadora estiver na posição presa.



a misturadora

os acessórios de bater ou misturar e algumas das suas utilizações:

- varinha em K • Para fazer bolos, biscoitos, massa, glacê, recheios, éclairs e puré de batata.
- batedora de varetas • Para ovos, natas, massa para crepes, pão-de-ló sem gordura, suspiros, cheesecakes, mousses, soufflés. Não utilize a batedora de varetas para misturas pesadas (ex. bater natas gordas e açúcar) – pode danificá-la.
- batedor de gancho • Apenas para misturas com fermento.
- varinha flexível para alta temperatura • Apropriada para muitas operações de cozedura, em particular o creme de ovos ou leite creme, ovos mexidos e molhos. Ideal para rapar misturas, quer quentes quer frias, dos lados da taça durante a mistura. É também apropriada para vegetais salteados.
- varinha de mexer • Apropriada para usar durante a cozedura para manter a consistência dos alimentos, ex. galinha, peixe, vegetais e frutos.

como usar a sua misturadora:

Antes de utilizar a sua misturadora assegure-se que os controlos de temperatura e de velocidade estão nas posições “O” de desligado.

- 1 Gire a alavanca para levantar a cabeça no sentido dos ponteiros do relógio **1** e levante a cabeça da misturadora até prender.

- 2 Meta o acessório no encaixe, colocando o eixo na ranhura e depois gire para prender na posição **2**.

varinha de mexer – para colocar a varinha de mexer, insira o eixo no encaixe, alinhando ao mesmo tempo a ranhura com o pino saliente do lado e por baixo da cabeça da misturadora. Segure a vara e gire para que o pino se posicione por baixo da ranhura, depois empurre e gire para prender na posição **3**.

- 3 Coloque a taça na base – carregue para baixo e gire na direcção dos ponteiros do relógio **4**.

- 4 Para baixar a cabeça da misturadora, levante-a ligeiramente, depois gire a alavanca de levantar a cabeça, no sentido dos ponteiros do relógio. Baixe para prender na posição

- 5 Faça no sentido contrário o passo 2 descrito acima. (Utilize sempre luvas de forno para remover os acessórios após cozedura).

- 6 Ligue a misturadora à corrente eléctrica. As luzes indicadoras de velocidade e temperatura vão acende-se brevemente. O ecrã vai mostrar **88:88** e depois limpa-se deixando a luz indicadora acesa .

- 7 Gire o controlo de velocidade para o parâmetro desejado (ver pág. 99 para recomendações), a misturadora começa a trabalhar e a luz indicadora do controlo de velocidade vai piscar. O temporizador fará a contagem com intervalos de 1 segundo. A velocidade pode ser mudada em qualquer altura enquanto a misturadora está a funcionar.

- 7 Pare a misturadora girando o controlo de velocidade para a posição “O” de desligado.

Importante – Se em qualquer altura a cabeça da misturadora for levantada enquanto trabalha, a misturadora parará automaticamente e produz um bip, e não reiniciará quando a cabeça for baixada. Para reiniciar a misturadora gire o controlo de velocidade para a posição “O” de desligado e depois re-selecione a velocidade.

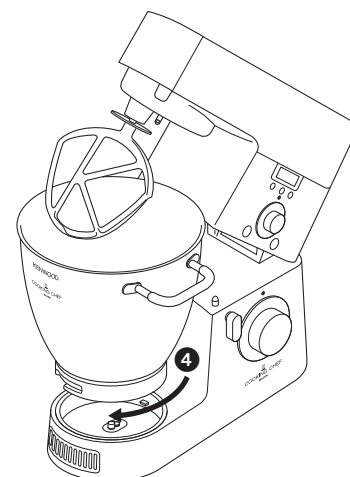
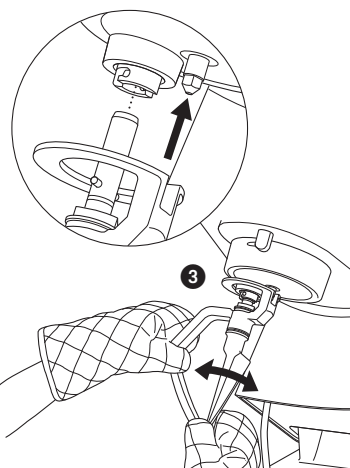
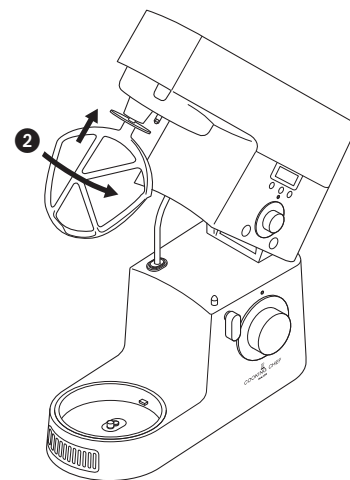
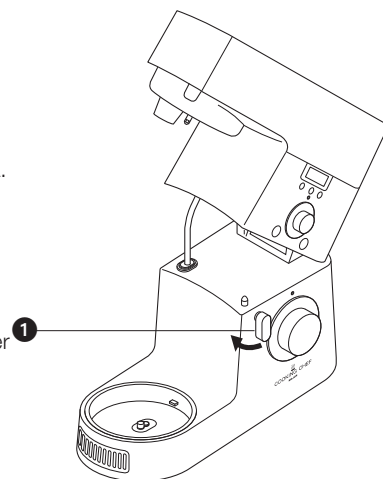
botão de impulso

O botão de impulso pode apenas ser usado quando o controlo de velocidade está na posição “O” de desligado.

Para seleccionar o impulso, carregue no botão de impulso **P** e a misturadora trabalhará à velocidade máxima enquanto o botão for mantido nesta posição. Se o conteúdo da taça estiver acima dos 60°C, a velocidade vai aumentar gradualmente. Este processo vai ser acompanhado por um bip e as luzes indicadoras de velocidade e temperatura vão piscar com rapidez.

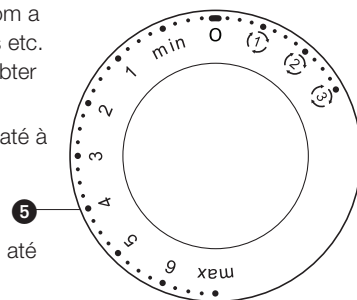
botão de envolver ingredientes

Pressione e liberte o botão de envolver os ingredientes **Q** e a misturadora vai trabalhar automaticamente na velocidade mínima durante 2 voltas e depois pára. O botão pode ser pressionado para trabalhar mais tempo ou pressionado repetidamente conforme o necessário para unir os ingredientes. Nota: Se o botão de envolver ingredientes é pressionado enquanto o motor está a funcionar, este vai realizar a função de envolvimento e depois regressa à velocidade seleccionada.



controlo de velocidade 5

As seguintes velocidades são apenas indicativas e variarão de acordo com a quantidade e a temperatura dos ingredientes que estão a ser misturados etc. Gire o controlo de velocidade no sentido dos ponteiros do relógio para obter velocidades do "Min." até ao "Max."



varinha em K • **bater gordura e açúcar** inicie em "Min.", aumentando gradualmente até à velocidade "Max."

• **bater ovos em misturas cremosas** 4 – "Max."

• **incorporar farinha, frutos, etc.** Min. - 1

• **tudo num só bolo** inicie em velocidade "Min.", aumente gradualmente até ao "Max."

• **envolver gordura em farinha** "Min." - 2.

flexível para alta temperatura • **bater gordura e açúcar** inicie em "Min.", aumentando gradualmente até 3.

varinha • **rapar misturas, quer quentes quer frias, dos lados da taça** inicie em "Min." Aumentando gradualmente até 3.

• **saltear vegetais, mexer arroz e polenta, etc.,** utilize (1).

batedora de varetas • Gradualmente aumente até ao "Max."

batedor de gancho • Comece no "Min.", aumente gradualmente até 1.

varinha de mexer • Utilize apenas com a regulação para mexer (1), (2), (3).

regulação para mexer

Para seleccionar a regulação de mexer os alimentos rode o controlo de velocidade no sentido contrário ao dos ponteiros do relógio. Estes são mais apropriados quando a misturadora é utilizada no modo de cozinhar. Note por favor, que para utilizar as velocidades de mexer, todas as tampas das entradas devem estar colocadas.

(1) - Use esta regulação quando for preciso manter uma velocidade lenta constante, ex. mexer molhos.

(2) - Quando o controlo de velocidade está regulado nesta posição, a misturadora vai funcionar intermitentemente numa velocidade lenta a cada 5 segundos durante 2 voltas.

(3) - Quando o controlo de velocidade está regulado nesta posição, a misturadora vai funcionar intermitentemente numa velocidade lenta a cada 30 segundos, sendo esta regulação conveniente para mexer estufados, etc..

Volte a pôr o controlo de velocidade na posição "O" de desligado para parar a operação.

Nota:

- Sempre que uma velocidade é seleccionada, a luz indicadora de velocidade, pisca.
- Pode ser ouvido um som agudo quando o aparelho está a funcionar. Isto é normal.

para usar a misturadora para cozinhar alimentos

IMPORTANTE

- Assegure-se que a área de indução, os sensores de temperatura e a superfície exterior da base da taça estão limpos e secos, antes de começar a cozinhar. Caso contrário, o sensor será afectado, resultando num desempenho fraco do aparelho.
- Confira que todas as tampas que cobrem as entradas, incluindo a protecção contra o aquecimento, estão bem colocada. Caso contrário, a função de aquecimento não vai funcionar.
- Utilize sempre luvas de forno para remover a taça e os acessórios após cozinhar.

1 Monte a misturadora seguindo as instruções da pág. 98.

2 Gire o controlo de temperatura para a temperatura exigida.

• **O aquecimento não começa a não ser que uma velocidade seja seleccionada.**

3 Gire o controlo de velocidade para a velocidade desejada, o que vai ligar o motor e o aquecimento. Ambos os indicadores de luz piscam.

4 Uma vez a temperatura requerida ser atingida, a luz indicadora de temperatura vai manter-se sempre acesa. Contudo, enquanto cozinha a luz começa a piscar se a temperatura muda, indicando que a misturadora está a tentar manter a temperatura estabelecida (leia por favor a introdução na pág. 93).

• Se a temperatura da taça exceder 60°C, por razões de segurança a velocidade é automaticamente limitada, mesmo se tiver sido seleccionada uma velocidade alta. A velocidade não aumentará automaticamente quando a temperatura baixa dos 60°C. O controlo de velocidade deve ser desligado primeiro e depois seleccionada novamente para a velocidade desejada.

- Nota: Cada vez que o botão de seleccionar o temporizador/temperatura for pressionado, o ecrã alternará entre o ecrã temporizador e o do temperatura do conteúdo da taça.
- 5 Para parar ou pausar a mistura ou o processo de aquecimento, gire o controlo de velocidade para a posição "0" de desligado. Para retomar a operação seleccione uma velocidade.

dicas

- **Algumas receitas, em particular aquelas que têm um alto teor de água, não conseguirão atingir uma temperatura acima dos 100°C (a temperatura do ponto de ebulição da água).**
- Quando adicionar ingredientes à taça enquanto cozinha, ponha a velocidade mais lenta e adicione os ingredientes de forma uniforme e lenta.
- Para aquecer molhos rapidamente use continuamente a regulação para mexer (1).
- Pode verificar que a mudança de acessório para os diferentes processos de preparação das suas refeições, lhe dará melhores resultados, por ex.: use a varinha flexível para alta temperatura para fritar vegetais e o acessório de mexer para cozinhar pedaços de carne ou aves.
- Se usar o resguardo contra salpicos enquanto cozinha, retire-o sempre antes de levantar a cabeça do aparelho. Cuidado com a condensação que se forma no resguardo e na protecção.
- Quando levantar a cabeça da misturadora, faça-o lentamente para permitir que o líquido que se encontra na parte de baixo da protecção escorra para a taça.
- Estão disponíveis três funções de mexer, o que lhe permite seleccionar a quantidade apropriada de vezes que quer mexer, em cada receita. Algumas receitas precisam de ser mexidas constantemente para impedir que os ingredientes se colem ao fundo da taça, enquanto que outras receitas beneficiarão mais se forem mexidas ocasionalmente para manterem a consistência dos alimentos.
- Para um desempenho óptimo, ajuste a altura do acessório, ver pág. 97.
- O tempo máximo de cozedura é de 3 horas, após o qual a misturadora se desliga automaticamente.
- É possível aquecer comida sem que nenhum acessório esteja colocado. Contudo deve ser seleccionada uma velocidade. Isto pode ser vantajoso quando derrete alimentos, como por exemplo manteiga ou chocolate.
- Cada vez que o botão de seleccionar o temporizador/temperatura for pressionado, o ecrã alternará entre o ecrã temporizador e o do temperatura atingida nesse momento.

Alta velocidade, controlo da alta temperatura da batidora de varetas

Para bater a uma velocidade e temperatura acima dos 60°C, gire o controlo de velocidade para a velocidade desejada e depois mantenha carregado o botão de impulso. Este processo vai ser acompanhado por um bip e as luzes indicadoras de velocidade e temperatura vão piscar com rapidez. A velocidade de bater vão aumentar lentamente até à velocidade seleccionada. Repita o procedimento para aumentar mais a velocidade. Pode reduzir a velocidade de bater ou desligar normalmente a misturadora.

Esta função pode APENAS ser utilizada com a batidora de varetas. Não deve exceder a capacidade máxima de 3 litros e deve assegurar-se que o resguardo está colocado. A máquina não deve ser deixada sem vigilância.

depois de cozinhar

- Tenha cuidado quando manusear ou tocar em qualquer parte do aparelho, quando este está a ser usado no modo de cozinhar ou após cozinhar, EM PARTICULAR A TAÇA, O RESGUARDO CONTRA SALPICOS E OS ACESSÓRIOS, uma vez que eles continuam QUENTES muito depois do aparelho ter sido desligado. Utilize as pegas para remover e transportar a taça. Utilize luvas para forno quando manusear a taça quente ou acessórios de mistura que estejam quentes.
- A parte de baixo da taça continua quente muito depois do aquecimento ter sido parado. Tenha cuidado quando manusear e utilizar o tapete de protecção da superfície de trabalho quando colocar a taça em superfícies sensíveis ao calor.

ecrã

Para sua segurança a misturadora foi fabricada com 5 sensores independentes de segurança, que funcionam quando a utiliza em modo de cozinhar. Se a misturadora é ligada e o sensor de segurança activado, o ecrã temporizador/temperatura mostrará uma mensagem de erro, ex. 'E:01'. Isto será acompanhado por um bip e a misturadora não funcionará. Confirme as seguintes mensagens de erro: -

Mensagem de Erro	Descrição:	Solução:
E:01	A cabeça da máquina está levantada. Quando a cabeça está levantada, o sensor de segurança desliga o motor e o aquecimento. Se o controlo de velocidade está configurado em qualquer velocidade que não seja a posição 'O' de desligado quando a cabeça está levantada, esta mensagem é mostrada e o motor não liga.	Baixe a cabeça da misturadora. Ponha o controlo de velocidade na posição "O" de desligado e depois seleccione a velocidade desejada.
E:02	A taça da Cooking Chef não está colocada na base. A função de aquecimento só funciona se a taça de cozinhar estiver a ser usada. Esta taça deve também estar bem colocada. Os sensores de segurança detectarão uma taça errada ou mal colocada.	Assegure-se que é a taça da Cooking Chef que está colocada na base. Verifique que a taça está correctamente colocada. Ponha o controlo de velocidade na posição "O" e depois seleccione a velocidade desejada.
E:03	A protecção contra o aquecimento não está colocada. A função de aquecimento será desligada se a protecção contra o aquecimento não estiver correctamente colocada.	Verifique que a protecção do aquecimento está correctamente colocada. Ponha o controlo de velocidade na posição "O" e depois seleccione a velocidade desejada.
E:04	A entrada de baixa velocidade e a tampa da entrada de alta/média velocidades, não está colocada. Estas tampas têm sensores de segurança. Se as tampas não estão bem colocadas, a função de aquecimento não vai funcionar e se as funções de mexer forem seleccionadas o motor vai trabalhar continuamente. As velocidades de misturar "Min." até ao "Max." trabalharão continuamente.	Verifique que todas as tampas estão correctamente colocadas. Ponha o controlo de velocidade na posição "O" e depois seleccione a velocidade desejada.
E:09	Problema com o sensor de temperatura Se o controlo de aquecimento detecta que a temperatura da taça é superior à desejada durante uma utilização normal, o motor e o aquecimento desligam-se automaticamente.	Ponha o controlo de velocidade na posição "O", desligue a máquina da corrente eléctrica e deixe arrefecer. Verifique que os sensores da base da taça e da temperatura estão limpos. Ligue novamente à corrente eléctrica e ligue normalmente.
E:10	Problema com a velocidade do motor ou sobreaquecimento. Se o motor perde velocidade ou aquece, o sistema de controlo desliga automaticamente o motor e o aquecimento.	Ponha o controlo de velocidade na posição "O" e desligue a máquina da corrente eléctrica. Remova qualquer obstrução que leva o motor a perder velocidade. Assegure-se que todos os respiradores estão desobstruídos. Ligue à corrente eléctrica e ligue.

Se estes ou qualquer outro código de erro continua a aparecer no ecrã, contacte o Serviço Cuidados ao Cliente da Kenwood.

para usar o temporizador em contagem regressiva

O temporizador pode ser usado tanto no modo de cozinhar como no modo de não cozinhar. Se não for seleccionada uma contagem regressiva, o temporizador vai contar automaticamente para a frente em intervalos de 1 segundo enquanto a misturadora estiver a funcionar. O tempo máximo de funcionamento é de 3 horas.

- 1 Ligue a misturadora à corrente eléctrica. O ecrã vai mostrar brevemente **88:88**, e depois limpa-se deixando a luz indicadora acesa .
- 2 Pressione o botão "+" ou "-" e aparecerá no ecrã "0:00".
- 3 Pressione o botão "+" ou "-" até o tempo desejado aparecer no ecrã. O temporizador fará a contagem com intervalos de 5 segundo. Se o botão for pressionado continuamente, os números mudam tanto mais rapidamente quanto mais tempo estiver a pressionar. Pode ser programado um máximo de 3 horas.
Nota: Se o botão "+" é pressionado, quando o temporizador já está em "3:00", o tempo mostrado no ecrã muda para "0:00". Se o botão "-" é pressionado, quando o temporizador já está em "0:00", o tempo mostrado no ecrã muda para "3:00".
- 4 Gire o controlo de velocidade para a velocidade desejada, a misturadora vai iniciar e o temporizador conta para trás em intervalos de 1 segundo.
- Pode pausar a misturadora em qualquer altura, girando o controlo de velocidade para a posição "O" de desligado. Isto também vai pausar o temporizador. O temporizador continua a contagem decrescente quando a misturadora é reiniciada.
- 5 O processo de mistura pára automaticamente quando decorreu o tempo total e a máquina emite bips durante 3 segundos. O ecrã vai piscar durante 5 segundos e depois limpa-se mostrando o indicador .

para reiniciar o temporizador

- 1 Ponha o temporizador a zeros, pressionando ao mesmo tempo os botões “+” e “-” (o controlo de velocidade deve estar na posição “O” de desligado).
- Se a máquina estiver inactiva durante 10 minutos, o ecrã LCD e a luz de fundo entram em ‘modo de hibernação’ e todas as mensagens do ecrã se desligam. Se qualquer botão ou botão de comando for activado, o ecrã retoma o seu precedente formato.

capacidades máximas:

massa quebrada	• Farinha: 910g
massa levedada dura	• Farinha: 1,5kg
	• Peso total: 2,4kg
massa levedada macia	• Farinha: 2,6kg
	• Peso total: 5kg
mistura para bolo de frutas	• Peso total: 4,55kg
claras de ovos	• 16
modo de cozedura	• 3 litros

- dicas gerais:
- Pare de mexer e rape frequentemente a taça para dentro desta com a espátula.
 - Os ovos mexem-se melhor se estiverem à temperatura ambiente.
 - Antes de bater as claras de ovo, certifique-se que não existe gordura ou gema de ovo na batedora de varetas ou na taça.
 - Use ingredientes frios para a massa a não ser que a receita diga o contrário.

indicações para fazer pão

- importante
- Nunca exceda as capacidades máximas mencionadas – vai sobrecarregar a máquina.
 - Se sentir que a batedeira está a funcionar com dificuldade, desligue e remova metade do preparado e bata cada metade em separado.
 - Os ingredientes misturam-se melhor se colocar em primeiro lugar o líquido.

guia para detectar problemas quando cozinha

Problema:	Causa:	Solução:
A misturadora não funciona no modo de aquecimento, o ecrã mostra uma mensagem de erro e produz um bip de aviso. presa.	Um dos sensores de segurança foi activado.	Ver o quadro referente a mensagens de erro na pág. 101. <ul style="list-style-type: none"> • Certifique-se que a cabeça está baixada e • Verifique que todas as tampas das entradas estão correctamente colocadas. • Verifique que a protecção do aquecimento está correctamente colocada. • Verifique que a taça da Chef está correctamente colocada.
A temperatura foi seleccionada mas os conteúdos da taça não aquecem (a luz do indicador de temperatura não está acesa)	Não foi seleccionada uma velocidade.	Selecione uma velocidade.
A misturadora muda de velocidade enquanto cozinha.	A velocidade é automaticamente limitada quando o conteúdo da taça atinge os 60°C.	Isto é uma característica de segurança.
Os alimentos estão a queimar-se no fundo da taça.	<ol style="list-style-type: none"> 1 A regulação de temperatura seleccionada pode ser muito alta. 2 Está a ser usado o acessório errado. 3 A função de mexer é muito lenta. 4 O acessório pode não estar suficientemente baixo na taça. 5 O temporizador foi regulado para demasiado tempo. 6 O sensor e/ou a parte de baixo da taça podem não estar limpos. 	<ol style="list-style-type: none"> 1 Reduza a temperatura no mostrador ou cozinhe a uma temperatura mais baixa. 2 Confirme que está a usar o acessório mais apropriado. 3 Aumente a frequência da função de mexer ou mude para operar continuamente. 4 Ajuste o acessório. 5 Cozinhe num espaço de tempo mais curto (certifique-se que os alimentos estão bem cozinhados). 6 Verifique que estas áreas estão limpas e secas.
A consistência dos alimentos não é mantida.	<ol style="list-style-type: none"> 1 A temperatura seleccionada é muito alta. 2 A função de mexer é muito rápida. 3 Os ingredientes foram cozinhados demasiado tempo. 4 Está a ser usado o acessório errado. 	<ol style="list-style-type: none"> 1 Reduza a temperatura. 2 Reduza a velocidade do mexer. 3 Reduza o tempo de cozedura (certifique-se que os alimentos estão bem cozinhados). 4 Confirme que está a usar o acessório mais apropriado.
A velocidade de mistura não é consistente.	<ol style="list-style-type: none"> 1 Ingredientes demasiado grandes, duros ou sólidos. 	<ol style="list-style-type: none"> 1 Corte os alimentos em pedaços pequenos, retire os caroços da fruta, derreta devagar os ingredientes sem que nenhum acessório esteja colocado (mas confirme que seleccionou uma velocidade). 2 Adicione ingredientes depois de ter baixado a cabeça da máquina. 3 Confirme que está a usar o acessório mais apropriado.
Foram adicionados ingredientes frios à mistura quente mas o ecrã de temperatura não responde depressa.	Se o conteúdo da taça não for mexido meticulosamente, então existirão temperaturas diferentes nos vários alimentos que estão na taça.	<ol style="list-style-type: none"> 1 Dê tempo para que os ingredientes sejam cuidadosamente misturados. 2 Aumente a velocidade do mexer.
Dificuldade em fechar a cabeça quando há alimentos na taça.	Os ingredientes sólidos como o chocolate no fundo da taça impedem que a cabeça da misturadora se prenda em baixo.	Adicione ingredientes depois de ter baixado a cabeça da máquina.
A misturadora trabalha continuamente quando o modo de mexer (☺) ou (☻) estão seleccionados.	As tampa das entradas não estão bem colocadas.	Verifique que todas as tampas das entradas estão correctamente colocadas.
A velocidade do motor é limitada quando se usam acessórios.	Colocada a taça quente.	Remova a taça ou arrefeça-a abaixo dos 60°C

acessórios opcionais disponíveis

Para comprar um acessório não incluído na sua embalagem, ver “serviço e cuidados ao cliente”.

acessório código do acessório

aparelho para estender massa

- ① **AT970A** acessórios adicionais para fazer diferentes massas (não mostrado) usado em conjunto com outro acessório com AT970A
- AT971A** tagliatelle
- AT972A** tagliolini (espécie de esparguete)
- AT973A** trenette (espécie de esparguete achatado)
- AT974A** esparguete

- ② **AT910** vem com disco para maçarão raiado (12 discos opcionais mais possibilidade de instalar o disco de fazer biscoitos)

picador rotativo de alimentos

- ③ **AT643** vem com 5 cilindros

- ④ **AT644**

espremedor de frutos triturador de multi-alimentos

- ⑤ **AT950A** é fornecido com um disco fino, um médio e um grosso, um bocal pequeno e um grande para fazer enchidos e um aparelho para fazer kebbe

- ⑥ **AT955** é fornecido com um disco fino, um médio e um grosso, um bocal pequeno e um grande para fazer enchidos e um aparelho para fazer kebbe

moinho de grãos

acessório para

robot de cozinha

- ⑧ **AT647** inclui 6 discos de corte e uma unidade de lâmina

- ⑨ **AT340** inclui 7 discos de corte

fatiador/ralador profissional

espremedor de citrinos

- ⑩ **AT312**

- ⑪ 1,5L acrílico **AT337**, 1,6 L em vidro resistente a altas temperaturas **AT358**, 1,5L aço inoxidável **AT339**

- ⑫ **AT320A** vem com 4 jarros em vidro e 4 tampas para armazenamento.

espremedor contínuo

- ⑬ **AT641**

acessório de fazer gelados

- ⑭ **AT957A**

descascador de batatas

- ⑮ **AT445**

escorredor e peneira

- ⑯ **AT930A**

escala de medidas

- ⑰ **AT850B**

taça em aço inoxidável

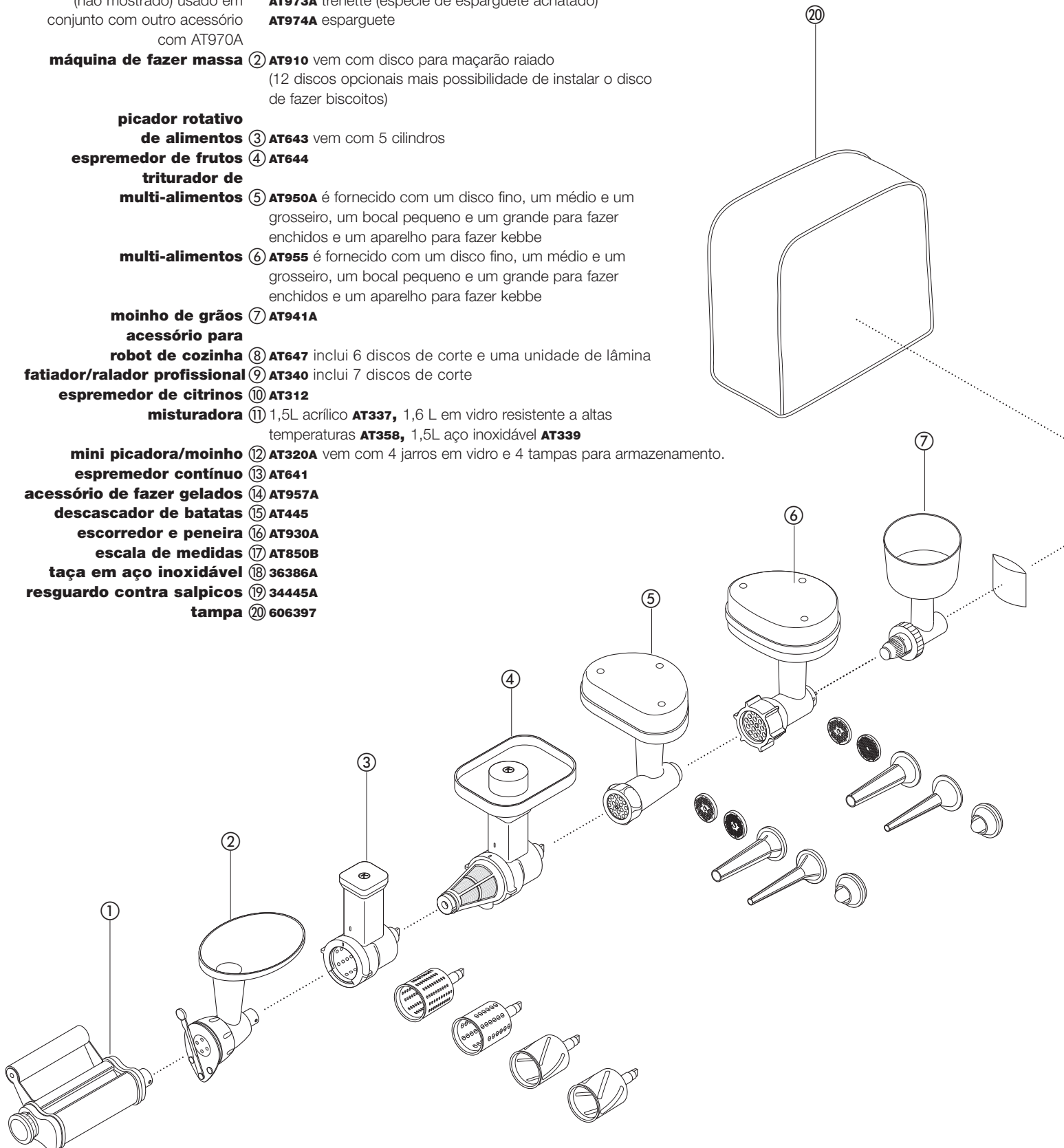
- ⑱ **36386A**

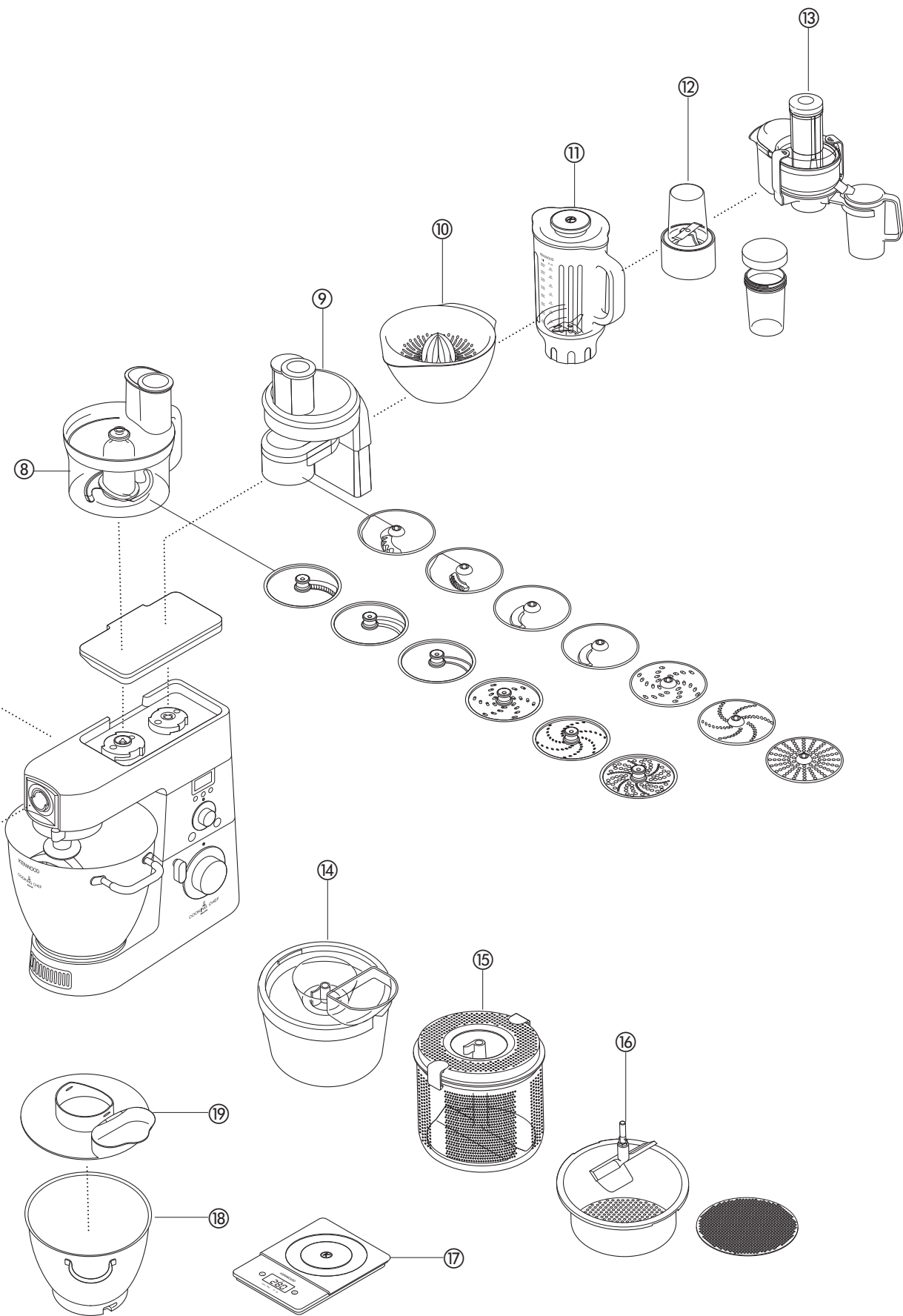
resguardo contra salpicos

- ⑲ **34445A**

tampa

- ⑳ **606397**





limpeza e assistência técnica.

cuidados e limpeza:

- Desligue sempre e retire o cabo eléctrico da tomada antes de limpar.
- Pode aparecer alguma gordura na **entrada 2** quando a usar pela primeira vez. Isto é normal – limpe-a simplesmente.
- As superfícies de metal dos sensores de temperatura podem mostrar sinais de desgaste durante a sua utilização normal. Isto não afecta o desempenho do produto.
- Não deixe a varinha flexível para alta temperatura colocada na misturadora quando esta não estiver em utilização.

aparelho e tampas das entradas

varinha flexível para alta temperatura

- Limpe com um pano húmido e seque em seguida.
- Nunca submerja em água ou use abrasivos.
- Remova sempre a lâmina da vareta flexível da ferramenta antes de limpar.
- Lave a lâmina da vareta flexível e a ferramenta em água quente com sabão e seque. Em alternativa, estes acessórios podem ser lavados na máquina de lavar louça.

Nota: Inspeccione regularmente o estado de conservação do acessório antes e depois de utilizar e inspeccione regularmente o estado de conservação da lâmina da vareta e substitua-a se existirem quaisquer sinais de uso.

taça, acessórios, resguardo contra salpicos

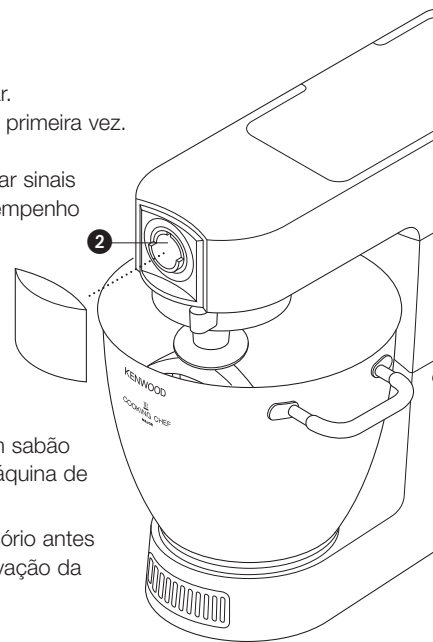
- Lavam-se à mão ou na máquina da loiça, secando-se em seguida cuidadosamente.
- Nunca use uma escova metálica, esfregão de aço ou lixívia para limpar a sua taça de aço inoxidável. Utilize vinagre ou um destarizante apropriado para remover calcário.
- Se os alimentos se queimaram ou pegaram ao fundo da taça, remova o máximo possível utilizando a espátula. Encha a taça com água morna e detergente e deixe repousar. Remova qualquer depósito que não sai facilmente, com uma escova de nylon.
- Qualquer descoloração da taça não afectará o seu desempenho.

ranhura para drenagem

- Assegure-se que esta área não tem comida. Se necessário use uma escova de limpar garrafas ou um cotonete para limpar.

sensores de temperatura

- Limpe com um pano húmido e seque em seguida. Nunca utilize abrasivos ou instrumentos afiados para limpar os sensores.



assistência e cuidados do cliente

- Caso o fio se encontre danificado, deverá, por motivos de segurança, ser substituído pela Kenwood ou por um reparador Kenwood autorizado.

Caso necessite de assistência para:

- utilizar o seu electrodoméstico ou
 - assistência ou reparações
- Contacte o estabelecimento onde adquiriu o electrodoméstico.

- Concebido e projectado no Reino Unido pela Kenwood.
- Fabricado na China.



ADVERTÊNCIAS PARA A ELIMINAÇÃO CORRECTA DO PRODUTO NOS TERMOS DA DIRECTIVA EUROPEIA 2002/96/EC.

No final da sua vida útil, o produto não deve ser eliminado conjuntamente com os resíduos urbanos. Pode ser depositado nos centros especializados de recolha diferenciada das autoridades locais, ou junto dos revendedores que prestem esse serviço. Eliminar separadamente um electrodoméstico permite evitar as possíveis consequências negativas para o ambiente e para a saúde pública resultantes da sua eliminação inadequada, além de permitir reciclar os materiais componentes, para, assim se obter uma importante economia de energia e de recursos.

Para assinalar a obrigação de eliminar os electrodomésticos separadamente, o produto apresenta a marca de um contentor de lixo com uma cruz por cima.

receitas

Ver indicações importantes para fazer pão, na pág. 102.

- pão branco de massa levedada dura**
- ingredientes:
- 1,36kg de farinha clara sem levedura
 - 15ml (3c.c.) de sal
 - 25g de fermento de padeiro; ou 15g/20ml de fermento de padeiro seco + 5ml (1c.c.) de açúcar
 - 750ml de água morna: 43°C Use um termómetro ou adicione 250ml de água a ferver a 500ml de água fria
 - 25g de banha
- preparação:
- 1 **fermento de padeiro seco** (o tipo que precisa de ser preparado): verse a água morna na taça. Adicione o fermento e o açúcar e deixe repousar cerca de 10 minutos até espumar.
fermento de padeiro fresco: esfarele-o para a farinha.
outros tipos de fermento de padeiro: siga as instruções do fabricante.
 - 2 Verse o líquido na taça. Adicione depois a farinha (com o fermento fresco se utilizado), o sal e a banha.
 - 3 Amasse na velocidade mínima durante 45 a 60 segundos. Depois aumente para a velocidade 1, adicionando mais farinha se necessário, até formar uma massa de pão.
 - 4 Amasse durante mais 3 a 4 minutos à velocidade 1 até que massa esteja macia, elástica e deixe limpos os lados da taça.
 - 5 Ponha a massa num saco plástico untado com gordura ou numa taça coberta com um pano de cozinha. Deixe levedar num local morno até duplicar de tamanho.
 - 6 Volte a amassar na velocidade 1 mais dois minutos.
 - 7 Encha com a massa até ao meio 4 formas de 450g untadas com gordura, ou forme em pãezinhos.
Cubra novamente com o pano de cozinha e deixe levedar num local morno até duplicar de tamanho.
 - 8 Coza a 230°C (em forno a gás no termóstato 8), durante 30 a 35 minutos *para o pão na forma* ou 10 a 15 minutos para os pãezinhos.
- Quando está pronto, o pão deve ter o som de oco quando se bate na base deste.

- pão branco de massa levedada macia**
- 2,6kg de farinha normal sem levedura
 - 1,3 litro de leite
 - 300g de açúcar
 - 450g de margarina
 - 100g de fermento de padeiro fresco ou 50g de fermento de padeiro seco
 - 6 ovos batidos
 - 5 pitadas de sal
- preparação:
- 1 Derreta a margarina no leite e aqueça até aos 43°C.
 - 2 **fermento de padeiro seco** (o tipo que precisa de ser preparado): adicione o fermento e açúcar ao leite e deixe repousar cerca de 10 minutos até espumar.
fermento de padeiro fresco: esfarele-o para a farinha e junte o açúcar.
outros tipos de fermento de padeiro: siga as instruções do fabricante.
 - 3 Verse o leite na taça. Adicione os ovos batidos e 2kg de farinha.
 - 4 Misture na velocidade mínima durante 1 minuto e depois mais 1 minuto na velocidade 1. Rape a taça para baixo com a espátula.
 - 5 Adicione o resto da farinha e misture na velocidade mínima durante 1 minuto e depois mais 2 a 3 minutos na velocidade 1 até ficar macia e mais misturada.
 - 6 Encha com a massa até ao meio, 4 formas de 450g untadas com gordura, ou forme em pãezinhos.
Cubra novamente com o pano de cozinha e deixe levedar num local morno até duplicar de tamanho.
 - 7 Coza a 200°C (em forno a gás no termóstato 6), durante 20 a 25 minutos *para o pão na forma* ou 15 minutos para os pãezinhos.
 - 8 Quando está pronto, o pão deve ter o som de oco quando se bate na base deste.
- Faz cerca de 10 formas.

receitas (continuação)

bolo de morangos e alperces

ingredientes: pão-de-ló

- 3 ovos
- 75g de açúcar em pó
- 75g de farinha sem levedura para o bolo e decoração
- 150ml de natas espessas (com alto teor de gordura)
- Açúcar a gosto
- 225g de morangos
- 225g de alperces

- preparação:
- 1 Corte os alperces a meio e retire os caroços. Coza em pouca água até ficarem moles, adicionando açúcar a gosto.
 - 2 Lave e corte os morangos a meio.
 - 3 Para fazer o pão-de-ló, bata os ovos e o açúcar à velocidade máxima até a mistura fixar muito clara e pegajosa.
 - 4 Remova a taça e a batidora de varetas. Envolve a farinha usando uma colher grande de metal – tenha cuidado em manter a massa ligeira.
 - 5 Coloque a mistura em duas formas rectangulares de 18cm, untadas.
 - 6 Coza a 180°C (em forno a gás no termóstato 4), durante 20 minutos até que o bolo volte para baixo lhe tocar ligeiramente.
 - 7 Desforme-o numa base de rede com pés.
 - 8 Bata as natas à velocidade máxima até engrossar. Junte açúcar a gosto.
 - 9 Corte rudemente os alperces e um terço dos morangos. Envolve-os em metade das natas.
 - 10 Espalhe este preparado por cima do pão-de-ló, e depois ponha o outro pão-de-ló por cima.
 - 11 Espalhe restantes as natas por cima e decore com os morangos restantes.

suspiros:

ingredientes:

- 4 claras de ovos
- 250g de açúcar em pó peneirado
- Forre o seu tabuleiro de cozer com papel de cozinha anti-aderente.

- preparação:
- 1 Bata as claras com o açúcar à velocidade máxima cerca de 10 minutos até ficarem em castelo.
 - 2 Deite colheradas do preparado num tabuleiro de ir ao forno (ou use um saco de pasteleiro com 2,5cm com bico em forma de estrela).
 - 3 Coza a 110°C (em forno a gás a 1/4 no termóstato), durante 4 a 5 horas até ficarem formos e crocantes. Se os suspiros começarem a ganhar cor, deixe a porta do forno ligeiramente entreaberta.

- Guarde os suspiros numa embalagem hermética.

massa quebrada

ingredientes:

- 450g de farinha peneirada com o sal
- 5ml (1c.c.) de sal
- 225g de gordura (mistura de banha com margarina directamente do frigorífico)
- Cerca de 80ml (4 c.s.) de água

dicas

- preparação:
- 1 Coloque a farinha na taça. 1 Corte a gordura em pedaços e junte à farinha.
 - 2 Usando a varinha em K de aço inoxidável, misture à velocidade 1 até parecer migalhas de pão.
Pare antes de parecer gorduroso.
 - 3 Adicione a água e misture à velocidade mínima. Pare logo que a água esteja incorporada.
 - 4 Coza a cerca de 200°C, em forno a gás o termóstato no 6 dependendo do enchimento da forma.

marinada picante

ingredientes

- 200g mel líquido claro (no frigorífico do dia anterior)
- 1 piri-piri verde (inteiro)
- 5ml (1 c.c.) de manteiga de amendoim crocante
- tempero (especiarias, sal, etc.)

- preparação:
- 1 Coloque todos os ingredientes na mini picadora/moinho.
 - 2 Coloque o acessório na misturadora e permita que os ingredientes se concentrem em volta da lâmina.
 - 3 Ligue em impulso durante 10 segundos.
 - 4 Utilize a gosto.

KENWOOD

Garantia nº

Condições de Garantia Pequenos Electrodomésticos em Portugal

1. Todas as verificações necessárias foram feitas em cada fase de fabrico para assegurar um elevado nível de qualidade.
O aparelho é garantido contra todos os defeitos mecânicos ou eléctricos de fabrico ou má qualidade do material, durante o período de dois anos, a contar da data de compra.
2. Verificar a tensão de alimentação indicada no aparelho antes de ligar à rede.
3. Se o Aparelho não funcionar correctamente será reparado ou substituído, sem mais custos para o comprador, durante o período de Garantia, excepto se não forem seguidas as indicações do modo de emprego, negligência ou má utilização. Qualquer alteração introduzida no aparelho por terceiros também não está abrangida por esta Garantia.
4. Esta Garantia só pode ser utilizada nos Agentes de Serviço Autorizados Kenwood depois de devidamente preenchida, rubricada e acompanhada do respectivo documento de compra.

**ARIES LUSITANIA
RUA DA BOTICA 252, 1º sala 1,2,3
MORIERE DA MAIA
4470-575 MAIA, PORTUGAL**

**TEL: 029 407454
FAX: 029 419050**

Revendedor

Aparelho

Carimbo & Rubrica

Modelo:

Nº de Série:

Data compra:/...../.....

Cliente

Nome

Morada

Cod.Postal: Tel

Español

antes de utilizar su aparato Kenwood

- **Lea estas instrucciones atentamente y guárdelas para poder utilizarlas en el futuro.**
- Quite todo el embalaje y las etiquetas.

conozca su Robot de Cocina Cooking Chef Kenwood

seguridad

nota importante - implantes médicos electrónicos

- Al igual que todos los productos de calentamiento por inducción, este aparato genera campos magnéticos de corto alcance. Si cualquier usuario o persona cerca del aparato lleva un marcapasos u otros implantes activos, debe consultar con un médico antes de su uso, por si existe alguna incompatibilidad, a fin de evitar cualquier riesgo para la salud.
- Desconecte y desenchufe el aparato antes de acoplar o quitar utensilios/accesorios, después de su uso y antes de limpiarlo.
- Mantenga las joyas, partes del cuerpo y ropa amplia lejos de las partes móviles y de los accesorios acoplados.
- No ponga nunca los dedos, etc, en el mecanismo de bisagra.
- Nunca deje el aparato desatendido cuando lo esté utilizando.
- Nunca utilice un aparato dañado. Para solicitar que la revisen o la reparen: consulte "servicio técnico y atención al cliente", página 124.
- Nunca utilice un accesorio no autorizado o más de un accesorio a la vez.
- Nunca sobrepase las capacidades máximas indicadas en la página 120 y, al utilizar el calentador de inducción, no sobrepase nunca el nivel de llenado máximo de 3 litros marcado en el interior del bol.
- Al usar un accesorio, lea las instrucciones de uso y de seguridad que se adjuntan.
- Tenga cuidado al levantar este aparato ya que pesa mucho. Asegúrese de que el cabezal esté bloqueado y de que el bol, los utensilios, las tapas de los accesos de salida y el cable estén fijos antes de levantarlo.
- Nunca deje que el cable de alimentación eléctrica cuelgue de un lugar donde un niño pueda cogerlo.
- No permita que se mojen la unidad de potencia, el cable o el enchufe.
- Tenga cuidado al manejar o tocar cualquier parte del aparato cuando se esté utilizando en el modo de cocción o después de cocinar, EN ESPECIAL EL BOL, EL ANTISALPICADURAS Y LOS UTENSILIOS ya que permanecen CALIENTES durante mucho tiempo después de que el aparato se haya desconectado. Use las asas para quitar y llevar el bol. Use guantes para horno al manejar el bol caliente y los utensilios de mezclado calientes.
- La parte inferior del bol permanecerá caliente durante mucho tiempo después de que el proceso de calentamiento se haya detenido. Sea prudente y utilice el posafuentes protector de la superficie de trabajo cuando coloque el bol en superficies sensibles al calor.
- Tenga cuidado con el vapor que sale del bol para mezclas, especialmente al abrir la tapa en el antisalpicaduras o al levantar el cabezal de la mezcladora.
- Al transferir comida caliente de la mezcladora a la licuadora, deje siempre que los ingredientes se enfríen hasta que alcancen la temperatura ambiente antes de ponerlos en la licuadora.
- Utilice sólo el bol y los utensilios que se facilitan con este aparato. Nunca utilice el bol con ninguna otra fuente de calor.
- Nunca ponga el aparato en marcha en el modo de cocción con el bol vacío.
- Nunca inserte nada a través de las salidas de aire.
- Al utilizar este aparato, asegúrese de que esté colocado sobre una superficie plana alejado de cualquier borde. Asegúrese de que esté al menos a 10 cm de las paredes y compruebe que las aberturas no estén obstruidas. No lo ponga debajo de armarios colgantes.
- Para el funcionamiento correcto y seguro de la cocina de inducción, compruebe que la base del bol y los sensores de temperatura estén limpios y secos antes de cocinar.
- Al igual que con todos los aparatos de cocción por inducción, no coloque tarjetas de crédito, soportes magnéticos ni equipo electrónico sensible cerca del aparato cuando esté en marcha.
- No utilice el aparato para alimentos que se deban freír en abundante aceite.
- Compruebe siempre que los alimentos estén bien cocidos antes de comer.
- Los alimentos se deben comer poco después de haberlos cocinado o dejar que se enfríen rápidamente y luego refrigerarlos lo antes posible.
- Este aparato no está pensado para ser utilizado por personas (incluyendo niños) con capacidades físicas, sensoriales o mentales disminuidas, o con falta de experiencia o conocimientos, a menos que hayan recibido instrucciones o supervisión en relación con el uso del aparato por parte de una persona responsable de su seguridad.
- Los niños deben ser vigilados para asegurarse de que no juegan con el aparato.
- Utilice este aparato únicamente para el uso doméstico al que está destinado. Kenwood no se hará cargo de responsabilidad alguna si el aparato se somete a un uso inadecuado o si no se siguen estas instrucciones.

antes de enchufar el aparato

- Asegúrese de que la corriente eléctrica sea la misma que la que figura en la parte inferior del aparato.
- Este dispositivo cumple con la Directiva 2004/108/CE sobre Compatibilidad Electromagnética, y con el reglamento (CE) n° 1935/2004, de 27 de octubre de 2004, sobre los materiales y objetos destinados a entrar en contacto con alimentos.

antes de utilizar el aparato por primera vez

- Para lavar las piezas: consulte "cuidado y limpieza", página 124.

introducción

Gracias por comprar este Robot de Cocina Cooking Chef Kenwood, esperamos que lo disfrute durante muchos años.

Kenwood tiene casi 60 años de experiencia y conocimientos en el desarrollo de aparatos de cocina y su amplia variedad de accesorios. Los Robots de Cocina Chef de Kenwood tienen fama de ser algo más que una simple mezcladora de alimentos.

En el desarrollo del Cooking Chef hemos llevado la famosa versatilidad del Chef un paso más allá introduciendo la cocción por inducción integrada directamente bajo el bol para mezclas. Ahora puede disfrutar de todas las ventajas del mezclado planetario "bol frío" diario al preparar sus galletas, pastelitos y masa favoritos, más la ventaja añadida de calentar y cocinar directamente en el bol combinado con el mezclado planetario. Las oportunidades son infinitas.

El Cooking Chef Kenwood, con su gama de accesorios opcionales, es verdaderamente el sistema completo de preparación de comida.

Fuerte, fiable, versátil, Kenwood.

¿Qué es la cocción por inducción y cómo funciona?

La cocción por inducción es un método de cocina avanzado que emplea los principios de la inducción electromagnética. Cuando una corriente eléctrica pasa a través de una bobina de cobre en la zona de cocción por inducción, crea un campo electromagnético. Cuando el bol del Cooking Chef está bien sujeto en su posición, el circuito es completado por una capa de acero inoxidable en la base del bol. A su vez, esto crea una gran cantidad de energía térmica que pasa a través del contenido del bol y, de este modo, se calienta la comida.

La cocción por inducción ahorra mucha energía ya que sólo produce calor en la base del bol. Otros métodos de calentamiento, como los hornillos de gas, gastan casi un 50% del calor en los lados de la cacerola. De hecho, la zona de cocción por inducción en su Cooking Chef sólo está caliente durante e inmediatamente después de la cocción debido al calor transferido desde el contenido del bol. Todo esto significa que la cocción por inducción es muy eficaz, muy segura y muy limpia.

La funcionalidad de la cocción de su Cooking Chef Kenwood es similar a usar una cacerola en su cocina eléctrica. La ventaja añadida es que el Chef removerá su comida y regulará la temperatura de cocción automáticamente según sus necesidades precisas, dejándole libertad para realizar otras tareas tranquilamente en la cocina.

El Cookig Chef utiliza la tecnología de calentamiento por inducción que es muy eficaz. Al compararlo con la cocción en una cocina de gas o eléctrica, puede encontrar que los tiempos de cocción se reducen o que necesita cocinar a una temperatura más baja. Esto debe tenerse en cuenta al usar su aparato por primera vez o al experimentar con una receta nueva. Si empieza a cocinar a una temperatura alta, esté atento y reduzca el calor cuando sea necesario para evitar que la comida se queme o se pegue al bol, igual que haría con su cacerola. Generalmente, el Cooking Chef calentará la comida automáticamente a la temperatura que usted desee en el período de tiempo más rápido posible. Por lo tanto, no es necesario ajustar a una temperatura más alta de lo que usted necesita para reducir los tiempos de cocción. En esta fase, también debe prestar atención a la frecuencia de los ajustes de la función remover. Al cocinar a temperaturas más elevadas, tal vez sea necesario remover constantemente usando la función remover (1). Los ajustes de la función remover (2) y (3) son útiles para mantener la consistencia de su comida durante períodos de cocción más largos al cocer a fuego lento.

La selección del utensilio correcto del bol también es importante en esta fase. Más adelante en este libro, hemos sugerido los usos más apropiados para cada utensilio y, con la experiencia, entenderá rápidamente lo que es mejor para cada tarea. Al cocinar, encontrará que el batidor flexible para temperaturas elevadas es mejor para obtener una consistencia muy suave para salsas y cremas, mientras que el utensilio para remover es mejor cuando los alimentos que se están cocinando necesitan mantener una consistencia más sólida, como los estofados, guisos, ragús, etc. Nuestro libro de recetas recomienda los mejores utensilios para cada receta, y también puede encontrar que cambiar el utensilio para los diferentes procesos durante la preparación de sus comidas ofrece mejores resultados.

Durante la cocción e inmediatamente después, el bol, el antisalpicaduras y el utensilio del bol estarán calientes, al igual que lo estaría su cacerola. Tenga cuidado al tocar alguno de estos elementos. También es importante recordar que el proceso de cocción generará vapor y vaho, así que tenga cuidado al mirar dentro del bol, al levantar la tapa del tubo de alimentación o el cabezal de la máquina/Cooking Chef para ver o acceder al bol. También debe avisar a los demás cuando la máquina esté cocinando o caliente para que ellos también tengan cuidado. Al tocar o quitar partes calientes, es aconsejable usar guantes para horno y llevar el bol utilizando sólo las asas que se facilitan. El posafuentes protector de la superficie de trabajo también puede ser útil para proteger las superficies sensibles al calor.

Al calentar líquidos o alimentos con un alto contenido de agua, la precisión de la lectura de la temperatura es normalmente de +/- 5°C. La precisión del control y la pantalla de temperatura variará dependiendo de la consistencia del contenido del bol, del volumen del contenido del bol, de la frecuencia con la que se remuevan los alimentos y del utensilio del bol que se utilice. De nuevo, es similar a cocinar en una cocina de gas, por ejemplo, donde una gran cantidad de comida en una cacerola grande se calienta pero no se remueve bien. La comida estará caliente en la base de la cacerola, o incluso se quemará, mientras que la comida cerca de la parte superior estará mucho más fría.

Además de la pantalla de temperatura, la máquina tiene un pequeño LED azul. Este LED parpadeará hasta que la máquina haya alcanzado la temperatura seleccionada. Una vez que se haya alcanzado la temperatura deseada, la luz dejará de parpadear. Sin embargo, debe tener en cuenta que, al añadir más ingredientes al bol, el LED azul empezará a parpadear otra vez ya que la temperatura del contenido del bol se reducirá por los ingredientes fríos. También debe tener en cuenta que la luz estática empieza a parpadear si la frecuencia de mezclado se incrementa.

Enseguida se dará cuenta de que el Cooking Chef Kenwood es muy fácil de usar y que le ayudará a simplificar la preparación diaria de la comida.

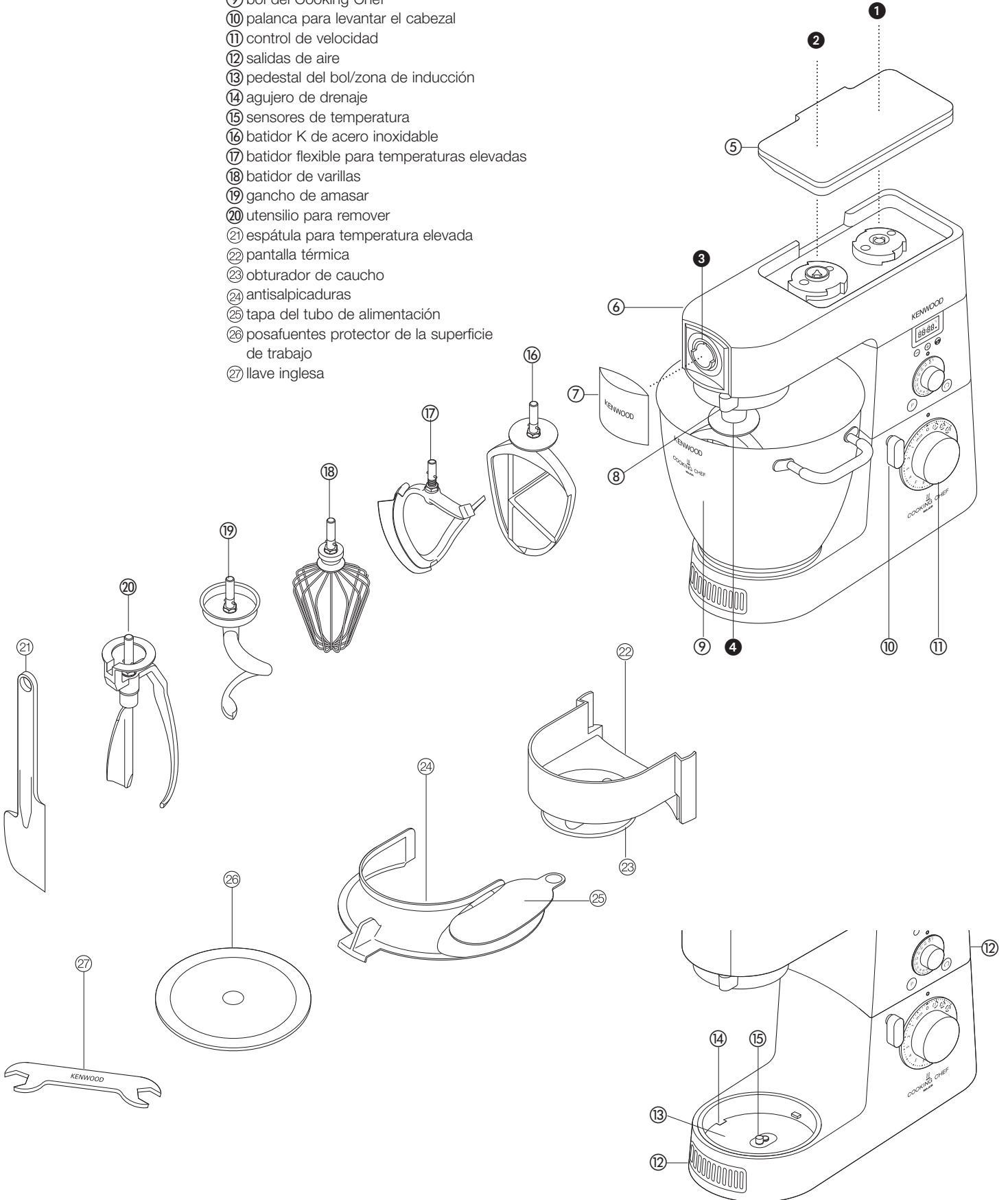
conozca su Cooking Chef Kenwood

salidas de los accesorios

- 1 salida de alta velocidad
- 2 salida de velocidad media
- 3 salida de baja velocidad
- 4 toma de los utensilios

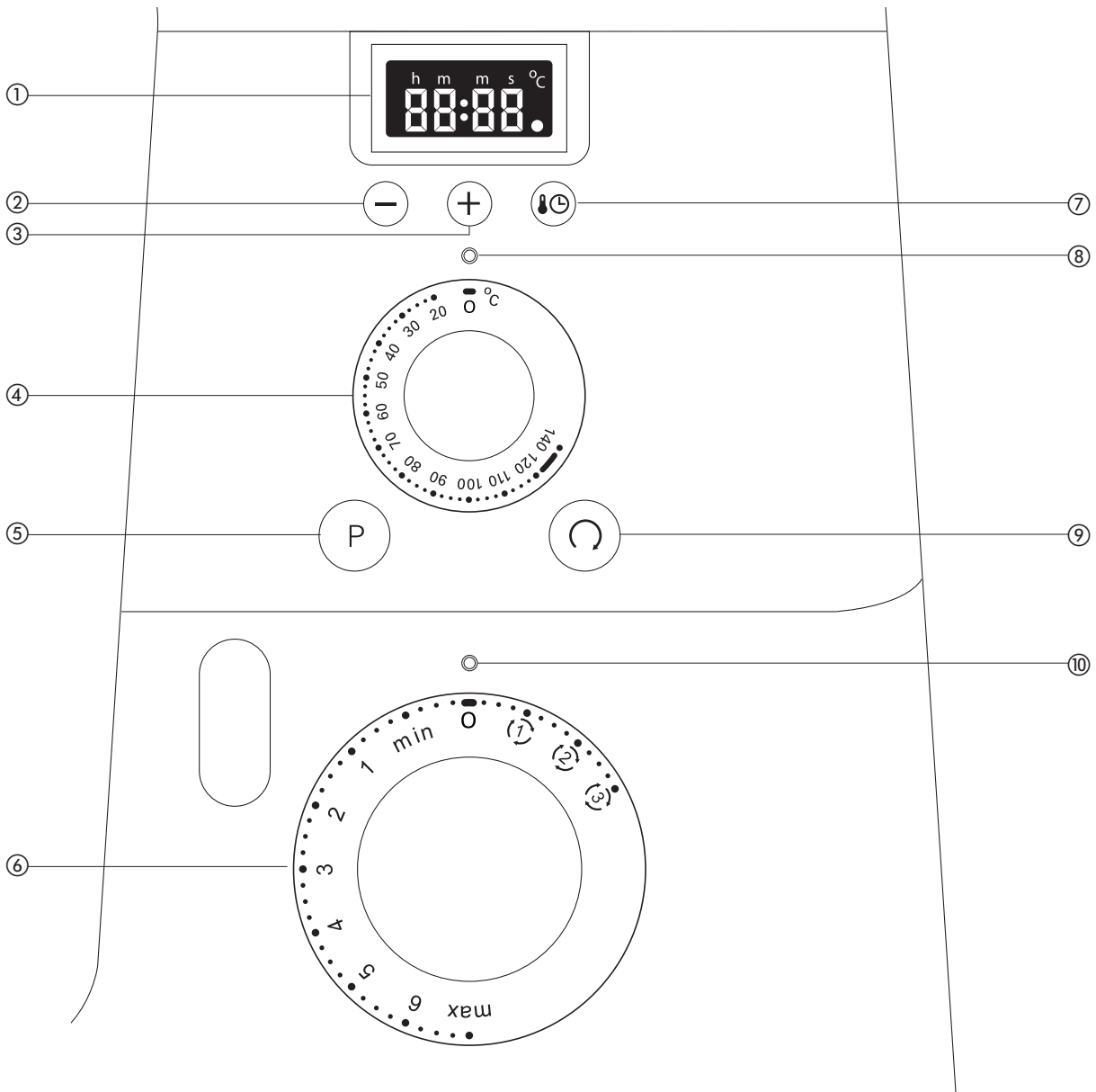
la mezcladora

- 5 tapa de la salida de velocidad media/alta
- 6 cabezal de la mezcladora
- 7 tapa de la salida de baja velocidad
- 8 palanca de la salida de baja velocidad
- 9 bol del Cooking Chef
- 10 palanca para levantar el cabezal
- 11 control de velocidad
- 12 salidas de aire
- 13 pedestal del bol/zona de inducción
- 14 agujero de drenaje
- 15 sensores de temperatura
- 16 batidor K de acero inoxidable
- 17 batidor flexible para temperaturas elevadas
- 18 batidor de varillas
- 19 gancho de amasar
- 20 utensilio para remover
- 21 espátula para temperatura elevada
- 22 pantalla térmica
- 23 obturador de caucho
- 24 antisalpicaduras
- 25 tapa del tubo de alimentación
- 26 posafuentes protector de la superficie de trabajo
- 27 llave inglesa



panel de control

- ① pantalla de temperatura/temporizador
- ② botón para reducir el tiempo
- ③ botón para aumentar el tiempo
- ④ control de temperatura
- ⑤ botón intermitente/botón del batidor de varillas de alta temperatura, alta velocidad
- ⑥ control de velocidad
- ⑦ botón selector de temperature/temporizador
- ⑧ luz indicadora de la temperatura
- ⑨ botón de batido lento
- ⑩ luz indicadora del control de velocidad



ajustar la altura de los utensilios

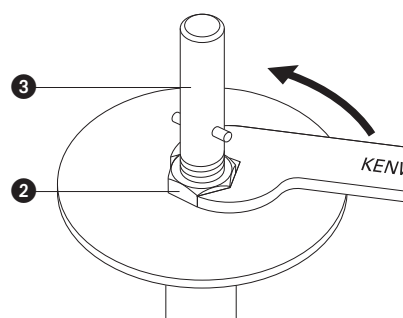
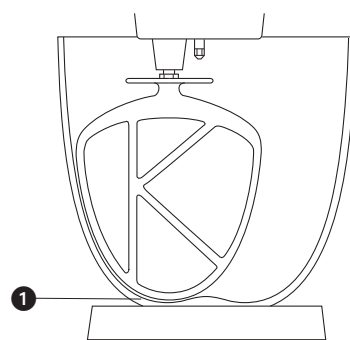
Remítase a la página 116 para consultar cómo se monta la mezcladora.

batidor de varillas, batidor K de acero inoxidable, utensilio para remover

Para obtener el mejor resultado, el batidor de varillas, el batidor K y el utensilio para remover **casi** deben tocar el fondo del bol ❶. Si es necesario, ajuste la altura con la llave inglesa que se facilita.

A continuación, se indica cómo hacerlo:

- 1 Desenchufe el aparato.
- 2 Levante el cabezal de la mezcladora e inserte el batidor de varillas, el batidor K o el utensilio para remover.
- 3 Baje el cabezal de la mezcladora. Si hay que ajustar el espacio libre, levante el cabezal de la mezcladora y quite el utensilio.
- 4 Con la llave inglesa facilitada, afloje la tuerca ❷ lo bastante para permitir el ajuste del eje ❸. Para bajar el utensilio más cerca del fondo del bol, gire el eje en sentido contrario a las agujas del reloj. Para subir el utensilio hacia arriba y alejarlo del fondo del bol, gire el eje en el sentido de las agujas del reloj.
- 5 Vuelva a apretar la tuerca.
- 6 Acople el utensilio a la mezcladora y baje el cabezal. (Compruebe su posición, consulte los puntos que se indican arriba)
- 7 Repita los pasos anteriores, en caso necesario, hasta que el utensilio esté colocado correctamente. Una vez conseguido, apriete bien la tuerca.



batidor flexible para temperaturas elevadas – este utensilio debería casi tocar el fondo del bol.

gancho de amasar – este utensilio se regula en la fábrica y no debería necesitar ningún ajuste.

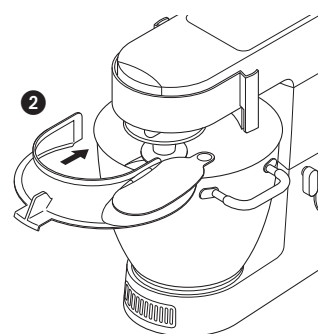
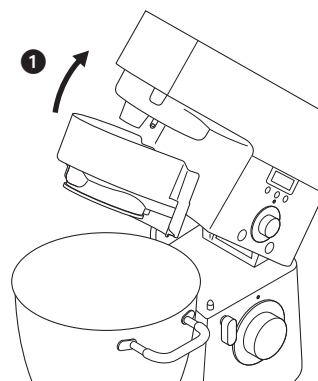
para acoplar y utilizar el montaje del antisalpicaduras

El montaje del antisalpicaduras consta de 2 piezas: la pantalla térmica y el antisalpicaduras.

La pantalla térmica se debe colocar durante las operaciones de cocción, de lo contrario, la mezcladora no funcionará y aparecerá el código de error E:03 en la pantalla. La pantalla térmica es para proteger el cabezal de la mezcladora del vapor producido durante el proceso de cocción.

En caso necesario, se pueden colocar tanto la pantalla térmica como el antisalpicaduras para retener los ingredientes en el bol, por ejemplo, al mezclar ingredientes ligeros como harina y azúcar glasé, o al cocinar ingredientes donde sea necesario conservar la humedad en el bol. El antisalpicaduras no se debe acoplar al bol a menos que se utilice junto con la pantalla térmica.

- 1 Levante el cabezal de la mezcladora hasta que quede bloqueado.
 - 2 Empuje la pantalla térmica hacia arriba en la parte inferior del cabezal de la mezcladora ❶ hasta que esté totalmente colocada. La pantalla térmica nunca se debe utilizar sin que el obturador de caucho esté correctamente ajustado.
 - 3 Ajuste el bol sobre la base.
 - 4 Baje el cabezal de la mezcladora.
 - 5 Apoye el antisalpicaduras en el borde del bol y, a continuación, deslícelo hacia adelante hasta que esté completamente colocado ❷.
 - Durante el proceso de mezclado, los ingredientes se pueden añadir directamente al bol a través del tubo de alimentación.
 - 6 Para quitar el antisalpicaduras, simplemente, deslícelo hacia atrás para apartarlo del aparato.
 - 7 Para quitar la pantalla térmica, levante el cabezal de la mezcladora hasta que quede bloqueado. Retire el utensilio, a continuación, tire de la pantalla térmica hacia abajo desde la parte inferior del cabezal de la mezcladora.
- Nota: únicamente, coloque o retire el antisalpicaduras cuando el cabezal de la mezcladora esté en posición de bloqueo.



la mezcladora

los utensilios de mezclado y algunos de sus usos

- batidor K • Para hacer tartas, galletas, pastelitos, glaseado, rellenos, pastelitos rellenos de crema y puré de patata.
- batidor de varillas • Para huevos, crema, pasta para rebozar, bizcochos sin grasa, merengues, tartas de queso, mousses, suflés. No utilice el batidor de varillas para mezclas pesadas (por ejemplo, batir manteca y azúcar), ya que podría dañarlo.
- gancho de amasar • Sólo para mezclas de levadura.
- batidor flexible para temperaturas elevadas • Adecuado para muchas tareas, en particular, preparar natillas, huevos revueltos y salsas. Ideal para quitar las mezclas tanto calientes como frías de los lados del bol durante el proceso de mezclado. Adecuado también para el salteado de verduras.
- utensilio para remover • Adecuado para usarlo durante la cocción para mantener la consistencia de los alimentos, por ejemplo, pollo, pescado, verduras y fruta.

para usar la mezcladora

Antes de usar la mezcladora, compruebe que los controles de temperatura y velocidad estén en las posiciones de desconexión "O".

- 1 Gire la palanca para levantar el cabezal en el sentido de las agujas del reloj **1** y levante el cabezal de la mezcladora hasta que quede bloqueado.
- 2 Coloque el utensilio en la toma, poniendo la clavija del eje en la ranura y, luego, gire para que quede ajustado en su posición **2**.

utensilio para remover – para acoplar el utensilio para remover, inserte el eje en la toma, luego, alinee la ranura en la extensión de manera que esté situada por debajo de la clavija de metal en la parte inferior del cabezal de la mezcladora. Sujete la paleta y gírela de manera que la clavija del eje esté debajo de la ranura, luego, empuje hacia arriba y gire para que quede ajustada en su posición **3**.

- 3 Coloque el bol sobre la base, apriete hacia abajo y gire en el sentido de las agujas del reloj **4**.
- 4 Para bajar el cabezal de la mezcladora, levántelo ligeramente y, luego, gire la palanca para levantar el cabezal en el sentido de las agujas del reloj. Bajar hasta que esté en posición de bloqueo.

- Invierta el paso 2 de arriba. (Utilice siempre guantes para horno para quitar utensilios después de cocinar).

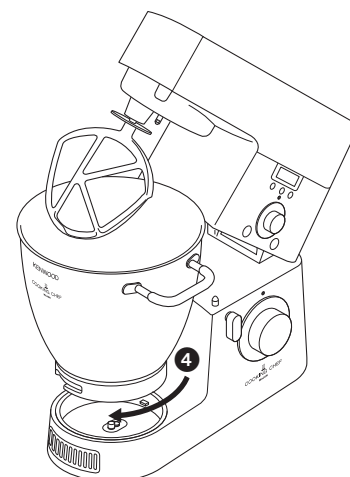
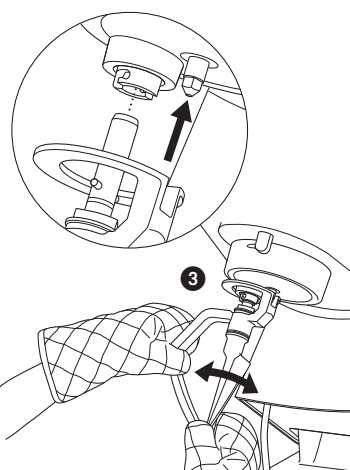
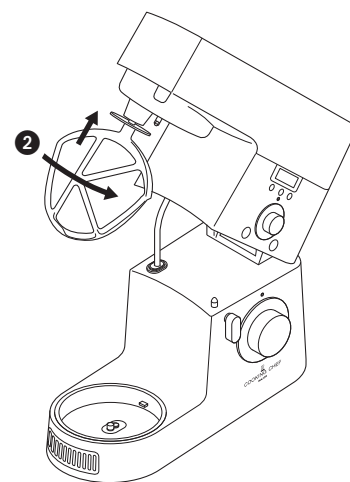
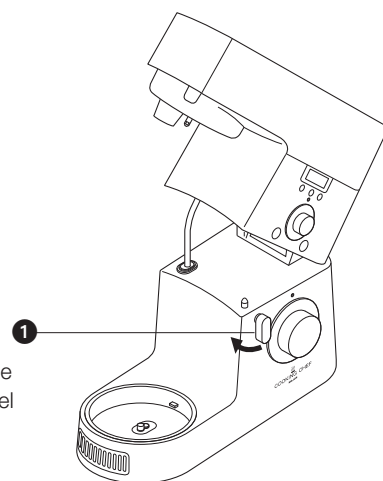
- 5 Conecte la mezcladora a la toma de corriente. Las luces indicadoras de temperatura y velocidad se iluminarán brevemente. La pantalla mostrará **88:88**, y, luego, se despejará y dejará el indicador de encendido iluminado **■**.
- 6 Gire el control de velocidad al ajuste deseado (consulte la página 117 para las recomendaciones), la mezcladora se pondrá en marcha y la luz indicadora del control de velocidad parpadeará. El temporizador contará a intervalos de 1 segundo. La velocidad se puede cambiar en cualquier momento mientras la mezcladora está en marcha.
- 7 Pare la mezcladora girando el control de velocidad a la posición de desconexión "O".

Importante – Si en cualquier momento, el cabezal de la mezcladora se levanta mientras está en funcionamiento, la máquina se parará automáticamente y emitirá un pitido, y no se volverá a poner en marcha cuando se baje el cabezal. Para volver a poner en marcha la mezcladora, gire el control de velocidad a la posición de desconexión "O" y, a continuación, vuelva a seleccionar una velocidad.


botón intermitente

El botón intermitente **P** sólo se puede usar cuando el control de velocidad esté en la posición de desconexión "O".

Para seleccionar esta función, apriete el botón intermitente **P** y la mezcladora funcionará a máxima velocidad durante el tiempo que el botón se mantenga apretado. Si el contenido del bol está por encima de los 60°C, la velocidad aumentará gradualmente. Esto irá acompañado de un pitido y las luces indicadoras de temperatura y velocidad parpadearán de forma rápida.



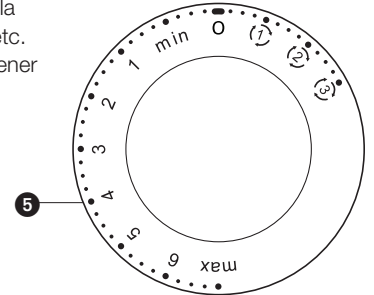
botón de batido lento

Apriete y suelte el botón de batido lento  y la mezcladora funcionará automáticamente a velocidad mínima durante 2 revoluciones y luego se parará. El botón se puede mantener apretado para una operación más larga o se puede apretar de forma repetida, según sea necesario, para combinar ingredientes.

Nota: si el botón de batido lento se aprieta mientras el motor está en marcha, realizará la función de batido lento estándar y, después, volverá a la velocidad seleccionada.

control de velocidad

Las siguientes velocidades son sólo una guía y variarán de acuerdo con la cantidad y la temperatura de los ingredientes que se estén mezclando, etc. Gire el control de velocidad en el sentido de las agujas del reloj para obtener velocidades de “min” a “max”.



batidor K ● **batir manteca y azúcar** empiece en “min” y aumente gradualmente hasta “max”.

● **batir huevos en mezclas cremosas** 4 – “max”.

● **añadir harina, fruta, etc** min - 1

● **mezclar a la vez todos los ingredientes de un pastel** empiece en la velocidad “min” e increméntela gradualmente hasta “max”.

● **mezclar manteca y harina** min - 2.

batidor flexible para ● **batir manteca y azúcar** empiece en “min” y aumente gradualmente hasta 3.

temperatura elevada ● **quitar las mezclas tanto calientes como frías de los lados del bol** empiece en “min” y aumente gradualmente hasta 3.

● **saltear verduras, remover risotto y polenta etc.,** use (1).

batidor de varillas ● Aumente gradualmente hasta “max”.

gancho de amasar ● Empiece en “min” e incremente gradualmente hasta 1.

utensilio para remover ● Utilícelo sólo con los ajustes de la función remover (1), (2), (3).

ajustes de la función remover

Para seleccionar los ajustes de la función remover, gire el control de velocidad en sentido contrario a las agujas del reloj. Estos ajustes son más apropiados cuando la mezcladora se utiliza en el modo de cocción. Tenga en cuenta que, para utilizar las velocidades para remover, todas las tapas de las salidas deben estar colocadas.

(1) – Use este ajuste cuando se necesite una velocidad lenta constante, por ejemplo, para remover salsas.

(2) – Cuando el control de velocidad esté ajustado en esta posición, la mezcladora funcionará de forma intermitente a una velocidad lenta una vez cada 5 segundos durante aproximadamente 2 revoluciones.

(3) – Cuando el control de velocidad esté ajustado en esta posición, la mezcladora funcionará de forma intermitente a una velocidad lenta una vez cada 30 segundos, haciendo que sea apropiado para remover guisos, etc.

Para detener el funcionamiento, gire el control de velocidad a la posición de desconexión “0”.

Nota:

● Siempre que se seleccione una velocidad, la luz indicadora de velocidad parpadeará.

● Al utilizar este ajuste, se puede oír un sonido fuerte y agudo procedente del aparato. Esto es normal.

usar la mezcladora para cocinar alimentos

IMPORTANTE

● Compruebe que la zona de inducción, los sensores de temperatura y la superficie externa de la base del bol estén limpios. Si no se sigue esta indicación, el sensor de calor se verá afectado, lo que tendrá como resultado un rendimiento de cocción pobre.

● Compruebe que todas las tapas de las salidas, incluyendo la pantalla térmica, estén colocadas. Si no están correctamente colocadas, la función de calentamiento no funcionará.

● Utilice siempre guantes para horno para quitar el bol y los utensilios después de cocinar.

1 Monte la mezcladora siguiendo las instrucciones de la página 116.

2 Gire el control de temperatura a la temperatura requerida.

- **El proceso de calentamiento no comenzará a menos que se seleccione una velocidad.**
- 3 Gire el control de velocidad hacia la velocidad deseada, lo cual hará que se encienda el motor y el calentador. Los dos luces indicadores parpadearán.
 - 4 Cuando se alcance la temperatura preseleccionada, la luz indicadora de la temperatura se iluminará de forma permanente. Sin embargo, durante la cocción, la luz empezará a parpadear si la temperatura cambia, lo que indica que la mezcladora está tratando de mantener la temperatura preseleccionada (lea la introducción en la página 111).
- Si la temperatura del bol sobrepasa los 60°C, por razones de seguridad, la velocidad se limita automáticamente, aunque se haya seleccionado una velocidad más alta. La velocidad no aumentará automáticamente cuando la temperatura descienda por debajo de 60°C. El control de velocidad se debe desconectar primero y, luego, volver a seleccionar la velocidad deseada.
 - Nota: cada vez que se apriete el botón selector de temperatura/temporizador, la pantalla alternará entre la visualización del tiempo y de la temperatura del contenido del bol.
- 5 Para parar o hacer una pausa en el proceso de mezclado y de calentamiento, gire el control de velocidad a la posición de desconexión "O". Para reanudar el funcionamiento, seleccione una velocidad.

consejos

- **Algunas recetas, en particular, las que tienen un alto contenido de agua, no podrán alcanzar una temperatura de cocción por encima de los 100°C (ya que éste es el punto de ebullición del agua).**
- Al añadir ingredientes al bol durante la cocción, baje la velocidad y añada los ingredientes de forma lenta y uniforme.
- Para calentar salsas de forma rápida, use un ajuste continuo de la función remover (D).
- Quizá encuentre que cambiar el utensilio para los diferentes procesos durante la preparación de su comida da mejores resultados, por ejemplo, usar el batidor flexible para temperaturas elevadas para freír verduras y, luego, el utensilio para remover al cocinar trozos de carne o de ave.
- Si utiliza el antisalpicaduras durante la cocción, quítelo siempre antes de levantar el cabezal de la mezcladora. Tenga cuidado con el vaho que se forma en el antisalpicaduras y la pantalla térmica.
- Cuando levante el cabezal de la mezcladora, levántelo lentamente para dejar que cualquier líquido en la parte inferior de la pantalla térmica vuelva a caer en el bol.
- Hay disponibles tres funciones para remover los alimentos que le permiten elegir si desea remover más o menos los alimentos según cada receta. Algunas recetas necesitarán que los alimentos se remuevan constantemente para evitar que algunos ingredientes se peguen en el fondo del bol, mientras que para otras recetas será mejor que los alimentos se remuevan de forma intermitente para mantener la consistencia de la comida.
- Para obtener un rendimiento óptimo, ajuste las alturas de los utensilios; consulte la página 115.
- El tiempo máximo de cocción es de 3 horas; después de este período de tiempo, la mezcladora se desconectará automáticamente.
- Se pueden calentar alimentos sin que haya un utensilio colocado, sin embargo, se debe seleccionar una velocidad. Esto puede ser ventajoso para derretir alimentos, por ejemplo, mantequilla o chocolate.
- Cada vez que se apriete el botón selector de temperatura/temporizador, la pantalla alternará entre la visualización del tiempo de cocción y la temperatura alcanzada en ese punto.

Control del batidor de varillas de alta temperatura, alta velocidad

Para batir a velocidad alta y a temperaturas por encima de los 60°C, gire el control de velocidad a la velocidad de batido deseada y luego apriete y mantenga apretado el botón intermitente. Esto irá acompañado de un pitido, y las luces indicadoras de temperatura y velocidad parpadearán de forma rápida. La velocidad de batido se incrementará lentamente hasta alcanzar la velocidad seleccionada.

Repita el procedimiento para aumentar más la velocidad. Puede reducir la velocidad de batido o apagar la mezcladora como de costumbre.

Esta función SOLAMENTE se debe utilizar con el batidor de varillas. No debe sobrepasar la capacidad de cocción máxima de 3 litros, y debe comprobar que el antisalpicaduras esté colocado. La máquina no se debe dejar desatendida.

después de cocinar

- Tenga cuidado al manejar o tocar cualquier parte de la mezcladora cuando se esté utilizando en el modo de cocción o después de cocinar, EN ESPECIAL EL BOL, EL ANTISALPICADURAS Y LOS UTENSILIOS ya que permanecen CALIENTES durante mucho tiempo después de que el aparato se haya desconectado. Use las asas para quitar y llevar el bol. Use guantes para horno al manejar el bol caliente y los utensilios de mezclado calientes.
- La parte inferior del bol permanecerá caliente durante mucho tiempo después de que el calentamiento se haya detenido. Sea prudente y utilice el posafuentes protector de la superficie de trabajo facilitado para proteger las superficies sensibles al calor.

pantalla

Para su seguridad, la mezcladora está equipada con 5 sensores de seguridad separados que funcionarán al utilizar la mezcladora en el modo de cocción. Si la mezcladora se conecta y hay un sensor de seguridad activado, la pantalla de temperatura/temporizador mostrará un mensaje de error, por ejemplo, "E:01". Esto irá acompañado de un pitido y la mezcladora no funcionará. Compruebe el siguiente mensajes de error:-

Mensaje de error	Descripción	Solución
E:01	El cabezal de la máquina está levantado. Cuando se levanta el cabezal, un sensor de seguridad desactiva el motor y el calentador. Si el control de velocidad se gira hacia cualquier ajuste distinto de la posición de desconexión "O" al levantar el cabezal, aparece este mensaje en la pantalla y el motor no se conectará.	Cierre el cabezal. Gire el control de velocidad a la posición "O" y, a continuación, seleccione la velocidad deseada.
E:02	El bol del Cooking Chef no está acoplado. La función de calentamiento sólo funcionará si se utiliza el bol del Cooking Chef. Este bol también debe estar correctamente acoplado. Los sensores de seguridad detectarán un bol incorrecto o el bol correcto pero mal acoplado.	Compruebe que se esté utilizando el bol del Cooking Chef. Compruebe que el bol esté correctamente acoplado. Gire el control de velocidad a "O" y, a continuación, seleccione la velocidad deseada.
E:03	La pantalla térmica no está acoplada. La función de calentamiento se desactivará si la pantalla térmica no está correctamente acoplada.	Compruebe que la pantalla térmica esté correctamente acoplada. Gire el control de velocidad a "O" y, a continuación, seleccione la velocidad deseada.
E:04	La tapa de la salida de velocidad lenta y las tapas de las salidas de velocidad media/velocidad alta no están acopladas. Estas tapas se acoplan por motivos de seguridad. Si las tapas no están correctamente acopladas, el calentamiento se desconectará, y si hay alguna función de remover los alimentos seleccionada, el motor funcionará de forma continua. Mezclar velocidades min a max hará que el motor funcione de forma continua.	Compruebe que todas las tapas estén correctamente acopladas. Gire el control de velocidad a "O" y, a continuación, seleccione la velocidad deseada.
E:09	Problema del sensor de temperatura. Si el control del calentador detecta una temperatura del bol más alta de lo esperado durante el uso normal, el motor y el calentador se desconectarán automáticamente.	Gire el control de velocidad a "O", desenchufe la máquina y deje que se enfríe. Compruebe que la base del bol y los sensores de temperatura estén limpios. Vuelva a enchufar y conectar la máquina como de costumbre.
E:10	Problema de sobrecalentamiento o velocidad del motor. Si el motor se ahoga o se calienta demasiado, el sistema de control desconectará el motor y el calentador automáticamente.	Gire el control de velocidad a "O" y desenchufe la máquina. Retire cualquier obstrucción que haga que el motor se ahogue. Compruebe que ninguna salida de aire esté obstruida. Enchufe y conecte.

Si éstos o cualquier otro código de error siguen apareciendo en la pantalla, póngase en contacto con el servicio de atención la cliente de Kenwood.

para usar el temporizador de cuenta atrás

El temporizador se puede usar tanto en el modo de cocción como de no cocción. Si no hay un tiempo de cuenta atrás seleccionado, el temporizador contará automáticamente hacia adelante a intervalos de 1 segundo mientras la mezcladora esté en funcionamiento. El tiempo máximo de funcionamiento es de 3 horas.

- 1 Conecte la mezcladora a la toma de corriente. La pantalla mostrará brevemente **88:88**, y luego, se despejará y dejará el indicador de encendido visible .
- 2 Apriete el botón + o el botón - y 0:00 aparecerá en la pantalla.
- 3 Apriete el botón + o el botón - hasta que se muestre el tiempo deseado. El temporizador contará hacia delante a intervalos de 5 segundos. Si el botón se aprieta de forma continua, los números cambiarán más deprisa cuanto más tiempo se mantenga apretado. Se puede seleccionar un tiempo máximo de 3 horas.
Nota: si el botón + se aprieta cuando el temporizador esté en 3:00, el tiempo mostrado en la pantalla cambiará a 0:00. Si el botón - se aprieta cuando el temporizador esté en 0:00, el tiempo mostrado en la pantalla cambiará a 3:00.
- 4 Gire el control de velocidad a la velocidad deseada, la mezcladora se pondrá en marcha y el temporizador contará hacia atrás a intervalos de 1 segundo.
 - El funcionamiento de la mezcladora se puede detener en cualquier momento girando el control de velocidad a la posición de desconexión "O". Esto detendrá también el temporizador. El temporizador seguirá contando hacia atrás cuando la mezcladora se vuelva a poner en marcha.
- 5 El proceso de mezclado se parará automáticamente cuando el tiempo total haya transcurrido y se emitirá un pitido durante 3 segundos. La pantalla parpadeará durante 5 segundos y, luego, se despejará y mostrará el indicador de encendido .

para reiniciar el temporizador

- 1 Ponga el temporizador a cero apretando los botones + y - al mismo tiempo (el control de velocidad debe estar en la posición de desconexión "O").
 - Si la mezcladora ha estado inactiva durante 10 minutos, la pantalla LCD y la luz posterior entrarán en "modo de espera" y todas las pantallas se apagarán. Si se activa cualquier botón o botón de control, la pantalla volverá a su formato previo.

capacidades máximas

pasta quebrada	• Peso de la harina: 910 g
masa de levadura dura	• Peso de la harina: 1,5 kg
	• Peso total: 2,4 kg
masa de levadura blanda	• Peso de la harina: 2,6 kg
	• Peso total: 5 kg
preparado para tartas de frutas	• Peso total: 4,55 kg
claras de huevo	• 16
modo de cocción	• 3 litros

- consejos generales
- Apague la mezcladora y limpie el bol con la espátula con frecuencia.
 - Los huevos se baten mejor si están a temperatura ambiente.
 - Antes de batir claras de huevo, compruebe que no haya grasa ni yema de huevo en el batidor de varillas o en el bol.
 - Utilice ingredientes fríos para las pastas a menos que su receta indique lo contrario.

puntos para hacer pan

- importante
- Nunca sobrepase las capacidades máximas establecidas, de lo contrario, sobrecargará el aparato.
 - Si oye que la máquina se ahoga, desconéctela, retire la mitad de la masa y trabaje cada mitad por separado.
 - Los ingredientes se mezclan mejor si se pone primero el líquido.

guía para la solución de problemas al cocinar

Problema	Causa	Solución
La mezcladora no funciona en el modo calor y muestra un mensaje de error y emite un pitido de aviso.	Uno de los sensores de seguridad ha sido activado.	<p>Consulte la tabla relativa a los mensajes de error en la página 119.</p> <ul style="list-style-type: none"> • Compruebe que el cabezal esté bajado y bloqueado. • Compruebe que todas las tapas de las salidas estén correctamente acopladas. • Compruebe que la pantalla térmica esté correctamente acoplada. • Compruebe que el bol del Cooking Chef esté correctamente acoplado.
Se ha seleccionado una temperatura pero el contenido del bol no se calienta (la luz indicadora de la temperatura no está iluminada).	No se ha seleccionado ninguna velocidad.	Seleccione una velocidad.
La mezcladora cambia de velocidad durante el proceso de cocción.	La velocidad se limita automáticamente cuando el contenido del bol alcanza los 60°C.	Esto es una función de seguridad.
La comida se quema en la base del bol.	<ol style="list-style-type: none"> 1 Puede que el ajuste de temperatura seleccionado sea demasiado alto. 2 Se está utilizando un utensilio incorrecto. 3 La función remover es demasiado lenta. 4 Puede que el utensilio no esté lo suficientemente cerca del fondo del bol. 5 El temporizador se ha configurado para un tiempo demasiado prolongado. 6 Puede que el sensor y/o la parte inferior del bol no estén limpios. 	<ol style="list-style-type: none"> 1 Reduzca la temperatura en el dial o cocine a una temperatura más baja. 2 Compruebe que se esté utilizando el utensilio más adecuado. 3 Aumente la frecuencia de la función remover o aumente a un funcionamiento continuo. 4 Ajuste el utensilio. 5 Cocine durante un período de tiempo más corto (compruebe que la comida esté bien cocida). 6 Compruebe que estas zonas estén limpias y secas.
No se mantiene la consistencia de los alimentos.	<ol style="list-style-type: none"> 1 La temperatura seleccionada es demasiado alta. 2 La función remover va demasiado deprisa. 3 Ingredientes cocidos durante demasiado tiempo. 4 Se está utilizando un utensilio incorrecto. 	<ol style="list-style-type: none"> 1 Reduzca la temperatura. 2 Reduzca la velocidad de la función remover. 3 Reduzca el tiempo de cocción (compruebe que la comida esté bien cocida). 4 Compruebe que se esté utilizando el utensilio más adecuado.
Velocidad de mezclado inconstante.	<ol style="list-style-type: none"> 1 Los ingredientes son demasiado grandes, duros o demasiado firmes. 	<ol style="list-style-type: none"> 1 Corte los alimentos en trozos más pequeños, quite los huesos de la fruta, funda lentamente los ingredientes sin que haya un utensilio colocado (pero compruebe que se haya seleccionado una velocidad). 2 Añada los ingredientes después de haber bajado el cabezal. 3 Compruebe que se esté utilizando el utensilio más adecuado.
Se han añadido ingredientes fríos a una mezcla caliente pero la pantalla de la temperatura no responde enseguida.	Si el contenido del bol no se remueve bien, habrá distintas temperaturas por todo el bol.	<ol style="list-style-type: none"> 1 Deje tiempo para que los ingredientes se mezclen bien. 2 Aumente la velocidad de la función remover.
Dificultad para cerrar el cabezal de la mezcladora con comida en el bol.	Los ingredientes firmes como el chocolate en el fondo del bol impiden que el cabezal de la mezcladora se cierre bien.	Añada los ingredientes después de haber bajado el cabezal de la mezcladora.
La mezcladora funciona continuamente cuando la función remover (☺) o la función remover (☹) están seleccionadas.	Las tapas de las salidas no están correctamente acopladas.	Compruebe que las tapas de las salidas estén correctamente acopladas.
La velocidad del motor está limitada cuando se usan accesorios.	El bol acoplado está caliente.	Quite el bol o enfríe el bol a menos de 60°C.

accesorios opcionales disponibles

Para comprar un accesorio que no esté incluido en su paquete, consulte "servicio técnico y atención al cliente".

accesorios código del accesorio

accesorio para pasta laminada

① **AT970A**
 accesorios complementarios para hacer pasta (sin ilustración) para usar con AT970A

AT971A tallarines
AT972A tagliolini
AT973A trenette
AT974A espaguetis

accesorio para hacer pasta ② **AT910** equipado con un molde para macarrones "rigati" (se pueden acoplar 12 moldes opcionales más el accesorio para hacer galletas)

cortador de alimentos giratorio

③ **AT643** equipado con 5 tambores

exprimidor de frutas

④ **AT644**

molinillo multialimentos

⑤ **AT950A** viene equipado con una pantalla fina, una mediana y una gruesa, con una boquilla para salchichas pequeña y otra ancha, y con un accesorio para "kebbe"

molinillo multialimentos

⑥ **AT955** viene equipado con una pantalla fina, una mediana y una gruesa, con una boquilla para salchichas pequeña y otra ancha, y con un accesorio para "kebbe"

molinillo de granos

⑦ **AT941A**

procesador de alimentos

⑧ **AT647** incluye 6 discos de corte y una cuchilla

pro rebanador rallador

⑨ **AT340** incluye 7 discos de corte

exprimidor de cítricos

⑩ **AT312**

licuadora

⑪ 1,5 l acrílico **AT337**, 1,6 l cristal termostensible **AT358**, 1,5 l acero inoxidable **AT339**

minipicadora/molinillo

⑫ **AT320A** equipado con 4 recipientes de vidrio y 4 tapas para guardar

exprimidor continuo

⑬ **AT641**

heladora

⑭ **AT957A**

pelador de patatas

⑮ **AT445**

colador y tamiz

⑯ **AT930A**

balanza

⑰ **AT850B**

bol de acero inoxidable

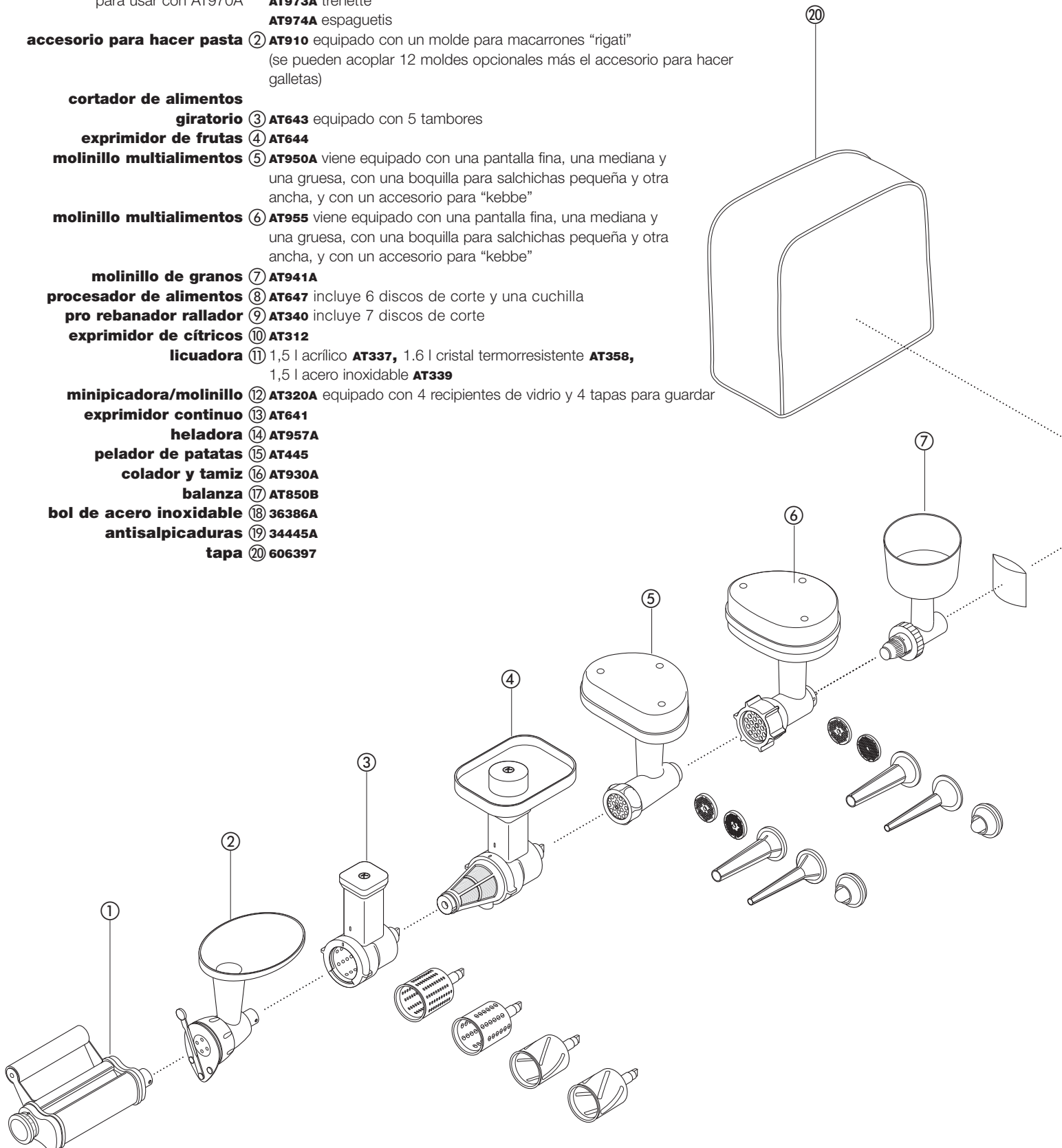
⑱ **36386A**

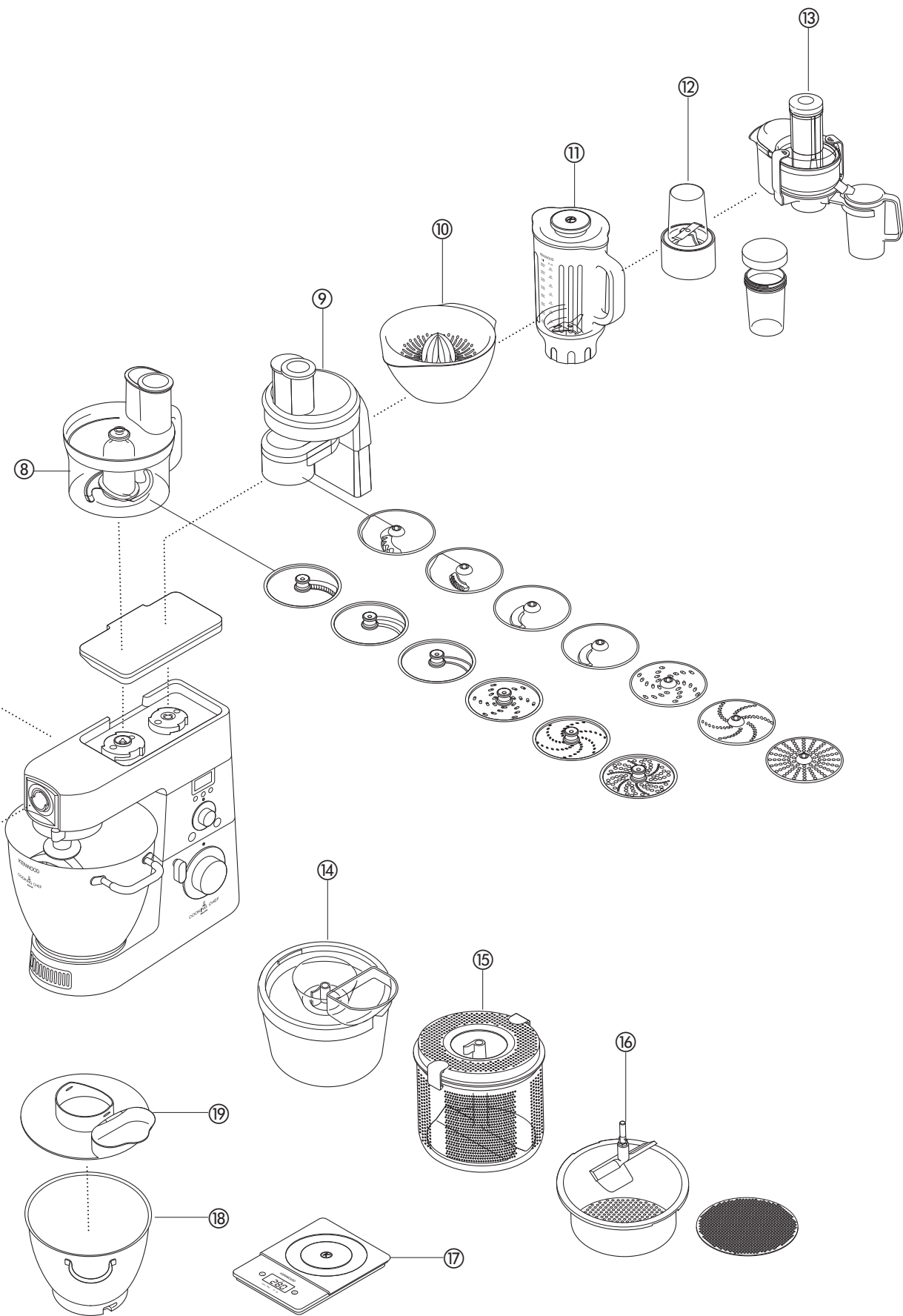
antisalpicaduras

⑲ **34445A**

tapa

⑳ **606397**

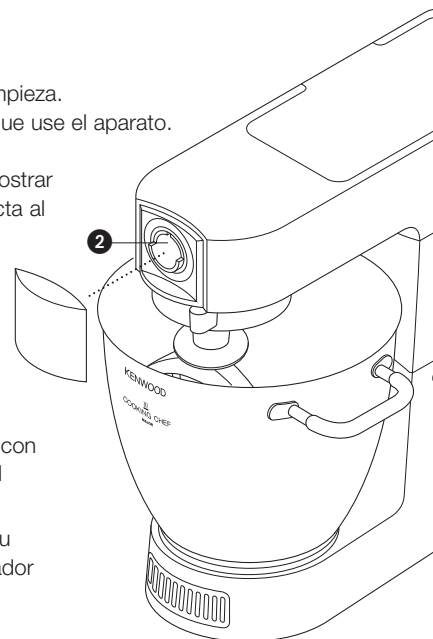




limpieza y servicio técnico

cuidado y limpieza

- Apague y desenchufe siempre el aparato antes de proceder a su limpieza.
- Quizá aparezca un poco de grasa en **la salida 2** la primera vez que use el aparato. Esto es algo normal – límpiela sin más.
- Las superficies de metal de los sensores de temperatura pueden mostrar signos de desgaste durante el uso normal. Esto es normal y no afecta al rendimiento del producto.
- No deje el batidor flexible para temperaturas elevadas acoplado a la mezcladora cuando no la utilice.



aparato, tapas de las salidas

batidor flexible para temperaturas elevadas

- Límpielos con un paño húmedo y, a continuación, séquelos.
- Nunca los sumerja en agua ni utilice productos abrasivos.
- Quite siempre la escobilla del limpiador flexible del utensilio antes de proceder a la limpieza.
- Lave la escobilla del limpiador flexible y el utensilio en agua caliente con jabón, y luego seque bien. También se pueden lavar las piezas en el lavavajillas.

Nota: revise el estado del cuerpo del utensilio antes y después de su uso; revise también regularmente el estado de la escobilla del limpiador y sustitúyala si hay signos de desgaste.

bol, utensilios, antisalpicaduras

- Lave a mano y luego seque bien o lave en el lavavajillas.
- No utilice nunca un cepillo metálico, un estropajo de aluminio ni lejía para limpiar su bol de acero inoxidable. Use vinagre o un producto antical adecuado para eliminar las incrustaciones de cal.
- Si se pega o se quema comida dentro del bol, quite todo lo que pueda con la espátula que se facilita. Llene el bol con agua templada con jabón y déjelo en remojo. Elimine los depósitos rebeldes con un cepillo de nylon.
- Cualquier cambio de color del bol no afectará a su rendimiento.

agujero de drenaje

- Asegúrese de que esta zona esté libre de comida. En caso necesario, use un limpiador de tubos o un bastoncillo de algodón para limpiarlo.

sensores de temperatura

- Límpielos con un paño húmedo y, a continuación, séquelos bien. Nunca utilice productos abrasivos ni instrumentos afilados para limpiar los sensores.

servicio técnico y atención al cliente

- Si el cable está dañado, por razones de seguridad, debe ser sustituido por Kenwood o por un técnico autorizado por Kenwood.

Si necesita ayuda sobre:

- el uso del aparato o
- el servicio técnico o reparaciones

Póngase en contacto con el establecimiento en el que compró el aparato.

- Diseñado y creado por Kenwood en el Reino Unido.
- Fabricado en China.



ADVERTENCIAS PARA LA ELIMINACIÓN CORRECTA DEL PRODUCTO SEGÚN ESTABLECE LA DIRECTIVA EUROPEA 2002/96/CE.

Al final de su vida útil, el producto no debe eliminarse junto a los desechos urbanos. Puede entregarse a centros específicos de recogida diferenciada dispuestos por las administraciones municipales, o a distribuidores que faciliten este servicio. Eliminar por separado un electrodoméstico significa evitar posibles consecuencias negativas para el medio ambiente y la salud derivadas de una eliminación inadecuada, y permite reciclar los materiales que lo componen, obteniendo así un ahorro importante de energía y recursos. Para subrayar la obligación de eliminar por separado los electrodomésticos, en el producto aparece un contenedor de basura móvil tachado.

recetas

Consulte los puntos importantes para hacer pan en la página 120.

- pan blanco** *masa de levadura dura*
- ingredientes
- 1,36 kg de harina normal fuerte
 - 15 ml (3 cucharaditas) de sal
 - 25 g de levadura fresca; o 15 g/20 ml de levadura seca + 5 ml (1 cucharadita) de azúcar
 - 750 ml de agua caliente: 43°C. Use un termómetro o añada 250 ml de agua hirviendo a 500 ml de agua fría
 - 25g de manteca
- preparación
- 1 **levadura seca** (de la clase que necesita reconstitución): vierta el agua caliente en el bol. A continuación, añada la levadura y el azúcar y déjelo durante unos 10 minutos hasta que se haga una espuma.
levadura fresca: desmenúcela en la harina.
otros tipos de levadura: siga las instrucciones del fabricante.
 - 2 Vierta el líquido en el bol. Luego, añada la harina (con levadura fresca si la utiliza), sal y manteca.
 - 3 Amase a velocidad mínima durante 45 – 60 segundos. Luego, aumente a velocidad 1, añadiendo más harina si es necesario, hasta que se haya formado una masa.
 - 4 Amase durante 3 – 4 minutos más a velocidad 1 hasta que la masa sea homogénea, elástica y deje los lados del bol limpios.
 - 5 Ponga la masa en una bolsa de polietileno untada con mantequilla o en un bol tapado con un paño de cocina. Déjela en un sitio templado hasta que haya doblado su tamaño.
 - 6 Vuelva a amasar durante 2 minutos a velocidad 1.
 - 7 Llene por la mitad cuatro moldes de 450 g untados con grasa con la masa, o déles forma de bollos.
Luego, cúbralos con un paño de cocina y déjelos en un sitio templado hasta que hayan doblado su tamaño.
 - 8 Hornee a 230°C/Marca de gas 8 durante 30 - 35 minutos *para las hogazas* o 10 - 15 minutos *si se trata de bollos*.
 - Una vez listo, el pan tiene que sonar hueco al darle golpecitos en la base.

- pan blanco** *masa de levadura blanda*
- ingredientes
- 2,6 kg de harina normal
 - 1,3 litros de leche
 - 300 g azúcar
 - 450 g de margarina
 - 100 g de levadura fresca o 50 g de levadura seca
 - 6 huevos, batidos
 - 5 pizcas de sal
- preparación
- 1 Derrita la margarina en la leche y caliéntela hasta 43°C.
 - 2 **levadura seca** (de la clase que necesita reconstitución): añada la levadura y el azúcar a la leche y déjelo durante unos 10 minutos hasta que se haga una espuma.
levadura fresca: desmenúcela en la harina y añada el azúcar.
otros tipos de levadura: siga las instrucciones del fabricante.
 - 3 Vierta la leche en el bol. Añada los huevos batidos y 2 kg de harina.
 - 4 Mezcle a velocidad mínima durante 1 minuto, luego a velocidad 1 durante un minuto más.
Limpie los restos de masa del bol.
 - 5 Añada el resto de la harina y mezcle a velocidad mínima durante 1 minuto, luego a velocidad 1 durante 2 – 3 minutos hasta que la mezcla sea suave y homogénea.
 - 6 Llene por la mitad algunos moldes de 450 g untados con grasa con la masa, o déles forma de bollos.
Luego, cúbralos con un paño de cocina y déjelos en un sitio templado hasta que hayan doblado su tamaño.
 - 7 Hornee a 200°C/Marca de gas 6 durante 20 - 25 minutos *para las hogazas* o 15 minutos *si se trata de bollos*.
 - 8 Una vez listo, el pan tiene que sonar hueco al darle golpecitos en la base.
 - Para unas 10 hogazas.

recetas *continuación*

tarta de fresa y albaricoque

- Ingredientes: bizcocho
- 3 huevos
 - 75 g de azúcar lustre
 - 75 g de harina normal
- relleno y decoración
- 150 ml de nata para montar
 - Azúcar al gusto
 - 225 g de fresas
 - 225 g de albaricoques
- preparación
- 1 Corte los albaricoques por la mitad y quite los huesos. Cocínelos a fuego lento con muy poco agua, añadiendo azúcar al gusto, hasta que estén blandos.
 - 2 Lave y corte las fresas por la mitad.
 - 3 Para hacer el bizcocho, bata los huevos y el azúcar a velocidad máxima hasta que la mezcla tenga un color muy pálido y esté espesa.
 - 4 Quite el bol y el batidor de varillas. Mezcle la harina a mano con una cuchara grande de metal (con cuidado para que el bizcocho quede ligero).
 - 5 Ponga la mezcla en dos moldes de tarta de 18 cm, untados con mantequilla y forrados.
 - 6 Hornee a 180°C/Marca de gas 4 durante unos 20 minutos hasta que la tarta ceda un poco al tacto sin perder su forma al ser ligeramente presionada.
 - 7 Páselos a una bandeja de rejilla para que se enfríen.
 - 8 Bata la nata a la velocidad máxima hasta que se monte. Añada azúcar al gusto.
 - 9 Trocee los albaricoques y una tercera parte de las fresas. Échelos en la mitad de la nata.
 - 10 Esparza esto en uno de los bizcochos, luego ponga el otro encima.
 - 11 Esparza el resto de la nata por encima y decore con el resto de las fresas.

merengues

- ingredientes
- 4 claras de huevo
 - 250 g de azúcar glasé, tamizado
 - Forre la bandeja con papel de horno antiadherente.
- preparación
- 1 Bata las claras de los huevos y el azúcar a la velocidad máxima durante unos 10 minutos hasta que forme picos.
 - 2 Ponga la mezcla en la bandeja con una cuchara (o utilice una manga pastelera con una boquilla de estrella de 2,5 cm).
 - 3 Hornee a 110°C/Marca de gas 1/4 durante unas 4 - 5 horas hasta que estén firmes y crujientes. Si se empiezan a dorar demasiado, deje la puerta del horno un poquito entreabierta.
- Conserve los merengues en un recipiente hermético.

pasta quebrada

- ingredientes
- 450 g de harina, tamizada con la sal
 - 5 ml (una cucharadita) de sal
 - 225 g de grasa (mezcle manteca y margarina recién sacadas del frigorífico)
 - Unos 80 ml (4 cucharadas) de agua
- consejo
- No mezcle demasiado
- preparación
- 1 Ponga la harina en el bol. Corte la grasa en trozos iguales y añádala a la harina.
 - 2 Con el batidor K de acero inoxidable mezcle a velocidad 1 hasta que adquiera un aspecto similar al del pan rallado.
Deje de mezclar antes de que tenga un aspecto grasiento.
 - 3 Añada el agua y mezcle a velocidad mínima. Pare tan pronto como el agua se haya ligado.
 - 4 Cocine a unos 200°C/Marca de gas 6, dependiendo del relleno.

adobo de chili

- ingredientes
- 200 g de miel líquida fría (refrigerada durante la noche)
 - 1 chili verde (entero)
 - 5 ml (1 cucharadita) de mantequilla de cacahuete crujiente
 - condimento
- preparación
- 1 Ponga todos los ingredientes en la minipicadora/molinillo.
 - 2 Acople el accesorio a la mezcladora y deje que los ingredientes se depositen alrededor de la cuchilla.
 - 3 Pulse el botón intermitente durante 10 segundos.
 - 4 Úselo como sea necesario.

GARANTIA

Este artículo está GARANTIZADO por UN AÑO desde su fecha de compra, para su uso normal de acuerdo con las instrucciones, contra defectos de fabricación o montaje.

ARTICULO

FECHA DE COMPRA

FIRMA Y SELLO DEL VENDEDOR

Solicite el servicio de Asistencia Técnica al Vendedor, o a la central de Servicios Técnicos: PRESAT, S.A. - Tel. 93-247 85 70, o a KENWOOD ESPAÑA - Av. Ports d'Europa, 100 3ª Pl. Zona ZAL, Edif. Service Center, 08040 BARCELONA, ESPAÑA - TEL.: 93-552 58 75 - FAX:93-552 58 59 . Presente al S.A.T. esta GARANTIA cumplimentada o la Factura de compra

Русский

Перед использованием электроприбора Kenwood

- Внимательно прочтите и сохраните эту инструкцию.
- Распакуйте изделие и снимите все упаковочные ярлыки.

Знакомство с кухонным комбайном Kenwood Cooking Chef

Меры безопасности

Важное сообщение для пользователей с электронными медицинскими имплантатами

- Как и остальные устройства, работающие на принципе магнитной индукции, это устройство генерирует магнитные поля короткого диапазона. Если лицо, работающее с кухонным комбайном или находящееся в непосредственной близости от него, имеет в своем теле кардиостимулятор или любой другой активный имплантат, следует проконсультироваться с врачом перед использованием, на предмет совместимости, во избежание возникновения рисков для здоровья.
- Перед поднятием или снятием инструментов/насадок, а также после использования и перед очисткой обязательно выключите кухонную машину и отсоедините сетевой шнур от розетки.
- Не касайтесь частями тела, ювелирными изделиями и элементами одежды вращающихся частей комбайна и установленных насадок.
- Не дотрагивайтесь руками до внутренних частей шарнирного механизма.
- Не оставляйте включенный прибор без присмотра.
- Не пользуйтесь неисправным прибором. Проверьте и отремонтируйте его: См. раздел 'Уход и забота о клиентах' на стр.142.
- Используйте только предназначенные для этого комбайна насадки. Запрещается одновременное использование нескольких насадок.
- Не допускайте превышения максимальных норм загрузки комбайна, указанных на странице 138; при использовании индукционного подогрева, не превышайте максимальную отметку в три литра, отмеченную на внутренней поверхности емкости.
- При использовании насадки ознакомьтесь с указаниями по мерам безопасности, поставляемыми в комплекте с насадками комбайна.
- Поднимая этот прибор, будьте осторожны, поскольку он тяжелый. Перед подъемом убедитесь в том, что головная часть электроприбора зафиксирована, а емкость, насадки, крышки и сетевой шнур надежно закреплены.
- Не допускайте, чтобы электрический шнур свисал вниз там, где его могут схватить дети.
- Следите за тем, чтобы вода не попала на блок привода, электрический шнур или штепсельный разъем.
- Соблюдайте осторожность, дотрагиваясь до любой из частей прибора во время работы в режиме приготовления или сразу после него. Особенно это касается ЕМКОСТИ, ЗАЩИТНОГО ПРИСПОСОБЛЕНИЯ И ИНСТРУМЕНТОВ, т.к. они остаются ГОРЯЧИМИ длительное время после выключения прибора. Для снятия и переноски емкости используйте ручки. Дотрагиваясь до горячей емкости или насадок, надевайте кухонные рукавички.
- Дно емкости остается горячим длительное время после прекращения нагрева. Соблюдайте осторожность и используйте защитные коврики, устанавливая емкость на нетермостойкую рабочую поверхность.
- Будьте осторожны - горячий пар может вырваться из чаши миксера, особенно во время открывания крышки защитного приспособления или головки миксера.
- Прежде, чем перекладывать продукты из миксера в соковыжималку, дайте им остыть до комнатной температуры.
- Используйте только те инструменты и чашу, которые поставлялись в комплекте с данным прибором. Запрещается использовать чашу с другими нагревательными приборами.
- Запрещается включать прибор с пустой чашей в режиме приготовления.
- Запрещается помещать посторонние предметы в отверстия для вентиляции.
- При работе с прибором устанавливайте его на ровную поверхность, как можно дальше от края. Убедитесь, что расстояние от прибора до стен составляет не менее 10 см, а вентиляционные отверстия ничем не заблокированы. Не устанавливайте прибор под навесными шкафчиками.
- Для правильной и безопасной работы индукционного нагрева убедитесь, что основа чаши и датчики температуры - чистые и сухие.
- При использовании прибора, так же, как и при использовании любого другого прибора с индукционным нагревом, не кладите кредитные карты, магнитные носители или чувствительное электронное оборудование возле работающего прибора.
- Не используйте прибор для жарки продуктов во фритюре.
- Перед употреблением пищи, убедитесь, что она полностью готова.
- Продукты следует употреблять сразу после приготовления, либо быстро охлаждать и как можно скорее помещать в холодильник.
- Людям (включая детей) с ограниченными физическими, сенсорными или психическими способностями, а также при недостатке опыта и знаний разрешается пользоваться данным бытовым прибором только под наблюдением лица, ответственного за их безопасность, и после инструктажа по использованию прибора.
- Дети должны быть под присмотром и не играть с прибором.
- Этот бытовой электроприбор разрешается использовать только по его прямому назначению. Компания Kenwood не несет ответственности, если прибор используется не по назначению или не в соответствии с данной инструкцией.

перед включением комбайна

- Убедитесь, что параметры электрической сети совпадают с данными, указанными в табличке на нижней поверхности машины.
- Данное устройство соответствует директиве ЕС 2004/108/ЕС по электромагнитной совместимости, а также норме ЕС 1935/2004 от 27/10/2004 по материалам, предназначенным для контакта с пищевыми продуктами.

перед первым использованием

Вымойте все части: См. раздел 'чистка и уход' на стр. 142.

ВВЕДЕНИЕ

Благодарим вас за приобретение кухонной машины Kenwood Cooking Chef. Мы надеемся, что вы будете с радостью пользоваться прибором долгие годы.

Компания Kenwood обладает почти 60-летним опытом разработки кухонных машин и различных насадок для них. Общеизвестно, что кухонные машины Kenwood Chef – это намного больше, чем просто прибор для смешивания продуктов.

Создавая модель Cooking Chef, мы взяли широко-известную своей универсальностью машину Chef и добавили к ней встроенный индукционный нагрев прямо под чашей для смешивания. Теперь вы можете не только насладиться всеми преимуществами повседневного смешивания продуктов, готовя свои любимые пирожные, печенье и тесто, но и нагревать и готовить блюда прямо в чаше. Ваши возможности ничем не ограничены.

Благодаря множеству своих дополнительных насадок, Kenwood Cooking Chef является действительно полноценной системой для приготовления пищи.

Сила. Надежность. Гибкость. Kenwood.

Что такое индукция и как это работает?

Индукция – это новое слово в приготовлении пищи. Преимуществом этого метода является то, что в нем используется принцип электромагнитной индукции. Электрический ток, проходящий по медному проводнику, расположенному в нагревательном отсеке, создает электромагнитное поле. Когда емкость машины Cooking Chef блокируется в рабочем положении, цепь замыкается посредством контакта из нержавеющей стали в основании емкости. В результате образуется большое количество тепловой энергии, которая проходит через содержимое емкости и нагревает ее.

Индукционный способ приготовления пищи является очень экономным, поскольку тепло образуется только в основании емкости. Другие методы подогрева, например, газовые плиты, расходуют почти 50% тепловой энергии на разогрев стенок сковороды или кастрюли. Естественно, область нагрева устройства Cooking Chef будет горячей только во время и сразу после приготовления, поскольку на нее передается тепло от нагретого содержимого емкости. Все это говорит об эффективности, безопасности и чистоте этого метода приготовления пищи.

Приготовление пищи с помощью машины Cooking Chef подобно приготовлению с помощью кастрюли на обычной варочной поверхности. Дополнительным преимуществом является то, что машина Chef автоматически перемешивает пищу и регулирует температуру приготовления согласно заданной программе, в то время как вы можете заниматься другими делами на кухне.

В машине Cooking Chef используется технология индукционного подогрева, которая крайне эффективна. По сравнению с приготовлением пищи на газовой или электрической плите для индукционного метода характерно меньшее время или меньшая температура приготовления. Об этом следует помнить при первом использовании машины или при экспериментах с новыми рецептами. Если вы начинаете готовить при высокой температуре, следите за продуктами, чтобы уменьшить температуру, если пища начнет подгорать и приставать к емкости, также как и при приготовлении в обычной кастрюле. Обычно машина Cooking Chef будет автоматически готовить блюда на заданной температуре за оптимальное время. Поэтому, нет необходимости устанавливать более высокую температуру, чтобы ускорить процесс приготовления. На этом этапе также следует обращать внимание на частоту помешивания. Если вы установили высокую температуру приготовления, может понадобиться установить постоянный режим помешивания (1). Параметры помешивания полезны (2) для придания (3) продуктам нужной консистенции при длительном приготовлении на малом огне.

На этом этапе также важно правильно выбрать емкость. Дальше в этом руководстве вы найдете рекомендации по выбору насадок. Со временем вы научитесь быстро выбирать правильные инструменты для различных задач. При приготовлении вы заметите, что гибкая высокотемпературная взбивалка лучше подходит для получения равномерной консистенции при приготовлении соусов и кремов, в то время как насадка для помешивания лучше подходит для приготовления пищи, когда требуется меньшая консистенция, как для рагу, запеканок и т. п. В нашей книге рецептов вы найдете рекомендации по выбору насадок не только для каждого блюда, но и для разных этапов приготовления.

Во время приготовления и сразу после него, емкость, защитные приспособления и инструмент будут горячими, как и обычная сковорода. Будьте осторожны при обращении с этими частями машины. Важно также помнить, что в процессе приготовления образуется пар и конденсат. Будьте осторожны, когда заглядываете в емкость, поднимаете крышку рукава или головку машины Cooking Chef, чтобы получить доступ к емкости. Предупредите других людей, находящихся на кухне о том, что они должны быть осторожны. Если вам необходимо снять горячую деталь или дотронуться до нее, используйте кухонные перчатки и держите емкость только за ее ручки. Также для защиты нагреваемых рабочих поверхностей можно использовать защитные коврики.

При нагревании жидкостей или продуктов с высоким содержанием влаги, точность показаний температуры когда в диапазоне +/- 5°C. Точность показаний температуры будет зависеть от консистенции содержимого емкости, его объема, частоты помешивания и используемой насадки. Это подобно приготовлению на обычной плите когда, например, большое количество продуктов в большой кастрюле нагревается, но не равномерно перемешивается. У дна кастрюли содержимое будет горячим, или даже может пригореть, а содержимое, которое находится сверху, будет значительно холоднее.

Помимо температурного экрана машина снабжена небольшим синим индикатором. Индикатор будет мигать до тех пор, пока машина не разогреется до выбранной температуры. После того, как выбранная температура будет достигнута, индикатор перестанет мигать. Однако вы заметите, что при добавлении ингредиентов в емкость синий индикатор снова начнет мигать, поскольку холодные ингредиенты понизят температуру содержимого емкости. Также вы заметите, что индикатор начнет мигать при увеличении скорости помешивания.

Вы быстро обучитесь работе с машиной Kenwood Cooking Chef и она станет вашим незаменимым помощником в приготовлении пищи.

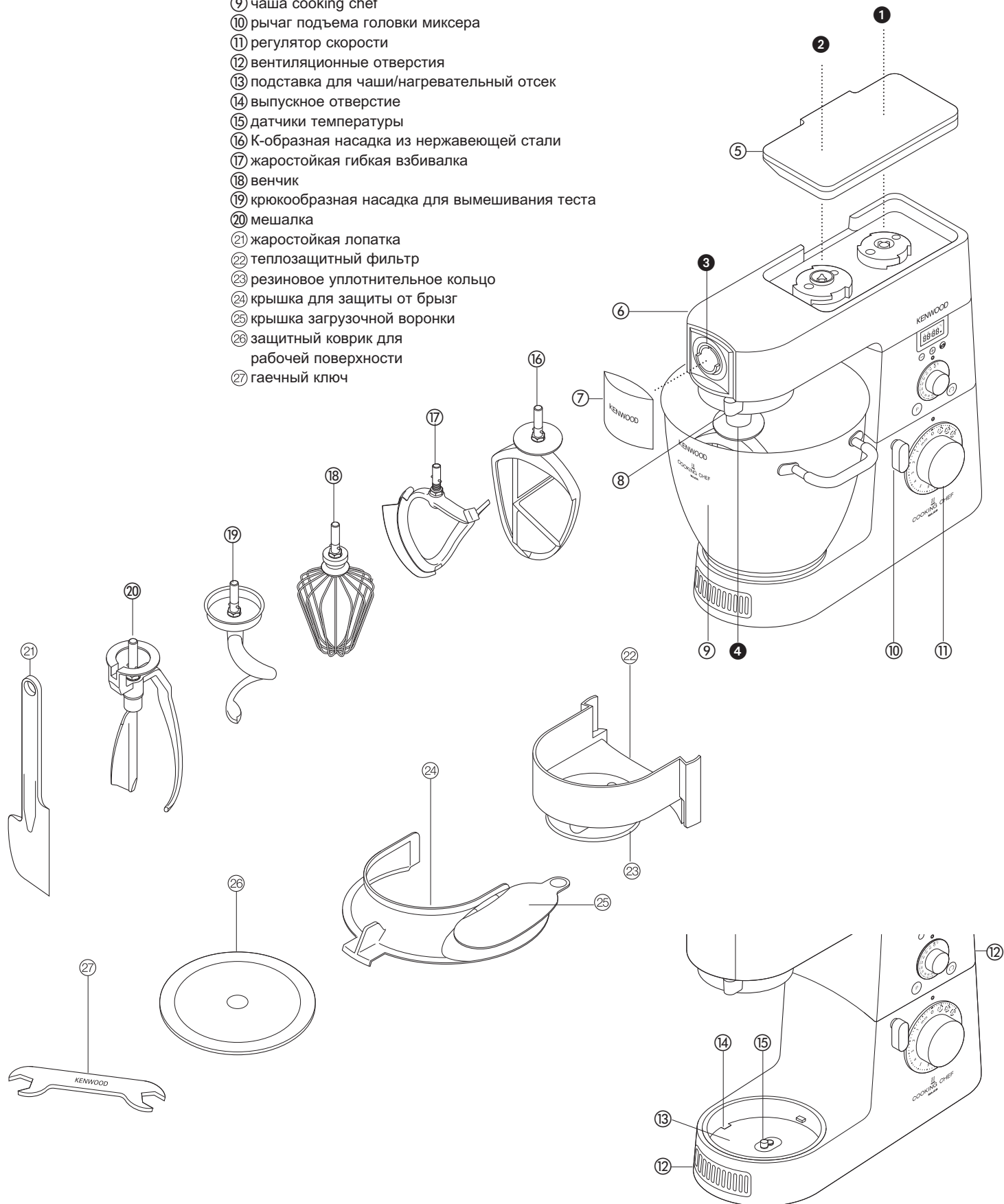
Ознакомьтесь с устройством вашего кухонного комбайна Kenwood Cooking Chef

Гнезда для крепления насадок

- 1 высокоскоростной привод
- 2 установочной адаптер со средней скоростью вращения
- 3 низкоскоростной привод
- 4 гнездо для установки насадок

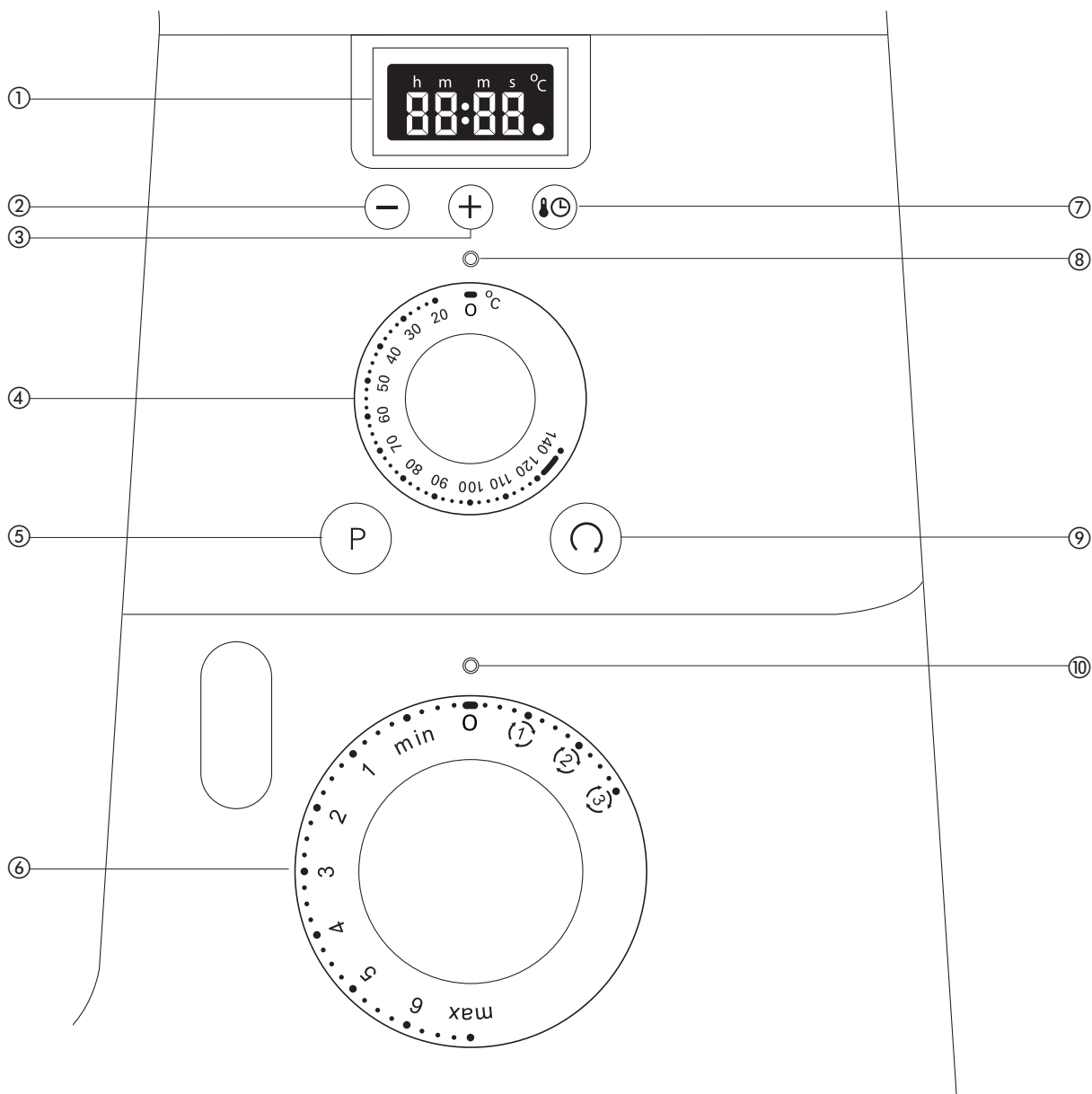
Миксер

- 5 крышка адаптера средней/высокой скорости вращения
- 6 головка миксера
- 7 крышка низкоскоростного привода
- 8 рычаг управления низкоскоростным приводом
- 9 чаша cooking chef
- 10 рычаг подъема головки миксера
- 11 регулятор скорости
- 12 вентиляционные отверстия
- 13 подставка для чаши/нагревательный отсек
- 14 выпускное отверстие
- 15 датчики температуры
- 16 К-образная насадка из нержавеющей стали
- 17 жаростойкая гибкая взбивалка
- 18 венчик
- 19 крюкообразная насадка для вымешивания теста
- 20 мешалка
- 21 жаростойкая лопатка
- 22 теплозащитный фильтр
- 23 резиновое уплотнительное кольцо
- 24 крышка для защиты от брызг
- 25 крышка загрузочной воронки
- 26 защитный коврик для рабочей поверхности
- 27 гаечный ключ



Панель управления

- ① дисплей-индикатор таймера/температуры
- ② кнопка уменьшения количества времени по таймеру
- ③ кнопка увеличения количества времени по таймеру
- ④ регулятор температуры
- ⑤ кнопка «Импульсный режим»/высокая скорость, кнопка включения жаростойкого венчика
- ⑥ регулятор скорости
- ⑦ кнопка переключения таймера/температуры
- ⑧ индикатор температуры
- ⑨ кнопка «Щадящее перемешивание»
- ⑩ индикатор регулятора скорости



Регулирование положения насадки

По вопросам сборки миксера, см. стр. 134.

венчик, К-образная насадка из нержавеющей стали, мешалка

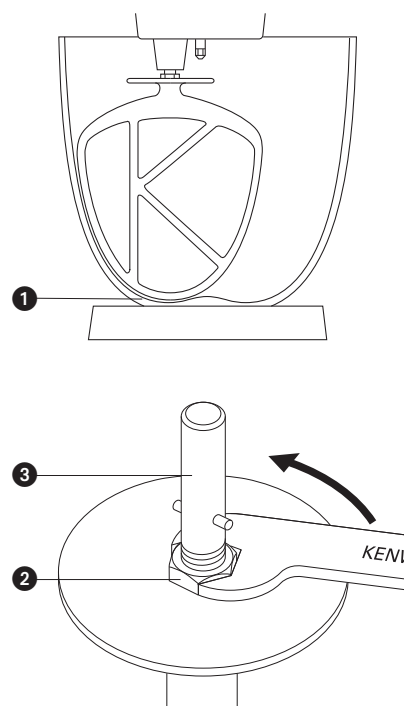
Для лучшего перемешивания, венчик, К-образная насадка и мешалка должны **почти** касаться дна чаши **1**. При необходимости вы можете отрегулировать высоту с помощью гаечного ключа, который входит в комплект прибора.

Основные этапы:

- 1 Отключите прибор от сети.
- 2 Поднимите головку миксера и вставьте венчик, взбивалку или мешалку.
- 3 Опустите головку миксера. Если необходимо отрегулировать зазор, поднимите головку миксера и снимите насадку.
- 4 С помощью гаечного ключа открутите гайку **2**, чтобы можно было регулировать положение вала **3**. Чтобы опустить насадку ближе к дну чаши, поверните вал против часовой стрелки. Чтобы приподнять насадку, поверните вал по часовой стрелке.
- 5 Закрутите гайку.
- 6 Установите насадку на место и опустите головку миксера. (Проверьте положение насадки, см. выше перечисленные пункты).
- 7 Повторяйте выше описанную процедуру до тех пор, пока насадка не будет установлена правильно. Как только насадка займет необходимое положение, тщательно закрутите гайку.

Жаростойкая гибкая взбивалка – данная насадка должна едва касаться дна чаши.

Крюкообразная насадка для вымешивания теста – положение данной насадки устанавливается производителем и не требует дальнейших переустановок.



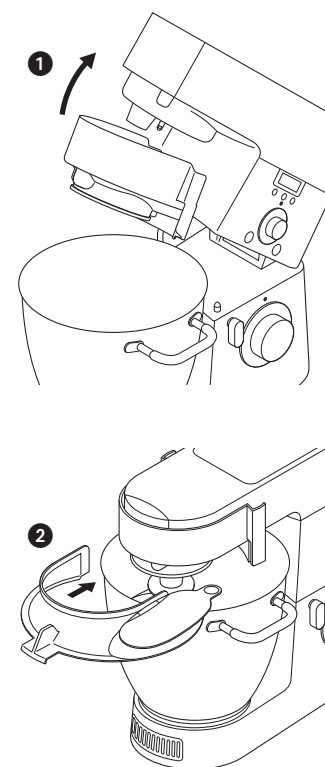
Как установить и пользоваться устройством для защиты от брызг

Устройство для защиты от брызг состоит из двух частей: теплозащитного фильтра и крышки для защиты от брызг.

Теплозащитный фильтр должен быть установлен до начала работы миксера, в противном случае прибор работать не будет, а на экране появится код ошибки E:03. Теплозащитный фильтр защищает головку миксера от пара, который образовывается в процессе работы.

При необходимости теплозащитный фильтр и крышку для защиты от брызг устанавливают на миксер, чтобы ингредиенты оставались внутри чаши, например, при перемешивании легковесных продуктов таких, как мука и сахарная пудра; также их используют для сохранения влаги внутри чаши при вымешивании определенных ингредиентов. Крышка для защиты от брызг устанавливается на миксер только в комплекте с теплозащитным фильтром.

- 1 Поднимайте головку миксера, пока не услышите щелчок.
- 2 Плотно наденьте теплозащитный фильтр на нижнюю часть головки миксера **1** и надавите для фиксации. Перед использованием теплозащитного фильтра, убедитесь, что резиновое уплотнительное кольцо было установлено правильно.
- 3 Установите чашу на подставку.
- 4 Опустите головку миксера.
- 5 Положите крышку для защиты от брызг на край чаши и затем переместите вперед до упора **2**.
- В процессе перемешивания ингредиенты добавляются непосредственно в чашу через загрузочную воронку.
- 6 Чтобы снять крышку для защиты от брызг, потяните ее на себя.
- 7 Чтобы снять теплозащитный фильтр, поднимите головку миксера до упора. Извлеките насадку, затем потяните фильтр вниз. Внимание! Разрешается устанавливать или снимать крышку для защиты от брызг только при зафиксированном положении головки миксера.



МИКСЕР

Насадки и их назначение

- К-образная взбивалка • Предназначена для приготовления тортов, печенья, кондитерских изделий, сахарной пудры, начинок, эклеров и картофельного пюре.
- венчик • Предназначен для взбивания яиц, кремов, жидкого теста, опарного теста без добавления жиров, теста для безе, творожных пирогов, муссов и суфле. Не используйте венчик для перемешивания густых смесей (например, для приготовления жирного крема или измельчения сахара). Вы можете повредить насадку.
- Крюкообразная насадка для вымешивания теста • Предназначена исключительно для вымешивания дрожжевого теста.
- жаростойкая гибкая взбивалка • Используется для выполнения большого числа операций, в том числе для приготовления заварного крема, взбивания яиц и соусов. В процессе вымешивания счищает как горячие, так и холодные смеси со стенок чаши. Также подходит для перемешивания тушеных овощей.
- мешалка • Подходит для поддержания равномерной консистенции например, при перемешивании мяса курицы, рыбы, овощей и фруктов.

Как пользоваться миксером

Перед тем, как начать пользоваться миксером убедитесь в том, что переключатели температуры и скорости установлены в положение '0'.

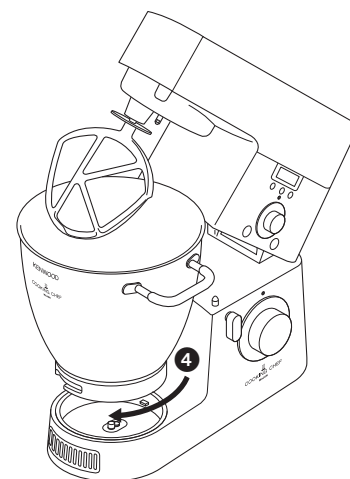
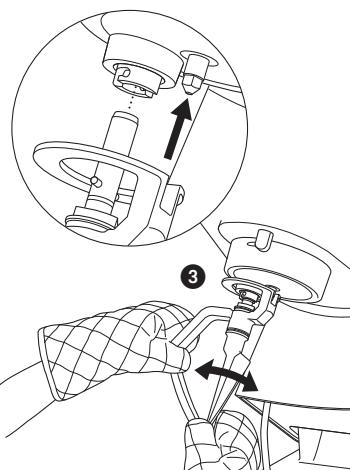
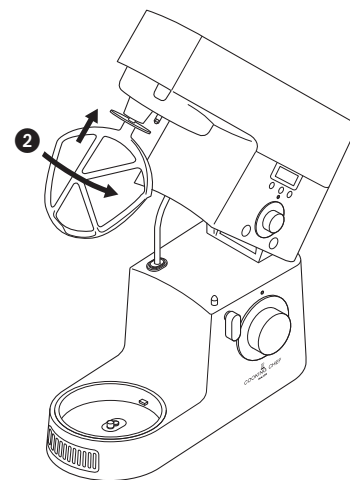
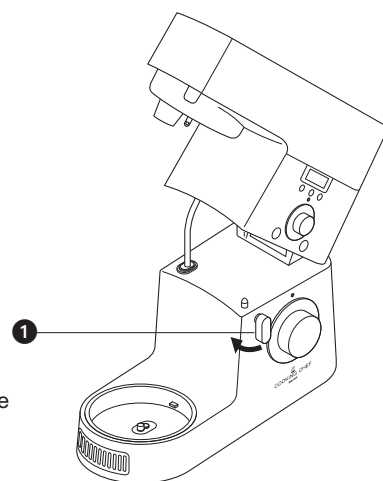
- 1 Поверните рычаг подъема головки по часовой стрелке **1** и поднимите головку миксера до упора.
- 2 Установите насадку в соответствующее гнездо, вставьте вал в паз и поверните для фиксации **2**.
- 3 Установите чашу на подставку, нажмите и поверните по часовой стрелке **4**.
- 4 Чтобы опустить головку миксера, немного приподнимите ее, а затем поверните рычаг подъема головки по часовой стрелке. Опустите в зафиксированное положение.
- 5 Повторите действия, описанные в шаге 2 в обратном порядке. (Для снятия насадок всегда используйте кухонные рукавички).
- 6 Подключите миксер к источнику питания. Загорятся и погаснут индикаторы скорости и температуры. На экране появятся цифры **88:88**, а затем погаснут, останется только индикатор источника питания **□**.
- 7 Переведите регулятор скорости в необходимое положение (см. рекомендации на стр. 135), миксер начнет работу, во время которой будет мигать индикатор скорости. При нажатии кнопок время будет изменяться с шагом в 1 сек. Положение регулятора скорости можно менять в любое время в процессе работы миксера.
- 8 Остановите миксер, переведя регулятор скорости в положение «выкл.» '0'.

Важно – если вдруг во время перемешивания головка миксера поднимется, миксер автоматически остановится и не начнет работать до тех пор, пока головка не опустится снова. Чтобы перезапустить миксер, поверните регулятор скорости в положение '0' и повторно выберите скорость.


Импульсный режим

Импульсный режим можно использовать только в том случае, если регулятор скорости переведен в положение '0'.

Чтобы выбрать импульсный режим, нажмите кнопку импульсного режима **P** и миксер будет работать на максимальной скорости, пока вы удерживаете кнопку нажатой. Если температура содержимого емкости превышает 60°C, скорость будет увеличиваться постепенно. Во время увеличения скорости вы будете слышать звуковой сигнал. Индикаторы температуры и скорости будут часто мигать.



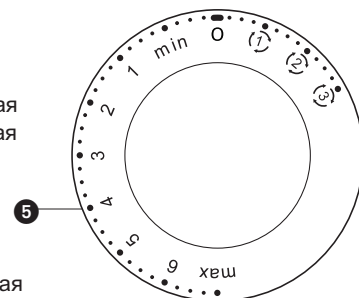
Кнопка «Щадящее перемешивание»

Нажмите и отпустите кнопку «Щадящее перемешивание» , миксер автоматически переключится на режим работы на минимальной скорости в два оборота, и остановится. Можно использовать данную кнопку для более длительной операции или нажимать несколько раз для перемешивания определенных ингредиентов. Внимание! Если вы нажмете кнопку «Щадящее перемешивание» во время работы двигателя, миксер выполнит стандартное щадящее перемешивание, а затем вернется к выбранному ранее скоростному режиму.

регулятор скорости

Ниже приведены примерные показатели скоростных режимов, но выбор того или иного режима будет зависеть от количества и температуры перемешиваемых ингредиентов.

Поворачивайте регулятор скорости по часовой стрелке, переключая режимы от 'min' («минимальная скорость») до 'max' («максимальная скорость»).



- | | |
|---|---|
| К-образная взбивалка | <ul style="list-style-type: none">• Жирный крем и сахарная пудра - начинайте с min («минимальной скорости») постепенно увеличивая до 'max' (максимальной).• Взбивание яиц до кремообразной смеси 4 - 'max' («максимальная скорость»).• Перемешивание муки, фруктов и т.д. min («минимальная скорость») - 1• Универсальное тесто для торта начинайте с min («минимальная скорость») и постепенно увеличивайте до max («максимальная скорость»).• Втирание жира в муку min («минимальная скорость») - 2. |
| Жаростойкая гибкая взбивалка | <ul style="list-style-type: none">• Жирный крем и сахарная пудра - начинайте с min («минимальной скорости») постепенно увеличивая до 3.• Снятие горячих и холодных смесей со стенок чаши начинайте с min («минимальная скорость») и постепенно увеличивайте до 3.• Тушеные овощи, перемешивание ингредиентов для ризотто и каши из кукурузной крупы, т.д., используйте (1) . |
| венчик | <ul style="list-style-type: none">• Постепенно увеличивайте до 'max' («максимальная скорость»). |
| Крюкообразная насадка для вымешивания теста | <ul style="list-style-type: none">• Начиная с 'min' («минимальная скорость») и постепенно увеличивайте до 1. |
| мешалка | <ul style="list-style-type: none">• Использовать только в соответствии с настройками для вымешивания (1), (2), (3) . |

Настройки для вымешивания

Для того, чтобы выбрать необходимые настройки для вымешивания, поверните регулятор скорости против часовой стрелки. Наиболее часто эти режимы используются, если миксер работает в режиме приготовления пиццы. Важно! Прежде, чем перейти к скорости вымешивания, установите все крышки на место.

- (1) – Используйте данный режим, если необходима постоянная медленная скорость, например для вымешивания соусов.
- (2) – Если регулятор скорости переведен в данное положение, миксер будет работать с остановками примерно каждые 5 секунд на медленной скорости в два оборота.
- (3) – Если регулятор скорости переведен в данное положение, миксер будет работать с остановками примерно каждые 30 секунд на медленной скорости, используется для приготовления смеси для запеканки и т.д.

Чтобы отключить данный режим, переведите регулятор скорости в положение «выкл.» '0'.

Внимание!

- При выборе того или иного режима скорости, будет мигать индикатор скорости.
- В процессе работы прибор издает характерный высокий звук. Это - нормальное явление.

ИСПОЛЬЗОВАНИЕ МИКСЕРА ДЛЯ ПРИГОТОВЛЕНИЯ ПИЩИ

ВАЖНО

- Убедитесь в чистоте нагревательного отсека, датчиков температуры и внешней поверхности основания емкости. В противном случае грязь может повлиять на показания датчика температуры и ухудшить качество работы машины.
- Убедитесь в том, что все крышки, включая теплозащитный фильтр, установлены. В противном случае, функция нагрева не будет работать.
- Для того чтобы снять емкость и инструменты после приготовления пищи надевайте кухонные рукавички.

1 Соберите миксер по инструкции на стр.134.

2 Установите регулятор температуры в нужное вам положение.

• **Нагрев не начнется до тех пор, пока вы не выберете скорость.**

3 Установите регулятор скорости в нужное вам положение; включится двигатель и нагревательный элемент. Оба индикатора начнут мигать.

4 Когда установленная температура будет достигнута, индикатор температуры станет гореть непрерывно. Однако, если во время приготовления температура изменится, индикатор снова начнет мигать, тем самым указывая на то, что миксер пытается поддерживать установленную температуру (см. введение на стр. 129).

• Если температура емкости превышает 60°C, скорость ограничивается автоматически в целях безопасности, даже если задано более высокое значение. Скорость не будет повышаться автоматически даже когда температура опустится ниже 60°C. В этом случае следует выключить регулятор скорости, а затем заново выбрать желаемую скорость.

• Внимание! С каждым нажатием кнопки выбора таймера/температуры, на экране будет попеременно отображаться таймер и температура емкости.

5 Для того, чтобы приостановить или прервать процесс смешивания и нагревания, снова выключите регулятор скорости, установив его в положение '0'. Чтобы продолжить операцию, выберите скорость.

советы

- **При приготовлении некоторых блюд, в особенности содержащих много воды, вы не сможете добиться температуры приготовления выше 100°C (так как эта температура является точкой кипения воды).**
- Добавляя в емкость ингредиенты во время приготовления, снижайте скорость смешивания и добавляйте ингредиенты медленно и равномерно.
- Для быстрого нагрева соусов, используйте установку с постоянным помешиванием (☺).
- Вероятно, вы заметите, что использование различных инструментов для соответствующих целей во время приготовления пищи помогает добиться лучших результатов, например, использование жаростойкой гибкой взбивалки для обжаривания овощей, а затем – мешалки для приготовления мяса или птицы.
- Если вы используете защитное приспособление, всегда снимайте его, прежде чем поднимать головку миксера. Не забывайте о том, что на защитном приспособлении и теплозащитном фильтре накапливается конденсат.
- Поднимая головку миксера, делайте это медленно, чтобы жидкость, которая могла скопиться на обратной стороне теплозащитного фильтра, могла стечь обратно в чашу.
- На ваш выбор представлены три функции смешивания, что позволяет вам выбрать подходящий режим смешивания для конкретного рецепта. Некоторые рецепты требуют постоянного помешивания, во избежание прилипания ингредиентов ко дну емкости, в том время, как для других рецептов лучше подходит периодическое помешивание для поддержания консистенции продуктов.
- Для оптимальной производительности отрегулируйте высоту инструментов, см. стр. 133.
- Максимальное время приготовления пищи –равняется 3 часам, после чего миксер выключится автоматически.
- Вы можете нагревать продукты, не устанавливая инструмент, однако вы должны выбрать нужную скорость. Эта функция может пригодиться для растапливания продуктов, например, масла или шоколада.
- С каждым нажатием кнопки выбора таймера/температуры, на экране будет попеременно отображаться время приготовления пищи и температура, достигнутая на данный момент.

Высокая скорость, высокая температура, управление венчиком

Для того чтобы взбивать венчиком при температуре выше 60°C, установите регулятор скорости в нужное вам положение, а затем нажмите и удерживайте кнопку импульсного режима. Во время увеличения скорости вы будете слышать звуковой сигнал. Индикаторы температуры и скорости будут часто мигать. Скорость взбивания постепенно повысится до установленного вами значения.

Повторите процедуру, чтобы повысить скорость еще сильнее. Для того чтобы снизить скорость взбивания венчиком или выключить миксер, выполните обычную процедуру.

Эту функцию можно использовать ТОЛЬКО при взбивании венчиком. Не превышайте максимальный допустимый объем продукции – 3 литра и не забывайте устанавливать защитное приспособление. Не оставляйте включенную машину без присмотра.

после приготовления

- Соблюдайте осторожность, дотрагиваясь до любой из частей миксера во время работы в режиме приготовления или сразу после него. Особенно это касается ЕМКОСТИ, ЗАЩИТНОГО ПРИСПОСОБЛЕНИЯ И ИНСТРУМЕНТОВ, т.к. они остаются ГОРЯЧИМИ длительное время после выключения прибора. Для снятия и переноски емкости используйте ручки. Дотрагиваясь до горячей емкости или насадок, надевайте кухонные рукавички.
- Дно емкости остается горячим длительное время после прекращения нагрева. Соблюдайте осторожность и используйте прилагающиеся к прибору коврики для защиты нетермостойких рабочих поверхностей.

дисплей




В целях вашей безопасности миксер оборудован 5 отдельными датчиками безопасности, которые включаются тогда, когда миксер работает в режиме приготовления. Если при включении миксера активируется датчик безопасности, на дисплее для отображения времени/температуры появится сообщение об ошибке, например 'E:01'. Это будет сопровождаться звуковым сигналом и миксер не включится. Проверьте машину на наличие следующих ошибок:-

Сообщение об ошибке	Описание	Решение
E:01	Головка машины находится в поднятом положении. Когда головка поднята, датчик безопасности отключает двигатель и нагреватель. Если регулятор скорости установлен в любое положение, кроме 'O' при подъеме головки, отображается это сообщение и двигатель не включается.	Закройте головку. Поверните регулятор скорости в положение 'O' а затем снова выберите нужную скорость.
E:02	Емкость Cooking Chef не установлена. Нагреватель будет работать только в том случае, если емкость установлена. Емкость также должна быть правильно установлена. Датчик проверяет, правильная ли емкость установлена, и установлена ли она верно.	Проверьте, установили ли вы емкость из комплекта Cooking Chef. Проверьте правильность установки емкости. Поверните регулятор скорости в положение 'O' а затем снова выберите нужную скорость.
E:03	Теплозащитный фильтр не установлен. Функция нагрева будет отключена, если теплозащитный фильтр установлен неверно.	Правильно установите теплозащитный фильтр. Поверните регулятор скорости в положение 'O' а затем снова выберите нужную скорость.
E:04	Низкоскоростной привод и высокоскоростной привод/адаптер со средней скоростью вращения не накрыты крышкой. Крышки снабжены датчиками безопасности. Если крышки установлены неверно, нагреватель выключается, а при включении функции помешивания двигатель будет вращаться непрерывно. Скорость перемешивания изменяться не будет.	Проверьте правильность установки всех крышек. Поверните регулятор скорости в положение 'O' а затем снова выберите нужную скорость.
E:09	Проблема с датчиком температуры. Если датчик температуры обнаружит температуру выше, чем ожидается при нормальном использовании, нагреватель и двигатель будут автоматически выключены.	Поверните регулятор скорости в положение 'O', выньте вилку шнура питания машины из розетки и дайте машине остынуть. Проверьте чистоту основания емкости и датчика температуры. Вставьте вилку в розетку и включите машину.
E:10	Проблема с двигателем или перегрев. Если двигатель останавливается или перегревается, система безопасности автоматически выключает двигатель и нагреватель.	Поверните регулятор скорости в положение 'O', а затем выньте вилку шнура питания из розетки. Устраните препятствие, которое блокирует двигатель. Проверьте, не забились ли вентиляционные отверстия. Вставьте вилку в розетку и включите машину.

Если эти или другие коды ошибок продолжают появляться на экране, обратитесь в службу Kenwood.

Использование таймера обратного отсчета

Таймер можно использовать как в режиме приготовления пищи, так и вне этого режима. Если время не установлено, то таймер будет отсчитывать его с интервалом в 1 секунду после включения миксера. Максимальное время работы составляет 3 часа.

- 1 Подключите миксер к источнику питания. На экране на короткое время появится символ . Затем этот символ исчезнет и на экране останется только символ питания .
- 2 Нажмите кнопку «+» или «-». На экране появится индикация «0:00».
- 3 Нажимайте кнопки «+» или «-» для выбора времени. При нажатии кнопок время будет изменяться с шагом в 5 сек. Если вы нажмете и будете удерживать одну из этих кнопок, цифры будут меняться быстрее (с ускорением). Максимальное время, которое можно установить, составляет 3 часа. Внимание! При нажатии кнопки «+», когда таймер показывает время «3:00», таймер сбросится на 0. При нажатии кнопки «-», когда таймер показывает время «0:00», на экране появится время «3:00».
- 4 Установите нужную скорость, миксер начнет работать, а таймер будет отсчитывать по 1 секунде.
 - Приостановить работу миксера можно в любой момент, переведя регулятор скорости в положение '0'. Таймер также приостановится. После повторного запуска миксера таймер продолжит отсчет.
- 5 Процесс перемешивания автоматически остановится, когда истечет установленное время. В течение 3 секунд будет звучать сигнал. Экран будет мигать в течение 5 секунд. Затем на нем отобразится индикатор питания .

Сброс таймера

- 1 Сбросить таймер можно путем одновременного нажатия кнопок «+» и «-» (регулятор скорости должен находиться в положении '0').
 - Если машина находилась в режиме паузы в течение 10 минут, экран и подсветка перейдут в «режим сна» и экран выключится. Чтобы вывести экран и индикаторы из режима сна, поверните какой-нибудь регулятор.

Максимальная норма загрузки

Песочное тесто	• Масса муки: 910 г
Крутое дрожжевое тесто	• Масса муки: 1,5 кг
	• Общий вес: 2,4 кг
Слабое дрожжевое тесто	• Масса муки: 2,6 кг
	• Общий вес: 5 кг
Смесь для фруктового пирога	• Общий вес: 4,55 кг
Яичный белок	• 16
Режим приготовления	• 3 литра

- Общие советы
- Часто делайте перерывы в работе миксера и отскребайте тесто от дна емкости.
 - Для взбивания лучше всего использовать яйца комнатной температуры.
 - Прежде, чем взбивать белки, убедитесь, что на венчике и в емкости нет жира или скорлупы.
 - Для приготовления теста используйте холодные ингредиенты, если в рецепте не указано иное.

Советы по приготовлению хлеба

- важно
- Никогда не превышайте указанные нормы загрузки.
 - Если вы слышите, что насадка с трудом справляется с перемешиванием, выключите машину, извлеките половину теста, и вымешайте каждую половину в отдельности.
 - Ингредиенты лучше перемешиваются, если добавить жидкость первой.

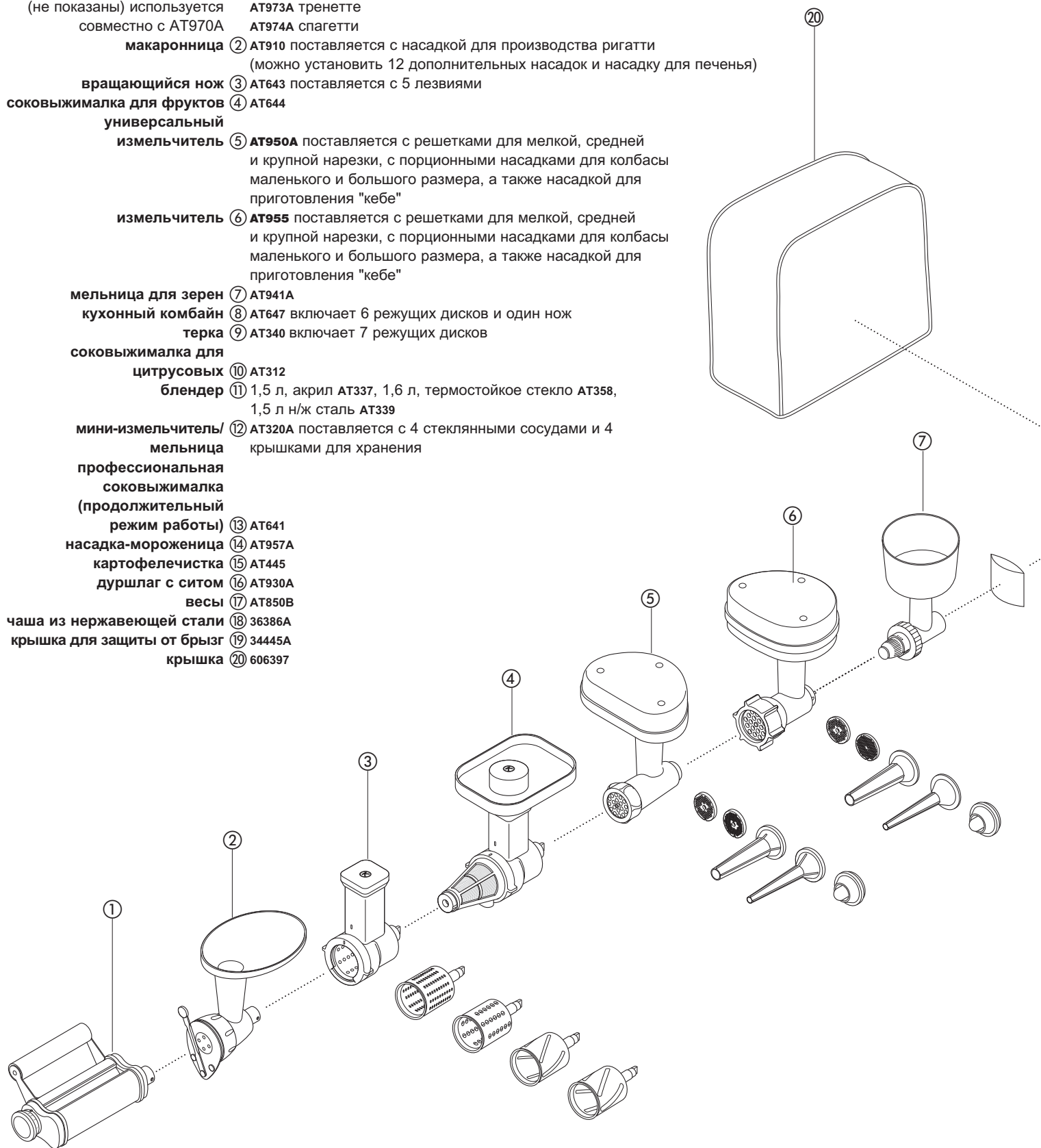
Устранение неисправностей во время приготовления

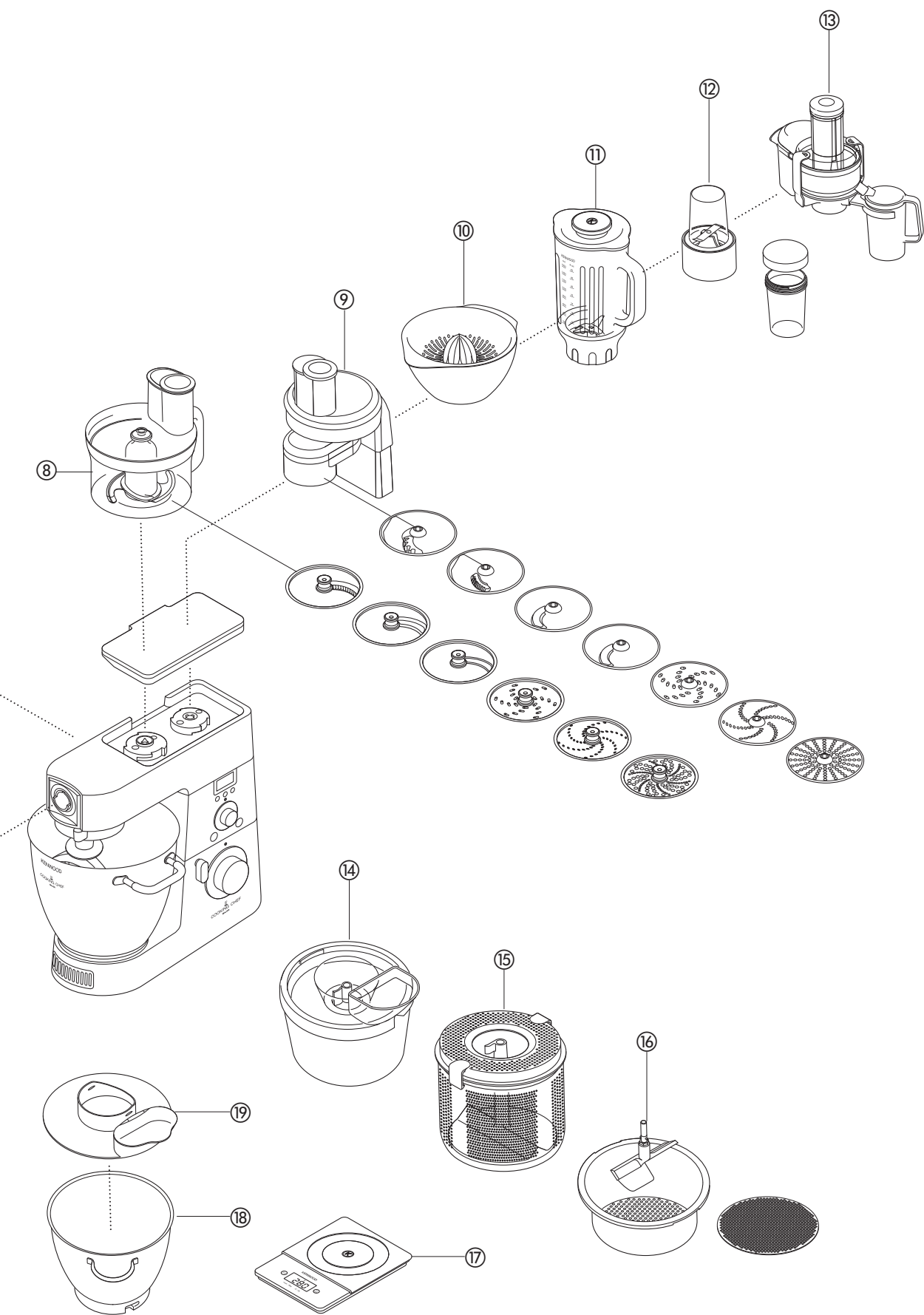
Проблема	Причина	Решение
Миксер не работает в режиме нагрева, отображается сообщение об ошибке и звучит предупредительный сигнал.	Отключен один из датчиков безопасности	См. таблицу с сообщениями об ошибках на стр. 137. <ul style="list-style-type: none"> Опустите и заблокируйте головку. Правильно установите крышки приводов. Правильно установите теплозащитный фильтр. Правильно установите емкость из комплекта.
Температура выбрана, но содержимое емкости не нагревается (индикатор температуры не светится).	Скорость не выбрана.	Выберите скорость.
Миксер изменяет скорость помешивания в процесс приготовления.	Скорость автоматически ограничивается, когда температура достигает значения 60°C.	Это является функцией безопасности.
Пицца пригорает к основанию емкости.	<ol style="list-style-type: none"> 1 Выбрано слишком высокое значение температуры. 2 Используется неправильный инструмент. 3 Слишком низкая скорость помешивания. 4 Инструмент недостаточно опущен в емкость. 5 Установлен слишком длительный период времени на таймере. 6 Загрязнен датчик и/или основание емкости. 	<ol style="list-style-type: none"> 1 Уменьшите температуру с помощью регулятора. 2 Проверьте, используется ли подходящая насадка. 3 Увеличьте скорость помешивания, или переключитесь на непрерывное вращение. 4 Отрегулируйте насадку. 5 Уменьшите время приготовления (однако пицца должна пройти достаточную термообработку). 6 Почистите и высушите эти участки.
Консистенция не поддерживается.	<ol style="list-style-type: none"> 1 Выбрана слишком высокая температура. 2 Слишком высокая скорость помешивания. 3 Ингредиенты готовятся слишком долго. 4 Используется неправильный инструмент. 	<ol style="list-style-type: none"> 1 Уменьшите температуру. 2 Уменьшите скорость помешивания. 3 Уменьшите время приготовления (однако пицца должна пройти достаточную термообработку). 4 Проверьте, используется ли подходящая насадка.
Неравномерная скорость перемешивания.	<ol style="list-style-type: none"> 1 Слишком большие или жесткие куски. 	<ol style="list-style-type: none"> 1 Нарежьте продукты на мелкие кусочки, выньте косточки из фруктов, слегка растопите ингредиенты, не опуская насадку в емкость (однако скорость должна быть выбрана). 2 Добавьте ингредиент после опускания головки. 3 Проверьте, используется ли подходящая насадка.
Холодные ингредиенты добавлены к горячей смеси, но температура на дисплее не изменяется достаточно быстро.	Если содержимое емкости плохо перемешивается, то ингредиенты будут иметь разную температуру.	<ol style="list-style-type: none"> 1 Дайте ингредиентам хорошо перемешаться. 2 Увеличьте скорость вращения.
Трудно опустить головку миксера в емкость с пищей.	Твердые ингредиенты, например, шоколад на дне емкости, не дают головке миксера заблокироваться.	Добавьте ингредиент после опускания головки.
Миксер вращается непрерывно в режиме помешивания (2) или (3).	Крышки приводов установлены неверно.	Правильно установите крышки приводов.
Ограниченная скорость вращения мотора при использовании насадок.	Установлена горячая емкость.	Снимите емкость или охладите ее до температуры ниже 60°C.

Насадки, которые можно приобрести отдельно

Чтобы приобрести насадку, которая не входит в комплект поставки, см. информацию в разделе "Обслуживание покупателей"

приспособления	код приспособления
Плоская макаронница	① АТ970А
Дополнительные насадки для макаронных изделий (не показаны) используется совместно с АТ970А	АТ971А - тальятелли АТ972А тальолини АТ973А тренетте АТ974А спагетти
макаронница	② АТ910 поставляется с насадкой для производства ригатти (можно установить 12 дополнительных насадок и насадку для печенья)
вращающийся нож	③ АТ643 поставляется с 5 лезвиями
соковыжималка для фруктов	④ АТ644
универсальный измельчитель	⑤ АТ950А поставляется с решетками для мелкой, средней и крупной нарезки, с порционными насадками для колбасы маленького и большого размера, а также насадкой для приготовления "кебе"
измельчитель	⑥ АТ955 поставляется с решетками для мелкой, средней и крупной нарезки, с порционными насадками для колбасы маленького и большого размера, а также насадкой для приготовления "кебе"
мельница для зерен	⑦ АТ941А
кухонный комбайн	⑧ АТ647 включает 6 режущих дисков и один нож
терка	⑨ АТ340 включает 7 режущих дисков
соковыжималка для цитрусовых	⑩ АТ312
блендер	⑪ 1,5 л, акрил АТ337, 1,6 л, термостойкое стекло АТ358, 1,5 л н/ж сталь АТ339
мини-измельчитель/мельница	⑫ АТ320А поставляется с 4 стеклянными сосудами и 4 крышками для хранения
профессиональная соковыжималка (продолжительный режим работы)	⑬ АТ641
насадка-мороженица	⑭ АТ957А
картофелечистка	⑮ АТ445
дуршлаг с ситом	⑯ АТ930А
весы	⑰ АТ850В
чаша из нержавеющей стали	⑱ 36386А
крышка для защиты от брызг	⑲ 34445А
крышка	⑳ 606397

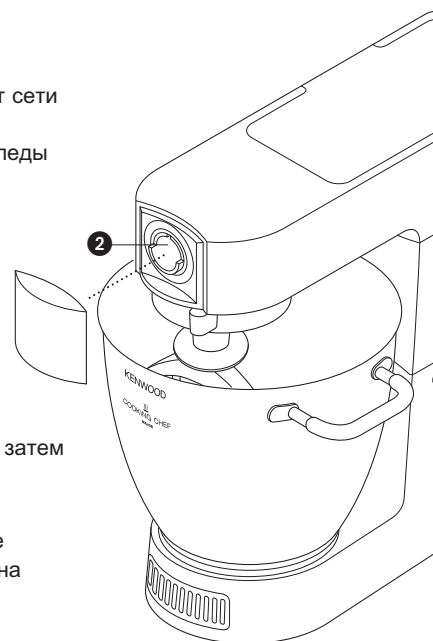




Очистка и обслуживание

Уход и очистка

- Перед чисткой всегда выключайте машину и отключайте ее от сети питания.
- При первом использовании на **приводе 2** могут появиться следы смазки. Это нормально – просто вытрите смазку.
- При нормальном использовании металлические поверхности датчика температуры могут изнашиваться. Это не влияет на нормальную работу машины.
- Не оставляйте жаростойкую гибкую взбивалку в миксере, если вы им не пользуетесь.



- Прибор, крышки приводов
- Протереть влажной тряпкой, высушить.
 - Не использовать абразивы и не погружать в воду.
- Жаростойкая гибкая взбивалка
- Всегда снимайте гибкий скребок с насадки перед чисткой.
 - Помойте гибкий скребок и насадку в горячей мыльной воде, а затем тщательно просушите. Кроме того, эти детали можно мыть в посудомоечной машине.

Внимание: перед и после использования проверьте состояние корпуса инструмента. Регулярно проверяйте ножи сбивалки на предмет износа.

- Емкость, насадки, защитные приспособления
- Помыть руками, тщательно высушить или вымыть в посудомоечной машине.
 - Не используйте проволочную щетку, металлическую мочалку или отбеливатель для чистки емкости из нержавеющей стали. Для удаления известкового налета используйте уксус или соответствующее чистящее средство.
 - Если к внутренней части емкости прилипла пицца, удалите как можно больше пригара с помощью лопатки, входящей в комплект поставки. Заполните емкость теплой мыльной водой и дайте постоять. С помощью нейлоновой щетки очистите пригар.
 - Обесцвечивание поверхности емкости не повлияет на производительность.

- Выпускное отверстие
- Следите, чтобы в отверстии не скапливалась пицца. При необходимости почистите отверстие трубоочистителем или ватным тампоном.

- Температурный датчик
- Протереть влажной тряпкой, высушить. Не используйте абразивные или острые инструменты для чистки датчиков.

Обслуживание и забота о покупателях

- При повреждении шнура в целях безопасности он должен быть заменен в представительстве компании или в специализированной мастерской по ремонту агрегатов Kenwood.

Если вам нужна помощь в:

- пользовании прибором или
 - техобслуживании или ремонте
- Обратитесь в магазин, в котором вы приобрели прибор.

- Спроектировано и разработано компанией Kenwood, Соединенное Королевство.
- Сделано в Китае.



**ВАЖНАЯ ИНФОРМАЦИЯ ПО ПРАВИЛЬНОЙ УТИЛИЗАЦИИ
ИЗДЕЛИЯ СОГЛАСНО ДИРЕКТИВЕ ЕС 2002/96/ЕС.**

По истечении срока службы изделие нельзя выбрасывать как бытовые (городские) отходы.

Изделие следует передать в специальный коммунальный пункт раздельного сбора отходов местное учреждение или в предприятие, оказывающее подобные услуги. Отдельная утилизация бытовых приборов позволяет предотвратить возможные негативные последствия для окружающей среды и здоровья, которыми чревата ненадлежащая утилизация, и позволяет восстановить материалы, входящие в составе изделий, обеспечивая значительную экономию энергии и ресурсов. В качестве напоминания о необходимости отдельной утилизации бытовых приборов на изделие нанесен знак в виде перечеркнутого мусорного бака на колесах.

Рецепты

Необходимые рекомендации по выпечке хлеба находятся на стр. 138.

Белый хлеб *крутое дрожжевое тесто*

- ингредиенты
- 1,36 кг (3 фунта) обычной муки с сильной клейковиной
 - 15 мл (3 чайных ложки) соли
 - 25 г (1 унция) свежих дрожжей; или 15 г/20 мл (1 2 унции) сухих дрожжей + 5 мл (1 чайная ложка) сахара
 - 750 мл (11 4 пинты) теплой воды: 43°C (110°F). Используйте термометр или добавьте 250 мл (9 жидких унций) кипятка в 500 мл (18 жидких унций) холодной воды
 - 25 г (1 унция) сала (жира)

- Способ приготовления
- 1 **сухие дрожжи** (тип дрожжей, которые необходимо разбавить до нужной консистенции): налейте теплую воду в чашу. Затем добавьте дрожжи и сахар, и отставьте примерно на 10 минут до появления пены.
Свежие дрожжи: покрошите в муку.
другие типы дрожжей: выполняйте инструкции производителя.
 - 2 Налейте жидкость в чашу. Затем добавьте муку (перемешанную с дрожжами, если они применяются, соль и сало (жир)).
 - 3 Вымешивайте на минимальной скорости в течение 45 - 60 секунд. Затем переведите регулятор скорости в положение 1, добавьте еще муки при необходимости и перемешивайте до консистенции теста.
 - 4 Перемешивайте в течение еще 3 - 4 минут на скорости 1, пока тесто не станет однородным, эластичным и не будет прилипать к стенкам чаши.
 - 5 Положите тесто в смазанный жиром полиэтиленовый пакет или в чашу, накрытую полотенцем. Затем поставьте в теплое место, чтобы тесто увеличилось в размерах в два раза.
 - 6 Снова перемешайте в течение 2 минут на скорости 1.
 - 7 Заполните смазанные жиром четыре 450 граммовых (1 фунт) формы для выпечки наполовину тестом, или скатайте булочки.
Затем накройте кухонным полотенцем и положите в теплое место, чтобы объем теста увеличился вдвое.
 - 8 Выпекайте при 230°C/450°F/положение 8 регулятора духовки в течение 30 - 35 минут, чтобы испечь *батоны или 10 – 15 минут - для булочек*.
- Готовый хлеб издает при постукивании по нижней корочке «пустой» звук.

Белый хлеб *слабое дрожжевое тесто*

- ингредиенты
- 2,6 кг (5 фунтов 12 унций) обычной муки
 - 1,3 литра (21 4 пинты) молока
 - 300 г (10 унций) сахара
 - 450 г (1 фунт) маргарина
 - 100 г (4 унции) свежих дрожжей или 50 г (2 унции) сухих дрожжей
 - 6 взбитых яиц
 - 5 щепоток соли

- Способ приготовления
- 1 Растопите маргарин в молоке и доведите смесь до температуры 43°C (110°F).
 - 2 **сухие дрожжи** (тип дрожжей, которые необходимо разбавить до нужной консистенции): затем добавьте дрожжи и сахар, и отставьте примерно на 10 минут до появления пены.
Свежие дрожжи: покрошите в муку и добавьте сахар.
другие типы дрожжей: выполняйте инструкции производителя.
 - 3 Налейте молоко в чашу. Добавьте взбитые яйца и 2 кг (4 фунтов 6 унций) муки.
 - 4 Перемешивайте на минимальной скорости в течение 1 минуты, затем еще минуту на скорости 1.
Снимите тесто со стенок чаши.
 - 5 Добавьте оставшуюся часть муки и перемешивайте на минимальной скорости в течение 1 минуты, затем еще в течение 2-3 минут на скорости 1, пока смесь не станет однородной.
 - 6 Заполните смазанные жиром четыре 450 граммовых (1 фунт) формы для выпечки наполовину тестом, или скатайте булочки.
Затем накройте кухонным полотенцем и положите в теплое место, чтобы объем теста увеличился вдвое.
 - 7 Выпекайте при 200°C/400°F/положение 6 регулятора духовки в течение 20 - 25 минут, чтобы испечь *батоны или 10 – 15 минут - для булочек*.
 - 8 Готовый хлеб издает при постукивании по нижней корочке «пустой» звук.
- Рецепт рассчитан на 10 батонов.

Рецепты (продолжение)

Торт с клубникой и абрикосами

- Ингредиенты: тесто
- 3 яйца
 - 75 г (3 унции) сахарной пудры
 - 75 г (3 унции) обычной муки
- Начинка и украшение
- 150 мл (1 4 пинты) двойных сливок
 - Сахар по вкусу
 - 225 г (8 унций) ягод клубники
 - 225 г (8 унций) абрикосов
- Способ приготовления
- 1 Разделите абрикосы пополам и удалите косточки. Варите на слабом огне с небольшим количеством воды, пока ягоды не станут мягкими. Добавьте сахар по вкусу.
 - 2 Помойте и разрежьте пополам ягоды клубники.
 - 3 Для приготовления теста взбейте яйца и сахар на максимальной скорости до получения густой светлой смеси.
 - 4 Извлеките чашу и венчик. Добавьте муку и тщательно перемешайте вручную с помощью большой металлической ложки. Будьте осторожны – избыток муки сделает опару слишком густой.
 - 5 Положите тесто в две смазанные жиром 18 см формы для выпечки.
 - 6 Выпекайте при 180°C/350°F/регулятор духовки в положении 4 в течение примерно 20 минут, пока тесто не станет упругим при нажатии.
 - 7 Выложите тесто на решетку.
 - 8 Взбейте сливки на максимальной скорости до получения густой пены. Добавьте сахар по вкусу.
 - 9 Крупно порежьте абрикосы и треть клубники. Добавьте фрукты к половине приготовленного крема.
 - 10 Распределите смесь на первом корже, а затем положите сверху второй.
 - 11 Распределите оставшийся крем на поверхности торта и украсьте ягодами клубники.

Безе

- ингредиенты
- 4 яичных белка
 - 250 г (9 унций) сахарной пудры, просеять
 - Постелите на противень пищевую непрлипающий пергамент.
- Способ приготовления
- 1 Взбивайте яичные белки и сахар на максимальной скорости в течение 10 минут до получения стойкой пены.
 - 2 Выложите ложкой смесь на противень (или используйте кулинарный мешочек размером 2,5 см (1") со звездообразным носиком).
 - 3 Выпекайте при 110°C/225°F/регулятор духовки в положении 1 4 в течение 4-5 минут. Пирожные безе должны затвердеть и стать хрустящими. При появлении коричневого оттенка, приоткройте дверцу духовки.
 - Храните пирожные в герметичной таре.

Песочное тесто

- ингредиенты
- 450 г (1 фунт) муки, просеять солью
 - 5 мл (1 чайная ложка) соли
 - 225 г (8 унций) жира (смешайте охлажденное сало и маргарин)
 - Примерно 80 мл (4 столовых ложки) воды
 - Не перемешивайте тесто слишком долго
- советы
- 1 Насыпьте муку в чашу. Нарежьте жир крупными кубиками и добавьте в муку.
- Способ приготовления
- 2 С помощью К-образной насадки перемешивайте на скорости 1 до получения смеси, напоминающей хлебный мякиш. Прекратите перемешивание, как только тесто приобретет «сальный» вид.
 - 3 Добавьте воду и перемешайте на минимальной скорости. Остановите процесс, как только тесто впитает воду.
 - 4 Выпекайте при 200°C/400°F/регулятор духовки в положении 6, в зависимости от начинки.

Маринад из перцев чили

- Ингредиенты
- 200 г (7 унций) охлажденного жидкого меда (поставить на ночь в холодильник)
 - 1 зеленый перец чили (целый)
 - 5 мл (1 чайная ложка) арахисового масла с кусочками арахиса
 - приправы
- Способ приготовления
- 1 Положите все ингредиенты в мини-измельчитель/мельницу.
 - 2 Установите насадку на миксер и распределите все ингредиенты вокруг ножа.
 - 3 Включите импульсный режим на 10 секунд.
 - 4 Продукт готов к употреблению.

Ελληνικά

πριν χρησιμοποιήσετε τη συσκευή Kenwood

- Διαβάστε προσεκτικά αυτές τις οδηγίες και φυλάξτε τις για μελλοντική αναφορά.
- Αφαιρέστε τη συσκευασία και τις ετικέτες.

γνωρίστε την κουζίνομηχανή Cooking Chef της Kenwood

ασφάλεια

σημαντική σημείωση – ηλεκτρονικά ιατρικά εμφυτεύματα

- Όπως όλα τα προϊόντα επαγωγικής θέρμανσης, έτσι και αυτή η συσκευή δημιουργεί μαγνητικά πεδία μικρής εμβέλειας. Αν κάποιος χρήστης ή κάποιο άλλο άτομο κοντά στη συσκευή έχει βηματοδότη ή άλλα ενεργά εμφυτεύματα, θα πρέπει, πριν από τη χρήση, να συμβουλευτείτε ιατρό σχετικά με το ενδεχόμενο ασυμβατότητας προκειμένου να μην υπάρξει κίνδυνος για την υγεία του.
- Απενεργοποιήστε τη συσκευή και βγάλτε την από την πρίζα πριν να τοποθετήσετε ή να αφαιρέσετε εξαρτήματα, μετά τη χρήση και πριν να τα καθαρίσετε.
- Διατηρείτε τα μέλη του σώματος, τα κοσμήματα και τις πτυχές των ρούχων σας μακριά από τα κινούμενα μέρη και τα αποσπώμενα εξαρτήματα.
- Μην τοποθετείτε τα δάχτυλά σας κ.λπ. στα σημεία σύνδεσης.
- Μην απομακρύνετε από τη συσκευή ενώ βρίσκεται σε λειτουργία.
- Μην χρησιμοποιείτε τη συσκευή εάν είναι χαλασμένη. Πηγαίνετε τη συσκευή για έλεγχο ή επισκευή: ανατρέξτε στην ενότητα «σέρβις και εξυπηρέτηση πελατών», σελίδα 160.
- Μην χρησιμοποιείτε μη εξουσιοδοτημένο εξάρτημα ή περισσότερα από ένα εξαρτήματα ταυτόχρονα.
- Μην υπερβαίνετε τις μέγιστες τιμές που αναφέρονται στη σελίδα 156 και μην υπερβαίνετε την ανώτατη ένδειξη χωρητικότητας 3 λίτρων που υπάρχει στο εσωτερικό του μπολ όταν χρησιμοποιείτε την επαγωγική θέρμανση.
- Όταν χρησιμοποιείτε ένα εξάρτημα, να διαβάσετε τις οδηγίες ασφάλειας και χρήσης που το συνοδεύουν.
- Να σηκώνετε τη συσκευή με προσοχή γιατί είναι βαριά. Πριν να την σηκώσετε, βεβαιωθείτε ότι η κεφαλή είναι ασφαλισμένη και ότι το μπολ, τα εξαρτήματα, τα καλύμματα των υποδοχών και το καλώδιο είναι σε ασφαλή θέση.
- Μην αφήνετε το καλώδιο να κρέμεται σε χώρο κοντά σε παιδιά.
- Μην αφήνετε να βραχεί η μονάδα τροφοδοσίας, το καλώδιο ή το βύσμα.
- Να είστε προσεκτικοί όταν χειρίζεστε ή όταν ακουμπάτε οποιοδήποτε τμήμα της συσκευής όταν χρησιμοποιείται σε λειτουργία μαγειρέματος ή μετά το μαγείρεμα, ΕΙΔΙΚΑ ΤΟ ΜΠΟΛ, ΤΟ ΠΡΟΣΤΑΤΕΥΤΙΚΟ ΓΙΑ ΤΟ ΠΙΤΣΙΛΙΣΜΑ ΚΑΙ ΤΑ ΕΞΑΡΤΗΜΑΤΑ διότι εξακολουθούν να είναι ΖΕΣΤΑ ακόμα και αφού απενεργοποιήσετε τη συσκευή. Χρησιμοποιήστε τα χερούλια για να αφαιρέσετε και να μεταφέρετε το μπολ. Χρησιμοποιήστε γάντια κουζίνας για να πιάσετε το ζεστό μπολ και τους ζεστούς αναδευτήρες.
- Το κάτω μέρος του μπολ παραμένει ζεστό αρκετή ώρα αφού έχει σταματήσει η θέρμανση. Να είστε προσεκτικοί στον χειρισμό και να χρησιμοποιείτε το προστατευτικό σουτλά όταν τοποθετείτε το μπολ σε επιφάνειες που είναι ευαίσθητες σε καυτά σκεύη.
- Φροντίζετε πάντα να μην χυθεί μίγμα από το μπολ του μίξερ ειδικά όταν ανοίγετε το καπάκι του προστατευτικού για το πιτσίλισμα ή όταν σηκώνετε την κεφαλή του μίξερ.
- Αν μεταφέρετε ζεστό φαγητό από το μίξερ στο μπλέντερ, να αφήνετε τα συστατικά να κρυώσουν σε θερμοκρασία δωματίου πριν να τα τοποθετήσετε στο μπλέντερ.
- Χρησιμοποιείτε μόνο το μπολ και τα εξαρτήματα που συνοδεύουν τη συσκευή. Μην χρησιμοποιείτε το μπολ με άλλη πηγή θερμότητας.
- Μην χρησιμοποιείτε τη συσκευή στη λειτουργία μαγειρικής όταν το μπολ είναι άδειο.
- Μην τοποθετείτε αντικείμενα στα ανοίγματα αερισμού.
- Όταν χρησιμοποιείτε τη συσκευή, φροντίζετε να είναι τοποθετημένη σε επίπεδη επιφάνεια και στο κέντρο του πάγκου εργασίας. Βεβαιωθείτε ότι απέχει τουλάχιστον 10 εκ. από τους τοίχους και ότι δεν υπάρχει εμπόδιο μπροστά στα ανοίγματα αερισμού. Μην την τοποθετείτε κάτω από κρεμαστά ντουλάπια κουζίνας.
- Για τη σωστή και ασφαλή λειτουργία της επαγωγικής κουζίνομηχανής βεβαιωθείτε ότι η βάση του μπολ και οι αισθητήρες θερμοκρασίας είναι καθαροί και στεγνοί πριν το μαγείρεμα.
- Όπως ισχύει και για όλες τις επαγωγικές συσκευές μαγειρικής δεν πρέπει να τοποθετείτε πιστωτικές κάρτες, μαγνητικά μέσα ή ευαίσθητο ηλεκτρονικό εξοπλισμό κοντά στη συσκευή όταν βρίσκεται σε λειτουργία.
- Μην χρησιμοποιείτε τη συσκευή σαν φριτζά για τηγάνισμα.
- Φροντίζετε πάντα το φαγητό να έχει μαγειρευτεί καλά πριν να το καταναλώσετε.
- Το φαγητό πρέπει να καταναλώνεται αμέσως μετά το μαγείρεμα ή να κρυώνει γρήγορα και, στη συνέχεια, να καταψύχεται το συντομότερο δυνατόν.
- Η συσκευή αυτή δεν προορίζεται για χρήση από άτομα (συμπεριλαμβανομένων των παιδιών) με περιορισμένες φυσικές, αισθητήριες ή διανοητικές ικανότητες ή έλλειψη εμπειρίας και γνώσεων, παρά μόνον εάν βρίσκονται υπό την επίβλεψη ατόμου που είναι υπεύθυνο για την ασφάλειά τους ή ακολουθούν τις οδηγίες του σχετικά με τη λειτουργία της συσκευής.
- Τα παιδιά θα πρέπει να βρίσκονται υπό παρακολούθηση, έτσι ώστε να διασφαλίζεται ότι δεν παίζουν με τη συσκευή.
- χρησιμοποιείτε τη συσκευή μόνο για την οικιακή χρήση για την οποία προορίζεται. Η Kenwood δε φέρει οποιαδήποτε ευθύνη αν η συσκευή χρησιμοποιηθεί με λανθασμένο τρόπο ή σε περίπτωση μη συμμόρφωσης με αυτές τις οδηγίες.

πριν συνδέσετε τη συσκευή στην πρίζα

- Βεβαιωθείτε ότι η παροχή ρεύματος αντιστοιχεί στις ενδείξεις που βρίσκονται στο κάτω μέρος της συσκευής.
- Αυτή η συσκευή συμμορφώνεται με την οδηγία της ΕΚ 2004/108/ΕΚ σχετικά με την Ηλεκτρομαγνητική συμβατότητα και τον κανονισμό ΕΚ υπ' αριθμόν 1935/2004 της 27/10/2004 σχετικά με τα υλικά που προορίζονται να έρθουν σε επαφή με τρόφιμα.

πριν να χρησιμοποιήσετε τη συσκευή για πρώτη φορά

Πλύνετε τα εξαρτήματα: ανατρέξτε στην ενότητα «φροντίδα και καθαριότητα», σελίδα 160.

Εισαγωγή

Σας ευχαριστούμε που αγοράσατε την κουζίνομηχανή Cooking Chef της Kenwood και ευχόμαστε να απολαύσετε τη χρήση της για πολλά χρόνια.

Η Kenwood έχει σχεδόν 60 χρόνια εμπειρίας και βαθιάς γνώσης στον σχεδιασμό κουζίνομηχανών και μεγάλης ποικιλίας εξαρτημάτων. Οι κουζίνομηχανές Chef της Kenwood είναι φημισμένες επειδή δεν αποτελούν ένα απλό μίξερ τροφίμων.

Στον σχεδιασμό της συσκευής Cooking Chef αξιοποιήσαμε ακόμα περισσότερο τη γνωστή ευελιξία της κουζίνομηχανής Chef ενσωματώνοντας τη δυνατότητα επαγωγικής μαγειρικής κάτω ακριβώς από το μπολ ανάμιξης. Μπορείτε πλέον να απολαμβάνετε όλα τα πλεονεκτήματα ενός απλού «κρύου μπολ» με πλανητική ανάδευση ενώ φτιάχνετε τα αγαπημένα σας κέικ, γλυκά και ζύμες συν το επιπλέον πλεονέκτημα θέρμανσης και μαγειρέματος απευθείας μέσα στο μπολ σε συνδυασμό με πλανητική ανάδευση. Οι δυνατότητες είναι αμέτρητες.

Η κουζίνομηχανή Cooking Chef της Kenwood με μια ποικιλία από προαιρετικά εξαρτήματα είναι πραγματικά ένα πλήρες σύστημα παρασκευής φαγητού.

Ισχυρό, αξιόπιστο, ευέλικτο, Kenwood.

Τι είναι η επαγωγική μαγειρική και πώς λειτουργεί;

Η επαγωγική μαγειρική είναι ένας προηγμένος τρόπος μαγειρέματος που χρησιμοποιεί τις αρχές της ηλεκτρομαγνητικής επαγωγής. Όταν το ηλεκτρικό ρεύμα διέρχεται μέσα από ένα χάλκινο πηνίο στην περιοχή επαγωγικής μαγειρικής δημιουργεί ένα ηλεκτρομαγνητικό πεδίο. Όταν το μπολ της κουζίνομηχανής Cooking Chef είναι ασφαλισμένο στη θέση του, το κύκλωμα ολοκληρώνεται από μια ειδική στρώση από ανοξείδωτο ατσάλι στη βάση του μπολ. Έτσι δημιουργείται στη συνέχεια μια τεράστια ποσότητα θερμικής ενέργειας που διέρχεται μέσα από το περιεχόμενο του μπολ και ζεσταίνει το φαγητό.

Η επαγωγική μαγειρική εξοικονομεί πολλή ενέργεια επειδή παράγει θερμότητα μόνο στη βάση του μπολ. Οι άλλοι τρόποι θέρμανσης όπως οι εστίες αερίου καταναλώνουν περίπου 50% της θερμικής ενέργειας γύρω από τις πλευρές του σκεύους. Στην πραγματικότητα, η περιοχή επαγωγικής μαγειρικής στη συσκευή Cooking Chef παραμένει ζεστή μόνο κατά τη διάρκεια του μαγειρέματος και λίγο μετά επειδή μεταφέρεται ξανά θερμότητα από το περιεχόμενο του μπολ. Όλα αυτά καθιστούν την επαγωγική μαγειρική πολύ αποδοτική, ασφαλή και καθαρή.

Οι λειτουργίες μαγειρέματος της συσκευής Cooking Chef της Kenwood είναι παρόμοιες με τον τρόπο μαγειρέματος με μια κατσαρόλα στην εστία της κουζίνας σας. Το επιπλέον πλεονέκτημα είναι ότι η συσκευή Chef θα ανακατέψει αυτόματα το φαγητό σας και θα ρυθμίσει τη θερμοκρασία μαγειρέματος ακριβώς όπως θέλετε, δίνοντάς σας την ελευθερία να κάνετε άνετα άλλες δουλειές στην κουζίνα.

Η συσκευή Cooking Chef χρησιμοποιεί την τεχνολογία επαγωγικής θέρμανσης, η οποία είναι πάρα πολύ αποδοτική. Αν την συγκρίνετε με το μαγείρεμα σε εστία αερίου ή σε ηλεκτρική εστία, θα ανακαλύψετε ότι ο χρόνος μαγειρέματος είναι λιγότερος ή ότι η θερμοκρασία που πρέπει να χρησιμοποιήσετε για το μαγείρεμα είναι χαμηλότερη. Αυτό είναι κάτι που πρέπει να έχετε υπόψη σας όταν χρησιμοποιείτε τη συσκευή για πρώτη φορά ή όταν δοκιμάζετε μια νέα συνταγή. Αν ξεκινήσετε να μαγειρεύετε σε υψηλή θερμοκρασία, πρέπει να προσέχετε και να μειώνετε την ένταση όταν χρειάζεται για να μην καεί το φαγητό και κολλήσει στο μπολ, όπως κάνετε και στην κατσαρόλα σας. Γενικά, η συσκευή Cooking Chef θερμαίνει το φαγητό αυτόματα στη θερμοκρασία που θέλετε στο συντομότερο δυνατό διάστημα. Έτσι δεν είναι απαραίτητο να ρυθμίζετε τη θερμοκρασία παραπάνω από όσο χρειάζεται προκειμένου να μειώσετε τον χρόνο μαγειρέματος. Σε αυτήν τη φάση πρέπει επίσης να προσέξετε τη συχνότητα της ρύθμισης ανάδευσης. Όταν μαγειρεύετε σε υψηλές θερμοκρασίες ίσως χρειάζεται να αναδεύετε συνεχώς χρησιμοποιώντας τη ρύθμιση ανάδευσης (1). Η ρύθμιση ανάδευσης είναι χρήσιμη καθώς διατηρεί (2) την (3) ομοιογένεια του φαγητού σας για μεγάλο διάστημα ενώ μαγειρεύετε σε σιγανή φωτιά.

Η επιλογή του σωστού εξαρτήματος για το μπολ είναι επίσης σημαντική σε αυτό το στάδιο. Στη συνέχεια, θα εξηγήσουμε τη χρήση για την οποία είναι κατάλληλο κάθε εξάρτημα και με την εμπειρία θα μπορείτε κι εσείς να επιλέξετε το σωστό για κάθε περίπτωση. Μαγειρεύοντας θα δείτε ότι ο εύκαμπτος αναδευτήρας υψηλής θερμοκρασίας είναι κατάλληλος για να πετύχετε απαλή υφή σε σάλτσες και κρέμες, ενώ ο γάντζος ανάδευσης ανάδευσης είναι κατάλληλος όταν μαγειρεύετε φαγητά που πρέπει να έχουν πιο συμπαγή υφή, όπως ραγού, κατσαρόλας κ.λπ. Το βιβλίο συνταγών μας προτείνει τα καλύτερα εξαρτήματα στα διάφορα στάδια της παρασκευής του φαγητού θα έχετε καλύτερα αποτελέσματα.

Κατά το μαγείρεμα και αμέσως μετά, το μπολ, το προστατευτικό για το πισίλισμα και το εξάρτημα του μπολ θα είναι πολύ ζεστά, όπως θα ήταν και η κατσαρόλα σας. Να προσέχετε όταν τα αγγίζετε. Επίσης σημαντικό είναι να θυμάστε ότι κατά τη διαδικασία του μαγειρέματος δημιουργούνται υδρατμοί και πρέπει να είστε προσεκτικοί όταν κοιτάζετε μέσα στο μπολ, όταν ανασηκώνετε το καπάκι για να προσθέσετε υλικά ή την κεφαλή της κουζίνομηχανής Cooking Chef για να δείτε το μπολ ή για να έχετε πρόσβαση σε αυτό. Πρέπει να προειδοποιήσετε όσους βρίσκονται κοντά στη συσκευή, ώστε να είναι προσεκτικοί όταν η κουζίνομηχανή μαγειρεύει ή όταν είναι ζεστή. Όταν πιάνετε ή όταν αφαιρείτε ζεστά εξαρτήματα συνιστάται να φοράτε γάντια κουζίνας και να μεταφέρετε το μπολ κρατώντας το μόνο από τα χερούλια του. Καλό είναι επίσης να χρησιμοποιήσετε το προστατευτικό σουπλά σε επιφάνειες που είναι ευαίσθητες σε καυτά σκεύη.

Όταν θερμαίνετε υγρά ή φαγητά με υψηλή περιεκτικότητα σε νερό, η ακρίβεια της ένδειξης της θερμοκρασίας είναι συνήθως +/- 5°C. Η ακρίβεια της ένδειξης οθόνης και του χειριστηρίου θερμοκρασίας ποικίλει ανάλογα με την υφή του περιεχομένου του μπολ, τον όγκο του περιεχομένου, τη συχνότητα ανάδευσης και το εξάρτημα που χρησιμοποιείται. Και σε αυτήν την περίπτωση ισχύει το ίδιο με το μαγείρεμα σε εστία, όταν, για παράδειγμα, θερμαίνεται μεγάλη ποσότητα φαγητού σε μεγάλη κατσαρόλα αλλά δεν ανακατεύεται καλά. Το φαγητό θα ζεσταθεί στη βάση της κατσαρόλας ή μπορεί ακόμα και να καεί, ενώ το φαγητό που είναι πάνω-πάνω θα είναι κρύο.

Εκτός από την οθόνη θερμοκρασίας, η συσκευή έχει και μια μικρή μπλε λυχνία. Η λυχνία αναβοσβήνει μέχρι η συσκευή να φτάσει στην επιλεγμένη θερμοκρασία. Μόλις φτάσει στην απαραίτητη θερμοκρασία, η λυχνία σταματάει να αναβοσβήνει. Ωστόσο, πρέπει να έχετε υπόψη ότι όταν προσθέτετε επιπλέον συστατικά στο μπολ, η μπλε λυχνία ξεκινάει ξανά να αναβοσβήνει καθώς η θερμοκρασία του μπολ μειώνεται από τα κρύα υλικά. Μπορεί επίσης να παρατηρήσετε ότι αναβοσβήνει αν αυξηθεί η συχνότητα ανάδευσης.

Πολύ γρήγορα θα ανακαλύψετε ότι η κουζίνομηχανή Cooking Chef της Kenwood είναι εύκολη στη χρήση και θα σας διευκολύνει στην καθημερινή παρασκευή του φαγητού σας.

γνωρίστε την κουζίνομηχανή Cooking Chef της Kenwood

υποδοχές εξαρτημάτων 1 υποδοχή υψηλής ταχύτητας

2 υποδοχή μέσης ταχύτητας

3 υποδοχή χαμηλής ταχύτητας

4 υποδοχή εξαρτήματος

το μίξερ 5 κάλυμμα υποδοχής μέσης/υψηλής ταχύτητας

6 κεφαλή μίξερ

7 κάλυμμα υποδοχής χαμηλής ταχύτητας

8 μοχλός υποδοχής χαμηλής ταχύτητας

9 μπολ cooking chef

10 μοχλός ανύψωσης κεφαλής

11 χειριστήριο ταχύτητας

12 ανοίγματα αερισμού

13 βάση του μπολ/περιοχή επαγωγής

14 σπή αποστράγγισης

15 αισθητήρες θερμοκρασίας

16 αναδευτήρας σχήματος K από ανοξείδωτο ατσάλι

17 εύκαμπτος αναδευτήρας υψηλής θερμοκρασίας

18 συρμάτινος αναδευτήρας

19 αναδευτήρας ζύμης

20 γάντζος ανάδευσης

21 σπάτουλα υψηλής θερμοκρασίας

22 προστατευτικό θερμότητας

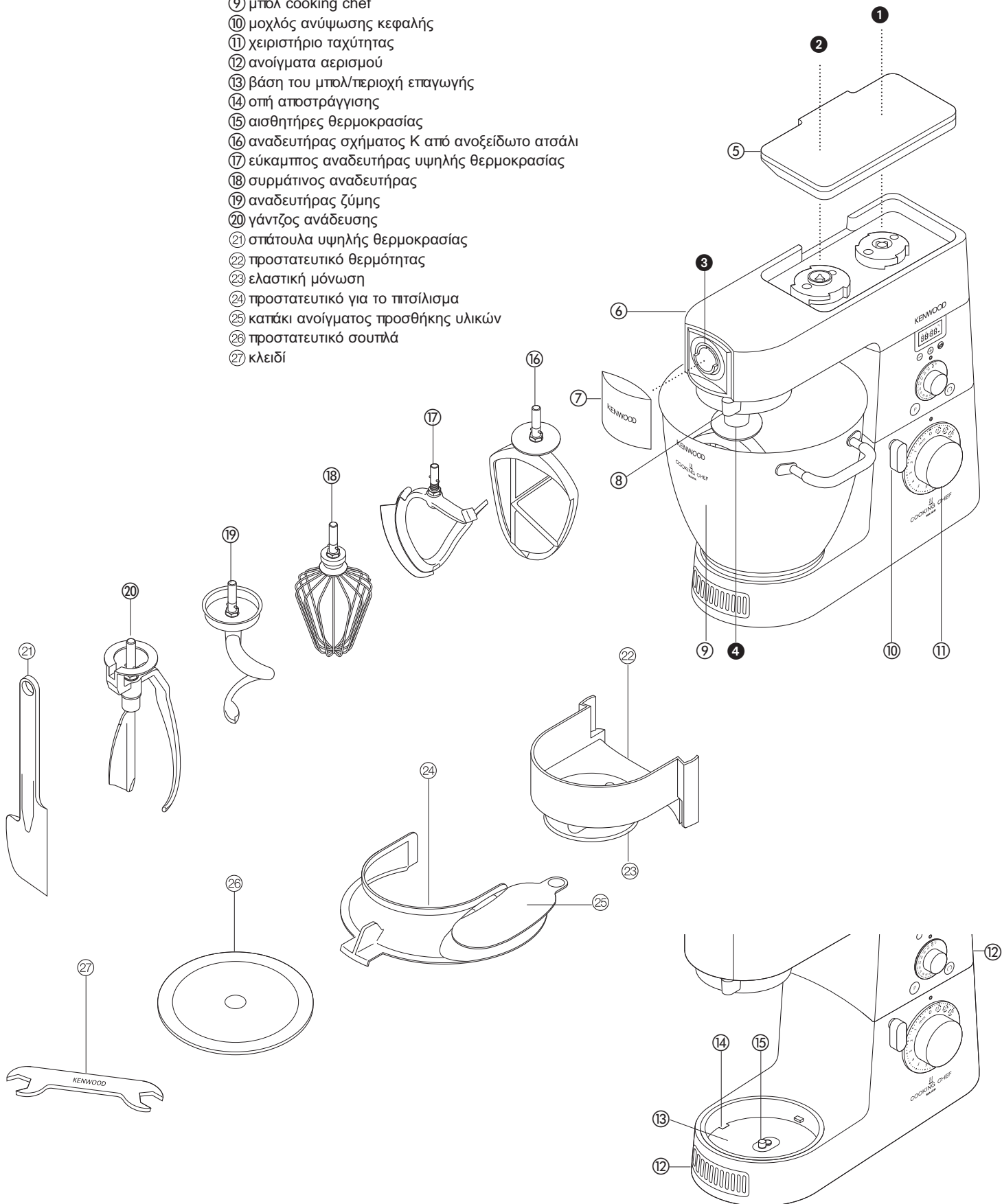
23 ελαστική μόνωση

24 προστατευτικό για το πιτσίσιαμα

25 καπάκι ανοίγματος προσθήκης υλικών

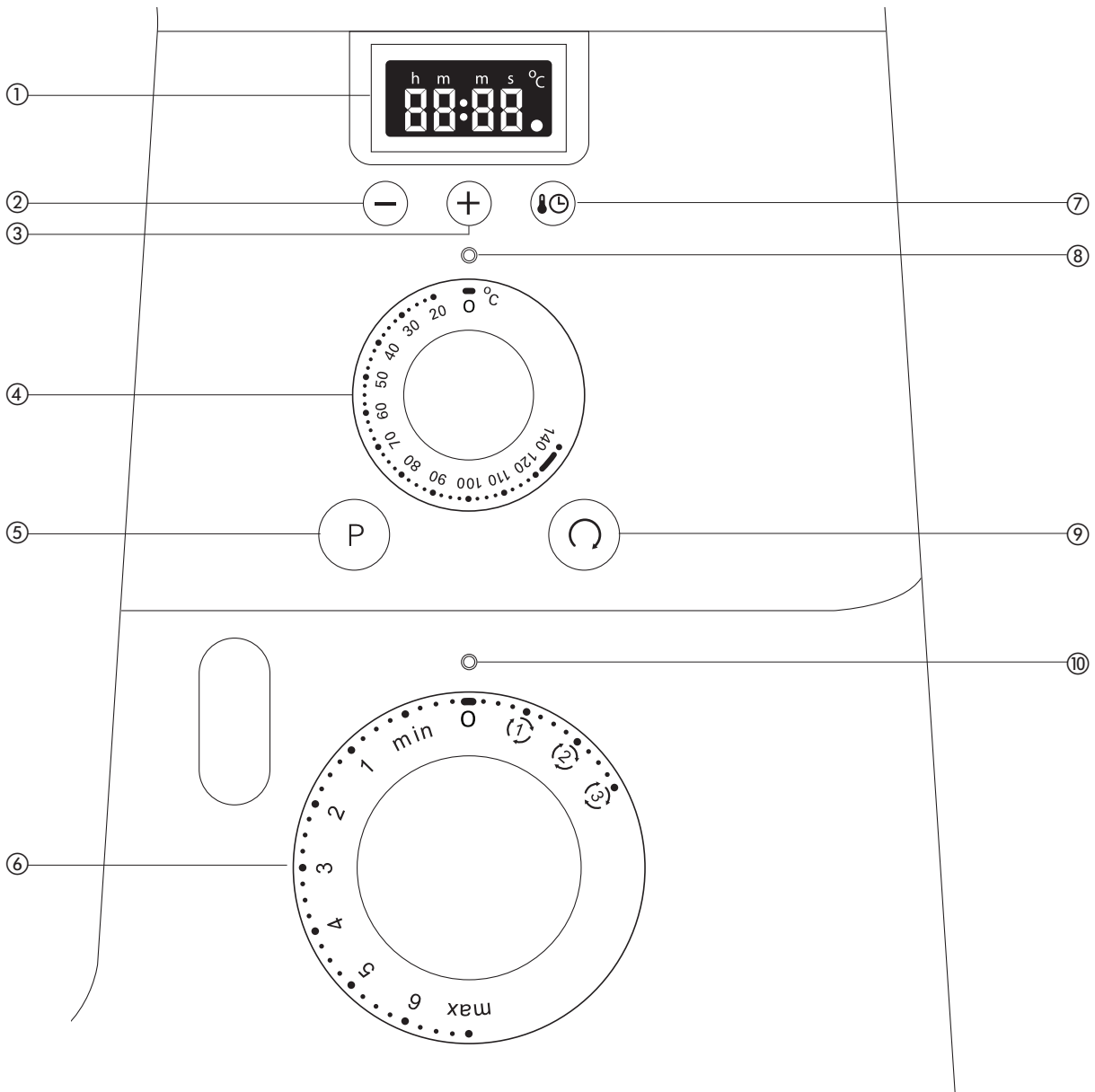
26 προστατευτικό σουπλά

27 κλειδί



πίνακας ελέγχου

- ① οθόνη χρονομέτρου/θερμοκρασίας
- ② κουμπί μείωσης χρονομέτρου
- ③ κουμπί αύξησης χρονομέτρου
- ④ χειριστήριο θερμοκρασίας
- ⑤ κουμπί παλμικής λειτουργίας/κουμπί ανάδευσης με συρμάτινο αναδευτήρα υψηλής ταχύτητας, υψηλής θερμοκρασίας
- ⑥ χειριστήριο ταχύτητας
- ⑦ κουμπί επιλογής χρονομέτρου/θερμοκρασίας
- ⑧ ενδεικτική λυχνία θερμοκρασίας
- ⑨ κουμπί σύντομης λειτουργίας
- ⑩ ενδεικτική λυχνία χειριστηρίου ταχύτητας



ρύθμιση του ύψους των εξαρτημάτων

Ανατρέξτε στη σελίδα 152 για τη συναρμολόγηση του μίξερ.

συρμάτινος αναδευτήρας, αναδευτήρας σχήματος K από ανοξείδωτο ατσάλι, γάντζος ανάδευσης

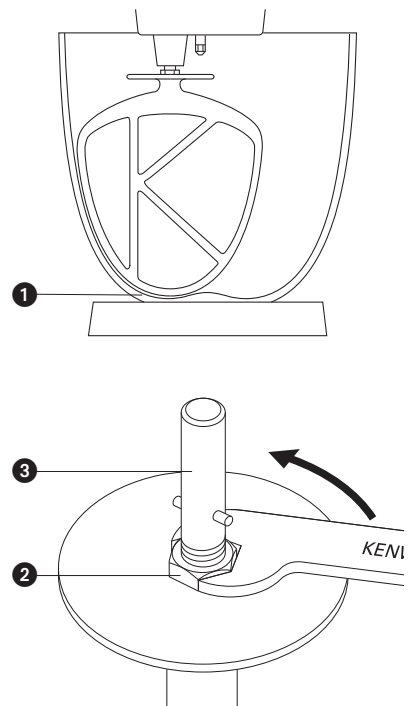
Για καλύτερη απόδοση, ο συρμάτινος αναδευτήρας, ο αναδευτήρας σχήματος K και ο γάντζος ανάδευσης πρέπει **σχεδόν** να ακουμπάνε στο κάτω μέρος του μπολ **1**. Αν χρειάζεται, ρυθμίστε το ύψος χρησιμοποιώντας το κλειδί της συσκευασίας.

Η διαδικασία είναι η εξής:

- 1 Αποσυνδέστε τη συσκευή από την πρίζα.
- 2 Ανασηκώστε την κεφαλή του μίξερ και τοποθετήστε τον συρμάτινο αναδευτήρα, τον αναδευτήρα σχήματος K ή τον γάντζο.
- 3 Κατεβάστε την κεφαλή του μίξερ. Αν χρειάζεται να ρυθμίσετε το ύψος, ανασηκώστε την κεφαλή του μίξερ και αφαιρέστε το εξάρτημα.
- 4 Χρησιμοποιήστε το κλειδί της συσκευασίας για να ξεσφίξετε το παξιμάδι **2** έτσι ώστε να μπορείτε να ρυθμίσετε τον άξονα **3**. Για να χαμηλώσετε το εξάρτημα και να πλησιάσει το κάτω μέρος του μπολ, στρίψτε αριστερόστροφα τον άξονα. Για να ανεβάσετε το εξάρτημα και να απομακρυνθεί από το κάτω μέρος του μπολ, στρίψτε δεξιόστροφα τον άξονα.
- 5 Σφίξτε ξανά το παξιμάδι.
- 6 Τοποθετήστε το εξάρτημα στο μίξερ και κατεβάστε την κεφαλή. (Ελέγξτε τη θέση ώστε να είναι στραμμένη προς τα πάνω).
- 7 Επανλάβετε τα παραπάνω βήματα κατά περίπτωση μέχρι να τοποθετηθεί σωστά το εξάρτημα. Όταν το εξάρτημα τοποθετηθεί σωστά, σφίξτε καλά το παξιμάδι.

εύκαμπος αναδευτήρας υψηλής ταχύτητας – αυτό το εξάρτημα πρέπει να ακουμπάει στο κάτω μέρος του μπολ.

αναδευτήρας ζύμης – αυτό το εξάρτημα έχει ρυθμιστεί στο εργοστάσιο και δεν χρειάζεται ρύθμιση.

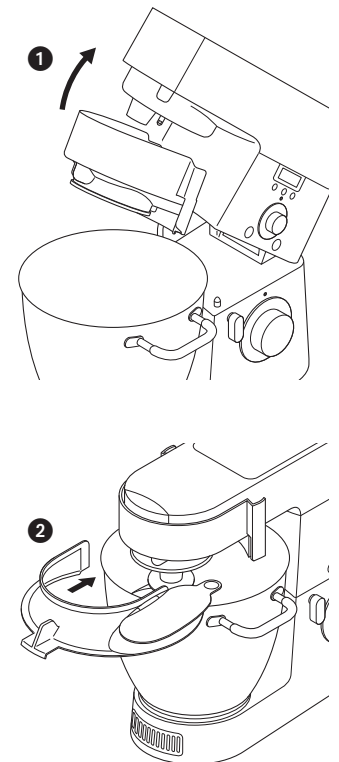


τοποθέτηση και χρήση του προστατευτικού για το πιτσίλισμα

Για να συναρμολογήσετε το προστατευτικό για το πιτσίλισμα χρειάζεστε 2 εξαρτήματα: το προστατευτικό θερμότητας και το προστατευτικό για το πιτσίλισμα.

Το προστατευτικό θερμότητας πρέπει να είναι τοποθετημένο όταν μαγειρεύετε, διαφορετικά το μίξερ δεν λειτουργεί και εμφανίζεται ο κωδικός σφάλματος E:03. Το προστατευτικό θερμότητας προστατεύει την κεφαλή του μίξερ από τον ατμό που παράγεται κατά το μαγείρεμα. Αν χρειάζεται μπορεί να τοποθετηθεί και το προστατευτικό θερμότητας και το προστατευτικό για το πιτσίλισμα για να συγκρατούνται τα υλικά μέσα στο μπολ, για παράδειγμα, όταν αναμιγνύετε ελαφριά συστατικά όπως το αλεύρι και η ζάχαρη άχνη ή όταν μαγειρεύετε και δεν θέλετε να εξατμιστούν τα υγρά. Το προστατευτικό για το πιτσίλισμα δεν πρέπει να τοποθετείται στο μπολ αν δεν έχει τοποθετηθεί και το προστατευτικό θερμότητας.

- 1 Ανασηκώστε την κεφαλή του μίξερ μέχρι να ασφαλίσει.
- 2 Σπρώξτε το προστατευτικό θερμότητας προς τα πάνω κάτω από την κεφαλή του μίξερ **1** μέχρι να τοποθετηθεί κανονικά. Το προστατευτικό θερμότητας δεν πρέπει να χρησιμοποιείται ποτέ χωρίς να έχει εφαρμοστεί σωστά η ελαστική μόνωση.
- 3 Τοποθετήστε το μπολ πάνω στη βάση.
- 4 Κατεβάστε την κεφαλή του μίξερ.
- 5 Ακουμπήστε το προστατευτικό για το πιτσίλισμα πάνω στο χείλος του μπολ και, στη συνέχεια, σπρώξτε προς τα εμπρός μέχρι να τοποθετηθεί κανονικά **2**.
- Κατά την ανάμιξη, μπορείτε να προσθέτετε συστατικά απευθείας στο μπολ από το άνοιγμα προσθήκης υλικών.
- 6 Για να αφαιρέσετε το προστατευτικό για το πιτσίλισμα, σύρετέ το για να βγει από τη συσκευή.
- 7 Για να αφαιρέσετε το προστατευτικό θερμότητας, ανασηκώστε την κεφαλή του μίξερ μέχρι να ασφαλίσει. Αφαιρέστε το εξάρτημα και τραβήξτε το προστατευτικό θερμότητας προς τα κάτω, κάτω από την κεφαλή του μίξερ. Σημείωση: Τοποθετείτε ή αφαιρείτε το προστατευτικό για το πιτσίλισμα όταν η κεφαλή του μίξερ είναι ασφαλισμένη.



ΤΟ ΜΙΞΕΡ

- σχήματος K
- **οι αναδευτήρες και μερικές από τις χρήσεις τους**
 - Για να φτιάχνετε κέικ, μπισκότα, γλυκά, γλάσο, γέμιση, εκλέρ και πουρέ πατάτας.
 - συρμάτινος
 - Για αυγά, κρέμα, κουρκούτι, παντεσπάνι χωρίς λιπαρά, μαρέγκα, τσίτσεικ, μους, σουφλέ. Μην χρησιμοποιείτε τον συρμάτινο αναδευτήρα σε βαρύ μίγμα (π.χ. κρέμα βουτύρου και ζάχαρη) – μπορεί να χαλάσει.
 - αναδευτήρας ζύμης
 - Μόνο για ζύμη.
 - εύκαμπος αναδευτήρας υψηλής θερμοκρασίας
 - Κατάλληλος για πολλά είδη μαγειρικής και ειδικά για την παρασκευή κρέμας, για χτυπητά αυγά και σάλτσες. Ιδανικός για να αφαιρείτε μίγμα ζεστό ή και κρύο από τα τοιχώματα του μπολ ενώ αναμιγνύετε. Κατάλληλος επίσης για λαχανικά σοτέ.
 - γάντζος ανάδευσης
 - Κατάλληλος για χρήση κατά το μαγείρεμα ώστε να διατηρείται η υφή του φαγητού
π.χ. σε κοτόπουλο, ψάρι, λαχανικά και φρούτα.


χρήση του μίξερ σας

Πριν να χρησιμοποιήσετε το μίξερ, βεβαιωθείτε ότι τα χειριστήρια θερμοκρασίας και ταχύτητας είναι απενεργοποιημένα στις θέσεις «Ο».

- τοποθέτηση εξαρτήματος
- 1 Στρίψτε δεξιόστροφα τον μοχλό ανύψωσης κεφαλής ❶ και ανασηκώστε την κεφαλή του μίξερ μέχρι να ασφαλίσει.
 - 2 Τοποθετήστε το εξάρτημα στην υποδοχή, με τον πείρο του άξονα μέσα στην εντομή και ασφαλίστε το στη θέση του ❷.

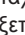
γάντζος ανάδευσης – για να τοποθετήσετε τον γάντζο, εισαγάγετε τον άξονα στην υποδοχή και ευθυγραμμίστε την εγκοπή στην επέκταση, ώστε να βρίσκεται κάτω από τον μεταλλικό πείρο που είναι κάτω από την κεφαλή του μίξερ. Κρατήστε τη λαβή και στρίψτε την ώστε ο πείρος του άξονα να είναι κάτω από την εντομή και ύστερα σπρώξτε προς τα πάνω και ασφαλίστε το στη θέση του ❸.

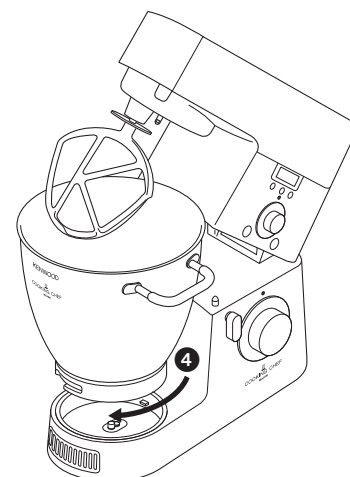
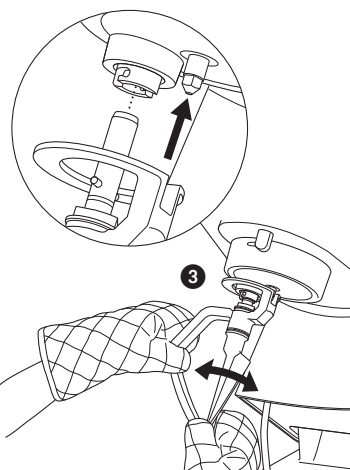
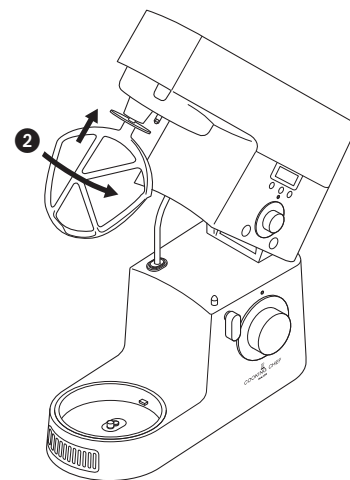
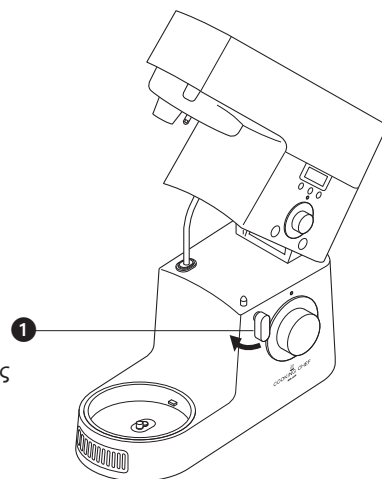
- 3 Τοποθετήστε το μπολ πάνω στη βάση, πιέστε προς τα κάτω και στρίψτε δεξιόστροφα ❹.
- 4 Για να κατεβάσετε την κεφαλή του μίξερ, ανασηκώστε την λίγο και ύστερα στρίψτε τον μοχλό ανύψωσης της κεφαλής δεξιόστροφα. Κατεβάστε την μέχρι να ασφαλίσει.

- Για να αφαιρέσετε ένα εξάρτημα
- Ακολουθήστε αντίστροφα το βήμα 2 παραπάνω. (Όταν αφαιρείτε εξαρτήματα μετά το μαγείρεμα, χρησιμοποιείτε πάντα γάντια κουζίνας).
 - 5 Συνδέστε το μίξερ στην πρίζα. Οι ενδεικτικές λυχνίες ταχύτητας και θερμοκρασίας ανάβουν στιγμιαία. Η οθόνη δείχνει **88:88**, και ύστερα μένει χωρίς ενδείξεις ενώ ανάβει η λυχνία λειτουργίας .
 - 6 Στρίψτε το χειριστήριο ταχύτητας στη ρύθμιση που θέλετε (ανατρέξτε στη σελίδα 153 για προτάσεις), το μίξερ θα ξεκινήσει και θα αναβοσβήσει η ενδεικτική λυχνία του χειριστηρίου ταχύτητας. Το χρονόμετρο μετράει ανά 1 δευτερόλεπτα. Η ταχύτητα μπορεί να αλλάξει ανά πάσα στιγμή ενώ το μίξερ λειτουργεί.
 - 7 Σταματήστε τη λειτουργία του μίξερ γυρνώντας ξανά το χειριστήριο ταχύτητας στη θέση απενεργοποίησης «Ο».


Σημαντικό – Αν οποιαδήποτε στιγμή ανασηκωθεί η κεφαλή του μίξερ κατά τη διάρκεια της λειτουργίας, το μίξερ θα σταματήσει αυτόματα και θα ακουστεί ένα ηχητικό σήμα. Δεν θα ξεκινήσει ξανά αν προηγουμένως δεν κατεβάσετε την κεφαλή. Για να ξεκινήσει ξανά το μίξερ, στρίψτε το χειριστήριο ταχύτητας στη θέση απενεργοποίησης «Ο» και επιλέξτε νέα ταχύτητα.

κουμπί παλμικής λειτουργίας

Το κουμπί παλμικής λειτουργίας μπορεί να χρησιμοποιηθεί μόνο όταν το χειριστήριο ταχύτητας βρίσκεται στη θέση απενεργοποίησης «Ο». Για να επιλέξετε την παλμική λειτουργία, πιέστε το κουμπί παλμικής λειτουργίας  και το μίξερ θα λειτουργήσει στη μέγιστη ταχύτητα για όσο διάστημα κρατήσετε πατημένο το κουμπί. Αν το περιεχόμενο του μπολ είναι σε θερμοκρασία πάνω από 60°C, η ταχύτητα θα αυξηθεί σταδιακά. Θα ακουστεί ένα ηχητικό σήμα και θα αναβοσβήσουν γρήγορα οι ενδεικτικές λυχνίες ταχύτητας και θερμοκρασίας.



κουμπί σύντομης λειτουργίας

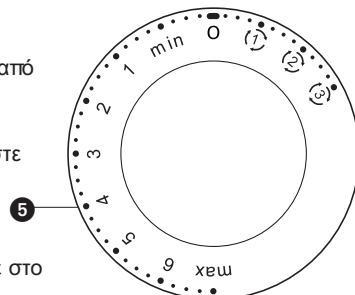
Πιέστε και αφήστε το κουμπί σύντομης λειτουργίας  και το μίξερ θα λειτουργήσει αυτόματα με ελάχιστη ταχύτητα για 2 στροφές και ύστερα θα σταματήσει. Το κουμπί μπορεί να πατηθεί και για λειτουργία μεγαλύτερης διάρκειας ή να πατηθεί επανειλημμένα κατά περίπτωση για να συνδυάσετε υλικά.

Σημείωση: Αν το κουμπί σύντομης λειτουργίας πατηθεί ενώ λειτουργεί το μοτέρ, θα εκτελέσει την κανονική σύντομη λειτουργία και ύστερα θα επανέλθει η επιλεγμένη ταχύτητα.





χειριστήριο ταχύτητας

Οι παρακάτω ταχύτητες είναι ενδεικτικές και ποικίλουν ανάλογα με την ποσότητα και τη θερμοκρασία των συστατικών που αναμιγνύονται κ.λπ.

Στρίψτε το χειριστήριο ταχύτητας δεξιόστροφα για να ορίσετε ταχύτητα από το «min» (ελάχιστο) έως το «max» (μέγιστο).

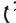
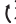



- σχήματος K
- **κρέμα βουτύρου και ζάχαρη** ξεκινήστε από το min και σταδιακά αυξήστε στο max.
 - **χτύπημα αυγών για κρεμώδη μίγματα 4 - max.**
 - **σταδιακή προσθήκη αλευριού, φρούτων κ.λπ.** min - 1
 - **γρήγορα κέικ** ξεκινήστε την ταχύτητα από το min και σταδιακά αυξήστε στο max.
 - **προσθήκη βουτύρου στο αλεύρι** min - 2.

- εύκαμπος αναδευτήρας
υψηλής ταχύτητας
- **κρέμα βουτύρου και ζάχαρη** ξεκινήστε από το min και σταδιακά αυξήστε στο 3.
 - **για να αφαιρέτε μίγμα ζεστό ή και κρύο από τα τοιχώματα του μπολ** ξεκινήστε από το min και σταδιακά αυξήστε στο 3.
 - **για λαχανικά σοτέ, για να ανακατέψετε ριζότο και πολέντα κ.λπ.** χρησιμοποιήστε το .
- συρμάτινος
αναδευτήρας ζύμης
γάντζος ανάδευσης
- Σταδιακά αυξήστε στο max.
 - Ξεκινήστε από το min και σταδιακά αυξήστε στο 1.
 - Χρησιμοποιήστε τον μόνο με τις ρυθμίσεις ανάδευσης , , .

ρυθμίσεις ανάδευσης

Για να επιλέξετε ρυθμίσεις ανάδευσης, στρίψτε το χειριστήριο ταχύτητας αριστερόστροφα. Αυτές οι ρυθμίσεις είναι κατάλληλες όταν το μίξερ χρησιμοποιείται σε λειτουργία μαγειρικής. Έχετε υπόψη ότι για να χρησιμοποιήσετε τις ταχύτητες ανάδευσης, πρέπει να έχουν τοποθετηθεί όλα τα καλύμματα υποδοχών.

-  – Χρησιμοποιήστε αυτήν τη ρύθμιση όταν απαιτείται συνεχής και χαμηλή ταχύτητα π.χ. όταν ανακατεύετε σάλτσες.
-  – Όταν το χειριστήριο ταχύτητας είναι σε αυτήν τη θέση, το μίξερ θα λειτουργεί με παύσεις σε χαμηλή ταχύτητα κάθε 5 δευτερόλεπτα για περίπου 2 στροφές.
-  – Όταν το χειριστήριο ταχύτητας είναι σε αυτήν τη θέση, το μίξερ θα λειτουργεί με παύσεις σε χαμηλή ταχύτητα κάθε 30 δευτερόλεπτα. Η ρύθμιση είναι κατάλληλη για να ανακατεύετε φαγητά κατσαρόλας κ.λπ.

Στρίψτε ξανά το χειριστήριο ταχύτητας στη θέση «0» για να σταματήσετε τη λειτουργία.

Σημείωση:

- Όταν έχει επιλεγεί ταχύτητα, αναβοσβήνει η ενδεικτική λυχνία ταχύτητας.
- Ίσως ακούσετε έναν θόρυβο από τη συσκευή όταν είναι σε χρήση. Είναι φυσιολογικό.

χρήση του μίξερ για μαγειρική

ΣΗΜΑΝΤΙΚΟ

- Βεβαιωθείτε ότι έχετε καθαρίσει την περιοχή επαγωγής, τους αισθητήρες θερμοκρασίας και την εξωτερική επιφάνεια της βάσης του μπολ. Σε αντίθετη περίπτωση θα επηρεαστεί ο αισθητήρας θερμότητας και δεν θα εκτελεστεί σωστά το μαγείρεμα.
- Βεβαιωθείτε ότι έχουν τοποθετηθεί όλα τα καλύμματα υποδοχών καθώς και το προστατευτικό θερμότητας. Αν δεν έχουν τοποθετηθεί σωστά, δεν ξεκινάει η λειτουργία θέρμανσης.
- Χρησιμοποιείτε πάντα γάντια κουζίνας όταν αφαιρείτε το μπολ και τα εξαρτήματα μετά το μαγείρεμα.

1 Συναρμολογήστε το μίξερ ακολουθώντας τις οδηγίες στη σελίδα 152.

2 Στρίψτε το χειριστήριο θερμότητας στην απαραίτητη θερμοκρασία.

- **Η θέρμανση δεν ξεκινάει αν δεν έχει επιλεγεί ταχύτητα.**

- 3 Στρίψτε το χειριστήριο ταχύτητας στην ταχύτητα που θέλετε για να ενεργοποιηθεί το μοτέρ και να ξεκινήσει η θέρμανση. Αναβοσβήνουν και οι δύο ενδεικτικές λυχνίες.
- 4 Μόλις η συσκευή φτάσει στην καθορισμένη θερμοκρασία, η ενδεικτική λυχνία θερμοκρασίας παραμένει αναμμένη.
Ωστόσο, κατά το μαγείρεμα η λυχνία θα αρχίσει να αναβοσβήνει αν η θερμοκρασία αλλάξει, δηλώνοντας έτσι ότι το μίξερ προσπαθεί να διατηρήσει την καθορισμένη θερμοκρασία (ανατρέξτε στην εισαγωγή στη σελίδα 147).
- Αν η θερμοκρασία στο μπολ υπερβεί τους 60°C, η ταχύτητα περιορίζεται αυτόματα για λόγους ασφάλειας ακόμα και αν έχετε επιλέξει υψηλότερη ρύθμιση. Η ταχύτητα δεν θα αυξηθεί αυτόματα όταν η θερμοκρασία μειωθεί κάτω από 60°C. Πρέπει πρώτα να κλείσετε το χειριστήριο ταχύτητας και ύστερα να επιλέξετε ταχύτητα ξανά.
 - Σημείωση: Κάθε φορά που πιέζετε το κουμπί επιλογής χρονομέτρου/θερμοκρασίας, η οθόνη εμφανίζει εναλλάξ τις ενδείξεις του χρονομέτρου και τις ενδείξεις θερμοκρασίας του περιεχομένου του μπολ.
- 5 Για να σταματήσετε ή να διακόψετε προσωρινά τη λειτουργία ανάμιξης ή θέρμανσης, στρίψτε το χειριστήριο ταχύτητας στη θέση απενεργοποίησης «Ο». Για να συνεχίσετε τη λειτουργία, επιλέξτε ταχύτητα.

συμβουλές

- Μερικές συνταγές, ειδικά όσες χρειάζονται μεγάλη περιεκτικότητα σε νερό, δεν θα φτάσουν σε θερμοκρασία μαγειρέματος πάνω από 100°C (το σημείο βρασμού του νερού).
- Όταν προσθέτετε συστατικά στο μπολ στη διάρκεια του μαγειρέματος, μειώστε την ταχύτητα και προσθέστε τα συστατικά αργά και ομοιόμορφα.
- Για να ζεστάνετε σάλτσες γρήγορα, χρησιμοποιήστε μια ρύθμιση συνεχούς ανάδευσης (1).
- Θα διαπιστώσετε ότι αν αλλάζετε εξάρτημα σε διαφορετικά στάδια της παρασκευής του φαγητού, θα έχετε καλύτερα αποτελέσματα, π.χ. χρησιμοποιήστε τον εύκαμπο αναδευτήρα για υψηλές θερμοκρασίες για να τηγανίσετε λαχανικά και ύστερα τον γάντζο για να μαγειρέψετε κομμάτια από κρέας ή πουλερικά.
- Αν χρησιμοποιείτε το προστατευτικό για το πιτσίσισμα ενώ μαγειρεύετε, να το αφαιρείτε πριν να ανασηκώσετε τη κεφαλή του μίξερ. Προσέχετε τους υδρατμούς που σχηματίζονται στο προστατευτικό για το πιτσίσισμα και στο προστατευτικό θερμότητας.
- Όταν ανασηκώνετε την κεφαλή του μίξερ, να το κάνετε αργά, ώστε αν υπάρχουν υγρά στο κάτω μέρος του προστατευτικού θερμότητας να πέσουν μέσα στο μπολ.
- Υπάρχουν τρεις λειτουργίες ανάδευσης για να επιλέξετε την κατάλληλη ένταση ανάδευσης για κάθε συνταγή. Σε μερικές συνταγές απαιτείται συνεχής ανάδευση για να μην κολλήσουν τα συστατικά στο κάτω μέρος του μπολ, ενώ σε κάποιες άλλες χρειάζεται ανάδευση κατά διαστήματα για να διατηρείται η υφή του φαγητού.
- Για καλύτερη απόδοση ρυθμίστε το ύψος των εξαρτημάτων, ανατρέξτε στη σελίδα 151.
- Ο μέγιστος χρόνος μαγειρέματος είναι 3 ώρες, μετά το μίξερ απενεργοποιείται αυτόματα.
- Μπορείτε να ζεστάνετε φαγητό χωρίς να τοποθετήσετε εξάρτημα, αλλά πρέπει να επιλέξετε ταχύτητα. Αυτό μπορεί να φανεί χρήσιμο όταν λιώνετε υλικά, π.χ. βούτυρο ή σοκολάτα.
- Κάθε φορά που πιέζετε το κουμπί επιλογής χρονομέτρου/θερμοκρασίας, η οθόνη εμφανίζει εναλλάξ τον χρόνο μαγειρέματος και την τρέχουσα θερμοκρασία.

Ρύθμιση συρμάτινου αναδευτήρα υψηλής ταχύτητας, υψηλής θερμοκρασίας

Για ανάδευση με συρμάτινο αναδευτήρα σε υψηλή ταχύτητα σε θερμοκρασία πάνω από 60°C, στρίψτε το χειριστήριο ταχύτητας στη θέση που θέλετε και κρατήστε πατημένο το κουμπί παλμικής λειτουργίας. Θα ακουστεί ένα ηχητικό σήμα και θα αναβοσβήσουν γρήγορα οι ενδεικτικές λυχνίες ταχύτητας και θερμοκρασίας. Η ταχύτητα ανάδευσης με συρμάτινο αναδευτήρα θα αυξηθεί σιγά-σιγά μέχρι να φτάσει την επιλεγμένη ταχύτητα. Επανάλαβτε τη διαδικασία για να αυξήσετε ακόμα περισσότερο την ταχύτητα. Μπορείτε να μειώσετε την ταχύτητα ανάδευσης με συρμάτινο αναδευτήρα ή να απενεργοποιήσετε κανονικά το μίξερ,

Αυτή η λειτουργία ΠΡΕΠΕΙ να χρησιμοποιείται μόνο με τον συρμάτινο αναδευτήρα. Δεν πρέπει να υπερβαίνετε τη μέγιστη χωρητικότητα των 3 λίτρων στο μαγείρεμα και πρέπει να βεβαιώνετε ότι έχει τοποθετηθεί το προστατευτικό για το πιτσίσισμα. Μην απομακρύνετε από τη συσκευή ενώ βρίσκεται σε λειτουργία.

μετά το μαγείρεμα

- Να είστε προσεκτικοί όταν χειρίζεστε ή όταν ακουμπάτε οποιοδήποτε τμήμα του μίξερ όταν χρησιμοποιείται σε λειτουργία μαγειρέματος ή μετά το μαγείρεμα, ΕΙΔΙΚΑ ΤΟ ΜΠΟΛ, ΤΟ ΠΡΟΣΤΑΤΕΥΤΙΚΟ ΓΙΑ ΤΟ ΠΙΤΣΙΛΙΣΜΑ ΚΑΙ ΤΑ ΕΞΑΡΤΗΜΑΤΑ διότι εξακολουθούν να είναι ΖΕΣΤΑ ακόμα και αφού απενεργοποιήσετε τη συσκευή. Χρησιμοποιήστε τα χερούλια για να αφαιρέσετε και να μεταφέρετε το μπολ. Χρησιμοποιήστε γάντια κουζίνας για να πάσετε το ζεστό μπολ και τους ζεστούς αναδευτήρες.
- Το κάτω μέρος του μπολ παραμένει ζεστό αρκετή ώρα αφού έχει σταματήσει η θέρμανση. Να είστε προσεκτικοί στον χειρισμό και να χρησιμοποιείτε το προστατευτικό σουπλά της συσκευασίας σε επιφάνειες που είναι ευαίσθητες σε καυτά σκεύη.

οθόνη

Για την ασφάλειά σας, το μίξερ διαθέτει 5 ξεχωριστούς αισθητήρες ασφαλείας που λειτουργούν όταν χρησιμοποιείτε το μίξερ στη λειτουργία μαγειρέματος. Αν το μίξερ απενεργοποιηθεί και ενεργοποιηθεί ένας αισθητήρας ασφαλείας, στην οθόνη χρονομέτρου/θερμοκρασίας θα εμφανιστεί ένας κωδικός σφάλματος, π.χ. «E:01». Θα ακουστεί ένα ηχητικό σήμα και θα σταματήσει η λειτουργία του μίξερ. Ελέγξτε τα παρακάτω μηνύματα σφάλματος:-

Μήνυμα σφάλματος	Περιγραφή	Λύση
E:01	Η κεφαλή της συσκευής είναι ανασηκωμένη. Όταν η κεφαλή είναι ανασηκωμένη, ο αισθητήρας ασφαλείας απενεργοποιεί το μοτέρ και τη θέρμανση. Αν το χειριστήριο ταχύτητας είναι σε οποιαδήποτε ρύθμιση και όχι στη θέση «Ο» όταν η κεφαλή είναι ανασηκωμένη, εμφανίζεται αυτό το μήνυμα και το μοτέρ δεν ενεργοποιείται.	Κλείστε την κεφαλή. Στρίψτε το χειριστήριο ταχύτητας στη θέση «Ο» και, στη συνέχεια, επιλέξτε την ταχύτητα που θέλετε.
E:02	Δεν έχει τοποθετηθεί το μπολ της κουζίνομηχανής Cooking Chef. Η λειτουργία θέρμανσης λειτουργεί μόνο όταν χρησιμοποιείται το μπολ μαγειρικής. Το μπολ πρέπει να τοποθετηθεί σωστά. Οι αισθητήρες ασφαλείας θα εντοπίσουν αν δεν έχετε τοποθετήσει το κατάλληλο μπολ ή αν το μπολ είναι κατάλληλο αλλά δεν είναι καλά τοποθετημένο.	Βεβαιωθείτε ότι χρησιμοποιείτε το μπολ της κουζίνομηχανής Cooking Chef. Βεβαιωθείτε ότι το μπολ είναι σωστά τοποθετημένο. Στρίψτε το χειριστήριο ταχύτητας στη θέση «Ο» και ύστερα επιλέξτε την ταχύτητα που θέλετε.
E:03	Δεν έχει τοποθετηθεί το προστατευτικό θερμότητας. Η λειτουργία θέρμανσης απενεργοποιείται αν δεν έχει τοποθετηθεί σωστά το προστατευτικό θερμότητας.	Βεβαιωθείτε ότι το προστατευτικό θερμότητας είναι σωστά τοποθετημένο. Στρίψτε το χειριστήριο ταχύτητας στη θέση «Ο» και ύστερα επιλέξτε την ταχύτητα που θέλετε.
E:04	Δεν έχουν τοποθετηθεί τα καλύμματα υποδοχών χαμηλής ταχύτητας και υψηλής/μέσης ταχύτητας. Τα καλύμματα διαθέτουν αισθητήρες ασφαλείας. Αν δεν τοποθετηθούν σωστά τα καλύμματα, απενεργοποιείται η θέρμανση και αν έχουν επιλεγεί λειτουργίες ανάδευσης, το μοτέρ θα λειτουργεί συνεχώς. Οι ταχύτητες ανάμιξης από την τιμή min έως την τιμή max θα λειτουργούν συνεχώς.	Βεβαιωθείτε ότι όλα τα καλύμματα είναι σωστά τοποθετημένα. Στρίψτε το χειριστήριο ταχύτητας στη θέση «Ο» και ύστερα επιλέξτε την ταχύτητα που θέλετε.
E:09	Πρόβλημα στον αισθητήρα θερμοκρασίας. Αν η ρύθμιση θέρμανσης εντοπίζει θερμοκρασία στο μπολ πάνω από το αναμενόμενο σε κανονική χρήση, απενεργοποιείται αυτόματα το μοτέρ και η θέρμανση.	Στρίψτε το χειριστήριο ταχύτητας στη θέση «Ο», απουσυνδέστε τη συσκευή από την πρίζα και αφήστε την να κρυώσει. Βεβαιωθείτε ότι έχετε καθαρίσει τη βάση του μπολ και τους αισθητήρες θερμοκρασίας. Συνδέστε τη συσκευή ξανά στην πρίζα και ενεργοποιήστε την.
E:10	Πρόβλημα στην ταχύτητα του μοτέρ ή πρόβλημα υπερθέρμανσης. Αν το μοτέρ σταματήσει ή υπερθερμανθεί, το σύστημα ελέγχου απενεργοποιεί αυτόματα το μοτέρ και τη θέρμανση.	Στρίψτε το χειριστήριο ταχύτητας στη θέση «Ο» και απουσυνδέστε τη συσκευή από την πρίζα. Απομακρύνετε τα εμπόδια που μπορεί να σταματούν το μοτέρ. Βεβαιωθείτε ότι δεν υπάρχουν εμπόδια στα ανοίγματα αερισμού. Συνδέστε τη συσκευή στην πρίζα και ενεργοποιήστε την.

Αν εξακολουθούν να εμφανίζονται στην οθόνη ή παραπάνω κωδικοί σφάλματος ή αν εμφανιστούν άλλοι, απευθυνθείτε στο τμήμα εξυπηρέτησης πελατών της Kenwood.

χρήση του χρονομέτρου

Μπορείτε να χρησιμοποιήσετε το χρονόμετρο τόσο στο μαγείρεμα όσο και στις υπόλοιπες λειτουργίες. Εάν δεν επιλέξετε χρόνο αντίστροφης μέτρησης, το χρονόμετρο θα μετράει ανά 1 δευτερόλεπτο ενώ το μίξερ βρίσκεται σε λειτουργία. Ο μέγιστος χρόνος λειτουργίας είναι 3 ώρες.

- 1 Συνδέστε το μίξερ στην πρίζα. Η οθόνη εμφανίζει σύντομα **88:88**, και ύστερα μένει χωρίς ενδείξεις ενώ ανάβει η λυχνία λειτουργίας **□**.
- 2 Πιέστε το κουμπί + ή – και θα εμφανιστεί στην οθόνη η ένδειξη 0:00.
- 3 Πιέστε το κουμπί + ή – έως ότου εμφανιστεί στην οθόνη ο χρόνος που επιθυμείτε. Το χρονόμετρο μετράει ανά 5 δευτερόλεπτα. Εάν πατάτε το κουμπί συνεχόμενα, οι αριθμοί θα αλλάζουν πιο γρήγορα όσο περισσότερο το κρατάτε πατημένο. Μπορείτε να ορίσετε μέγιστο χρόνο 3 ωρών.
Σημείωση: Εάν πιέσετε το κουμπί + όταν η ένδειξη του χρονομέτρου είναι 3:00, ο χρόνος που εμφανίζεται θα αλλάξει σε 0:00. Εάν πιέσετε το κουμπί – όταν η ένδειξη του χρονομέτρου είναι 0:00, ο χρόνος που εμφανίζεται θα αλλάξει σε 3:00.
- 4 Στρίψτε το χειριστήριο ταχύτητας στην ταχύτητα που θέλετε. Το μίξερ θα ξεκινήσει και το χρονόμετρο θα αρχίσει να μετρά αντίστροφα ανά 1 δευτερόλεπτο.
 - Μπορείτε να σταματήσετε τη λειτουργία του μίξερ οποιαδήποτε στιγμή γυρνώντας ξανά το χειριστήριο ταχύτητας στη θέση απενεργοποίησης «Ο». Με αυτό τον τρόπο διακόπεται και η λειτουργία του χρονομέτρου. Το χρονόμετρο θα συνεχίσει να μετρά αντίστροφα όταν ξεκινήσετε ξανά το μίξερ.
- 5 Η διαδικασία ανάμιξης θα σταματήσει αυτόματα όταν παρέλθει ο χρόνος και ακουστεί ένα ηχητικό σήμα για 3 δευτερόλεπτα. Η οθόνη θα αναβοσβήσει για 5 δευτερόλεπτα και ύστερα θα μείνει χωρίς ενδείξεις ενώ ανάβει η λυχνία λειτουργίας **□**.

μηδενισμός του χρονομέτρου

- 1 Μπορείτε να μηδενίσετε το χρονόμετρο πρίζοντας τα κουμπιά + και – ταυτόχρονα (το χειριστήριο ταχύτητας πρέπει να βρίσκεται στη θέση απενεργοποίησης «Ο»).
- Εάν η συσκευή παραμείνει αδρανής για 10 λεπτά, η οθόνη LCD και ο οπίσθιος φωτισμός θα τεθούν σε «λειτουργία αδράνειας» και όλες οι ενδείξεις θα σβήσουν. Εάν είναι ενεργοποιημένο κάποιο κουμπί ή μοχλός χειριστηρίου, θα επανέλθει η προηγούμενη ένδειξη.

μέγιστες ποσότητες

ζύμη για τάρτες	• Βάρος αλευριού: 910g
σφιχτή ζύμη με μαγιά	• Βάρος αλευριού: 1,5kg
	• Συνολικό βάρος: 2,4kg
μαλακή ζύμη με μαγιά	• Βάρος αλευριού: 2,6kg
	• Συνολικό βάρος: 5kg
μίγμα για κέικ φρούτου	• Συνολικό βάρος: 4,55kg
ασπράδια αβγών	• 16
λειτουργία μαγειρέματος	• 3 λίτρα

- γενικές συμβουλές
- Διακόπτετε συχνά την ανάμιξη και αφαιρείτε το μίγμα από τα τοιχώματα του μπολ με μια σπάτουλα.
 - Για το χτύπημα αυγών προτιμάτε τα αυγά να βρίσκονται σε θερμοκρασία δωματίου.
 - Πριν να χτυπήσετε τα ασπράδια, βεβαιωθείτε ότι δεν υπάρχει λίπος ή κρόκος αβγού στον αναδευτήρα ή στο μπολ.
 - Για ζύμες τα υλικά σας θα πρέπει να είναι κρύα, εκτός εάν ορίζεται διαφορετικά στη συνταγή σας.

οδηγίες για την παρασκευή ψωμιού

- σημαντικό
- Μην υπερβαίνετε ποτέ τις μέγιστες συνιστώμενες ποσότητες, γιατί υπάρχει κίνδυνος υπερφόρτωσης της συσκευής.
 - Εάν η συσκευή παράγει ήχους που δείχνουν ότι δεν λειτουργεί σωστά λόγω μεγάλης ποσότητας υλικών, απενεργοποιήστε την, αφαιρέστε τη μισή ποσότητα της ζύμης και επεξεργαστείτε κάθε μέρος χωριστά.
 - Τα υλικά αναμιγνύονται καλύτερα εάν τοποθετήσετε πρώτα τα υγρά υλικά.

οδηγός επίλυσης προβλημάτων κατά το μαγείρεμα

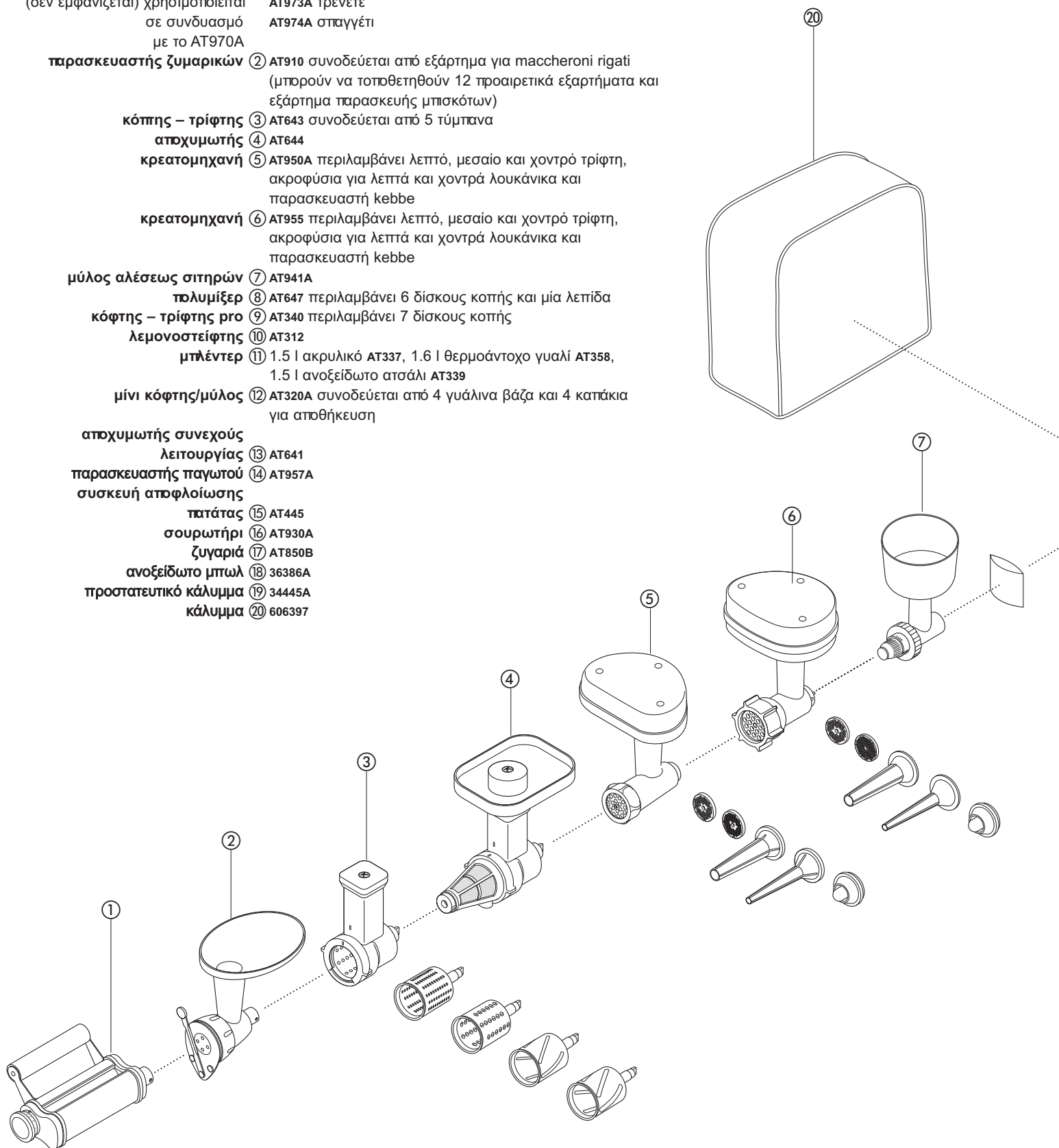
Πρόβλημα	Αιτία	Λύση
Το μίξερ δεν λειτουργεί στη λειτουργία θέρμανσης, εμφανίζει ένα μήνυμα σφάλματος και εκπέμπει ένα προειδοποιητικό ηχητικό σήμα.	Έχει ενεργοποιηθεί ένας από τους αισθητήρες ασφαλείας.	Ανατρέξτε στον πίνακα που αναφέρει τα μηνύματα σφάλματος, στη σελίδα 155. <ul style="list-style-type: none"> • Βεβαιωθείτε ότι έχετε κατεβάσει την κεφαλή και ότι έχει κλειδώσει στη θέση της. • Βεβαιωθείτε ότι όλα τα καλύμματα των υποδοχών είναι σωστά τοποθετημένα. • Βεβαιωθείτε ότι το προστατευτικό θερμότητας είναι σωστά τοποθετημένο. • Βεβαιωθείτε ότι το μπολ cooking chef είναι σωστά τοποθετημένο.
Έχετε επιλέξει μια θερμοκρασία αλλά το περιεχόμενο του μπολ δεν θερμαίνεται (η ενδεικτική λυχνία θερμοκρασίας δεν ανάβει).	Δεν έχετε επιλέξει ταχύτητα.	Επιλέξτε μια ταχύτητα.
Η ταχύτητα του μίξερ αλλάζει κατά τη διάρκεια του μαγειρέματος.	Η ταχύτητα περιορίζεται αυτόματα όταν 60°C. η θερμοκρασία του περιεχομένου του μπολ φτάσει τους	Πρόκειται για μια λειτουργία ασφαλείας.
Το φαγητό κολλάει στη βάση του μπολ.	<ol style="list-style-type: none"> 1 Η ρύθμιση θερμοκρασίας που έχετε επιλέξει ενδεχομένως να είναι υπερβολικά υψηλή. 2 Το εργαλείο που χρησιμοποιείται δεν είναι το κατάλληλο. 3 Η λειτουργία ανάδευσης είναι υπερβολικά αργή. 4 Ενδεχομένως το εργαλείο να μην είναι αρκετά χαμηλά μέσα στο μπολ. 5 Η ρύθμιση του χρονομέτρου είναι υπερβολικά μεγάλη. 6 Ο αισθητήρας ή/και το κάτω μέρος του μπολ ενδεχομένως να μην είναι καθαρά. 	<ol style="list-style-type: none"> 1 Μειώστε τη θερμοκρασία ή μαγειρέψτε σε χαμηλότερη θερμοκρασία. 2 Βεβαιωθείτε ότι χρησιμοποιείτε το καταλληλότερο εργαλείο για την περίπτωση. 3 Αυξήστε τη συχνότητα της λειτουργίας ανάδευσης ή αυξήστε την σε συνεχιζόμενη λειτουργία. 4 Προσαρμόστε το εργαλείο. 5 Μαγειρέψτε για λιγότερο χρόνο (βεβαιωθείτε ότι το φαγητό έχει μαγειρευτεί σωστά). 6 Βεβαιωθείτε ότι αυτές οι περιοχές διατηρούνται καθαρές και στεγνές.
Το φαγητό δεν έχει ομοιογενή υφή.	<ol style="list-style-type: none"> 1 Η επιλεγμένη θερμοκρασία είναι υπερβολικά υψηλή. 2 Η λειτουργία ανάδευσης είναι υπερβολικά γρήγορη. 3 Το μαγείρεμα των υλικών έχει διαρκέσει υπερβολικά πολύ. 4 Το εργαλείο που χρησιμοποιείται δεν είναι το κατάλληλο. 	<ol style="list-style-type: none"> 1 Μειώστε τη θερμοκρασία. 2 Μειώστε την ταχύτητα ανάδευσης. 3 Μειώστε το χρόνο μαγειρέματος (βεβαιωθείτε ότι το φαγητό έχει μαγειρευτεί σωστά). 4 Βεβαιωθείτε ότι χρησιμοποιείτε το καταλληλότερο εργαλείο για την περίπτωση.
Η ταχύτητα ανάμιξης δεν είναι ομοιογενής.	<ol style="list-style-type: none"> 1 Τα υλικά είναι πολύ μεγάλα, πολύ σκληρά ή πολύ συμπαγή. 	<ol style="list-style-type: none"> 1 Κόψτε το φαγητό σε μικρότερα κομμάτια, αφαιρέστε τα κουκούτσια των φρούτων, λιώστε αργά τα υλικά χωρίς κάποιο εργαλείο (αλλά βεβαιωθείτε ότι έχετε επιλέξει μια ταχύτητα). 2 Προσθέστε υλικά αφού κατεβάσετε την κεφαλή. 3 Βεβαιωθείτε ότι χρησιμοποιείτε το καταλληλότερο εργαλείο.
Στο ζεστό μίγμα έχουν προστεθεί κρύα υλικά αλλά η ένδειξη της θερμοκρασίας δεν αλλάζει αμέσως.	Εάν τα περιεχόμενα του μπολ δεν ανακατεύονται καλά, τότε η θερμοκρασία του φαγητού δεν θα είναι ομοιογενής σε όλο το μπολ.	<ol style="list-style-type: none"> 1 Αφήστε λίγο χρόνο έως ότου αναμιχθούν καλά όλα τα υλικά. 2 Αυξήστε την ταχύτητα ανάδευσης.
Δυσκολία κλεισίματος της κεφαλής του μίξερ όταν υπάρχει φαγητό μέσα στο μπολ.	Αυξήστε την ταχύτητα ανάδευσης.	Προσθέστε υλικά αφού κατεβάσετε την κεφαλή του μίξερ.
Το μίξερ λειτουργεί συνεχώς όταν είναι επιλεγμένες οι λειτουργίες ανάδευσης (2) ή (3).	Τα καλύμματα των υποδοχών δεν έχουν τοποθετηθεί σωστά.	Βεβαιωθείτε ότι τα καλύμματα των υποδοχών είναι σωστά τοποθετημένα.
Η ταχύτητα του μοτέρ περιορίζεται κατά τη χρήση εξαρτημάτων	Το μπολ που έχει τοποθετηθεί είναι ζεστό.	Αφαιρέστε το μπολ ή αφήστε το να κρυώσει έως κάτω από τους 60°C.

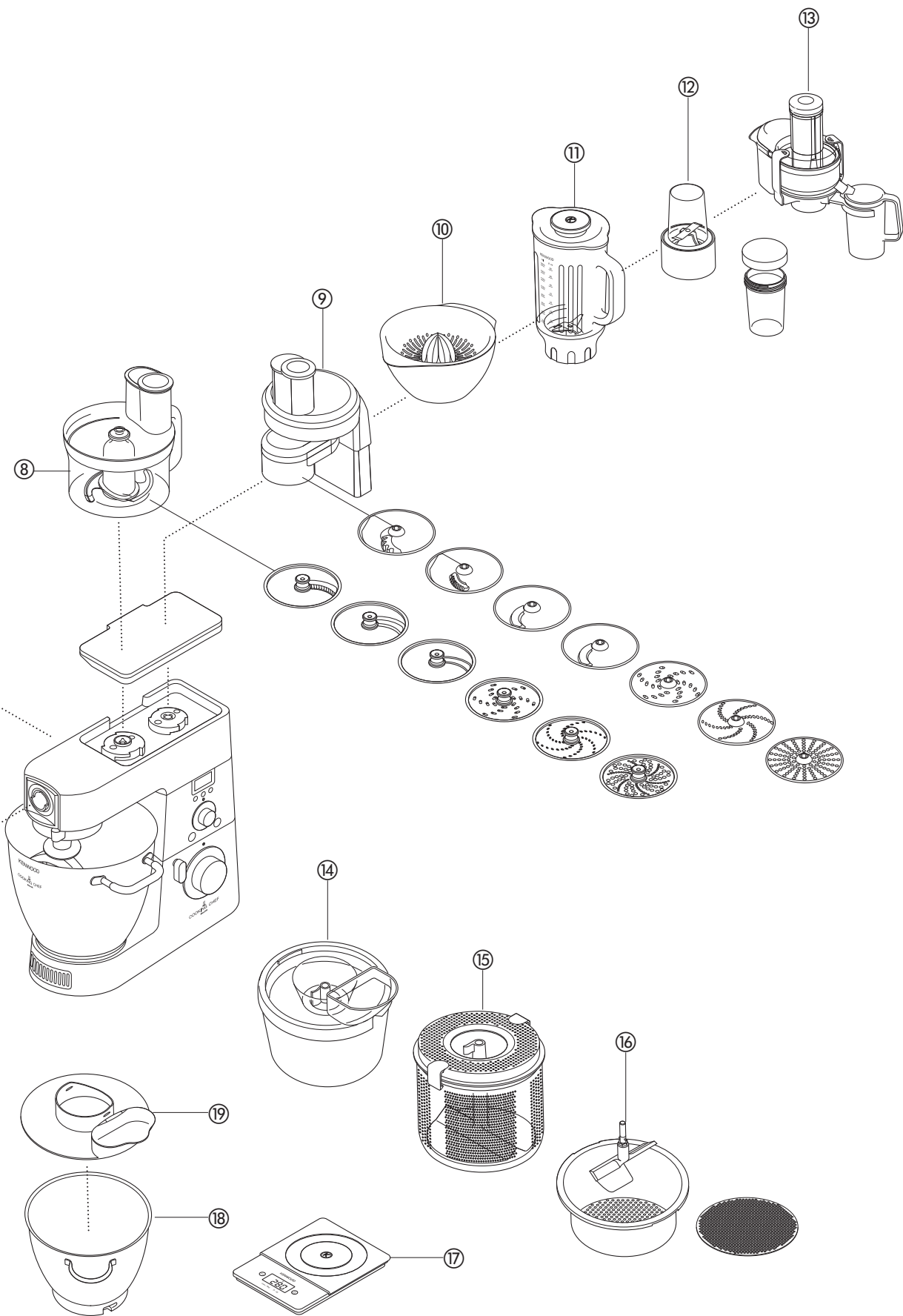
διαθέσιμα προαιρετικά εξαρτήματα

Για να αγοράσετε ένα εξάρτημα που δεν περιλαμβάνεται στη συσκευασία σας, ανατρέξτε στην ενότητα «σέρβις και εξυπηρέτηση πελατών».

εξάρτημα κωδικός εξαρτήματος

- εξάρτημα για ίσια ζυμαρικά** ① AT970A
πρόσθετα εξαρτήματα για ζυμαρικά (δεν εμφανίζεται) χρησιμοποιείται σε συνδυασμό με το AT970A
- παρασκευαστής ζυμαρικών** ② AT910 συνοδεύεται από εξάρτημα για maccheroni rigati (μπορούν να τοποθετηθούν 12 προαιρετικά εξαρτήματα και εξάρτημα παρασκευής μπισκότων)
- κόπτης – τρίφτης αποχυμωτής κρεατομηχανή** ③ AT643 συνοδεύεται από 5 τύμπανα
④ AT644
- κρεατομηχανή** ⑤ AT950A περιλαμβάνει λεπτό, μεσαίο και χοντρό τρίφτη, ακροφύσια για λεπτά και χοντρά λουκάνικα και παρασκευαστή kebbe
- κρεατομηχανή** ⑥ AT955 περιλαμβάνει λεπτό, μεσαίο και χοντρό τρίφτη, ακροφύσια για λεπτά και χοντρά λουκάνικα και παρασκευαστή kebbe
- μύλος αλέσεως σιτηρών πολυμίξερ** ⑦ AT941A
⑧ AT647 περιλαμβάνει 6 δίσκους κοπής και μία λεπίδα
- κόφτης – τρίφτης pro** ⑨ AT340 περιλαμβάνει 7 δίσκους κοπής
- λεμονοστείφτης** ⑩ AT312
- μπλέντερ** ⑪ 1.5 l ακρυλικό AT337, 1.6 l θερμομόντοχο γυαλί AT358, 1.5 l ανοξείδωτο ασάλι AT339
- μίνι κόφτης/μύλος** ⑫ AT320A συνοδεύεται από 4 γυάλινα βάζα και 4 καπάκια για αποθήκευση
- αποχυμωτής συνεχούς λειτουργίας** ⑬ AT641
- παρασκευαστής παγωτού** ⑭ AT957A
- συσκευή αποφλοιώσης πατάτας** ⑮ AT445
- σουρωτήρι** ⑯ AT930A
- ζυγαριά** ⑰ AT850B
- ανοξείδωτο μπωλ** ⑱ 36386A
- προστατευτικό κάλυμμα** ⑲ 34445A
- κάλυμμα** ⑳ 606397





καθαριότητα και συντήρηση

φροντίδα και καθαριότητα

- Πριν καθαρίσετε τη συσκευή, θα πρέπει πάντα να την απενεργοποιείτε και να την αποσυνδέετε από την πρίζα.
- Την πρώτη φορά που θα χρησιμοποιήσετε τη συσκευή, ενδέχεται να υπάρξει λίγο λιπαντικό υλικό στην **υποδοχή 2**. Αυτό είναι φυσιολογικό. Απλώς σκουπίστε την υποδοχή.
- Οι μεταλλικές επιφάνειες των αισθητήρων θερμοκρασίας ενδεχομένως να εμφανίσουν ενδείξεις φθοράς κατά τη χρήση. Αυτό δεν επηρεάζει την απόδοση του προϊόντος.
- Μην αφήνετε τον εύκαμπτο αναδευτήρα για υψηλές θερμοκρασίες στο μίξερ, όταν δεν τον χρησιμοποιείτε.

συσκευή, καλύμματα υποδοχών
εύκαμπτος αναδευτήρας υψηλές
θερμοκρασίες

- Σκουπίστε τα με ένα νωπό πανί και έπειτα με ένα στεγνό.
- Μην χρησιμοποιείτε στιλβωτικά και μην βυθίζετε τη συσκευή στο νερό.
- Αφαιρείτε πάντα την εύκαμπτη λεπίδα από το εργαλείο πριν από τον καθαρισμό.
- Πλένετε την εύκαμπτη λεπίδα και το εργαλείο σε ζεστή σαπουνάδα και τα στεγνώνετε πολύ καλά. Εναλλακτικά, τα μέρη μπορούν να πλυθούν σε πλυντήριο πιάτων.

Σημείωση: Ελέγχετε την κατάσταση του εργαλείου πριν και μετά τη χρήση και, επίσης, ελέγχετε συχνά την κατάσταση της εύκαμπτης λεπίδας και αντικαταστήστε την εάν υπάρχουν σημάδια φθοράς.

μπολ, εργαλεία, προστατευτικό
για το πιτσίσισμα

- Πλύνετε τα στο χέρι και, στη συνέχεια, σκουπίστε τα καλά ή πλύνετε τα στο πλυντήριο πιάτων.
- Μην χρησιμοποιείτε ποτέ συρμάτινη βούρτσα, σφουγγάρι από ασάλι ή λευκαντικό για να πλύνετε το μπολ από ανοξειδωτο ασάλι. Χρησιμοποιήστε ξύδι ή ένα κατάλληλο καθαριστικό κατά των αλάτων για να αφαιρέσετε τα άλατα.
- Εάν κολλήσει φαγητό στο εσωτερικό του μπολ, αφαιρέστε όσο το δυνατό περισσότερη ποσότητα χρησιμοποιώντας την σπάτουλα που σας παρέχεται. Γεμίστε το μπολ με ζεστό σαπουνόνερο και αφήστε το να μουλιάσει. Αφαιρέστε τα επίμονα υπολείμματα χρησιμοποιώντας μια πλαστική βούρτσα.
- Η αλλοίωση του χρώματος του μπολ δεν θα επηρεάσει την απόδοσή του.
- Φροντίστε ώστε να μην υπάρχουν υπολείμματα τροφίμων σε αυτή την περιοχή. Εάν χρειάζεται, για να καθαρίσετε την οπή, χρησιμοποιήστε ένα καθαριστικό σωλήνων ή μια μπατονέτα.
- Σκουπίστε τα με ένα νωπό πανί και έπειτα με ένα στεγνό. Μην χρησιμοποιείτε στιλβωτικά ή αιχμηρά αντικείμενα για να καθαρίσετε τους αισθητήρες.

οπή αποστράγγισης
αισθητήρες θερμοκρασίας

σέρβις και εξυπηρέτηση πελατών

- Εάν το καλώδιο έχει υποστεί ζημιά, πρέπει, για λόγους ασφαλείας, να αντικατασταθεί από την KENWOOD ή από εξουσιοδοτημένο κέντρο επισκευών της KENWOOD.

Εάν χρειάζεστε βοήθεια σχετικά με:

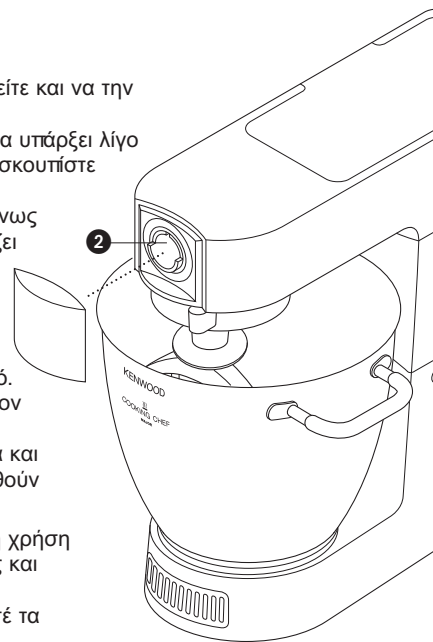
- τη χρήση της συσκευής ή
 - το σέρβις ή τις επισκευές
επικοινωνήστε με το κατάστημα από το οποίο αγοράσατε τη συσκευή σας.
- Σχεδιάστηκε και αναπτύχθηκε από την Kenwood στο Ηνωμένο Βασίλειο.
 - Κατασκευάστηκε στην Κίνα.



Προειδοποιήσεις για τη σωστή διάθεση του προϊόντος σύμφωνα με την Ευρωπαϊκή Οδηγία 2002/96/EK

Στο τέλος της ωφέλιμης ζωής του, το προϊόν δεν πρέπει να διατίθεται με τα αστικά απορρίμματα.

Πρέπει να διατεθεί σε ειδικά κέντρα διαφοροποιημένης συλλογής απορριμμάτων που ορίζουν οι δημοτικές αρχές, ή στους φορείς που παρέχουν αυτήν την υπηρεσία. Η Χωριστή διάθεση μιας οικιακής ηλεκτρικής συσκευής επιτρέπει την αποφυγή πιθανών αρνητικών συνεπειών για το περιβάλλον και την υγεία από την ακατάλληλη διάθεση καθώς και την ανακύκλωση υλικών από τα οποία αποτελείται ώστε να επιτυγχάνεται σημαντική εξοικονόμηση ενέργειας και πόρων. Για την επισήμανση της υποχρεωτικής χωριστής διάθεσης οικιακών ηλεκτρικών συσκευών το προϊόν φέρει το σήμα του διαγραμμένου τροχοφόρου κάδου απορριμμάτων.



ΣΥΝΤΑΓЭС

Δείτε χρήσιμες συμβουλές για την παρασκευή ψωμιού στη σελίδα 156.

άσπρο ψωμί σφιχτή ζύμη με μαγιά

- υλικά
- 1,36kg (3lb) δυνατό αλεύρι για όλες τις χρήσεις
 - 15ml (3 κουταλάκια του γλυκού) αλάτι
 - 25g (1oz) φρέσκια μαγιά, ή 15g/20ml (1/2oz) ξερή μαγιά + 5ml (1 κουταλάκι του γλυκού) ζάχαρη
 - 750ml (11/4pts) ζεστό νερό: 43°C (110°F). Χρησιμοποιήστε θερμομόμετρο ή προσθέστε 250ml (9fl oz) βραστό νερό σε 500ml (18fl oz) κρύο νερό
 - 25g (1oz) λάδι
- εκτέλεση
- 1 **Ξερή μαγιά:** ρίξτε το ζεστό νερό μέσα στο μπολ. Στη συνέχεια, προσθέστε τη μαγιά και τη ζάχαρη και αφήστε την να σταθεί για περίπου 10 λεπτά έως ότου αφρίσει.
φρέσκια μαγιά: θρυμματίστε την μέσα στο αλεύρι.
άλλοι τύποι μαγιάς: ακολουθήστε τις οδηγίες που υπάρχουν στη συσκευασία.
 - 2 Ρίξτε το υγρό μέσα στο μπολ. Στη συνέχεια, προσθέστε το αλεύρι (με τη φρέσκια μαγιά), αλάτι και λάδι.
 - 3 Ζυμώστε στη μικρότερη ταχύτητα για 45 - 60 δευτερόλεπτα. Στη συνέχεια, αυξήστε την ταχύτητα στο 1, προσθέτοντας περισσότερο αλεύρι, εάν χρειάζεται, έως ότου γίνει ζύμη.
 - 4 Ζυμώστε για 3 - 4 λεπτά ακόμη στην ταχύτητα 1, έως ότου η ζύμη είναι μαλακή, ελαστική και αφήνει τα τοιχώματα του μπολ καθαρά.
 - 5 Τοποθετήστε τη ζύμη σε μια λαδωμένη σακούλα για τρόφιμα ή σε ένα μπολ καλυμμένο με μια πετσέτα κουζίνας. Στη συνέχεια, αφήστε τη ζύμη σε ένα ζεστό μέρος έως ότου διπλασιαστεί σε όγκο.
 - 6 Ζυμώστε ξανά για 2 λεπτά στην ταχύτητα 1.
 - 7 Τοποθετήστε ζύμη μέχρι τη μέση σε τέσσερα λαδωμένα ταψάκια των 450g (1lb) ή φτιάξτε ψωμάκια.
Στη συνέχεια, καλύψτε με μια πετσέτα κουζίνας και αφήστε τα σε ένα ζεστό μέρος έως ότου διπλασιαστούν σε όγκο.
 - 8 Ψήστε στους 230°C/450°F/Με αέριο στο 8 για 30 - 35 λεπτά για καρβέλια ή 10 - 15 λεπτά για ψωμάκια.
- Όταν είναι έτοιμο, το ψωμί θα ακούγεται σαν να είναι κούφιο όταν το χτυπάτε από κάτω.

άσπρο ψωμί μαλακή ζύμη με μαγιά

- υλικά
- 2,6kg (5lb 12oz) απλό αλεύρι για όλες τις χρήσεις
 - 1,3 λίτρο (21/4pts) γάλα
 - 300g (10oz) ζάχαρη
 - 450g (1lb) μαργαρίνη
 - 100g (4oz) φρέσκια μαγιά, ή 50g (2oz) ξερή μαγιά
 - 6 αβγά, χτυπημένα
 - 5 πρέζες αλάτι
- εκτέλεση
- 1 Λιώστε τη μαργαρίνη στο γάλα και ζεστάνετε έως ότου το μίγμα φτάσει τους 43°C (110°F).
 - 2 **Ξερή μαγιά:** Προσθέστε τη μαγιά και τη ζάχαρη στο γάλα και αφήστε την να σταθεί για περίπου 10 λεπτά έως ότου αφρίσει.
φρέσκια μαγιά: θρυμματίστε την μέσα στο αλεύρι και προσθέστε τη ζάχαρη.
άλλοι τύποι μαγιάς: ακολουθήστε τις οδηγίες που υπάρχουν στη συσκευασία.
 - 3 Ρίξτε το γάλα μέσα στο μπολ. Προσθέστε τα χτυπημένα αβγά και 2kg (4lb 6oz) αλεύρι.
 - 4 Ανακατέψτε στη μικρότερη ταχύτητα για 1 λεπτό και, στη συνέχεια, στην ταχύτητα 1 για ακόμη ένα λεπτό.
Αφαιρέστε τη ζύμη από τα τοιχώματα με μια σπάτουλα.
 - 5 Προσθέστε το υπόλοιπο αλεύρι και ανακατέψτε στη μικρότερη ταχύτητα για 1 λεπτό. Στη συνέχεια, ανακατέψτε στην ταχύτητα 1 για ακόμη 2-3 λεπτά έως ότου το μίγμα είναι απαλό και ομοιογενές.
 - 6 Τοποθετήστε ζύμη μέχρι τη μέση σε μερικά λαδωμένα ταψάκια των 450g (1lb) ή πλάστε ψωμάκια.
Στη συνέχεια, καλύψτε με μια πετσέτα κουζίνας και αφήστε τα σε ένα ζεστό μέρος έως ότου διπλασιαστούν σε όγκο.
 - 7 Ψήστε στους 200°C/400°F/Με αέριο στο 6 για 20 - 25 λεπτά για καρβέλια ή 15 - 15 λεπτά για τα ψωμάκια
 - 8 Όταν είναι έτοιμο, το ψωμί θα ακούγεται σαν να είναι κούφιο όταν το χτυπάτε από κάτω.
- Μπορείτε να κάνετε περίπου 10 καρβέλια.

ΣΥΝΤΑΓΕΣ ΣΥΝΕΧΕΙΑ

γλυκό με φράουλες και βερίκοκα

- υλικά: παντεσπάνι ● 3 αβγά
● 75g (3oz) ζάχαρη άχνη
● 75g (3oz) αλεύρι
- γέμιση και διακόσμηση ● 150ml (1/4pt) κρέμα γάλακτος
● Ζάχαρη ανάλογα την προτίμηση
● 225g (8oz) φράουλες
● 225g (8oz) βερίκοκα
- εκτέλεση 1 Κόψτε τα βερίκοκα στη μέση και αφαιρέστε τα κουκούτσια. Μαγειρέψτε απαλά χρησιμοποιώντας πολύ λίγο νερό, προσθέτοντας όση ζάχαρη προτιμάτε, έως ότου μαλακώσουν.
2 Πλύνετε και κόψτε στη μέση τις φράουλες.
3 Για το παντεσπάνι, χτυπήστε τα αβγά και τη ζάχαρη στη μέγιστη ταχύτητα έως ότου το μίγμα γίνει πολύ σφιχτό.
4 Αφαιρέστε το μπολ και τον αναδευτήρα. Προσθέστε σταδιακά το αλεύρι με το χέρι χρησιμοποιώντας ένα μεγάλο μεταλλικό κουτάλι. Κάντε το προσεχτικά για να διατηρήσετε το παντεσπάνι ελαφρύ.
5 Τοποθετήστε το μίγμα σε δύο λαδωμένα ταψιά 18cm (7").
6 Ψήστε στους 180°C/350°F/Με αέριο στο 4 για 20 λεπτά περίπου. Όταν το παντεσπάνι θα είναι έτοιμο θα πρέπει να είναι αφράτο και να επανέρχεται όταν το πιέσετε.
7 Αναποδογυρίστε το πάνω σε μια μεταλλική σχάρα.
8 Χτυπήστε την κρέμα στη μέγιστη ταχύτητα έως ότου γίνει σφιχτή. Προσθέστε ζάχαρη ανάλογα με την προτίμηση σας.
9 Κόψτε τα βερίκοκα και ένα τρίτο από τις φράουλες σε μικρά κομμάτια. Προσθέστε τα σταδιακά στη μισή κρέμα.
10 Απλώστε το μίγμα πάνω από τα παντεσπάνια, στη συνέχεια, τοποθετήστε το άλλο παντεσπάνι από πάνω.
11 Απλώστε την υπόλοιπη κρέμα επάνω και διακοσμήστε με τις υπόλοιπες φράουλες.

μαρέγκες

- υλικά ● 4 ασπράδια αβγών
● 250g (9oz) κρυσταλλική ζάχαρη, κοσκινισμένη
● Απλώστε αντικολλητικό χαρτί στο ταψί.
- εκτέλεση 1 Χτυπήστε τα ασπράδια και τη ζάχαρη στη μέγιστη ταχύτητα για περίπου 10 λεπτά έως ότου να στέκεται.
2 Με ένα κουτάλι τοποθετήστε το μίγμα στο ταψί (ή χρησιμοποιήστε μια σακούλα ζαχαροπλαστικής με ακροφύσιο σε σχήμα αστεριού διαμέτρου 2,5cm (1")).
3 Ψήστε στους 110°C/225°F/Με αέριο στο 4 για 4 - 5 ώρες έως ότου γίνουν σκληρές και τραγανές. Εάν αρχίσουν να μαυρίζουν, αφήστε την πόρτα του φούρνου λίγο ανοιχτή.
● Αποθηκεύστε τις μαρέγκες σε ένα αεροστεγές δοχείο.

ζύμη για τάρτες

- υλικά ● 450g (1lb) αλεύρι, κοσκινισμένο με αλάτι
● 5ml (1 κουταλάκι του γλυκού) αλάτι
● 225g (8oz) λίπος (ανακατέψτε λάδι και μαργαρίνη κατευθείαν από το ψυγείο)
● Περίπου 80ml (4tbsp) νερό
- συμβουλή ● Μην ανακατέψετε το μίγμα υπερβολικά πολύ
- εκτέλεση 1 Βάλτε το αλεύρι στο μπολ. Κόψτε το βούτυρο σε κομμάτια και προσθέστε το στο αλεύρι.
2 Χρησιμοποιώντας τον αναδευτήρα σχήματος Κ ανακατέψτε στην ταχύτητα 1 έως ότου η ζύμη να γίνει σαν ψίχουλα.
Σταματήστε το ανακάτεμα πριν αρχίσει να φαίνεται πολύ λιπαρή.
3 Προσθέστε το νερό και ανακατέψτε στην ελάχιστη ταχύτητα. Σταματήστε μόλις το νερό ενσωματωθεί στο μίγμα.
4 Ψήστε τη ζύμη στους 200°C/400°F/Με αέριο στο 6, ανάλογα με τη γέμιση.

μαρινάδα με τσίλι

- υλικά ● 200g (7oz) κρύο διαυγές μέλι (να έχει μείνει στο ψυγείο όλη τη νύχτα)
● 1 πράσινη πιπερίτσα τσίλι (ολόκληρη)
● 5ml (1 κουταλάκι του γλυκού) φυσιολογικό αλάτι με κομματάκια φυσιολογικού
● καρυκεύματα
- εκτέλεση 1 Τοποθετήστε όλα τα υλικά μέσα στον μίνι κόφτη/μύλο.
2 Τοποθετήστε το εξάρτημα στο μίξερ και αφήστε τα υλικά να «καθίσουν» γύρω από τη λεπίδα.
3 Επιλέξτε τη λειτουργία παλμού για 10 δευτερόλεπτα.
4 Συνοδεύστε με ό,τι θέλετε.

ΟΡΟΙ ΕΓΓΥΗΣΕΩΣ

Η εταιρεία KENWOOD HELLAS Μ.Ε.Π.Ε. παρέχει στους καταναλωτές 24 μήνες δωρεάν αποκατάσταση βλάβης συμπεριλαμβανομένων των ανταλλακτικών που θα απαιτηθούν, για τα προϊόντα μικροσυσκευών KENWOOD με τους ακόλουθους όρους:

- Η εγγύηση παρέχεται στον αρχικό αγοραστή της συσκευής και ισχύει από την ημερομηνία αγοράς της συσκευής. Το έντυπο της εγγύησης πρέπει να συμπληρώνεται και να σφραγίζεται στο κατάστημα αγοράς.
- Σε περίπτωση βλάβης της συσκευής, η εταιρεία, κατά την κρίση της, αναλαμβάνει την υποχρέωση επαναφοράς της σε ομαλή λειτουργία.
- Ο πελάτης πρέπει να προσκομίζει, ορθά συμπληρωμένο, το έντυπο της εγγυήσεως μαζί με την Απόδειξη Λιανικής Πώλησης ή φωτοτυπία αυτής.
- Για την αποκατάσταση της βλάβης ο καταναλωτής υποχρεούται να μεταφέρει τη συσκευή στα εργαστήριά μας ή στο πλησιέστερο εξουσιοδοτημένο σέρβις.
- Προσοχή: Πριν από οποιαδήποτε χρήση διαβάστε τις οδηγίες χρήσης.

Η εγγύηση δεν ισχύει όταν:

- Διαπιστωθεί επέμβαση στη συσκευή από άτομα μη εξουσιοδοτημένα.
- Η βλάβη έχει προέλθει από κακό χειρισμό, αμέλεια, πτώση, κτύπημα ή βλάβη κατά τη μεταφορά.
- Η τάση τροφοδοσίας δεν είναι κανονική.
- Ο αριθμός κατασκευής έχει αλλοιωθεί.
- Έχει παραποιηθεί το έντυπο της εγγύησης.
- Διαπιστωθεί λανθασμένη εγκατάσταση της συσκευής.
- Διαπιστωθεί βλάβη από πτώση κερανού μέσω του δικτύου τροφοδοσίας ρεύματος ή του δικτύου λήψεως.
- Η βλάβη οφείλεται σε πτώση ή υπέρταση του δικτύου τροφοδοσίας.

Στις ανωτέρω περιπτώσεις, ο καταναλωτής είναι υποχρεωμένος να καταβάλλει το αντίτιμο για τον έλεγχο της συσκευής, την κατ'οίκον κλήση, και όλα τα έξοδα που θα απαιτηθούν για την επισκευή της.

Προσοχή: Μετά τη λήξη της εγγυήσεως για οποιαδήποτε πρόβλημα επισκευής της συσκευής θα πρέπει να απευθύνεστε πάντοτε στην KENWOOD HELLAS Μ.Ε.Π.Ε., ή στο πλησιέστερο εξουσιοδοτημένο SERVICE της εταιρείας.

Βεβαιωθείτε ότι τα στοιχεία ταυτότητας της συσκευής συμφωνούν με τα αναγραφόμενα στην εγγύησή σας.

ΠΛΗΡΟΦΟΡΙΑΚΑ ΣΤΟΙΧΕΙΑ ΕΓΓΥΗΣΗΣ:

ΟΝΟΜΑΤΕΠΩΝΥΜΟ ΠΕΛΑΤΗ:
ΔΙΕΥΘΥΝΣΗ ΠΕΛΑΤΗ:
ΟΔΟΣ: ΑΡΙΘΜΟΣ:
ΠΟΛΗ: Τ.Κ.: ΤΗΛΕΦΩΝΟ:

ΣΤΟΙΧΕΙΑ ΣΥΣΚΕΥΗΣ:

ΜΑΡΚΑ: ΜΟΝΤΕΛΟ/ΣΕΙΡΑ:
ΑΡΙΘΜΟΣ ΚΑΤΑΣΚΕΥΗΣ: ΣΦΡΑΓΙΔΑ/ΥΠΟΓΡΑΦΗ ΚΑΤΑΣΤΗΜΑΤΟΣ

ΚΑΤΑΣΤΗΜΑ ΑΓΟΡΑΣ: ΗΜΕΡΟΜΗΝΙΑ ΑΓΟΡΑΣ:
ΑΡΙΘΜΟΣ ΔΕΛΤΙΟΥ ΛΙΑΝΙΚΗΣ:

KENWOOD APPLIANCES HELLAS Μ.Ε.Π.Ε.

Έδρα: Χαλάνδρι, Εθνικής Αντιστάσεως 9-11, 152 32 τηλ.: 210 28 54 880, fax.: 210 28 54 888.

Service: 801 11 44 044

www.kenwood.com.gr



HEAD OFFICE: Kenwood Limited, 1-3 Kenwood Business Park, New Lane, Havant, Hampshire PO9 2NH

kenwoodworld.com

KENWOOD

CREATE MORE

KW00800145/2

