

DRAPER[®]

HAND PUSH

LAWN MOWER

84749

These instructions accompanying the product are the original instructions. This document is part of the product, keep it for the life of the product passing it on to any subsequent holder of the product. Read all these instructions before assembling, operating or maintaining this product.

This manual has been compiled by Draper Tools describing the purpose for which the product has been designed, and contains all the necessary information to ensure its correct and safe use. By following all the general safety instructions contained in this manual, it will ensure both product and operator safety, together with longer life of the product itself.

All photographs and drawings in this manual are supplied by Draper Tools to help illustrate the operation of the product.

Whilst every effort has been made to ensure the accuracy of information contained in this manual, the Draper Tools policy of continuous improvement determines the right to make modifications without prior warning.

1. TITLE PAGE

1.1 INTRODUCTION:

USER MANUAL FOR: HAND PUSH LAWN MOWER

Stock No: 84749

Part No: GLM38

1.2 REVISION HISTORY:

Date revised: November 2020.

As our user manuals are continually updated, users should make sure that they use the very latest version.

Downloads are available from: <http://drapertools.com/manuals>

Draper Tools Limited
Hursley Road
Chandler's Ford
Eastleigh
Hampshire
SO53 1YF
UK

Website: drapertools.com

Product help line: +44 (0) 23 8049 4344

General Fax: +44 (0) 23 8026 0784

1.3 UNDERSTANDING THIS MANUAL'S SAFETY CONTENT:

WARNING! – Information that draws attention to the risk of injury or death.

CAUTION! – Information that draws attention to the risk of damage to the product or surroundings.

1.4 COPYRIGHT © NOTICE:

Copyright © Draper Tools Limited.

Permission is granted to reproduce this publication for personal and educational use only. Commercial copying, redistribution, hiring or lending is prohibited.

No part of this publication may be stored in a retrieval system or transmitted in any other form or means without written permission from Draper Tools Limited.

In all cases this copyright notice must remain intact.

2. CONTENTS

2.1 CONTENTS

1. TITLE PAGE	
1.1 INTRODUCTION	2
1.2 REVISION HISTORY	2
1.3 UNDERSTANDING THIS MANUAL'S SAFETY CONTENT	2
1.4 COPYRIGHT® NOTICE	2
2. CONTENTS	
2.1 CONTENTS	3
3. WARRANTY	
3.1 WARRANTY	4
4. HEALTH AND SAFETY INFORMATION	
4.1 GENERAL SAFETY INSTRUCTIONS.....	5
5. TECHNICAL DESCRIPTION	
5.1 IDENTIFICATION	6
6. UNPACKING AND CHECKING	
6.1 PACKAGING.....	6
7. PREPARING THE LAWN MOWER	
7.1 HANDLE ASSEMBLY	7
7.2 ATTACHING THE HANDLE TO THE MOWER BASE	7
7.3 ATTACHING THE GRASS CATCHER TO THE MOWER BASE	7

3. WARRANTY

3.1 WARRANTY

Draper tools have been carefully tested and inspected before shipment and are guaranteed to be free from defective materials and workmanship.

Should the tool develop a fault, please return the complete tool to your nearest distributor or contact:

Draper Tools Limited, Chandler's Ford, Eastleigh, Hampshire, SO53 1YF. England.

Telephone Sales Desk: +44 (0)23 8049 4333 or:

Product Helpline +44 (0)23 8049 4344.

A proof of purchase must be provided.

If upon inspection it is found that the fault occurring is due to defective materials or workmanship, repairs will be carried out free of charge. This warranty period covering labour is 12 months from the date of purchase except where tools are hired out when the warranty period is 90 days from the date of purchase. The warranty is extended to 24 months for parts only. This warranty does not apply to any consumable parts, any type of battery or normal wear and tear, nor does it cover any damage caused by misuse, careless or unsafe handling, alterations, accidents, or repairs attempted or made by any personnel other than the authorised Draper warranty repair agent.

Note: If the tool is found not to be within the terms of warranty, repairs and carriage charges will be quoted and made accordingly.

This warranty applies in lieu of any other warranty expressed or implied and variations of its terms are not authorised.

Your Draper warranty is not effective unless you can produce upon request a dated receipt or invoice to verify your proof of purchase within the warranty period.

Please note that this warranty is an additional benefit and does not affect your statutory rights.

Draper Tools Limited

4. HEALTH AND SAFETY INFORMATION

4.1 GENERAL SAFETY INSTRUCTIONS

Common sense and a respect for the tool will help reduce the risk of injury.

WARNING!: Read the instruction manual fully. Do not attempt any operation until you have read and understood this manual. Failure to follow all instructions listed below may result in serious personal injury.

SAVE THESE INSTRUCTIONS!

WARNING!: Blades are extremely sharp! to avoid injury, be very careful not to touch the blades.

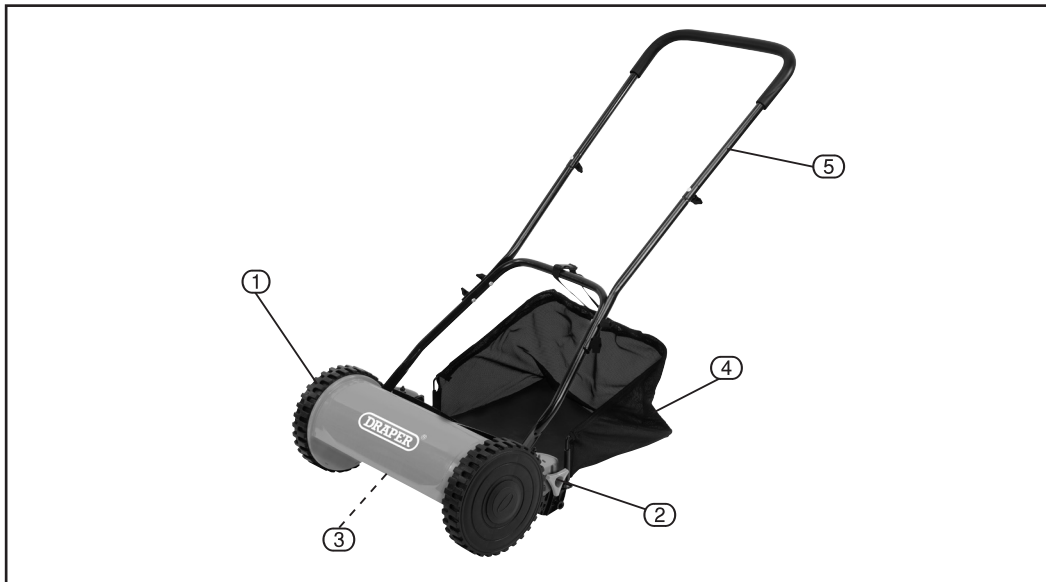
IMPORTANT SAFETY INSTRUCTIONS

1. Never place hands, fingers or feet inside the mower. The mower is not motor-powered, but when the wheels turn, the blades spin and will cut.
2. Never mow when grass is wet enough to be slippery.
3. Always wear protective footwear. Do not use mower while barefoot or wearing sandals.
4. Walk behind, never run, whilst using the mower. Always make sure of footing when using the mower.
5. Keep the lawn mower away from small children, pets and other small wildlife.
6. Never hit trees, fences etc. This can cause injuries or damage the mower.
7. Make sure mower is in safe operating condition. Do not attempt to operate the mower if it is damaged.
8. Keep the mower out of the reach of children and animals.
9. Keep hair, clothing, fingers and all parts of the body clear of moving parts.
10. Dress properly! Do not wear loose clothing or jewellery which can be caught by moving parts. Use of non-slip footwear is recommended.
11. To reduce the risk of injury, do not use any other accessories or attachments with this product other than those described in this manual.
12. This mower is designed for use on residential lawns. It is not designed for commercial use or for use in public facilities, parks, sporting grounds, roads, or in agriculture or forestry areas.
13. This mower is for cutting lawns only. Any other application is considered mis-use.

WARNING!: The warnings, cautions and instructions in this manual cannot cover all possible conditions and situations that may occur.

5. TECHNICAL DESCRIPTION

5.1 IDENTIFICATION



- ① Wheel
- ② Cutting height adjustment bracket
- ③ Cutting assembly
- ④ Grass collection bag
- ⑤ Handle

6. UNPACKING AND CHECKING

6.1 PACKAGING

Carefully remove the product from the packaging and examine it for any sign of damage that may have happened during shipping. Lay the contents out and check them against the parts shown above. If any part is damaged or missing, please contact the Draper Help Line (the telephone number appears on the Title page) and do not attempt to use the product.

The packaging material should be retained at least during the warranty period, in case the machine needs to be returned for repair.

Warning!

Some of the packaging materials used may be harmful to children. Do not leave any of these materials in the reach of children.

If any of the packaging is to be thrown away, make sure they are disposed of correctly, according to local regulations.

7. PREPARING THE LAWN MOWER

7.1 HANDLE ASSEMBLY – FIG. 1

Note: Do not completely tighten bolts until assembly is complete.

- Insert the two centre handles (5.2) into the left and right sides of the top handle (5.1).
- Secure into place with two knobs (5.4) and screws (5.5).
- Attach the sides of the top handle (5.1) sub-assembly to the sides of bottom handle sub-assembly.
- Use four knobs (5.4) and screws (5.5).
- Tighten all wing nuts and bolt sets on the handle assembly.

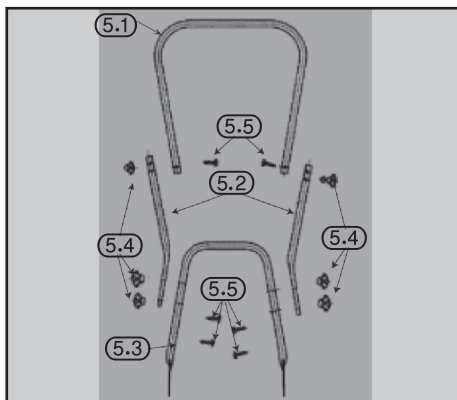


FIG. 1

7.2 ATTACHING THE HANDLE TO THE MOWER BASE – FIG. 2

- Align holes at the lower end of each handle arm with the short posts (1.1) extending from the mower base side plates.
- Squeezing handle arms together slightly, slide the lower ends of the handle arms onto the posts.

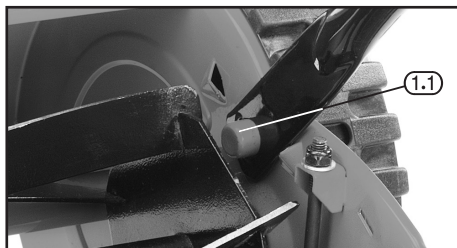


FIG. 2

7.3 ATTACHING THE GRASS CATCHER TO THE MOWER BASE - FIGS. 3 & 4

Note: The mower can be used with or without the grass catcher.

- Hook the grass box wire frame (4.1) over the height adjustment bracket on both sides.
- Adjust the strap length to hold the grass box off the ground, then clip around the bottom handle (5.3).

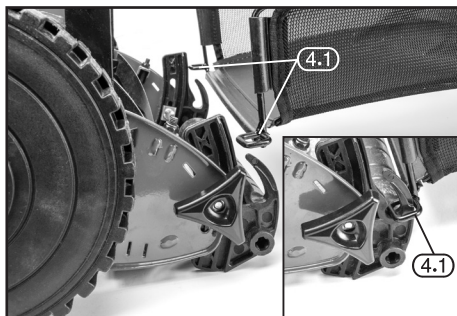


FIG. 3



FIG. 4

CONTACTS

Draper Tools Limited, Hursley Road,
Chandler's Ford, Eastleigh, Hampshire. SO53 1YF. U.K.

Help line: (023) 8049 4344

Sales desk: (023) 8049 4333

Internet: drapertools.com

E-mail: sales@drapertools.com

General enquiries: (023) 8026 6355

Service/Warranty Repair Agent:

For aftersales servicing or warranty repairs, please contact the Draper Tools help line for details of an agent in your local area.

YOUR DRAPER STOCKIST

SRDH1120

©Published by Draper Tools Limited.

No part of this publication may be reproduced, stored in a retrieval system or transmitted in any form or by any means, electronic, mechanical photocopying, recording or otherwise without prior permission in writing from Draper Tools Ltd.