

SEARS

owner's manual

Model
C950-52119-3
9-H.P. 27 inch

CAUTION:

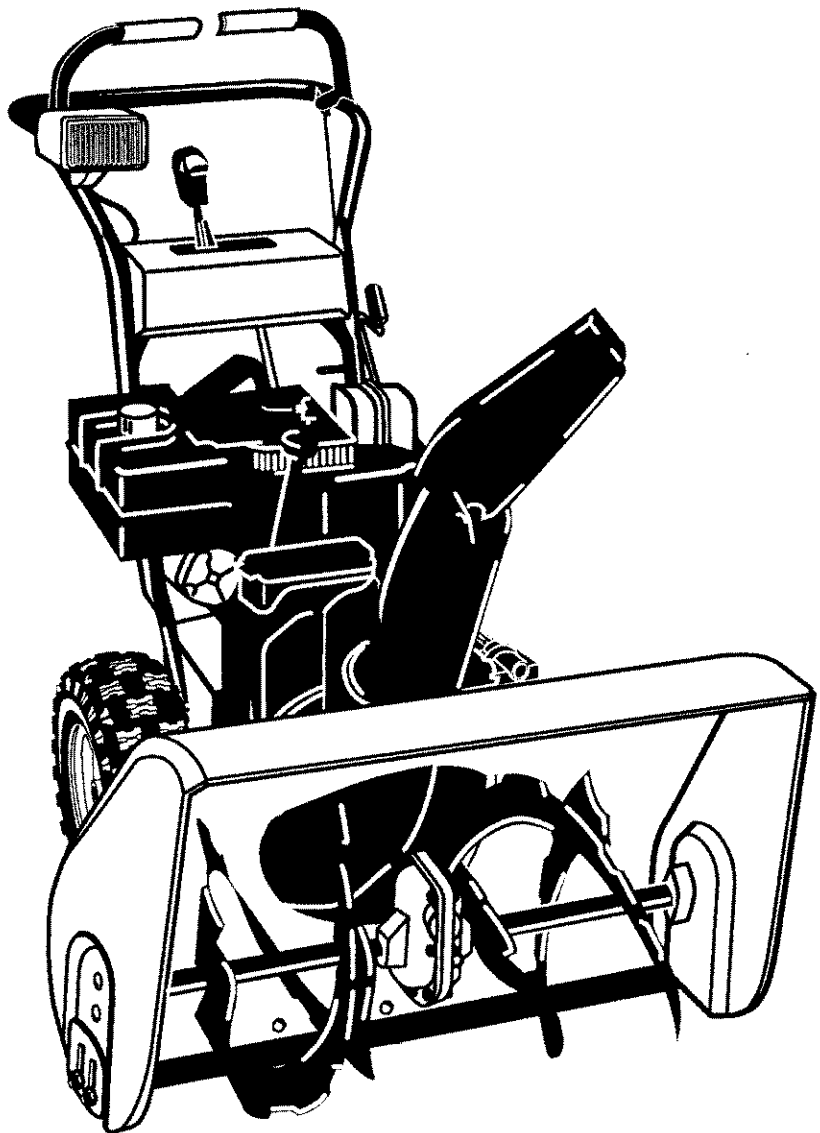
You must read and understand this owner's manual before operating unit.

Serial No. _____

SEARS

CRAFTSMAN

DUAL STAGE SNOW BLOWER



RULES FOR SAFE OPERATION

IMPORTANT



WARNING: Always disconnect the spark plug wire and place it where it cannot make contact with spark plug to prevent accidental starting during: Preparation, Maintenance, or Storage of your snow blower.



SAFE OPERATION PRACTICES FOR WALK-BEHIND SNOW BLOWER DO NOT OPERATE THIS EQUIPMENT BEFORE READING THIS MANUAL



WARNING:



Engine Exhaust, some of its constituents, and certain vehicle components contain or emit chemicals known to the State of California to cause cancer and birth defects or other reproductive harm.

Battery posts, terminals and related accessories contain lead and lead compounds, chemicals known to the State of California to cause cancer and birth defects or other reproductive harm. WASH HANDS AFTER HANDLING.

TRAINING

1. Read the operating and service instruction manual carefully. Be thoroughly familiar with the controls and the proper use of the equipment. Know how to stop the unit and disengage the controls quickly.
2. Never allow children to operate the equipment. Never allow adults to operate the equipment without proper instruction.
3. Keep the area of operation clear of all persons, particularly small children and pets.
4. Exercise caution to avoid slipping or falling especially when operating in reverse.

PREPARATION

1. Thoroughly inspect the area where the equipment is to be used and remove all doormats, sleds, boards, wires, and other foreign objects.
2. Disengage all clutches before starting the engine.
3. Do not operate the equipment without wearing adequate winter outer garments. Wear footwear that will improve footing on slippery surfaces.
4. Handle fuel with care; it is highly flammable.
 - (a) Use an approved fuel container.
 - (b) Never add fuel to a running engine or hot engine.

(c) Fill fuel tank outdoors with extreme care. Never fill fuel tank indoors.

(d) Replace gasoline cap securely and wipe up spilled fuel.

5. For all units with electric starting motors use electric starting extension cords certified CSA/UL. Use only with a receptacle that has been installed in accordance with local inspection authorities.
6. Adjust the auger housing height to clear gravel or crushed rock surface.
7. Under no circumstances should any adjustments be made while the engine is running (except when specifically recommended by manufacturer).
8. Let engine and machine adjust to outdoor temperatures before starting to clear snow.
9. Always wear safety glasses or eye shields during operation or while performing an adjustment or repair to protect eyes from foreign objects that may be thrown from the machine.

OPERATION

1. Do not put hands or feet near or under rotating parts. Keep clear of the discharge opening at all times.
2. Exercise extreme caution when operating on or crossing gravel drives, walks or roads. Stay alert for hidden hazards or traffic.
3. Never discharge snow onto public roads or near moving traffic.
4. After striking a foreign object, stop the engine, remove the wire from the spark plug, thoroughly inspect snow blower for any damage, and repair the damage before re-starting and operating the snow blower.
5. If the unit should start to vibrate abnormally, stop the engine and check immediately for the cause. Vibration is generally a warning of trouble.
6. Stop the engine and remove spark plug wire whenever you leave the operating position, before unclogging the auger/impeller housing or discharge chute and when making any repairs, adjustments, or inspections.
7. When cleaning, repairing, or inspecting, make certain the auger/impeller and all moving parts have stopped and all controls are disengaged. Disconnect the spark plug wire and keep the wire away from the spark plug to prevent accidental starting.

RULES FOR SAFE OPERATION

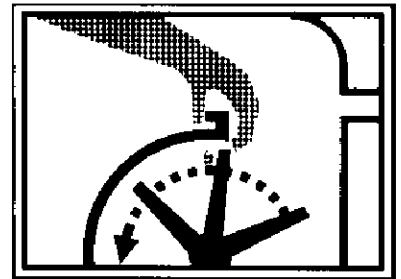
8. Take all possible precautions when leaving the snow blower unattended. Disengage the auger/ impeller, shift to neutral, stop engine, and remove key.
9. Do not run the engine indoors, except when starting the engine and for transporting the snow blower in or out of the building. Ensure the outside doors are open; exhaust fumes are dangerous.
10. Do not clear snow across the face of slopes. Exercise extreme caution when changing direction on slopes. Do not attempt to clear steep slopes.
11. Never operate the snow blower without proper guards, plates or other safety protective devices in place.
12. Never operate the snow blower near enclosures, automobiles, window wells, drop-offs, and the like without proper adjustment of the snow discharge angle. Keep children and pets away.
13. Do not overload the machine capacity by attempting to clear snow at too fast a rate.
14. Never operate the machine at high transport speeds on slippery surfaces. Look behind and use care when backing up.
15. Never direct discharge at bystanders or allow anyone in front of the unit.
16. Disengage power to the collector/impeller when snow blower is transported or not in use.
17. Use only attachments and accessories approved by the manufacturer of the snow blower (such as wheel weights, counterweights, cabs, and the like).
18. Never operate the snow blower without good visibility or light. Always be sure of your footing and keep a firm hold on the handles.
19. Do not over-reach. Keep proper footing and balance at all times.
20. Do not attempt to use snow blower on a roof.

MAINTENANCE AND STORAGE

1. Check shear bolts and other bolts at frequent intervals for proper tightness to be sure the equipment is in safe working condition.
2. Never store the machine with fuel in the tank inside a building where ignition sources are present such as hot water and space heaters, clothes dryers, and the like. Allow the engine to cool before storing in any enclosure.
3. Always refer to operator's guide instructions for important details if the snow blower is to be stored for an extended period.
4. Maintain or replace safety and instruction labels, as necessary.
5. Run the machine 2 minutes with auger clutch lever engaged after blowing snow to prevent freeze-up of the auger/impeller.



WARNING: Do not use hands to unclog discharge chute.



- Stop engine/motor before removing debris.
- Do not walk in front of running machine.
- Do not discharge at bystanders.
- Keep people and pets a safe distance from the machine.
- Before leaving machine, shut off engine/ motor and remove key.



WARNING: Avoid injury from rotating auger— keep hands, feet, and clothing away.



OWNER'S INFORMATION

DATE PURCHASED: _____
MODEL NO: _____
SERIAL NO: _____
STORE WHERE PURCHASED: _____
ADDRESS: _____
CITY: _____ PROVINCE: _____
TELEPHONE : _____

Record this information about your unit so that you will be able to provide it in case of loss or theft.

Horse Power	9 HP
Gasoline Capacity	4 quarts (4 litre)
Oil Capacity (5W30)	26 oz. (.77 litre)
Spark Plug: (Gap .030 in.)	Champion RJ19LM
Tire Pressure	*
* See side of the tire for maximum inflation. Do not exceed the maximum pressure on the tire wall.	

MAINTENANCE AGREEMENT

The Craftsman Warranty, plus a Maintenance Agreement, provide maximum value for Sears products. Contact your nearest Sears store for details.

CUSTOMER RESPONSIBILITIES

Read and observe the safety rules.

Follow a regular schedule in maintaining, caring for and using your snow blower.

Follow the instructions under "Customer Responsibilities" and "Storage" sections of this owner's manual.

WHEELED SNOW BLOWER

LIMITED TWO (2) YEAR WARRANTY ON CRAFTSMAN SNOW BLOWER

For two (2) years from date of purchase, Sears Canada Inc. will repair or replace free of charge, at Sears option, parts which are defective as a result of material or workmanship.

COMMERCIAL OR RENTAL USE:

Warranty on snow blower will be 90 days from date of purchase if used for commercial or rental purposes.

THIS WARRANTY DOES NOT COVER:

1. Pre-delivery set-up.
2. Expendable items which become worn during normal use, such as belts, spark plugs, filter, shear pins as well as damages to the engine resulting from operating the snow blower with insufficient oil.
3. Tire replacement or repair caused by punctures from outside objects, such as nails, thorns, stumps or glass.
4. In home service.

Warranty service is available by returning the Craftsman snow blower to the nearest Sears Service Centre/Department in Canada. This warranty applies only while this product is in use in Canada.

This warranty is in addition to any statutory warranty and does NOT exclude or limit legal rights you may have but shall run concurrently with applicable provincial legislation. Furthermore, some provinces do not allow limitations on how long an implied warranty will last so the above limitations may not apply to you.

SEARS CANADA INC., TORONTO, ONTARIO M5B 2B8

TABLE OF CONTENTS

RULES FOR SAFE OPERATION	2	SERVICE RECOMMENDATIONS	19
OWNER'S INFORMATION	4	CUSTOMER RESPONSIBILITIES	20
ASSEMBLY	6	SNOW BLOWER	20
TOOLS REQUIRED FOR ASSEMBLY	6	AS REQUIRED	20
CONTENTS OF SHIPPING CARTON	6	LUBRICATION AT STORAGE	20
PARTS BAGS CONTENTS:	6	LUBRICATION – EVERY 10 HOURS	20
UNPACKING	7	LUBRICATION – EVERY 25 HOURS	21
UPPER HANDLE AND CRANK ASSEMBLY	8	ENGINE	22
CHECK THE CABLES	8	ADJUSTMENT / REPAIR	23
HOW TO SET THE LENGTH OF THE CABLES	8	AUGER HOUSING HEIGHT ADJUSTMENT	23
SPEED SELECT LEVER	9	TO ADJUST SCRAPER BAR	23
SNOW CHUTE ASSEMBLY	10	TO ADJUST SKID HEIGHT	23
HEADLIGHT ASSEMBLY	10	BELT ADJUSTMENT	24
OPERATION	11	HOW TO REMOVE THE AUGER DRIVE BELT	25
OPERATING CONTROLS	11	HOW TO REMOVE THE TRACTION DRIVE BELT	26
SNOW BLOWER OPERATION	12	BELT GUIDE ADJUSTMENT	27
WHEEL LOCK OUT PIN	13	HOW TO CHECK AND ADJUST THE CABLES	27
BEFORE STARTING ENGINE	14	HOW TO ADJUST OR REPLACE THE FRICTION WHEEL	29
CHECK THE OIL	14	AUGER SHEAR BOLT REPLACEMENT	32
FILL GAS	14	STORAGE	33
BEFORE STOPPING THE ENGINE	14	TROUBLE SHOOTING CHART	34
TO START ENGINE	15	REPAIR PARTS	35
OPERATING TIPS	18	PARTS ORDERING SERVICE	62



ASSEMBLY

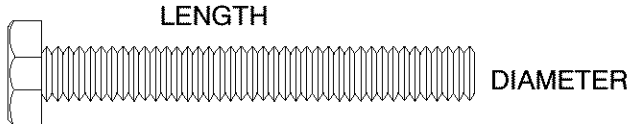
TOOLS REQUIRED FOR ASSEMBLY

- 1 – Knife
- 2 – 1/2" wrenches (or adjustable wrenches)
- 2 – 9/16" wrenches (or adjustable wrenches)
- 2 – 3/4" wrenches (or adjustable wrenches)
- 1 – 3/8" wrench (or adjustable wrench)
- 1 – Pair pliers or screw driver (to spread cotter pin)

CONTENTS OF SHIPPING CARTON

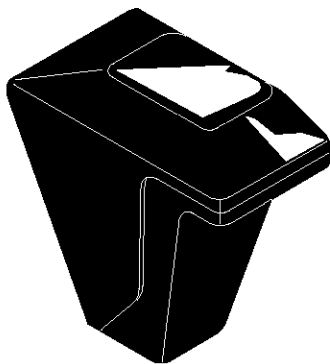
- 1– Snow Blower
- 1– Container of Fuel Stabilizer
- 1– Snow Chute Assembly
- 1– Crank Assembly
- 1– Parts Bag

HOW TO MEASURE SCREW SIZE

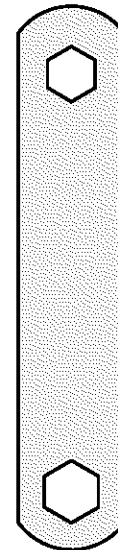


WARNING: Always wear safety glasses or eye shields while assembling snow blower.

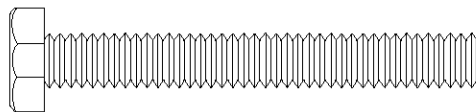
PARTS BAGS CONTENTS:



1– Shifter Knob



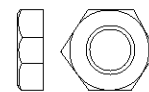
* 2 – Wrenches



* 2–1/4–20 x 1.75



* 2–Spacer



* 2–1/4–20
Hex nut

*Non Assembly parts are found in toolbox located on top of belt cover.

ASSEMBLY

Figure 1 shows the snow blower in the shipping position.

Figure 2 shows the snow blower completely assembled.

Reference to right and left hand side of the snow blower is from the operator's position at the handle.

UNPACKING

1. Locate the two tear tabs at the bottom of the carton.
2. Pull the tear tape no more than twelve inches (30.48cm.) at a time. Re-grasp tape next to the carton and pull again. Repeat until all the tape is torn off.
3. After the tape has been completely removed from the carton, remove the carton from the base. Cut all four corners and fold the sides toward the center for easy disposal.
4. Remove the plastic bag that covers the unit.
5. Locate and remove the the parts bag.

NOTE: Set the fuel stabilizer aside until adding gasoline to the fuel tank. We recommend that fuel stabilizer is added to the fuel each time that gasoline is added to the fuel tank.

6. For shipping purposes, the **height adjust skids** are attached to the pallet. Remove the **screw** that secures each **height adjust skid** to the pallet. (See Figure 2).
7. Roll the snow blower off the carton by pulling on the lower handle.

CAUTION: DO NOT back over cables.

8. Remove the packing material from the handle assembly.
9. Cut ties securing the clutch control cables to the lower handle.

NOTE: If the cables have become disconnected from the clutch levers, reinstall the cables as shown in Figure 3.

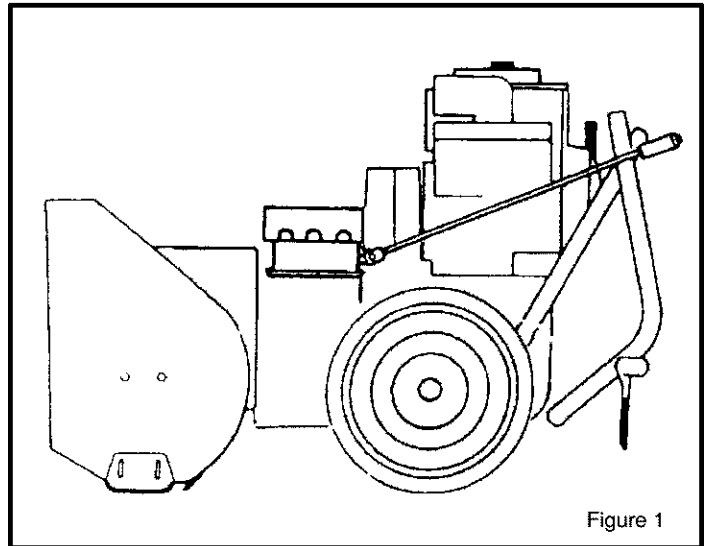


Figure 1

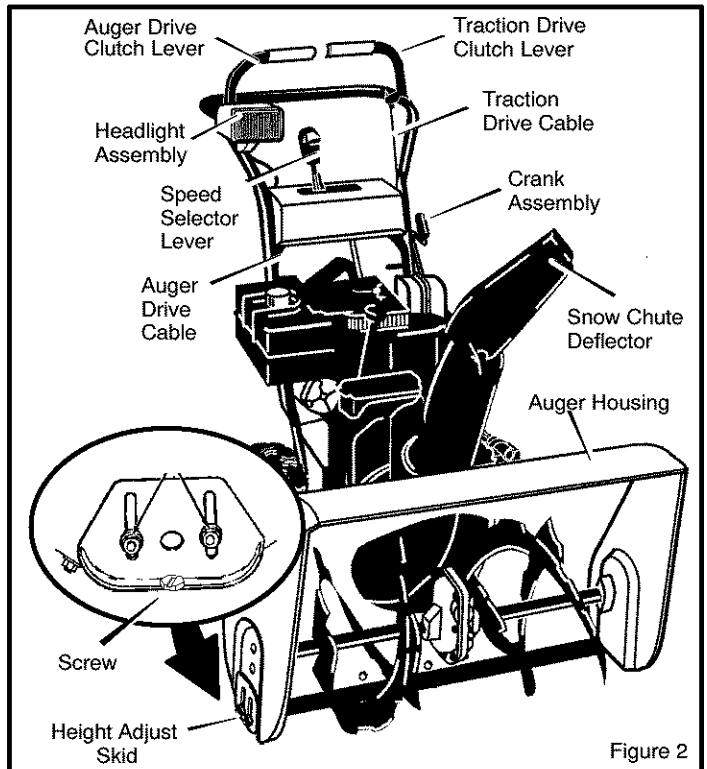


Figure 2

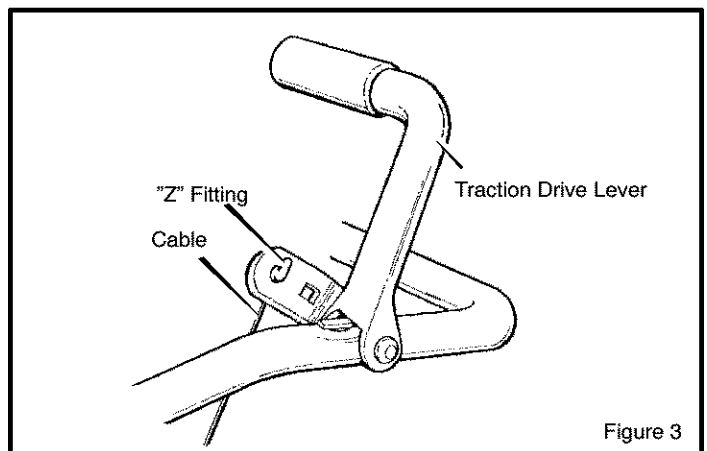


Figure 3

ASSEMBLY

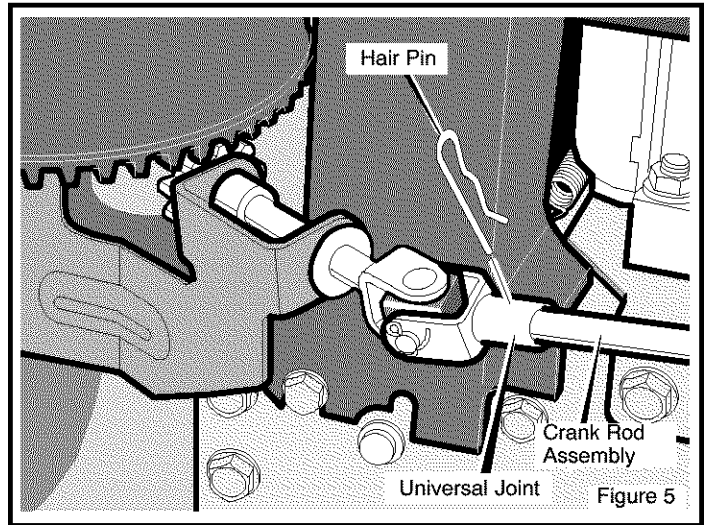
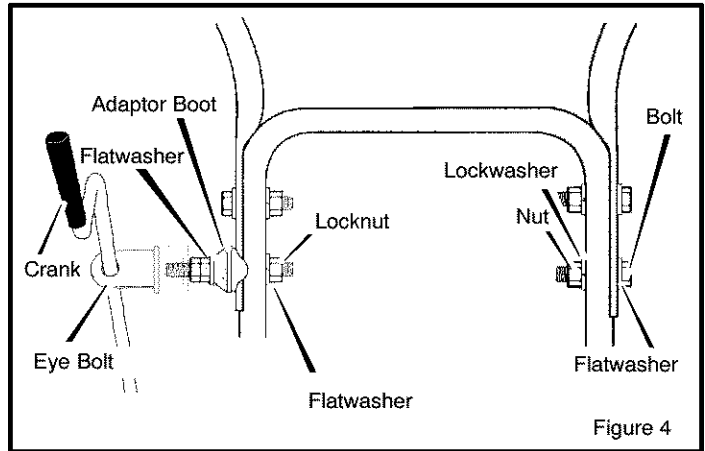
UPPER HANDLE AND CRANK ASSEMBLY

1. Loosen, but do not remove the screws, flatwashers, lockwashers and hex nuts in the upper holes of the lower handle.
2. Remove the fasteners and the crank assembly eyebolt from the lower holes of the lower handle.
3. Raise upper handle into operating position. Upper handle should be to the outside of the lower handle.

NOTE: Make sure the cables are not caught between the upper and lower handle.

4. Install the fasteners and the crank assembly eyebolt that were removed in step 2. DO NOT tighten until all fasteners are in place.
5. Attach the crank rod to the universal joint assembly with the hair pin (see Figure 5).
6. Tighten nut on eye bolt. Make sure eye bolt is properly aligned and the crank can freely rotate.
7. Tighten all handle bolts.

NOTE: Make sure crank does not touch carburetor cover.

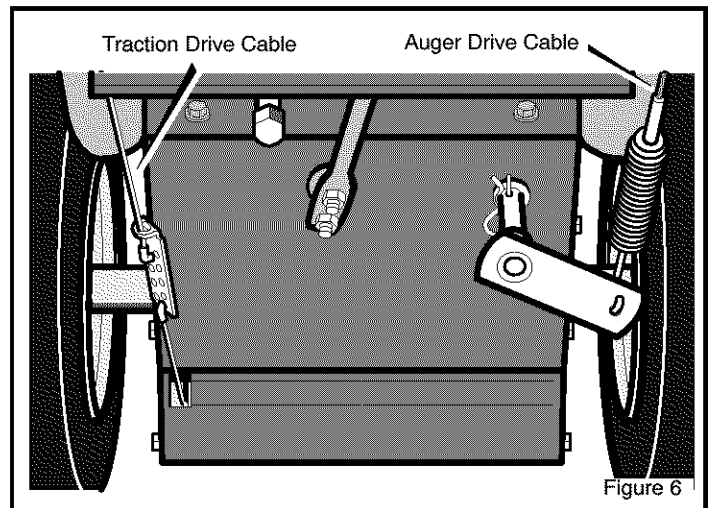


CHECK THE CABLES

1. If control cables have become unattached from motor mount frame, reconnect cables as shown in Figure 6.
2. For cable adjustments, see "How To Check And Adjust The Cables" in the ADJUSTMENT/REPAIR section.

HOW TO SET THE LENGTH OF THE CABLES

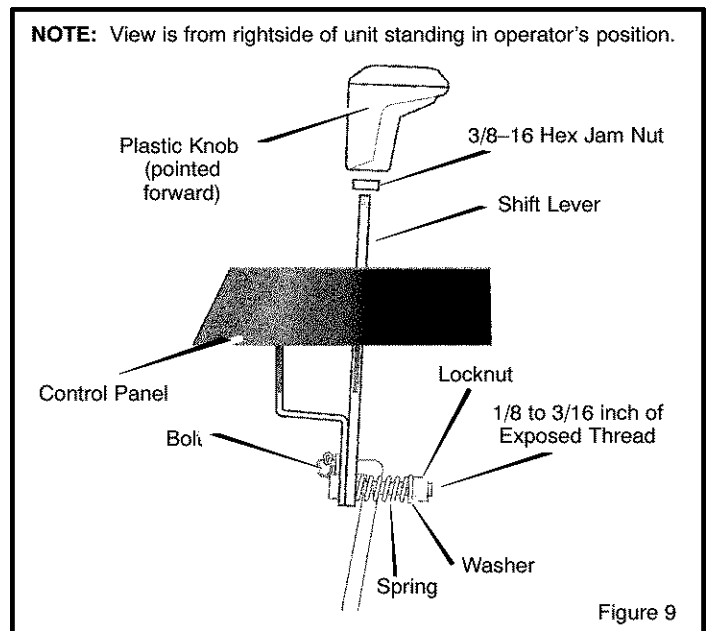
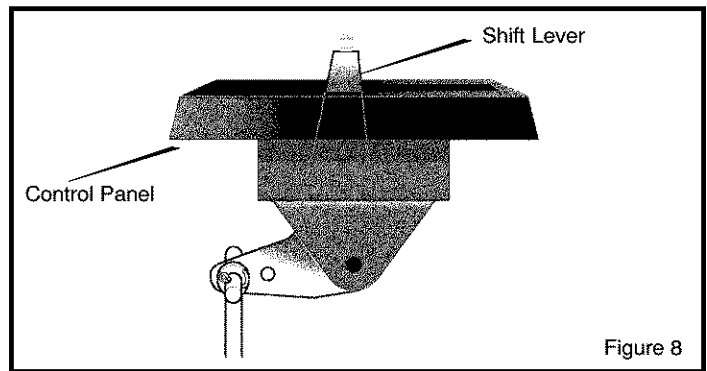
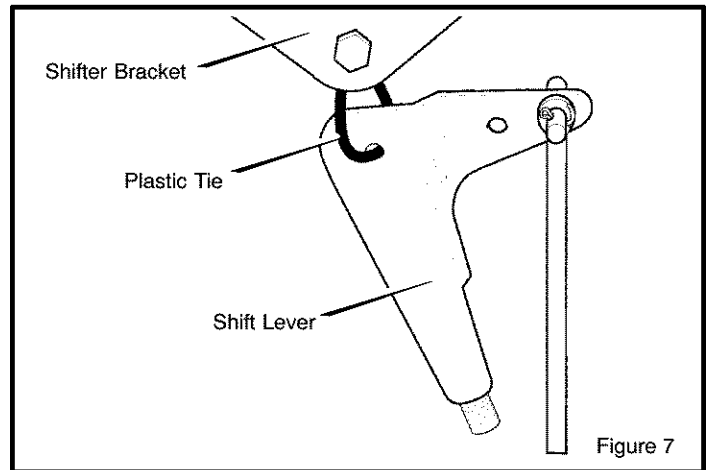
The cables were adjusted at the factory and no adjustments should be necessary. However, after the handles are put in the operating position, the cables can be too tight or too loose. If an adjustment is necessary, see "How To Check And Adjust The Cables" in the Service And Adjustment section.



ASSEMBLY

SPEED SELECT LEVER

1. Cut plastic tie securing speed select lever assembly to the shifter bracket. (See Figure 7)
2. Remove locknut, washer, spring, and the bolt. (See Figure 9)
3. Position speed selector lever assembly as shown in Figure 8.
4. Reinstall bolt, spring, washer and locknut. (See Figure 9)
5. Tighten locknut until 1/8 to 3/16 inch of the bolt threads protrude past the locknut.
6. Thread the plastic knob as far as possible and ensure that the knob points forward.
7. Tighten the 3/8-16" hex jam nut against the knob securely.
8. Move shifter through all speeds to ensure proper tension of the spring. If shifter lever sticks in any of the notches, loosen locknut 1/2 turn at a time until shifter lever moves more freely.
9. If adjustment of speed of snow blower is needed, refer to "Friction Wheel Adjustment" in the ADJUSTMENT/REPAIR section.

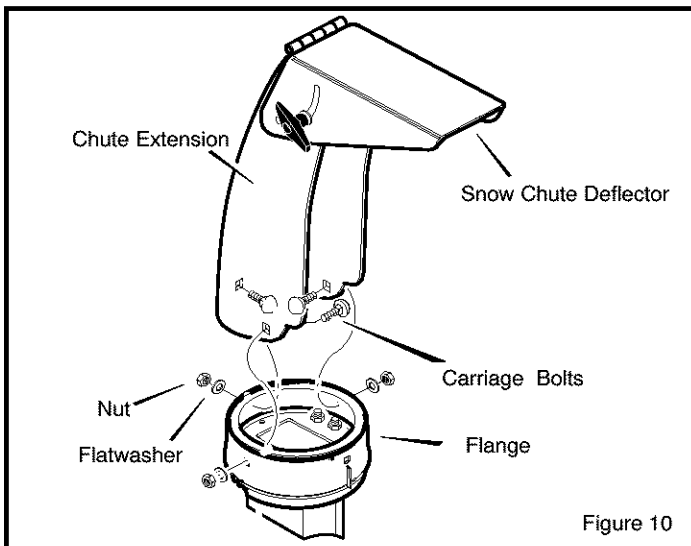


ASSEMBLY

SNOW CHUTE ASSEMBLY

1. Position the snow chute onto the snow chute flange. Align the three holes in the snow chute with holes in snow chute flange. (See Figure 10)
2. Place three 5/16–18 carriage bolts from inside of chute as shown in Figure 10.
3. Place three 5/16–18 flatwashers and three 5/16–18 nuts on outside of flange.
4. Tighten all carriage bolts securely.

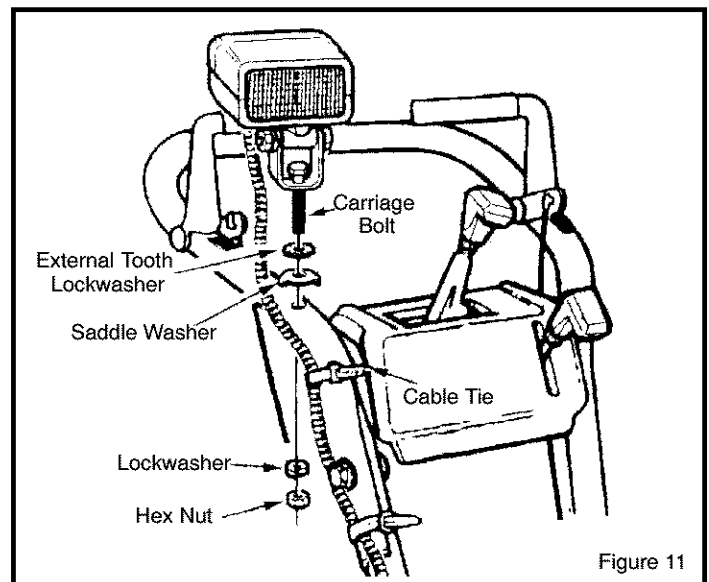
NOTE: DO NOT overtighten carriage bolts.



HEADLIGHT ASSEMBLY

The headlight is mounted on the right side of the upper handle. It is installed upside-down for shipping purposes.

1. Remove the nut and lock washer from the carriage bolt.
2. Turn the headlight to the top side of the upper handle. Ensure external tooth lock washer and saddle washer are in place as shown in Figure 11.
3. Install the nut and lock washer to secure the headlight to the handle. The headlight should point toward the snow clearing path.



CHECK THE TIRES

The tires were over inflated for shipment. Check the tire pressure in the tires. See the sidewall of the tire for the proper inflation.

IMPORTANT! BEFORE YOU START OPERATING

- Check the fasteners. Make sure all fasteners are tight.
- On electric start models, the unit was shipped with the starter cord plugged into the engine. Before operating, unplug the starter cord from the engine.

NOTE: This snow blower was shipped WITH OIL in the engine. See "Before Starting Engine" instructions in the Operation section of this manual before starting engine.

OPERATION

Get to know your snow blower and its controls. Be sure you (or any other operator) have read and understood the Operation Precautions listed on page 2 of this manual.

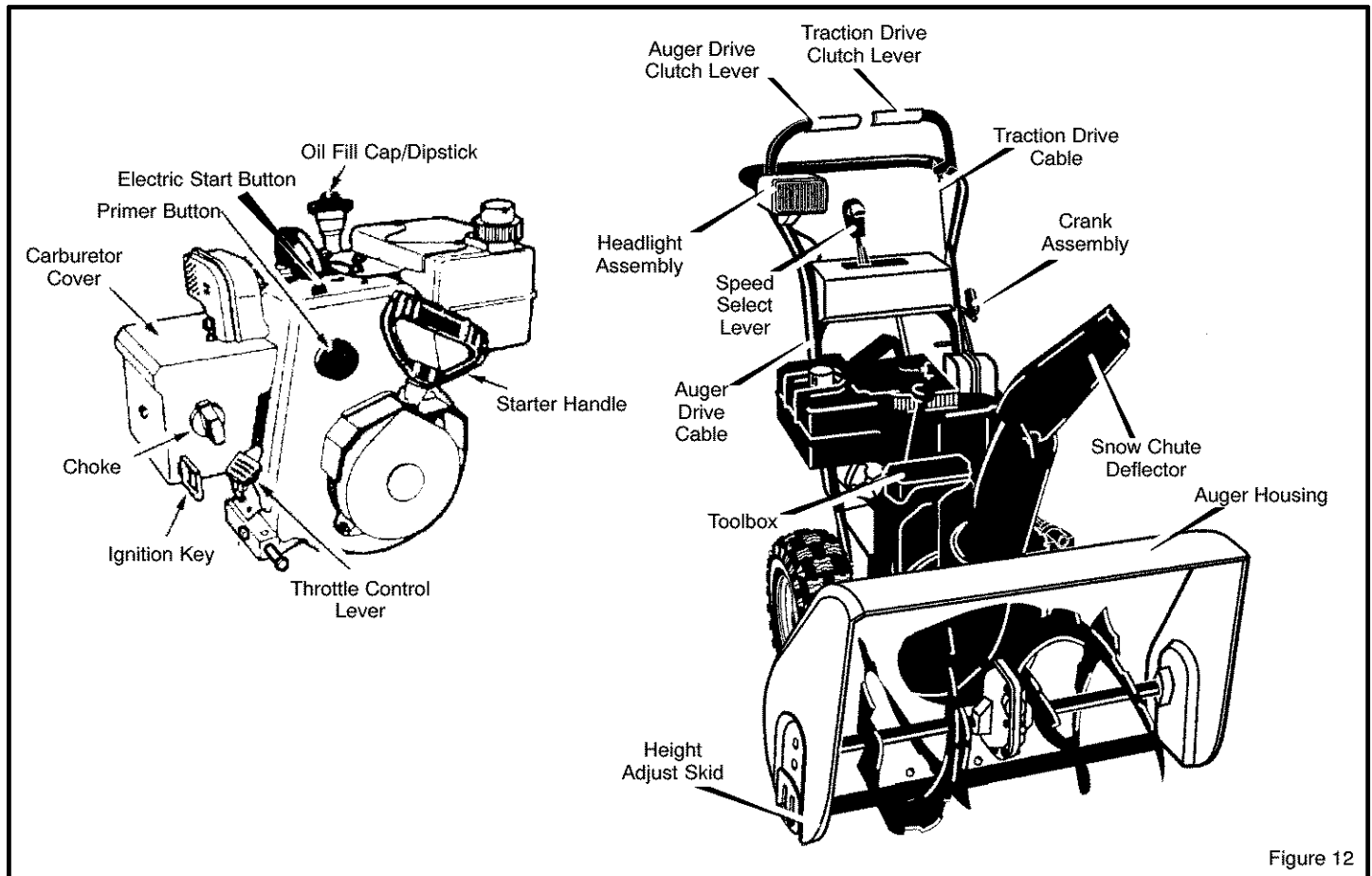


Figure 12

ENGINE AND SNOW BLOWER OPERATING CONTROLS

The engine operating controls and their functions are as follows:

Throttle Control Lever – This snow blower is equipped with an engine mounted throttle control lever used to start a cold engine.

Choke Lever– Set choke lever to ON CHOKE position to start a cold engine.

Electric Start Button– Used to start the engine using the 120 volt electric starter.

Prime Button– Used to inject fuel directly into carburetor manifold to insure fast starts in cool weather.

Ignition Key– Must be inserted into ignition key slot to start engine. Pull out to stop. Do not turn ignition key.

Starter Handle– Starts the engine manually.

The snow blower operating controls and their functions are as follows:

Speed Select Lever– Allows the operator to use one of six (6) forward and two (2) reverse speeds. To shift, move speed select lever to desired position.

NOTE: Do not move speed select lever while Traction Drive Clutch is engaged. This may result in severe damage to drive system.

Auger Drive Clutch Lever– Used to engage and disengage the auger and impeller. To engage push down, to disengage release.

Traction Drive Clutch Lever– Used to propel snow blower forward or reverse. Push down to engage, release to disengage.

Snow Chute Deflector– Changes the direction the snow is blown.

Crank– Used to change direction of the snow discharge. Turn handle clockwise to turn chute to right. Turn handle counter clockwise to turn chute to left.

Height Adjust Skid– Used to adjust ground clearance of auger housing (see To Adjust Skid Height in the Adjustment/Repair section of this manual).

Toolbox – Spare shear pins, shear bolt wrenches and spacers are located in toolbox.

OPERATION



The operation of any snow blower can result in foreign objects being thrown into the eyes, which can result in severe eye damage. Always wear safety glasses or eye shields before beginning snow blower operation. We recommend standard safety glasses or Wide Vision Safety Mask for over spectacles.

SNOW BLOWER OPERATION

The most effective use of the snow blower will be established by experience, taking into consideration the terrain, wind conditions and building location which will determine the direction of the discharge chute.

NOTE: Do not blow snow towards a building as hidden objects could be blown with sufficient force to cause damage.

1. Start the engine as described in section "To Start Engine" (see Page NO TAG).
2. Adjust snow chute deflector. Loosen wing nut on the side of the snow chute and raise chute deflector for more distance. Tighten wing nut. (see Figure 14).
3. Using crank, position the discharge chute to discharge snow with the wind.
4. Select proper speed for snow conditions as outlined below and set speed select lever to desired position.

NOTE: Always release traction drive clutch lever before moving speed select lever.

Ground speed is determined by snow conditions. Select the speed you desire by moving the speed selector into the appropriate area on the control panel.

- | | |
|-----|--------------------------------|
| 1-2 | Wet, Heavy, Slushy, Extra Deep |
| 3 | Moderate |
| 4-5 | Very Light |
| 6 | Transport Only |

NOTE: When clearing wet, heavy snow, it is recommended that the ground speed of the unit be reduced, maintain full throttle and do not attempt to clear the full width of the unit.

For additional operating instructions see "Operating Tips" in this section of the manual.

5. Engage auger drive clutch lever (right hand—Figure 15).

IMPORTANT: Be sure front of unit is clear of bystanders or obstacles before operating.

6. Engage traction drive clutch lever (left hand—Figure 15). As the snow blower starts to move, maintain a firm hold on the handles and guide the snow blower along the cutting path. Do not attempt to push the snow blower.



WARNING: Read Owner's Manual before operating machine. This machine can be dangerous if used carelessly.

Never operate the snow blower without all guards, covers, and shields in place.

Never direct discharge towards windows or allow bystanders near machine while engine is running.

Stop the engine whenever leaving the operating position.

Disconnect spark plug before unclogging the impeller housing or the discharge chute and before making repairs or adjustments.

When leaving the machine, remove the ignition key.

To reduce the risk of fire, keep the machine clean and free from spilled gas, oil and debris.

ENGINE WILL NOT START UNLESS IGNITION KEY IS INSERTED INTO IGNITION SLOT IN CARBURETOR COVER. DO NOT TURN IGNITION KEY.

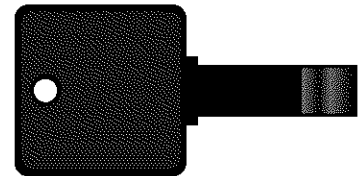


Figure 13

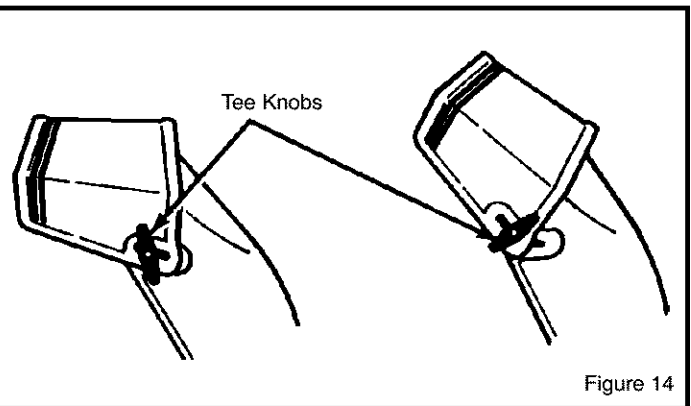


Figure 14

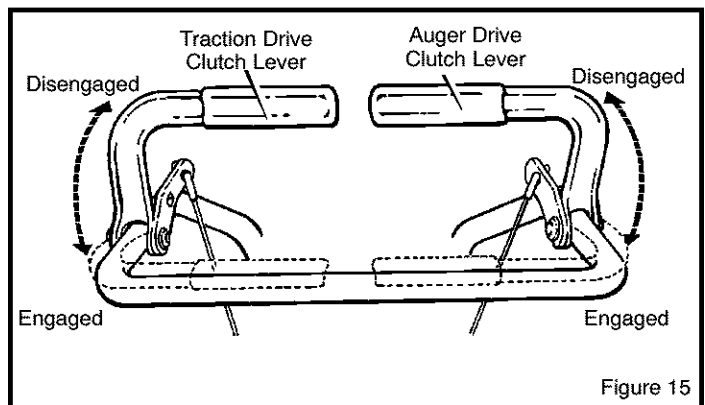


Figure 15

OPERATION

7. To stop forward motion, release traction drive clutch lever (left hand – Figure 15).
8. To stop the auger, release auger drive clutch lever (right hand – Figure 15).
9. To move the snow blower backwards, move speed select lever into first or second reverse and engage traction drive clutch lever (left hand). To stop, release traction drive clutch lever.



WARNING: Never run engine indoors or in an enclosed, poor ventilated area. Engine exhaust contains CARBON MONOXIDE, an ORDERLESS and DEADLY GAS.

Keep hands, feet, hair and loose clothing away from any moving parts on engine and snow blower.

Temperature of muffler and nearby areas can exceed 150° F (66° C). Avoid these areas.

DO NOT allow children or young teenagers to operate or be near snow blower while it is operating.

WHEEL LOCK OUT PIN

1. The right wheel is secured to the axle with a klik pin. This unit was shipped with this klik pin in the locked position. (Figure 16).

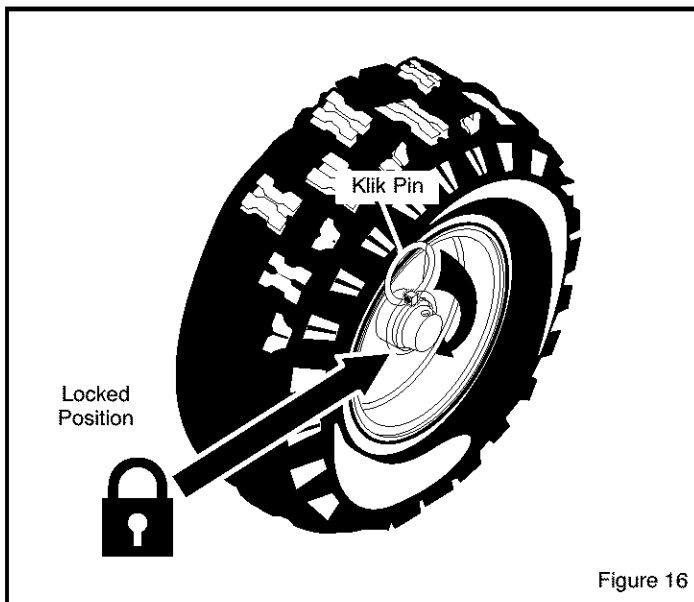


Figure 16

2. For ease of maneuverability when lighter conditions prevail, remove klik pin from wheel locked position and insert into single wheel drive (unlocked) position (Figure 17). Make sure that the klik pin is in the single wheel drive position of the axle only and not through the locked position.

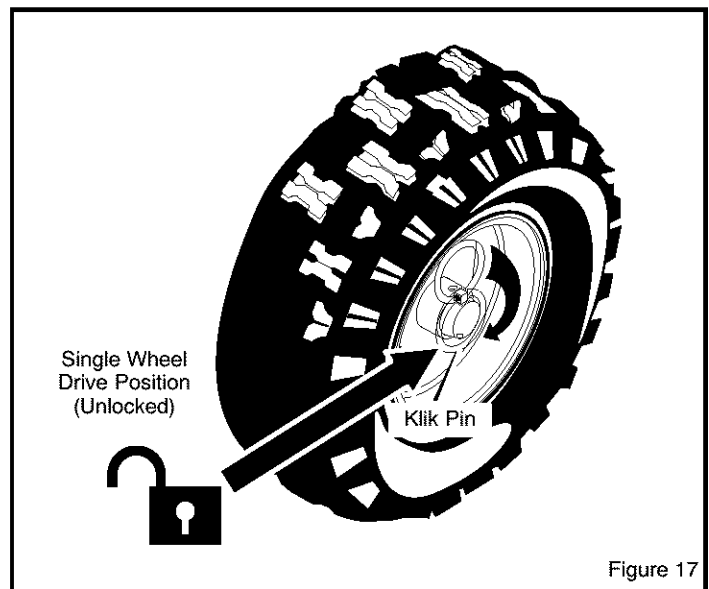


Figure 17

NOTE: Check tire pressure. See side of tire for maximum inflation. Do not exceed listed maximum pressure.



WARNING: Do not attempt to remove any item that may become lodged in auger without taking the following precautions:

- Release auger and drive clutch levers.
- Move throttle lever to STOP position.
- Remove the ignition key.
- Disconnect the spark plug wire.
- Do not put your hands in the auger or discharge chute. Use a pry bar.

OPERATION

BEFORE STARTING ENGINE

Check the oil

NOTE: The engine was shipped from the factory filled with oil. Check the level of the oil. Add oil as needed.

1. Make sure the unit is level.
2. Remove the oil fill cap/dipstick. Check the oil.

NOTE: Do not check the level of the oil while the engine runs.

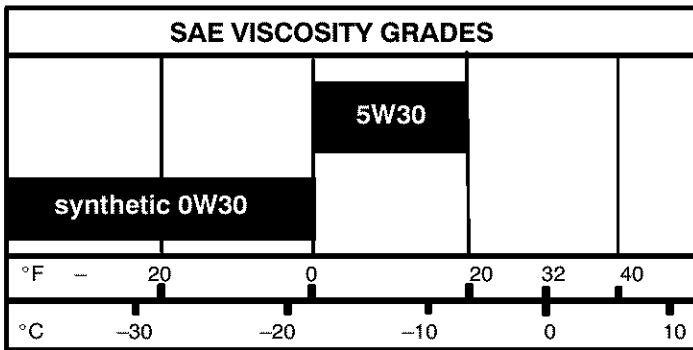
3. If necessary, add oil until the oil reaches the FULL mark on the oil fill/cap dipstick (see Figure 18). Do not add too much oil.

NOTE: For extreme cold operating conditions of 0°F (-18°C) and below, use a synthetic 0W30 motor oil for easier starting.

NOTE: S.A.E. 5W30 motor oil may be used to make starting easier in areas where the temperature is 20°F (-7°C) to 0°F (-18°C).

NOTE: SEE CHART FOR OIL RECOMMENDATION

TEMPERATURE	TYPE OF OIL
20° F. to 0° F. (-7° C) to (-18° C)	S.A.E. 5W30
0° F. (-18° C) and below	synthetic 0 W30



FILL GAS

1. Fill the fuel tank with fresh, clean, unleaded regular, unleaded premium, or reformulated automotive gasoline along with a fuel stabilizer (follow instructions on fuel stabilizer package). **DO NOT** use leaded gasoline. We recommend that fuel stabilizer is added to the fuel each time that gasoline is added to the fuel tank.

NOTE: Winter grade gasoline has higher volatility to improve starting. Be certain container is clean and free from rust or other foreign particles. Never use gasoline that may be stale from long periods of storage in the container.

CAUTION: DO NOT use gasoline containing any amount of alcohol as it can cause serious damage to the engine or significantly reduce the performance.

2. Check to make sure that spark plug is tightened securely into engine and spark plug wire is attached to spark plug. If torque wrench is available, torque plug to 18–23 ft-lbs.



WARNING: Gasoline is flammable. Always use caution when handling or storing gasoline. Do not add gasoline to the fuel tank while snow blower is running, hot, or when snow blower is in an enclosed area. Keep away from open flame, electrical sparks and **DO NOT SMOKE** while filling the fuel tank. Never fill the fuel tank completely; but fill the fuel tank to within 1/4–1/2 inch (6.5–12.5 mm) from the top to provide space for the expansion of the fuel. Always fill fuel tank outdoors and use a funnel or spout to prevent spilling. Make sure to wipe up any spilled fuel before starting the engine.

Store gasoline in a clean, approved container, and keep the cap in place on the container. Keep gasoline in a cool well ventilated place; never in the house. Never buy more than a 30 day supply of gasoline to assure volatility. Gasoline is intended to be used as a fuel for internal combustion engines; therefore, do not use gasoline for any other purpose. Since many children like the smell of gasoline, keep it out of their reach because the fumes are dangerous to inhale, as well as being explosive.

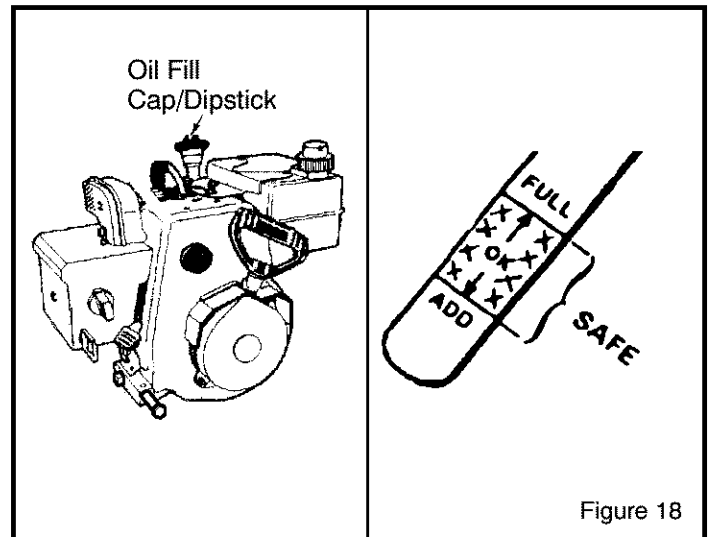


Figure 18

BEFORE STOPPING THE ENGINE

Run the engine for a few minutes to help dry off any moisture on the engine.

To help avoid possible freeze-up of the starter, proceed as follows:

Recoil Starter

With the engine running, pull the starter rope with a rapid continuous full arm stroke three or four times.

NOTE: The normal sound made by pulling the starter rope will not harm the engine or the starter.

Electric Starter

1. Connect the power cord to the switchbox and then to a wall outlet.

OPERATION

2. With the engine running, push the starter button and spin the starter for several seconds.

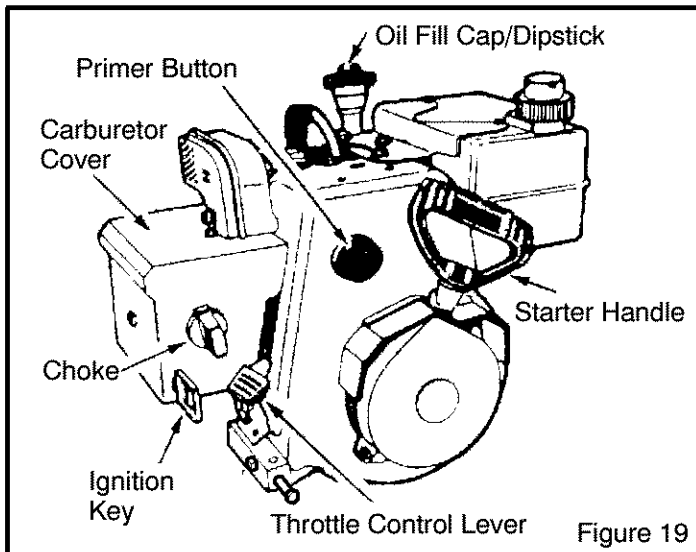
NOTE: The normal sound made by spinning the starter will not harm the engine or the starter.

3. Disconnect the power cord from the receptacle first and then from the switchbox.

TO START ENGINE

Be sure that engine has sufficient oil.

The snow blower engine is equipped with a recoil starter.



COLD ENGINE START (RECOIL STARTER) (SEE FIGURE 19)

(Engine has not been run recently.)

1. Be sure auger drive clutch lever and traction drive clutch lever are in the disengaged (RELEASED) position.
2. IN TEMPERATURES ABOVE 0°F (-18°C)
Move throttle control to "FAST" position.
IN TEMPERATURES BELOW 0°F (-18°C)
Move throttle control to "1/2 THROTTLE" position. Before engaging auger drive clutch lever allow engine to idle for five minutes to allow engine oil to warm. Failure to allow engine oil to warm can cause damage to engine.
3. Insert key into ignition slot. Make sure it snaps into place (Figure 19). Do not turn key.
4. Rotate choke knob to the on position.
5. Push the primer button as follows:
Above 50° F (10° C), DO NOT PRIME.
From 50° F (10° C) to 15° F (-10° C), PUSH TWO TIMES.
Below 15° F (-10° C), PUSH FOUR TIMES.
NOTE: Cover the vent hole when as you push the primer. Remove your finger from the primer vent hole between pushes.
6. Pull starter handle (Figure 19) rapidly, and allow to re-wind slowly while maintaining firm grip on handle.

7. As engine warms up move choke lever to "1/2 choke" position. When engine does not run smoothly, move choke lever to the off position.

NOTE: Allow the engine to warm up for several minutes before blowing snow in temperatures below 0°F (-18° C).

8. Run engine at or near top speed.
9. To stop engine, move throttle control lever to stop position. Remove key. Do not turn key.

WARM ENGINE START (RECOIL STARTER)

(Engine still warm from recent running.)

1. Be sure auger drive clutch lever and traction drive clutch lever are in the disengaged (RELEASED) position.
2. IN TEMPERATURES ABOVE 0°F (-18°C)
Move throttle control to "FAST" position.
IN TEMPERATURES BELOW 0°F (-18°C)
Move throttle control to "1/2 THROTTLE" position. Allow engine to idle at "1/2 Throttle" for five minutes to allow engine oil to warm before engaging auger drive clutch lever. Failure to allow engine oil to warm can cause damage to engine.
3. Insert key into ignition slot. Make sure it snaps into place (Figure 19). Do not turn key.
4. CHOKE KNOB must be in the off position. Do not use primer button.
5. Pull starter handle (Figure 19) rapidly, and allow to re-wind slowly while maintaining firm grip on handle.
6. If engine fails to start after a reasonable number of starting attempts, rotate choke knob to the on position and repeat instruction number 5.
7. As engine warms up, move the choke lever to the "1/2 choke" position. When engine does not run smoothly, move choke lever to the off position.

NOTE: Allow the engine to warm up for several minutes before blowing snow in temperatures below 0°F (-18° C).

8. Run engine at or near top speed.
9. To stop engine, move throttle control lever to stop position. Remove ignition key. Do not turn the ignition key.

To help prevent possible freeze-up of recoil starter and engine controls, proceed as follows after each snow removal job.

1. With engine running, pull starter rope hard with a continuous full arm stroke three or four times. Pulling of starter rope will produce a loud clattering sound. This is not harmful to the engine or starter.
2. With engine not running, wipe all snow and moisture from carburetor cover in area of control levers. Also move control levers backward and forward several times.

IMPORTANT: After each use of the snow blower, stop the engine, remove the ignition key, remove all accumulated snow from the snow blower and wipe clean. Store the snow blower in a protected area.

OPERATION

NOTE: Never cover snow blower while engine and exhaust area are still warm.

USE OF ELECTRIC STARTER

On models so equipped



WARNING: The electric starter is equipped with a three-wire power cord and plug designed to operate on 120 volt AC house hold current. The power cord must be properly grounded at all times to avoid the possibility of electric shock which can cause injury to the operator. Follow all instructions carefully as set forth below:

Make sure your house has a three-wire grounded system. If you are not sure, ask a licensed electrician. If your house does not have a three-wire grounded system, do not use this electric starter under any condition.

If your house has a three-wire grounded system but a three hole receptacle is not available to connect the electric starter, have a three-hole receptacle installed by a licensed electrician.



WARNING: To connect a 120 volt power cord, always connect the power cord first to the switch box located on the engine and then plug the other end into a three-hole grounded receptacle.



WARNING: To disconnect the power cord, always unplug the end connected to the three-hole grounded receptacle first.

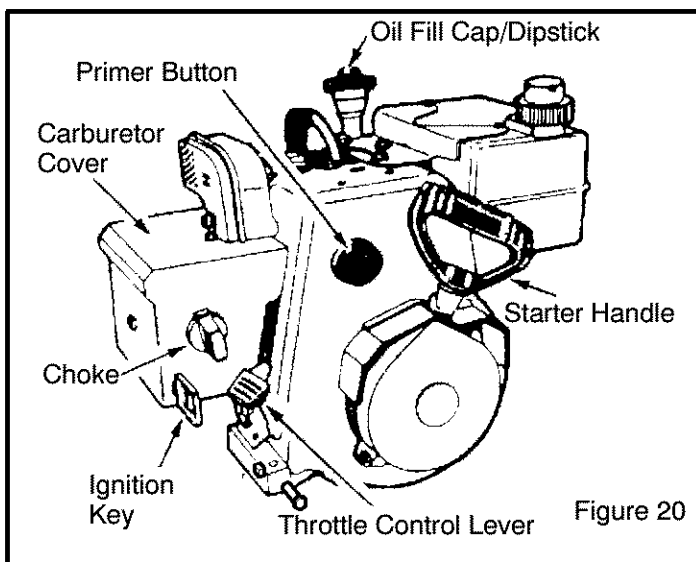


Figure 20

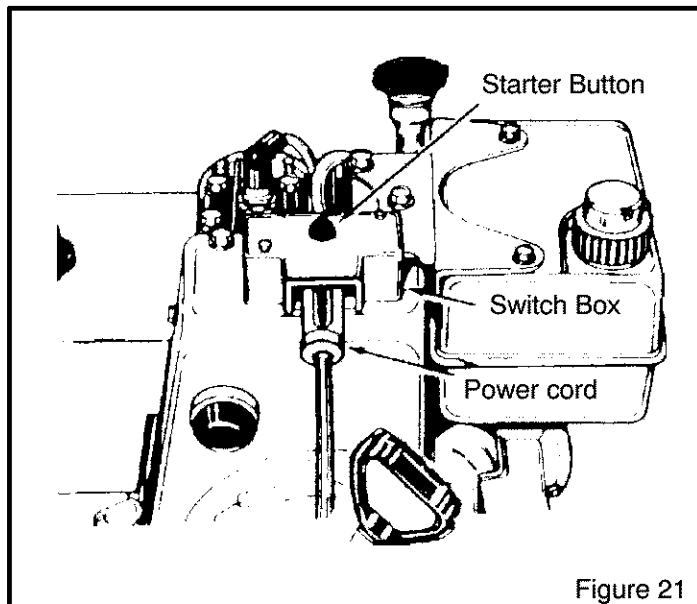


Figure 21

COLD ENGINE START (ELECTRIC STARTER) (SEE FIGURE 20 AND FIGURE 21)

(Engine has not been run recently.)

NOTE: When using the 120 volt electric starter, do not push the primer button.

1. Be sure auger drive clutch lever and traction drive clutch lever are in the disengaged (RELEASED) position.
2. IN TEMPERATURES ABOVE 0°F (-18°C)
Move throttle control to "FAST" position.
IN TEMPERATURES BELOW 0°F (-18°C)
Move throttle control to "1/2 THROTTLE" position. Allow engine to idle at "1/2 Throttle" for five minutes to allow engine oil to warm before engaging auger drive clutch lever. Failure to allow engine oil to warm can cause damage to engine.
3. Insert key into ignition slot. Make sure it snaps into place (Figure 20). Do not turn key.
4. CHOKE KNOB must be in the off position.
5. Connect POWER CORD to SWITCH BOX (Figure 21).
6. Plug other end of POWER CORD into a three-hole, GROUNDED 120 VOLT, AC receptacle. (See WARNING at beginning of these instructions).

NOTE: Cover vent hole when pushing primer. Remove finger from primer vent hole between pushes.

7. Push the primer button as follows:
Above 50° F (10° C), DO NOT PRIME.
From 50° F (10° C) to 15° F (-10° C), PUSH TWO TIMES.
Below 15° F (-10° C), PUSH FOUR TIMES.
8. START ENGINE:

OPERATION

- a. Push STARTER BUTTON (Figure 21) to engage starter motor and crank engine.
- b. Rotate CHOKE KNOB to the on position while cranking engine.

NOTE: The electric starter is thermally protected. If overheated, the electric starter will stop automatically and can only be restarted when it has cooled to a safe temperature. A wait of approximately five to ten minutes is required.

- c. When engine starts, release the STARTER BUTTON and rotate the CHOKE KNOB gradually to the off position.
 - d. If engine falters, rotate the CHOKE KNOB immediately to the on position and then gradually to the off position.
 - e. Disconnect the POWER CORD from receptacle first, and then from the SWITCH BOX.
9. When the engine starts, release the starter button and move choke lever to "1/2 choke" position. When engine does not run smoothly, move choke lever to the off position.

NOTE: Allow the engine to warm up for several minutes before blowing snow in temperatures below 0°F.

10. Run engine at or near top speed.
11. To stop engine, move throttle control lever to stop position. Remove key. Do not turn key.

If, after following the preceding instructions, your engine fails to start, have it checked by an Authorized Sears Service Outlet.

WARM ENGINE START (ELECTRIC STARTER)

(Engine still warm from recent running.) Proceed with the following instructions.

NOTE: Warm engine may start without choking.

1. Be sure auger drive clutch lever and traction drive clutch lever are in the disengaged position, "RELEASED".

2. IN TEMPERATURES ABOVE 0°F (-18°C)
Move throttle control to "FAST" position.
IN TEMPERATURES BELOW 0°F (-18°C)
Move throttle control to "1/2 THROTTLE" position. Allow engine to idle at "1/2 Throttle" for five minutes to allow engine oil to warm before engaging auger drive clutch lever. Failure to allow engine oil to warm can cause damage to engine.
3. Insert key into ignition slot. Make sure it snaps into place (Figure 17). Do not turn key.
4. CHOKE KNOB must be in the off position.
5. Connect the POWER CORD to the SWITCH BOX (Figure 21).
6. Plug other end of POWER CORD into a three hole, GROUNDED 120VOLT, AC receptacle (See "WARNING" at beginning of these instructions).
7. START ENGINE:
 - a. Push STARTER BUTTON (Figure 21) to engage starter motor and crank engine.
 - b. While cranking, rotate the CHOKE KNOB on the engine to the on position.

NOTE: The electric starter is thermally protected. If overheated, the electric starter will stop automatically and can only be restarted when it has cooled to a safe temperature. A wait of approximately five to ten minutes is required.

- c. When the engine starts, release the STARTER BUTTON and rotate the CHOKE KNOB gradually to the off position.
 - d. If the engine falters, rotate CHOKE KNOB immediately to the on position and then gradually to the off position.
 - e. Disconnect the POWER CORD from the receptacle first and then from the SWITCH BOX.
8. Run the engine at or near top speed.
 9. To stop the engine, move the throttle control lever to the "Stop" position. Remove the ignition key. Do not turn key.

If after following the preceding instructions, your engine fails to start, have the engine checked by an Authorized Sears Service Outlet.

NOTE: Do not lose the ignition key. Key the ignition key is a safe place. The engine will not start without the ignition key.

OPERATION

OPERATING TIPS

1. For optimum snow blower efficiency, adjust ground speed, not the throttle. **REMEMBER** – if the wheels slip, forward speed will be reduced. The engine is designed to deliver optimum performance at full throttle and must be run at this power setting at all times.
2. Most efficient snowblowing is accomplished when snow is removed immediately after it falls.
3. For complete snow removal, slightly overlap each swath previously taken.
4. Snow should be discharged downwind whenever possible.
5. For normal usage, set the skids one–eighth inch (3 mm) below the scraper bar. For extremely hard–packed snow surfaces, the skids may be adjusted upward to insure cleaning efficiency.
6. On gravel or crushed rock surfaces, the skids should be set at 1–1/4 inch (32 mm) below the scraper bar (see To Adjust Skid Height, in the Adjustment/Repair section in this manual). Rocks and gravel must not be picked up and thrown by the machine.
7. After the snowblowing job has been completed, allow the engine to idle for a few minutes, to melt snow and ice accumulated on the engine.
8. Remove ice and snow accumulation from the entire snow blower to prevent obstructions and possible damage when snow blower is subsequently operated.
9. Before starting snow blower, always inspect augers and impeller for ice accumulation and/or debris, which could result in snow blower damage.
10. Check oil level before every start. fill to “SAFE” indication prior to operating snow blower.

To help avoid possible freeze–up of starter, proceed as follows:

Recoil Starter:

With engine running, pull starter rope with a rapid continuous full arm stroke three (3) or four (4) times.

NOTE: The unusual sound made by pulling starter rope will not harm the engine or the starter.

Electric Starter:

1. Connect the “POWER CORD” to the “SWITCH BOX” and then to a 120 volt AC receptacle.
2. With engine running, push the “STARTER BUTTON” and spin the starter for several seconds.

NOTE: The unusual sound made by spinning the starter rope will not harm the engine or the starter.

3. Disconnect the “POWER CORD” from the receptacle first and then from the “SWITCH BOX”.

SERVICE RECOMMENDATIONS

SERVICE RECOMMENDATIONS									
PROCEDURE		FIRST 2 HOUR	BEFORE EACH USE	OFTEN	EVERY 5 HOURS	EVERY 10 HOURS	EVERY 25 HOURS	BEGINNING EACH SEASON	BEFORE STORAGE
S N O W B L O W E R	Tighten all screws and nuts	√		√				√	
	Check Traction Clutch Cable Adjustment (See Cable Adjustment)	√						√	
	Check Auger clutch Cable Adjustment (See Cable Adjustment)	√						√	
	Adjust Drive Belts	√					√	√	
	Lubricate Chains and Hex Shaft							√	√
	Lubricate Auger Shaft (See Shear Bolt Replacement)					√			√
E N G I N E	Oil, Check		√		√			√	
	Oil, Change	√					√	√	

The warranty on this snow blower does not cover items that have been subjected to operator abuse or negligence. To receive full value from the warranty, operator must maintain snow blower as instructed in this manual. The following **Service Recommendations** is supplied to assist operator to properly maintain snow blower. This is a check list only. Adjustment referred to will be found in Adjustments/Repairs section of this manual.

AFTER EACH USE

1. Check for any loose or damaged parts.
2. Tighten any loose fasteners.
3. Check and maintain the auger.
4. After each use, remove all snow and slush off the snow blower to prevent freezing of auger or controls.
5. Check controls to make sure they are functioning properly.
6. If any parts are worn or damaged, replace immediately.

CUSTOMER RESPONSIBILITIES

Some adjustments will need to be made periodically to properly maintain your snow blower.

All adjustments in ADJUSTMENTS/REPAIRS section of this manual should be checked at least once each season.

SNOW BLOWER

The following adjustment should be performed more than once each season.

Auger and Traction Drive Belts should be adjusted after the first 2 to 4 hours of use, again about mid-season and twice each season thereafter (See To Adjust Belts paragraph in the Adjustment/Repair section).

AS REQUIRED

Auger Gear Box

The auger gear box is lubricated at the factory and should not require additional lubrication.

If for some reason the lubricant should leak out, or if the auger gear box has been serviced, add Lubriplate GR132 Grease or equivalent. Maximum 3-1/4 ounces, (92 grams) should be used.

Remove filler plug D (Figure 22 and Figure 23), once a year. If grease is visible, do not add. If grease is not visible, use a piece of fine wire, like a dipstick to check if there is grease in the gear box. Mobilux EP1 and Shell Aldania EP1 are suitable equivalents.

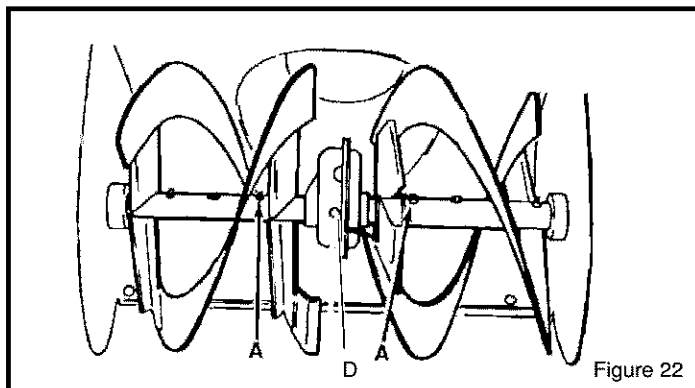


Figure 22

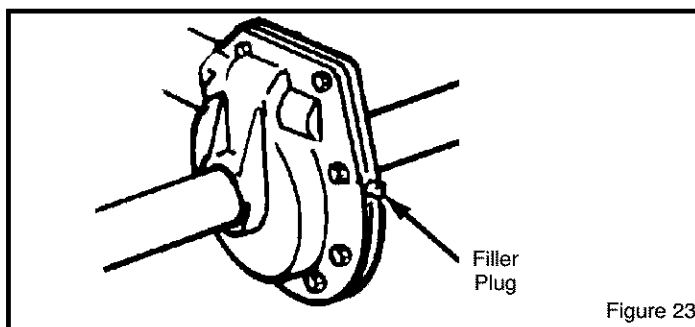


Figure 23

LUBRICATION AT STORAGE

Bearings and bushings

All bearings and bushings are lifetime lubricated and require no maintenance.

Hex shaft and chains

For storage, the hex shaft should be wiped with a cloth lightly moistened with motor oil to prevent rusting (see Figure 25).

For storage, the chains should be lubricated with a chain type lube. (see Figure 25).

NOTE: Any greasing or oiling of the above mentioned components can cause contamination of the rubber friction wheel. If the disc drive plate or friction wheel come in contact with grease or oil damage to rubber friction wheel will result .

If grease or oil comes into contact with the disc drive plate or friction wheel, make sure to clean plate and wheel thoroughly with an alcohol base solvent.

LUBRICATION – EVERY 10 HOURS

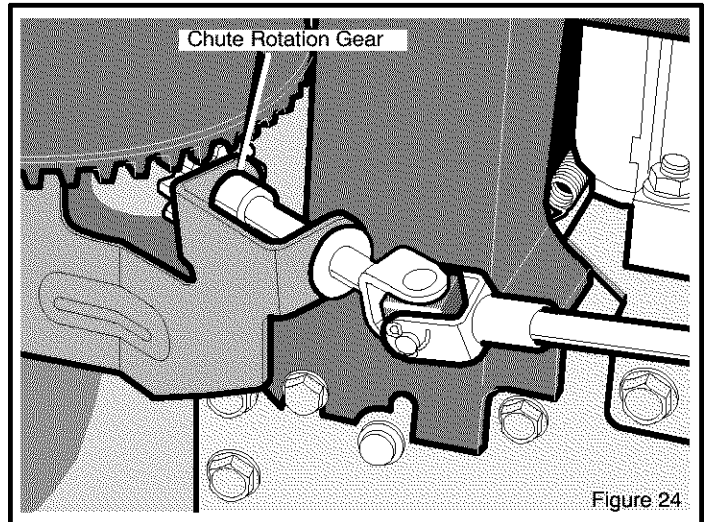
1. **Auger Shaft** – Using a hand grease gun, lubricate the auger shaft zerk fittings (A) every ten (10) operating hours. Each time a shear bolt is replaced, the auger shaft **MUST** be greased (Figure 22). (See To Replace Auger Shear Bolt in the Repair/Adjustment section).
2. For storage or when replacing shear bolts, remove shear bolts and lubricate auger shaft zerks. Rotate augers several times on the shaft and reinstall the shear bolts.

CUSTOMER RESPONSIBILITIES

LUBRICATION – EVERY 25 HOURS

Chute Rotation Gear

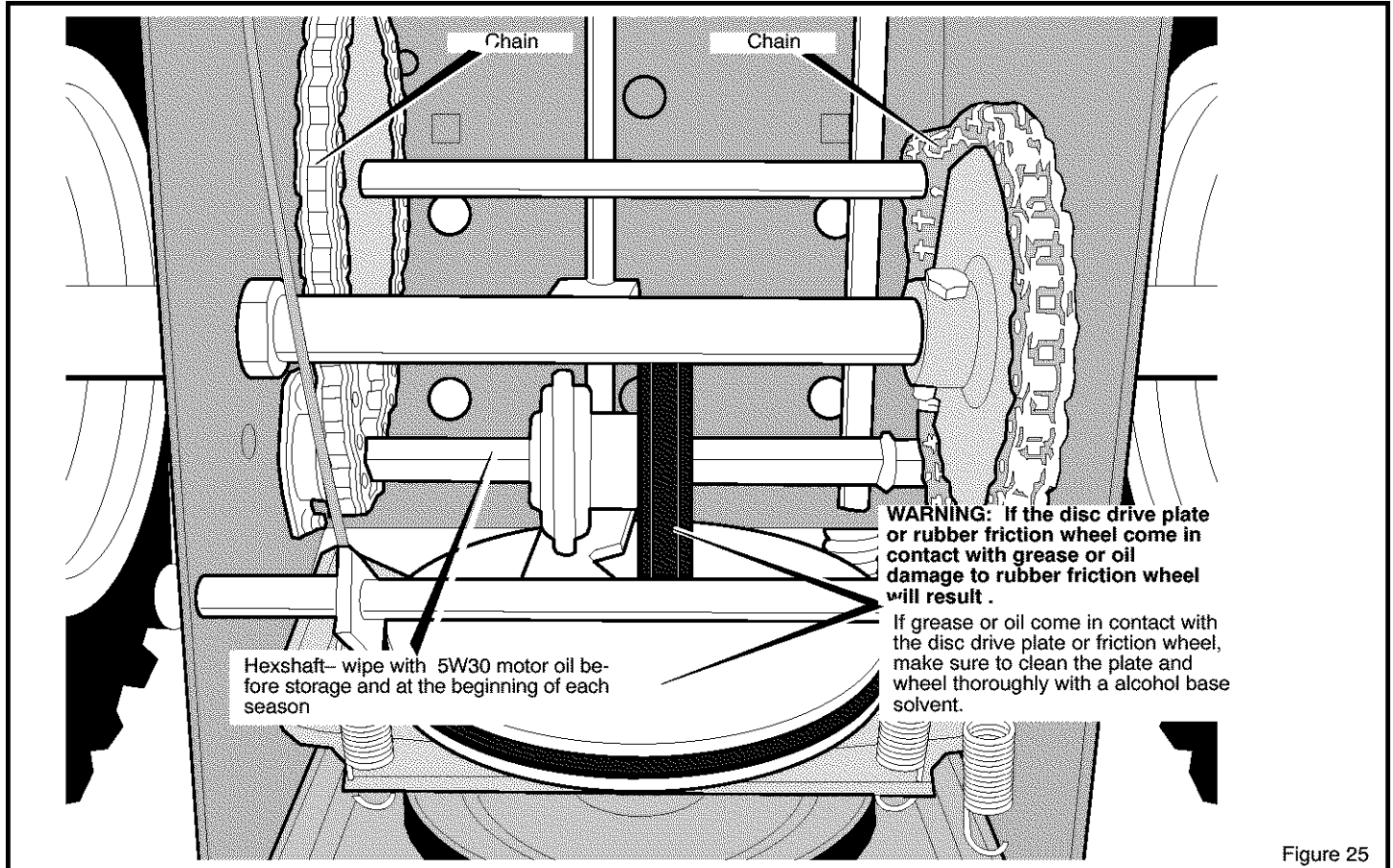
Lubricate the **chute rotation gear** with automotive type oil. (see Figure 24).



Chains

1. Position speed selector lever in first (1) forward gear.
2. Stand the snow blower up on the auger housing end.
NOTE: When the crank case is filled with oil, do not leave the snow blower standing up on the auger housing for an extended period of time.
3. Remove the bottom panel.

4. Lubricate the **chains** with a chain type lubricant.
5. Wipe the **hexshaft and sprockets** with 5W30 motor oil.
NOTE: Clean all excess grease or oil found on the rubber friction wheel or the disc drive plate.
CAUTION: Do not allow grease or oil to contact the rubber friction wheel or the disc drive plate.
6. Install the bottom panel.



CUSTOMER RESPONSIBILITIES

ENGINE

Check Crankcase Oil Level before starting engine and after each 5 hours of continuous use (see Figure 26). Add proper motor oil as required.

NOTE: Overfilling the engine can affect performance. Tighten the oil fill cap securely to prevent leakage.

Change Oil every 25 hours of operation or at least once a year, even if the snow blower is not used for twenty-five hours. Use a clean, high quality detergent oil. Fill the crank case to FULL line on dipstick (see Figure 26). Be sure original container is marked: A.P.I. service "SF" or higher. Do not use SAE10W40 oil (as it may not provide proper lubrication). See Chart for oil recommendations.

To Drain Oil – Position snow blower so that the oil drain plug is lowest point on engine. Remove oil drain plug and oil fill cap and drain oil into a suitable container (Figure 27).

NOTE: Oil will drain more freely when warm.

Replace oil drain plug and tighten securely. Refill crank case with proper motor oil or as indicated in the preceding paragraphs of this section.

SAE VISCOSITY GRADES	
	5W30
synthetic 0W30	
°F	20 0 20 32 40
°C	-30 -20 -10 0 10

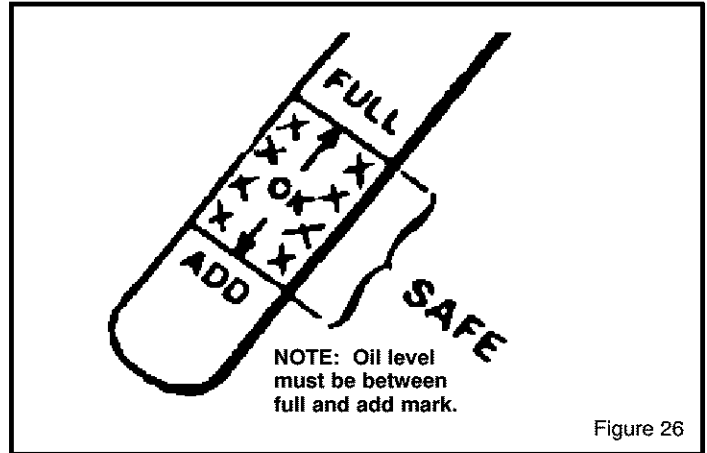


Figure 26

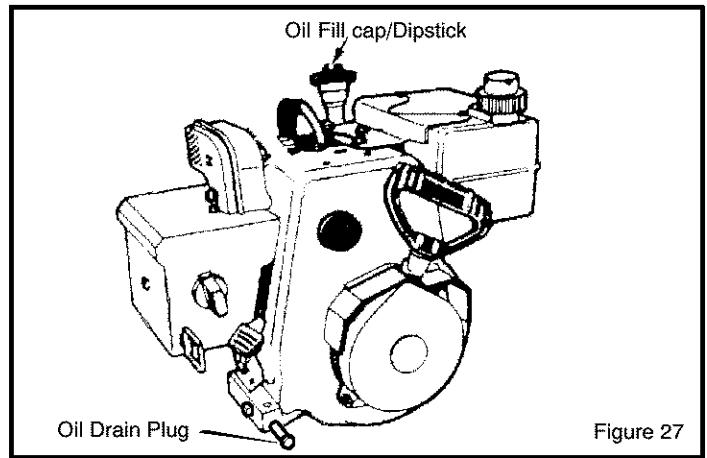


Figure 27

ADJUSTMENT/REPAIR



WARNING: Always turn unit off, remove ignition key and disconnect the spark plug wire before making any repairs or adjustments.

AUGER HOUSING HEIGHT ADJUSTMENT

TO ADJUST SCRAPER BAR

After considerable use, the metal scraper bar will have a definite wear pattern. The scraper bar in conjunction with the skids should always be adjusted to allow one-eighth of an inch (3 mm) between the scraper bar and the sidewalk or area to be cleaned.

To adjust the scraper bar, proceed as follows:

1. Position the snow blower on a level surface.
2. Loosen the carriage bolts and nuts securing the scraper bar to the auger housing.
3. Adjust the scraper bar to the proper position. Tighten the carriage bolts and nuts, insuring that the scraper bar is parallel with the working surface.
4. For extended operation, the scraper bar may be reversed. If the scraper bar must be replaced because of wear, remove the carriage bolts and nuts and install a new scraper bar.

TO ADJUST SKID HEIGHT

This snow blower is equipped with two height adjust skids, secured to the outside of the auger housing. These elevate the front of the snow blower.

When removing snow from a hard surface area such as a paved driveway or walk, adjust the skids up to bring the front of the snow blower down.

When removing snow from rock or uneven construction, raise the front of the snow blower by moving the skids down. This will help to prevent rocks and other debris from being picked up and thrown by the augers.

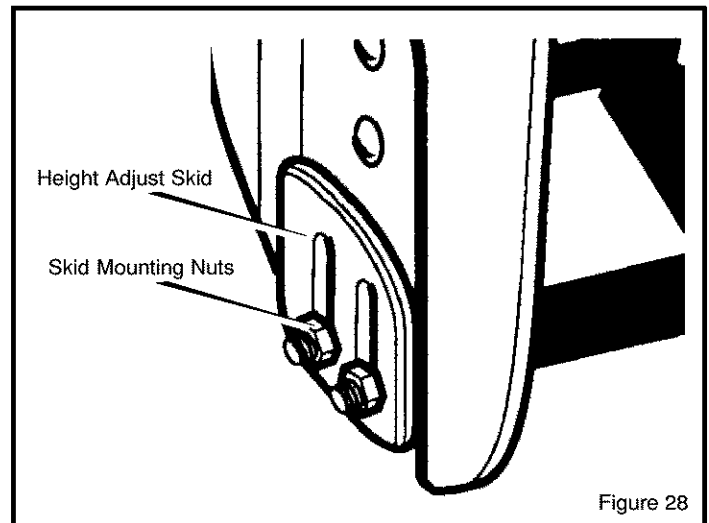
To adjust skids, proceed as follows:

1. Place a block (equal to height from ground desired) under scraper bar near but not under skid.
2. Loosen skid mounting nuts (Figure 28) and push the skid down until it touches the ground. Retighten mounting nuts.
3. Set skid on other side at same height.

NOTE: Make sure that snow blower is set at same height on both sides.



WARNING: Be certain to maintain proper ground clearance for your particular area to be cleared. Objects such as gravel, rocks or other debris, if struck by the impeller, may be thrown with sufficient force to cause personal injury, property damage or damage to the snow blower.



ADJUSTMENT/REPAIR

BELT ADJUSTMENT

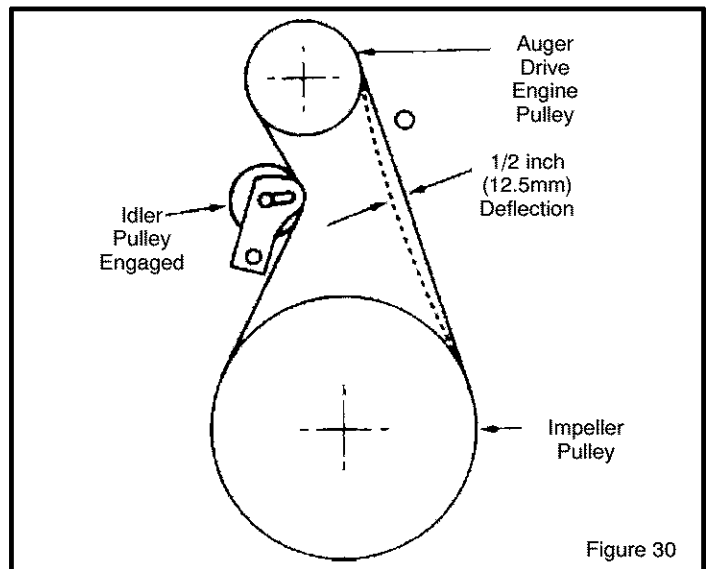
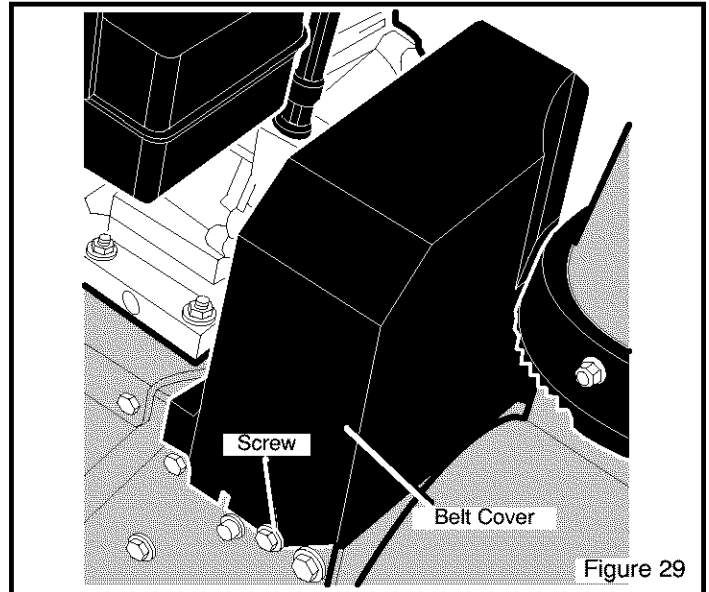
Traction Drive Belt

The traction drive belt has constant spring pressure and does not require an adjustment. If the traction drive belt is slipping, replace the belt. See "How To Replace The Belts" in the Maintenance section.

Auger Drive Belt

If your snow blower will not discharge snow, check the control cable adjustment. If it is correct, then check the condition of the auger drive belt. If it is damaged or loose, replace it (see Belt Replacement in this section of the manual).

1. Disconnect spark plug wire.
2. Remove **screw** from **belt cover**. Remove **belt cover** (see Figure 29).
3. Loosen nut on auger idler pulley and move auger idler pulley towards belt about 1/8 inch (3 mm) (see Figure 32).
4. Tighten nut.
5. Have someone engage auger drive clutch. Check tension on belt (opposite idler pulley). Belt should deflect about 1/2 inch (12.5 mm) with moderate pressure (Figure 30). You may have to move idler pulley more than once to obtain the correct tension.
6. Reinstall belt cover.
7. Whenever belts are adjusted or replaced, the cables will need to be adjusted. (See Cable Adjustment in this section of the manual).
8. Attach the spark plug wire.



ADJUSTMENT/REPAIR

HOW TO REPLACE THE BELTS

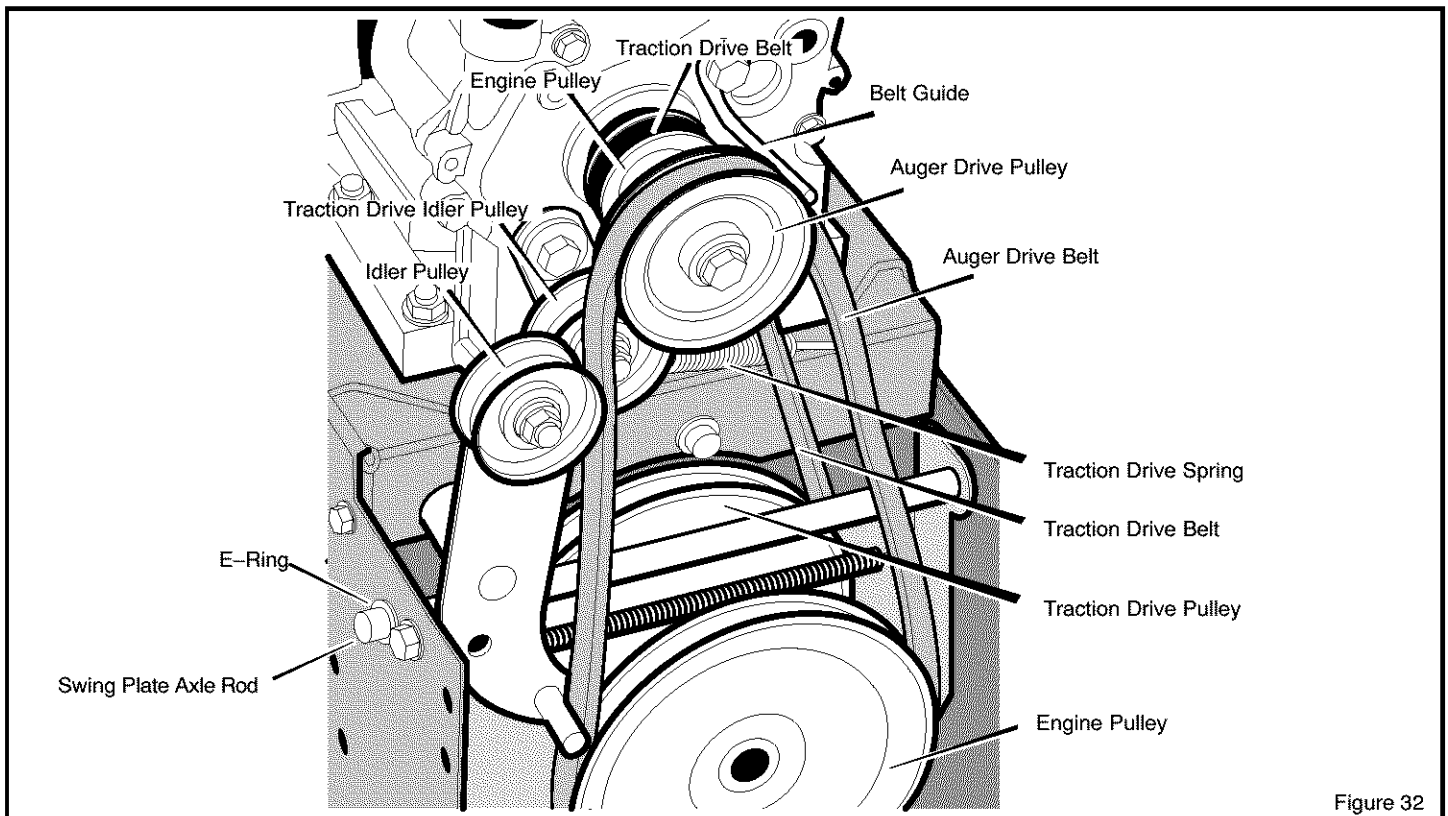
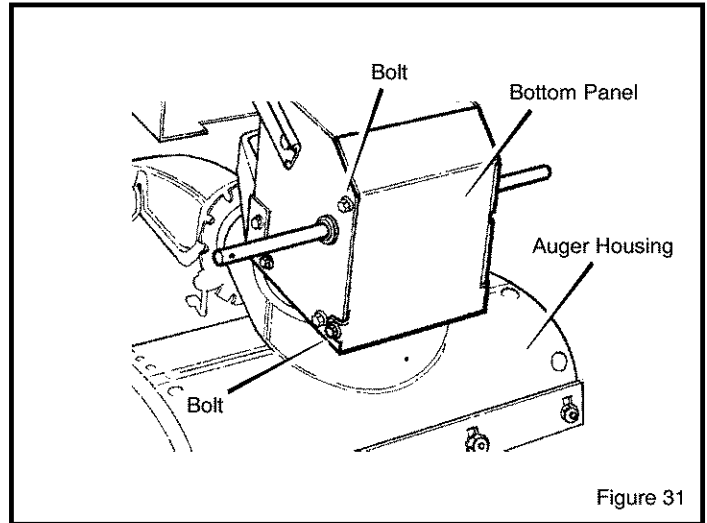
The drive belts are of special construction and must be replaced with original factory replacement belts available from your nearest authorized service center.

Some steps require the assistance of a second person.

How To Remove the Auger Drive Belt

If the auger drive belt is damaged, the snow thrower will not discharge snow. Replace the damaged belt as follows.

1. Disconnect the spark plug wire.
2. Loosen the **bolts** on each side of the **bottom panel** (see Figure 31).
3. Remove the **bottom panel**.
4. Remove **screw** from **belt cover**. Remove the **belt cover** (see Figure 29).
5. Loosen the **belt guide**. Pull the **belt guide** away from the **auger drive pulley** (see Figure 32).
6. Pull the **idler pulley** away from the **auger drive belt**.
7. Remove the old **auger drive belt** from the **auger drive pulley** and from the **engine pulley**. Replace the **auger drive belt** with an original factory replacement belt available from an authorized service center.
8. Install the new **auger drive belt** onto the **auger drive pulley** and onto **pulley**.
9. Adjust the **auger drive belt**. See "How To Adjust The Auger Drive Belt" in the Maintenance section.
10. Adjust the **belt guide**. See "How To Adjust The Belt Guide" in the Maintenance section.
11. Install the **belt cover**. Tighten **screw** (See Figure 29).
12. Check the adjustment of the cables. See "How To Check And Adjust The Cables" in the Maintenance section.
13. Install the **bottom panel** (see Figure 31).
14. Tighten the **bolts** on each side of the **bottom panel**.
15. Connect the spark plug wire.



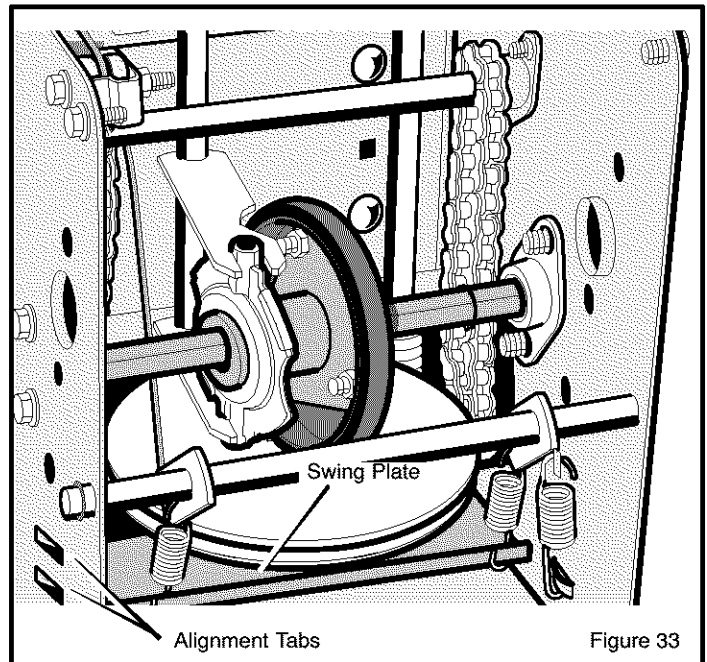
ADJUSTMENT/REPAIR

How To Remove the Traction Drive Belt

If the snow thrower will not move forward, check the traction drive belt for wear or damage. If the traction drive belt is worn or damaged, replace the belt as follows.

1. Disconnect the spark plug wire.
2. Remove the auger drive belt. See “How To Remove The Auger Drive Belt” in the Maintenance section.
3. Remove the **e-ring** from one end of the **swing plate axle rod**. Remove the **swing plate axle rod** to allow the swing plate to pivot forward (see Figure 32).
4. Remove the **traction drive spring**.
5. Remove the old **traction drive belt** from the **traction drive pulley** and from the **engine pulley**. Replace the **traction drive belt** with an original factory replacement belt available from an authorized service center.
6. Install the new **traction drive belt** onto the **traction drive pulley** and onto **engine pulley**.
7. Make sure the **traction drive idler pulley** is properly aligned with the **traction drive belt**.
8. Attach the **traction drive spring**.
9. Install the **swing plate axle rod** and secure with the **e-ring** removed earlier.
10. The bottom of the **swing plate** must be positioned between the **alignment tabs**. Make sure the **swing plate** is properly secured (see Figure 33).
11. Install and adjust the **auger drive belt**. See “How To Remove The Auger Drive Belt” in the Maintenance section.
12. Adjust the **belt guide**. See “How To Adjust The Belt Guide” in the Maintenance section.
13. Install the **bottom panel** (see Figure 31).
14. Tighten the **bolts** on each side of the **bottom panel**.
15. Install the **belt cover**. Tighten **screw** (see Figure 29).
16. Check the adjustment of the cables. See “How To Check And Adjust The Cables” in the Maintenance section.
17. Connect the spark plug wire.

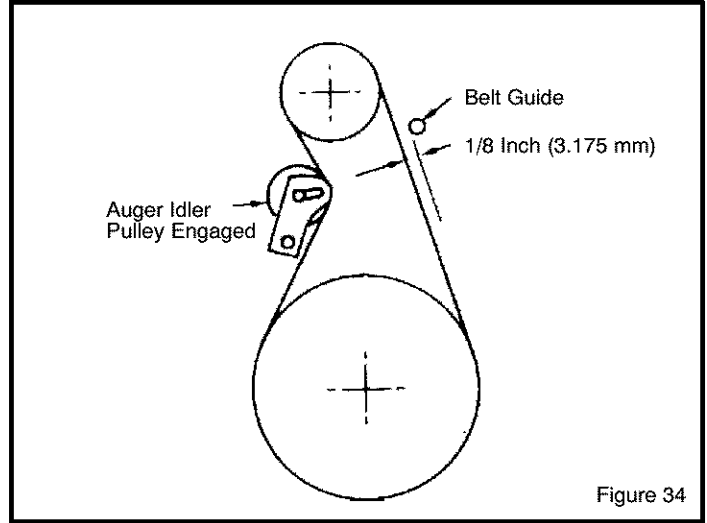
NOTE: If the drive will not engage after the traction drive belt has been replaced, then check to make sure that the swing plate is positioned between the alignment tabs.



ADJUSTMENT/REPAIR

BELT GUIDE ADJUSTMENT

1. Remove spark plug wire.
2. Have someone engage auger drive.
3. Measure the distance between the belt guide and belt. The distance should be 1/8 inch (3.175 mm) for guide. See Figure 34.
4. If adjustment is necessary, loosen belt guide mounting bolt. Move belt guide to the correct position. Tighten mounting bolt.
5. Reinstall belt cover.
6. Reconnect spark plug wire.



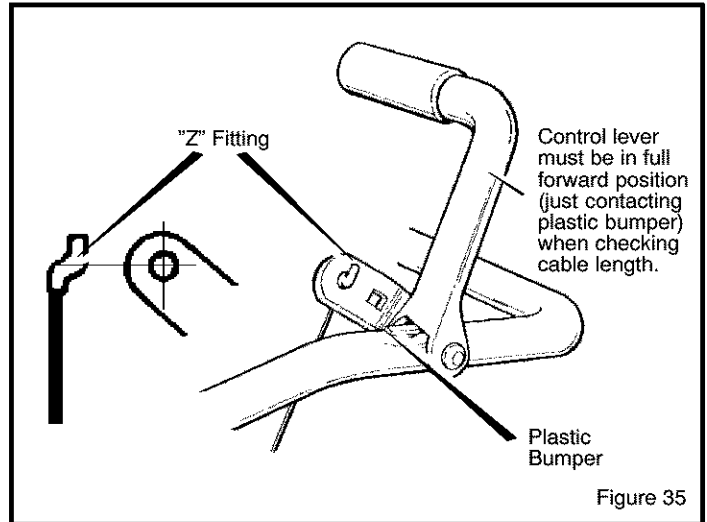
HOW TO CHECK AND ADJUST THE CABLES

The cables are adjusted at the factory and no adjustment should be necessary. If the cables have become stretched or are sagging adjustment will be necessary.

Whenever belts are adjusted or replaced, the cables will need to be adjusted.

To check for correct adjustment, unhook "Z" fitting at clutch lever (see Figure 35).

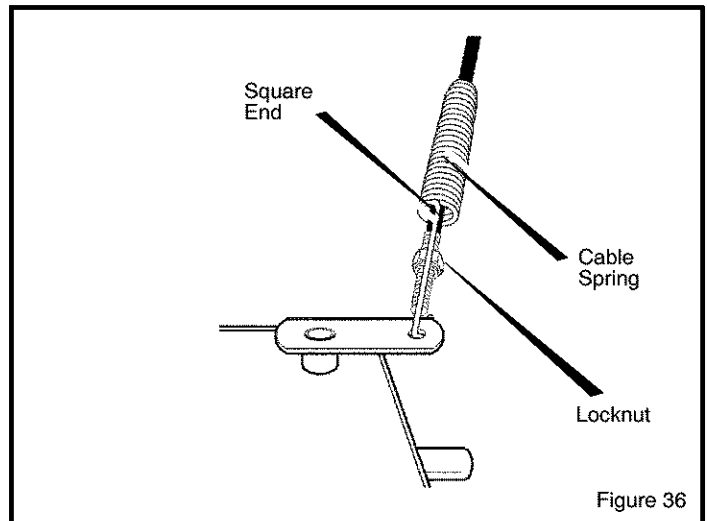
1. Move clutch lever to the full forward position (just contacting plastic bumper). Holding cable tight, note position of fitting to hole in clutch lever.
2. The center of the "Z" fitting should be between the centre and top of the hole in the clutch lever. Adjust either the auger drive cable or the traction drive cable as follows.



Auger Drive Cable Adjustment

WARNING: Drain the gasoline outdoors, away from fire or flame.

1. Remove the gas from the gas tank. Stand the snow thrower up on the front end of the auger housing.
2. Push cable through spring to expose the threaded portion of the cable (see Figure 36).
3. Hold square end of threaded portion with pliers and adjust locknut in or out until correct adjustment is reached. Pull cable back through spring and connect cable.



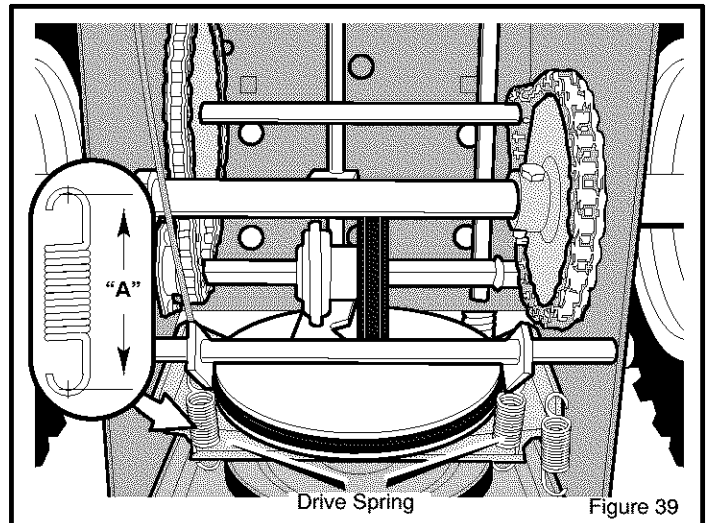
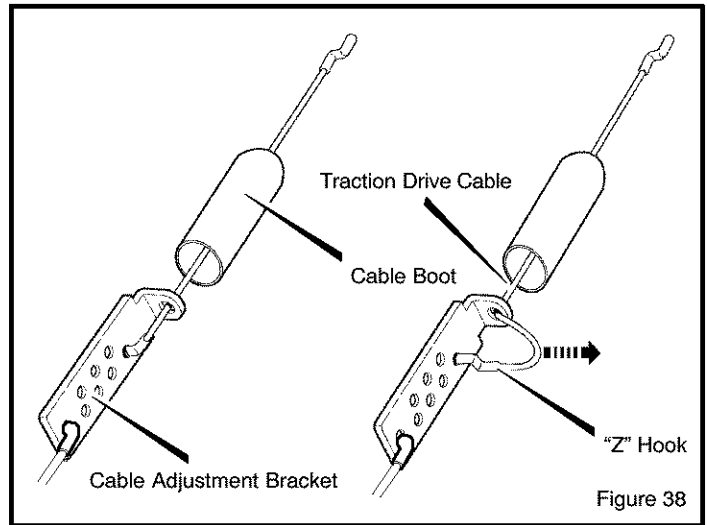
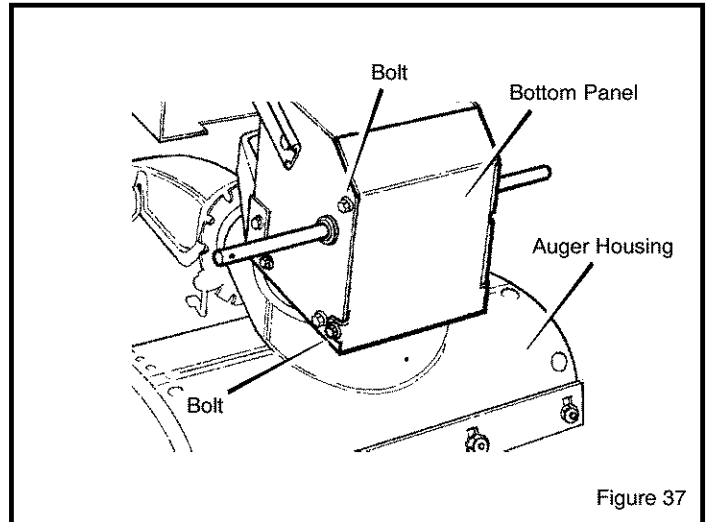
ADJUSTMENT/REPAIR

Traction Drive Cable Adjustment



WARNING: Drain the gasoline outdoors, away from fire or flame.

1. Remove the gas from the gas tank. Stand the snow thrower up on the front end of the auger housing.
2. Loosen the **bolts** on each side of the **bottom panel** (see Figure 37).
3. Remove the **bottom panel**.
4. Disconnect the **"Z" fitting** from the **drive lever** (see Figure 35).
5. Slide the **cable boot** off the **cable adjustment bracket** (see Figure 38).
6. Push the bottom of the **traction drive cable** through the **cable adjustment bracket** until the **"Z" hook** can be removed.
7. Remove the **"Z" hook** from the **cable adjustment bracket**. Move the **"Z" hook** down to the next adjustment hole.
8. Pull the **traction drive cable** up through the **cable adjustment bracket**.
9. Put the **cable boot** over the **cable adjustment bracket**.
10. Install the **"Z" hook** to the **traction drive lever** (see Figure 35).
11. To check the adjustment, depress the drive lever and check the length of the **drive spring** (see Figure 39). In correct adjustment, the length of the **drive spring** is minimum 3 inches (76 mm.) maximum 3-3/8 inches (85 mm.).
12. Install the **bottom panel** (see Figure 37).
13. Tighten the **bolts** on each side of the **bottom panel**.



ADJUSTMENT/REPAIR

HOW TO ADJUST OR REPLACE THE FRICTION WHEEL

How To Check The Friction Wheel

If the snow thrower will not move forward, check the traction drive belt, the traction drive cable or the friction wheel. If the friction wheel is worn or damaged, it must be replaced. See "How To Replace the Friction Wheel" in this section. If the friction wheel is not worn or damaged, check as follows.

1. Remove the gas from the gas tank. Stand the snow thrower up on the front end of the **auger housing** (see Figure 40).



WARNING: Drain the gasoline outdoors, away from fire or flame.

2. Disconnect the spark plug wire.
3. Loosen the **bolts** on each side of the **bottom panel** (see Figure 40).
4. Remove the **bottom panel**.
5. Position the **shift speed lever** in the lowest forward speed.
6. Note the position of the **friction wheel** (see Figure 41). The correct distance "A" from the right side of the **friction wheel** to the outside of the motorbox is as follows:

Tire Size	Distance "A"
12 and 13 inch	4-1/8" (10.5 cm.)
16 inch	4-5/16" (10.95 cm.)

If the **friction wheel** is not in the correct position, adjust as follows.

How To Adjust The Friction Wheel

1. Position the **shift speed lever** in the lowest forward speed.
2. Remove **washer** and **cotter pin** that connect the **trunnion nut** to the **shifter rod**. Remove the **trunnion nut** from the **shifter rod** (see Figure 42).
3. Move the **friction wheel** to the correct position (see Figure 41).
4. Turn the **trunnion nut** until it is aligned with the mounting hole in the **shifter rod** (see Figure 42). When aligned, attach the **trunnion nut** and secure with **washer** and **cotter pin**.

5. Install the **bottom panel** (see Figure 40).

6. Tighten the **bolts** on each side of the **bottom panel**.

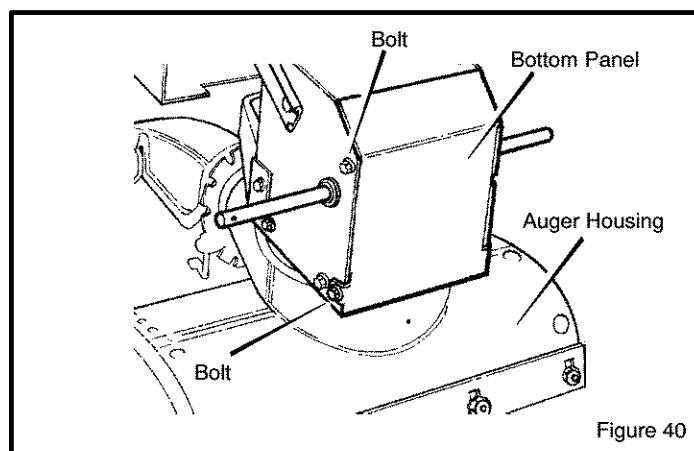


Figure 40

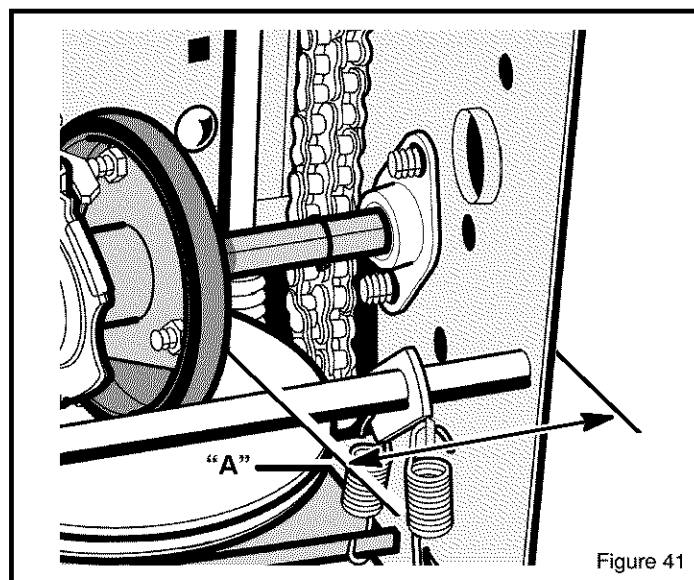


Figure 41

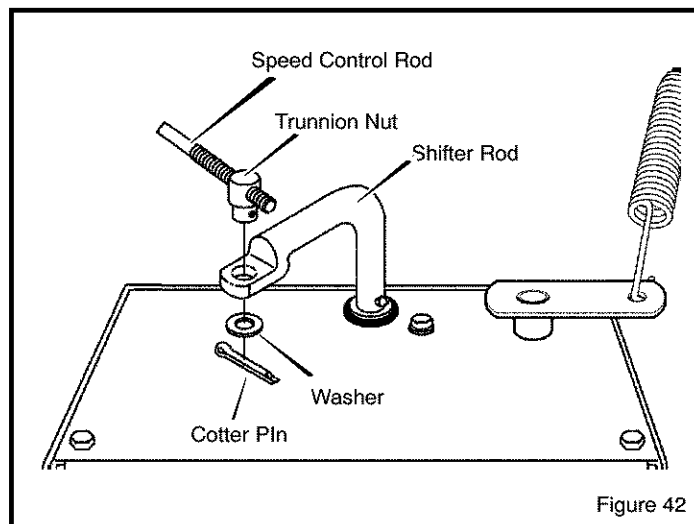


Figure 42

ADJUSTMENT/REPAIR

How To Replace The Friction Wheel

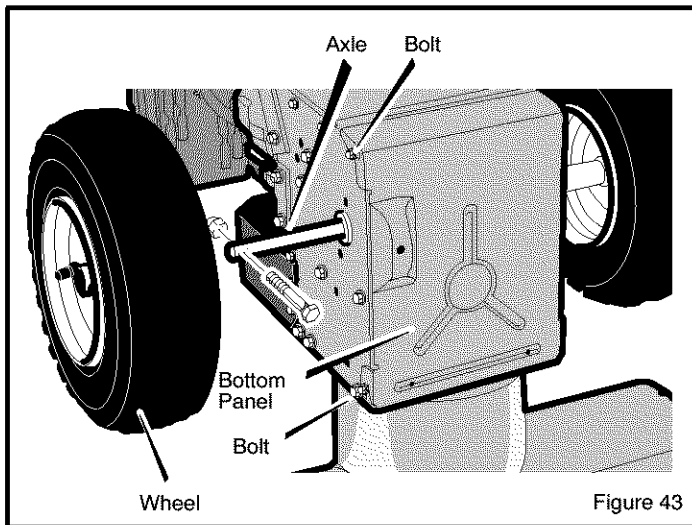
If the friction wheel is worn or damaged, the snow thrower will not move forward. The friction wheel must be replaced as follows.

1. Remove the gas from the gas tank. Stand the snow thrower up on the front end of the **auger housing (4)**. (see Figure 40).

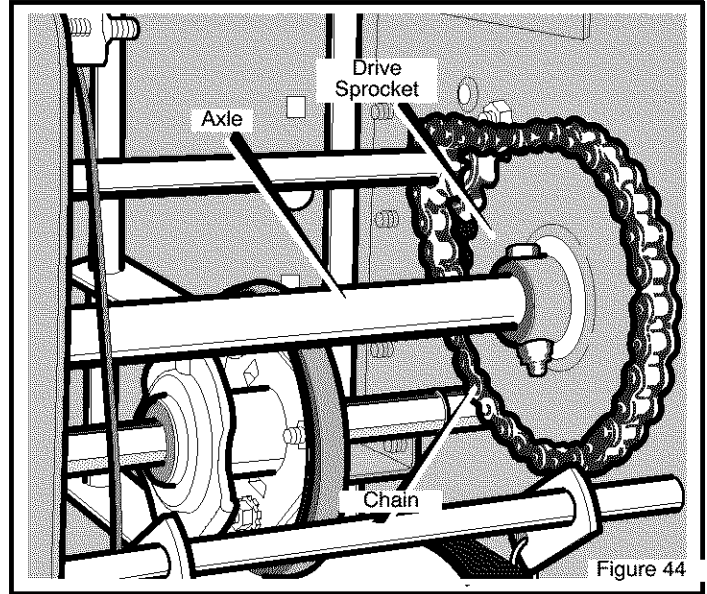


WARNING: Drain the gasoline outdoors, away from fire or flame.

2. Disconnect the spark plug wire.
3. Remove the fasteners that secure the **left wheel**. Remove the **left wheel** from the **axle** (see Figure 43)
4. Loosen the **bolts** on each side of the **bottom panel**.
5. Remove the **bottom panel**.

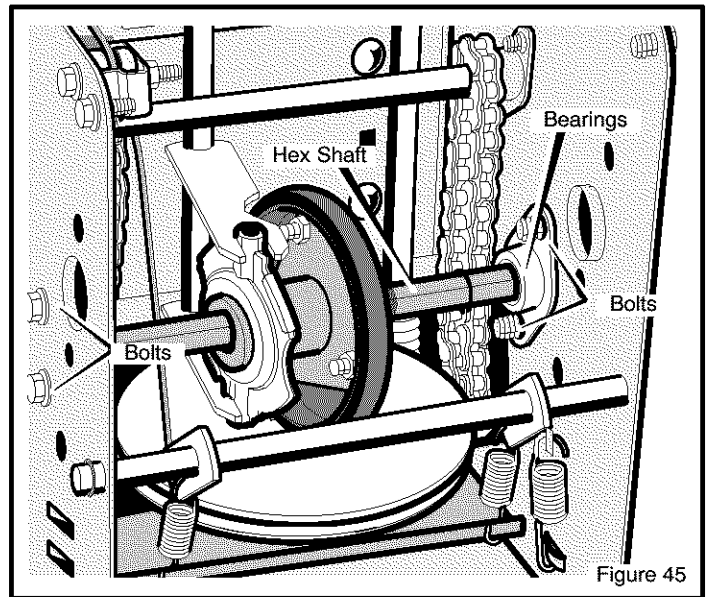


6. Remove the fasteners that secure the **drive sprocket** to the **axle** (see Figure 44).
7. Remove the right wheel, **axle**, and **drive sprocket**.



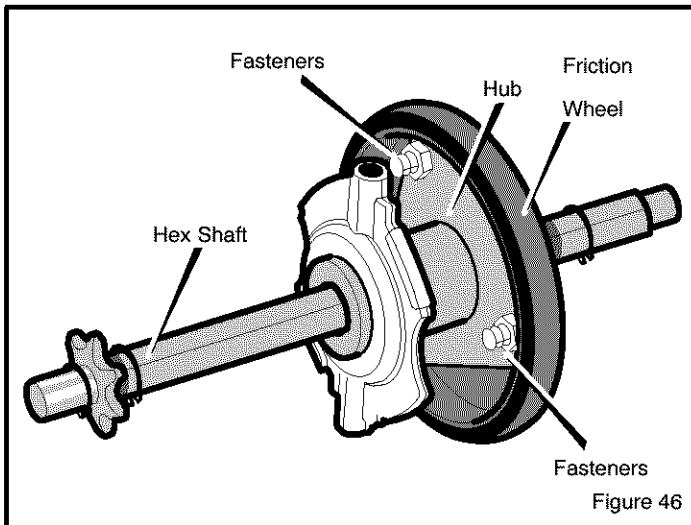
8. Remove the four **bolts** that hold the **bearings** on each side of the **hex shaft** (see Figure 45).
9. Remove the **hex shaft** and **bearings**.

NOTE: Take special note of the position of the washers on the hex shaft.



ADJUSTMENT/REPAIR

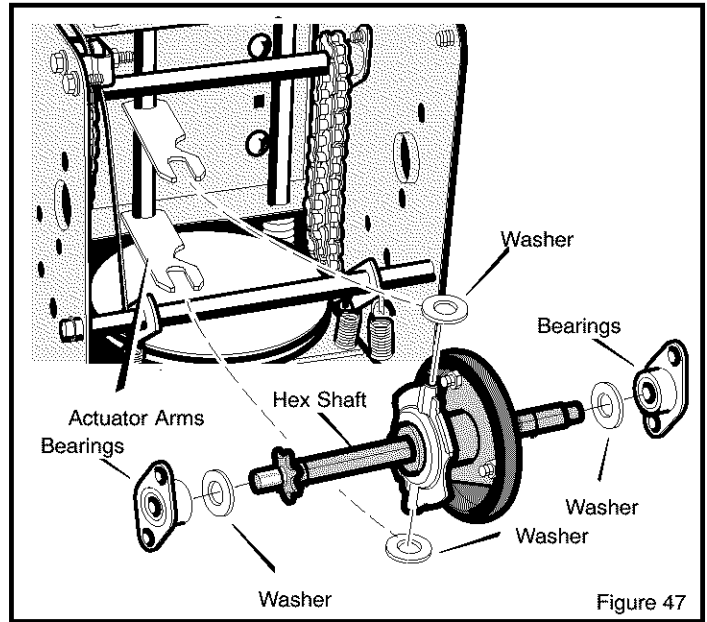
10. Remove the three **fasteners** that hold the **friction wheel** to the **hub** (see Figure 46).
11. Remove the **friction wheel** from the **hub**. Slip the **friction wheel** off the **hex shaft**.
12. Assemble the new **friction wheel** onto **hub** with the fasteners removed earlier.



13. Install the **hex shaft** and **bearings** with the four bolts removed earlier (see Figure 47).

Make sure the washers are properly installed in the original position. Also, make sure the two washers are properly aligned with the actuator arms.

14. Make sure the **hex shaft** turns freely.



15. Install the right wheel, **axle**, and **drive sprocket** with the fasteners removed earlier. Install the **chain** onto the **drive sprocket** (see Figure 44).
16. Check the adjustment of the friction wheel. See "How To Adjust The Friction Wheel" in this section.
17. Make sure the friction wheel and the disc drive plate are free from grease or oil.
18. Install the **bottom panel** (see Figure 43).
19. Tighten the **bolts** on each side of the **bottom panel**.
20. Install the **left wheel** to the **axle** with the fasteners removed earlier.
21. Connect the spark plug wire.

ADJUSTMENT/REPAIR

AUGER SHEAR BOLT REPLACEMENT

The augers are secured to the auger shaft with special bolts that are designed to break if an object becomes lodged in the auger housing. Use of a harder bolt will reduce the protection provided by the shear bolt. To replace a broken shear bolt, proceed as follows:



WARNING: To insure safety and performance levels, only original replacement shear bolts should be used.

1. Move throttle to STOP, disengage all controls, disconnect the spark plug lead wire, and insure all moving parts have stopped.
2. Lubricate the auger shaft zerk fittings (see Lubrication Points in the Maintenance section of this manual).
3. Align the hole in the auger with the hole in the auger shaft. Install new shear bolt, spacer and locknut found in the toolbox located on the belt cover (See Figure 48). Tighten with the shear bolt wrench.

NOTE: For the operator's convenience, the shear bolt wrenches are located in the toolbox.

NOTE: The spacer fits into the larger hole in the auger tube.

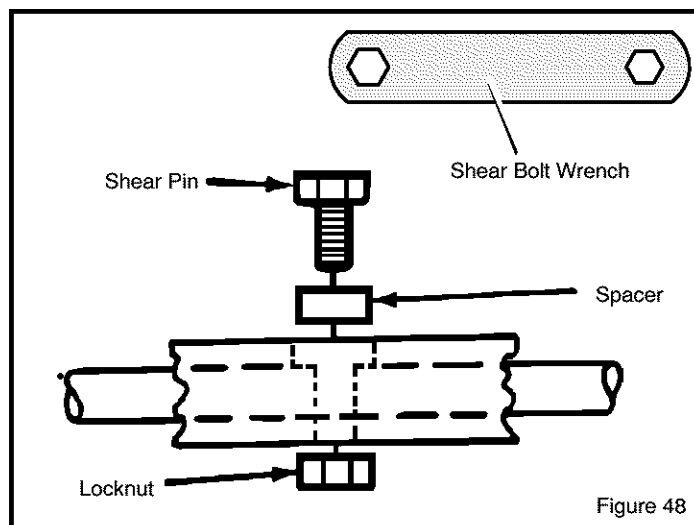


Figure 48

SPARK PLUG ADJUSTMENT (SEE FIGURE 49)

NOTICE: This spark ignition system meets all requirements of the Canadian Interference-Causing Equipment Regulations.

1. Clean spark plug and reset gap periodically.
2. Clean area around spark plug base before removal, to prevent dirt from entering engine.
3. Replace spark plug if electrodes are pitted or burned or if porcelain is cracked.
4. Clean spark plug by carefully scraping electrodes (do not sandblast or use wire brush).
5. Be sure spark plug is clean and free of foreign material. Check electrodes gap with a wire feeler gauge and reset gap to 0.030" (0.76 mm) if necessary. If a new spark plug is needed, refer to Engine Repair Parts section of this manual for proper replacement spark plug.
6. Before installing spark plug, coat threads lightly with graphite grease to insure easy removal.

7. Tighten plug firmly into engine. If torque wrench is available, torque plug to 18–23 ft-lbs.

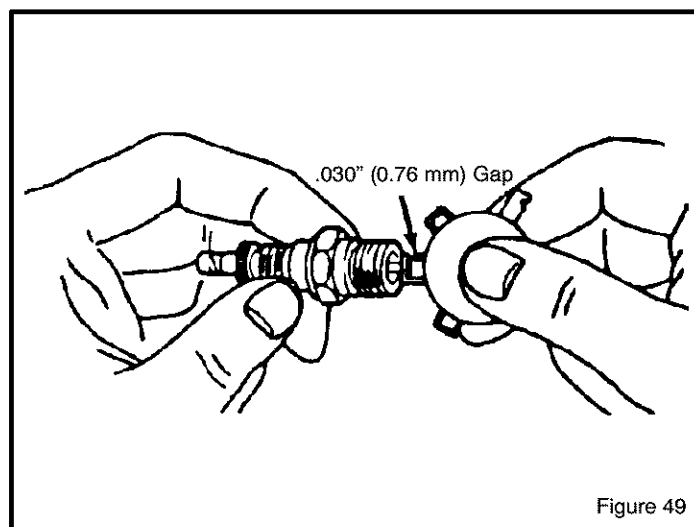


Figure 49

STORAGE

OFF SEASON STORAGE



WARNING: Never store engine with fuel in tank indoors or in enclosed, poorly ventilated enclosures, where fuel fumes may reach an open flame, spark or pilot light as on a furnace, water heater, clothes dryer, etc.

Handle gasoline carefully. It is highly flammable and careless use could result in serious fire damage to your person and /or property.

Drain fuel into approved containers outdoors, away from open flame.

If the snow blower is to be stored for thirty (30) days or more at the end of the snow season, the following steps are recommended to prepare your snow blower for storage.

NOTE: Gasoline must be removed or treated to prevent gum deposits from forming in the tank, filter, hose, and carburetor during storage.

1. To remove gasoline, run engine until tank is empty and engine stops. Then drain remaining gasoline from carburetor by pressing upward on bowl drain located on the bottom of carburetor (see Figure 50).



WARNING: Drain gasoline outdoors, away from fire or flame.

If you do not want to remove gasoline use the fuel stabilizer supplied with unit. Add fuel stabilizer to any gasoline left in the tank to minimize gum deposits and acids. If the tank is almost empty, mix stabilizer with fresh gasoline in a separate container and add some to the tank. ALWAYS FOLLOW INSTRUCTIONS ON STABILIZER CONTAINER. THEN RUN ENGINE AT LEAST 10 MINUTES AFTER STABILIZER IS ADDED TO ALLOW MIXTURE TO REACH CARBURETOR. STORE SNOW BLOWER IN SAFE PLACE.

2. You can help keep your engine in good operating condition by changing oil before storage.

3. Lubricating the piston/cylinder area. This can be done by first removing the spark plug and squirting clean engine oil into the spark plug hole. Then cover the spark plug hole with a rag to absorb oil spray. Next, rotate the engine by pulling the starter two or three times. Finally, reinstall spark plug and attach spark plug wire.
4. Thoroughly clean the snow blower.
5. Lubricate all lubrication points (see Lubrication, see Customer Responsibilities).
6. Insure that all nuts, bolts, and screws are securely fastened. Inspect all visible moving parts for damage, breakage, and wear. Replace if necessary.
7. Touch up all rusted or chipped paint surfaces; sand lightly before painting.
8. Cover the bare metal parts of the blower housing auger, and the impeller with rust preventative.
9. If possible, store your snow blower indoors and cover it to give protection from dust and dirt.
10. If the machine must be stored outdoors, block up the snow blower and insure the entire machine is off the ground. Cover the snow blower with a heavy tarpaulin.

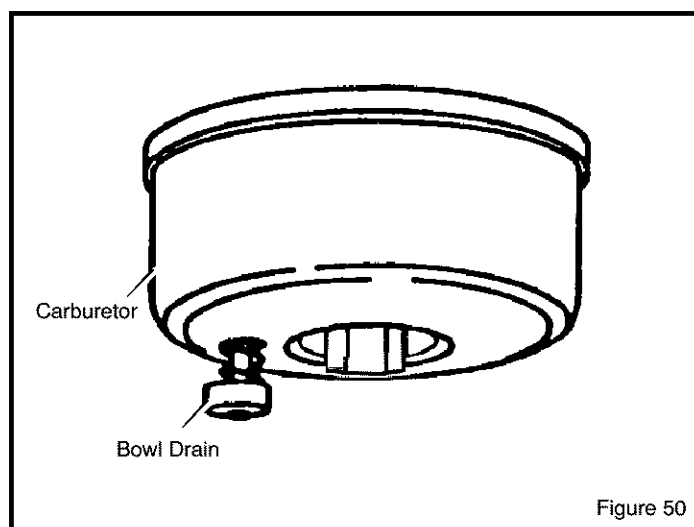


Figure 50

TROUBLE SHOOTING CHART

PROBLEM	LOOK FOR	REMEDY
Difficult starting	Defective spark plug.	Replace defective spark plug.
Engine runs erratically	Blocked fuel line.	Clean fuel line.
	Empty gas tank.	Check fuel supply,
	Stale gasoline.	Add fresh gasoline.
	Water or dirt in fuel system.	Remove carburetor bowl to drain fuel tank. Refill with fresh fuel. CAUTION: Do not remove carburetor bowl when the engine is hot.
Engine stalls	Unit running on CHOKE.	Set choke lever to RUN position.
Loss of power	Gas cap vent hole is plugged.	Remove ice and snow from cap. Be sure vent hole is clear.
Excessive vibration	Loose parts or damaged impeller.	Stop engine immediately and remove spark plug wire. Tighten all bolts and make all necessary repairs. If vibration continues, have the unit serviced by a competent repairman.
Unit fails to propel itself	Drive belt loose or damaged.	Replace drive belt. Refer to Drive Belt Replacement in Adjustments/Repairs section of this manual.
	Incorrect adjustment of traction drive cable.	Adjust traction drive cable. Refer to Cable Adjustment in Adjustments/Repairs section of this manual.
	Worn or damaged friction disc.	Replace friction disc. Refer to Friction Wheel Replacement in Adjustments/Repairs section of this manual.
Unit fails to discharge snow	Auger drive belt loose or damaged.	Replace or adjust auger drive belt. Refer to Drive Belt Replacement and Drive Belt Adjustment in Adjustments/Repairs section of this manual.
	Auger control cable not adjusted correctly.	Adjust auger control cable. Refer to Cable Adjustment in Adjustments/Repairs section of this manual.
	Broken shear bolt.	Replace shear bolt. Refer to Auger Shear Bolt Replacement in Adjustments/Repairs section of this manual.
	Discharge chute clogged.	Stop engine immediately and disconnect spark plug wire. Refer to the first Warning in Snow blower Operation in Operation section of this manual. Clean discharge chute and inside of auger housing.
	Foreign object lodged in auger.	Stop engine immediately and disconnect spark plug wire. Refer to the third Warning in Snow blower Operation in Operation section of this manual. Remove object from auger.

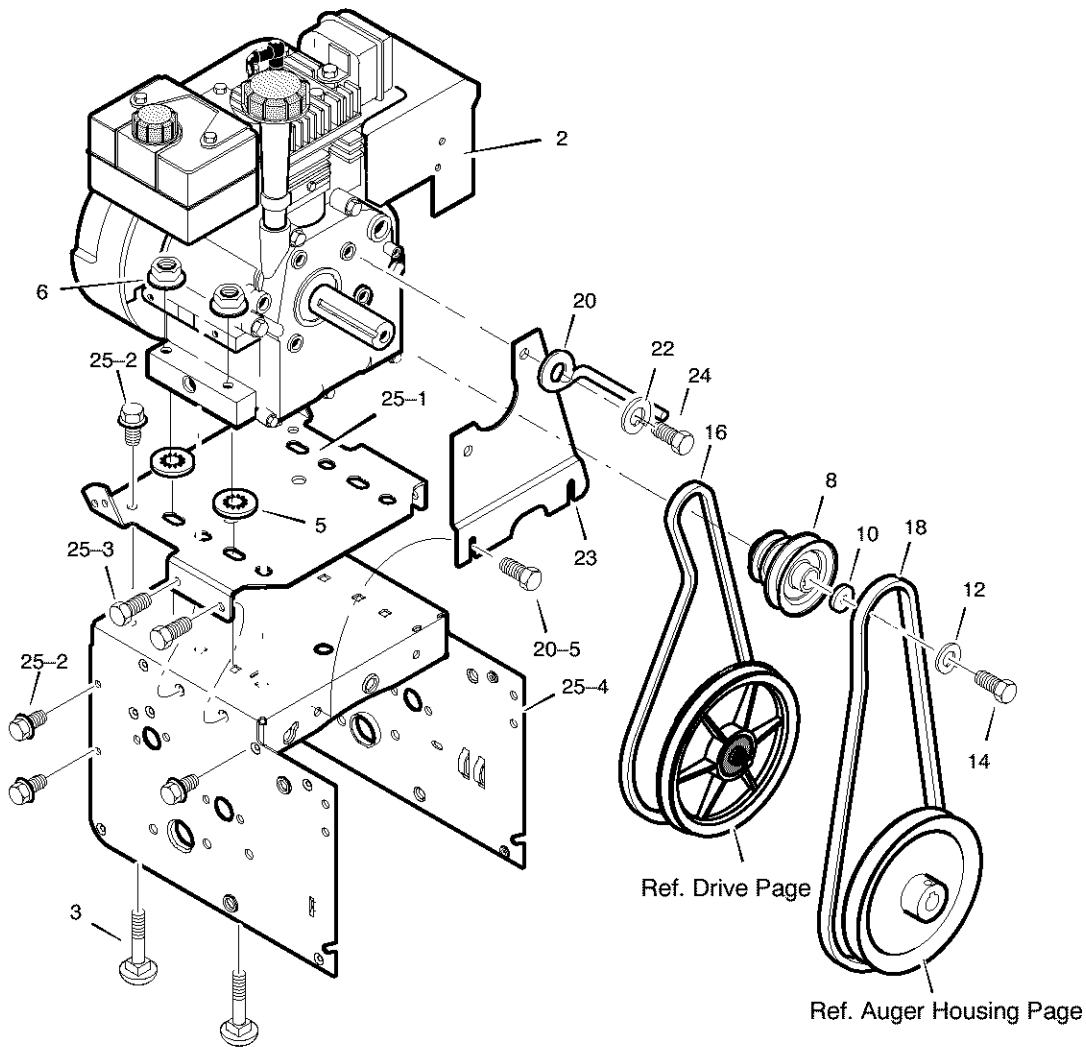
Identifying Your Snow blower

Your new Snow blower has two (2) identifying numbers: (1) unit model number: (2) unit serial number. The two preceding numbers are required to insure that the proper replacement parts are obtained when required. If you have any questions concerning parts, service, or technical data, contact your nearest Sears Service Department.

For complete warranty information refer to the warranty in the Owner's Information section of this manual.

CRAFTSMAN 27" SNOW BLOWER C950-52119-3
CRAFTSMAN 27" CHASSE-NEIGE C950-52119-3

REPAIR PARTS
PIÈCES DE RECHANGE
ENGINE / MOTEUR



Key No.
N° sur le
schéma

Part No.
N° de pièce

Description

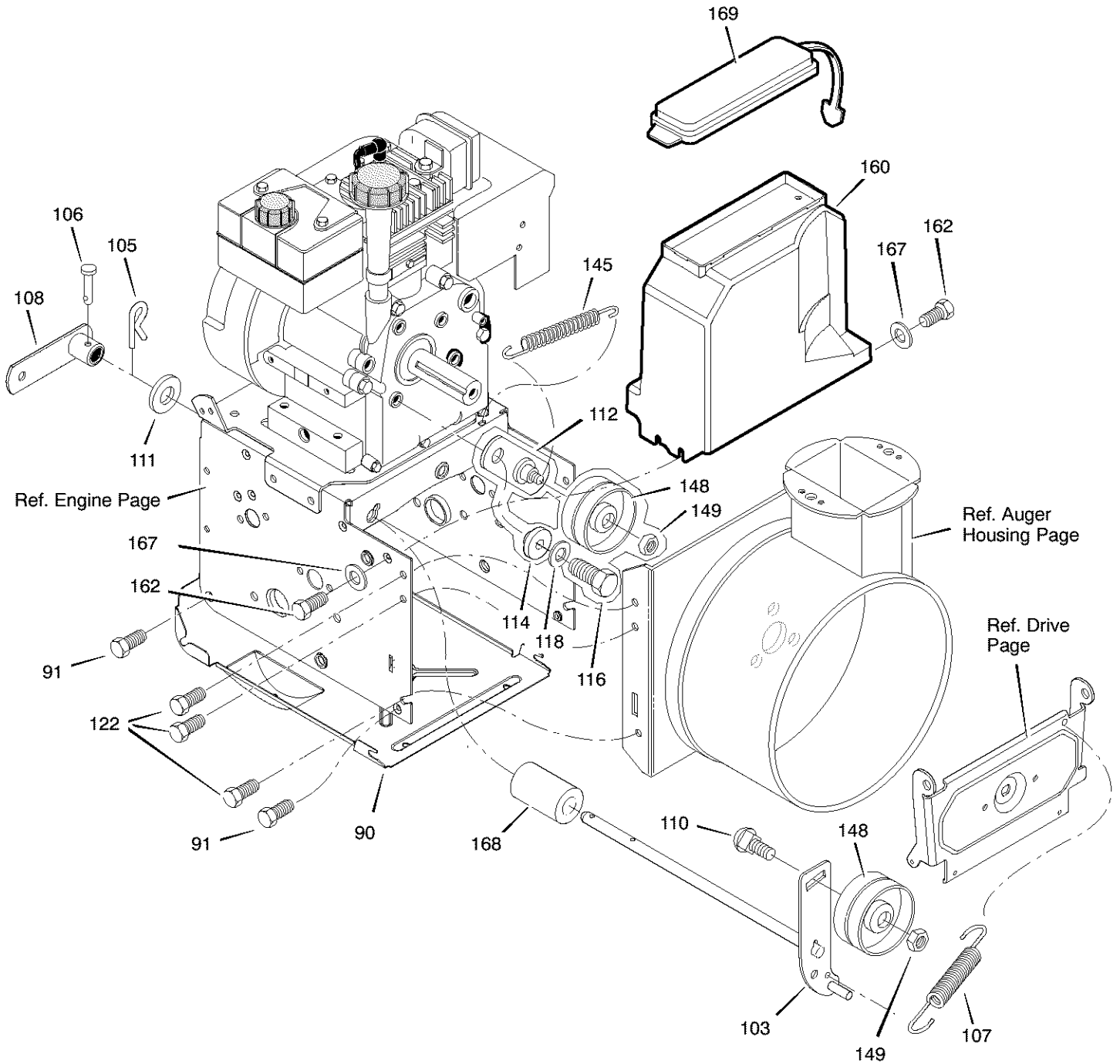
2	---	ENGINE
3	002x97	BOLT, CARRIAGE 5/16-18
5	028x64	RETAINER, PUSH
6	710026	NUT 5/16-18
8	1501109	PULLEY, ENGINE
10	710247	WASHER
12	71063	WASHER, HVSP TLK .38ID
14	71015	SCREW, 3/8-24X1.00
16	579932	BELT, V
18	585416	BELT, V
20	1501201	GUIDE, ROD BELT
22	71060	WASHER, SPTLK .31X.58X.08
23	1501482	PLATE, ANTI VIBRATION
24	910828	SCREW, 5/16-24X 1.00
25	-----	FRAME ASSEMBLY
25-1	1501062E549	PLATE, ENGINE MOUNT
25-2	310169	SCREW 1/4-20 X .63
25-3	25x020	SCREW 5/16-18 X .50
25-4	1501049E549	FRAME, MOTOR BOX
25-5	26x263	SCREW
---	F-031020L	OWNER'S MANUAL

Description

MOTEUR
BOULON, PO. 5/16-18
RONDELLE DE RETENUE
ECROU 5/16-18
POULIE MOTRICE DOUBLE
RONDELLE
RONDELLE-FREIN DI .38
VIS, 3/8-24X1.00
COURROIE TRAPEZOID. 3L 33.13LG
COURROIE TRAPEZOID. 4L35.6 LG
GUIDE DE COURROIE
RONDELLE-FREIN .31X.58X.08
PLAQUE DE ANTI VIBRATION
VIS 5/16-24X 1.00
CHASSIS DE MONTAGE, MOTEUR
PLAQUE DE MONTAGE, MOTEUR
VIS 1/4-20 X .63
VIS 5/16-18 X .50
SUPPORT DE MONTAGE, MOTEUR
VIS
MANUEL D'UTILISATION

CRAFTSMAN 27" SNOW BLOWER C950-52119-3
CRAFTSMAN 27" CHASSE-NEIGE C950-52119-3

REPAIR PARTS
PIÈCES DE RECHANGE
FRAME / BÂTI



CRAFTSMAN 27" SNOW BLOWER C950-52119-3
CRAFTSMAN 27" CHASSE-NEIGE C950-52119-3

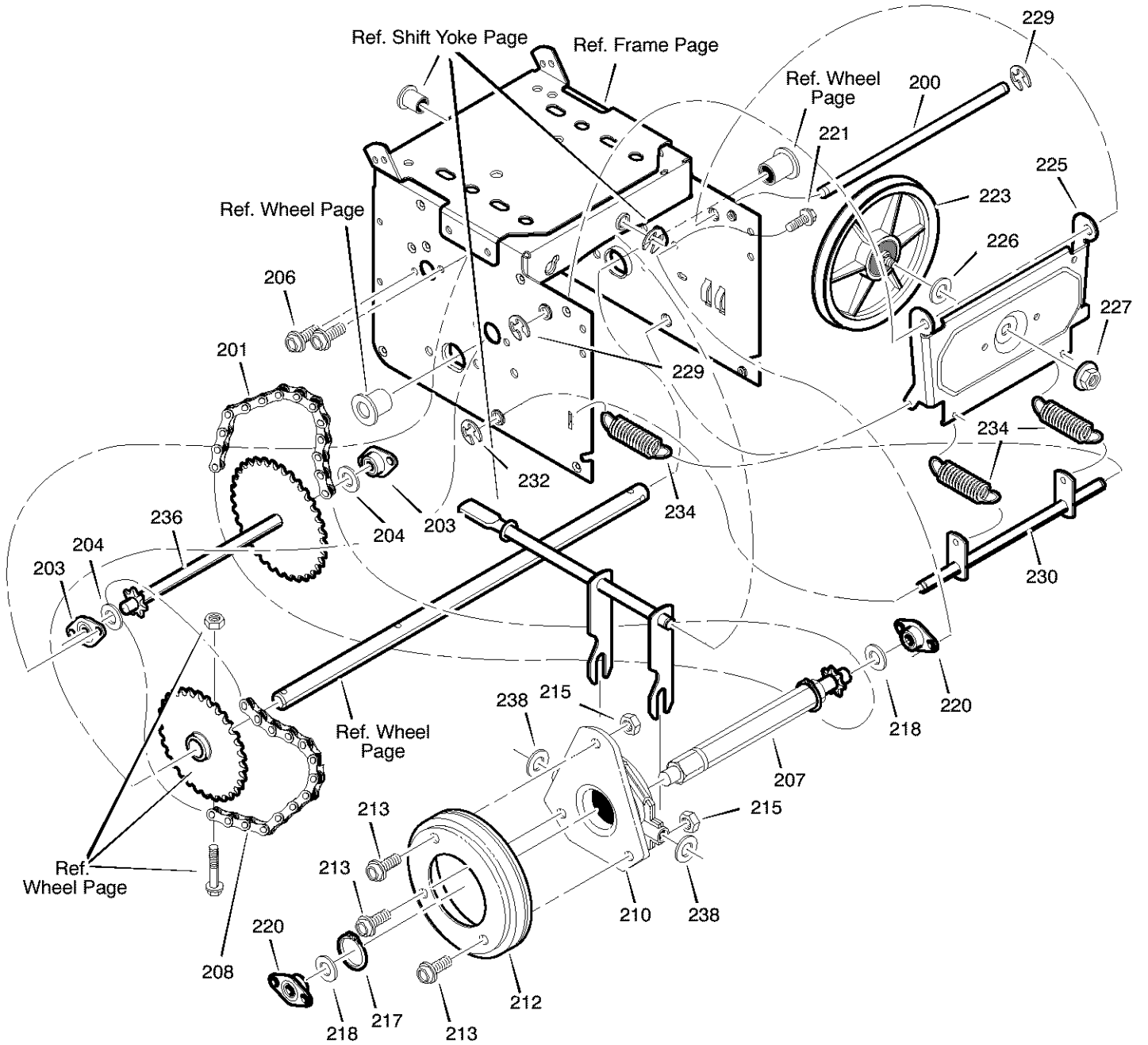
REPAIR PARTS
PIÈCES DE RECHANGE
FRAME / BÂTI

Key No. N° sur le schéma	Part No. N° de pièce	Description	Description
90	1501055E701	COVER, BOTTOM	PANNEAU INFERIEUR
91	310169	SCREW, 1/4-20X .63	VIS 1/4-20X .63
103	1501226 YZ	IDLER ASSEMBLY, AUGER	BRAS DE POULIE LIBRE. ENTRAINEMENT DES LAMES
105	711682	PIN, HAIR .38DIAX1.64LG	GOUPILLE BETA
106	761761	PIN, CLEVIS 3/16" DIA	GOUPILLE
107	165x159	SPRING, TENSION	RESSORT DE TENSION
108	761675 YZ	ASSY., SPRING ATTACH	PATTE DE FIXATION POUR RESSORT
110	585781	BOLT, 3/8-16X1.25 CARR.	BOULON BLOQUANT 3/8-16X1.25
111	711617	WASHER, FLAT	RONDELLE PLATE
112	1501112 YZ	BRACKET ASSEMBLY, IDLER	PATTE DE FIXATION, POULIE LIBRE
114	1501065	BUSHING, IDLER BRACKET	ENTRETOISE, FIXATION DE POULIE LIBRE
116	910828	SCREW 5/16-24 X 1.00	VIS 5/16-24 X 1.00
118	71060	WASHER, SPLIT	RONDELLE-FREIN
122	780055	SCREW, TAP 5/16-18 X .50	VIS 5/16-18 X .50
145	165x164	SPRING, IDLER TRACTION DRIVE	RESSORT DE POULIE LIBRE, SYSTEME DE TRACTION
148	50793	PULLEY, IDLER	POULIE LIBRE
149	590	NUT, JAM 3/8-16	CONTRE-ECROU 3/8-16
160	1501052	COVER, BELT	CARTER DES COURROIES
162	26X306	SCREW, TAP	VIS
166	71067	WASHER, FLAT	RONDELLE PLATE
168	1501200	SPACER, AUGER BRACKET	ENTRETOISE, FIXATION DES LAMES CHASSE-NEIGE
169	760539	LID, TOOL BOX	COUVERCLE DE BOITE A OUTILS

CRAFTSMAN 27" SNOW BLOWER C950-52119-3
CRAFTSMAN 27" CHASSE-NEIGE C950-52119-3

REPAIR PARTS
PIÈCES DE RECHANGE

DRIVE / BÂTI DE MONTAGE DU MOTEUR



CRAFTSMAN 27" SNOW BLOWER C950-52119-3
CRAFTSMAN 27" CHASSE-NEIGE C950-52119-3

REPAIR PARTS
PIÈCES DE RECHANGE

DRIVE / BÂTI DE MONTAGE DU MOTEUR

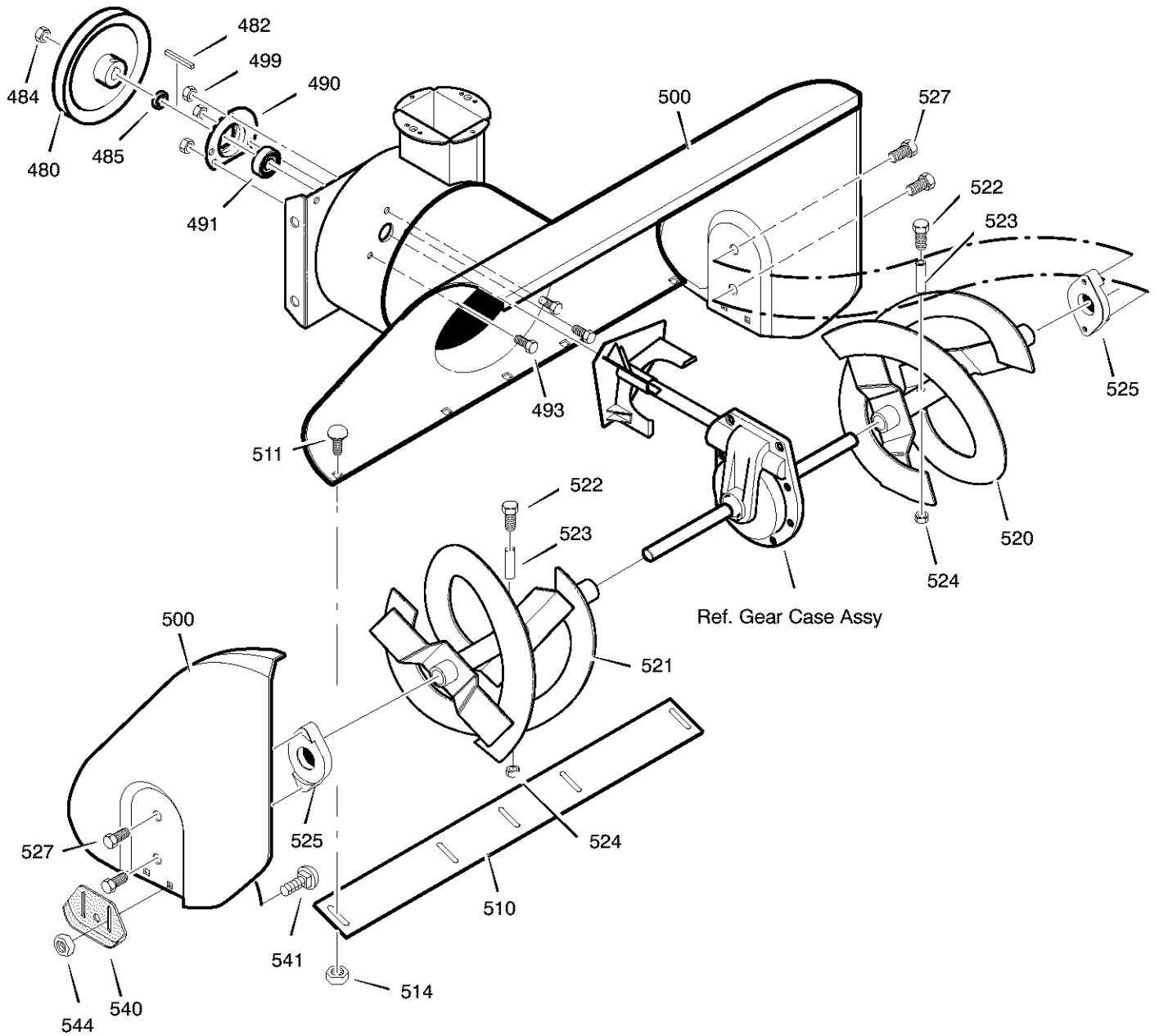
Key No. N° sur le schéma	Part No. N° de pièce	Description	Description
200	1501092 YZ	LF AXLE, SWING PLATE YZ	PANNEAU ARTICULE
201	579851	CHAIN, ROLLER #420 x19.00	CHAÎNE A GALETS #420 x19.00
203	334163	BEARING AND RETAINER, ASSY	ROULEMENT AVEC FIXATION
204	579858	WASHER	RONDELLE
206	780055	SCREW, TAP 5/16-18x0.5	VIS, 5/16-18x0.5
207	1501236	ASSY, HEX SHAFT	ARBRE HEXAGONAL
208	579868	CHAIN, ROLLER #420 x18.00 LG	CHAÎNE A GALETS #420 x18.00 LG
210	337029	BEARING, TRUNION CLUTCH R	PALIER
212	1501435	WHEEL, FRICTION DISC	ROUE DE FRICTION
213	001X38	BOLT	BOULON
215	303008	NUT, KEPS HEX 1/4-20	ECROU 6 PANS 1/4-20
217	579859	RING, RETEXT	CIRCLIP
218	579858	WASHER	RONDELLE
220	334163	BEARING AND RETAINER, ASSY	ROULEMENT AVEC FIXATION
221	780055	SCREW, TAP 5/16-18 x .5	VIS, 5/16-18 x .5
223	1501115	ASSY, FRICTION PULLEY	POULIE, SYSTEME DE FRICTION
225	1501057 YZ	LF PLATE, SWINGING YZ	PANNEAU ARTICULE
226	1501158	SPACER, FRICTION PULLEY	ENTRETOISE DE POULIE, SYSTEME DE FRICTION
227	15X114	NUT, FLANGE LOCK 3/8-24	ECROU A COLLET 3/8-24
229	11X30	RETAINER, RING	CIRCLIP
230	1501107 YZ	LF ASSY, SPRING LINK YZ	TRINGLE D'ATTACHE DES RESSORTS
232	11X30	RETAINER, RING	CIRCLIP
234	165X112	SPRING, EXTENSION	RESSORT D'EXTENSION
236	1501237	WLD, INTERMED SPROCKET 33T/7	PIGNON INTERMEDIAIRE 33T/7
238	71074	WASHER, FLAT	RONDELLE PLATE



CRAFTSMAN 27" SNOW BLOWER C950-52119-3
CRAFTSMAN 27" CHASSE-NEIGE C950-52119-3

REPAIR PARTS
PIÈCES DE RECHANGE

AUGER HOUSING / VIS SANS FIN



CRAFTSMAN 27" SNOW BLOWER C950-52119-3
CRAFTSMAN 27" CHASSE-NEIGE C950-52119-3

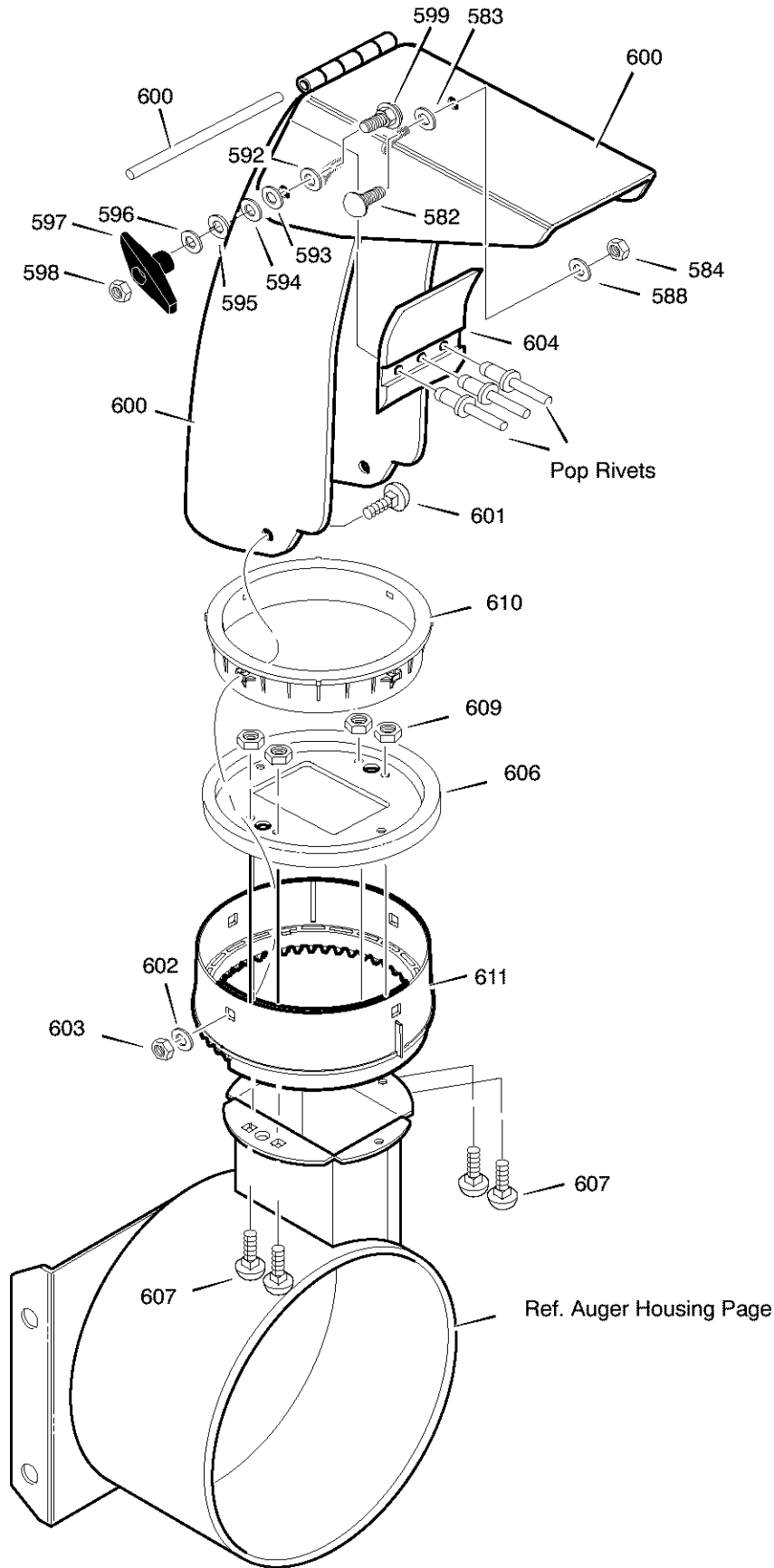
REPAIR PARTS
PIÈCES DE RECHANGE
AUGER HOUSING / VIS SANS FIN

Key No. N° sur le schéma	Part No. N° de pièce	Description	Description
480	583146	PULLEY, 4L 8.40 OD.	POULIE 4L 8.40
482	2001022	KEY, SQUARE 3/16 X 3/4	CLAVETTE A SECTION CARREE 3/16 X 3/4
484	15X112	NUT, .50-20 HEXWDFLLK	ECROU, 6 PANS .50-20
485	1501158	SPACER, FRICTION PULLEY	ENTRETOISE DE POULIE, SYSTEME DE FRICTION
490	582957 YZ	RETAINER, BALL BRNG	CAPUCHON DE ROULEMENT A BILLES
491	43846	BEARING, BALL	ROULEMENT À BILLES
493	001X92	BOLT, HEX 5/16-18X .50	BOULON 6 PANS 5/16-18X .50
499	710026	NUT, 5/16-18 HEXWDFLLK	ECROU 6 PANS 5/16-18
500	1501132E549	HOUSING, ASSY	CARTER DES LAMES CHASSE-NEIGE
510	760661E701	BLADE, SCRAPER	LAME RACLEUSE
511	340720	BOLT, 5/16-18x0.75	BOULON 5/16-18x0.75
514	710026	NUT, 5/16-18	ECROU 5/16-18
520	760605E701	AUGER, ASSY, LH	LAME CHASSE-NEIGE (VIS SANS FIN), GAUCHE
521	760606E701	AUGER, ASSY, RH	LAME CHASSE-NEIGE (VIS SANS FIN), DROITE
522	9524	SCREW, 1/4-20X1.75	VIS 1/4-20X1.75
523	3943	SPACER, SLEEVE	ENTRETOISE
524	73826	NUT, 1/4-20	ECROU 1/4-20
525	53757	BEARING, FLANGE	PALIER A BRIDE
527	70984	SCREW, 5/16-18X .75	VIS 5/16-18X .75
540	309016E701	SKID, HEIGHT ADJUST	PATIN REGLABLE
541	340720	BOLT, 5/16-18 X .75	BOULON 5/16-18 X .75
544	710026	NUT, 5/16-18	ECROU 5/16-18
—	1501216	KIT, SHEAR BOLT	
—	680230 Z	WRENCH	

CRAFTSMAN 27" SNOW BLOWER C950-52119-3
CRAFTSMAN 27" CHASSE-NEIGE C950-52119-3

REPAIR PARTS
PIÈCES DE RECHANGE

DISCHARGE CHUTE / DÉFLECTEUR DE GOULOTTE

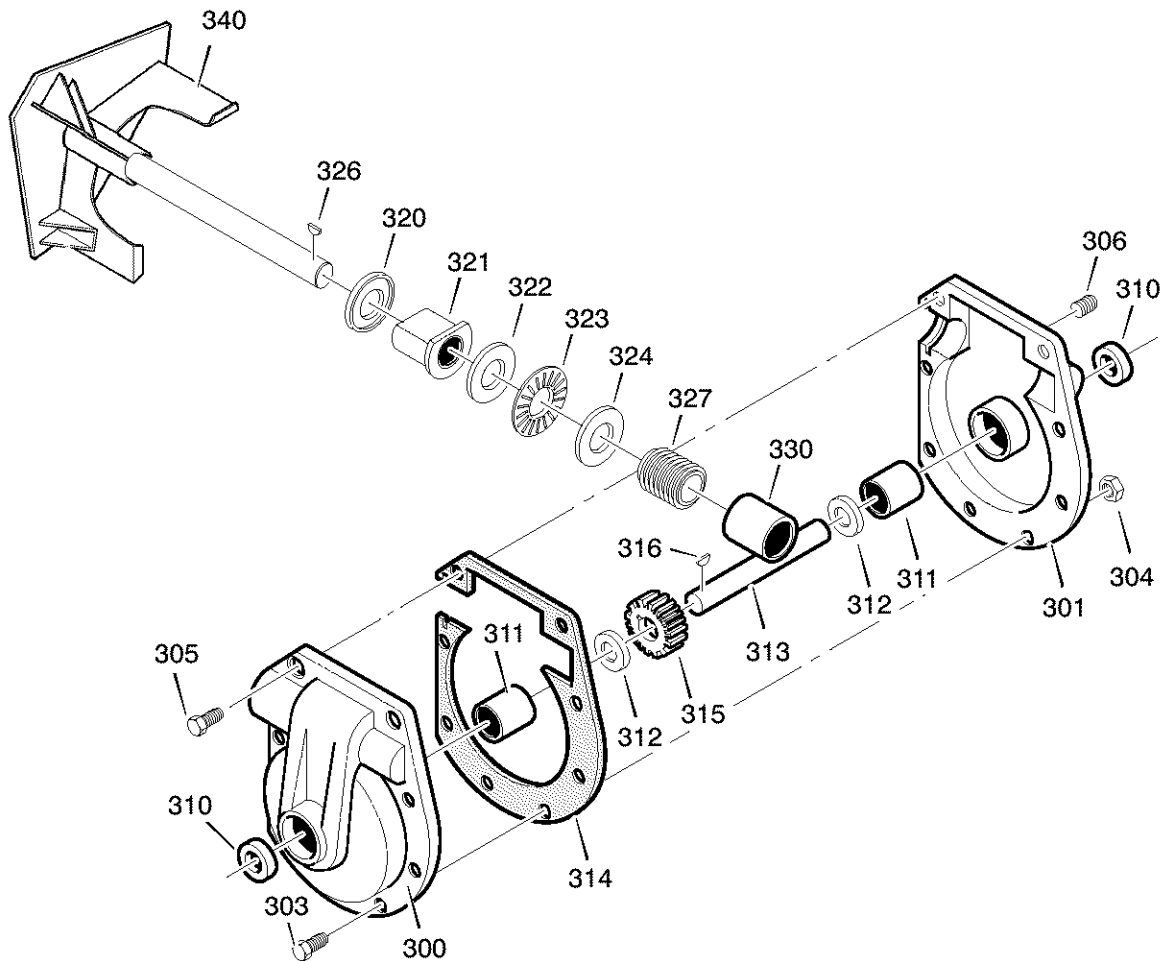


CRAFTSMAN 27" SNOW BLOWER C950-52119-3
CRAFTSMAN 27" CHASSE-NEIGE C950-52119-3**REPAIR PARTS**
PIÈCES DE RECHANGE
DISCHARGE CHUTE / DÉFLECTEUR DE GOULOTTE

Key No. N° sur le schéma	Part No. N° de pièce	Description	Description
582	340720	BOLT, CARRIAGE 5/16-18 X.75	BOULON AUTOBLOQUANT 5/16-18X.75
583	12021	WASHER, PLASTIC	RONDELLE PLASTIQUE
584	71038	NUT, 5/16-18 REGHEX NYLOCK	ECROU 6 PANS 5/16-18 REGHEX NYLOCK
588	6711	WASHER, PLASTIC	RONDELLE PLASTIQUE
593	6711	WASHER, PLASTIC	RONDELLE PLASTIQUE
594	71071	WASHER, FLAT	RONDELLE PLATE
595	71060	WASHER, SPLIT	RONDELLE-FREIN
596	71071	WASHER, FLAT	RONDELLE PLATE
597	57171	KNOB, T 3.00	POIGNEE T 3.00
598	15x144	NUT, 5/16-18 REGHEX	ECROU 6 PANS 5/16-18 REGHEX
599	3316	BOLT, 5/16-18X1.00	BOULON 5/16-18X1.00
600	760990E701	CHUTE ASSEMBLY	ENSEMBLE DEVERSOIR
601	2x100	BOLT, 5/16-18 X1.00	BOULON 5/16-18X1.00
602	71071	WASHER, FLAT	RONDELLE PLATE
603	71038	NUT, 5/16-18 HEXNYL	ECROU 6 PANS 5/16-18 HEXNYL
604	760268	FLAP, CHUTE	BAVETTE DE DEVERSOIR
606	585214 YZ	CHUTE COLLAR	COUVERCLE DE COURONNE DE DEVERSOIR
607	02x101	SCREW, 1/4-20 X 0.75	VIS 1/4-20 X 0.75
609	15x145	NUT, 1/4-20 HEX NYLOCK	ECROU 6 PANS 1/4-20 NYLOCK
610	337227	RETAINER RING INNER	COURONNE INTERNE
611	1501282	RETAINER RING OUTER	COURONNE EXTERNE

CRAFTSMAN 27" SNOW BLOWER C950-52119-3
CRAFTSMAN 27" CHASSE-NEIGE C950-52119-3

REPAIR PARTS
PIÈCES DE RECHANGE
GEAR CASE / BOÎTER



Key No.
N° sur le
schéma

Part No.
N° de
pièce

Description

300	896	CASE, GEAR, RH
301	895	CASE, GEAR, LH
303	910828	SCREW, 5/16-24 X 1.00
304	71100	NUT, 5/16-24
305	330434	SCREW, 5/16-24 X 1.50
306	53749	PLUG, PIPE
310	780151	SEAL, OIL
311	53743	BEARING
312	53748	WASHER, FLAT
313	760529	SHAFT, AUGER OUTPUT
314	897	GASKET, GEAR BOX
315	53730	WORM GEAR
316	73905	KEY, WOODRUFF #91
320	53737	RING, QUAD
321	583126	BEARING, FLANGE
322	48275	WASHER, FLANGE
323	50684	BEARING, ROLLER
324	48275	WASHER, FLAT
326	50795	KEY
327	53732	GEAR, WORM
330	53731	BEARING
340	1501147E701	IMPELLER
—	333431	10oz TUBE LUBRIPLATE

Description

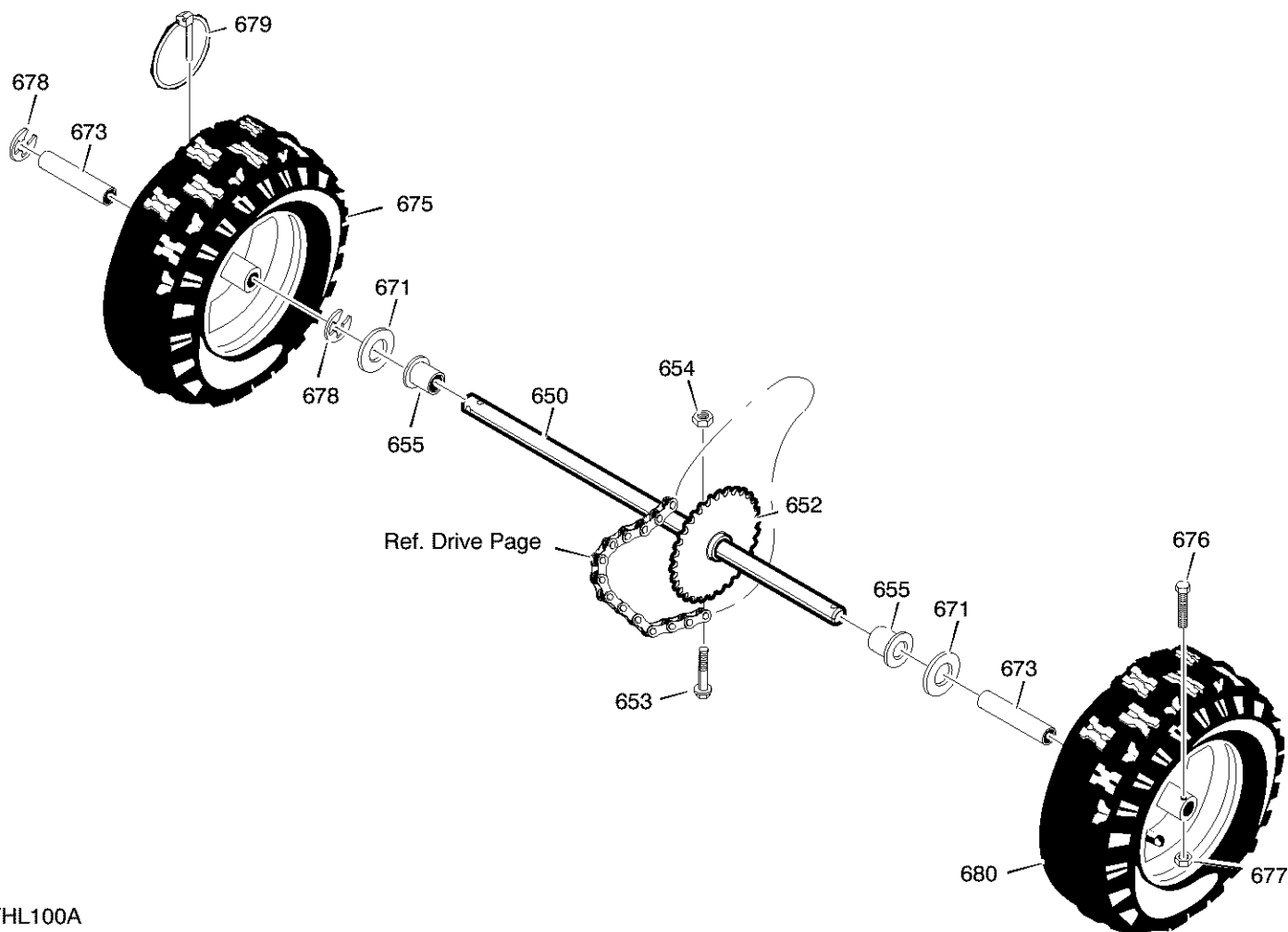
BOÎTER CÔTÉ DROIT
BOÎTER CÔTÉ GAUCHE
VIS, 5/16-24 X 1.00 PO.
ÉCROU, 5/16-24
VIS, 5/16-24 X 1.50
PRISE DE PIPE
JOINT À LÈVRE
PALIER
RONDELLE PLATE
ARBRE DE VIS SANS FIN
JOINT PLAT
PIGNON
CLAVETTE DEMI-LUNE No. 91
ANNEAU DE QUADRUPLE
PALIÉR
RONDELLE
PALIER
RONDELLE, PLATE
CLAVETTE
PIGNON
PALIER
ARBRE DE LA TURBINE
10oz LUBRIPLATE

* (NOT ILLUSTRATED)

* (NON ILLUSTRÉ)

CRAFTSMAN 27" SNOW BLOWER C950-52119-3
CRAFTSMAN 27" CHASSE-NEIGE C950-52119-3

REPAIR PARTS
PIÈCES DE RECHANGE
WHEELS / ROUE

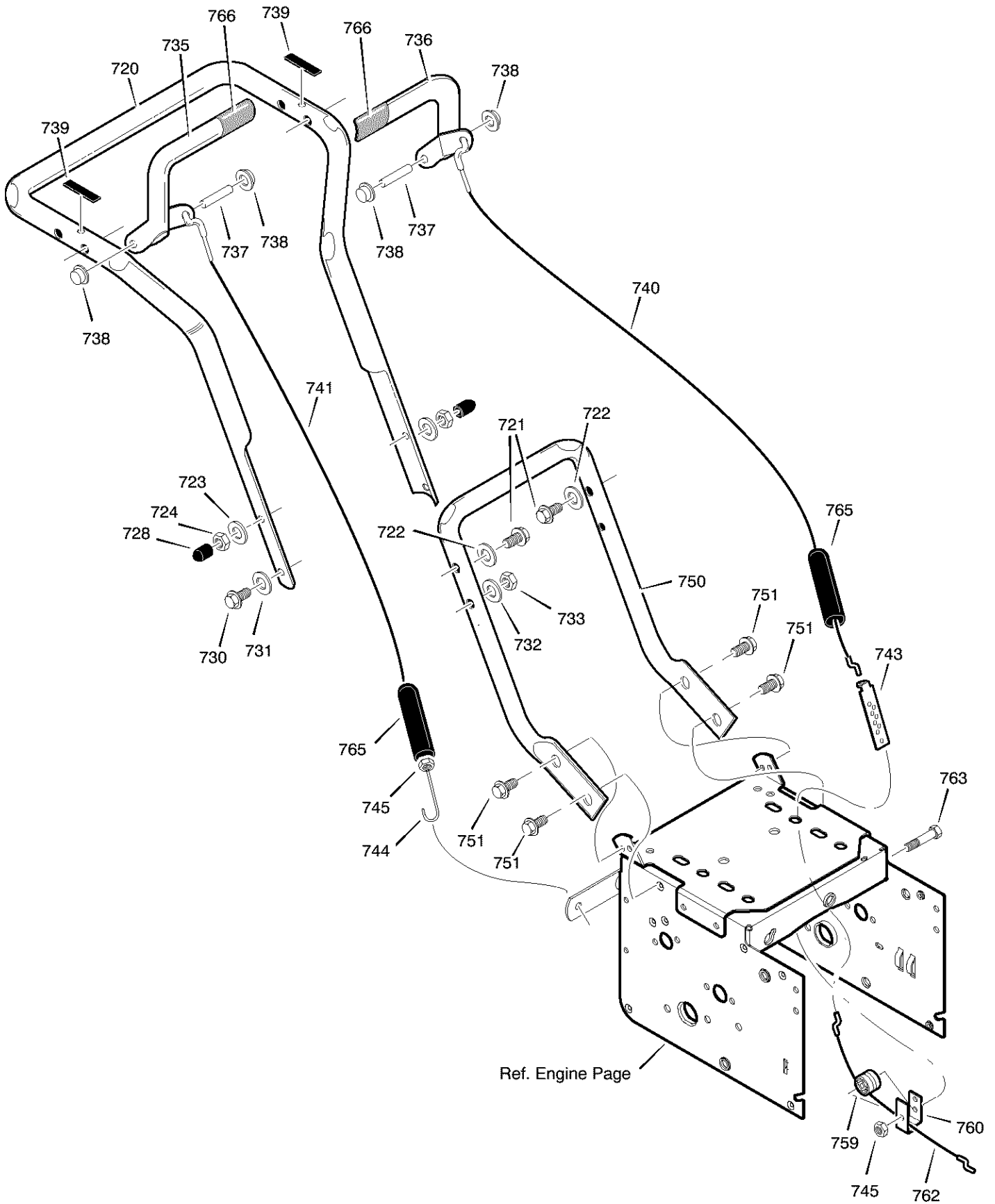


WHL100A

Key No. N° sur le schéma	Part No. N° de pièce	Description	Description
650	1501284 YZ	SHAFT, AXLE	D'ARBRE, ROUE
652	1501089	SPRKT & HUB	ROUE DENTÉE MONTAGE
653	01x193	SCREW, 1/4-20 x 1.75	VIS, 1/4-20X 1.75 PO.
654	15x145	NUT, 1/4-20 HEX NYLOCK	ÉCROU, 1/4-20
655	1501114	BEARING, AXLE	PALIER
671	712120	WASHER, FLAT	RONDELLE PLATE
673	1501138	BUSHING, WHEEL	PALIER
675	1501022	TIRE & RIM, RIGHT	ROUE MONTAGE, GAUCHE
676	577015	SCREW, 1/4-20X1.75 HH	VIS, 1/4-20X1,75 PO.
677	15x145	NUT, 1/4-20 HEX NYLOCK	ÉCROU, 1/4-20
678	239	RING, RET	RONDELLE DE RETENUE
679	73842	PIN, KLIK .25 X 1.38 DIA	GOUPILLE À ANNEAU
680	1501021	TIRE & RIM, LEFT	ROUE MONTAGE, DROIT

CRAFTSMAN 27" SNOW BLOWER C950-52119-3
CRAFTSMAN 27" CHASSE-NEIGE C950-52119-3

REPAIR PARTS
PIÈCES DE RECHANGE
HANDLE / POIGNÉE



CRAFTSMAN 27" SNOW BLOWER C950-52119-3
CRAFTSMAN 27" CHASSE-NEIGE C950-52119-3

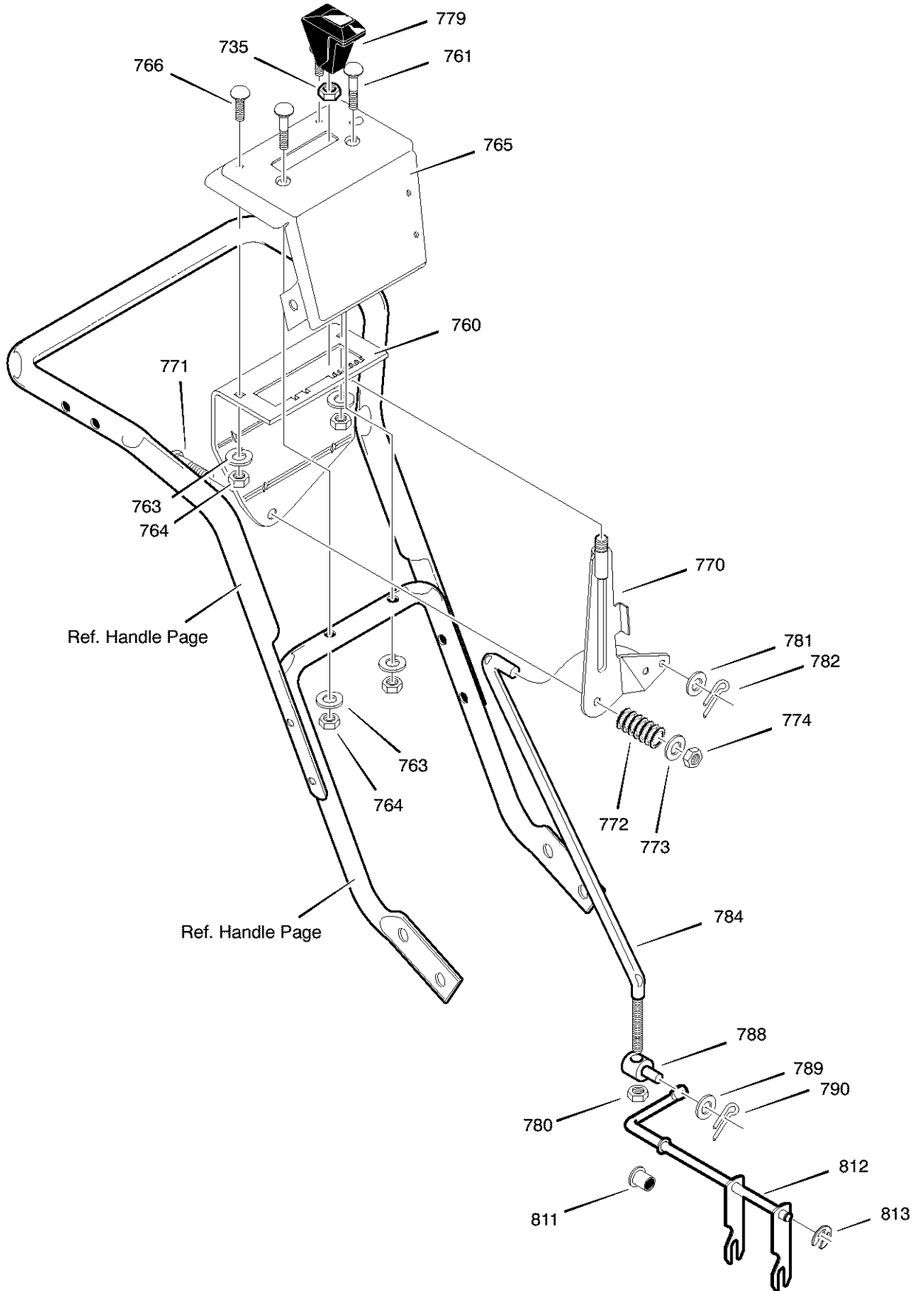
REPAIR PARTS
PIÈCES DE RECHANGE
HANDLE / POIGNÉE

Key No. N° sur le schéma	Part No. N° de pièce	Description	Description
720	310614E701	HANDLE, UPPER	POIGNEE, PARTIE SUPERIEURE
721	7288	SCREW, 3/8-16 X 3	VIS 3/8-16 X 3
722	71072	WASHER, FLAT	RONDELLE PLATE
723	71062	WASHER	RONDELLE
724	71044	NUT, 3/8-16	ECROU 3/8-16
728	7289	STOP, PLASTIC	CAPUCHON, PLASTIQUE
730	71007	SCREW, 3/8-16 X 2	VIS 3/8-16 X 2
731	71072	WASHER, FLAT	RONDELLE PLATE
732	71062	WASHER	RONDELLE
733	71044	NUT, 3/8-16	ECROU 3/8-16
735	5146E701	HANDLE, RIGHT	POIGNÉE, DROIT
736	5142E701	HANDLE, LEFT	POIGNÉE, GAUCHE
737	760074	PIN, PIVOT CLUTCH	AXE DE MANETTE DE COMMANDE
738	3535	NUT, PUSH ON CAP	ECROU BORGNE
739	4049	BUMPER, RECTANGLE	PATIN RECTANGULAIRE
740	1501123	CABLE, DRIVE	CÂBLE, COMMANDE DU SYSTEME DE TRACTION
741	761872	CABLE, AUGER CLUTCH	CÂBLE, COMMANDE DES LAMES CHASSE-NEIGE
743	313441	BRACKET, CABLE ADJUSTER	PIECE DE REGLAGE DU CABLE, SYSTEME DE TRACTION
744	1673	SPRING, AUGER CLUTCH	RESSORT DE CABLE, COMMANDE DES LAMES
745	15x145	NUT, 1/4-20	ECROU 1/4-20
750	5543E701	HANDLE, LOWER	POIGNEE, PARTIE INFERIEURE
751	25x021	SCREW, TAP 5/16-18 X .75	VIS 5/16-18 X .75
759	579860	SPOOL-CABLE, AUGRT CLUTCH	BOBINE DE PASSAGE DE CABLE, COMMANDE DES LAMES
760	1501059 YZ	BRACKET, CABLE SPOOL YZ	ATTACHE DE LA BOBINE DE PASSAGE DE CABLE
762	1501122	CABLE, LOWER DRIVE 12"	CABLE, PARTIE BASSE 12", COMMANDE DES LAMES
763	001798	BOLT, HEX 1/4-20 X 1.5	BOULON 1/4-20X1.5
765	308146	BOOT, CLUTCH SPRING	GAINÉ DE RESSORT, SYSTEME DE TRACTION
766	333928	GRIP	POIGNEE

CRAFTSMAN 27" SNOW BLOWER C950-52119-3
CRAFTSMAN 27" CHASSE-NEIGE C950-52119-3

REPAIR PARTS
PIÈCES DE RECHANGE

CONTROL PANEL / PANNEAU DE COMMANDE



CRAFTSMAN 27" SNOW BLOWER C950-52119-3
CRAFTSMAN 27" CHASSE-NEIGE C950-52119-3

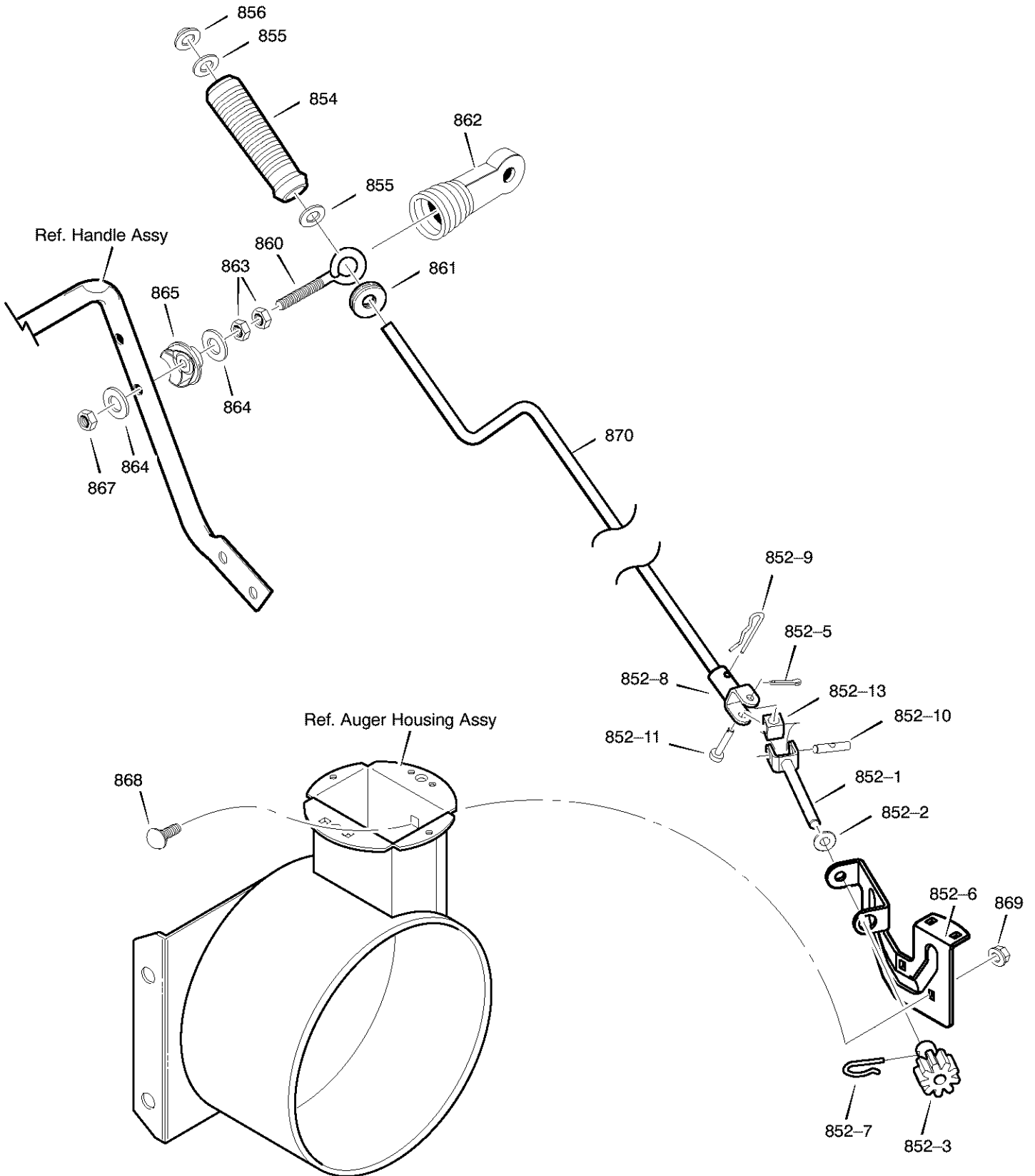
REPAIR PARTS
PIÈCES DE RECHANGE

CONTROL PANEL / PANNEAU DE COMMANDE

Key No. N° sur le schéma	Part No. N° de pièce	Description	Description
735	71045	NUT, 3/8-16 HEXJAM	ÉCROU, 3/8-16
760	308905E701	BRACKET, SHIFT CONTROL	SUPPORT DU LEVIER DE COMMANDE
761	762148	CARR. BOLT, 1/4-20 X 2	BOULON, 1/4-20 X 2
763	71059	WASHER, HVSP TLK	RONDELLE-FREIN
764	71034	NUT, 1/4-20 REGHEX	CONTRE-ÉCROU 1/4-20
765	6056E549	CONTROL PANEL	PANNEAU DE COMMANDE
766	3809	CARR. BOLT, 1/4-20 X 0.63	BOULON, 1/4-20 X 0.63 PO.
770	305260E701	SHIFT LEVER ASSY	LEVIER DE COMMANDE MONTAGE
771	302900	SCREW, 5/16-18X1.75	VIS, 5/16-18X1,75 PO.
772	50786	SPRING	RESSORT
773	71071	FLATWASHER	RONDELLE PLATE
774	71038	NUT, 5/16-18 HEXNYL	ÉCROU INDESSERRABLE 5/16-18
779	304437	GRIP	POMMEAU
780	71042	NUT, 5/16-24	ÉCROU, 5/16-24
781	71071	WASHER, FLAT .349X.69X.066	RONDELLE PLATE
782	71081	PIN, COTTER	GOUPILLE, FENDUE
784	761668	ROD, SPEED CONTROL	TIGE DE COMMANDE DE VITESSE
788	584593 YZ	NUT, TRUNNION 5/16-24	ÉCROU, TOURILLON 5/16-24
789	71071	WASHER, FLAT .349X.69X.066	RONDELLE PLATE, ,349X 69X,066
790	71081	PIN, COTTER	GOUPILLE, FENDUE
811	579944	FLANGED BEARING	PALIER
812	1501110 YZ	ROD ASSY, YOKE PANEL	LEVIER DE CHANGEMENT DE VITESSE
813	11X30	RING, RETAINER	CIRCLIP

CRAFTSMAN 27" SNOW BLOWER C950-52119-3
CRAFTSMAN 27" CHASSE-NEIGE C950-52119-3

REPAIR PARTS
PIÈCES DE RECHANGE
CHUTE ROD / GOULOTTE TIGE



CRAFTSMAN 27" SNOW BLOWER C950-52119-3
CRAFTSMAN 27" CHASSE-NEIGE C950-52119-3

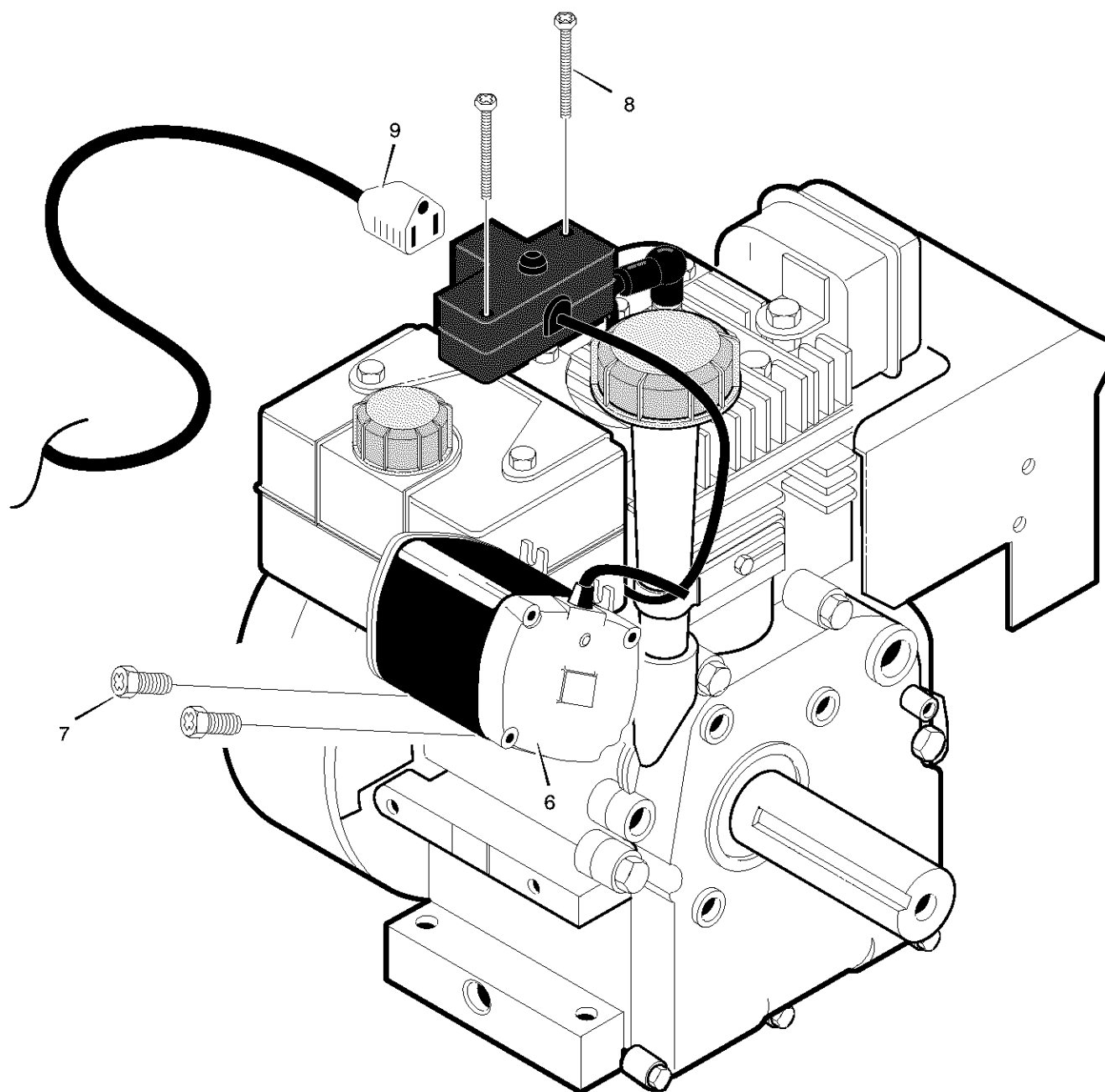
REPAIR PARTS
PIÈCES DE RECHANGE
CHUTE ROD / GOULOTTE TIGE

Key No. N° sur le schéma	Part No. N° de pièce	Description	Description
852-1	1501309 YZ	ASSEMBLY, YOKE & ROD	ENSEMBLE TRINGLE-CHAPE
852-2	313431	WASHER, CURVED SPRING	RONDELLE COURBEE
852-3	1501067	GEAR, CHUTE ROTATION 9T	PIGNON DE ROTATION DU DEVERSOIR
852-5	579493	PIN, COTTER	GOUPILLE FENDUE
852-6	1501306E701	BRACKET, CHUTE GEAR	PATTE DE FIXATION DU PIGNON
852-7	1501293	PIN, HAIR	GOUPILLE
852-8	1501075 YZ	ASSEMBLY, YOKE ADAPTER YZ	ENSEMBLE ADAPTATEUR-CHAPE
852-9	711682	PIN, HAIR	GOUPILLE BETA
852-10	578060	PIN, UNIVERSAL JOINT	GOUPILLE DE JOINT UNIVERSEL
852-11	578309	PIN, CLEVIS	GOUPILLE DE CHAPE
852-13	578063	HOUSING, UNIVERSAL	CAPUCHON DE JOINT UNIVERSEL
854	307399	KNOB, SLEEVE	POIGNEE DE MANIVELLE
855	309312	FLATWASHER	RONDELLE PLATE
856	73664	NUT, PUSH ON 3/8"	CAPUCHON 3/8"
860	581618	EYE BOLT 3/8-16X6.00	BOULON A OEIL 3/8-16X6.00
861	148	GROMMET, EYE BOLT	OEILLET
862	308145	BOOT, EYE BOLT	BOUTIE
863	71045	NUT, 3/8-16 HEXJAM	CONTRE-ECROU 6 PANS 3/8-16 HEXJAM
864	71072	FLATWASHER .406X.81X.066	RONDELLE PLATE .406X.81X.066
865	309344	ADAPTER, BOOT	ADAPTATEUR
867	71046	NUT, 3/8-16 HEXNYL	ECROU 6 PANS 3/8-16 HEXNYL
868	002X98	BOLT, CARRIAGE 1/4-20 X 1.00	BOULON AUTOBLOQUANT 1/4-20X1.00
869	15x145	NUT, 1/4-20	ÉCROU
870	1501074 YZ	CRANK, ASSY CHUTE	MANIVELLE DE DEVERSOIR

CRAFTSMAN 27" SNOW BLOWER C950-52119-3
CRAFTSMAN 27" CHASSE-NEIGE C950-52119-3

REPAIR PARTS
PIÈCES DE RECHANGE

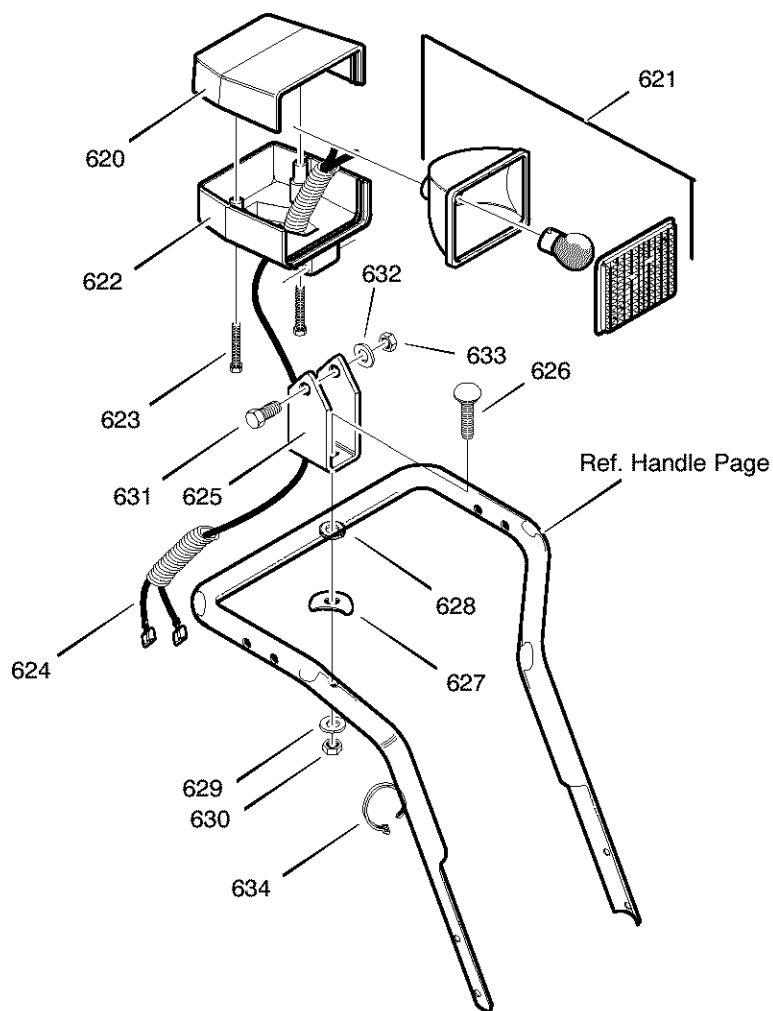
ELECTRIC STARTER / ELECTRIQUE



Key No. N° sur le schéma	Part No. N° de pièce	Description	Description
6	6218	MOTOR, STARTER	MOTEUR DÉMARREUR
7	6216	SCREW	VIS, 1/4-20 X,50
8	6217	SCREW	VIS, #6-32 X 2,50
9	6219	CORD, STARTER	CORDON, ÉLECTRIQUE

CRAFTSMAN 27" SNOW BLOWER C950-52119-3
CRAFTSMAN 27" CHASSE-NEIGE C950-52119-3

REPAIR PARTS
PIÈCES DE RECHANGE
HEADLIGHT / MONTAGE DU PHARE

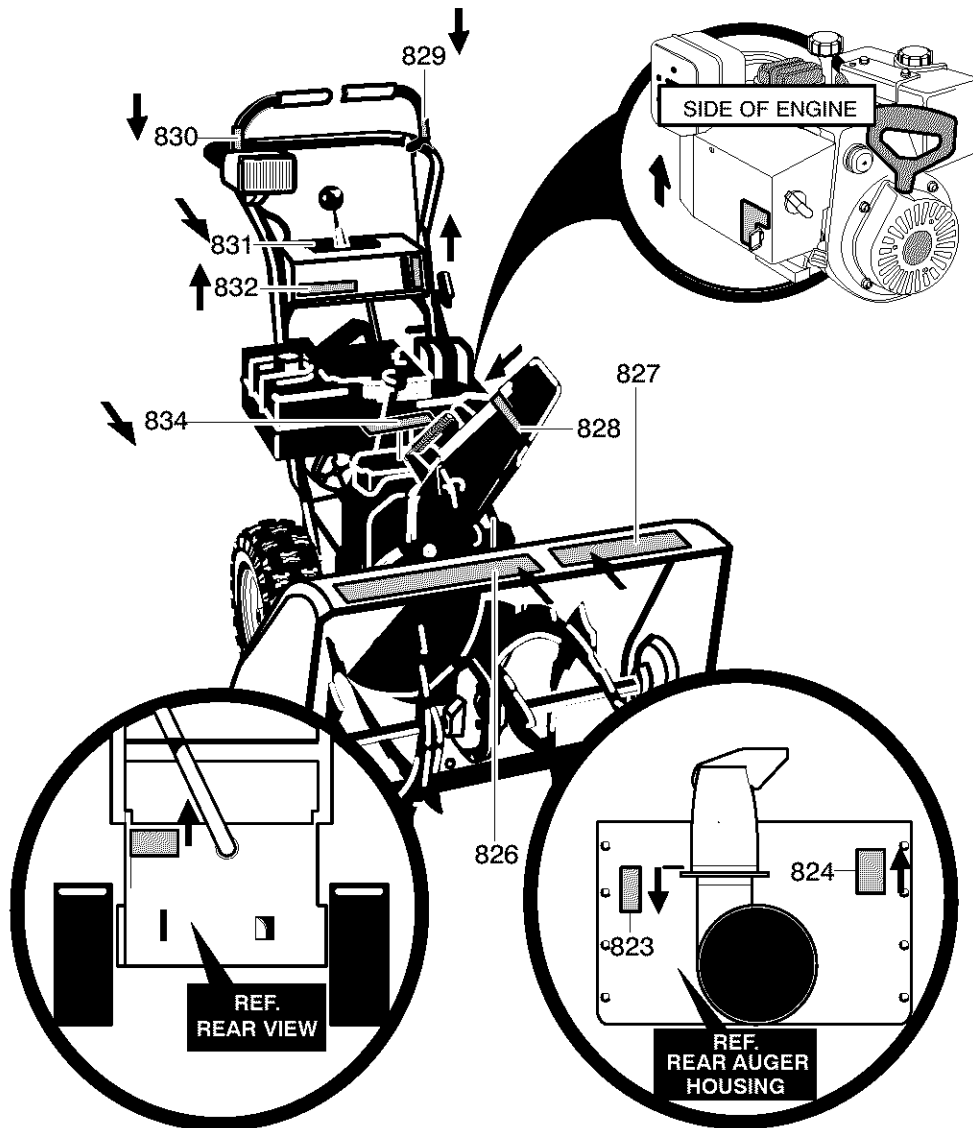


Key No. N° sur le schéma	Part No. N° de pièce	Description	Description
620	583490	HOUSING, HEADLIGHT UPPER	BOÎTER SUPÉRIEUR DU PHARE
621	762343	HEADLIGHT, ASSY *	MONTAGE DU PHARE *
622	1501514	HOUSING, HEADLIGHT LOWER	BOÎTER INFÉRIEUR DU PHARE
623	307781	SCREW, #8X1.75	VIS, #8 X 1,75 PO.
624	1501455	WIRING HARNESS, HALOGEN	FILS ÉLECTRIQUES DU PHARE, HALOGÈNE
625	4029 YZ	BRACKET, HEADLIGHT	SUPPORT MONTAGE DU PHARE
626	002X88	BOLT, CARRIAGE - 5/16-18X2.00	BOULON MÉCANIQUE 5/16-18X2,00 PO.
627	580527	WASHER, SADDLE	RONDELLE CINTRÉE
628	71061	WASHER, EXLK .32X.60X.040	RONDELLE ,32X,60X,040
629	71060	WASHER, SPTLK .31X.58X.08	RONDELLE FENDUE ,31X,58X,08
630	15X144	NUT, 5/16-18 REGHEX	ÉCROU, 5/16-18
631	235	SCREW, 5/16-18X2.00	VIS, 5/16-18X2,00 PO.
632	71060	WASHER, SPTLK	RONDELLE FENDUE
633	15X144	NUT, 5/16-18 REGHEX	ÉCROU, 5/16-18
634	032618	TIE, CABLE	CABLE DE BRIDE

* For replacement bulb, use Standard GE or Phillips #894. * Pour l'ampoule de rechange, employez la GE standard ou #894 Phillips.

CRAFTSMAN 27" SNOW BLOWER C950-52119-3
CRAFTSMAN 27" CHASSE-NEIGE C950-52119-3

REPAIR PARTS
PIÈCES DE RECHANGE
DECALS / AUTOCOLLANTS



Key No.
N° sur le
schéma

Part No.
N° de pièce

Description

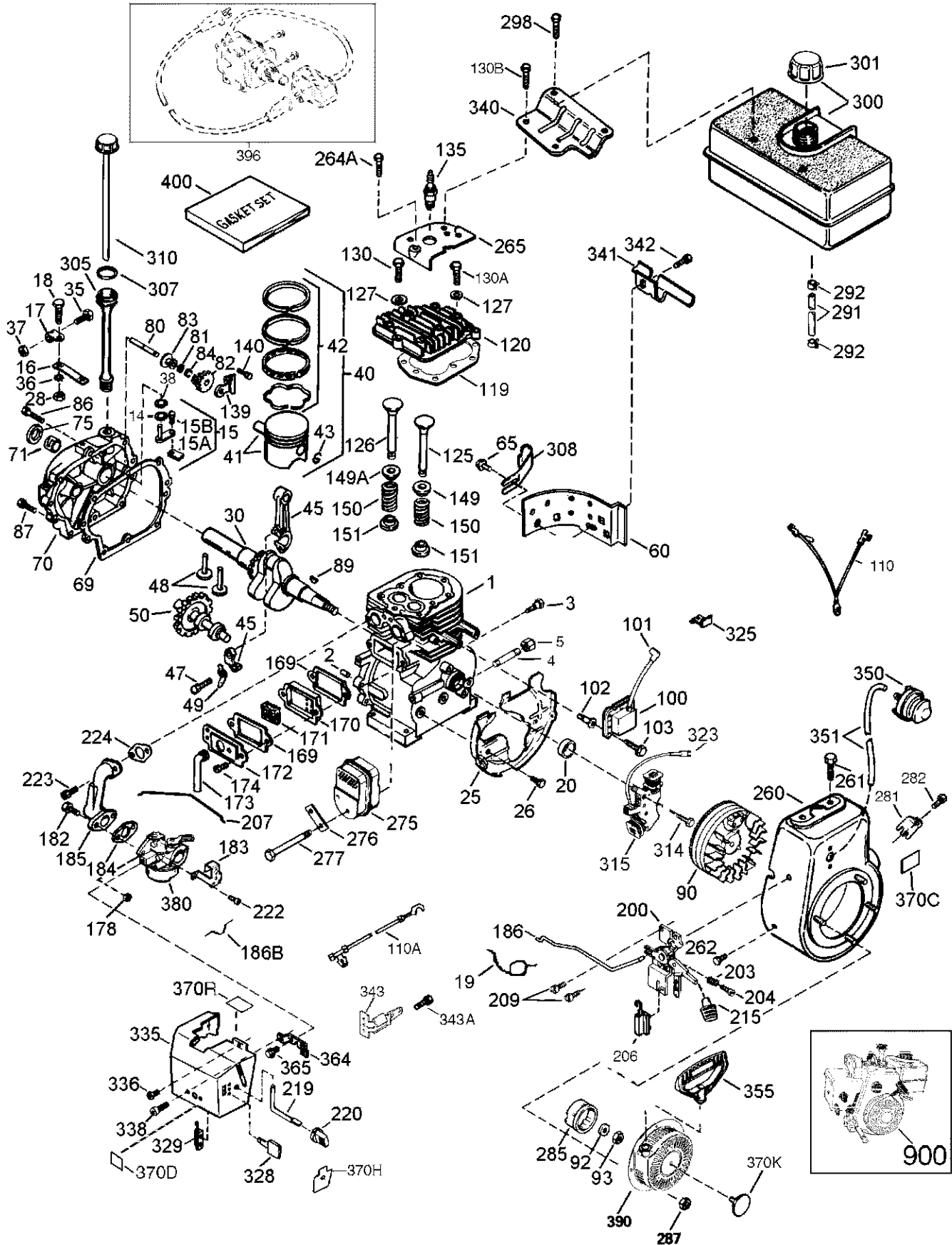
Description

823	48x2035	DECAL, DANGER CHUTE HAND
824	48x2037	DECAL, DANGER FOOT
826	760968	DECAL, CRAFTSMAN GOLD
827	762166	DECAL, 9/27
828	761079	DECAL, STRIPE
829	53689	DECAL, DRIVE CLUTCH
830	53690	DECAL, AUGER CLUTCH
831	327921	DECAL, GEAR SELECTOR
832	761044	DECAL, CRAFTSMAN
834	761048	DECAL, TOOLBOX INFORMATION

AUTOCOLLANT, DANGER MAINS, ÉJECTION
AUTOCOLLANT, DANGER PIEDS
AUTOCOLLANT, CRAFTSMAN GOLD
AUTOCOLLANT, 9/27
AUTOCOLLANT, BANDE RÉFLÉCHISSANTE
AUTOCOLLANT, EMBRAYAGE ROUES
AUTOCOLLANT, EMBRAYAGE FRAISE
AUTOCOLLANT, SÉLECTEUR VITESSE
AUTOCOLLANT, CRAFTSMAN
AUTOCOLLANT, INSTRUCTIONS BOÎTE À OUTILS

TECUMSEH 9 HP 4 CYCLE ENGINE 143.039005
MOTEUR 9 HP 4 TEMPS TECUMSEH 143.039005

REPAIR PARTS
PIÈCES DE RECHANGE



TECUMSEH 9 HP 4 CYCLE ENGINE 143.039005

MOTEUR 9 HP 4 TEMPS TECUMSEH 143.039005

REPAIR PARTS

PIÈCES DE RECHANGE

Key No. N° sur le schéma	Part No. N° de pièce	Description	Description
		RPM High 3550 to 3850	Régime maximal: 3550 à 3850 tr/min
		RPM Low 2000	Régime de ralenti: 1900 tr/min
1	35385	Cylinder Ass'y (Incl. 2, 20 & 72)	Cylindre (comprend ref. 2, 20 et 72)
2	27652	Dowel Pin	Cheville
3	650820	Screw, 1/4-20 x 1/2"	Vis, 1/4-20 x 1/2 po
4	31857	Oil Drain Extension	Rallonge d'orifice de vidaoge
5	30969	Extension Cap	Bouchon
15	30699C	Governor Rod (Inc. 1 5A & 1 5B)	Elge du régulateur (comprend ref. 1 5A et 1 5B)
15A	30700	Governor Yoke	Paquette du régulateur
15B	650494	Screw, 6-40 x 5/16"	Vis, 6-40 x 5/16 po
16	33454A	Governor Lever	Levier du régulateur
17	29916	Governor Lever Clamp	Bride du levier du régulateur
18	651028	Screw, Torx T-15, 8-32 x 3/8"	Vis, Torx T-15, 8-32 x 3/8po
19	34663	Speed Control Spring	Ressort de commande de vitesse
20	35319	Oil Seal	Joint à lèvres
25	37706	Blower Housing Baffle	Défecteur du boîtier de soufflante
26	650561	Screw, 1/4-20 x 5/8"	Vis, 1/4-20 x 5/8 po
28	30322	Lock Nut, 8-32	Écrou de blocage, 8-32
30	37231	Crankshaft	Vi lebrequ in
35	29826	Screw, 10-32 x 3/4"	Vis, 1 0-32 x 3/4 po
36	29918	Lock Washer	Rondelle-frein
37	29216	LockNut, 10-32	Écrou de blocage, 10-32
38	29642	Retaining Ring	Circlip
40	40011	Piston, Pin & Ring Set (Std.)	Piston, axe et segments (standard)
40	40012	Piston, Pin & Ring Set (.010" OS)	Piston, axe et segments (cote + 0,010)
41	40009	Piston, Pin Ass'y. (Std.) (Incl. 43)	Piston, axe et segments (standard) (comprend ref. 43)
41	40010	Piston, Pin Ass'y. (.010" OS) (Incl. 43)	Piston, axe et segments (cote + 0,010) (comprend ref. 43)
42	40013	Ring Set (Std.)	Segments (standard)
42	40014	Ring Set (.010" OS)	Segments (cote + 0,010)
43	27888	Piston Pin Retaining Ring	Circlip d'axe de piston
45	36897	Connecting Rod Assty (Incl. 47 & 49)	Bielle (comprend ref. 46, 47, 49)
47	651033	Connecting Rod Bolt	Vis de bielle
48	34034	Valve Lifter	Poussoir de soupape
49	36896	Oil Dipper	Défecteur d'huile
50	35375	Camshaft (MCR)	Arbre à cames (décompresseur mécanique)
60	33273A	Blower Housing Extension	Rehausse de boîtier de soufflante
65	650128	Screw, 10-24x 1/2"	Vis, 1 0-24 x 1/2 po
69	37342	Cylinder Cover Gasket	Joint du couvercle de cylindre
70	35376A	Cylinder Cover (Incl. 71, 75 & 80)	Couvercle de cylindre (comprend ref. 71, 75 et 80)71
71	35377	Crankshaft bushing	Palier
75	35319	Oil Seal	Joint à lèvres
80	37587	Governor Shaft	Axe du régulateur
81	651080	Washer	Rondelle
82	35378	Governor Gear Ass'y. (Incl. 81)	Pignon du régulateur (comprend ref. 81)
83	30588A	Governor Spool	Bobine du régulateur
84	29193	Retaining Ring	Circlip
86	650833	Screw, 1/4-20 x 1-3/16"	Vis, 1/4-20 x 1 -3/1 6 po
87	650832	Screw, 1/4-20x 1-11/16"	Vis, 1/4-20x 1-11/16po
89	32589	Flywheel Key	Clavette du volant
90	611093	Flywheel (W/Ring Gear)	Volant (avec couronne)
92	650880	Lock Washer	Rondelle-frein
93	650881	Flywheel Nut	Écrou du volant

TECUMSEH 9 HP 4 CYCLE ENGINE 143.039005

MOTEUR 9 HP 4 TEMPS TECUMSEH 143.039005

REPAIR PARTS

PIÈCES DE RECHANGE

100	35135A	Solid State Ignition	Module d'allumage
101	610118	Spark Plug Cover	Capuchon de bougie
102	651024	Solid State Mounting Stud	Goujon du module d'allumage
103	651007	Screw, Torx T-15, 10-24 x 15/16"	Vis, T-15 Torx, 10-24 x 15/16 po
110	35187	Ground Wire	Fil de masse
110A	37047	Ground Wire	Fil de masse
119	36448	Cylinder Head Gasket	Joint de culasse
120	36449	Cylinder Head	Culasse
125	27878A	Exhaust Valve (Std.) (Incl. 151)	Soupape d'échappement (standard) (comprend ref. 151)
125	27880A	Exhaust Valve (1/32" OS) (Incl. 151)	Soupape d'échappement (cote + 1/32 po) (comprend ref. 151)
126	34035	Intake Valve (Std.) (Incl. 151)	Soupape d'admission (standard) (comprend ref. 151)
127	650691	Washer	Rondelle
130	6021A	Screw, 5/16-18 x 1-1/2"	Vis, 5/16-18 x 1-1/2 po
130A	650727	Screw, 5/16-18 x 1-3/4"	Vis, 5/16-18 x 1-3/4 po
130B	651055	Screw, 5/16-18 x 5/8"	Vis, 5/16-18 x 5/8 po
135	35395	Resistor Spark Plug (RJ1 9LM)	Bougie
139	33369	Governor Gear Bracket	Support
140	650836	Screw, 10-24 x 1/2"	Vis, 10-24 x 1/2 po
149	27882	Valve Spring Cap	Cuvette de ressort de soupape
149A	35862	Valve Spring Cap	Cuvette de ressort de soupape
150	27881	Valve Spring	Ressort de soupape
151	32581	Valve Spring Keeper	Clavette de ressort de soupape
169	27896A	Valve Cover Gasket	Joint de cache-culbuteurs
170	28423	Breather Body	Reniflard
171	28424	Breather Element	Filtre du reniflard
172	28425	Valve Cover	Couvercle du reniflard
173	35350	Breather Tube	Tube du reniflard
174	650128	Screw, 10-24 x 1/2"	Vis, 10-24 x 1/2 po
178	29752	Nut & Lock Washer, 1/4-28	Écrou et rondelle-frein, 1/4-28
182	30088A	Screw, 1/4-28 x 1"	Vis, 1/4-28 x 1 po
183	34587A	Choke Bracket	Bride de volet de départ
184	33263	Carburetor To Intake Pipe Gasket	Joint du carburateur
185	33877	Intake Pipe	Collecteur d'admission
186	34667	Governor Link	Tige du régulateur
186B	36652	Choke Spring	Ressort du volet de départ
200	34677	Control Bracket (Incl. 19, 203, 204 & 206)	Support de commande (comprend ref. 19, 203, 204 et 206)
203	31342	Compression Spring	Ressort
204	651029	Screw, 5-40 x 7/16"	Vis, 5-40 x 7/16 po
206	610973	Terminal	Borne
207	33878	Throttle Link	Biellette du régulateur
209	650821	Screw, 10-32 x 1/2"	Vis, 10-32 x 1/2 po
215	35438	Control Knob	Bouton de manette d'accélération
219	34586	Choke Rod	Tige du volet de départ
220	35440	Choke Knob	Manette du volet de départ
222	28820	Screw, 10-32 x 1/2"	Vis, 10-32 x 1/2 po
223	650378	Screw, Torx T-30, 5/16-18 x 1-1/8"	Vis, Torx T-30, 5/16-18 x 1-1/8 po
224	27915A	Intake Pipe Gasket	Joint de collecteur d'admission
260	35447A	Blower Housing	Boîtier de soufflante
261	650788	Screw, 5/16-18 x 3/4"	Vis, 5/16-18 x 3/4 po
262	651084	Screw, 5/16-24 x 9/16"	Vis, 5/16-24 x 9/16 po
264A	650802	Screw, 1/4-20 x 5/8"	Vis, 1/4-20 x 5/8 po
265	33272D	Cylinder Head Cover	Couvercle de culasse
275	35056	Muffler	Silencieux
276	31588	Locking Plate	Paquette du silencieux
277	651002	Screw, 5/16-18x4-3/16"	Vis, 5/16-18x4-3/16 po

TECUMSEH 9 HP 4 CYCLE ENGINE 143.039005

MOTEUR 9 HP 4 TEMPS TECUMSEH 143.039005

REPAIR PARTS

PIÈCES DE RECHANGE

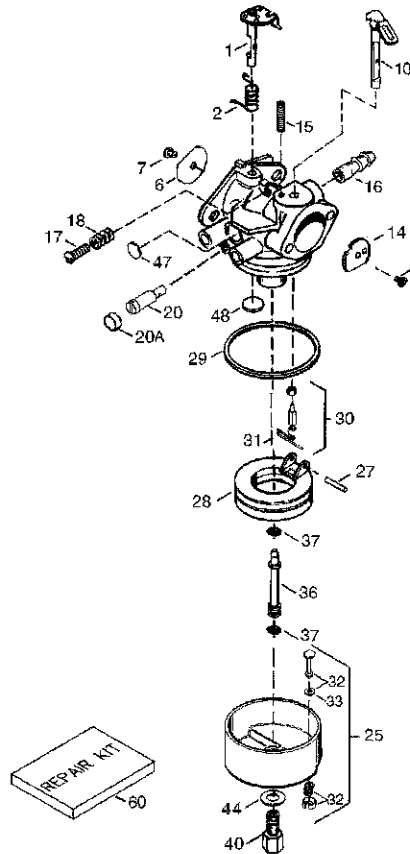
281	33013	Starter Bubble Cover	Couvercle du démarreur
282	650760	Screw, 8–32 x 3/8"	Vis, 8–32 x 3/8 po
285	35985B	Starter Cup	Moyeu du démarreur
287	29752	Nut & Lock Washer, 1/4–28	Ecrou et rondelle–frein, 1/4–28
291	30962	Fuel Line	Tuyau d'essence
292	26460	Fuel Line Clamp	Collier
298	650665	Screw, 1/4–15 x 3/4"	Vis, 1/4–15 x 3/4 po
300	34186A	Fuel Tank (Incl. 292 & 301)	Réservoir d'essence (comprend ref,292 et 301)
301	35355	Fuel Cap	Bouchon du réservoir
305	35554	Oil Fill Tube	Tube de remplissage d'huile
307	35499	O" Ring	Joint torique
308	35540	Fill Tube Clip	Bride du tube de remplissage
310	36205	Dipstick	Jauge d'huile
314	650873	Screw, 1/4–20 x 3/4"	Vis, 1 /4–20 x 3/4 po
315	611111	Alternator Coil (18 Watt) (Incl. 323)	Bobine d'alternateur (18 watts) (comprend ref.323)
323	611118	Terminal	Borne
325	29443	Wire Clip	Attache fil
328	35062	Ignition Key	Clé de contact
329	610973	Terminal	Borne
335	35057A	Carburetor Cover (Black)	Couvercle du carburateur (noir)
336	650765	Screw, 10–32 x 1/2"	Vis,10–32 x 1/2 po
338	28942	Screw, 10–32 x 3/8"	Vis,10–32 x 3/8 po
340	34154	Fuel Tank Bracket	Support du réservoir
341	34155	Fuel Tank Bracket	Support du réservoir
342	650561	Screw, 1/4–20 x 5/8"	Vis,1/4–20 x 5/8 po
343	35079A	Bracket, key switch	Support, clé
343A	651060	Screw, 10–23 x 23/64"	Vis, 10–23 x 23/64 po
350	570682A	Primer Ass'y	Amorceur
351	32180C	Primer Line	Tuyau de l'amorceur
355	590574	Starter Handle	Poignée du démarreur
364	33377	Carburetor Cover Bracket	Support du couvercle du carburateur
365	650767	Screw, 8–32 x 27/64"	Vis,8–32 x 27/64 po
370C	36501	Primer Decal	Autocollant de l'amorceur
370D	36534	Caution Decal	Autocollant, d'avertissement
370H	35077	Control Decal	Autocollant, Volet de départ
370K	36695	Starter Decal	Autocollant
370R	37119	Warning Decal	Autocollant d'avertissement
380	640052	Carburetor (Incl. 184)	Carburateur (comprend ref.184)
390	590749	Rewind Starter	Démarreur à corde
396	33329E	Electric Starter Motor (Optional)	Démarreur électrique (option)
400	36450C	Gasket Set (Incl. items marked *) Incl. part #'s 27272A, 27896A, 27915A, 29673, 33263, 33629, 34689A, 35262A, 36448	Nécessaire de joints (comprend références identifiées *) Comprend réf .27272A, 27896A, 27915A, 29673, 33263, 34689A, 35262A, 36448

* Indicates Parts Included in Gasket Set, Ref. No. 400

* Pièces incluses dans le nécessaire de joints, réf. 400.

TECUMSEH 9 HP 4 CYCLE ENGINE 143.039005
MOTEUR 9 HP 4 TEMPS TECUMSEH 143.039005

REPAIR PARTS
PIÈCES DE RECHANGE



Key No.
N° sur le
schéma

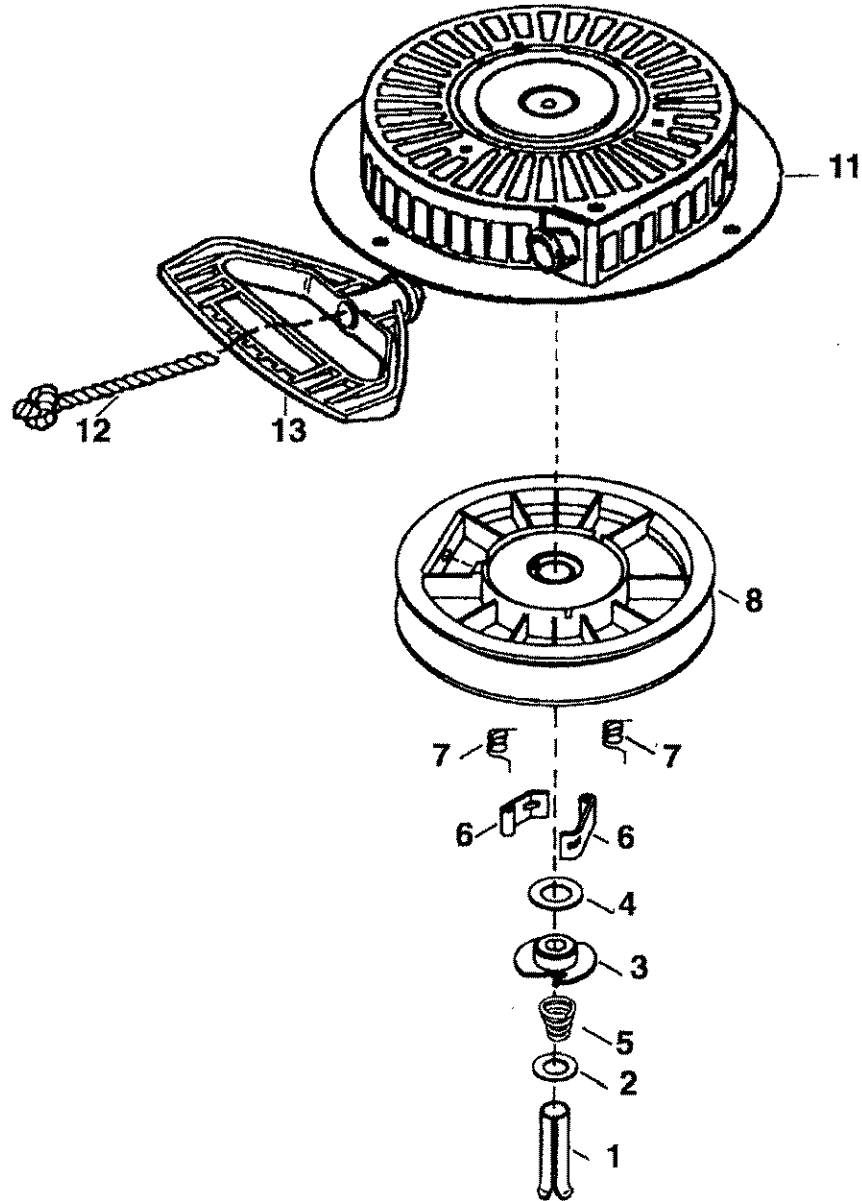
Part No.
N° de pièce

Description

Description

	640052	Carburetor (Incl.184 of Engine Parts List)
1	631776A	Throttle Shaft & Lever Assembly
2	631970	Throttle Return Spring
6	631778	Throttle Shutter
7	650506	Shutter Screw
10	632112	Choke Shaft & Lever Assembly
14	632174	Choke Shutter
15	630735	Choke Positioning Spring
16	632164	Fuel Fitting
17	650417	Throttle Crack Screw/Idle Speed Screw
18	630766	Tension Spring
20	640016	Idle Mixture Screw
20A	640053	Idle Restrictor Screw Cap
25	631951	Float Bowl Ass'y. (Incl. 32 & 33)
27	631024	Float Shaft
28	632019	Float
29	631028	Float Bowl O Ring
30	631021	Inlet Needle, Seat & Clip (Incl. 31)
31	631022	Spring Clip
32	27136A	Bowl Drain Assembly
33	27554	Drain Plunger Gasket
36	640005	Main Nozzle Tube
37	632547	"O" Ring
40	640055	High Speed Bowl Nut
44	27110	Bowl Nut Washer
47	630748	Welch Plug, Idle Mixture Well
48	631027	Welch Plug, Atmospheric Vent
60	632760	Repair Kit

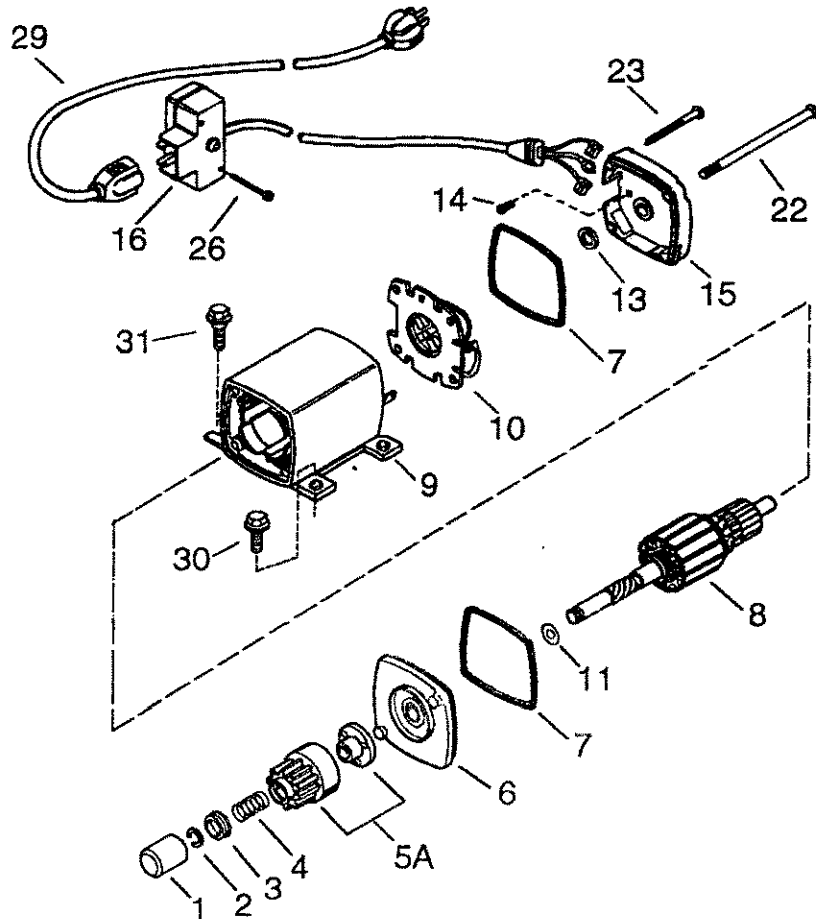
	Carburateur (comprend ref. 184 de la liste de pieces du moteur)
	Axe et levier du papillon
	Ressort de rappel du papillon
	Cache du papillon
	Vis de cache
	Axe et levier du volet de départ
	Cache du volet de départ
	Ressort de butée du volet de départ
	Raccord
	Vis de ralenti
	Ressort
	Vis de richesse
	Capachoun
	Joint torique cuve (comprend ref. 32 et 33)
	Axe du flotteur
	Flotteur
	Joint torique
	Pointeau, siège et arrêt (comprend ref. 31)
	Épingle
	Vis de vidange de cuve
	Joint
	Tube
	"O" Joint
	Écrou
	Rondelle d'écrou de cuve
	Pastille d'obturation
	Pastille d'obturation
	Kit de réparation



Key No. N° sur le schéma	Part No. N° de pièce	Description	Description
	590749	Rewind Starter	Démarreur à corde
1	590599A	Spring Pin (Incl. 4)	Goupille élastique (comprend ref. 4)
2	590600	Washer	Rondelle
3	590679	Retainer	Fixation
4	590601	Washer	Rondelle
5	590678	Brake Spring	Ressort de frein
6	590680	Starter Dog	Doigt de démarreur
7	590412	Dog Spring	Ressort de doigt
8	590682	Pulley & Rewind Spring Assembly	Potpie et ressort de rappel
11	590750A	Starter Housing Assembly	Boîtier du démarreur
12	590535	Starter Rope (Length 98" x 9/64" dia.)	Corde de démarreur (longueur 98 po, diamètre 9/64 po)
13	590574	Mitten Grip Handle (Not included with starter)	Poignée (non livrée avec le démarreur)

TECUMSEH 9 HP 4 CYCLE ENGINE 143.039005
MOTEUR 9 HP 4 TEMPS TECUMSEH 143.039005

REPAIR PARTS
PIÈCES DE RECHANGE



Key No.
N° sur le
schéma

Part No.
N° de pièce

Description

Description

	33329E	Electric Starter (110 Volt)
1	33451	Dust Cover
2	33842	Retainer Ring
3	33430	Spring Retainer
4	33431	Anti-drift Spring
5A	37050	Gear & Nut (Incl. 2)
6	35449	Drive End Cap Assy (Incl. 7)
7	35450	"O" Ring
8	35915	Armature
9	35451B	Housing Assy.
10	35452A	Brush Card Assy.
11	35911	Thrust Washer
13	590500	Thrust Washer
14	33441	Ground Screw
15	35453	Commutator End Cap Assy (Incl 7)
16	35454	Switch Box Assy (Incl 26)
22	35455	Case Bolt
23	35456	Ground Screw
26	650819	Screw, 6-32x2-1/2"
29	32450B	Extension Cord (10'6")
30	30063	Screw, Torx T-30 1/4-20x1/2"
31	650820	Screw, 1/4-20x1/2"

Eléctrique Demarreur (110 volt)
Poussière Couvercle
Circlip
Ressort Fixation
Ressort
Pignon & Écrou Montage (comprend 2)
D'embrayage garde capuchon montage(comprend 7)
Joint torique
Induit
Boîtier montage
Cage de porte-balais de balais
Rondelle de poussée
Rondelle de poussée
Vis de masse
Commutateur arrière capuchon montage(comprend 7)
Boîtier d'interrupteur (comprend 26)
Boulon de montage
Vis de masse
Vis, 6-32x2-1/2 po.
Rallonge électrique 3,20m (10,6 po)
Vis, Torx T-30 1/4-20x1/2 po.
Vis, 1/4-20x1/2 po.

Get it fixed, at your home or ours!

Just Call:

1-800-4-MY-HOME®

(1-800-469-4663)

24 hours a day, 7 days a week

For the repair of major brand appliances **in your own home ...**
no matter who made it, no matter who sold it!

For your nearest **Sears Parts & Service** location,
to bring in products like vacuums, lawn equipment and electronics.

For **Sears Parts & Service**, to order the replacement parts,
accessories and owner's manuals that you need to do-it-yourself.

www.sears.ca

To purchase or inquire about a Sears Maintenance Agreement, call:

1-800-361-6665

9 a.m. – 8 p.m. Mon. – Fri. EST, 9 a.m. – 4 p.m. Sat.

Pour service en français:

1-800-LE-FOYER^{MC}

(1-800-533-6937)

www.sears.ca



®/™ Trademarks of Sears, Roebuck and Co. used under license by Sears Canada

® Marque déposée/™ Marque de commerce de Sears, Roebuck and Co. utilisée en vertu d'une licence de Sears Canada