




Cooker Hood User Manual

Vida X/A/90
Vida BK/A/90

 Zhejiang Elica Putian Electric Co., Ltd.
Add: No.88 Putian Avenue, Shengzhou,
Zhejiang Province, P.R.China(312400)
Tel: +86 0575-83366001
Fax: +86 0575-83366000

Service Hotline
400-682-9123

USER GUIDE

Dear Elica customer:

- Thanks for choosing our product.
- Please read this specification carefully before using the product and keep it for future consultation.
- Any failure and losses caused by ignoring the items mentioned below and cautions mentioned in the user manual are not covered by our warranty and any liability.
- Please keep all documents and receipt in a safety place for future reference.
- Caution:

We reserves the right to the interpretation of the contents mentioned in this user manual. Any specification is subject to change without notice.

IMPORTANT:

- Please pull out the power plug if the hood are not used for a long time.
- New Hood Packaging
All packaging materials are environmentally friendly and recyclable. Please dispose them by environmentally-friendly attitude in order to keep a favorable environment.
- Old Hood Management
Please discard old hood if it cannot be used any longer. Before discarding, please dispose into an unusable status. Old hood includes some recyclable materials. Please help to dispose in a proper way or recycle it.

Analysis and Solution on Common Faults

Please stop using the hood if any exceptions occurred. No disassembly or repair by non-specialist!

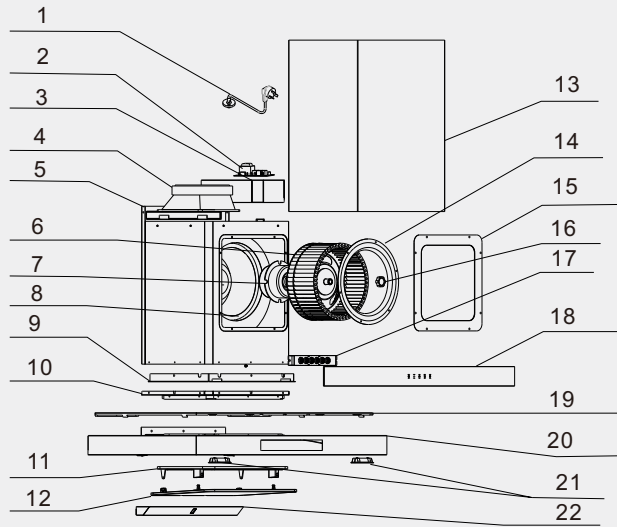
Fault	Reason	Solution
motor stop running and no light	<ol style="list-style-type: none"> 1. No electricity or plug loose 2. circuit failure or switch is broken 3. rosin welding joint on PCB or O/C 	<ol style="list-style-type: none"> 1. check there's electricity or tighten the plug 2. repair or replace 3. repair or replace
light work but motor stop running	<ol style="list-style-type: none"> 1. control switch failure 2. motor burn out 3. capacitor is broken 	<ol style="list-style-type: none"> 1. repair or replace 2. replace motor 3. replace capacitor
motor run but no light	<ol style="list-style-type: none"> 1. control switch failure 2. lamp is broken 	<ol style="list-style-type: none"> 1. repair or replace 2. replace lamp
hood body shake	<ol style="list-style-type: none"> 1. main body is not installed in a proper way 2. impeller is not installed in a proper way 3. volute fastening screw loose 4. impeller damaged 	<ol style="list-style-type: none"> 1. adjust the installation of main body 2. adjust the installation of impeller 3. fasten the screw 4. repair or replace
poor absorption	<ol style="list-style-type: none"> 1. installation height is too high 2. cross-ventilation in kitchen is too strong 3. air outlet blocked or no-return impeller blade locked 4. motor rotate speed is obviously slow 5. impeller or motor stuck for long-term no-operation 6. too much oil on filter 	<ol style="list-style-type: none"> 1. adjust installation height 2. improve operational environment 3. adjust 4. replace motor or capacitor 5. clean 6. clean

(*) Replace lamp: Professionals only.

USER GUIDE

Explosive View

Please stop using the hood if any exceptions occurred. No disassembly or repair by non-specialist!



1	power cable	9	joint bracket	17	switch
2	main board	10	joint plate	18	glass panel
3	terminal box cover	11	filter assembly	19	upper cover plate
4	air outlet base	12	smoke deflector	20	frame assembly
5	motor box	13	chimney	21	LED lamp
6	impeller	14	air guiding ring	22	oil cup
7	motor	15	motor box cover		
8	volute	16	impeller cap		

CONTENT

Content	-----	1
Safety Caution	-----	2
Packing List	-----	2
Electrical Connectivity Diagram	-----	2
Installation	-----	3
Usage	-----	4
Maintenance and Instructions	-----	5
Technical Specifications	-----	7
Explosive View	-----	8
Analysis and Solution on Common Faults	-----	9

Components are only for reference, please in kind prevail.

USER GUIDE

Safety Caution

1. The minimum distance from hood to cooking pot bearing surface should be 650-750mm. If the hood is installed above the gas hob, the minimum distance from hood to cooking pot bearing surface should be at least 650mm. Please take into consideration if big installation distance is shown in gas hob user manual.
2. Put exhaust pipe out or connect it with public cold air flue and seal the joint. Do not discharge the burnt gas or other smoke made by other fuels into hot flue.
3. Exhaust pipe should be as short as possible (less than 1.5m), turning radius should be as big as possible, which should be suitable for the public flue.
4. The hood must be installed horizontally and not inclined.
5. Must use reliable ground connected power socket.

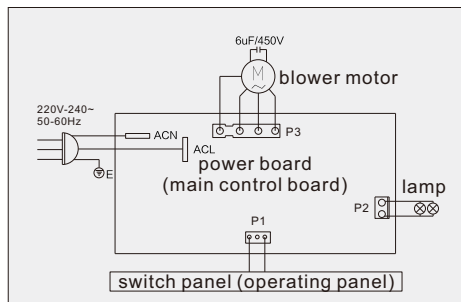
Packing List

Please check all components listed below before installation. Any missing or damage:

- Please contact with retailer if it is responsible by our company or retailer;
- Please contact with the nearest service center if it is responsible by users.

1	main body	1	8	expansion pipe ϕ 10	4
2	air pipe	1	9	user manual	1
3	body hook	1	10	oil cup	1
4	anti-off board	1	11	bar code	5
5	wood screw ϕ 4 \times 48	4	12		
6	wood screw ϕ 12 \times ϕ 4	1	13		
7	tapping screw ST3.2*8	2	14		

Electrical Connectivity Diagram




Technical Specification

Model	Vida X/A/90 Vida BK/A/90
Power Supply	220-240V~, 50-60Hz
Max Airflow	1020m ³ /h
Boost Airflow	1140m ³ /h
Motor Power Input	290W
Total Power Input	293W (including Lamp power1.5Wx2)
Dimension(WxDxH)	896x515x660(mm)
Noise	70dB

Note:56dB is sound pressure value;
70dB is A-weighted sound power level.

Lamp Technical Data as follows:

Lamp model	ON-E04-22C
Lamp voltage	12VDC
Lamp type	LED 
Lamp max wattage	1.5W
Lamp dimension(WxDxH)	91x20x17(mm)

USER GUIDE

14. The minimum distance between the supporting surface for the cooking vessels on the hob and the lowest part of the range hood.

15. Regulations concerning the discharge of air have to be fulfilled.

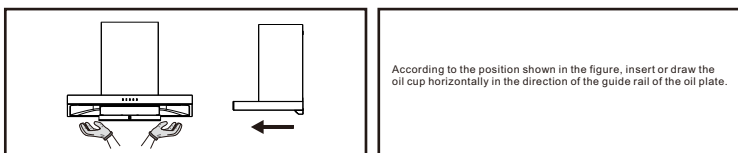
Warning: Failure to install the screws or fixing device in accordance with these instructions may result in electrical hazards.

I. Hood Surface Cleaning:

Clean hood surface with soft cloth after each usage.

II. Oil Cup and filter Cleaning:

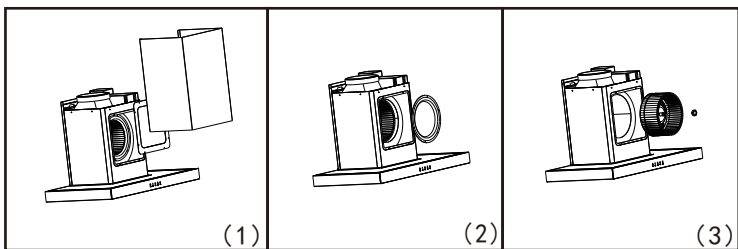
It is suggested to check and clean the oil cup in a fixed period. Please use soft gauze, neutral or weak alkaline detergent, warm water to wipe the outer surface of the oil filter, it is recommended to wipe 1~2 times a week.



III. Impeller Cleaning (Professionals only):

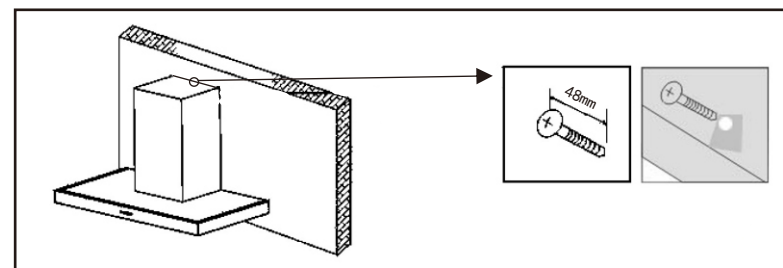
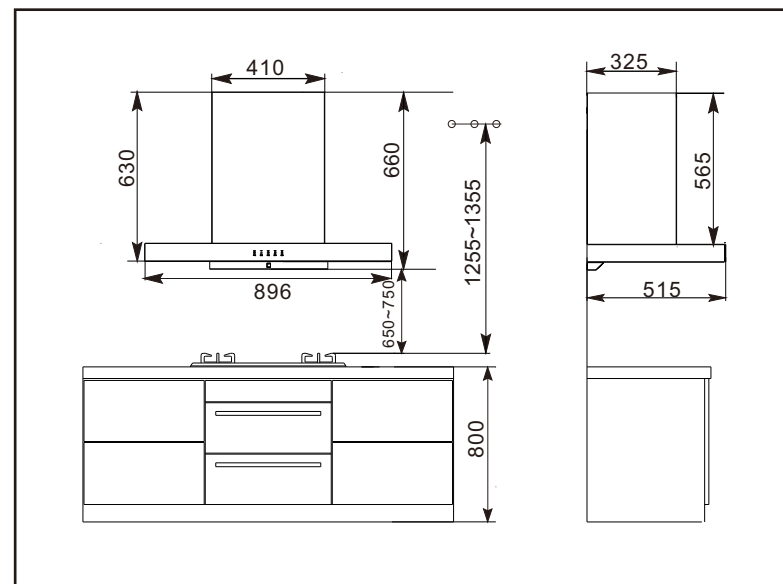
It is suggested to clean the impeller one time every twelve months.

Firstly, remove the chimney and motor cover plate as shown in pic (1). Then, loose the fastening screws fixed in air guiding ring and volute as shown in pic (2). Remove the ring and rotate the impeller cap in clockwise direction as shown in pic (3) to remove the impeller.



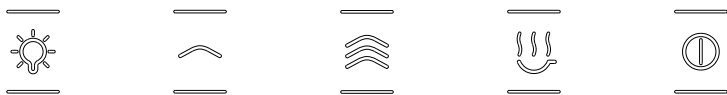
Installation

1. Use drilling tool with $\varnothing 10\text{mm}$ drill;
2. On the solid wall, 1255 ~ 1355mm above the kitchen surface, place the body hook plate horizontally, to make hole 3 as the positioning template, determine the position of drilling hole, drill hole and firmly fix the hook plate;
3. Proper install the main body and anti-off screw (wooden), and insert air outlet pipe, fix with $\text{ST}3.2 \times 8$ screw.
4. When install the upper chimney, should fix the hook in the wall at a proper height, then pull out the upper chimney to the hook, fix with the chimney hook plate by $\text{ST}4 \times 10$ self-tapping screw.



USER GUIDE

Usage



F1 - ON/OFF Timer (Automatic Shut-off/Off)

The Timer function is activated with the engine running (at any speed); after 5 minutes, the engine shuts down automatically. During the timing phase, the display (D) shows the remaining working time, in minutes (flashing).

To stop the timer function, before these 5 minutes, press again the F1 key.

Note: By turning off the engine manually (via F3), the timer function is deactivated.

F2 - ON/OFF Lights

Allows turning ON and OFF lights.

F3 - Engine Speed Decrease/ OFF

Decreases the speed of the engine, until it shuts OFF.

F4 - ON/Engine Speed Increase

Enables the startup of the engine and the speed increase, from 1 to 3.

D - Display

Allows the viewing of:

- the motor speed status
- the remaining time to Automatic Shut-off, when the Timer function is activated.

Maintenance and Instructions

In order to have the best user experience and increase product life, it is suggested to maintain the product in a fixed period.

● Warning:

1. Please pull out power plug before maintenance.
2. No water into motor and electrical components!
3. Clean the old oil in oil cup in time. Pull out the oil cup by holding the two ends of it.
4. Replace the broken LED with similar bulb, which is not more than 1.5W.
5. Please take care of the sharp edge of metal components; Please use neutral detergent and soft cloth or brush to clean. Avoid using organic solvent.
6. This appliance is not intended for use by persons (including children) with reduced physical, sensory or mental capabilities, or lack of experience and knowledge, unless they have been given supervision or instruction concerning use of the appliance by a person responsible for their safety.
7. Children should be supervised to ensure that they do not play with the appliance.
8. If the supply cord is damaged, it must be replaced by the manufacturer, its service agent or similarly qualified persons in order to avoid a hazard.
9. There shall be adequate ventilation of the room when the range hood is used at the same time as appliances burning gas or other fuels (not applicable to appliances that only discharge the air back into the room).
10. There is a fire risk if cleaning is not carried out in accordance with the instructions.
11. Do not flambé under the range hood.
12. CAUTION: Accessible parts may become hot when used with cooking appliances.
13. the air must not be discharged into a flue that is used for exhausting fumes from appliances burning gas or other fuels (not applicable to appliances that only discharge the air back into the room).