

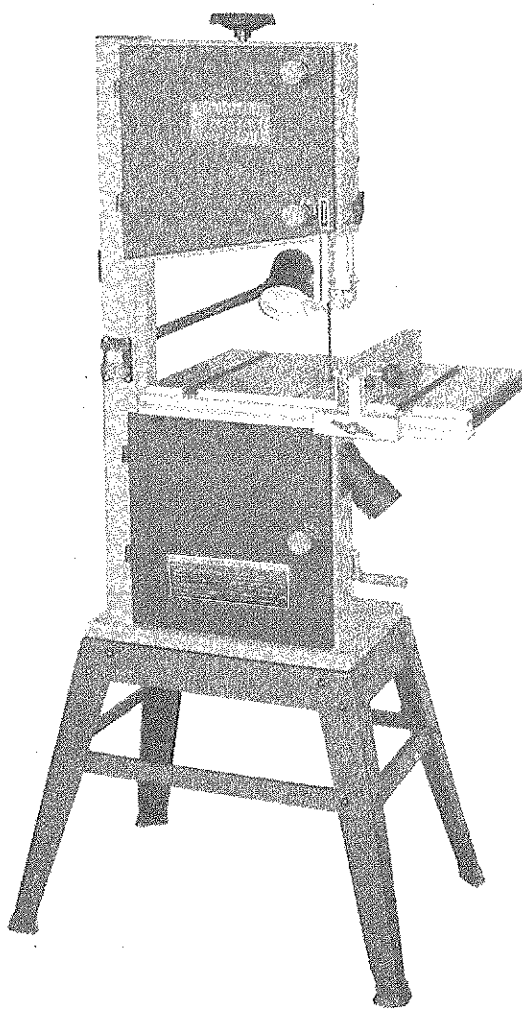
Owner's Manual



## 12-in. BANDSAW

3/4 HP MOTOR

Model 119.224000



**CAUTION:** Before using this product, read this manual and follow all its Safety Rules and Operating Instructions.

- Table of Contents
- Full One Year Warranty
- Safety Instructions
- Assembly
- Getting to Know Your Bandsaw
- Adjustment
- Operation
- Maintenance
- Electrical Schematic
- Troubleshooting
- Parts List

Sears, Roebuck and Co., Hoffman Estates, IL 60179, U.S.A.  
[www.craftsman.com](http://www.craftsman.com)

OM-22400-M1

## TABLE OF CONTENTS

Table of contents.....	2
Full one year warranty.....	2
Safety instructions.....	2
Assembly.....	4
Getting to know your bandsaw.....	7
Adjustment.....	7
Operation.....	11
Maintenance.....	11
Electrical schematic.....	11
Troubleshooting.....	12
Parts list.....	13

## FULL ONE YEAR WARRANTY

If this Craftsman tool fails due to a defect in material or workmanship within one year from the date of purchase, CALL 1-800-4-MY-HOME® TO ARRANGE FOR FREE REPAIR.

If this tool is used for commercial or rental purposes, this warranty will apply for only ninety days from the date of purchase.

This warranty applies only while this tool is in the United States.

This warranty gives you specific legal rights, and you may also have other rights, which vary, from state to state.

Sears, Roebuck and Co., Dept. 817WA, Hoffman Estates, IL 60179

## SAFETY INSTRUCTIONS

### GENERAL SAFETY WARNINGS

**KNOW YOUR POWER TOOL.** Read the owner's manual carefully. Learn the tool's applications, work capabilities, and its specific potential hazards.

#### **⚠ DANGER**

##### **Always Ground All Tools.**

If your tool is equipped with a three-pronged plug, you must plug it into a three-hole electric receptacle. If you use an adapter to accommodate a two-pronged receptacle, you must attach the adapter plug to a known ground. Never remove the third prong of the plug.



##### **Always Avoid Dangerous Environments.**

Never use power tools in damp or wet locations. Keep your work area well lighted and clear of clutter.

#### **⚠ DANGER**

##### **Always Remove the Adjusting Keys and Wrenches from Tools after Use.**

Form the habit of checking to see that keys and adjusting wrenches are removed from the tool before turning it on.



##### **Always Keep Your Work Area Clean.** Cluttered areas and benches invite accidents.

#### **⚠ DANGER**

##### **Always Keep Visitors Away from Running Machines.**

All visitors should be kept a safe distance from the work area.















##### **Always make the Workshop Childproof.**

Childproof with padlocks, master switches, or by removing starter keys.

#### **⚠ DANGER**

**Never operate a tool while under the influence of drugs, medication, or alcohol.**



 	<p><b>Always Wear Proper Apparel.</b> Never wear loose clothing or jewelry that might get caught in moving parts. Rubber-soled footwear is recommended for the best footing.</p>
 	<p><b>Always Use Safety Glasses and Wear Hearing Protection.</b> Also use a face or dust mask if the cutting operation is dusty.</p>
 	<p><b>Never Overreach.</b> Keep your proper footing and balance at all times.</p>
 	<p><b>Never Stand on Tools.</b> Serious injury could occur if the tool is tipped or if the cutting tool is accidentally contacted.</p>
 	<p><b>Always Disconnect Tools.</b> Disconnect tools before servicing and when changing accessories such as blades, bits, and cutters.</p> <p><b>Always Avoid Accidental Starting.</b> Make sure switch is in "OFF" position before plugging in cord.</p> <p><b>Never Leave Tools Running Unattended.</b></p>
 	<p><b>Always Check for Damaged Parts.</b> Before initial or continual use of the tool, a guard or other part that is damaged should be checked to assure that it will operate properly and perform its intended function. Check for alignment of moving parts, binding of moving parts, breakage of parts, mounting, and any other conditions that may affect its operation. A guard or other damaged parts should immediately be properly repaired or replaced.</p>

## SPECIAL SAFETY RULES FOR BANDSAWS

1. Always stop the Bandsaw before removing scrap pieces from table.
2. Always keep hands and fingers away from the blade.
3. Never attempt to saw stock that does not have a flat surface, unless a suitable support is used.
4. Always hold material firmly and feed it into the blade at a moderate speed.
5. Always turn off the machine if the material is to be backed out of an uncompleted cut.
6. Check for proper blade size and type for thickness and type of material being cut.
7. Make sure that the blade tension and blade tracking are properly adjusted.
8. Make "relief" cuts before cutting long curves.
9. Release blade tension when the saw will not be used for a long period of time.
10. Note and follow the safety warnings and instructions that appear on the lower door.




**⚠ WARNING**

**FOR YOUR OWN SAFETY:**

<ol style="list-style-type: none"> <li>1. READ AND UNDERSTAND INSTRUCTION MANUAL BEFORE OPERATING BANDSAW.</li> <li>2. Always wear eye protection.</li> <li>3. Do not wear gloves, neckties, jewelry or loose clothing.</li> <li>4. Check blade rotation and make certain that blade teeth point downward toward the table.</li> <li>5. Maintain proper adjustment of blade tracking and tension, blade guides and back-up bearings.</li> <li>6. Keep hands out of path of saw blade.</li> </ol>	<ol style="list-style-type: none"> <li>7. Secure dust guard covers before operating.</li> <li>8. Adjust upper blade guard/guide to just clear workpiece.</li> <li>9. Hold workpiece firmly against table and use miter gage and fence when possible.</li> <li>10. Do not remove jammed or cut-off pieces until blade has stopped.</li> <li>11. Disconnect machine from power source before making repairs or adjustments.</li> <li>12. Do not expose to rain or use in damp locations.</li> </ol>
--	---

# ASSEMBLY

## 1. TOOLS REQUIRED FOR ASSEMBLY

Item	Description	Q'ty.
	Phillips Screwdriver.....	1
	Adjustable Wrench.....	1
	Square.....	1

## 2. UNPACKING AND CHECKING CONTENTS

Model 119.224000 12" Bandsaw is shipped complete in one box.

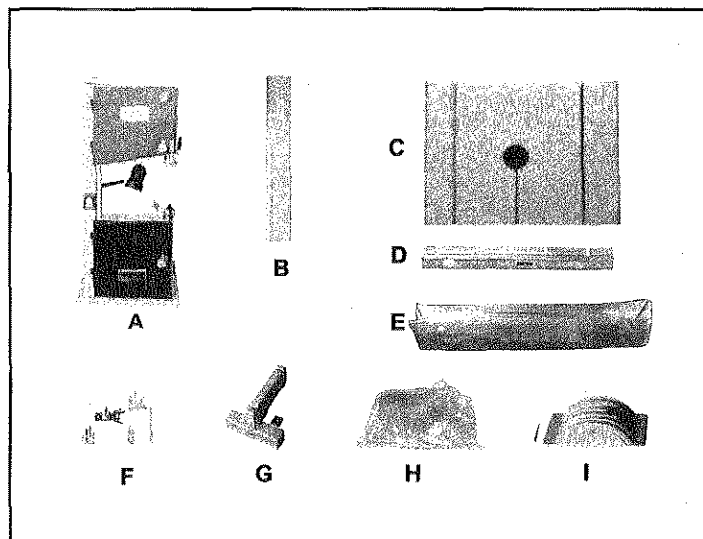
a. Separate all parts from carton and check each item with "Table of Carton Contents" to make sure all items are accounted for, before discarding any packing material.

b. Remove the protective oil that is applied to the table. Use any ordinary house hold type grease and spot remover.




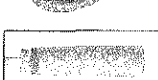
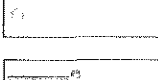
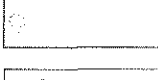




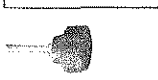




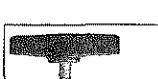
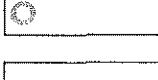


c. Apply a coat of paste wax to the table to prevent rust. Wipe all parts thoroughly with a clean dry cloth.

### CARTON CONTENTS

Item	Description	Q'ty.
A	Main Machine.....	1
B	Rip Fence.....	1
C	Table.....	1
D	Guide Rail.....	1
E	Open Stand Assembly.....	1
F	Owner's Manual.....	1
G	Rip Fence Carrier.....	1
H	Bag of Loose Parts.....	1
I	Upper Table Trunnion Assembly.....	1



## LIST OF LOOSE PARTS IN BAG

Item	Description	Q'ty.
	2-1/2" Dust port.....	1
	Hex. Socket head cap screw M6x12.....	2
	Washer 6.....	2
	Blade tension knob.....	1
	Crank handle.....	1
	Hex. Nut M6.....	1
	Hex. Bolt M8x45.....	1
	Hex. Nut M8.....	1
	Wing nut M6.....	1
	Tube.....	1
	Washer 6.....	1
	Hex. Socket head cap screw M6x45.....	1
	Tool holder.....	1
	Pan head screw M5x10.....	2
	M3 Hex "L" wrench.....	1
	M4 Hex "L" wrench.....	1
	M5 Hex "L" wrench.....	1
	Fence adjusting knob.....	1
	Carriage bolt M8x50.....	1
	Bolt guide.....	1
	Washer 8.....	1
	Wing nut M8.....	1
	Carriage bolt M6x40.....	2
	Washer 6.....	2
	Washer 6.....	2
	Knurled nut M6.....	2
	Wing screw M8.....	4
	Washer 8.....	4
	Hex. Bolt M8x16.....	4
	Lock washer 8.....	4

### 3. INITIAL ASSEMBLY

The machine is supplied partly assembled. Prior to use, the following items have to be installed: Open stand, 2-1/2" dust port, Table, Rip Fence, Blade Tension Knob, Tool holder, and Crank handle.

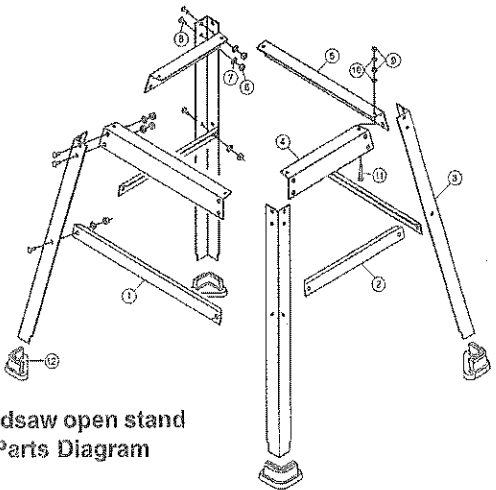
**WARNING:** To avoid injury, do not attempt to run or use this machine until all parts are assembled and working properly.

a. Assembly the open stand

- Check contents against the parts list.
- Fasten front panel on to paired legs, using hex carriage bolts, washers and hex nuts. Do not fully tighten.
- Fasten side panel on to front panel / paired legs assemblies using remaining hex carriage bolts, washers and hex nuts.
- Fasten the front and side beams on the paired legs with hex carriage bolts, washers and hex nuts.
- Set stand in an upright position, whilst ensuring that the holes on the top edge of the panels line up sufficiently to allow hex head screws to pass through. Tighten fully the hex carriage bolts and hex nuts.
- Press rubber feet on to the end of stand legs.
- With assistance lift bandsaw and carefully position in place on top of stand.
- Fix in position using hex head screw, through washer, bandsaw base, stand, washer and secure on underside with hex nut. Repeat procedure for all four corners before tightening fully.

**WARNING:** To Avoid back injury, get help lifting the bandsaw. Bend your knees, lift with your legs, not your back.

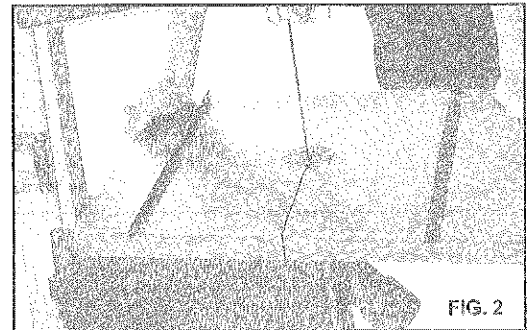
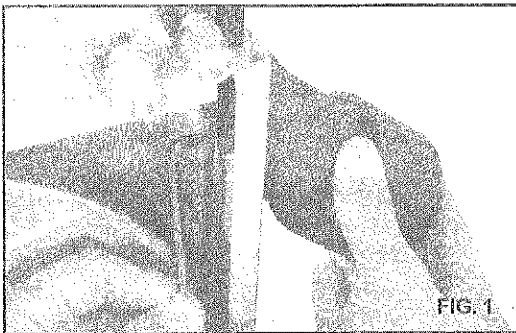
Parts List		
Item No.	Description	Q'ty
1	Front beam	2
2	Side beam	2
3	Legs	4
4	Side panel	2
5	Front panel	2
6	Hex nut	24
7	Washer	24
8	Hex carriage bolt	24
9	Hex nut	4
10	Washer	8
11	Hex head screw	4
12	Rubber foot	4



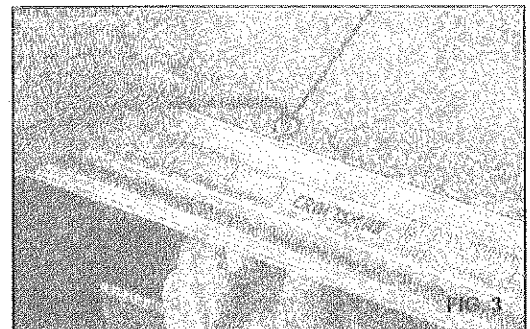
**Bandsaw open stand  
Parts Diagram**

b. Assemble the 2-1/2" dust port to the bandsaw frame with Hex. socket head cap screw and washer. Place the 2-1/2" dust port on to the side of the bandsaw frame.

Locate two Hex. socket head cap screws and two washers from the bag of loose parts. Mount the dust port to the bandsaw frame and install a Hex. socket head cap screw with washer in each hole, then tighten with M5 Hex "L" wrench. (See FIG. 1)



d. Fasten the guide rail with four each wing screw and washer to the table. Use the hex socket head cap screw, washer and wing nut for correcting the working table flatness. (See FIG. 3)



c. Assemble the upper table trunnion to the lower table trunnion with Carriage Bolt, Glide Piece, Washer and Wing Nut. Place the table on to the upper table trunnion, taking care when passing the saw blade through the slot of the table (See FIG. 2).

Locate four hex bolts and four lock washers from the bag of loose parts. Mount the table to the upper table trunnion and install a bolt with washer in each hole, then tighten with adjustable wrench.

e. To assemble the rip fence, take the fence carrier(A) and attach it to the guide rail(B) using the M8x50 carriage bolt(C) and the wing nut(D).

Fit the fence(E) to the fence carrier with the two knurled nuts(F) and M6x40 carriage bolts(G) and use the fence adjusting knob(H) for adjustment and to lock in position.(See FIG.4)

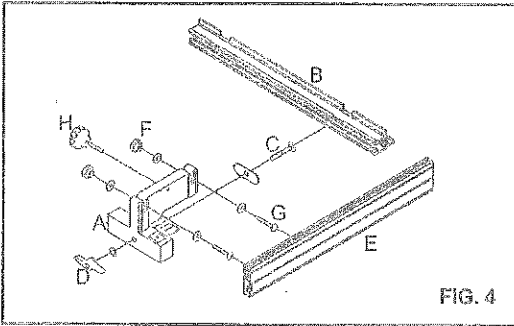


FIG. 4

The rip fence on this bandsaw can be used on either side of the blade by fixing the fence to the appropriate side of the fence carrier. (See FIG.5)

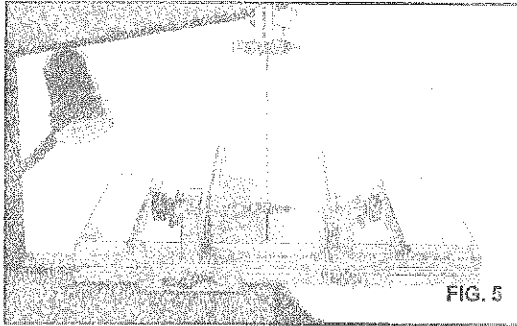


FIG. 5

f. Place the blade tension knob on to the blade tensioner (See FIG.6)

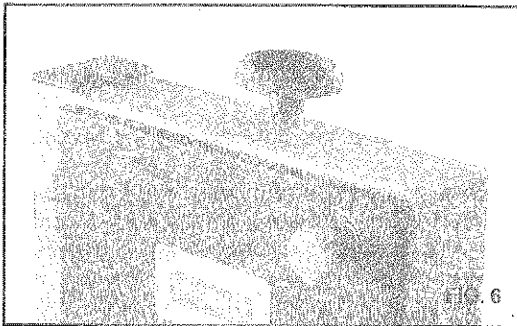


FIG. 6

g. To ensure sufficient upright stability of the machine it should be bolted to open stand (See the previous instruction how to place the machine on to the open stand ). For this purpose 6mm mounting holes are provided in the machine's base. (See FIG.7)

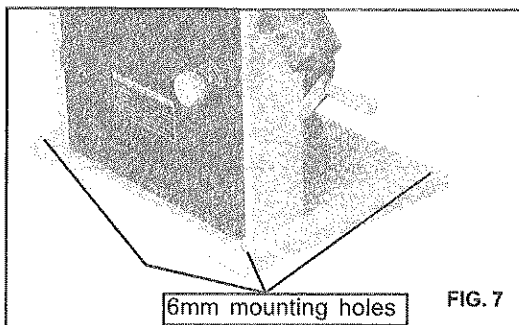


FIG. 7

h. The bandsaw has a 2-1/2" dust port and 4" dust port included. (See Fig. 8)

It is recommended that when in use, the bandsaw is connected to a suitable dust collector.

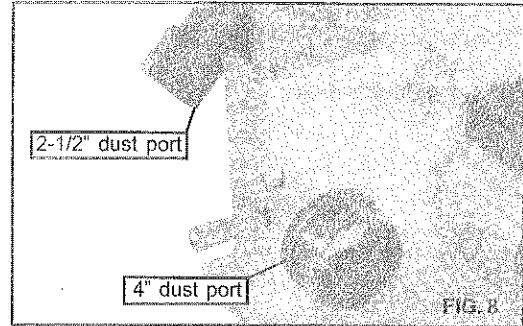
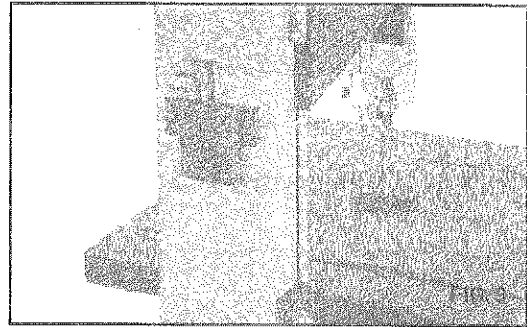


FIG. 8

i. Assemble the tool holder to the column of the bandsaw with two pan head screws. Locate two pan head screws from the bag of loose parts. Mount the tool holder to the column and install a pan head screw in each hole, then tighten with Phillips screwdriver. (See FIG.9)

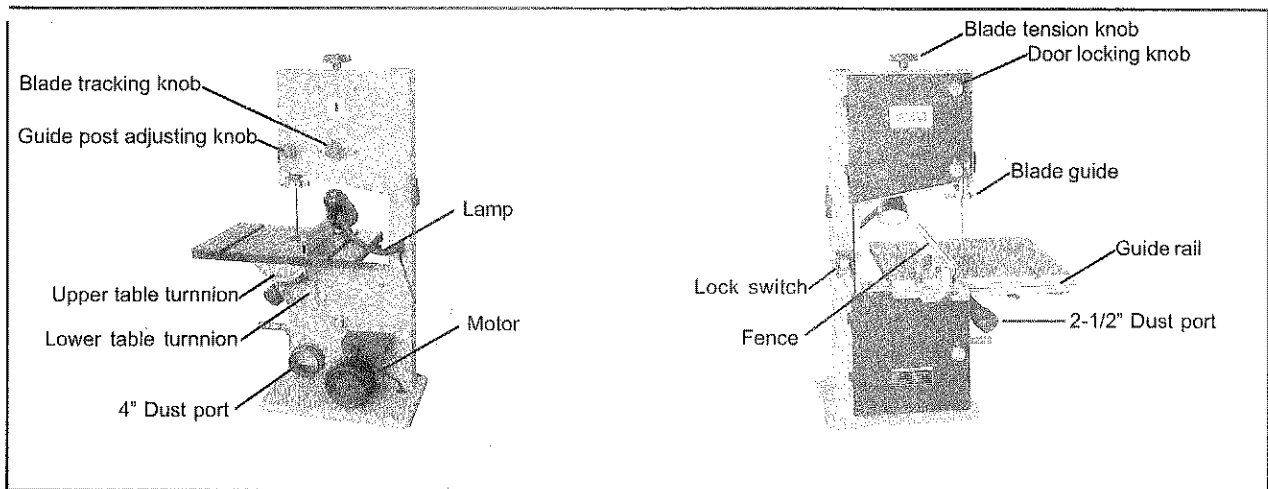


j. Attach the crank handle to the belt tension crank arm with the M6 Hex. nut. (See FIG.10)



FIG. 10

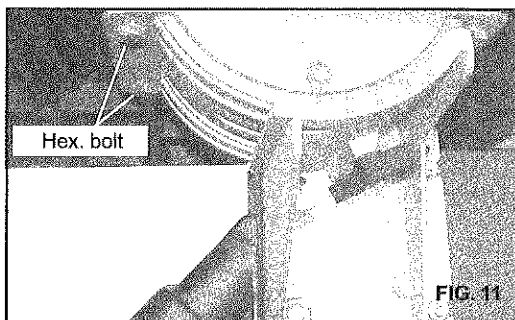
## GETTING TO KNOW YOUR BANDSAW



## ADJUSTMENT

### 1. CENTERING THE TABLE

a. Loosen the four hex. bolts mounting the table to the upper table trunnion. (See FIG. 11)

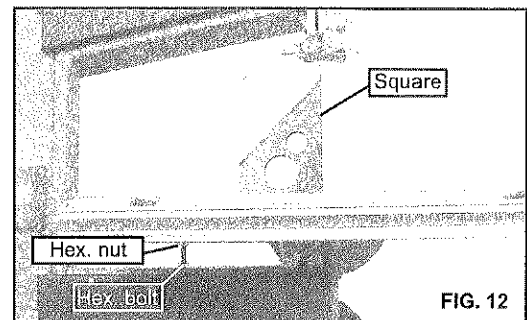


- b. Move the table sideways as required, until the saw blade runs through the center of the table insert.  
 c. If the adjustment of "b" is not enough to center the table, loosen the four flange nuts holding the lower table trunnion and move the table sideways to place the table in the center.  
 d. Re-tighten hex. bolts for trunnion, recheck the saw blade position.

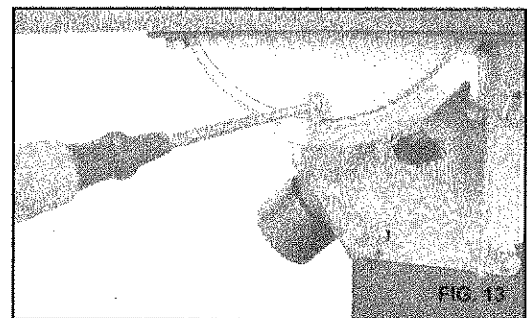
### 2. SETTING TABLE SQUARE TO SAW BLADE ON RIGHT AND LEFT POSITION

Loosen the wing nut on the lower table trunnion and place a suitably sized square against the saw blade on right and left position. If the table requires adjustment, proceed as follows:

- a. Using a wrench, release the hex. nut on the frame. (See FIG.12)  
 b. Place the wrench on the hex. bolt and adjust until the table square to the saw blade.(See FIG.12)



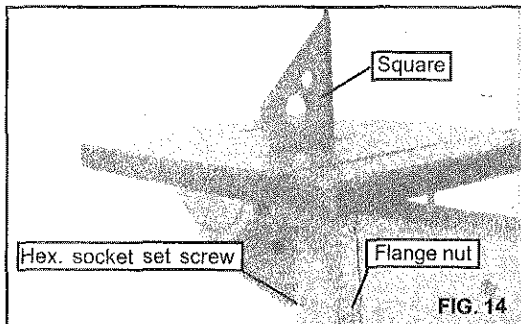
- c. Tighten the hex. nut and recheck the saw blade and the table for squareness.  
 d. Lock the table into position and check that the indicator reads zero degree on the side of lower table trunnion. Loosen the screw securing the indicator and reset if necessary to give zero degree reading. (See FIG. 13)



### 3. SETTING TABLE SQUARE FRONT AND BACK OF BLADE

Place a suitably sized square against the saw blade on back and force position. If the table requires adjustment, proceed as follows:

- Using a wrench, release the flange nut on the lower table trunnion. (See FIG.14)
- Place the M5 Hex "L" wrench on the hex. socket set screw and adjust until the table is square to the saw blade on the front and back position.(See FIG.14)

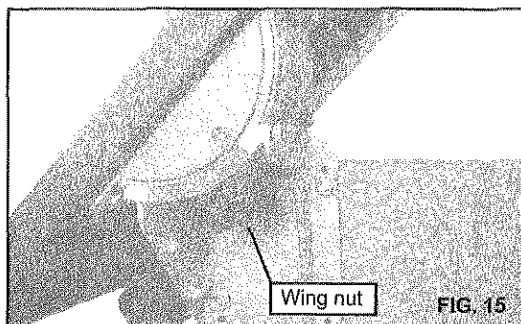


- Tighten the flange nut and recheck the saw blade and the table for squareness.

### 4. TILTING THE TABLE

For bevel cuts, the table tilts 0 through 45 degrees.

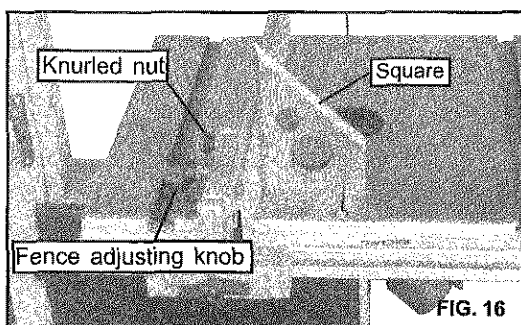
- To tilt the table, loosen the wing nut on the table trunnion, set the table to the required angle and tighten the wing nut again (See FIG. 15).



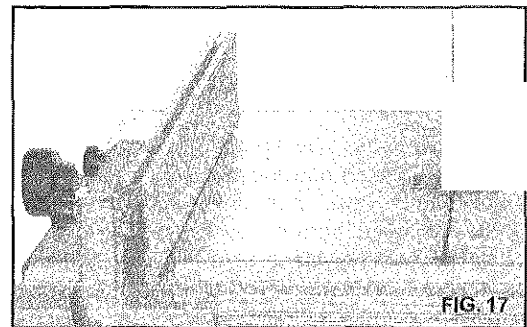
- It is recommended to verify the correct angle setting using an angle guide, or by making trial cuts in scrap wood. Adjust the indicator accordingly by using a phillips head screwdriver.

### 5. FENCE ADJUSTMENT

- Vertical alignment of the rip fence is made by adjusting the two knurled nuts and the fence adjusting knob. The fence should be adjusted vertically with a suitable square placed on the table surface.



- Horizontal alignment of the rip fence is made by adjusting the two knurled nuts and the fence adjusting knob. The fence should be aligned with the table slots along its length.(See FIG. 17)

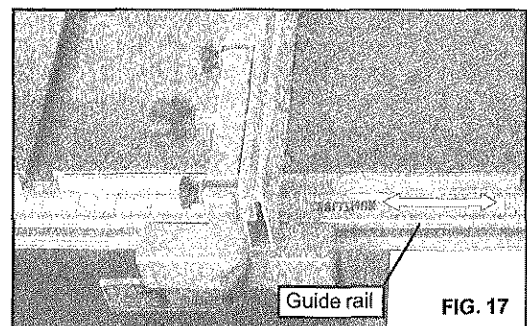


### 6. ADJUSTING THE RIP FENCE GUIDE SCALE

To adjust the rip fence scale loosen the four wing screws below the table and move the scale and the guide rail sideways to adjust. Re-tighten the wing screws when the adjustment is correct. (See FIG.17)

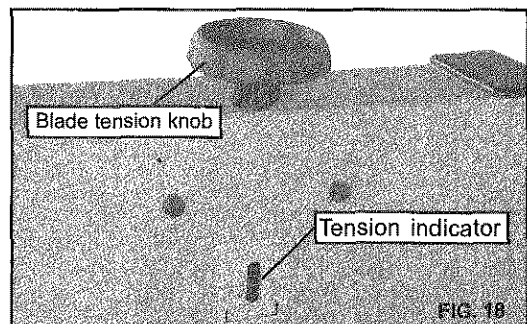
The adjustment may be checked by setting the rip fence to a thickness and cutting a test piece.

When the adjustment is correct the thickness of the test piece will correspond with the rip fence scale setting.



### 7. ADJUSTING THE BLADE TENSION

To loosen the tension of the blade, turn the blade tension knob counter clockwise and the tension indicator will be lower. To tighten the tension of the blade, turn the tension knob clockwise, and the tension indicator will rise.(See FIG.18)



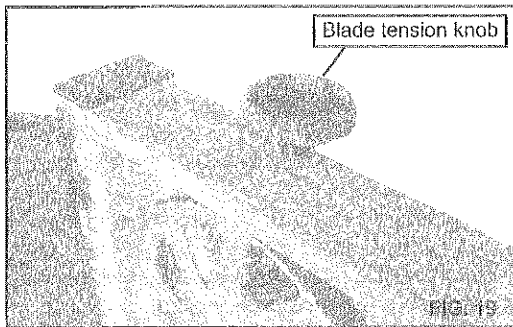
### 8. CHANGING AND ADJUSTING THE SAW BLADE

This bandsaw is factory-equipped with a general-purpose wood cutting blade, the saw blade is set prior to delivery.

To change the saw blade, the following procedure must be followed:

**WARNING:** To avoid injury from unexpected starting, whenever changing the saw blade or carrying out adjustments, switch the bandsaw off and remove the power cord from the main outlet. To avoid injury to hands when handling the saw blade, wear gloves whenever necessary.

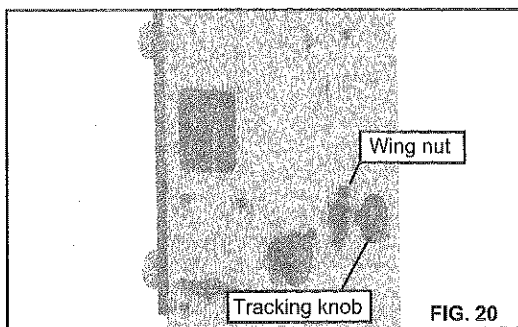
- Remove the rip fence, the guide rail, the wing nut and screw from the table.
- Open the upper and lower doors by turning the door locking knobs.
- Loosen the blade tension by turning the blade tension knob on the top of the upper wheel housing counterclockwise until the saw blade has slackened (viewed from above) (See FIG. 19).
- Remove the saw blade from the upper and lower wheels.
- When fitting the new saw blade ensure the blade teeth are pointing downwards and towards you at the position where the saw blade passes through the table.



- Re-tension the new saw blade and check the saw blade tracking by turning the upper wheel by hand. The saw blade should run in the center of the bandsaw wheels.
- If needed adjust the tracking of the saw blade, proceed as mentioned below "TRACKING THE SAW BLADE"
- Replace the rip fence, the guide rail, the wing nut and screw to the table.
- Close the upper and lower doors by turning the door locking knobs before reconnecting the power supply.

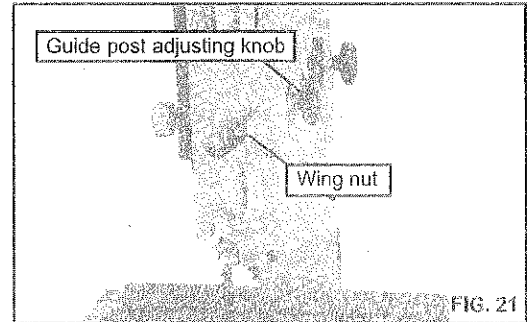
## 9. TRACKING THE BANDSAW BLADE

Set the tracking of the saw blade before setting the blade guides. Once the saw blade is installed and tensioned, track the saw blade by adjusting the tracking knob by hand (See FIG. 20). The saw blade should run in the center of the bandsaw wheels. When the correct adjustment is achieved lock the tracking knob with the wing nut.



## 10. SETTING THE CUTTING HEIGHT

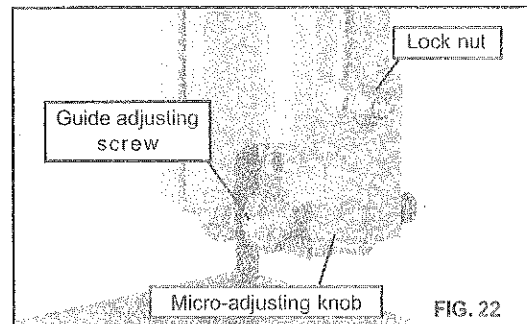
- The upper blade guide should be set as close as practical against the workpiece.
- To adjust this height, loosen the wing nut at the side of the upper wheel housing. (See FIG. 21)
- Set the blade guide to the required height by turning the guide post adjusting knob.
- Tighten the wing nut after setting.



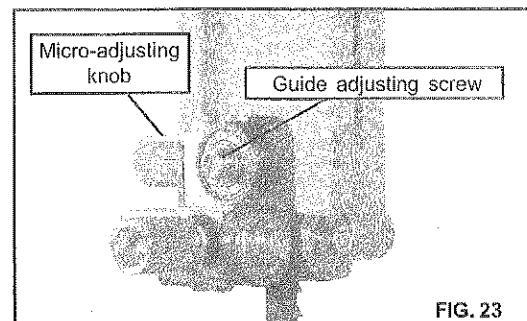
## 11. ADJUSTING THE BLADE GUIDES

### The Upper Blade Guide

- To adjust the upper blade guides, first position the right and left roller guides relative to the blade by loosening the lock nut FIG.22 and moving the guide carrier until both roller guides are approximately 1/16" behind the gullets of the saw blade.
- Set both roller guides to within 1/32" of the saw blade by releasing the guide adjusting screw FIG.22 on each side of the saw blade through turning the micro-adjusting knobs. Do not set the roller guides too close as this will adversely affect the life of the saw blade.

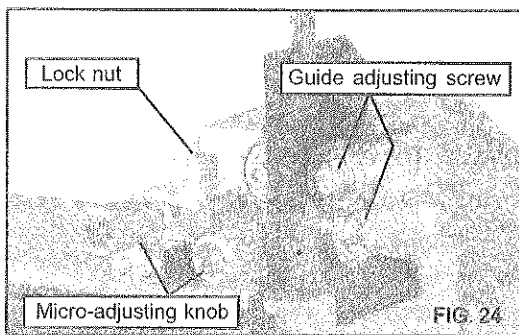


- Adjust the rear roller guide to be just clear of the back of the saw blade releasing the guide adjusting screw FIG.23 through turning the micro-adjusting knob.
- When the correct adjustment is reached, lock the roller guide in position with the guide adjusting screw FIG.23



## The Lower Blade Guide

- To adjust the lower blade guides, first position the right and left roller guides relative to the blade by loosening the lock nut FIG.24 and moving the guide carrier until both roller guides are approximately 1/16" behind the gullets of the saw blade
- Set both roller guides to within 1/32" of the saw blade by releasing the guide adjusting screw FIG.24 through turning the micro adjusting knobs on each side of the saw blade. Do not set the roller guides too close as this will adversely affect the life of the saw blade.
- Adjust the rear roller guide to be just clear of the back of the saw blade by unlocking the guide adjusting screw FIG.24 through turning the micro-adjusting screw.
- When the correct adjustment is reached, lock the roller guides in position with the guide adjusting screws FIG.24



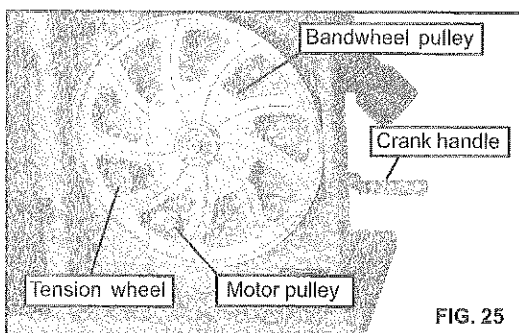
## 12. CHANGING THE BLADE SPEED

This bandsaw has two blade speeds 1450 feet/min for hardwoods, some plastics and certain nonferrous metals and 3000 feet/min for all other timber.

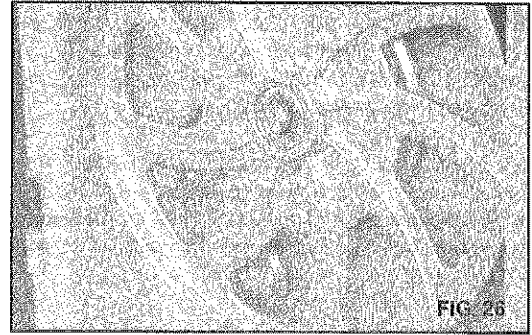
The lower bandwheel has two, integral, multi-vee form pulleys and the motor shaft has a twin multi-vee form pulley.

The drive belt passes around the bandwheel pulley, the motor pulley and the tension wheel. The belt tension is released and applied by using the cranked handle. This moves the tension wheel and allows the speed to be changed.(See FIG.25)

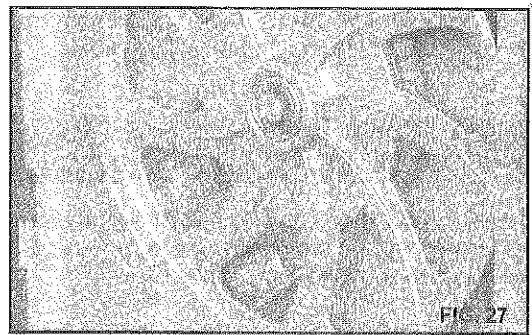
Before changing the speed always make sure the machine has been unplugged from the electrical supply.



For the high speed 3000 ft/min, the belt should be fitted to the rear pulley on both the motor and bandwheel. (See FIG.26)



For the low speed 1450 ft/min, the belt should be fitted to the front pulley on both the motor and bandwheel. (See FIG.27)



## 13. CHANGING THE DRIVE BELT

- Release the saw blade tension by turning the blade tension knob on the top of bandsaw counterclockwise.
- Released the belt tension by using the crank handle.
- Using C-clip pliers (not provided) remove the retaining ring from the center of the lower wheel.
- Carefully slide the lower wheel forward and at the same time release the saw blade from this wheel.
- Remove the old drive belt and fit the new belt. (ensure ribs in drive belt are seated correctly before reassembling and tensioning the drive belt)
- Follow procedures for CHANGING AND ADJUSTING THE SAW BLADE & TRACKING THE BANDSAW BLADE, before restoring power to the bandsaw and setting up for use.

## OPERATION

**WARNING:** Before starting check if any part of your bandsaw is missing, malfunctioning, has been damaged or broken... such as the motor switch, or other operation control, a safety device or the power cord, turn the bandsaw off and unplug it until the particular part is properly repaired or replaced.

The saw blade cuts on a continuous downstroke. To avoid injury when hands are unavoidably near to the saw blade, they should be placed on either side of the blade, not in line with it. Use a push stick whenever possible when working in close proximity to the saw blade.

Start the bandsaw by turning the lock switch on and wait for the bandsaw to come to full speed before starting to cut. Never start the bandsaw with the workpiece in contact with the saw blade.

Slowly feed the workpiece towards the saw blade, putting only light pressure on it. With both hands, firmly hold the workpiece down on the table, and feed it towards the saw blade slowly.

For best results the saw blade must be sharp. Select the right saw blade for the job, depending on the thickness of the wood the cut to be made. The thinner and harder the wood, the finer the teeth of the saw blade. Use a fine tooth blade for cutting sharp curves.

The machine is especially suited for cutting curves, but will also make straight cuts. Do not attempt to turn the workpiece without pushing it, as this may cause the workpiece to get stuck, or the saw blade to bend.

The rip fence is to enable safe and accurate straight cuts of the workpiece, usually in the same direction as the grain of the timber.

The tiltable table is used for bevel cuts.

**WARNING:** When sawing with the rip fence and a tilted table, the rip fence must be installed on that side of the table which is tilted downward.

## MAINTENANCE

**WARNING:** To avoid injury due to unexpected starting, before cleaning or carrying out maintenance work, switch off and disconnect the bandsaw from the power source.

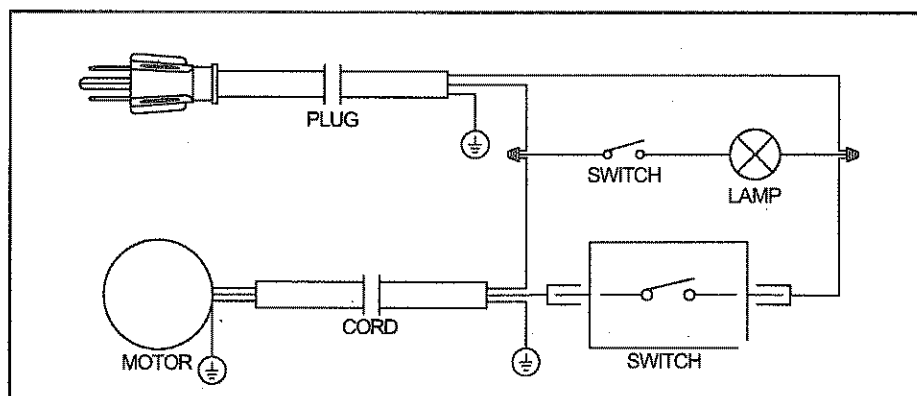
Never use water or other liquids to clean the bandsaw. Use a dry brush.

Regular maintenance of the bandsaw will prevent unnecessary problems.

- Keep the table clean to ensure accurate cutting.
- Keep the outside of the machine clean to ensure accurate operation of all moving parts and prevent excessive wear.
- Keep the ventilation slots of the motor clean to prevent it from overheating.
- Keep the inside (near the saw blade, etc.) clean to prevent accumulation of dust. Use dust collection if possible.
- To prolong the life of the saw blade, when the bandsaw is not in use for extended periods, release the saw blade tension. Before reusing the bandsaw ensure that the blade is re-tensioned and tracking is checked.

## ELECTRICAL SCHEMATIC

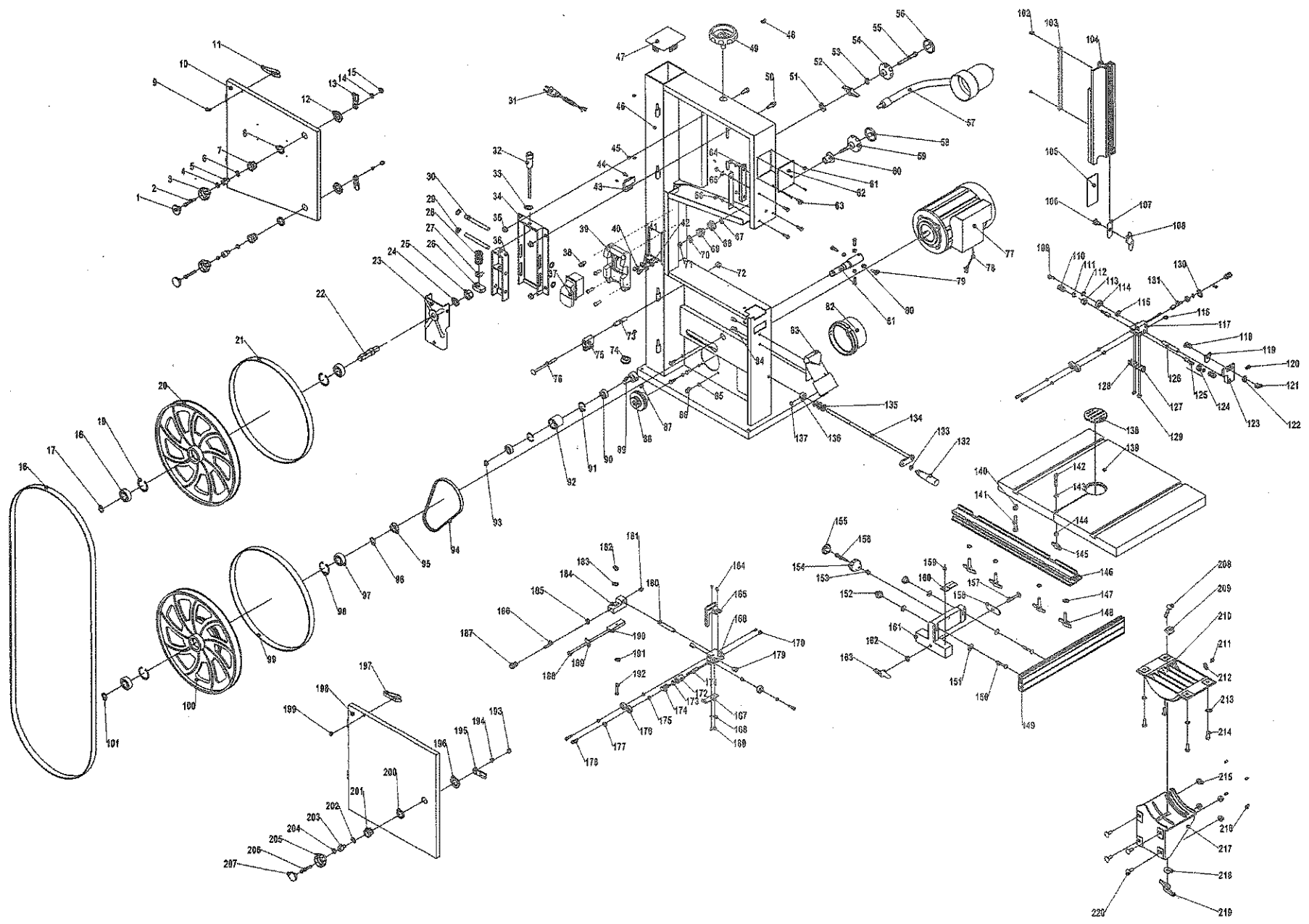
**WARNING:** This machine must be grounded. To avoid electrocution or fire, any repairs to electrical system should be done only by a qualified electrician, using genuine replacement parts.



## TROUBLESHOOTING

Problem	Diagnosis	Remedy
The machine does not work when switched on.	<ol style="list-style-type: none"> <li>1. No power supply.</li> <li>2. Defective switch.</li> <li>3. Defective motor.</li> </ol>	<ol style="list-style-type: none"> <li>1. Check the cable for breakage.</li> <li>2. Replace the lock switch.</li> <li>3. Defective motor.</li> </ol>
The saw blade does not move with the motor running.	<ol style="list-style-type: none"> <li>1. The blade tension knob has not been tightened.</li> <li>2. The blade has come off one of the wheels.</li> <li>3. The saw blade has broken.</li> <li>4. The drive belt has snapped.</li> </ol>	<ol style="list-style-type: none"> <li>1. Switch off the motor, tighten the blade tension knob.</li> <li>2. Open the doors and check.</li> <li>3. Replace the blade.</li> <li>4. Replace the belt.</li> </ol>
The saw blade does not cut in a straight line.	<ol style="list-style-type: none"> <li>1. Rip fence for cutting not used.</li> <li>2. Feed rate too fast.</li> <li>3. The blade teeth are dull or damaged.</li> <li>4. Blade guides not suitably adjusted.</li> </ol>	<ol style="list-style-type: none"> <li>1. Use a rip fence.</li> <li>2. Put light pressure on the workpiece. Make sure the saw blade does not bend.</li> <li>3. Try a new saw blade.</li> <li>4. Adjust the blade guides (see ADJUSTMENT instructions).</li> </ol>
The saw blade does not cut, or cuts very slowly.	<ol style="list-style-type: none"> <li>1. The teeth are dull, caused by cutting hard material or long use.</li> <li>2. The saw blade was fitted the wrong way on the bandsaw.</li> </ol>	<ol style="list-style-type: none"> <li>1. Replace the saw blade, use a 6 T.P.I. saw blade for wood and soft material. Use a 14 T.P.I. saw blade for harder materials. A 14 T.P.I. saw blade always cuts slower due to the finer teeth and the slower cutting performance.</li> <li>2. Fit the saw blade correctly.</li> </ol>
Sawdust builds up inside the machine.	This is normal	Clean the machine regularly. Open the doors and remove the sawdust with a vacuum cleaner.
Sawdust inside the motor housing.	This is normal	Clean the ventilating slots of the motor with a vacuum cleaner. From time to time remove the sawdust to prevent it from being drawn into the housing.
The machine does not cut at 45 or 90 degrees.	<ol style="list-style-type: none"> <li>1. The table is not at right angles to the blade.</li> <li>2. The saw blade is dull or too much pressure was put on the workpiece.</li> </ol>	<ol style="list-style-type: none"> <li>1. Adjust the table.</li> <li>2. Replace the saw blade or put less pressure on the workpiece.</li> </ol>
The saw blade can not be properly positioned on the wheels.	<ol style="list-style-type: none"> <li>1. The wheels are not in alignment or defective bearing.</li> <li>2. The blade tracking knob hasn't been properly adjusted.</li> <li>3. Inferior saw blade.</li> </ol>	<ol style="list-style-type: none"> <li>1. Replace bearing.</li> <li>2. Adjust the blade tracking knob (See ADJUSTMENT instructions).</li> <li>3. Replace the saw blade.</li> </ol>

**Warning:** Use of this product can generate dust containing chemicals known [to the state of California] to cause cancer, birth defects or other reproductive harm.



KEY NO.	DESCRIPTION	KEY NO.	DESCRIPTION	KEY NO.	DESCRIPTION
1	Door locking knob Cap	75	Brush	149	Fence
2	Hex. Bolt M6x40	76	Carriage bolt M8x90	150	Carriage bolt M6x40
3	Door locking knob body	77	Motor	151	Washer 6
4	Hex. Nut M6	78	Motor cable	152	Knurled nut M6
5	Slotted insert	79	Hex. Bolt M6x20	153	Hex. Nut M6
6	Special spring washer	80	Hex. Nut M6	154	Fence adjusting knob body
7	Lock housing	81	Lower bearing bolt	155	Fence adjusting knob cap
8	Washer	82	Dust port 4"	156	Hex. Bolt M6x40
9	Rivet 4x8	83	Dust port 2-1/2"	157	Carriage bolt M8x50
10	Upper door	84	Hex. Socket head cap screw M6x12	158	Bolt guide
11	Leaf spring	85	Spring washer 6	159	Tapping screw 3.5x9.5
12	Special nut M22	86	Hex. Bolt M6x16	160	Indicator
13	Tongue lock	87	Hex. Socket set screw M6x10	161	Rip fence carrier
14	Spring washer 6	88	Motor pulley	162	Washer 8
15	Lock nut M6	89	Sliding shaft	163	Wing nut M8
16	Saw blade	90	Bearing 80101	164	Pan head screw M4x6
17	Retaining ring 17	91	Retaining ring 28	165	Lower blade guard
18	Ball bearing 80203	92	Tension wheel	166	Lower guide body
19	Retaining ring 40	93	Retaining ring 12	167	Micro-adjusting knob bracket/rear
20	Upper wheel	94	Drive belt	168	Washer 4
21	Tire	95	Special hex. Nut	169	Pan head screw M4x5
22	Upper bearing bolt	96	Retaining ring 17	170	Hex socket set screw M6x10
23	Wheel carrier bracket	97	Bearing 80203	171	Bearing mount cylinder w/thread
24	Spring washer 16	98	Retaining ring 17	172	Long tube
25	Hex. Nut M16	99	Tire	173	O-ring
26	Adjusting screw	100	Lower wheel	174	Micro-adjusting knob
27	Blade tension indicator	101	Retaining ring 40	175	Washer 5
28	Spring	102	Tapping screw ST3.5x13	176	Bearing
29	Star lock	103	Rack	177	Tube
30	Mount shaft	104	Blade guide	178	Guide adjusting screw
31	Cable w/plug	105	Slider	179	Bearing mount cylinder
32	Blade tensioner	106	Carriage bolt M8x20	180	Lower guide shaft
33	Washer 8	107	Bolt guide	181	Hex. Socket set screw M6x10
34	Tension bracket	108	Wing nut M8	182	Lock nut M6
35	Flange nut M8	109	Guide adjusting screw	183	Washer 6
36	Blade tensioner	110	Micro-adjusting knob	184	Lower guide mount
37	Lock switch	111	O-ring	185	Hex. Nut M6
38	Pan head screw M4x12	112	Washer 5	186	Hex. Socket set screw M6x35
39	Switch cover plate	113	Long tube	187	Micro-adjusting knob
40	Pan head screw M4x8	114	Bearing 80018	188	Pan head screw M4x5
41	Washer 4	115	Tube	189	Micro-adjusting knob bracket/rear
42	Lock washer 4	116	Guide adjusting screw	190	Lower guide mount seat
43	Tool holder	117	Upper guide body	191	Washer 6
44	Pan head screw M5x10	118	Hex. Bolt 5/16"x7/8"	192	Hex. Bolt M6x35
45	Bushing ring	119	Special washer	193	Lock nut M6
46	Frame	120	Hex socket head screw M8x10	194	Spring washer 6
47	Top plug	121	Hex. Nut 5/16"	195	Tongue lock
48	Roll pin 5x18	122	Washer 8	196	Special nut M22
49	Blade tension knob	123	Upper guide mount	197	Leaf spring
50	Hex. Bolt M8x16	124	Short tube	198	Lower door
51	Washer 8	125	Bearing mount cylinder w/thread	199	Rivet 4x8
52	Wing nut M8	126	Upper guide shaft	200	Washer
53	Hex. Nut M8	127	Micro-adjusting knob bracket/right	201	Lock housing
54	Blade tracking knob body	128	Micro-adjusting knob bracket/left	202	Special spring washer
55	Hex. Bolt M8x70	129	Pan head screw M4x5	203	Slotted insert
56	Blade tracking cap	130	Micro-adjusting knob bracket/rear	204	Hex. Nut M6
57	Working light	131	Bearing mount cylinder w/thread	205	Door locking knob body
58	Adjusting knob cap	132	Crank handle	206	Hex. Bolt M6x40
59	Adjusting knob body	133	Hex. Nut M6	207	Door lock knob cap
60	Tube	134	Belt tension crank arm	208	Carriage bolt M8x50
61	Rivet 3x7	135	Washer 10	209	Glide piece
62	Clear window	136	Set collar	210	Upper table trunnion
63	Hex. Bolt M6x16	137	Set screw M5x8	211	Tapping screw ST3.5x9.5
64	Guide bracket	138	Table insert	212	Indicator
65	Lock washer 6	139	Table	213	Lock washer 8
66	Hex. Nut M6	140	Hex. Nut M8	214	Hex. Bolt M8x16
67	Spring washer	141	Hex. Bolt M8x45	215	Flange nut M8
68	Hex. Nut M20	142	Hex. Socket head cap screw M6x45	216	Hex. Socket set screw M6x10
69	Gear	143	Washer 6	217	Lower table trunnion
70	Washer 6	144	Tube	218	Washer 8
71	Lock nut M6	145	Wing nut M6	219	Wing nut M8
72	Flange nut M8	146	Guide rail	220	Carriage bolt M8x20
73	Tube	147	Washer 8		
74	Rubber tube	148	Wing screw M8		

# Get it fixed, at your home or ours!

## Your Home

For repair – in your home – of all major brand appliances, lawn and garden equipment, or heating and cooling systems, **no matter who made it, no matter who sold it!**

For the replacement parts, accessories and owner's manuals that you need to do-it-yourself.

For Sears professional installation of home appliances and items like garage door openers and water heaters.

**1-800-4-MY-HOME® (1-800-469-4663)**

Call anytime, day or night (U.S.A. and Canada)

[www.sears.com](http://www.sears.com)      [www.sears.ca](http://www.sears.ca)

## Our Home

For repair of carry-in items like vacuums, lawn equipment, and electronics, call or go on-line for the location of your nearest **Sears Parts & Repair Center.**

**1-800-488-1222**

Call anytime, day or night (U.S.A. only)

[www.sears.com](http://www.sears.com)

To purchase a protection agreement (U.S.A.) or maintenance agreement (Canada) on a product serviced by Sears:

**1-800-827-6655 (U.S.A.)**

**1-800-361-6665 (Canada)**

Para pedir servicio de reparación a domicilio, y para ordenar piezas:

**1-888-SU-HOGAR<sup>SM</sup>**  
(1-888-784-6427)

Au Canada pour service en français:

**1-800-LE-FOYER<sup>MC</sup>**  
(1-800-533-6937)  
[www.sears.ca](http://www.sears.ca)

