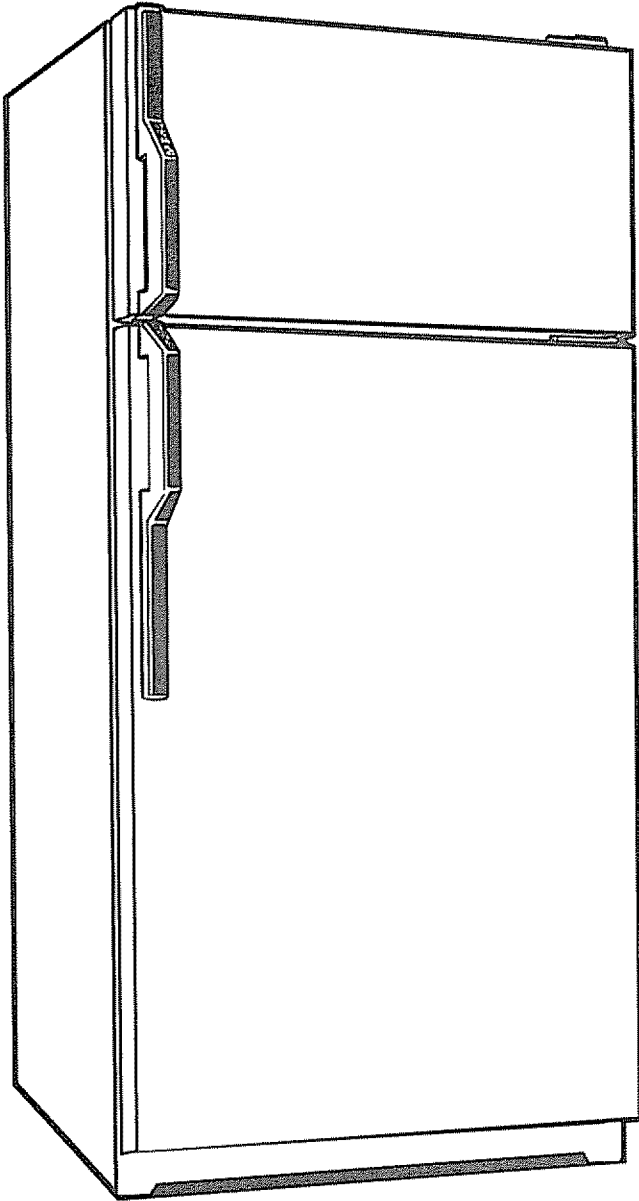


# SEARS

## Kenmore Refrigerator Owner's Manual



### Contents

- Safety Instructions .....2
- Grounding Requirements .....2, 3
- Starting the Refrigerator .....3
- Adjusting the Controls .....3
- Food Storage Suggestions .....4, 5
- Energy-Saving Tips .....5
- Ice Service .....7, 8
- Features .....9
- Care and Cleaning .....10, 11
- Vacation and Moving Precautions .....11
- Before You Call for Service .....12
- Reversing Door Swing .....13–15
- Warranty .....Back Cover

Please record the model number, serial number and date you purchased your Kenmore refrigerator in the space below. See page 9 for model and serial number location.

\_\_\_\_\_

Model Number

\_\_\_\_\_

Serial Number

\_\_\_\_\_

Date of Purchase

SEARS, ROEBUCK AND CO., Hoffman Estates, IL 60179 USA

64421, 64428, 64451, 64458, 64651,  
( 64658) 64851, 64858, 68421, 68428  
equipped for future Automatic Icemaker Installation

# IMPORTANT SAFETY INSTRUCTIONS

## Read all instructions before using this appliance.

**WARNING**—When using this appliance, always exercise basic safety precautions, including the following:

- Use this appliance only for its intended purpose as described in this Owner's Manual.
  - This refrigerator must be properly installed in accordance with the Attention Installer Instructions before it is used. See grounding requirements in this book.
  - Never unplug your refrigerator by pulling on the power cord. Always grip plug firmly and pull straight out from the outlet
  - Repair or replace immediately all electric service cords that have become frayed or otherwise damaged. Do not use a cord that shows cracks or abrasion damage along its length or at either the plug or connector end.
  - When moving your refrigerator away from the wall, be careful not to roll over or damage the power cord.
  - After your refrigerator is in operation, do not touch the cold surfaces in the freezer compartment, particularly when hands are damp or wet. Skin may adhere to the extremely cold surfaces.
  - If your refrigerator has an icemaker, do not place fingers or hands on the automatic icemaking mechanism while the refrigerator is plugged in. This will help protect you from possible injury. It will also prevent interference with the moving parts of the ejector mechanism, or with the heating element that releases the cubes.
  - Do not store or use gasoline or other flammable vapors and liquids in the vicinity of this or any other appliance.
- Don't refreeze frozen foods which have thawed completely. The United States Department of Agriculture in Home and Garden Bulletin No. 69 says: "...You may safely refreeze frozen foods that have thawed if they still contain ice crystals or if they are still cold—below 40°F."
  - "...Thawed ground meats, poultry or fish that have any off-odor or off-color should not be refrozen and should not be eaten. Thawed ice cream should be discarded. If the odor or color of any food is poor or questionable, get rid of it. The food may be dangerous to eat."
  - "Even partial thawing and refreezing reduce the eating quality of foods, particularly fruits, vegetables and prepared foods. The eating quality of red meats is affected less than that of many other foods. Use refrozen foods as soon as possible to save as much of their eating quality as you can."
- If your old refrigerator is still around the house but not in use, be sure to remove the doors. This will reduce the possibility of danger to children.
  - Do not allow children to climb, sit, stand or hang on the shelves in the refrigerator. They could damage the refrigerator and seriously injure themselves.
  - Unplug your refrigerator before cleaning and making repairs. **NOTE:** We strongly recommend that any servicing be performed by a qualified individual.
  - Before replacing a burned-out light bulb, unplug the refrigerator or turn off power at the circuit breaker or fuse box in order to avoid contact with a live wire filament. (A burned-out light bulb may break when being replaced.) **NOTE:** Turning control to OFF position does not remove power to the light circuit.

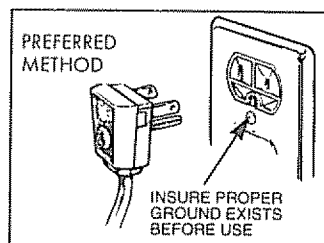
## SAVE THESE INSTRUCTIONS

## Grounding Requirements Important—Please read carefully.

To connect electricity

For personal safety, this appliance must be properly grounded.

The power cord of this appliance is equipped with a three-prong (grounding) plug which mates with a standard three-prong (grounding) wall outlet to minimize the possibility of electric shock hazard from this appliance.



Have wall outlet and circuit checked by a qualified electrician to make sure outlet is properly grounded.

Where a standard two-prong wall outlet is encountered, it is your personal responsibility and obligation to have it replaced with a properly grounded three-prong wall outlet.

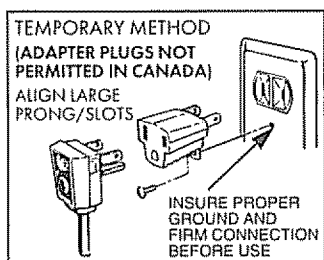
**DO NOT, UNDER ANY CIRCUMSTANCES, CUT OR REMOVE THE THIRD (GROUND) PRONG FROM THE POWER CORD.**

# Starting the Refrigerator

## Use of adapter plug

Because of potential safety hazards under certain conditions, we strongly recommend against use of an adapter plug. However, if you still elect to use an adapter, where local codes permit, a TEMPORARY CONNECTION may be made to a properly grounded two-prong wall outlet by use of a UL listed adapter available at most local hardware stores.

The larger slot in the adapter must be aligned with the larger slot in the wall outlet to provide proper polarity in the connection of the power cord.



**CAUTION:** Attaching the adapter ground terminal to the wall outlet cover screw does not ground the appliance unless the cover screw is metal, and not insulated, and the wall outlet is grounded through the house wiring. You should have circuit checked by a qualified electrician to make sure the outlet is properly grounded.

**When disconnecting the power cord from the adapter,** always hold the adapter with one hand while pulling the power cord plug with the other hand. If this is not done, the adapter ground terminal is very likely to break with repeated use.

**Should the adapter ground terminal break, DO NOT USE the appliance until a proper ground has again been established.**

## Use of Extension Cords

Because of potential safety hazards under certain conditions, we strongly recommend against the use of an extension cord. However, if you still elect to use an extension cord, it is absolutely necessary that it be a UL listed 3-wire grounding type appliance extension cord having a grounding type plug and outlet and that the electrical rating of the cord be 15 amperes (minimum) and 120 volts.

## Electrical Requirements

**The refrigerator should always be plugged into its own individual electrical outlet which has a voltage rating that matches the rating plate.** This provides the best performance and also prevents overloading house wiring circuits, which could cause a fire hazard from overheating wires.

## Location

- Install the refrigerator on a floor strong enough to support it when it is fully loaded.
- Do not install it where the temperature will go below 60°F. because it will not run often enough to maintain proper temperatures.
- Do not install it next to your range, a heating vent or where the sun will shine directly on it.

## Clearances

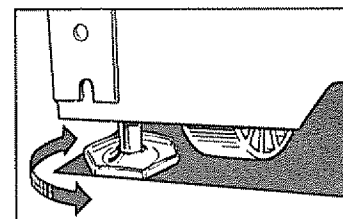
Allow the following clearances for ease of installation, proper air circulation, and plumbing and electrical connections:

Sides .....3/4"      Top .....1"      Back .....1"

## Rollers/Leveling Legs

**Leveling legs** near each front corner of the refrigerator are adjustable. They firmly position the refrigerator and prevent it from opening when the doors are closed. They should be set so the front is raised just enough that the doors close easily when opened about halfway.

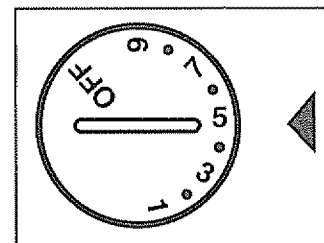
Turn the leveling legs **clockwise to raise** the refrigerator, **counterclockwise to lower** it.



**Rollers** next to the leveling legs enable you to move the refrigerator away from the wall for cleaning. Turn the legs counterclockwise until the weight of the refrigerator is transferred from the legs to the rollers. After rolling the refrigerator back into place, turn the legs clockwise until the legs again support the refrigerator.

## Temperature Control

The temperature control dial has nine settings plus OFF. "1" is the warmest. "9" is the coldest. Initially set the temperature control dial at "5."



After using the refrigerator, adjust the temperature control if necessary. Insert a coin into the slot in the middle of the dial and you can turn the dial to the setting that is best suited to your needs.

Allow 24 hours for temperatures to stabilize.

**NOTE:** Turning the temperature control dial to **OFF** stops cooling in both compartments—fresh food and freezer.

# Food Storage Suggestions

## Suggested Storage Times

Eating quality drops after time shown	DAYS	MONTHS
	IN REFRIGERATOR AT 35° to 40°F.	IN FREEZER AT 0°F.
<b>Fresh Meats</b>		
Roasts (Beef & Lamb)	3 to 5	6 to 12
Roasts (Pork & Veal)	3 to 5	4 to 8
Steaks (Beef)	3 to 5	6 to 12
Chops (Lamb)	3 to 5	6 to 9
Chops (Pork)	3 to 5	3 to 4
Ground & Stew Meats	1 to 2	3 to 4
Variety Meats	1 to 2	3 to 4
Sausage (Pork)	1 to 2	1 to 2
<b>Processed Meats</b>		
Bacon	7	1
Frankfurters	7	1/2
Ham (Whole)	7	1 to 2
Ham (Half)	3 to 5	1 to 2
Ham (Slices)	3	1 to 2
Luncheon Meats	3 to 5	Freezing not recom- mended
Sausage (Smoked)	7	
Sausage (Dry & Semi-Dry)	14 to 21	
<b>Cooked Meats</b>		
Cooked Meats and Meat Dishes	3 to 4	2 to 3
Gravy & Meat Broth	1 to 2	2 to 3
<b>Fresh Poultry</b>		
Chicken & Turkey (Whole)	1 to 2	12
Chicken (Pieces)	1 to 2	9
Turkey (Pieces)	1 to 2	6
Duck & Goose (Whole)	1 to 2	6
Giblets	1 to 2	3
<b>Cooked Poultry</b>		
Pieces (Covered with Broth)	1 to 2	6
Pieces (Not Covered)	3 to 4	1
Cooked Poultry Dishes	3 to 4	4 to 6
Fried Chicken	3 to 4	4
<b>(Other than for meats &amp; poultry)</b>		
Most fruits and vegetables		8-12 months
Lean fish		6-8 months
Fatty fish, rolls and breads, soups, stew, casseroles		2-3 months
Cakes, pies, sandwiches, leftovers (cooked), Ice cream (original carton)		1 month max.

Meats, fish and poultry purchased from the store vary in quality and age; consequently, safe storage times in your refrigerator will vary.

New techniques are constantly being developed. Consult the College or County Extension Service or your local Utility Company for the latest information on freezing and storing foods.

## Fresh Food Storage Tips

### To store unfrozen meats, fish and poultry:

- Always remove store wrappings.
- Rewrap in foil, film or wax paper and refrigerate immediately.

**To store cheese**, wrap well with wax paper or aluminum foil, or put in a plastic bag.

- Carefully wrap to expel air and help prevent mold.
- Pre-packaged cheese can be stored in its own wrapping.

**To store vegetables**, use the vegetable drawers—they've been designed to preserve the natural moisture and freshness of produce.

- Covering vegetables with a moist towel helps maintain crispness.
- As a further aid to freshness, pre-packaged vegetables can be stored in their original wrapping.

## Tips on freezing foods

**1. Freeze only top-quality foods.** Freezing retains quality and flavor; it cannot improve quality.

**2. Freeze fruits and vegetables quickly after picking.** The sooner you do, the better the frozen product will be, with less culling and sorting to do.

**3. Use food wraps designed especially for freezing.**

**To freeze meat, fish and poultry**, wrap well in freezer-weight foil (or other heavy-duty wrapping material) forming it carefully to the shape of the contents. This expels air. Fold and crimp ends of the package to provide a good, lasting seal.

Don't refreeze meat that has completely thawed; meat, whether raw or cooked, can be frozen successfully only once.

Limit freezing of fresh (unfrozen) meats or seafoods to 12 pounds at a time.

**To store ice cream**—Fine-quality ice cream, with high cream content, will normally require slightly lower temperatures than more "airy" already-packaged brands with low cream content.

- Experiment to determine the freezer compartment location and temperature control setting to keep your ice cream at the right serving temperature.
- The rear of the freezer compartment is slightly colder than the front.

## For convenience...

- Store like things together. This saves both time and electricity because you can find foods faster.

- Place the oldest items up front so they can be used up promptly.
- Use door shelves for most often used items.

### To save money in energy and food costs...

- Cover moist foods with tight lids, plastic film or foil.
- Leaf vegetables and fruits placed in drawers will last longer when stored in closed plastic containers or wrapped in plastic film.
- Do not overload your fresh food or freezer compartment with a lot of warm food at once.
- Open the doors the fewest times possible to save electrical energy.
- When going out of town for several days, leave as few perishables as possible in the refrigerator. If your refrigerator has an icemaker, move the icemaker feeler arm to the STOP (up) position and shut off water to the refrigerator.

## Energy-Saving Tips

- Location of your refrigerator is important. Avoid locating it next to your range, a heating vent or where the sun will shine directly on it.
- In order for the refrigerator to work properly, air must circulate around it. See page 3 for recommended minimum clearances.
- Don't open the doors more often than necessary.
- Close the doors as soon as possible, particularly in hot, humid weather.
- Be sure the doors are closed tightly. Before leaving the house or retiring for the night, check to be sure the doors haven't been left open accidentally.
- Store only those foods requiring refrigeration in your refrigerator.
- Wipe moisture from bottles and cartons before putting them in the refrigerator.
- Keep foods covered to reduce moisture buildup inside the refrigerator.
- If you turn the control to the coldest position for quick chilling or freezing, be sure to turn it back to regular setting.
- Keep the condenser clean (see Care and Cleaning section).
- Don't overcrowd your refrigerator. Overcrowding can require extra electrical energy to keep everything cool.

## Shelves

### Adjustable Shelves

Shelf supports at various levels enable you to reposition the shelves from time to time to better accommodate your variable inventory of refrigerated foods.

### Half-Width Shelves (on models so equipped)

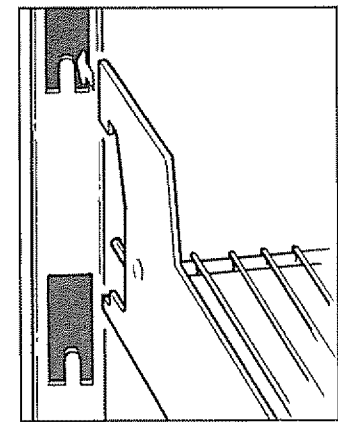
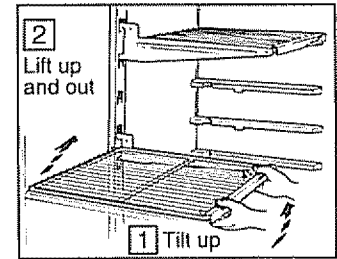
One end rests on a molded side-wall support; a bracket on the other end hooks into a track on the rear cabinet wall.

To remove, lift the shelf up at front, then off the support and out of the track.

To replace, select desired shelf height. With shelf front raised slightly, hook the bracket's top lug into the track, then lower the shelf onto the support.

Tempered glass shelves (on models so equipped) are adjustable in the same manner.

Note: The shelf to the right of the track is designed to hook into the right-hand slot; the shelf to the left is designed to hook into the left-hand slot.

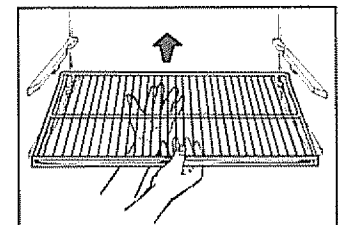
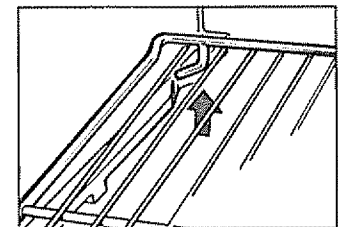


### Full-Width Shelves (on models so equipped)

Some models have a steel wire sliding shelf, a stationary tempered glass shelf or two steel wire stationary shelves. These shelves can be relocated elsewhere in the fresh food compartment.

The full-width sliding shelf has stop-locks. When placed correctly on the shelf supports, the shelf will stop before coming completely out of the refrigerator and will not tilt when you place food on it or remove food from it.

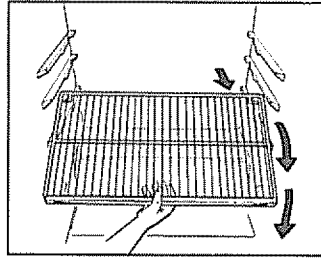
To remove any full-width shelf, lift the rear of the shelf and pull forward.



(continued next page)

## Shelves (continued)

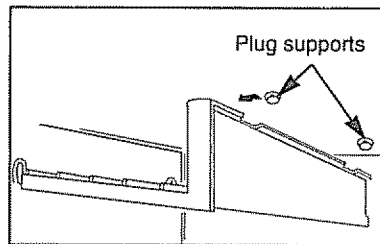
To remove a full-width shelf when the fresh food compartment door cannot be opened fully, lift the rear of the shelf, pull forward and down, tilt the shelf and take it out.



## Freezer Compartment Shelves

Some models have an ice-tray shelf and some have a full-width step shelf.

**To remove the ice-tray shelf:** Lift the left side of the shelf off its supports, then pull the shelf to the left to free it of the plug supports. Pull the shelf to the right to free the pins from the holes in the cabinet wall.



### To remove the step shelf:

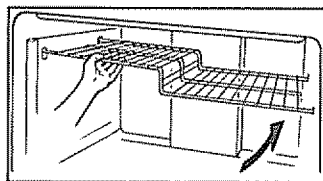
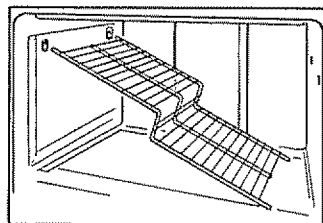
(1) Lift the left side of the shelf slightly and move the shelf to the left to free its right ends from holes in the cabinet wall.

(2) Lower the right side of the shelf, move the shelf to the right and take it out.

### To replace the step shelf:

(1) With the shelf tilted as shown, fit the left ends of the shelf into holes in the cabinet wall.

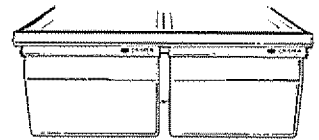
(2) Lift the left side of the shelf slightly, swing the shelf up, fit the right ends of the shelf into holes in the cabinet wall, and lower the shelf into place.



## Storage Drawers

### Crisper Drawer (on some models)

The drawer on the left is designed to keep unwrapped foods fresh by retaining the natural moisture content of foods such as:



- Artichokes
- Asparagus
- Beets, topped
- Blueberries
- Carrots
- Celery
- Cherries
- Corn
- Currants
- Greens, leafy
- Lettuce
- Parsley
- Peas, green
- Plums
- Radishes
- Rhubarb
- Spinach
- Tomatoes, ripe

As in any refrigerated storage area, foods with strong odors should be stored wrapped—foods such as:

- Brussels sprouts
- Broccoli
- Cabbage
- Cauliflower
- Green onions
- Turnips
- Parsnips

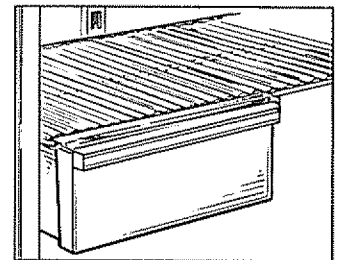
### Crisper Drawer (on some models)

The drawer on the right is designed to provide lower humidity storage for items such as:

- Apples
- Apricots
- Grapes
- Mushrooms
- Nectarines
- Oranges
- Peaches
- Pears
- Raspberries
- Squash, summer
- Strawberries
- Tangerines

## Meats Drawer

This slide-out drawer provides convenient storage for lunch meats, cheese, hors d'oeuvres, spreads and snacks. It and the shelf to which it attaches can be relocated within the fresh food compartment to suit your storage needs.

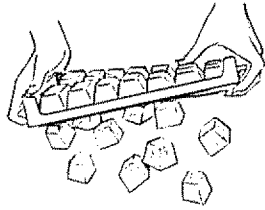


# Ice Service

## Ice Trays

(on models without automatic icemaker)

To release ice cubes, turn the tray upside down, hold it over a container, and twist both ends.



For only one or two ice cubes, leave the tray right-side up, twist both ends slightly, and remove as many cubes as you want.

Wash ice trays in lukewarm water only. Do not put them in an automatic dishwasher.

## Automatic Icemaker Accessory Kit

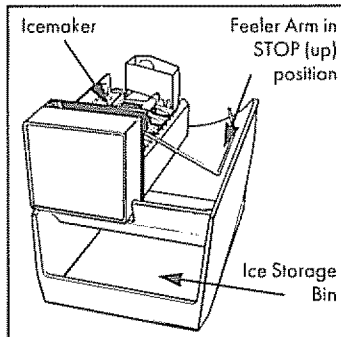
(optional at extra cost)

If your refrigerator did not come already equipped with an automatic icemaker, you may add one— contact your Sears store or Sears Service Center.

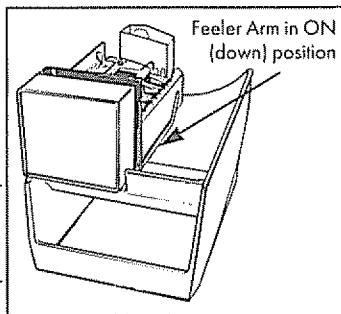
## Automatic Icemaker

(on icemaker-equipped models)

If your refrigerator is operated before water is connected to the icemaker, keep the icemaker feeler arm in the STOP (up) position.



When the refrigerator has been connected to the water supply and the water has been turned on, move the ice storage bin into place under the icemaker. Then move the feeler arm to the ON (down) position.



The ice cube mold will automatically fill with water after cooling to freezing temperature, and first cubes normally freeze after several hours

When cubes are solidly frozen, they will be ejected from the mold into the ice storage bin by means of a sweeper arm. Icemaking will continue until the feeler arm senses that there are enough cubes in the bin and halts the operation temporarily. Be sure nothing interferes with the swing of the feeler arm.

For maximum ice storage, level the stored cubes with your hand occasionally.

Once your icemaker is in operation, throw away the first few batches of ice cubes. This will flush away any impurities in the water line. Do the same thing after vacations or long periods when ice isn't used.

Move feeler arm to STOP (up) position when:

- the home water supply is to be off for several hours.
- the ice storage bin is to be removed for a period of time.
- going away on vacation. (Also turn off the valve in the water supply line to the refrigerator.)

If ice is not used often, old cubes will become cloudy and taste stale. Empty the ice storage bin periodically and wash it in lukewarm water.

If this is your first icemaker, you will hear occasional sounds that may be unfamiliar. They are normal ice-making sounds and are not cause for concern.

## Water Filter Accessory

(optional at extra cost)

Your ice cubes can only be as fresh-tasting as the water that produces them. That's why it's a good idea to purify the water with a water filter.

The water filter is an optional part at extra cost and is available from your Sears Service Center. Order Filter No. 978488 and it may be installed in minutes when attached to the inlet water tube connection.

## Water Supply Accessory Kit

(optional at extra cost)

A water supply kit containing copper tubing, shut-off valve, fittings and instructions needed to connect the icemaker to your cold water line is also available from your Sears store or Sears Service Center.

**See Automatic Icemaker Water Line Installation Requirements on next page.**

# Ice Service (continued)

## Icemaker Water Line Installation Requirements

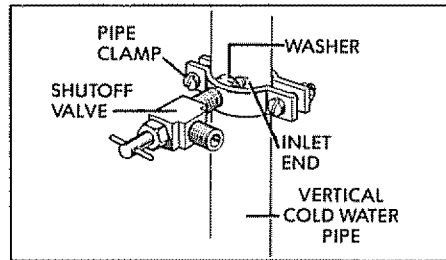
You will need a shutoff valve, two 1/4" O.D. compression nuts, two compression sleeves and enough 1/4" O.D. copper tubing to connect refrigerator to water source. (Your Sears Store or Catalog Sales Office has a kit available with a saddle-type shutoff valve and copper tubing. Before purchasing, make sure a saddle-type valve complies with your local plumbing codes.)

**CAUTION:** Do not install icemaker tubing in areas where temperatures fall below freezing.

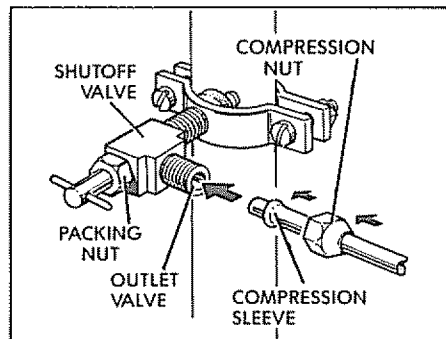
1. Find a 3/8" to 1" vertical COLD water pipe near the refrigerator. When it is necessary to connect into a horizontal water pipe, make the connection to the top or side, rather than at the bottom to avoid drawing off any sediment from the water pipe.
2. Measure from INLET on rear of refrigerator to water pipe. Add 7 feet to allow for moving refrigerator for cleaning. This is the length of 1/4" O.D. copper tubing you will need for the job (length from water valve to water pipe PLUS 7 feet). Be sure both ends of copper tubing are cut square.
3. Turn OFF main water supply. Turn on nearest faucet long enough to clear line of water.

**CAUTION:** When using any electrical device (such as a power drill) to facilitate installation, be sure the device is insulated or wired in a manner to prevent the hazard of electrical shock.

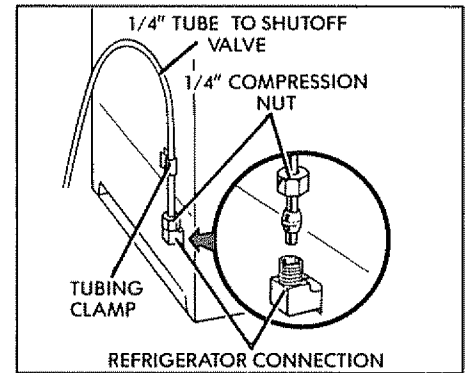
4. Using a grounded drill, drill a 3/16" hole in the vertical cold water pipe you have selected.



5. Fasten shutoff valve to cold water pipe with pipe clamp. Be sure inlet end is solidly in 3/16" drilled hole in water pipe and washer is under pipe clamp. Tighten packing nut. Tighten pipe clamp screws carefully and evenly so washer makes a watertight connection. Do not overtighten or you may crush copper tubing, especially if soft copper tubing is used. Now you are ready to connect the copper tubing.



6. Slip compression sleeve and compression nut on copper tubing as shown above. Insert end of tubing into outlet end squarely as far as it will go. Screw compression nut to outlet end with adjustable wrench. Do not overtighten. Turn ON main water supply and flush out tubing until water is clear. Turn OFF shutoff valve on water pipe. You are now ready to connect other end of 1/4" copper tubing to water valve on back of refrigerator.



7. The water valve (supplied in the icemaker kit, if not already on your model) has a compression fitting protruding through the compressor compartment cover at the rear of the refrigerator. Assemble compression nut on compression fitting as shown above. Insert end of tubing into connector and tighten compression nut. Be sure end of tubing is square in connector and is inserted as far as it will go. Do not overtighten. Be sure there is enough extra tubing (coiled into three turns of about 10" diameter) to allow refrigerator to move out from wall after installation. Secure tubing in metal clamp at top right corner of compressor compartment cover.

8. Turn shutoff valve ON. TIGHTEN ANY CONNECTIONS OR NUTS THAT LEAK.

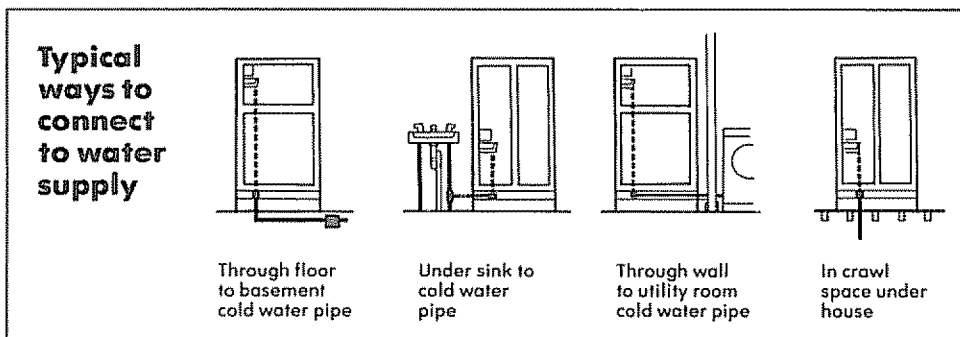
9. Copper tubing may now be fastened to baseboard.

10. Your ice cubes can only be as fresh-tasting as the water that produces them. That's why it is a good idea to purify the water with a water filter. The water filter is an optional part at extra cost and is available from the Sears Service Center. Order Filter No. 978488 and install at the inlet water tube connection.

11. Water Pressure Limitations: Not below (15 P.S.I.) or above (125 P.S.I.). If a problem occurs, call your Utility Company.

**IMPORTANT:** It may take up to 24 hours for your icemaker to begin producing ice.

The first few batches of ice cubes should be thrown away, so that remaining impurities in the water line will be flushed out.



# Features\*

## FLEXIBLE ICE CUBE TRAYS

Twist both ends of these trays and ice cubes empty into a container or cubes can be lifted out one by one. Available only on models without an automatic icemaker.

## TEMPERATURE CONTROLS

Set control at "5." It may need adjusting later. See page 4.

## FREEZER CONVENIENCE SHELVES

Some models have an ice tray shelf that holds trays up, out of the way. Some have a lower-level shelf to the right of the ice tray shelf, and others have a full-width step shelf for extra storage flexibility.

## AUTOMATIC ICEMAKER OR PROVISION FOR ONE

If your refrigerator has an automatic icemaker, see page 7 for operating instructions. If not, you may add one. An automatic icemaker accessory kit is available from your Sears store or Sears Service Center.

## USE AND CARE LABEL

Information you'll want to know is right on the refrigerator, including everyday care.

## MODEL AND SERIAL NUMBER LOCATION

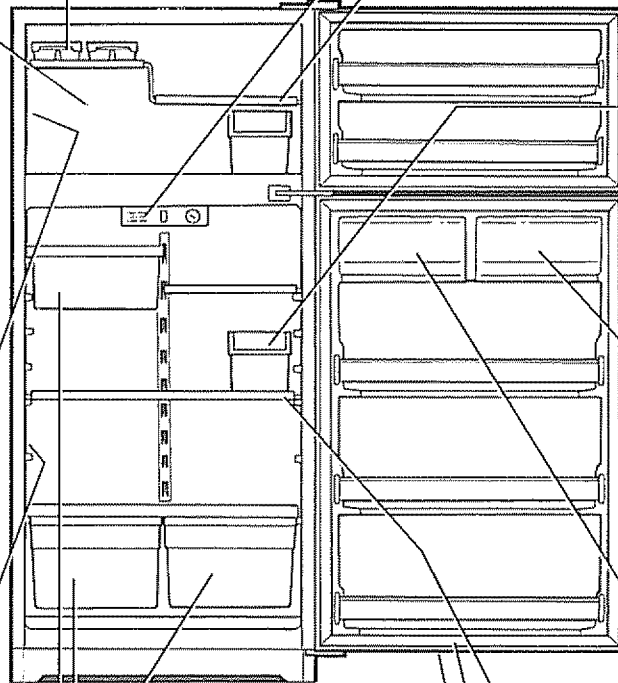
You'll find these numbers here. To order repair parts, see the parts list that came with your refrigerator, or take these numbers to your nearest Sears Service Center and they will help you.

## MEATS DRAWER

Drawer provides convenient storage for snacks, hors d'oeuvres, lunch meat, bacon, cheese and spreads.

## NO DEFROSTING

It is not necessary to defrost the freezer or fresh food compartments. Your refrigerator is designed and equipped to defrost itself automatically.



## UTILITY BIN

Dual-usage bin holds two dozen eggs in their cartons, or stores an extra supply of ice cubes in the freezer for special occasions.

## DAIRY BIN

Covered compartment helps keep butter and similar products at the right consistency for easy spreading.

## HANDI BIN

Door stays open while bin is in use, provides easy access to dairy products.

## CRISPER DRAWER

The right drawer is designed to allow higher air flow to provide lower humidity levels for most fruits.

## CRISPER DRAWER

The left drawer is designed to maintain higher humidity levels for unwrapped foods and most vegetables. An adjustable humidity control on some models lets you regulate the amount of cold air entering the drawer.

## ADJUSTABLE SHELVES

These shelves let you arrange—and rearrange—the interior of your refrigerator to meet your everchanging food storage needs.

## MAGNETIC DOOR GASKETS

Doors close quietly, and gaskets seal tightly when the refrigerator is level—see page 3.

## TEXTURED STEEL DOORS

Touch the textured doors; they won't show fingerprints.

\*All features not on all models

# Care and Cleaning

## Outside

**The door handles and trim** can be cleaned with a cloth dampened with a solution of mild liquid dishwashing detergent and water. Dry with a soft cloth. Don't wax handles or trim.

**Keep the finish clean.** Wipe with a clean cloth lightly dampened with kitchen appliance wax or mild liquid dishwashing detergent. Dry and polish with a clean, soft cloth. Do not wipe the refrigerator with a soiled dishwashing cloth or wet towel. They may leave a residue that can harm the paint. Do not use scouring pads, powdered cleaners, bleach or cleaners containing bleach because these products can scratch and weaken the paint finish.

**Protect the paint finish.** The outside of the refrigerator has a high quality, baked-on paint finish. With proper care, it will stay new-looking and rust-free for years. Apply a coat of kitchen appliance wax when the refrigerator is new and then at least twice a year.

## Inside

**Clean the inside of the fresh food and freezer compartments at least once a year.** Unplug the refrigerator before cleaning. If this is not practical, wring excess moisture out of sponge or cloth when cleaning around switches, lights or controls.

Apply an appliance wax/polish to the inside surface between the doors.

Use warm water and baking soda solution—about a tablespoon of baking soda to a quart of water. This both cleans and neutralizes odors. Rinse thoroughly with water and wipe dry.

Other parts of the refrigerator—including door gaskets, vegetable drawers, ice trays and all plastic parts—can be cleaned the same way. After cleaning door gaskets, apply a thin layer of petroleum jelly to the door gaskets at the hinge side. This helps keep the gaskets from sticking and bending out of shape. Do not use cleansing powders or other abrasive cleaners.

Avoid cleaning cold glass shelves (on some models) with hot water because the extreme temperature difference may cause them to break.

To help prevent odors, leave an open box of baking soda in the rear of the refrigerator, on the top shelf. Change the box every three months. An open box of baking soda in the freezer will absorb stale odors.

**Do not wash any plastic parts from your refrigerator in your automatic dishwasher.**

## Behind Refrigerator

Be careful moving your refrigerator away from the wall. All types of floor coverings can be damaged, particularly cushioned coverings and those with embossed surfaces.

Turn the leveling legs counter-clockwise until the rollers support the refrigerator.

Pull the refrigerator straight out and push it straight back—moving it in a side direction may damage your floor covering or refrigerator.

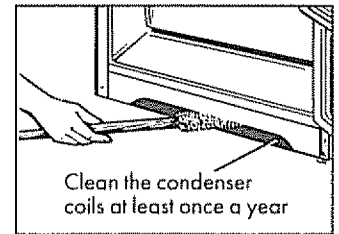
After rolling the refrigerator back into place, turn the legs clockwise until the legs again bear the weight of the refrigerator.

## Under Refrigerator

The condenser is located behind the base rail. For most efficient operation, you need to keep the condenser clean. Turn temperature control to OFF.

Sweep away or vacuum dust that is readily accessible on condenser coils, then turn the control back on. For best results, use a brush specially designed for this purpose. It is available at your Sears store or service center.

This easy cleaning operation should be done at least once a year.



## Storage Drawers

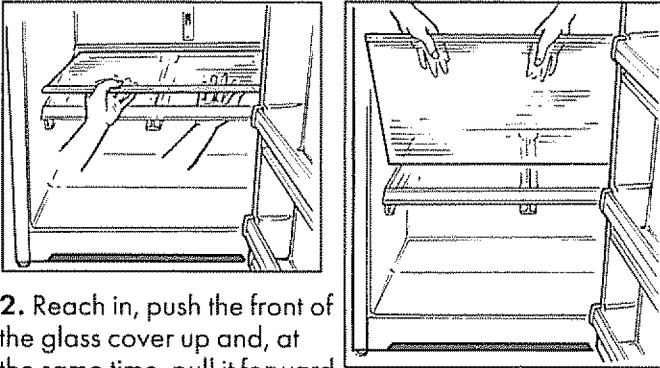
Drawers at the bottom of the fresh food compartment will stop before coming all the way out of the refrigerator to help prevent contents from spilling onto the floor. The drawers can be removed easily by grasping the sides and lifting up slightly while pulling past the "stop" location.

To remove the drawers when the fresh food compartment door cannot be opened fully, follow the procedure that applies to your model.

## Twin Drawers with Glass Cover (on models so equipped)

### To remove the glass cover:

1. Remove the drawers.



2. Reach in, push the front of the glass cover up and, at the same time, pull it forward as far as it will come. Tilt it and take it out.

3. Remove the drawer frame. (Always remove the glass cover before you take out the drawer frame.)

Lift the frame off the supports at each side and back, pull it forward, tilt it and take it out.

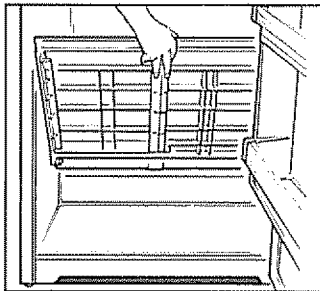
### To replace the glass cover:

1. Lower the frame until it rests on the supports at each side and back.
2. Replace the glass cover, pushing its rear edge firmly into the rear frame channel and gently lowering the front into place.
3. Replace the drawers.

## Full-Width Drawers with Plastic Cover (on models so equipped)

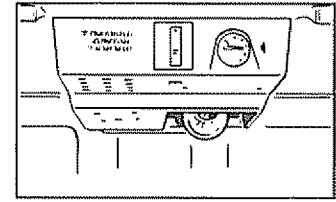
To remove the cover, lift it off its supports, pull it forward, unplug it, tilt it and take it out.

To remove the drawer, lift the front up slightly and pull the drawer straight out.



## Light Bulb Replacement

A light bulb and socket are located at the top of the fresh food compartment just behind the temperature control dial. To replace a burned-out bulb, unplug the refrigerator, unscrew the bulb when cool, and replace it with a same size appliance bulb.



## Vacation Precautions

**For extended vacations or absences**, shut off power to the refrigerator, turn the control to the OFF position and clean the interior with a baking soda solution of one tablespoon of baking soda to one quart of water. Wipe dry. To prevent odors, leave an open box of baking soda in the refrigerator. Leave the doors open.

**For shorter vacations**, remove perishable foods and leave controls at their regular settings. However, if room temperature is expected to drop below 60°F., follow the same instructions as for extended vacations.

**If your refrigerator has an icemaker**, move the icemaker feeler arm to the STOP (up) position and be sure to shut off the water supply to the refrigerator.

## Moving Precautions

Disconnect the power cord from the wall outlet, remove all food, and clean and dry the interior.

**Secure all loose items** such as shelves and drawers by taping them securely in place to prevent damage, and raise the leveling legs.

Be sure the refrigerator stays in an *upright* position during actual moving and in the van. It must be secured in the van to prevent movement. Protect outside of refrigerator with a blanket.

# Before You Call for Service

Save time and money. Check this list of causes of minor operating problems you can correct yourself.

## Refrigerator does not operate

- May be in defrost cycle when motor does not operate for about 30 minutes
- Temperature control in OFF position
- If interior light is not on, refrigerator may not be plugged in at wall outlet.
- If plug is secure and refrigerator fails to operate, plug lamp or small appliance into same outlet to determine if there is tripped circuit breaker or burned out fuse.

## Motor operates for long periods

- Modern refrigerators with more storage space and a larger freezer compartment require more operating time.
- Normal when refrigerator is first delivered to your home—usually requires 24 hours to completely cool down.
- Large amounts of food placed in refrigerator to be cooled or frozen.
- Hot weather—frequent door openings.
- Door left open.
- Temperature control set too cold.
- Condenser needs cleaning.
- Check ENERGY-SAVING TIPS.

## Motor starts & stops frequently

- Temperature control starts and stops motor to maintain even temperatures. This is normal.

## Vibration or rattling

- If refrigerator vibrates, more than likely it is not resting solidly on the floor. The front leveling legs need adjusting, or floor is weak or uneven.
- If dishes vibrate on shelves, try moving them. Slight vibration is normal.

## Operating sounds

- The high speed compressor motor required to maintain near zero temperatures in the large freezer compartment may produce higher sound levels than your old refrigerator.
- Normal fan air flow—one fan blows cold air through the refrigerator and freezer compartments—another fan cools the compressor motor.
- These NORMAL sounds will also be heard from time to time:
  - Defrost timer switch clicks at defrost.
  - Defrost water dripping.
  - Temperature control clicks ON or OFF
  - Refrigerant boiling or gurgling.
  - Cracking or popping of cooling coils caused by expansion and contraction during defrost and refrigeration following defrost.
  - Ice cubes dropping into the bin and water running in pipes as icemaker refills.

## Foods dry out

- Foods not covered, wrapped or sealed properly.

## Fresh food or freezer compartment temperature too warm

- Temperature control not set cold enough.
- Warm weather—frequent door openings.
- Door left open for long time.
- Package may be holding door open or blocking air duct in freezer compartment.

## Frost or ice crystals on frozen food

- Door may have been left ajar or package holding door open.
- Too frequent or too long door openings.
- Frost within package is normal.

## Automatic icemaker does not work (on models so equipped)

- Icemaker feeler arm in STOP (up) position.
- Water supply turned off or not connected.
- Freezer compartment too warm

## Cubes too small

- Water shutoff valve connecting refrigerator to home water line may be clogged.

## Slow ice cube freezing

- Door may have been left ajar.
- Turn temperature control to colder setting.

## Ice cubes have odor/taste

- Old cubes need to be discarded. Empty ice bin every 30 days
- Ice storage bin needs to be washed.
- Unsealed packages in refrigerator and/or freezer compartments may be transmitting odor/taste to ice cubes.
- Interior of refrigerator needs cleaning.

## Moisture forms on cabinet surface between the doors

- Not unusual during periods of high humidity. To help prevent rust, wipe surface dry and reset temperature control one setting colder.

## Moisture collects inside

- Too frequent or too long door openings
- In humid weather, air carries moisture into refrigerator when doors are opened.

## Refrigerator has odor

- Food with strong odors should be tightly covered.
- Check for spoiled food.
- Interior needs cleaning.
- Keep open box of baking soda in refrigerator; replace every three months.

## Interior light does not work

- No power at outlet.
- Light bulb needs replacing.

# Reversing Door Swing

Your refrigerator has reversible doors so the door opening can be changed to suit your particular needs. These instructions tell you how to change the hinges from the right side to the left side. If you ever want to change the hinges back to the right side, follow these same instructions—merely reverse all references to left and right.

- Read these instructions all the way through before you start.
- Handle parts carefully to avoid scratching paint.
- Set screws down by their related parts to avoid using them in the wrong places.
- Provide a non-scratching work surface for the doors.
- Caution: Do not let either door drop to the floor.

To do so could damage the door stop.

## Tools required

- T20 or T25 Torxdriver
- Masking tape
- 5/16" end wrench
- Putty knife or thin-bladed screwdriver (end of tool should be covered with tape to help prevent scratching paint)
- 5/16" hex-head socket screwdriver
- Phillips screwdriver

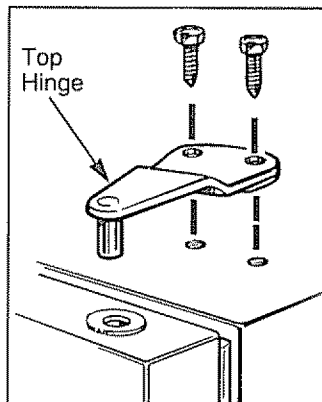
## Removing the doors

### Step 1—General

- (a) Unplug refrigerator from its electrical outlet.
- (b) Empty all door shelves, including handi-bin and butter bin.

### Step 2—Removing the freezer door

- (a) Tape door shut with masking tape.
- (b) Use a 5/16" hex-head socket screwdriver to remove 2 screws that hold the top hinge to the cabinet.
- (c) Lift hinge (and shim glued to it) straight up to free the hinge pin from the socket in the top of the door and set it aside, along with its screws.



- (d) Remove tape, tilt door away from cabinet and lift it to free its bottom socket from the hinge pin on the center hinge bracket.

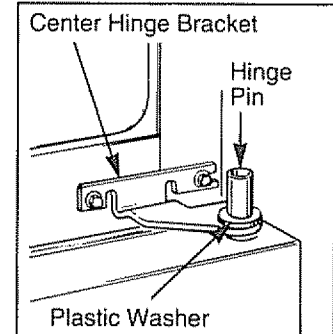
(If the plastic washer sticks to the door bottom, put it back on the hinge.)

- (e) Set door outside-up on a non-scratching surface.

- (f) Using a Torxdriver, transfer the two screws from the opposite side of the cabinet to the screw holes vacated by the top hinge removal.

### Step 3—Removing the fresh food door

- (a) Tape door shut with masking tape.
- (b) Use a 5/16" hex-head socket screwdriver and 5/16" end wrench to remove the two screws holding the center hinge (and shim glued to it) to the cabinet. Lift the center hinge to free its pin from the socket in the top of the door, and set hinge and screws aside.



- (c) Remove tape, tilt door away from cabinet, and lift it from the pin in the bottom hinge bracket.

(If the plastic washer sticks to the door bottom, put it back on the hinge.)

- (d) Set door outside-up on a non-scratching surface.

- (e) Using a Torxdriver, transfer the two screws from the opposite side of the cabinet to the screw holes vacated by the center hinge removal.

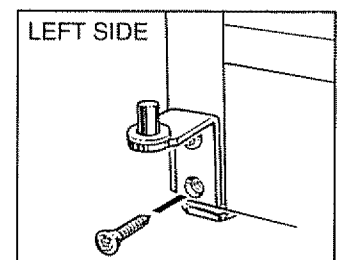
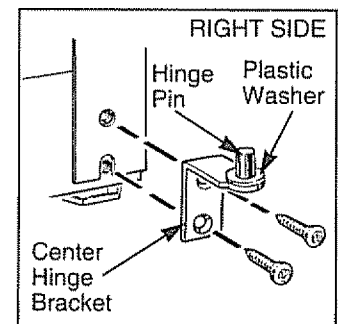
- (f) Take one of the screws removed in step (b) and start it in the outermost screw hole on the opposite side. Do not drive it all the way down—leave enough space under the screw head for thickness of shim and bracket.

## Transferring the bottom hinge

- (a) Remove the base grille if your refrigerator has one (see page 10). Grasp it at the bottom and pull it straight out.

- (b) Using a Torxdriver, remove the hinge (and shim glued to it) and plastic washer from the bottom right side of the cabinet.

- (c) Reinstall the hinge (and shim glued to it) and plastic washer to the bottom left side of the cabinet.



(continued next page)

# Reversing Door Swing (continued)

## Transferring the top hinge

Reinstall the top hinge (and shim glued to it) on the left front corner of the cabinet but do not tighten the screws at this time.

## Transferring door handles

(on models so equipped)

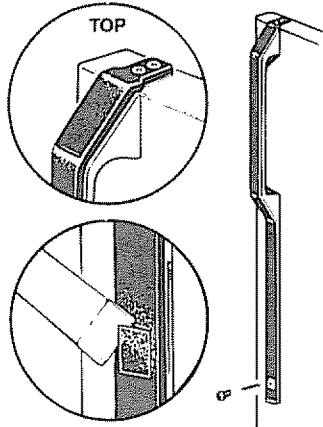
### Fresh food door

#### To remove the handle...

(a) Remove the handle plug using a tape-tipped putty knife under the edge, and remove the screw underneath.

(b) Remove two screws holding the handle to the top of the door.

(c) Remove the handle.

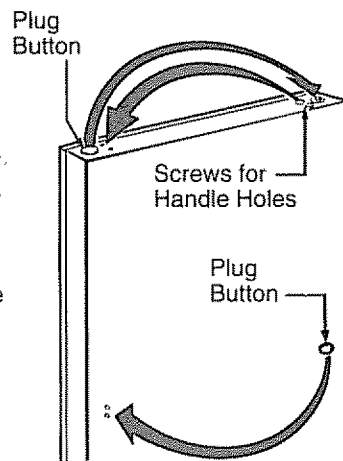


#### After removing the handle...

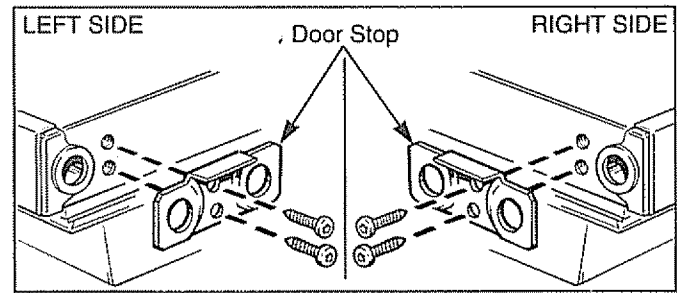
(a) Remove the screws from the right edge of the door top and insert them onto the handle screw holes on the opposite side.

(b) With tape-tipped putty knife or thin-blade screwdriver, pry out the plug button from the hinge hole on the left side of the door and insert it into the hole on the opposite side that was vacated by removal of the top hinge.

(c) Pull the plug button from the front of the door and transfer it to the opposite side.



#### (d) Transfer the door stop



- Move the metal door stop from the right side to the left side. Use a Torxdriver.
- Move any screws from the left side to the right side.

#### When reinstalling the fresh food door handle...

- Attach the handle to the right side of the door with screws at the top and under the handle plug.
- Reinstall the handle plug

### Freezer door

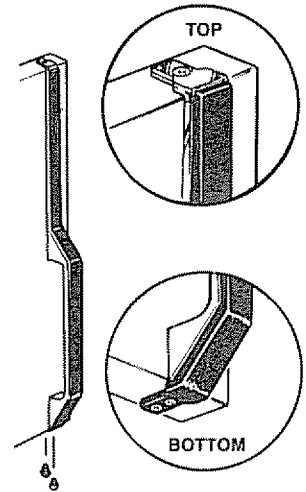
(a) Remove the screw holding the handle to the top of the door and the two screws holding the handle to the bottom of the door.

(b) Remove the handle.

(c) Remove the screw from the right top edge of the door and insert it into the handle screw hole on the left side

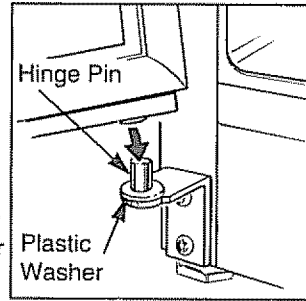
(d) Transfer the door stop as shown above.

(e) Attach the handle to the right edge of the door with screws at top and bottom, using bottom holes vacated by removal of the door stop screws.



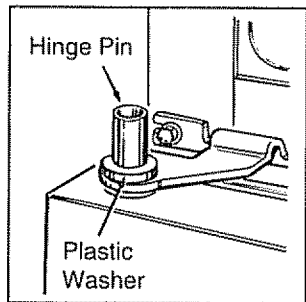
## Rehanging the fresh food door

(a) Lower the bottom socket of the fresh food door onto the pin on the bottom hinge. Be sure the washer is in place on the pin.



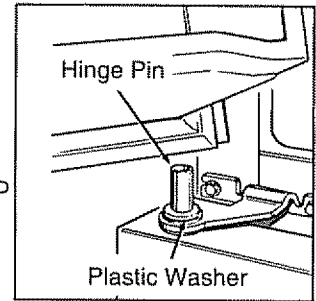
(b) Insert the pin on the center hinge into the socket in the top of the door. **NOTE:** The center hinge must be turned over as shown when mounted on the left side.

(c) Tilt the door toward the cabinet. As the door is brought into position, slide the hinge under the head of the screw which earlier had been partly driven into the outermost hole. Insert the remaining screw, then tighten both screws securely.



## Rehanging the freezer door

(a) Lower the bottom socket of the freezer door onto the center hinge pin. Be sure the washer is in place on the pin.



(b) Tilt the door toward the cabinet, lifting the top hinge so the pin fits into the socket on top of the door.

(c) Before tightening the top hinge screws, make sure the top of the door is level with the cabinet top and the space between the doors is equal across the entire front. Do not overtighten these screws—tighten them until they are just snug, then turn them in another one-half turn.

## Examining the door gaskets

Check the door gaskets all around, making sure no gaps are visible between the gaskets and the cabinet. If a gap shows, try stretching the gasket away from the door so the magnet in the gasket will contact the cabinet surface, being careful not to dislodge the gasket.

# SEARS

## FULL ONE YEAR WARRANTY ON REFRIGERATOR

For one year from date of purchase, when this refrigerator is operated and maintained according to instructions attached to or furnished with the product, Sears will repair this refrigerator, free of charge, if defective in material or workmanship.

## FULL FIVE-YEAR WARRANTY ON SEALED REFRIGERATION SYSTEM

For five years from date of purchase, when this refrigerator is operated and maintained according to owner's instructions attached to or furnished with the product, Sears will repair the sealed system (consisting of refrigerant, connecting tubing and compressor motor), free of charge, if defective in material or workmanship.

The above warranty coverage applies only to refrigerators which are used for storage of food for private household purposes.

WARRANTY SERVICE IS AVAILABLE BY CONTACTING THE  
NEAREST SEARS SERVICE CENTER/DEPARTMENT IN THE UNITED STATES.

This warranty applies only while this product is in use in the United States.

This warranty gives you specific legal rights,  
and you may also have other rights which may vary from state to state.

SEARS, ROEBUCK AND CO., Dept. 817WA, 3333 Beverly Rd., Hoffman Estates, IL 60179

## SEARS SERVICE IS AT YOUR SERVICE

Your Kenmore has added value when you consider that Sears has nationwide service units staffed by Sears-trained technicians...professional technicians specifically trained to service SEARS appliances, having the parts, tools and equipment to insure that we meet our pledge to you... "We Service What We Sell."  
FOR SERVICE CALL: 1-800-4-REPAIR

### ADD TO THE VALUE OF YOUR KENMORE, BUY A SEARS MAINTENANCE AGREEMENT

Sears Kenmore refrigerators are designed, built and tested for years of dependable use. Yet any modern appliance may need service from time to time. The Sears warranty plus the Sears maintenance agreement give protection from unexpected repair bills. Contact your salesperson or nearest service center for details.

SEARS, ROEBUCK AND CO., Dept. 702PS0, 3333 Beverly Rd., Hoffman Estates, IL 60179

*This book is printed on recycled paper.*

Part No. SR6152

Printed in U.S.A.  
162D3814P009

64421 64658  
64428 64851  
64451 64858  
64458 68421  
64651 68428