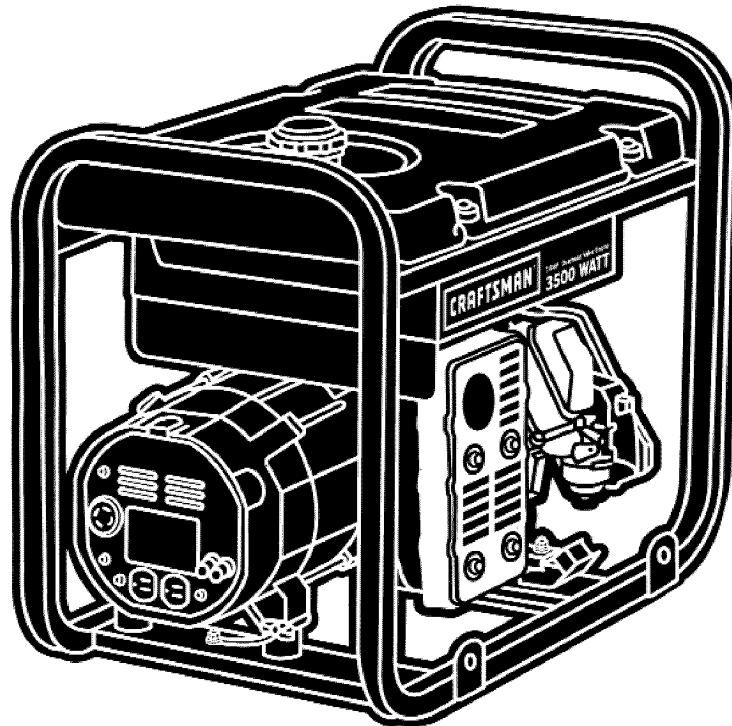


Operators Manual



3500 Watt AC Generator

Model No.
580.327130



HOURS: Mon. - Fri. 8 a.m. to 5 p.m. (CT)

CAUTION:
Before using this product, read this manual and follow all its Safety Rules and Operating Instructions.

Sears, Roebuck and Co., Hoffman Estates, IL 60179

Visit our Craftsman website: www.sears.com/craftsman

Part No. B2541 Draft 4 (03/28/2000)

- Safety
- Assembly
- Operation
- Maintenance
- Parts
- Español

TABLE OF CONTENTS

WARRANTY	2	TROUBLESHOOTING	13
SAFETY RULES	3	SCHEMATIC DIAGRAM	14
ASSEMBLY	4	WIRING DIAGRAM	15
OPERATION	4-7	REPLACEMENT PARTS	16-21
MAINTENANCE	8-11	EMISSION CONTROL WARRANTY	22-23
SPECIFICATIONS	8	ESPAÑOL	24-39
STORAGE	12	HOW TO ORDER PARTS	BACK PAGE

WARRANTY

LIMITED WARRANTY FOR DELUXE PORTABLE GENERATORS

SEARS warrants to the original purchaser that the alternator and engine for its portable generator will be free from defects in materials or workmanship for the items and period set forth below from the date of original purchase. This warranty is not transferable and applies only to portable generators driven by the Sears warranted engine.

	CONSUMER*	COMMERCIAL*
Alternator	2 years (2nd year parts only)	1 year
Engine	2 years (2nd year parts only)	1 year

* **NOTE:** For the purpose of this warranty "Consumer Use" means personal residential household and emergency use by original purchaser, not to be used as a primary source of power. "Commercial Use" means all other uses, including rental, construction, commercial, and income producing purposes. Once a generator has experienced commercial use, it shall thereafter be considered a commercial use generator for the purpose of this warranty.

During said warranty period, SEARS will, at its option, repair or replace any part which, upon examination by SEARS, is found to be defective under normal use and service**. Starting batteries are not warranted by SEARS. All transportation costs under warranty, including return to the factory if necessary, are to be borne by the purchaser and prepaid by him. This warranty does not cover normal maintenance and service and does not apply to a generator set, alternator or engine, or parts which have been subjected to improper or unauthorized installation or alteration, misuse, negligence, accident, overloading, overspeeding, improper maintenance, repair or storage so as, in SEARS's judgment, to adversely affect its performance and reliability.

** **NORMAL WEAR:** As with all mechanical devices, engines need periodic parts service and replacement to perform well. This warranty will not cover repair when normal use has exhausted the life of a part or engine.

THERE IS NO OTHER EXPRESS WARRANTY. SEARS HEREBY DISCLAIMS ANY AND ALL IMPLIED WARRANTIES, INCLUDING BUT NOT LIMITED TO THOSE OF MERCHANTABILITY AND FITNESS FOR A PARTICULAR PURPOSE TO THE EXTENT PERMITTED BY LAW. THE DURATION OF ANY IMPLIED WARRANTIES WHICH CANNOT BE DISCLAIMED IS LIMITED TO THE TIME PERIOD AS SPECIFIED IN THE EXPRESS WARRANTY. LIABILITY FOR CONSEQUENTIAL, INCIDENTAL, OR SPECIAL DAMAGES UNDER ANY AND ALL WARRANTIES IS EXCLUDED.

Some states do not allow limitations on how long an implied warranty lasts, or the exclusion or limitation of incidental or consequential damages, so the above limitations or exclusions may not apply to you. This warranty gives you specific legal rights and you may also have other rights, which vary from state to state.

For service, see your nearest SEARS authorized warranty service facility. Warranty service can be performed only by a SEARS authorized service facility. This warranty will not apply to service at any other facility. At the time of requesting warranty service, evidence of original purchase date must be presented.

SEARS, ROEBUCK AND CO., Hoffman Estates, IL 60179 U.S.A



SAFETY RULES



WARNING:



The engine exhaust from this product contains chemicals known to the State of California to cause cancer, birth defects, or other reproductive harm.



CAUTION: Always disconnect spark plug wire and place the wire where it cannot contact the spark plug to prevent accidental starting when setting up, transporting, adjusting or making repairs to your generator.



DANGER: This generator is designed for outdoor use only. **Do Not** use this generator inside any building or enclosure, including the generator compartment of a recreational vehicle (RV). Fire or an explosion may result. No user performed modifications, including venting of exhaust and/or cooling ventilation, will eliminate the danger. Allow at least two feet of clearance on all sides of the generator while operating the unit.



CAUTION: Before using this product, read this manual and follow all Safety Rules and Operating Instructions.

- The generator produces dangerously high voltage that can cause extremely hazardous electrical shock. Avoid contact with bare wires, terminals, etc. Never permit an unqualified person to operate or service the generator.
- Never handle any kind of electrical cord or device while standing in water, while barefoot or while hands or feet are wet. Dangerous electrical shock will result.
- The National Electric Code requires the frame and external electrically conductive parts of generator be properly connected to an approved earth ground. Local electrical codes may also require proper grounding of the generator. Consult with a local electrician for grounding requirements in your area.
- **Do Not** use worn, bare, frayed or otherwise damaged electrical cord sets with the generator. Using any defective cord set may result in electrical shock or damage to equipment and/or property.
- Operate generator only on level surfaces and where it will not be exposed to excessive moisture, dirt, dust or corrosive vapors.

- Never add fuel while unit is running.
- Allow at least 2 feet of clearance on all sides of generator while operating unit or damage could result. Read "Cold Weather Operation" on page 7.
- Gasoline is highly FLAMMABLE and its vapors are EXPLOSIVE. **Do Not** permit smoking, open flames, sparks or heat in the vicinity while handling gasoline. Avoid spilling gasoline on a hot engine. Comply with all laws regulating storage and handling of gasoline.
- **Do Not** overfill the fuel tank. Always allow room for fuel expansion. If tank is overfilled, fuel can overflow onto a hot engine and cause FIRE or an EXPLOSION.
- Never store generator with fuel in tank where gasoline vapors might reach an open flame or spark (as on a furnace, water heater or clothes dryer). FIRE or an EXPLOSION might result.
- Generator exhaust gases contain DEADLY carbon monoxide gas. This dangerous gas, if breathed in sufficient concentrations, can cause unconsciousness or even death. Operate this equipment only in the open air where adequate ventilation is available.
- The unit requires an adequate flow of cooling air for its continued proper operation. Never operate the unit inside any room or enclosure where the free flow of cooling air into and out of the unit might be obstructed. Without sufficient cooling air flow, the unit quickly overheats, damaging the generator or nearby property.
- Never start or stop the unit with electrical loads connected to receptacles AND with the connected devices turned ON. Start the engine and let it stabilize before connecting electrical loads. Disconnect all electrical loads before shutting down the generator.
- **Never operate generator:** in rain; in any enclosed compartment; when connected electrical devices overheat; if electrical output is lost; if engine or generator sparks; if flames or smoke are observed while unit is running; if unit vibrates excessively.

NOTE: Your generator is equipped with a spark arrestor muffler, the spark arrestor must be maintained in effective working order by the owner/operator.

In the State of California a spark arrestor is required by law (Section 4442 of the California Public Resources Code). Other states may have similar laws. Federal laws apply on federal lands.



THIS IS THE SAFETY ALERT SYMBOL. IT IS USED TO ALERT YOU TO POTENTIAL PERSONAL INJURY HAZARDS. OBEY ALL SAFETY MESSAGES THAT FOLLOW THIS SYMBOL TO AVOID POSSIBLE INJURY OR DEATH.

ASSEMBLY

CARTON CONTENTS

- Main unit
- Owner's manual
- Engine oil

Check all contents. If any parts are missing or damaged, call the generator helpline at 1-800-222-3136.

TO REMOVE GENERATOR FROM CARTON

- Slice two corners at end of carton from top to bottom so the panel can be folded down flat, then remove all packing material.
- Read "Cold Weather Operation" on page 7.
- Remove the generator from the shipping carton.

OPERATION

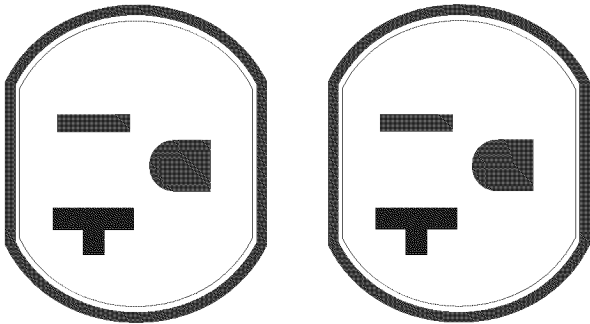
CORD SETS AND RECEPTACLES

Use only high quality, well-insulated, extension cords with the generator's electrical receptacles. Check the ratings of all extension cords before you use them. Extension cords should be rated for 125 Volt AC loads at 20 Amps or greater for most electrical devices. Some devices, however, may not require this type of extension cord. Check the owner's manuals of those devices for the manufacturer's recommendations.

Keep extension cords as short as possible, preferably less than 15 feet, to prevent voltage drop and possible overheating of wires.

120 Volt AC, 20 Amp Receptacles

Each receptacle of this pair is protected against overload by a single 20 Amp push-to-reset type of circuit breaker.

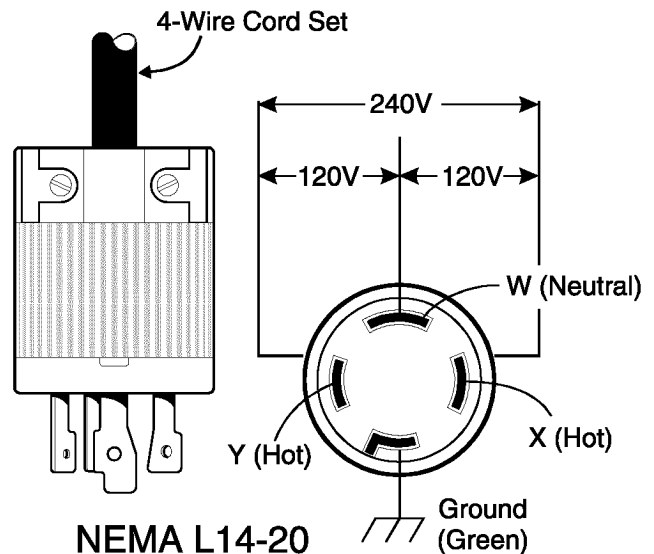


Use each receptacle to operate 120 Volt AC, single phase, 60 Hz electrical loads requiring up to 3,500 watts (3.5 kW) at 20 Amps of current.

CAUTION! Although each receptacle socket is rated for 120 Volt AC loads at 20 Amps (2,400 watts or 2.4 kW), this generator is rated for a total output of 3,500 watts. Powering loads that exceed the generator's wattage capacity can damage it or cause serious injuries. The total number of 120 Volt loads powered through these receptacles should not exceed 20 Amps.

120/240 Volt AC, 20 Amp Receptacle

This is a full capacity receptacle, which means you can take the generator's full rated wattage from this single receptacle. The outlet is protected by a 20 Amp push-to-reset circuit breaker.



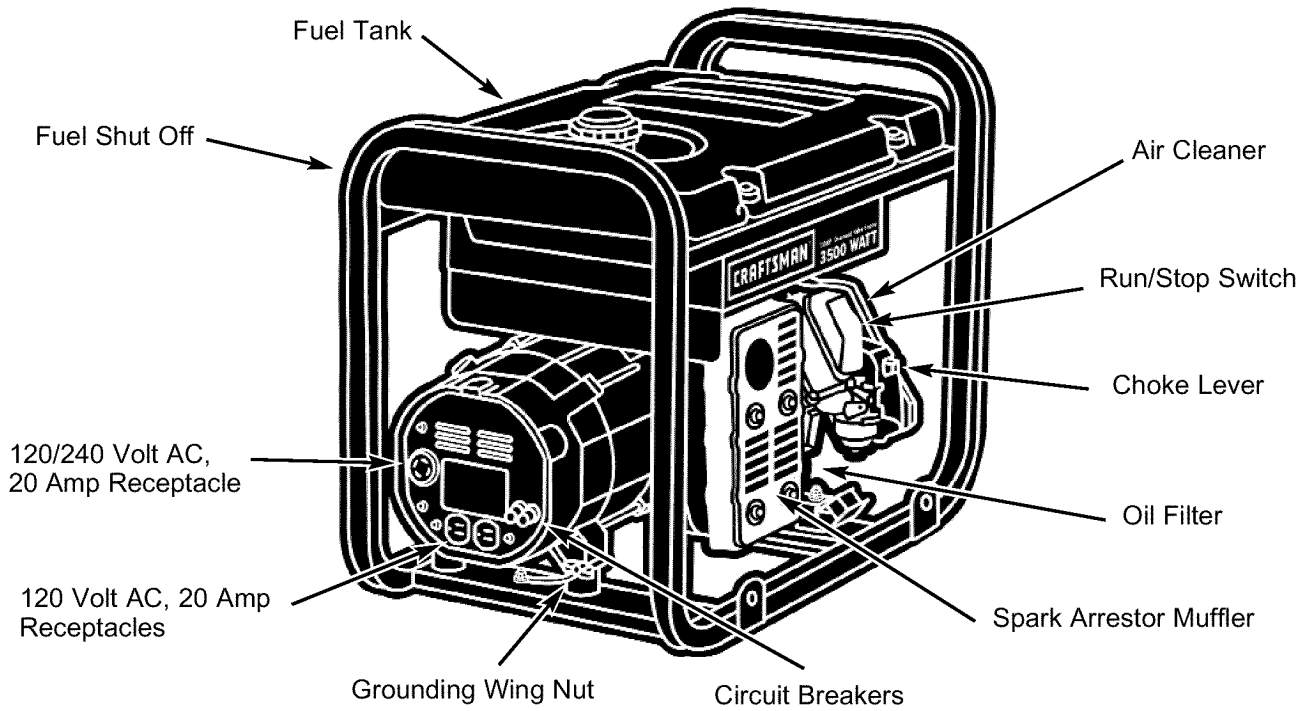
As shown above, connect a suitable 4-wire cord set to a NEMA L14-20 plug and to the desired load. The cord set should be rated for 250 Volt AC loads at 20 Amps (or greater).

CAUTION! Although this receptacle is rated for 240 Volt AC loads at 20 Amps (4,800 watts or 4.8 kW), this generator is rated for a total output of 3,500 watts. Powering loads that exceed the generator's wattage capacity can damage it or cause serious injuries. The total number of 240 Volt loads powered through this receptacle should not exceed 20 Amps.

KNOW YOUR GENERATOR

Read the owner's manual and safety rules before operating your generator.

Compare the illustrations with your Generator to familiarize yourself with the locations of various controls and adjustments. Save this manual for future reference.



120 Volt AC, 20 AC Amp Receptacles — May be used to supply electrical power for the operation of 120 Volt AC, 20 Amp, single phase, 60 Hz electrical lighting, appliance, tool and motor loads.

120/240 Volt AC, 20 Amp Receptacle — May be used to supply electrical power for the operation of 120 and/or 240 Volt AC, 20 Amp, single phase, 60 Hz electrical lighting, appliance, tool and motor loads.

Air Cleaner — Filters air as it is drawn into the engine carburetor.

Choke Lever — Used when starting a cold engine.

Circuit Breakers — Each receptacle is provided with a “push to reset” circuit breaker to protect the generator and any connected tools or appliances against electrical overload.

Fuel Shut Off — Make sure fuel shut off is open before starting engine. Close when engine is shut off

Fuel Tank — Tank holds 4 U.S. gallons of unleaded gasoline.

Grounding Wing Nut — Provides a convenient tie point for connecting generator to earth ground.

Oil Filter — Filters engine oil for longer engine life.

Run/Stop Switch — Set this switch to “Run” before to set in starting mode. Set the switch to “Stop” to shut off a running engine. Located on the engine block.

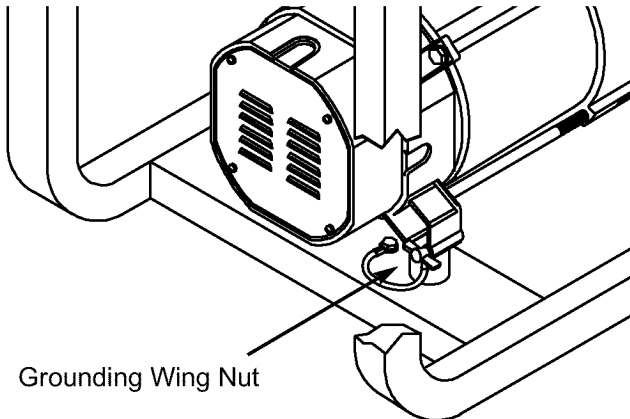
Spark Arrestor Muffler — Exhaust muffler lowers engine noise and is equipped with a spark arrestor screen.

HOW TO USE YOUR GENERATOR

If you have any problems operating your generator, please call the generator helpline at **1-800-222-3136**.

Grounding the Generator

The National Electrical Code requires that the frame and external electrically conductive parts of this generator be properly connected to an approved earth ground. Local electrical codes may also require proper grounding of the unit. For that purpose, a grounding wing nut is provided on the base of the cradle (note: typical unit shown may not look like your unit).



Generally, connecting a No. 12 AWG (American Wire Gauge) stranded copper wire to the grounding wing nut and to an earth-driven copper or brass grounding rod (electrode) provides adequate protection against electrical shock. However, local codes may vary widely. Consult with a local electrician for grounding requirements in your area.

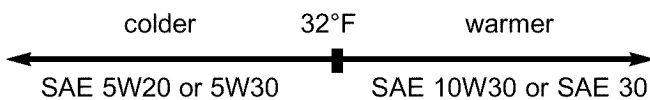
Proper grounding of generator will help prevent electrical shock in the event of a ground fault condition in the generator or in connected electrical devices. Proper grounding also helps dissipate static electricity, which often builds up in ungrounded devices.

BEFORE STARTING THE GENERATOR

To operate the engine you must do the following:

Add Engine Oil

NOTE: When adding oil to the engine crankcase in the future, use only high quality detergent oil rated with API service classification SF or SG or higher. Use no special additives. Select the oil's viscosity grade according to your expected operating temperature:



Although multi-viscosity oils (5W30, 10W30, etc.) improve starting in cold weather, this type oil will result in increased oil consumption when used above 32°F. Check your engine oil level more frequently to avoid possible damage from running low on oil.

- Place unit on a level surface.
- Clean area around oil fill and remove oil dipstick.
- Wipe dipstick clean.
- Pour oil into oil fill opening until oil reaches FULL mark on the dipstick. **Do Not overfill!**

Add Gasoline

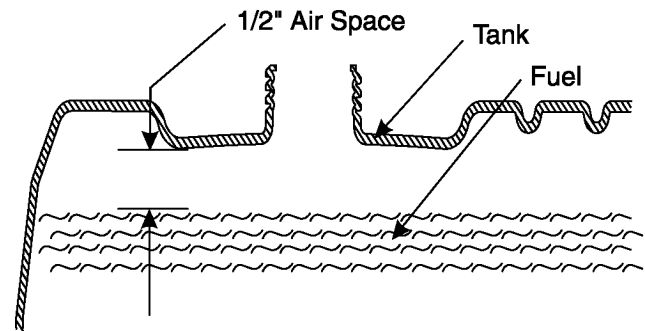


WARNING NEVER fill fuel tank indoors. NEVER fill fuel tank when engine is running or hot. **Do Not** light a cigarette or smoke when filling the fuel tank.



CAUTION: Do Not overfill the fuel tank. Always leave room for expansion.

- Use regular UNLEADED gasoline with the generator engine. **Do Not** use premium gasoline. **Do Not** mix oil with gasoline.
- Clean area around fuel fill cap, remove cap.
- Slowly add unleaded regular gasoline to fuel tank. Be careful not to overfill. Allow about 1/2" of tank space between bottom of fill opening and top of fuel for fuel expansion, as shown here.



- Install fuel cap and wipe up any spilled gasoline.
- IMPORTANT:** It is important to prevent gum deposits from forming in essential fuel system parts such as the carburetor, fuel filter, fuel hose or tank during storage. Also, experience indicates that alcohol-blended fuels (called gasohol, ethanol or methanol) can attract moisture, which leads to separation and formation of acids during storage. Acidic gas can damage the fuel system of an engine while in storage. To avoid engine problems, the fuel system should be emptied before storage of 30 days or longer. See "Storage" on page 12. Never use engine or carburetor cleaner products in the fuel tank or permanent damage may occur.

TO START THE ENGINE

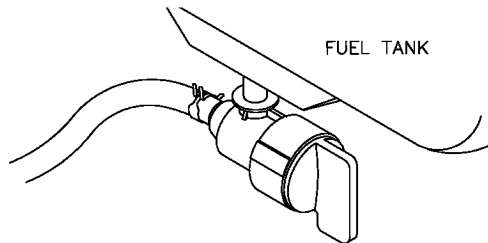


CAUTION! NEVER run engine indoors or in enclosed poorly ventilated areas. Engine exhaust contains carbon monoxide, an odorless and deadly gas.

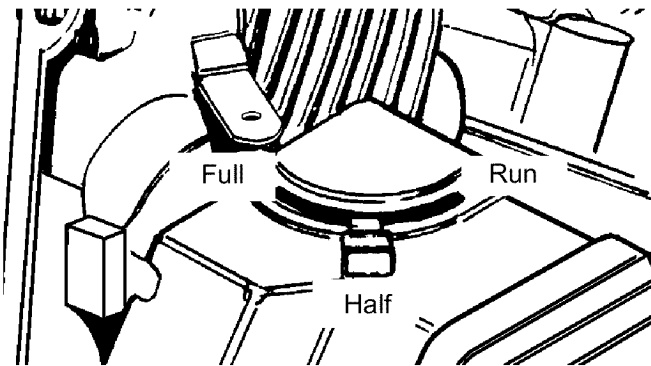


WARNING! temperature of muffler and nearby areas may exceed 150°F (65°C). Avoid these areas.

- Unplug all electrical loads from generator receptacles before starting the engine. Never start or stop engine with electrical devices plugged into the panel receptacles and turned on.
- Open the fuel valve (shown here in “Open” position).



- Place the Run/Stop switch in the “Run” position.
- Move engine choke lever to “Full” position.



- Grasp starter grip and pull slowly until you feel some resistance. Then pull cord out with rapid full arm stroke. Let rope return slowly. **Do Not** let rope “snap back” against engine.
- When engine starts, move choke lever to “Half” position until the engine runs smoothly and then to “Run” position. If engine falters, move choke lever to “Half” position until the engine runs smoothly and then to “Run” position.

NOTE: If engine fails to start after 3 pulls, move the choke lever to “Run” position and pull starter rope again.

NOTE: If engine still fails to start after 3 pulls, check for proper oil level in crankcase. This unit is equipped with a Low Oil Shutdown System (see page 8).

NOTE: If engine fires but does not continue to run, move choke lever to “Full” position and repeat starting instructions.

TO STOP THE ENGINE

- Unplug **all** electrical loads from generator panel receptacles. **Never** start or stop engine with electrical devices plugged in AND turned on.

- Let engine run at no-load for several minutes to stabilize the internal temperatures of engine and generator.
- Move Run/Stop switch to “Stop” position.

COLD WEATHER OPERATION

Under certain weather conditions (temperatures below 40°F [4°C] and a high dew point), your generator may experience icing of the carburetor and/or the crankcase breather system.

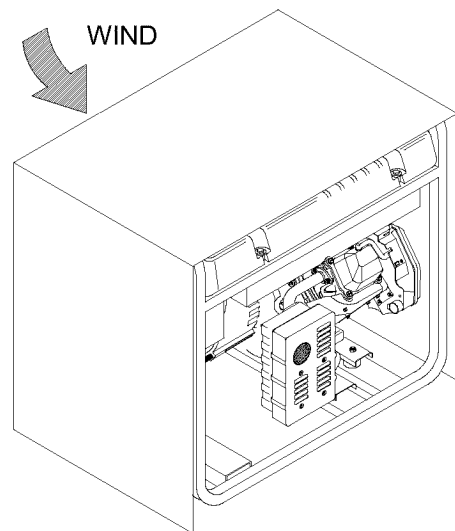
In an emergency, use the original shipping box as a temporary shelter:

- Cut off all flaps.
- Cut out one of the long sides of the box to expose exhaust side of unit. Ensure a minimum of two feet clearance between open side of box and nearest object.
- Cut appropriate slots to access receptacles and clear handles.
- Start unit, then place box over it.

IMPORTANT!: Remove shelter when temperature is above 40°F [4°C].

For a more permanent shelter, build a structure that will enclose three sides and the top of the generator:

- Make sure entire muffler-side of generator is exposed. Note that your generator may appear different from that shown here.



- Ensure a minimum of two feet clearance between open side of box and nearest object.
- Face exposed end away from wind and elements.
- Enclosure should hold enough heat created by the generator to prevent icing.



CAUTION: NEVER run unit indoors; **Do Not** enclose generator any more than shown. Remove shelter when temperatures are above 40°F [4°C].

LOW OIL PRESSURE SHUTDOWN SYSTEM

The engine is equipped with a low oil pressure sensor that shuts down the engine automatically when the oil pressure drops below 6 psi. If the engine shuts down by itself and the fuel tank has enough gasoline, check engine oil level.

Initial Start-up

A delay built in the low oil shutdown system allows oil pressure to build during starting. The delay allows the engine to run for about 10 seconds before sensing oil pressure.

Sensing Low Pressure

If the system senses low oil pressure during operation, the engine shuts down. As the system shuts down, the low oil light comes ON. However, once the engine has stopped rotating, this light will go OFF.

Restarting

If you try to restart the engine within 10 seconds after it shuts down, the engine may NOT start. The system needs 5 to 10 seconds to reset.

If you do restart the engine after such a shutdown and have not corrected the low oil pressure, the engine runs for about 10 seconds as described above and then stops.

DON'T OVERLOAD THE GENERATOR

Overloading a generator in excess of its rated wattage capacity can result in damage to the generator and to connected electrical devices. Observe the following, to prevent overloading the unit:

- Add up the total wattage of all electrical devices to be connected at one time. This total should NOT be greater than the generator's wattage capacity.
- The rated wattage of lights can be taken from light bulbs. The rated wattage of tools, appliances and motors can usually be found on a data plate or decal affixed to the device.
- If the appliance, tool or motor does not give wattage, multiply volts times ampere rating to determine watts (volts x amps = watts).
- Some electric motors, such as induction types, require about three times more watts of power for starting than for running. This surge of power lasts only a few seconds when starting such motors. Make sure you allow for this high starting wattage when selecting electrical devices to connect to your generator. First, figure the watts needed to start the largest motor. Add to that figure the running watts of all other connected loads.

The Wattage Reference Guide below is provided to assist you in determining how many items your generator can operate at one time.

WATTAGE REFERENCE GUIDE

Electrical Device	Running Watts
*Air Conditioner (12,000 Btu)	1700
*Air Conditioner (24,000 Btu)	3800
*Air Conditioner (40,000 Btu)	6000
Battery Charger (20 Amp)	500
Belt Sander (3")	1000
Chain Saw	1200
Circular Saw (6-1/2")	800 to 1000
*Clothes Dryer (Electric)	5750
*Clothes Dryer (Gas)	700
*Clothes Washer	1150
Coffee Maker	1750
*Compressor (1 HP)	2000
*Compressor (3/4 HP)	1800
*Compressor (1/2 HP)	1400
Curling Iron	700
*Freezer	700
*Dehumidifier	650
Disc Sander (9")	1200
Edge Trimmer	500
Electric Blanket	400
Electric Nail Gun	1200
Electric Range (per element)	1500
Electric Skillet	1250

Electrical Device	Running Watts
*Furnace Fan (3/5 HP)	875
*Garage Door Opener	500 to 750
Hair Dryer	1200
Hand Drill	250 to 1100
Hedge Trimmer	450
Impact Wrench	500
Iron	1200
*Jet Pump	800
Lawn Mower	1200
Light Bulb	100
Microwave Oven	700 to 1000
*Milk Cooler	1100
Oil Burner on Furnace	300
Oil Fired Space Heater (140,000 Btu)	400
*Submersible Pump (1-1/2 HP)	2800
*Submersible Pump (1 HP)	2000
*Submersible Pump (1/2 HP)	1500
*Sump Pump	800 to 1050
*Table Saw (10")	1750 to 2000
Television	200 to 500
Toaster	1000 to 1650
Weed Trimmer	500

* Allow 3 times the listed watts for starting these devices.

- A vacuum cleaner may be used to pick up loose dirt and debris.
- Low pressure air (not to exceed 25 psi) may be used to blow away dirt. Inspect cooling air slots and openings on the generator. These openings must be kept clean and unobstructed.

ENGINE MAINTENANCE



DANGER: When working on the generator, always disconnect spark plug wire from spark plug and keep it away from spark plug.

Checking Oil Level

Oil level should be checked prior to each use or at least every 8 hours of operation. Keep oil level maintained.

Changing Engine Oil and Oil Filter

Change oil after first 8 hours of operation. Change oil every 50 hours thereafter. If you are using your generator under extremely dirty or dusty conditions, or in extremely hot weather, change oil more often.

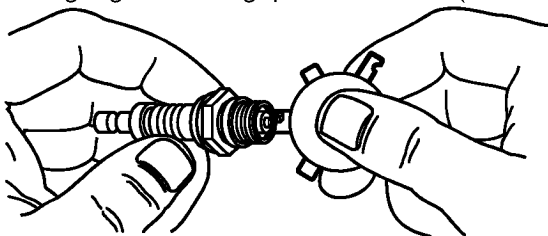
Change oil while engine is still warm from running, as follows:

- Clean area around oil drain plug.
- Remove oil drain plug and oil fill plug and drain oil completely into a suitable container.
- When oil has completely drained, install oil drain plug and tighten securely.
- Place a suitable container beneath the oil filter and turn filter counterclockwise to remove. Discard according to local regulations.
- Coat gasket of new filter (p/n 70185) with engine oil. Turn filter clockwise until gasket snugs against the filter adapter. Then tighten filter an additional 3/4 turn.
- Fill oil sump with recommended oil (see page 6).
- Install the oil fill plug and tighten securely.

Clean/Replace Spark Plug

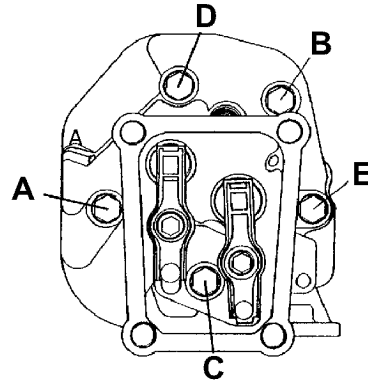
Change the spark plug every 100 hours of operation or once each year, whichever comes first. This will help your engine to start easier and run better. Replace with recommended spark plug, as follows.

- Clean area around spark plug, then remove and inspect it. Replace spark plug if electrodes are pitted, burned or porcelain is cracked.
- Check new spark plug electrode gap with wire feeler gauge and set gap to 0.030 inch (0.76mm).



Retorque Head Bolts

After 50 hours of operation, retorque the head bolts for this engine to 3.1 kg/m (22 foot-pounds). The torque sequence is A, B, C, D, E (star pattern).



IMPORTANT: If you feel uncomfortable about doing this procedure or you don't have the proper tools, please take your generator in to the nearest Sears service center to have the head bolts retorqued. This is a very important step to insure the longest life for your engine.

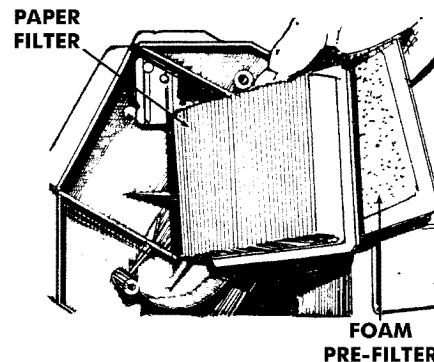
Service Air Cleaner

Your engine will not run properly and may be damaged if you run it using a dirty air cleaner.

Clean or replace the air cleaner paper filter once every 25 hours of operation or once a year, whichever comes first. Clean or replace more often if operating under dusty or dirty conditions. Clean foam pre-cleaner every 25 hours of operation or sooner under dusty conditions.

To clean or replace foam pre-cleaner:

- Remove air cleaner cover, then foam pre-filter.



- Wash pre-cleaner in soapy water. Squeeze pre-filter dry in clean cloth (DO NOT TWIST).
- Clean air cleaner cover before installing it.

To clean or replace paper air filter:

- Remove air cleaner cover; then remove foam pre-filter (service if necessary) and remove paper filter.
- Clean paper filter by tapping it gently on a solid surface. If the filter is too dirty, replace it with a new one. Dispose of the old filter properly.

- Clean air cleaner cover then insert pre-cleaner into cover. Next insert new paper filter into cover to hold pre-cleaner in place and assemble all of them to the base of the air cleaner.

NOTE: If you need to order a new air filter, please call **1-800-366-PART**.

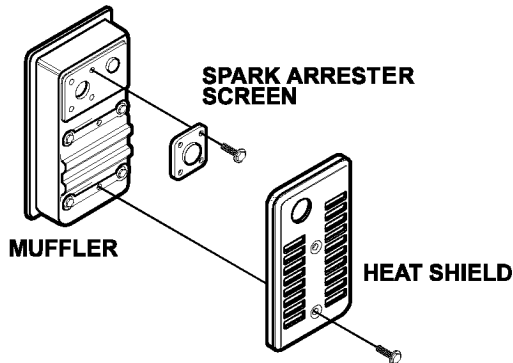
Clean Spark Arrestor Screen

The engine exhaust muffler has a spark arrestor screen. Inspect and clean the screen every 100 hours of operation or once each year, whichever comes first.

NOTE: If you use your generator on any forest-covered, brush-covered or grass-covered unimproved land, it must have a spark arrestor. The spark arrestor must be maintained in good condition by the owner/operator.

Clean and inspect the spark arrestor as follows:

- To remove the muffler guard from the muffler, remove the four screws that connect the guard to the muffler bracket.



- Remove four screws that attach the spark arrestor screen.
- Inspect screen and replace if torn, perforated or otherwise damaged. **Do Not** use a defective screen. If screen is not damaged, clean it with commercial solvent.
- Reattach the screen and the muffler guard.

Adjusting Valve Clearance

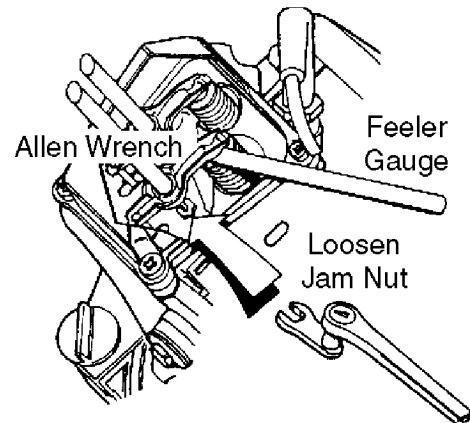
After the first 50 hours of operation, you should adjust the valve clearance in the engine.

IMPORTANT: If you feel uncomfortable about doing this procedure or you don't have the proper tools, please take your generator in to the nearest Sears service center to have the valve clearance adjusted. This is a very important step to insure the longest life for your engine.

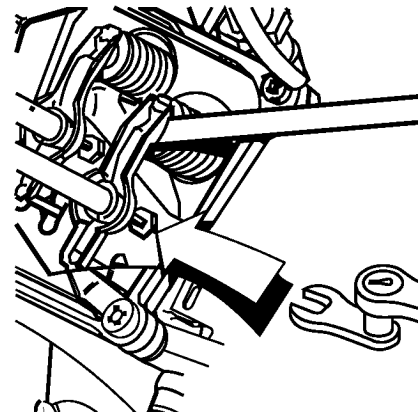
To adjust valve clearance:

- Make sure the engine is at room temperature.
- Make sure that the spark plug wire is removed from the spark plug and out of the way.
- Remove the breather tube from the valve cover.

- Remove the four screws attaching the valve cover with a #2 or #3 phillips screwdriver.
- Make sure the piston is at Top Dead Center (TDC) of its compression stroke (both valves closed). To get the piston to TDC, pull on the recoil handle slowly while watching the piston through the spark plug hole. As you pull on the recoil handle, the piston should move up and down. The piston is at TDC when it is up as high as it can go.
- Loosen the rocker arm jam nut. Use an 8 mm allen wrench to turn the pivot ball stud while checking clearance between the rocker arm and the valve stem with a feeler gauge. Correct clearance is 0.002-0.004 inch (0.05-0.1mm). **NOTE:** You must hold the rocker arm jam nut in place as you turn the pivot ball stud.



- When valve clearance is correct, hold the pivot ball stud in place with the allen wrench and tighten the rocker arm jam nut to 65-85 inch-pounds torque. After tightening the jam nut, recheck valve clearance to make sure it did not change.



- Reattach the valve cover. Start all four screws before tightening or you will not be able to get all the screws in place. Make sure the gasket between the valve cover and cylinder head is in place.
- Reattach the breather tube.
- Reattach the spark plug wire to the spark plug.

STORAGE

GENERAL

The generator should be started at least once every seven days and allowed to run at least 30 minutes. If this cannot be done and you must store the unit for more than 30 days, use the following information as a guide to prepare it for storage.

Long Term Storage Instructions



WARNING: NEVER store engine with fuel in tank indoors or in enclosed, poorly ventilated areas where fumes may reach an open flame, spark or pilot light as on a furnace, water heater, clothes dryer or other gas appliance.

It is important to prevent gum deposits from forming in essential fuel system parts, such as the carburetor, fuel filter, fuel hose or tank during storage. Also, experience indicates that alcohol-blended fuels (called gasohol, ethanol or methanol) can attract moisture, which leads to separation and formation of acids during storage. Acidic gas can damage the fuel system of an engine while in storage.

To avoid engine problems, the fuel system should be emptied before storage of 30 days or longer. Follow these instructions:



WARNING: Drain fuel into approved container outdoors, away from open flame. Be sure engine is cool. **Do Not** smoke.

Protect Fuel System

- Remove all gasoline from the fuel tank to prevent gum deposits from forming on these parts and causing possible malfunction of engine.
- Run engine until engine stops from lack of fuel.

Engine

Change Oil

While engine is still warm, drain oil from crankcase. Refill with recommended grade.

Oil Cylinder Bore



CAUTION! Avoid spray from spark plug hole when cranking engine slowly.

- Remove spark plug and pour about 1/2 ounce (15ml) of engine oil into the cylinder. Cover spark plug hole with rag. Crank slowly to distribute oil.
- Install spark plug. **Do Not** connect spark plug wire.

Generator

- Clean the generator as outlined on page 9 ("Clean the Generator").
- Check that cooling air slots and openings on generator are open and unobstructed.

Other Storage Tips:

- **Do Not** store gasoline from one season to another.
- Replace your gasoline can if it starts to rust. Contaminated gasoline will cause engine problems.
- If possible, store your unit indoors and cover it to give protection from dust and dirt. **BE SURE TO EMPTY THE FUEL TANK.**
- Cover your unit with a suitable protective cover that does not retain moisture.



DANGER: NEVER cover your generator while engine and exhaust area are warm.

- Store generator in clean, dry area.

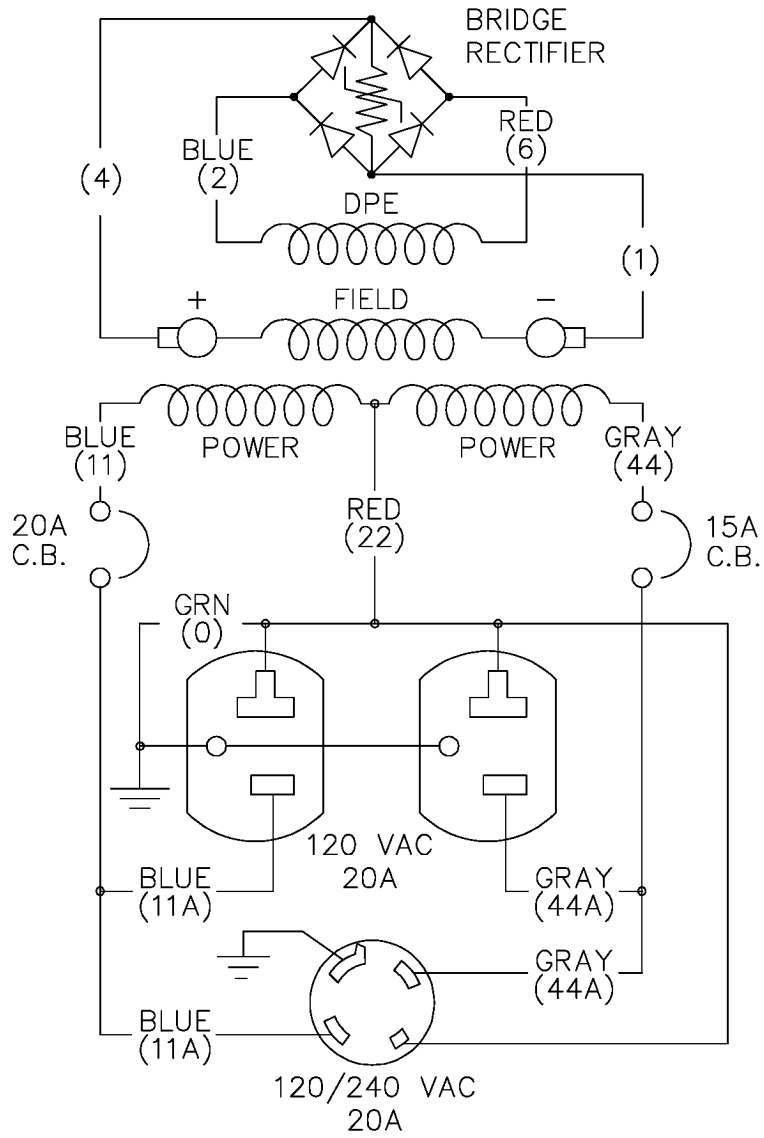
TROUBLESHOOTING

PROBLEM	CAUSE	CORRECTION
Engine is running, but no AC output is available.	<ol style="list-style-type: none"> 1. One of the circuit breakers is open. 2. Fault in generator. 3. Poor connection or defective cord set. 4. Connected device is bad. 	<ol style="list-style-type: none"> 1. Reset circuit breaker. 2. Contact Sears service facility. 3. Check and repair. 4. Connect another device that is in good condition.
Engine runs good at no-load but "bogs down" when loads are connected.	<ol style="list-style-type: none"> 1. Short circuit in a connected load. 2. Engine speed is too slow. 3. Generator is overloaded. 4. Shorted generator circuit. 	<ol style="list-style-type: none"> 1. Disconnect shorted electrical load. 2. Contact Sears service facility. 3. See "Don't Overload the Generator", page 8. 4. Contact Sears service facility.
Engine will not start; or starts and runs rough.	<ol style="list-style-type: none"> 1. Run/Stop Switch set to "Stop". 2. Dirty air cleaner. 3. Out of gasoline. 4. Stale gasoline. 5. Spark plug wire not connected to spark plug. 6. Bad spark plug. 7. Water in gasoline. 8. Overchoking. 9. Low oil level. 10. Excessively rich fuel mixture. 11. Intake valve stuck open or closed. 12. Engine has lost compression. 	<ol style="list-style-type: none"> 1. Set switch to "Run". 2. Clean or replace air cleaner. 3. Fill fuel tank. 4. Drain gas tank; fill with fresh fuel. 5. Connect wire to spark plug. 6. Replace spark plug. 7. Drain gas tank; fill with fresh fuel. 8. Open choke fully and crank engine. 9. Fill crankcase to proper level. 10. Contact Sears service facility. 11. Contact Sears service facility. 12. Contact Sears service facility.
Engine shuts down during operation.	<ol style="list-style-type: none"> 1. Out of gasoline. 2. Low oil level. 	<ol style="list-style-type: none"> 1. Fill fuel tank. 2. Fill crankcase to proper level.
Engine lacks power.	<ol style="list-style-type: none"> 1. Load is too high. 2. Dirty air filter. 	<ol style="list-style-type: none"> 1. See "Don't Overload the Generator" on page 8. 2. Replace air filter.
Engine "hunts" or falters.	<ol style="list-style-type: none"> 1. Choke is opened too soon. 2. Carburetor is running too rich or too lean. 	<ol style="list-style-type: none"> 1. Move choke to halfway position until engine runs smoothly. 2. Contact Sears service facility.



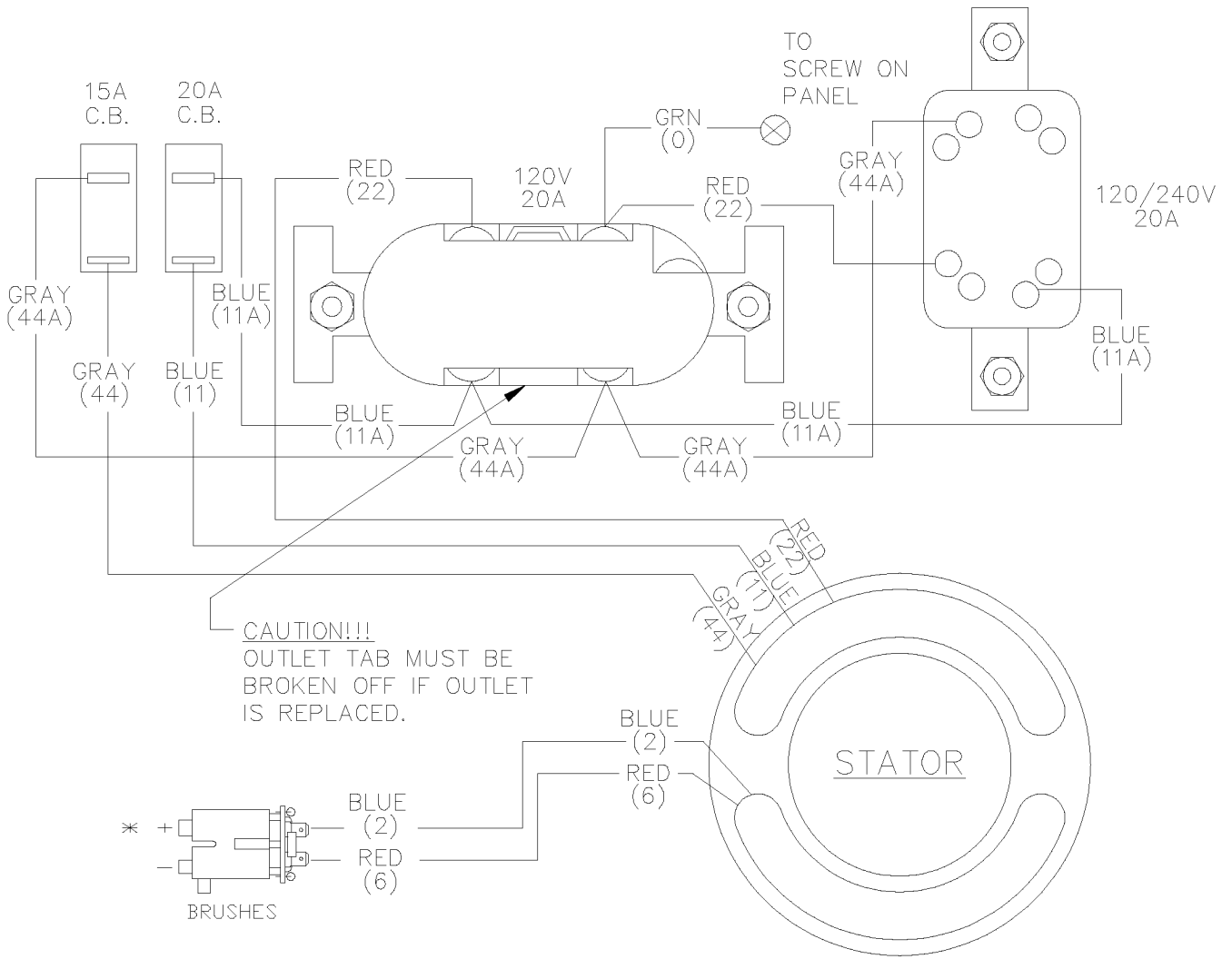
SCHEMATIC DIAGRAM

CRAFTSMAN 3500 Watt AC Generator 580.327130



WIRING DIAGRAM

CRAFTSMAN 3500 Watt AC Generator 580.327130



CRAFTSMAN 3500 Watt AC Generator 580.327130
Main Unit — Parts List

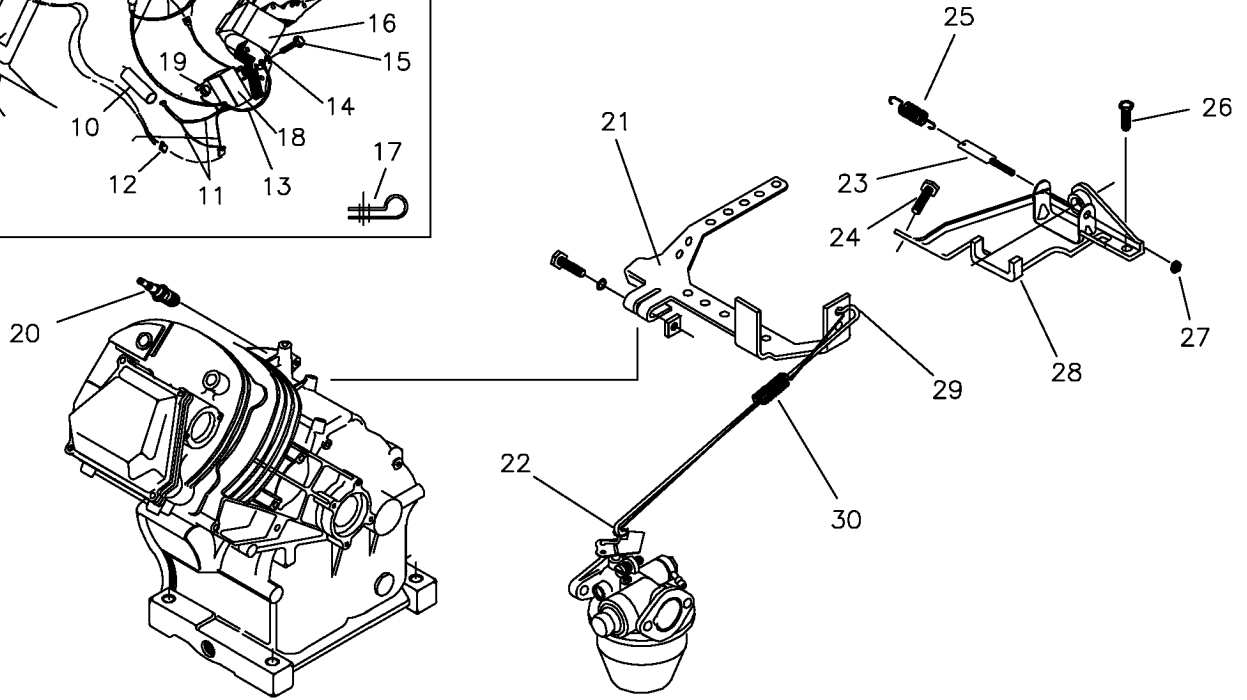
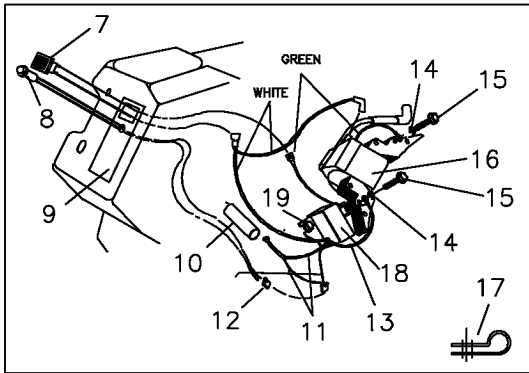
Item	Part #	Qty.	Description	Item	Part #	Qty.	Description
1	B97195	1	CRADLE, XL	42	86292	1	SCREW, #10 x 16 Self Drilling
2	84021	1	SUPPORT, Engine	43	77395	4	NUT, M6 Flange Lock
4	66365	1	HOUSING, Engine Adapter	44	83465	4	GROMMET, Tank
5	84141J	1	ASSEMBLY, Rotor	46	78831B	4	HHMS, M6 - 1.0 x 60 (black)
6	91838J	1	ASSEMBLY, Stator	47	80270	1	VALVE, Tank
7	65791	1	BEARING	48	78299	1	BUSHING, Plastic Tank
8	96796	1	WASHER, M8 Flat	49	85134	1	GAUGE, Fuel Cap
10	86307	4	HHMS, 5/16 - 24 x 3/4	50	88325	1	ASSY., Fuel Tank
11	47480	1	HHCS, 5/16 - 24 x 7"	51	B84042	1	SHIELD, Heat
12	84508	2	MOUNT, 45° Vibration	52	84687	1	INSULATION, #2 1/4"
13	52858	8	NUT, M8 Locking	53	85000	1	INSULATION, Clip
14	83208	1	BRACKET, Muffler 6HP	54	14353621	1	WIRE, Ground
15	70644	1	PPHMS, M8 - 1.25 X 20	55	23762	1	WASHER, #10 Shakeproof
16	66476	2	HHMS, M6 - 1.00 x 12 with Lock Washer	56	26850	2	WASHER, M6 Shakeproof
17	83071	1	MUFFLER	58	94396A	1	BREAKER, 15A Circuit
18	40976	2	SHCS, M8 - 1.25 x 20	60	38150	4	WASHER, #8 Flat
19	89476	1	GASKET, Exhaust	61	92982	1	DECAL, Danger
20	83083	1	SCREEN, Spark Arrestor	62	B2542	2	DECAL, Heat Shield
21	75475	4	PPHMS, M4 0.7 x 10	66	93826	1	DECAL, Start
22	98247	1	DECAL, Control Panel	67	NSP	1	DECAL, Data
23	81917	1	PIN, M4 x 10 Roll	68	77816	1	DECAL, Muffler Warning
24	84346	3	PPHMS, M8 - 1.25 x 35	70	22264	4	WASHER, #8 Lock
25	66825B	1	CARRIER, Rear Bearing	71	51715	4	NUT, M4 - 0.7 Hex
26	85652	2	MOUNT, Vibration	72	68759	1	OUTLET, 120V. 20A Duplex
27	67989	2	NUT, M8 Flanged Serrated	73	96409	1	DECAL, 1-800 #
28	B4901	1	DECAL, 1-800-4-MyHome	74	68867	1	TWISTLOCK, 120/240V. 20A
29	B4986	1	DECAL, Ground	900	NSP	1	ENGINE, 7 HP, Generac Power Systems, EHC 00955
30	74908	4	TAPTITE, M5 - 0.8 x 10				
32	86308	4	BOLT, M6 - 1.0 x 115 Stator				
33	84242	2	GROMMET				
34	23365	4	WASHER, #8 Shakeproof				
35	67022	1	GROMMET, Rubber				
36	94396B	1	BREAKER, 20 AMP CIRCUIT				
37	91825	1	ASSEMBLY, Brush Holder				
38	66849	2	TAPTITE, M5 - 0.7 x 16				
39	95600	1	COVER, Control Panel				
41	86494	1	SCREW, M6 - 1.0 x 16 Wing				

Parts Not Illustrated		
B2541	1	Operator's manual
B3061	1	28 oz. engine oil

Optional Accessories		
09-32686		120/240V 20A locking plug
09-32685		Storage cover
09-32684		Wheel kit
09-32688		Cord wrap Kit

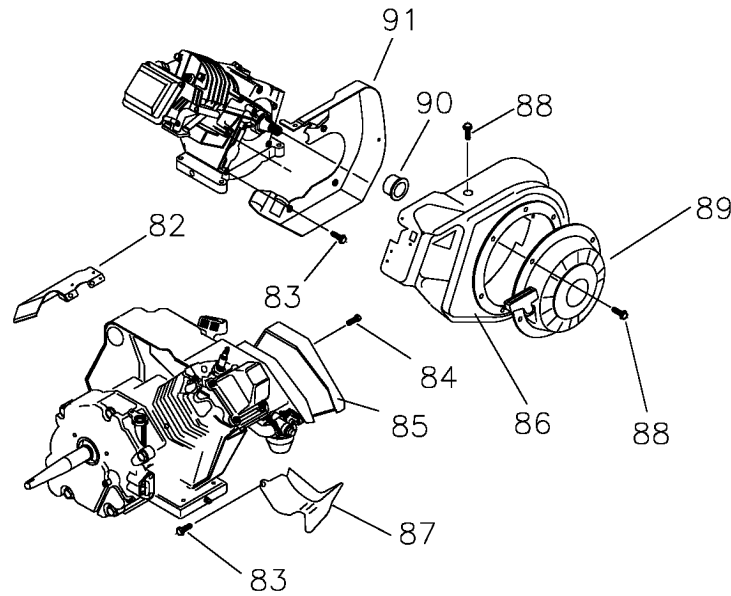
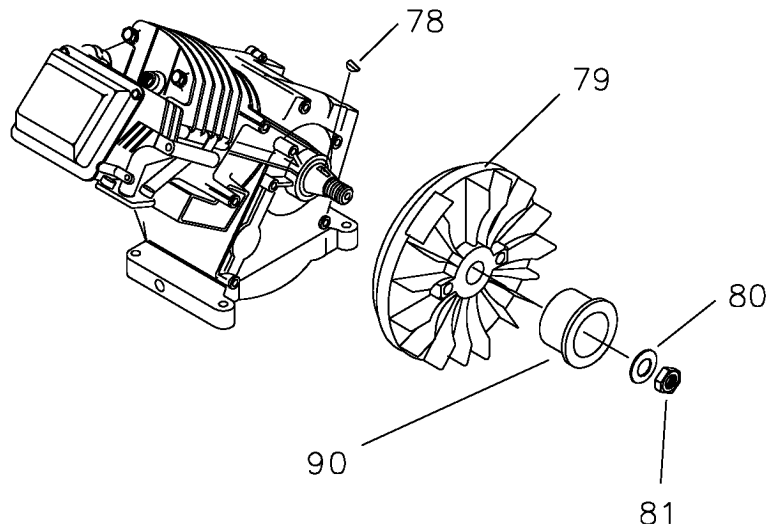


ENGINE, 7 HP, Generac Power Systems, EHC 00955 – Low Oil Shutdown And Governor– Exploded View and Parts List



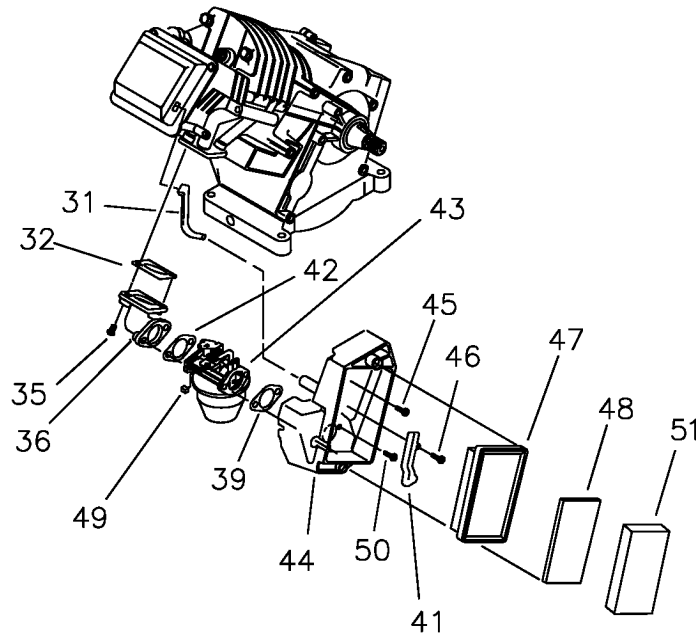
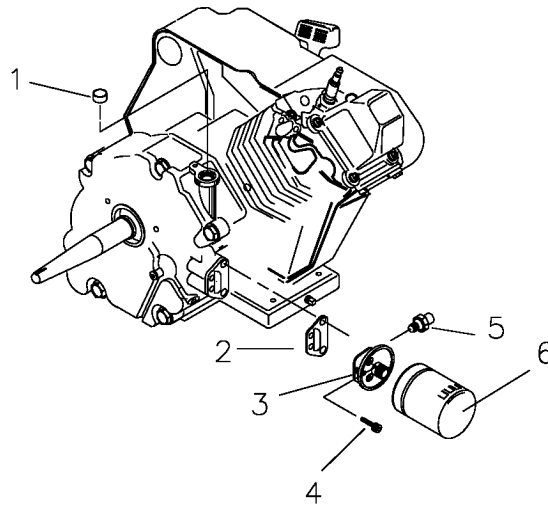
Item	Part#	Qty.	Description	Item	Part#	Qty.	Description
7	78653	1	Run/Stop Switch	19	45756	1	M6 x 10 mm Screw
8	85272	1	L.E.D. Assembly	20	72347	1	Spark Plug
9	84195	1	Low Oil Shutdown Decal	21	86962	1	Governor Lever
10	85620	1	Black Sleeving	22	85953	1	Wear Washer
11	00285271	1	Black Wire Assembly	23	83502	1	Adjust Screw
12	84329	1	3-pin Male Connector Housing	24	83512	1	M8 x 15 mm Taptite Screw
13	00185271	1	White Wire Assembly	25	78604	1	60 Hz. Governor Spring
14	22097	2	M6 Lock Washer	26	66476	1	M6 x 12 mm Capscrew
15	82891	2	M6 x 30 mm Screw	27	83503	1	M5 Lock Nut
16	81675	1	Ignition Coil	28	83781	1	Governor Bracket
17	84274	1	Tinnerman Clamp	29	86384	1	Governor Rod
18	87221A	1	Low Oil Shutdown Module	30	86037	1	Anti-lash Spring

ENGINE, 7 HP, Generac Power Systems, EHC 00955 – Recoil Starter and Flywheel – Exploded View and Parts List



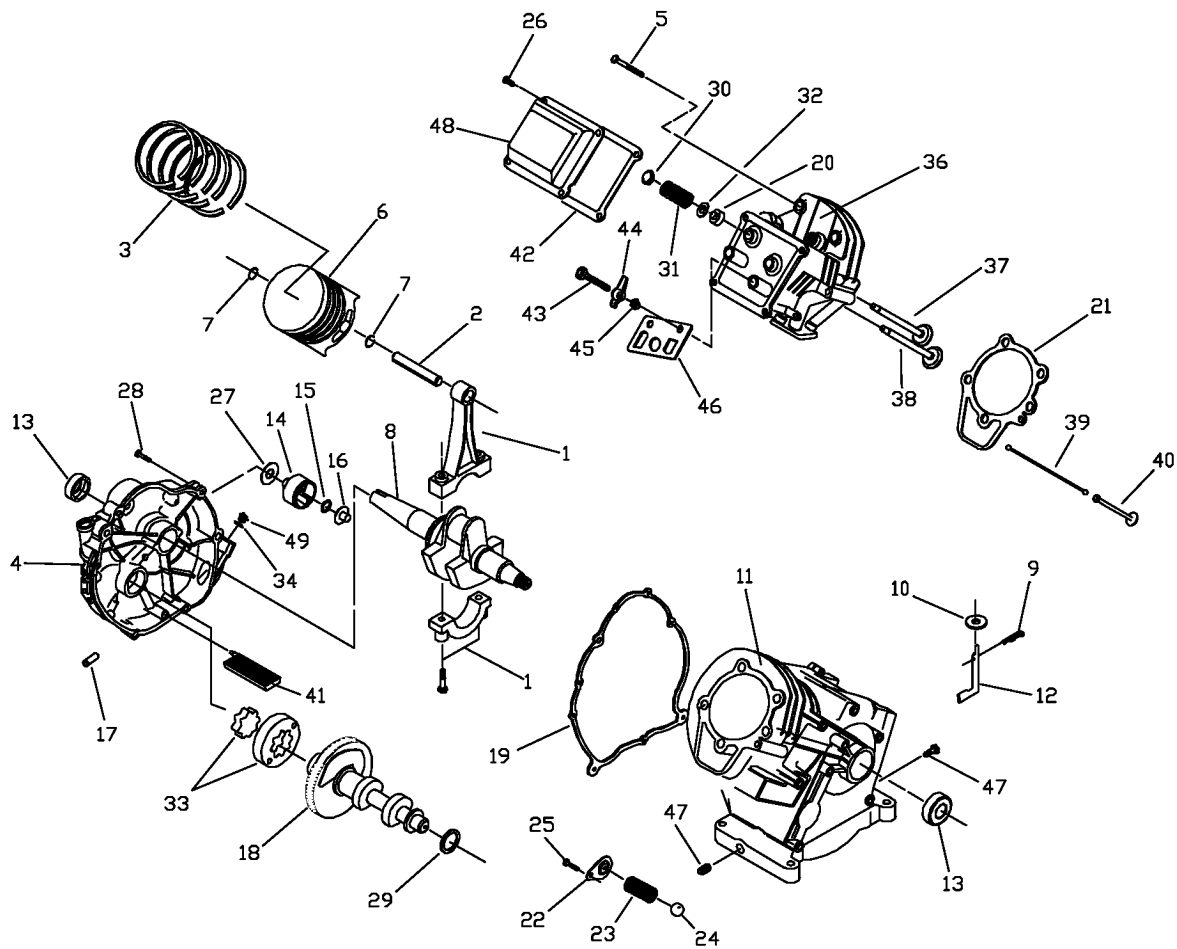
Item	Part #	Qty.	Description
78	82774	1	Woodruff Key
79	77182E	1	Flywheel
80	83312	1	Conical Washer
81	81810	1	M16 Hex Nut
82	92984	1	Top Wrapper
83	45756	4	M6 x 10 mm Screw
84	78609	2	Cover Bolt
85	78608A	1	Air Box Cover
86	90695A	1	Blower Housing
87	89739	1	Lower Wrapper
88	66476	9	M6 x 12 mm Capscrew
89	A2799	1	Recoil Assembly
90	A2842	1	Recoil Cup
91	78651C	1	Backplate

ENGINE, 7 HP, Generac Power Systems, EHC 00955 – Carburetor, Air Cleaner, Oil Switch and Oil Filter – Exploded View and Parts List



Item	Part #	Qty.	Description	Item	Part #	Qty.	Description
1	94820	1	Expansion Plug	42	78631	1	Manifold Gasket
2	91848	1	Oil Filter Gasket	43	97747	1	Carburetor
3	84982	1	Oil Filter Adapter	44	78607	1	Air Cleaner Base
4	92978	2	M6 x 20 mm Screw	45	66476	1	M6 x 12 mm Capscrew
5	99236	1	Oil Pressure Switch	46	59635	1	#8 x 3/8" Plastite Screw
6	70185	1	Oil Filter	47	78601	1	Air Filter
31	90947	1	Breather Hose	48	78602	1	Pre-cleaner
32	90051	1	Manifold Head Gasket	49	83504	1	Choke Knob
35	80316	2	M6 x 30 mm Screw	50	78643	2	Carb Mount Bolt
36	90948	1	Intake Manifold	51	78608A	1	Air Box Cover
39	91846	1	Air Box Gasket	-	78609	2	Air Box Screws
41	80303	1	Canal Cover				

ENGINE, 7 HP, Generac Power Systems, EHC 00955 – Long Block – Exploded View and Parts List



Item	Part #	Qty.	Description	Item	Part #	Qty.	Description
1	78621	1	Control Rod Assembly	26	78606	4	M6-1.0 x 12 mm Screw
2	76389	1	Piston Pin	27	76361	1	Governor Gear Thrust Washer
3	88411	1	Piston Ring Set	28	89230	6	M8-1.25 x 35 mm Screw
4	A8897A	1	Gear Cover Assembly	29	99922	1	Spring Washer
5	77168	5	M8 x 52mm Head Bolt	30	A1720	2	Valve Spring Retainer
6	88057	1	Piston [220cc]	31	88401	2	Valve Spring
7	76390	2	Pin Retainer Ring	32	84186	2	Valve Spring Wear Washer
8	83337A	1	Tapered Crankshaft Assm.	33	83192	1	Geroter Set
9	78658	1	Governor "R" Pin	34	86254	1	"O" Ring
10	78659	1	Governor Arm Thrust Washer	36	21705B	1	Cylinder Head Assembly
11	89213J	1	Crankcase Assm.	37	90082	1	Exhaust Valve
12	A7637	1	Governor Arm	38	90081	1	Intake Valve
13	81695	2	Oil Seal	39	88396A	2	Push Rod
14	A8929	1	Governor Gear Assembly	40	83235	2	Tappet
15	78645	1	Governor Gear C-Ring	41	80336	1	Oil Pick-up Assembly
16	A7811	1	Governor Spool	42	96362	1	Rocker Cover Gasket
17	72683	1	1/8" NPT Pipe Plug	43	77161	2	Pivot Ball Stud
18	98752	1	Camshaft Assembly	44	77160	2	Rocker Arm
19	89096	1	Crankcase Gasket	45	76307	2	Rocker Arm Jam Nut
20	88156	1	Valve Stem Seal	46	88403	1	Push Rod Guide Plate
21	A8822	1	Cylinder Head Gasket	47	72657	2	1/4" NPT Pipe Plug
22	78691	1	Oil Pressure Relief Cover	48	88412	1	Rocker Cover Assembly
23	A5772	1	Oil Pressure Spring	49	76329	1	Plastic Oil Fill Plug
24	A5776	1	5/16" Ball	21944E	1	Complete Long Block (all items shown)	
25	74908	1	M5 Form Screw				

CALIFORNIA EMISSION CONTROL WARRANTY STATEMENT

Your Warranty Rights and Obligations

The California Air Resources Board ("CARB") and Sears Roebuck and Co., USA, are pleased to explain the Emission Control System Warranty on your model year 2000 and later small off-road engine. In California new small off-road engines must be designed, built and equipped to meet the State's stringent anti-smog standards. Sears must warrant the emission control system on your small off-road engine for the periods of time listed below provided there has been no abuse, neglect, or improper maintenance of your small off-road engine.

Your emission control system includes parts such as the carburetor and the ignition system.

Where a warrantable condition exists, Sears will repair your small off-road engine at no cost to you. Expenses covered under warranty include diagnosis, parts, and labor.

Manufacturer's Warranty Coverage

The model year 2000 and later small off-road engines are warranted for two years. If any emission related part on your engine (as listed below) is defective, the part will be repaired or replaced by Sears.

Owner's Warranty Responsibilities

As the small off-road engine owner, you are responsible for the performance of the required maintenance listed in your owners manual. Sears recommends that you retain all receipts covering maintenance on your small off-road engine, but Sears cannot deny warranty solely due for the lack of receipts or for your failure to ensure the performance of all scheduled maintenance.

As the small off-road engine owner, you should be aware that Sears may deny you warranty coverage if your small off-road engine or a part of it has failed due to abuse, neglect, improper maintenance, unapproved modifications, or the use of parts not made or approved by the original equipment manufacturer.

You are responsible for presenting your small off-road engine to a Sears authorized repair center as soon as a problem exists. Warranty repairs should be completed in a reasonable amount of time, not to exceed 30 days.

If you have any questions regarding your warranty rights and responsibilities, you should contact your nearest authorized service center or call Sears at 1-800-473-7247.

Warranty Commencement Date

The warranty period begins on the date the lawn and garden equipment engine is delivered.

Length of Coverage

Sears warrants to the initial owner and each subsequent purchaser that the small off-road engine is free from defects in materials and workmanship which cause the failure of a warranted part for a period of two years.

WHAT IS COVERED

Repair or Replacement of Parts

- Repair or replacement of any warranted part will be performed at no charge to the owner at an approved Sears servicing center.
- If you have any questions regarding your warranty rights and responsibilities, you should contact your nearest authorized service center or call Sears at 1-800-473-7247.

Warranty Period

Any warranted part which is not scheduled for replacement as required maintenance, or which is scheduled only for regular inspection to the effect of "repair or replace as necessary" shall be warranted for 2 years. Any warranted part which is scheduled for replacement as required maintenance shall be warranted for the period of time up to the first scheduled replacement point for that part.

Diagnosis

The owner shall not be charged for diagnostic labor which leads to the determination that the warranted part is defective if the diagnostic work is performed at an approved Sears servicing center.

Consequential Damages

Sears may be liable for damages to other engine components caused by the failure of a warranted part still under warranty.

WHAT IS NOT COVERED

All failures caused by abuse, neglect, or improper maintenance are not covered.

Add-on or Modified Parts

The use of add-on or modified parts can be grounds for disallowing a warranty claim. Sears is not liable to cover failures of warranted parts caused by the use of add-on or modified parts.

How to File a Claim

If you have any questions regarding your warranty rights and responsibilities, you should contact your nearest authorized service center or call Sears at 1-800-473-7247.

Where to Get Warranty Service

Warranty services or repairs shall be provided at all Sears authorized service centers.

Maintenance, Replacement and Repair of Emission Related Parts

Any Sears approved replacement part used in the performance of any warranty maintenance or repair on emission related parts will be provided without charge to the owner if the part is under warranty.

Emission Control Warranty Parts List

1. Carburetor Assembly
2. Ignition System
 - a. Spark Plug, covered up to maintenance schedule.
 - b. Ignition Module
3. Crankcase Breather Tube
4. Exhaust Manifold

ÍNDICE

GARANTIA	24	ESPECIFICACIONES DEL PRODUCTO	32
REGLAS DE SEGURIDAD	25	ALMACENAMIENTO	36
ENSAMBLAJE	26	DIAGNOSTICOS DE AVERÍAS	37
FUNCIONAMIENTO	27-31	GARANTÍA DE EMISIONES	38-39
MANTENIMIENTO	32-35	PARTES/SERVICIO	ULTIMA PÁGINA

GARANTÍA

GARANTIA LIMITADA DE GENERADOR PORTATILE CRAFTSMAN

SEARS garantiza al comprador original que el alternador y el motor para su generador portátil estarán libres de defectos en los materiales o la mano de obra para las piezas y el período establecido a partir de la fecha de compra original. Esta garantía no es transferible y se aplica únicamente a los generadores portátiles impulsados por el motor garantizado GN Seria de Sears.

	Consumidor*	Comercial*
Alternador	2 años	1 año
Motor	2 años	1 año

***NOTA:** Para el propósito de esta garantía "Uso de Consumidor" quiere decir uso doméstico de residencia personal por el comprador original. "Uso Comercial" quiere decir todos los otros usos, incluyendo alquiler, construcción, comercial y propósitos que producen ganancia. Una vez que un generador ha experimentado uso comercial, de allí en adelante será considerado como un generador de uso comercial para los propósitos de esta garantía.

Durante dicho período de garantía, SEARS reparará o reemplazará a su opción cualquier pieza la cual, al ser examinada por SEARS, se encuentre que está defectuosa bajo uso y servicio normales**. Las baterías de arranque no están garantizadas por SEARS. Todos los costos de transporte bajo la garantía, incluyendo la devolución a la fábrica si fuera necesario, serán cargados al comprador y prepagados por él. Esta garantía no incluye el mantenimiento y servicio normal no se aplica a un conjunto de generador, alternador o motor, o las piezas que han sido sujetas a instalación a alteración inadecuadas o desautorizadas, abuso, negligencia, accidentes, sobrecarga, velocidad excesiva, mantenimiento, reparaciones o almacenamiento inadecuados, de modo que, en la opinión de SEARS, afecten adversamente su rendimiento y confiabilidad.

****Degaste Normal:** Como con todos los aparatos eléctricos, los motores necesitan servicio y reemplazo periódico para que den buen rendimiento. Esta garantía no cubrirá reparación cuando el uso normal ha agotado la duración de una pieza o de un motor.

No hay ninguna otra garantía expresada. SEARS por este medio desconoce cualquiera y todas las garantías implicadas, incluyendo pero no limitándose a aquellas de mercantilidad y adaptación para un propósito particular, en la proporción permitada por la ley. La duración de cualquier garantía implicada la cual no puede ser desconocida se limita al período de tiempo según se especifica en la garantía expresada. La responsabilidad por daños de consecuencia, accidentales o especiales bajo cualquiera o todas las garantías se excluye. Algunos estados no permiten limitaciones sobre cuánto tiempo una garantía implicada dura, o la exclusión o limitación de daños accidentales o de consecuencia, de manera que las limitaciones o exclusiones mencionadas anteriormente pueden no aplicar para usted. Esta garantía le da derechos legales específicos y usted también puede tener otros derechos, los cuales varían de estado a estado.

Para servicio, póngase en contacto la instalación de servicio de garantía autorizada más cercana de SEARS. El servicio de garantía puede ser llevado a cabo solamente por una instalación de servicio autorizado de SEARS. Esta garantía no se aplica al servicio dado en ninguna otra instalación. En el momento de solicitar servicio de garantía, se debe presentar evidencia de la fecha de compra original.

SEARS, ROEBUCK AND CO., D/817 WA, Hoffman Estates, IL 60179



REGLAS DE SEGURIDAD



ADVERTENCIA:



El escape del motor de este producto contiene elementos químicos, los cuales son reconocidos en el Estado de California por producir cáncer, defectos de nacimiento u otros daños de tipo reproductivo.



¡PRECAUCIÓN! Siempre desconecte el alambre de la bujía y colóquelo donde no pueda entrar en contacto con la bujía, para evitar el arranque accidental durante la instalación, transporte, ajuste o reparación de su generador.



¡PELIGRO! Este generador está diseñado para uso en exteriores únicamente. No use este generador en el interior de ninguna edificación o recinto cerrado, incluyendo el compartimiento para generador de un vehículo recreacional (VR). Podrían ocurrir incendios o explosiones. Las modificaciones realizadas por el usuario, incluyendo ventilación del escape y/o ventilación de enfriamiento, no eliminarán el peligro. También, permita que exista al menos dos pies de distancia alrededor del generador, incluso cuando esté operando la unidad en exteriores.



¡PRECAUCIÓN! Lea este manual y siga todas las Reglas de Seguridad e Instrucciones de Operación antes de usar este producto.

- El generador produce un voltaje muy alto, el cual puede ocasionar descargas eléctricas extremadamente peligrosas. Evite el contacto con terminales, alambres pelados o sin recubrimiento, etc. Nunca permita que personas no calificadas operen o proporcionen servicio al generador.
- Nunca manipule dispositivos o cordones eléctricos cuando se encuentre parado en agua, descalzo o con los pies o las manos mojadas.
- El Código Eléctrico Nacional exige que el bastidor y las partes externas conductoras de electricidad del generador estén conectadas adecuadamente a una conexión a tierra física. Los códigos eléctricos locales también pueden exigir la conexión a tierra adecuada del generador. Consulte con un electricista local para los requisitos de conexión a tierra en su área.
- Opere el generador únicamente en superficies niveladas y donde no se vaya a exponer a humedad excesiva, suciedad, polvo o vapores corrosivos.
- No utilice en el generador juegos de cordones eléctricos que estén desgastados, pelados, raídos o dañados de cualquier manera.

- La gasolina es altamente INFLAMABLE y sus vapores son EXPLOSIVOS. No permita que fumen, que existan llamas abiertas, chispas o calor a su alrededor cuando manipule gasolina. Evite regar gasolina sobre un motor caliente. Cumpla con todas las regulaciones que requieran almacenamiento y manejo de gasolina.
- No llene el tanque de combustible excesivamente. Siempre permita que exista espacio para la expansión del combustible. Si el tanque está demasiado lleno, el combustible podría rebosarse y caer sobre el motor caliente y ocasionar un INCENDIO o una EXPLOSION.
- Nunca almacene el generador con combustible en el tanque, donde los vapores de la gasolina puedan entrar en contacto con llamas abiertas, chispas o luces de piloto (como en hornos, calentadores de agua o secadoras de ropa). Podrían ocurrir INCENDIOS o EXPLOSIONES.
- Los gases del escape del generador contienen gas de monóxido de carbono MORTAL. Únicamente opere este equipo al aire libre donde exista ventilación adecuada.
- El motor–generador requiere de un flujo de aire de enfriamiento adecuado para tener un funcionamiento continuo adecuado. Nunca opere la unidad en el interior de habitaciones o recintos encerrados donde el flujo de aire que entra o sale de la unidad pueda ser obstruido. Deje por lo menos 2 pies de distancia alrededor del generador, incluso cuando la unidad esté funcionando en exteriores, de otra forma podría dañar la unidad.
- Nunca arranque o detenga el motor–generador cuando tenga cargas eléctricas conectadas a los tomacorrientes y los dispositivos conectados estén ENCENDIDOS. Arranque el motor y permita que se establezca antes de conectar las cargas eléctricas. Desconecte todas las cargas eléctricas antes de apagar el generador.
- **Nunca opere el generador:** en la lluvia; en compartimento encerrados; si se recalientan los dispositivos eléctricos conectados; si se pierde la salida eléctrica; si se presentan chispas en el motor o generador; si se observan llamas o humo cuando la unidad está funcionando; si la unidad vibra excesivamente.

NOTA: Si equipa su motor con un silenciador apagachispas, el apagachispas deberá ser mantenido en buenas condiciones de trabajo por parte del propietario/operador.

NOTA: Es requerido por ley un contrachispas en el estado de California (Sección 4442 del Código de Recursos Públicos de California). Otros estados pueden tener leyes similares. Las leyes federales se aplican en tierras federales.



BUSQUE ESTE SIMBOLO PARA SEÑALAR PRECAUCIONES DE SEGURIDAD IMPORTANTES. ESTE SIGNIFICA “¡ATENCIÓN!!! ¡ESTE ALERTA!!! SU SEGURIDAD ESTA EN PELIGRO.”

ENSAMBLAJE

PARA RETIRAR EL GENERADOR DE LA CAJA

- Saque los repuestos que continen ambas cajas y caja de repuestos incluyendo con generador. Repasar "Operación en Clima Frio" en la página 29.

- Corte las esquinas en una de las terminaciones de las caja de envío y acueste la caja por ese lado.
- Retire el material de empaque, rellenos de la caja, etc.
- Retire el generador de la caja de envío.

FUNCIONAMIENTO

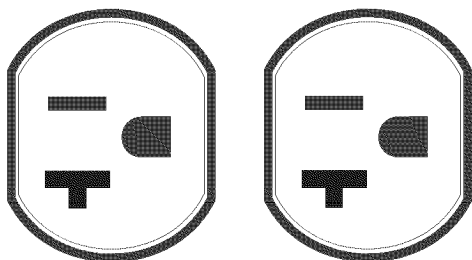
CONTENIDOS DE CAJA

Si hay piezas dañadas o faltantes, llame a la línea de ayuda de generador, tel. 1-800-222-3136.

JUEGOS DE CABLES Y ENCHUFES CONECTORES

Tomacorriente Doble de 120 Voltios AC

Únicamente use cordones de extensión de alta calidad y con buen aislamiento en los tomacorrientes eléctricos dobles de 120 Voltios del generador.



Cada tomacorriente está protegido contra sobrecargas a través de un cortacircuito con dispositivo de reposición. Use cada tomacorriente para activar cargas eléctricas de 120 Voltios AC, monofásicas de 60 Hz que requieran hasta 2,400 vatios (2.4 kW) a 20 Amperios de corriente.



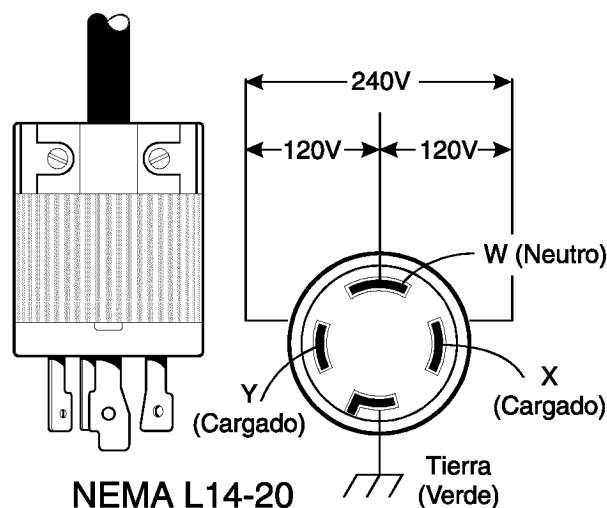
¡PRECAUCIÓN! A pesar de que cada tomacorriente tiene una capacidad de 120 Voltios a 20 Amperios (2,400 vatios o 2.4 kW), el generador tan solo tiene una capacidad de 3,500 vatios. Las cargas de potencia que excedan la capacidad de vatiaje/amperaje del generador pueden dañarlo o causar lesiones severas. El total de las cargas con 120 Voltios activadas a través de estos tomacorrientes no deben exceder los 20 Amperios.

Revise la capacidad de todos los cordones de extensión antes de usarlos. Los juegos de cordones de extensión usados deberán tener una capacidad de 125 Voltios AC a 20 Amperios, o mayor, para la mayoría de dispositivos. Sin embargo, es posible que algunos dispositivos no requiera de este tipo de cordón de extensión. Revise los manuales del propietario de estos dispositivos para las recomendaciones del fabricante.

Mantenga los cordones de extensión lo más corto posible, preferiblemente menos de 15 pies de largo para evitar la caída de voltaje y posible recalentamiento de los alambres.

Tomacorriente de 120/240 Voltios AC, 30 Amperios

Este tomacorriente es del tipo NEMA L14-20 y está protegido por cortacircuito con dispositivo de reposición.



NEMA L14-20

Se requiere de un enchufe conector compañero tipo NEMA L14-20 para usar este tomacorriente. Conecte un juego de cordones 4 alambres al enchufe y a la carga que desee. El juego de cordones deberá tener una capacidad de 250 Voltios a 30 Amperios (o mayor).

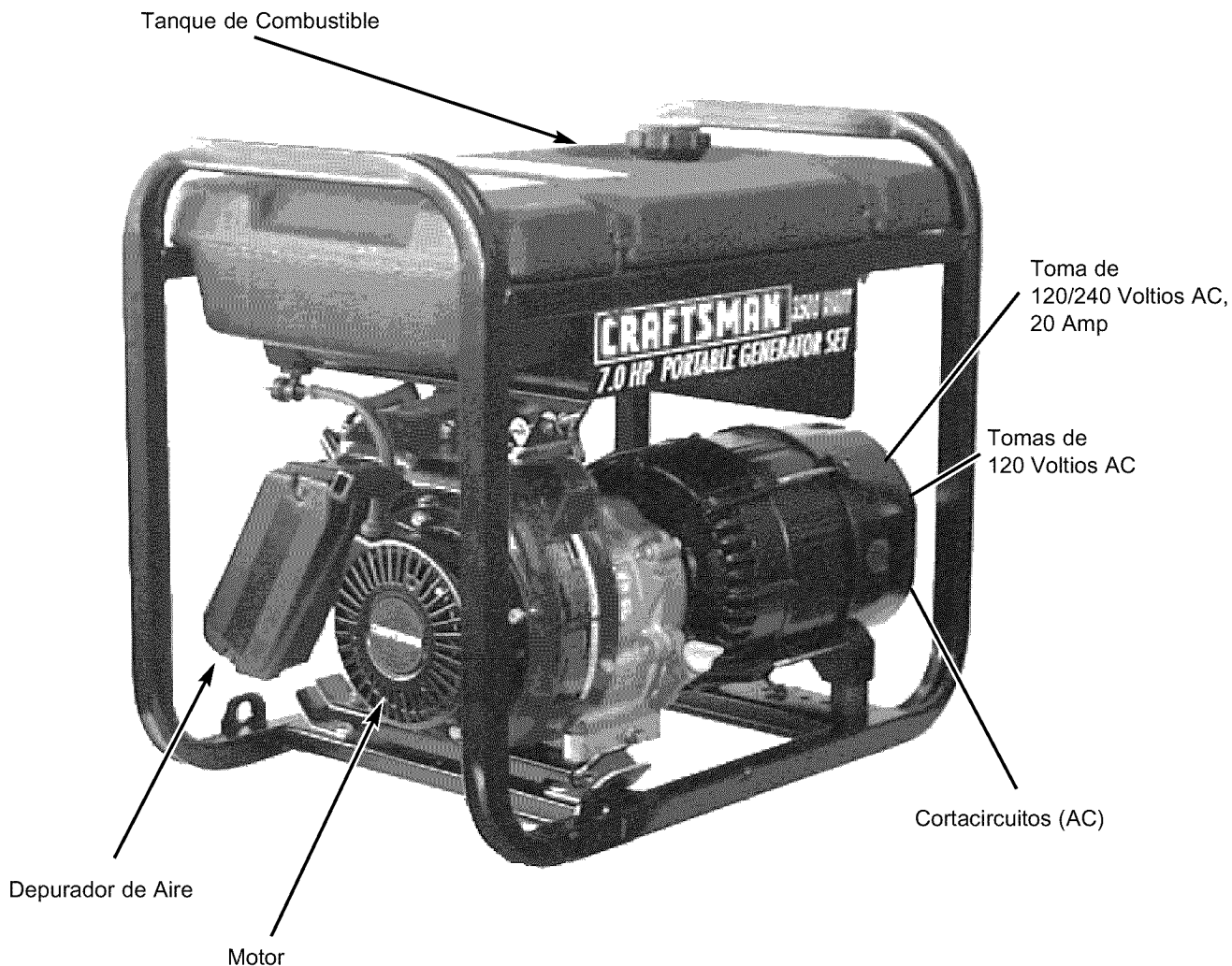


¡PRECAUCIÓN! A pesar de que este tomacorriente tiene una capacidad de 240 Voltios a 20 Amperios (4800 vatios o 4.8 kW), el generador tan solo tiene una capacidad total de 3,500 vatios (3.5 kW). Las cargas de potencia que excedan la capacidad de vatiaje/amperaje del generador pueden dañarlo o causar lesiones severas. Las cargas con 240 Voltios activadas a través de este tomacorriente no deben exceder los 20 Amperios.

CONOZCA SU GENERADOR

LEA ESTE MANUAL DEL PROPIETARIO Y LAS REGLAS DE SEGURIDAD ANTES DE OPERAR SU GENERADOR.

Compare las ilustraciones con su Generador para familiarizarse con las ubicaciones de los diferentes controles y ajustes. Conserve este manual para referencias futuras.



Cortacircuitos (AC) - Cada tomacorriente posee un cortacircuito para proteger el generador contra sobrecargas eléctricas. Los cortacircuitos son del tipo “oprimir para reposicionar”.

Depurador de Aire – Su motor no funcionará apropiadamente y se puede dañar si lo hace funcionar utilizando un depurador de aire sucio.

Motor – El motor de camisa de hierro fundido impulsado el campo giratorio a 3600 rpm aproximadamente.

Tanque de Combustible – Capacidad en los 4 galones U.S.

Toma de 120/240 Voltios AC, 20 Amp - Puede ser utilizada para suministrar energía eléctrica para el funcionamiento de hasta 240 Voltios AC a 20 Amps, monofásica, 60 Hz, cargas de iluminación eléctrica, electrodomésticos, herramientas y motores. Los conectores de cierre por giro son necesarios cuando utilice esta toma.

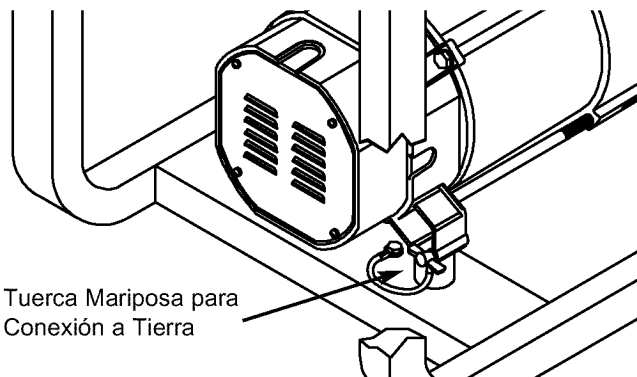
Tomas de 120 Voltios AC — Pueden ser utilizadas para suministrar energía eléctrica para el funcionamiento de 120 Voltios AC a 20 Amps, monofásica, 60 Hz, cargas de iluminación eléctrica, electrodomésticos y motores.

COMO USAR SU GENERADOR

Si tiene problemas operando su generador, por favor llame a la línea de ayuda para generadores al **1-800-222-3136**.

CONEXION A TIERRA DEL GENERADOR

El Código Eléctrico Nacional exige que el bastidor y las partes externas conductoras de electricidad de este generador se encuentren conectadas adecuadamente a una tierra física aprobada. Los códigos eléctricos locales también podrían exigir la conexión a tierra de la unidad. Para tal propósito, se ha suministrado una tuerca mariposa para conexión a tierra en la base del armazón.



Por lo general, la conexión de un alambre de cobre trenzado No. 12 AWG (American Wire Gauge) a la aleta de conexión a tierra y a una barra de conexión a tierra de cobre o bronce (electrodo) proporciona una protección adecuada contra las descargas eléctricas. Sin embargo, los códigos locales pueden variar substancialmente. Consulte con un electricista local para conocer los requisitos de conexión a tierra de su área.

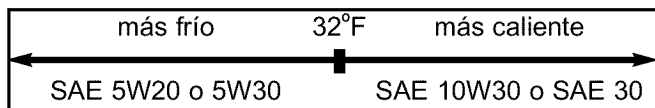
La conexión a tierra adecuada del generador ayudará a evitar las descargas eléctricas en el caso de que exista una condición de falla a tierra en el generador o en los dispositivos eléctricos conectados. La conexión a tierra adecuada también ayuda a disipar la electricidad estática, la cual se acumula frecuentemente en dispositivos no conectados a tierra.

ANTES DE DARLE ARRANQUE AL GENERADOR

Para operar el motor, deberá hacer lo siguiente:

Añada Aceite de Motor

NOTA: Cuando añada aceite a la caja del cigüeñal del motor en el futuro, únicamente use aceite detergente de alta calidad con la clasificación de servicio SF o SG de API. No use aditivos especiales. Seleccione el grado de viscosidad del aceite de acuerdo con la temperatura de funcionamiento que espera tener.



A pesar de que los aceites de múltiple viscosidad (5W30, 10W30, etc.) mejoran el arranque en clima frío, estos pueden producir un aumento en el consumo de aceite cuando son usados por encima de 32°F. Revise el nivel de aceite de su motor más frecuentemente para evitar el posible daño del motor debido al funcionamiento del mismo con un bajo nivel de aceite.

- Coloque el generador sobre una superficie nivelada.
- Limpie el área alrededor del llenado de aceite; retire la varilla de medición.
- Limpie la varilla de medición.
- Vierta el aceite hasta que llegue a la marca FULL (LLENO) de la varilla de medición. **No lo llene excesivamente.**

Agregue Gasolina

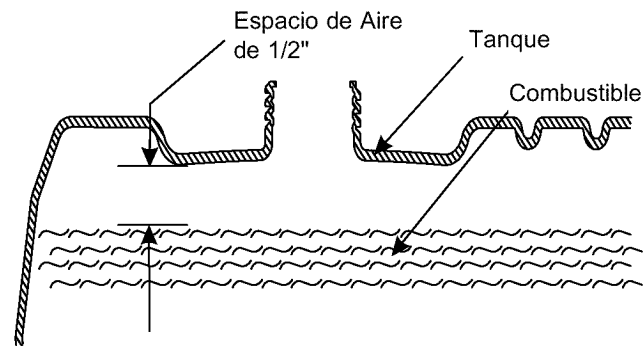


¡ADVERTENCIA! NUNCA llene el tanque del combustible en recintos cerrados. **NUNCA** llene el tanque del combustible cuando el motor esté en funcionamiento o caliente. **NO** encienda cigarrillos o fume cuando esté llenando el tanque del combustible.



¡PRECAUCIÓN! No llene excesivamente el tanque de combustible. Deje suficiente espacio para la expansión del combustible.

- Use gasolina regular **SIN CONTENIDO DE PLOMO** en el generador. No use gasolina premium. **NO** mezcle aceite con gasolina.
- Limpie el área alrededor de la tapa de llenado; retire la tapa.
- Llene el tanque con gasolina regular sin contenido de plomo. Sea cuidadoso de no llenar en exceso. Deje aproximadamente 1/2" de espacio entre la parte inferior de la abertura de llenado y el nivel del combustible para permitir su expansión.



- Instale la tapa del combustible y limpie cualquier derrame de gasolina.

IMPORTANTE: Es importante evitar la formación de depósitos de goma en las partes esenciales del sistema de combustible como en el carburador, filtro del combustible, manguera del combustible o tanque, durante su almacenamiento. Además, la experiencia nos dice que los combustibles con mezclas de alcohol (llamados gasohol, etanol o metanol) pueden atraer la humedad, la cual

produce la separación y formación de ácidos durante el almacenamiento. La gasolina ácida puede dañar el sistema de combustible de un motor durante su almacenamiento. Para evitar problemas en el motor, deberá vaciar el sistema de combustible antes de períodos de almacenamiento de 30 días o más. Vea "Almacenamiento" en la página 36. Nunca use productos para limpiar motores o carburadores en el tanque del combustible; si lo hace ocurrirán daños permanentes.

PARA ENCENDER EL MOTOR

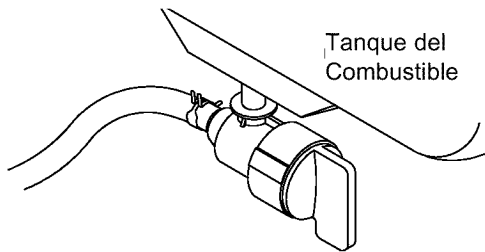


¡PRECAUCIÓN! Nunca haga funcionar el motor en recintos encerrados o en áreas encerradas con poca ventilación. El escape del motor contiene monóxido de carbono, un gas letal e inodoro.

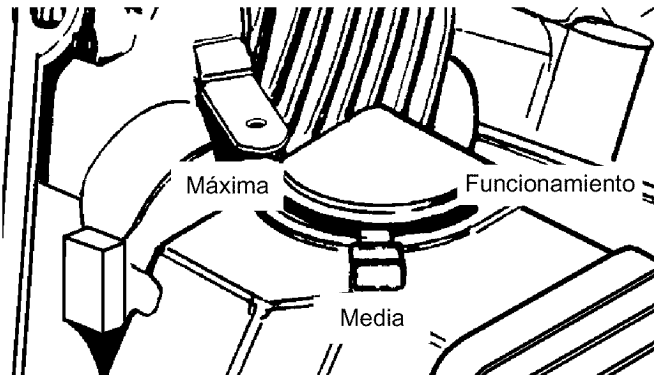


¡ADVERTENCIA! La temperatura del silenciador y las áreas próximas pueden exceder los 150°F (65°C). Evite dichas áreas.

- Desconecte todas las cargas eléctricas de las tomacorrientes del generador antes de arrancar el motor. **Nunca** arranque o detenga el motor teniendo dispositivos eléctricos conectados y encendidos en los tomacorrientes del panel.
- Abra la válvula de combustible.



- Coloque el interruptor Run/Stop (Funcionamiento/Parada) en la posición de "Run".
- Mueva la Palanca Del Cebador del motor a la posición de "Máxima" estrangulación.



- Agarre la manija del arranque y halela lentamente hasta que sienta cierta resistencia. Deje que la cuerda regrese lentamente. Después, tire de la cuerda con un movimiento rápido del brazo. Deje que la cuerda regrese lentamente. No permita que la cuerda "rebote violentamente" contra arranque.

- Cuando el motor arranque, mueva la palanca del cebador a la "Media" estrangulación hasta que el motor funcione suavemente y después muevala a la posición de "Funcionamiento".

NOTA: Si el motor no arranca después de 3 intentos, mueva la palanca del cebador a la posición de "Funcionamiento" y hale de nuevo la cuerda del arranque.

NOTA: Si aun así el motor no arranca, revise si el nivel de aceite de la caja del cigüeñal es adecuado. Esta unidad está equipada con un Sistema de Apagado por Bajo Nivel de Aceite.

NOTA: Si el motor se dispara y deja de funcionar, mueva la palanca de cebador a la posición de "Máxima" estrangulación y repita las instrucciones de arranque.

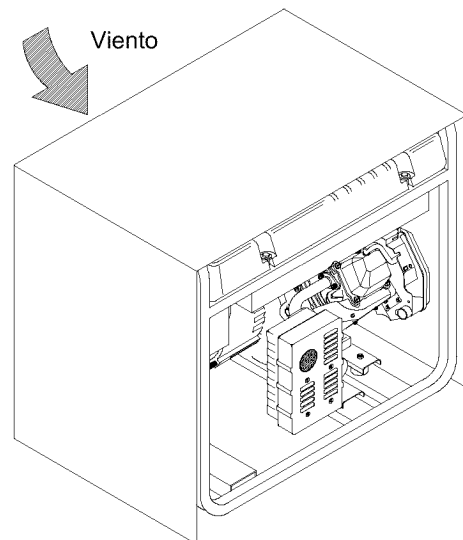
OPERACIÓN EN CLIMA FRIO

Es posible que se forme hielo en su generador y/o el sistema de desfogue de la caja del cigüeñal bajo ciertas condiciones climáticas (temperaturas por debajo de 40°F [4°C] y un punto de condensación elevado). En caso de emergencia, utilice la caja de envío original como protección para el generador:

- Corte las tapas y uno de los lados largos de la caja con el fin de dejar expuesta la parte de la unidad donde va el escape. Corte las ranuras correspondientes para tener acceso a los tomacorrientes de la unidad.
- Encienda la unidad y después coloque la caja sobre ella. Asegúrese de que exista un mínimo de dos pies de separación entre la parte abierta de la caja y el objeto más cercano.

¡IMPORTANTE! Retire la protección cuando la temperatura esté por encima de los 40°F [4°C].

Para tener una protección más permanente, construya una estructura que encierre tres lados y la parte superior del generador. Asegúrese de dejar expuesto toda la parte del silenciador, con dos pies de separación entre la parte abierta de la caja y el objeto más cercano. Coloque el lado expuesto lejos del viento y los elementos.



SISTEMA DE PARADA POR BAJA PRESION DEL ACEITE

El motor está equipado con un sensor de baja presión del aceite que para automáticamente el motor cuando la presión del aceite cae por debajo de 6 psi. Si el motor para por si mismo y el tanque de combustible tiene suficiente gasolina, chequee el nivel de aceite en el motor.

Arranque Inicial

El sistema de parada tiene una demora incorporada para permitir que la presión del aceite aumente durante el arranque. Esta demora permite que el motor marche durante unos 10 segundos antes de detectar la presión del aceite.

Detección de Baja Presión

Si el sistema detecta baja presión del aceite durante la operación, el motor va a parar. Cuando para el sistema, se ENCIENDE la lamparilla de bajo nivel de aceite. Sin embargo, esta lamparilla se APGA una vez que el motor deja de girar. Ver el diagrama esquemático.

Volviendo a Arrancar

Si trata de volver a arrancar el motor dentro de los 10 segundos luego que ha parado, el motor quizás NO arranque. El sistema necesita entre 5 y 10 segundos para reponerse.

Si vuelve a arrancar el motor luego de tal parada sin antes haber corregido la baja presión del aceite, el motor va a funcionar durante unos 10 segundos como se describe arriba, y luego va a parar.

GUIA DE REFERENCIA DE VATIAJE

Dispositivo Eléctrico Vatios de Funcionamiento

*Aire Acondicionado (12.000 Btu)	1700
Cargador de Baterías (20 Amperios)	500
Lijadora Automática de Correa (3")	1000
Sierra de Cadena	1200
Sierra Circular (6–1/2")	800 a 1000
Cafetera	1000
*Compresor (1 HP)	2000
*Compresor (3/4 HP)	1800
*Compresor (1/2 HP)	1400
Pinza para cabello	700
*Congelador	500
Lijadora de Disco (9")	1200
Recordadora de Bordes	500
Pistola Eléctrica de Puntillas	1200
Cocina Eléctrica (por hornilla)	1500
Sartén Eléctrico	1250
*Ventilador de Horno (1/3 HP)	1200
Secador de Pelo	1200
Taladro de Mano (1")	1100
Taladro de Mano (1/2")	750 a 1000
Taladro de Mano (3/8")	500
Taladro de Mano (1/4")	250
Recordadora de Bordes	450
Llave de Choque	500
*Bomba de Chorro	800
Segadora de Césped	1200
Bombillo	100

NO SOBRECARGUE EL GENERADOR

El sobrecargar un generador en exceso de su capacidad clasificada de vatiaje puede resultar en daño al generador y a los dispositivos eléctricos conectados al mismo. Siga lo siguiente para prevenir sobrecarga la unidad.

- Sume el vatiaje total de todos los aparatos que se van a conectar al mismo tiempo. Este total NO debe ser mayor que la capacidad de vatiaje del generador.
- El vatiaje nominal de las luces pueden tomarse de las bombillas eléctricas. El vatiaje nominal de las herramientas, electrodomésticos y motores pueden usualmente encontrarse en una placa de datos o calcomanía pegada en el aparato.
- Si el electrodoméstico o el motor no tienen el vatiaje, multiplique voltios por la potencia de amperio para determinar los vatios (voltios x amps = vatios).
- Algunos motores eléctricos, tales como los de tipo de inducción, requieren como 3 veces y media más de vatios de potencia para arrancar que para funcionar. Esta sobrecarga momentánea de energía dura solamente por unos pocos segundos cuando se arrancan dichos motores. Cerciórese de dar tiempo para este vatiaje alto de arranque cuando se eligen los aparatos eléctricos para conectar a sus generador. Primero calcule los vatios que se necesitan para arrancar el motor más grande. Agregue a esa cifra los vatios de funcionamiento de todas las otras cargas conectadas.

La GUIA a continuación se provee para asistirlo en determinar cuantas piezas su generador puede operar al mismo tiempo.

Dispositivo Eléctrico Vatios de Funcionamiento

Horno Micro-ondas	700
*Enfriador de Leche	1100
Quemador de Aceite de Horno	300
Calentador Alimentado a Petróleo (140.000 Btu)	400
Calentador Alimentado a Petróleo (85.000 Btu)	225
Calentador Alimentado a Petróleo (30.000 Btu)	150
*Rociador de Pintura, Sin Aire (1/3 HP)	600
Rociador de Pintura, Sin Aire (de mano)	150
Radio	50 a 200
*Refrigerador	600
Olla de Cocción Lenta	200
*Bomba Sumergible (1–1/2 HP)	2800
*Bomba Sumergible (1 HP)	2000
*Bomba Sumergible (1/2 HP)	1500
*Bomba de Pozo	600
*Sierra de Caballete (10")	1750 a 2000
Televisión	200 a 500
Corta Maleza	500

* Asegúrese de tener 3 veces el número de vatios listados para el arranque de estos dispositivos.

MANTENIMIENTO

RESPONSIBILIDADES DEL CLIENTE

Trabajo de Mantenimiento	Cada 8 Horas o Diariamente	Cada 25 Horas o Estacional	Cada 50 Horas o Estacional	Cada 100 Horas o Estacional	Cada Año
Revise el de Acietel	X				
Cambie el aceite del motor ‡			X*		
Limpie la Malla del Apagachispas				X	
Servicio para El Depurador de Aire		X**			
Servicio para El Depurador de Aire			X**		
Ajuste del Espacio Libre de La Valvula			X		
Reemplazo de La Bujía					X
Reajuste del par los pernos de cabezal			***		
‡	Cambie el aciete después de las pimeras 8 horas de operación, después cada 50 horas.				
*	Cada 25 horas si funciona bajo carga pesada o altas temperaturas ambientes.				
**	Limpie más frecuentemente bajo condiciones polvorientas o cuando estén presentes residuos aerotransportados.				
***	Tras las primeras 50 horas de funcionamiento, deberá reajustar el par de los pernos de cabezal.				

ESPECIFICACIONES del PRODUCTO

Especificaciones del Generador

Potencia Máxima	3500 vaitos (3.5 kW)
Voltaje Nominal AC	120/240 Voltios
Corriente Máxima AC	
a 240 Voltios	14.6 Amperios
a 120 Voltios	29.2 Amperios
Frecuencia Nominal	.60Hz a 3600 rpm
Fase	Monofásica

Especificaciones del Motor

Caballos de Fuerza	7.0 CP
Desplazamiento	220cc
Bujía	
Tipo:	Champion RC12YC o equivalente
Calibrar Separación a:	.030 pulgadas (0.76mm)
Capacidad de Gasolina	4 galones americanos
Aceite	
Verano	SAE 30 (10W-30)
Invierno	SAE 5W-20 o 5W-30

RECOMENDACIONES GENERALES

La garantía de el Generador no cubre los elementos que hayan sido sujetos a abuso o negligencia del operador. Para recibir un cubrimiento completo de la garantía el operador debe seguir las pautas descritas en este manual. Algunos ajustes serán necesarios periódicamente para mantener apropiadamente su generador.

Todos los ajustes de la sección de Servicio y Ajustes de este manual deben ser hechos al menos una vez por temporada.

NOTA: Una vez al año debe reemplazar la bujía y limpiar o reemplazar el filtro de aire. Una bujía nueva y un filtro de aire limpio aseguran una mezcla de aire- combustible apropiada y le ayuda a su motor a funcionar mejor y a durar más.



¡PRECAUCIÓN! Desconecte el cable de la bujía y colóquelo donde no entre en contacto con la bujía antes de trabajar en su generador.

MANTENIMIENTO del GENERADOR

El mantenimiento del generador consiste en conservar la unidad limpia y seca. Opere y almacene la unidad en un ambiente limpio y seco donde no será expuesta al polvo, suciedad, humedad o vapores corrosivos. Las ranuras del aire de enfriamiento del generador no deben estar tapadas con nieve, hojas, o cualquier otro material extraños.

Revise frecuentemente la limpieza del generador y límpielo cuando esté con polvo, sucio, con aceite, humedad, o cuando otras substancias extrañas sean visibles en su superficie exterior.

NOTA: NO recomendamos utilizar la manguera del jardín para limpiar el generador. El agua puede entrar al sistema de combustible del motor y causar problemas. Además, si el agua entra al generador a través de las ranuras del aire de enfriamiento, parte del agua será retenida en los huecos y desquebraaduras del aislamiento del devanado del rotor y el estator. La acumulación de agua y suciedad en los devanados internos del generador eventualmente disminuirá la resistencia al aislamiento de esos devanados.

Para limpiar el Generador:

- Utilice un trapo húmedo para limpiar las superficies exteriores.
- Puede usar un cepillo de cerdas suaves para retirar la suciedad endurecida, aceite, etc.
- Puede usar una máquina aspiradora para eliminar suciedad y residuos sueltos.
- Puede usar aire a baja presión (que no exceda los 25 psi) para eliminar la suciedad. Inspeccione las ranuras para aire de enfriamiento y la apertura del generador. Estas aperturas deberán mantenerse limpias y despejadas.



¡PRECAUCIÓN! Nunca inserte objetos o herramientas a través de las ranuras de enfriamiento de aire, incluso si el motor no está en funcionamiento.

MANTENIMIENTO DEL MOTOR



¡PELIGRO! SIEMPRE desconecte el alambre de la bujía y manténgalo alejado de la misma cuando trabaje en el generador.

Revisión del Nivel de Aceite

El nivel de aceite deberá revisarse antes de cada uso o por lo menos cada 8 horas de operación. Conserve el nivel de aceite adecuado.

Cambio de Aceite del Motor y Filtro

Cambie el aceite después de las primeras 8 horas de operación. Cambie el aceite y el filtro cada 50 horas de ese momento en adelante. Si está utilizando su generador bajo condiciones de extrema suciedad o polvo, o en un clima demasiado caliente, haga el cambio de aceite más frecuentemente.

Cambie el aceite cuando el motor todavía se encuentre caliente después del funcionamiento, como se indica a continuación:

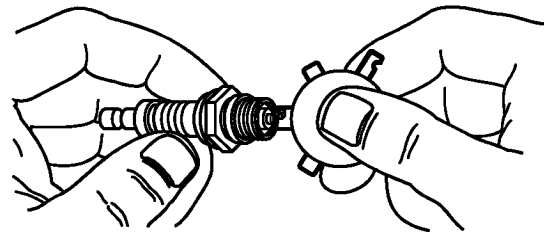
- Limpie el área alrededor del tapón para drenaje de aceite.
- Retire el tapón de drenaje de aceite y el tapón de llenado del aceite y drene el aceite por completo en un recipiente adecuado.
- Cuando haya drenado el aceite completamente, instale el tapón para drenaje de aceite y apriételo firmemente.
- Coloque un recipiente adecuado por debajo del filtro de aceite y retire el filtro girándolo en sentido contrario a las manecillas del reloj. Descártelo cumpliendo con las leyes locales.
- Cubra con aceite de motor el empaque del filtro nuevo. Gire el filtro en sentido de las manecillas del reloj hasta que el empaque se ponga en estrecho contacto con el adaptador del filtro. Después apriete 3/4 de vuelta más.
- Llène con el aceite recomendado. (Vea "Antes de Poner en Marcha el Generador" en la página 28 para las recomendaciones del aceite).

- Instale el tapón de llenado del aceite y asegúrelo.
- Limpie cualquier derrame de aceite.

Limpie/reemplace La Bujía

Cambie la bujía cada 100 horas de operación o una vez al año, lo que suceda primero. Esto ayudará a su motor a arrancar más fácilmente y a funcionar mejor. Para su reemplazo, use bujías champion RC12YC o una de tipo equivalente.

- Limpie el área alrededor de la bujía.
- Retire y revise la bujía.
- Revise la separación del electrodo con un calibrador de alambre y ajuste la separación a 0.030 pulgadas (0.76mm) si es necesario.



- Reemplace la bujía si los electrodos están picados, quemados o si la porcelana está rota. Para su reemplazo, únicamente utilice Champion RC12YC o una de tipo equivalente.

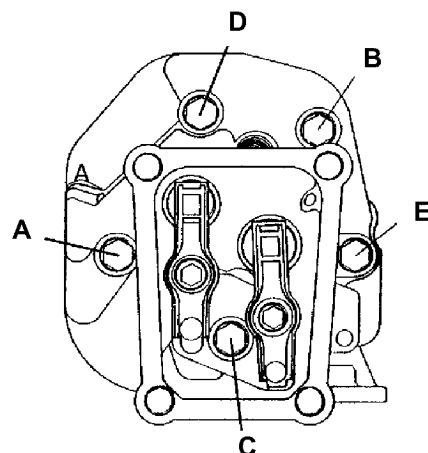
Vuelva a Apretar los Pernos de Cabeza

Usted deberá volver a apretar los pernos de cabeza a 6.9 kg.-m (44 ft.-lbs.) después de las primeras 50 horas de operación.

IMPORTANTE: Si no se siente seguro haciendo este procedimiento, o no tiene las herramientas indicadas, por favor lleve su generador al centro de servicio más cercano para hacer ajustar la separación de las válvulas. Este es un paso muy importante para garantizar la vida útil prolongada de su motor.

NOTA: Tan solo lleve a cabo este ajuste después de las primeras 50 horas de operación. Los pernos de cabeza no necesitarán ajustes adicionales.

- La secuencia de apretamiento es la siguiente: A, B, C, D, E (siguiendo un patrón alternante).



Proporcione Servicio al Depurador de Aire

Su motor no funcionará correctamente y podría resultar dañado si lo hace funcionar con un depurador de aire sucio. Limpie o reemplace el filtro de papel del depurador de aire cada 50 horas de operación o una vez al año, lo que suceda primero. Límpiolo o reemplácelo más a menudo si la unidad funciona bajo condiciones de suciedad o polvo excesivo. Limpie el predepurador de espuma cada 25 horas de operación o más pronto si está bajo condiciones de suciedad.

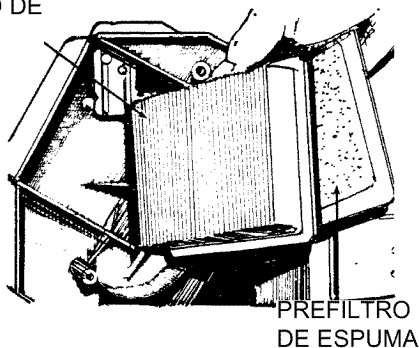
Para limpiar o reemplazar el predepurador de espuma:

- Retire la cubierta del depurador de aire, después del prefiltro de espuma.
- Lave el predepurador en agua jabonosa. Exprima el predepurador en un trapo limpio y seco (NO RETUERZA).
- Limpie la cubierta del depurador de aire antes de instalarla.

Para limpiar o reemplazar el filtro del aire de papel:

- Retire la cubierta del depurador de aire; después retire el prefiltro de espuma (dele servicio si es necesario) y retire el filtro de papel.

FILTRO DE PAPEL



- Limpie el filtro de papel golpeándolo suavemente sobre una superficie sólida. Si el filtro está demasiado sucio, reemplácelo por uno nuevo. Deseche adecuadamente el filtro viejo.
- Limpie la cubierta del depurador de aire, después introduzca el predepurador en la cubierta. Luego introduzca el filtro nuevo de papel dentro de la cubierta para sostener el predepurador en su sitio y monte toda a la base del depurador de aire.

NOTA: Si necesita ordenar un filtro de papel nuevo, por favor llame al 1-800-366-PART.

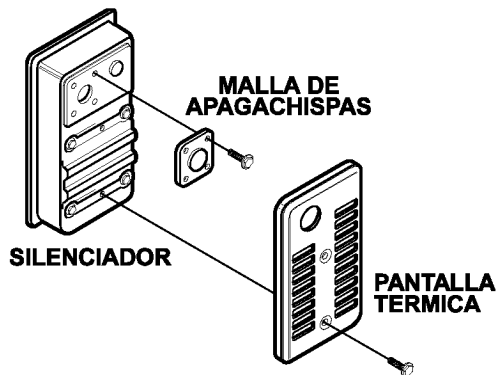
Limpie la Pantalla Apagachispas

El silenciador del escape del motor posee una pantalla apagachispas. Inspeccione y limpie la pantalla cada 100 horas de operación o una vez al año, lo que suceda primero.

NOTA: El generador tendrá que tener un apagachispas si lo usa en terrenos no tratados cubiertos de monte, maleza o pasto. El apagachispas deberá ser mantenido en buenas condiciones por parte del propietario/operador.

Limpie e inspeccione el apagachispas de la siguiente manera:

- Para retirar la protección del silenciador, retire los cuatro tornillos que conectan la protección a la ménsula del silenciador.



- Retire los cuatro tornillos que sostienen la pantalla apagachispas.
- Inspeccione la pantalla y reemplácela si está rota, perforada o dañada. NO USE pantallas defectuosas. Si la pantalla no está dañada, límpiela con un disolvente comercial.
- Vuelva a instalar la pantalla y la protección del silenciador.

Ajuste de la Separación de las Válvulas

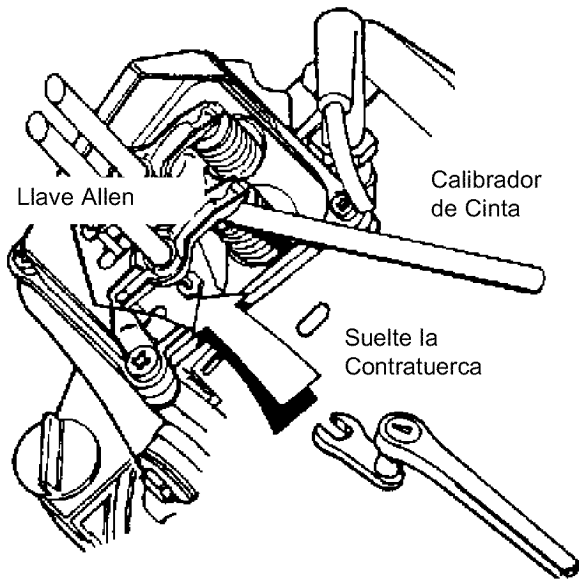
Después de las primeras 50 horas de funcionamiento deberá ajustar la separación de las válvulas del motor.

IMPORTANTE: Si no se siente seguro haciendo este procedimiento, o no tiene las herramientas indicadas, por favor lleve su generador al centro de servicio más cercano para hacer ajustar la separación de las válvulas. Este es un paso muy importante para garantizar la vida útil prolongada de su motor.

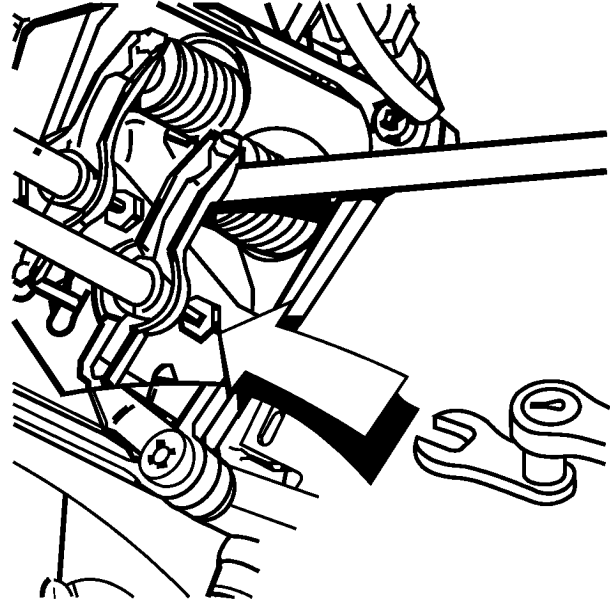
Para ajustar la separación de las válvulas:

- Asegúrese de que el motor esté a temperatura ambiente.
- Asegúrese de que el alambre de la bujía haya sido desconectado y esté alejado de la bujía.
- Retire el tubo del respiradero de la cubierta de las válvulas.
- Retire los cuatro tornillos que están conectando la cubierta de las válvulas utilizando un destornillador philips #2 ó 3.

- Asegúrese de que el pistón esté en el Punto Muerto Superior (PMS) de su recorrido de compresión (ambas válvulas cerradas). Para llevar el pistón al punto muerto superior, hale la manija de retroceso lentamente observando el pistón a través del orificio de la bujía. A medida que hale la manija de retroceso el pistón deberá moverse hacia arriba y abajo. El pistón estará en el Punto Muerto Superior cuando se encuentre en la posición más superior posible.
- Suelte la contratuerca del brazo oscilante utilizando un allave de 10 mm. Use una llave allen de 8 mm para girar el pasador de bola pivote mientras revisa la separación entre el brazo oscilante y el vástago de la válvula utilizando un calibrador de cinta. La separación correcta es de 0.002–0.004 pulgadas (0.05–0.1 mm).



- Cuando la separación de las válvulas sea la correcta, sostenga el pasador de bola pivote en su posición con la llave allen y apriete la contratuerca del brazo oscilante. Apriete la contratuerca a 165–183 pulgadas-libras de torque. Después de apretar la contratuerca, vuelva a revisar la separación de las válvulas para asegurarse de que esta no ha cambiado.



- Vuelva a instalar la cubierta de las válvulas: **NOTA:** Comience a atornillar todos los cuatro tornillos antes de apretarlos o no podrá colocarlos en su lugar. **NOTA:** Asegúrese de que el empaque entre la cubierta de las válvulas y la cabeza del cilindro esté en su lugar.
- Vuelva a instalar el tubo del respiradero.
- Vuelva a conectar el alambre de la bujía.

ALMACENAMIENTO

GENERALIDADES

El generador deberá ser encendido al menos una vez cada siete días y deberá dejarlo funcionar al menos durante 30 minutos. Si no puede hacer esto y debe almacenar la unidad por más de 30 días, siga las siguientes instrucciones para preparar su unidad para almacenamiento.



¡ADVERTENCIA! NUNCA almacene el motor con combustible en el tanque en recintos cerrados o en áreas encerradas con poca ventilación donde los vapores puedan alcanzar llamas abiertas, chispa o luz de piloto como en un horno, calentador de agua, secadora de ropa u otro aparato de gas.

ALMACENAMIENTO PARA PERIODOS PROLONGADOS

Es importante evitar que se formen depósitos de goma en las partes esenciales del sistema de combustible, como el carburador, filtro de combustible, manguera o tanque de combustible, durante el almacenamiento. También, la experiencia indica que los combustibles con mezclas de alcohol (llamados gasohol, etanol o metanol) pueden atraer humedad, la cual lleva a la separación y formación de ácidos durante el almacenamiento. El gas ácido puede dañar el sistema de combustible de un motor durante su almacenamiento.

Para evitar problemas del motor, el sistema de combustible deberá desocuparse antes de un almacenamiento de 30 días o más. Siga estas instrucciones:

Proteja el Sistema de Combustible

- Retire toda la gasolina del tanque de combustible para evitar que se formen depósitos de goma en estas partes y causen posible mal funcionamiento del motor.



¡ADVERTENCIA! Drene el combustible dentro de un recipiente adecuado, lejos de llamas abiertas y en lugares al aire libre. Asegúrese de que el motor esté frío. No fume.

- Haga funcionar el motor hasta que se detenga por la falta de combustible.

Cambio de Aceite

Con el motor todavía caliente, drene el aceite de la caja del cigüeñal. Vuelva a llenarlo con el grado de aceite recomendado.

Aceite el Diámetro Interior del Cilindro

- Retire la bujía y rocíe aproximadamente ½ onza (15 ml) de aceite para motor dentro del cilindro. Cubra el orificio de la bujía con un trapo. Haga girar el motor lentamente para distribuir el aceite.



¡PRECAUCIÓN! Evite el rociado del orificio de la bujía cuando esté girando el motor lentamente.

- Instale la bujía. No conecte el alambre de la bujía.

GENERADOR:

- Limpie el generador como está descrito en la página 33 ("Para Limpiar el Generador").
- Revise que las ranuras para el aire de enfriamiento y las aperturas del generador se encuentren abiertas y despejadas.

OTRAS SUGERENCIAS PARA EL ALMACENAMIENTO:

- No almacene gasolina de una estación a otra.
- Reemplace la caneca de gasolina si comienza a oxidarse. El óxido y/o la suciedad en la gasolina le causará problemas.
- Si es posible, almacene su unidad en un recinto encerrado y cúbrala para protegerla del polvo y la suciedad. **ASEGURESE DE VACIAR EL TANQUE DEL COMBUSTIBLE.**
- Cubra su unidad con una cubierta de protección adecuada que no retenga humedad.



¡PELIGRO! NUNCA cubra su generador cuando el motor y el área del escape estén calientes.

- Almacene la unidad en un área limpia y seca.

DIAGRAMA DE ALAMBRADOS y Para Lista de Partes - vea el manual en Inglés.

DIAGNOSTICOS DE AVERÍAS

PROBLEMO	CAUSA	ACCION
El motor está funcionando pero no existe salida de CA disponible.	<ol style="list-style-type: none"> 1. El interruptor automático de circuito está abierto. 2. Avería en el generador. 3. Conexión mal o defectuosa del juego de cables. 4. El dispositivo conectado está dañado. 	<ol style="list-style-type: none"> 1. Reposicione el interruptor. 2. Contacte el Departamento de Servicio Sears. 3. Revise y repare. 4. Conecte otro dispositivo que esté buenas condiciones.
El motor funciona bien sin carga pero “funciona mal” cuando se le conectan cargas.	<ol style="list-style-type: none"> 1. Corto circuito en una de las cargas conectadas. 2. Velocidad del motor es muy lenta. 3. El generador está sobrecarga. 4. Circuito del generador en corto. 	<ol style="list-style-type: none"> 1. Desconecte la carga eléctrica en cort 2. Contacte el Departamento de Servicio Sears. 3. Vea “No Sobrerecarque el Generador” en la página 30. 4. Contacte el Departamento de Servicio Sears.
El motor no se enciende; o se enciende y funciona mal.	<ol style="list-style-type: none"> 1. Interruptor Run/Stop poscioando en “Stop”. 2. Depurador de aire sucio. 3. Sin gasolina. 4. Gasolina vieja. 5. El cable de la bujía no está en malas la bujía. 6. Bujía defectuosa. 7. Agua en la gasolina. 8. Sobrecebado. 9. Mezcla de combustible excesivamente rica. 10. La válvula de corte de combustible. 11. La válvula de entrada está atascada está cerrada. 12. El motor ha perdido compresión. 	<ol style="list-style-type: none"> 1. Coloque del interruptor en “Run”. 2. Limpie o reemplace el depurador de aire. 3. Llénelo con combustible fresco. 4. Drene el tanque de gasolina; llénelo con combustible fresco. 5. Conecte el cable a la bujía. 6. Reemplace la bujía. 7. Drene el tanque de gasolina; llénelo con combustible fresco. 8. Abra por completo el cebador y haga girar el motor. 9. Contacte el Departamento de Servicio Sears. 10. Contacte el Departamento de Servicio Sears. 11. Contacte el Departamento de Servicio Sears. 12. Contacte el Departamento de Servicio Sears.
El motor se apaga en pleno funcionamiento.	<ol style="list-style-type: none"> 1. Sin gasolina. 2. Nivel de aceite bajo. 	<ol style="list-style-type: none"> 1. Llene el tanque de combustible. 2. Llene de caja del cigüeñal al nivel correcto.
Al motor le hace falta potencia.	<ol style="list-style-type: none"> 1. La carga es muy alta. 2. Filtro de aire sucio. 	<ol style="list-style-type: none"> 1. Vea “No Sobrerecarque el Generador” la página 30. 2. Reemplace el filtro de aire.
El motor “no funciona continuamente” o se detiene.	<ol style="list-style-type: none"> 1. El cebador fue abierto muy rápidamente. 2. Carburador con mezcla de aire-combustible muy rica o muy pobre. 	<ol style="list-style-type: none"> 1. Mueva el cebador a la posición intermedia hasta que el motor funcione suavemente. 2. Contacte el Departamento de Servicio Sears.

GARANTÍA DEL SISTEMA DE CONTROL DE EMISIONES

DECLARACION DE LA GARANTIA DEL CONTROL DE EMISIONES EN CALIFORNIA Y TERRITORIOS FEDERALES

La Junta Directiva de Recursos del Aire de California (CARB), la Agencia de Protección del Medio Ambiente de los Estados Unidos (EPA) y Sears Roebuck and Co. USA (Sears) están complacidos de explicarles la garantía del sistema de control de emisiones de su equipo de jardín, césped o servicio año 1997 o posterior. Los motores para Equipo de Jardín, Césped o Servicio (ULGE) nuevos deberán estar diseñados, construidos y equipados para cumplir con las normas exigentes anti-smog del Gobierno Federal y del Estado de California. Sears deberá garantizar el sistema de control de emisiones de su motor ULGE por los períodos de tiempo listados a continuación, con tal de que no haya existido abuso, descuido o mantenimiento incorrecto de su motor ULGE.

Su sistema de control de emisiones incluye partes como el carburador, sistemas de encendido y escape. Donde exista cualquier condición en que se pueda aplicar la garantía, Sears reparará su motor para equipo de jardín, césped o servicio sin costo alguno para usted. Los gastos cubiertos bajo la garantías incluyen diagnóstico, partes y mano de obra.

Cubrimiento de Garantía del Fabricante

Los motores ULGE modelos 97 y posteriores tienen garantía de dos años. Si cualquier componente o sistema relacionado con las emisiones de su motor (listados más adelante) es defectuoso, las reparaciones o reemplazos serán llevadas a cabo por un centro de servicio Sears autorizado.

Responsabilidades de Garantía del Propietario

Como propietario de un motor ULGE, usted es responsable por el cumplimiento del mantenimiento exigido, el cual se encuentra listado en su Manual del Propietario suministrado por la fábrica. Para propósitos de Garantía, Sears recomienda que conserve todos los recibos relacionados con el mantenimiento de su motor ULGE. Sin embargo, Sears no puede negar dicha garantía por la sola ausencia de dichos recibos o porque usted no se haya asegurado de que el mantenimiento programado haya sido llevado a cabo.

Como propietario de un motor ULGE, debe saber que Sears podría negarle cualquier y/o todo el cubrimiento de garantía o responsabilidad si su motor ULGE, o una parte/componente, ha fallado debido a abuso, negligencia, mantenimiento incorrecto, modificaciones no aprobadas, o el uso de partes falsificadas y/o partes de origen desconocido que no hayan sido hechas, suministradas o aprobadas por el fabricante del equipo original.

Usted es responsable de presentar su motor ULGE a un centro de servicio autorizado Sears tan pronto como el problema aparezca. Las reparaciones de garantía deberán ser terminadas en un período de tiempo razonable sin exceder 30 días.

Si tiene preguntas con respecto a sus derechos y responsabilidades de garantía, deberá ponerse en contacto con su centro de servicio autorizado más cercano o llamar a Sears al 1-800-473-7247.

Fecha de Inicio de la Garantía

El período de la garantía comienza en la fecha en que el motor ULGE es entregado al comprador usuario final, original.

Duración del Cubrimiento

Sears garantiza al propietario inicial y a cada comprador subsecuente, que el motor está libre de defectos en materiales y mano de obra que puedan causar falla de una parte garantizada por un período de dos años.

QUÉ ESTÁ CUBIERTO POR LA GARANTÍA

Reparación o Reemplazo de Partes

La reparación o el reemplazo de cualquier parte garantizada se realizará sin ningún costo para el propietario en un centro de servicio aprobado de Sears. Si tiene preguntas acerca de sus responsabilidades y derechos de garantía, deberá ponerse en contacto con su centro de servicio autorizado más cercano o llamar a Sears al 1-800-473-7247.

Período de Garantía

Cualquier parte garantizada que no haya sido programada para reemplazo como mantenimiento requerido estará garantizada por 2 años. Cualquier parte garantizada que esté programada para inspección regular únicamente y/o tenga instrucciones de "repare o reemplace cuando sea necesario", también estará garantizada por 2 años. Cualquier parte garantizada que esté programada para reemplazo como mantenimiento requerido, estará garantizada por el período de tiempo hasta su primer reemplazo programado o por 2 años, lo que suceda primero.

Diagnóstico

Cuando el motor ULGE sea inspeccionado por un centro de servicio Sears autorizado, el propietario no será responsable por costos de diagnóstico si se considera que la reparación puede estar cubierta por la garantía.

Daños Consecuenciales

Sears puede ser responsable por daños a otros componentes del motor causados por la falla de la parte garantizada que aún está bajo garantía.

Qué no está Cubierto

Responsabilidades del Propietario

Las fallas causadas por abuso, negligencia o mantenimiento inadecuado no estarán cubiertas por la garantía.

Partes Agregadas o Modificadas

El uso de partes agregadas, modificadas o no autorizadas puede ser motivo suficiente para negar un reclamo de garantía. Sears no será responsable por reparaciones de este tipo.

Cómo Presentar un Reclamo

Si tiene preguntas acerca de sus responsabilidades y derechos de garantía, deberá ponerse en contacto con su centro de servicio autorizado más cercano o llamar a Sears al 1-800-473-7247.

Dónde se Obtiene el Servicio de Garantía

Las reparaciones o servicios de garantía serán proporcionados en todos los centros de servicio autorizados de Sears.

Mantenimiento, Reemplazo y Reparación de Partes Relacionadas con las Emisiones

Cualquier repuesto aprobado por Sears usado en la realización de cualquier mantenimiento o reparación de garantía en las partes relacionadas con las emisiones, será suministrado sin costo alguno al propietario si la parte está bajo garantía.

Lista de Partes de la Garantía de Control de Emisiones

1. Sistema de Medición del Combustible:
 - a. Conjunto del Carburador
 - b. Filtro del Combustible
2. Sistema de Inducción de Aire:
 - a. Múltiple de admisión
 - b. Depurador de aire
3. Conjunto de Silenciador Catalítico (si está presente), incluyendo:
 - a. Empaque del silenciador
 - b. Múltiple del escape
4. Sistema de encendido
 - a. Bujía
 - b. Módulo de encendido
5. Tubo del Respiradero de la Caja del Cigüeñal

For in-home major brand repair service:

Call 24 hours a day, 7 days a week

1-800-4-MY-HOMESM (1-800-469-4663)

Para pedir servicio de reparación a domicilio – 1-800-676-5811

In Canada for all your service and parts needs call – **1-800-665-4455**
Au Canada pour tout le service ou les pièces

For the repair or replacement parts you need:

Call 7 am – 7 pm, 7 days a week

1-800-366-PART (1-800-366-7278)

Para ordenar piezas con entrega a domicilio – 1-800-659-7084

For the location of a Sears Parts and Repair Center in your area:

Call 24 hours a day, 7 days a week

1-800-488-1222

**For information on purchasing a Sears Maintenance Agreement
or to inquire about an existing Agreement:**

Call 9 am – 5 pm, Monday – Saturday

1-800-827-6655



The Service Side of SearsSM