



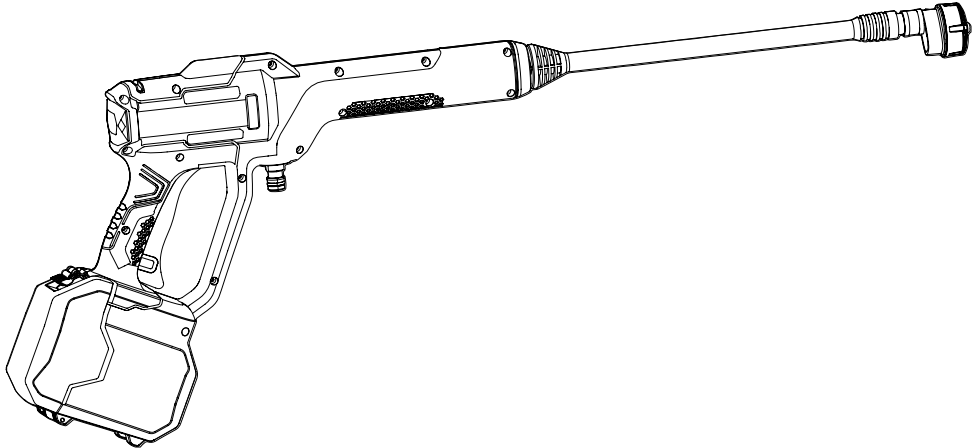
ITEM #6036654/7915901  
MODEL #KPC 724-06/KPC 3024-06

# 700 PSI POWER CLEANER

**Español p. 17**

**ATTACH YOUR RECEIPT HERE**

Kobalt and logo design are trademarks or registered trademarks of LF, LLC. All rights reserved.



Serial Number \_\_\_\_\_

Purchase Date \_\_\_\_\_

Thank you for purchasing this Kobalt product.  
Questions, problems or missing parts?  
Before returning, contact us on:  
**888-356-2258**, 8 a.m. - 8 p.m., EST, Monday - Sunday or [ascs@lowes.com](mailto:ascs@lowes.com).

DF25487

## TABLE OF CONTENTS

---

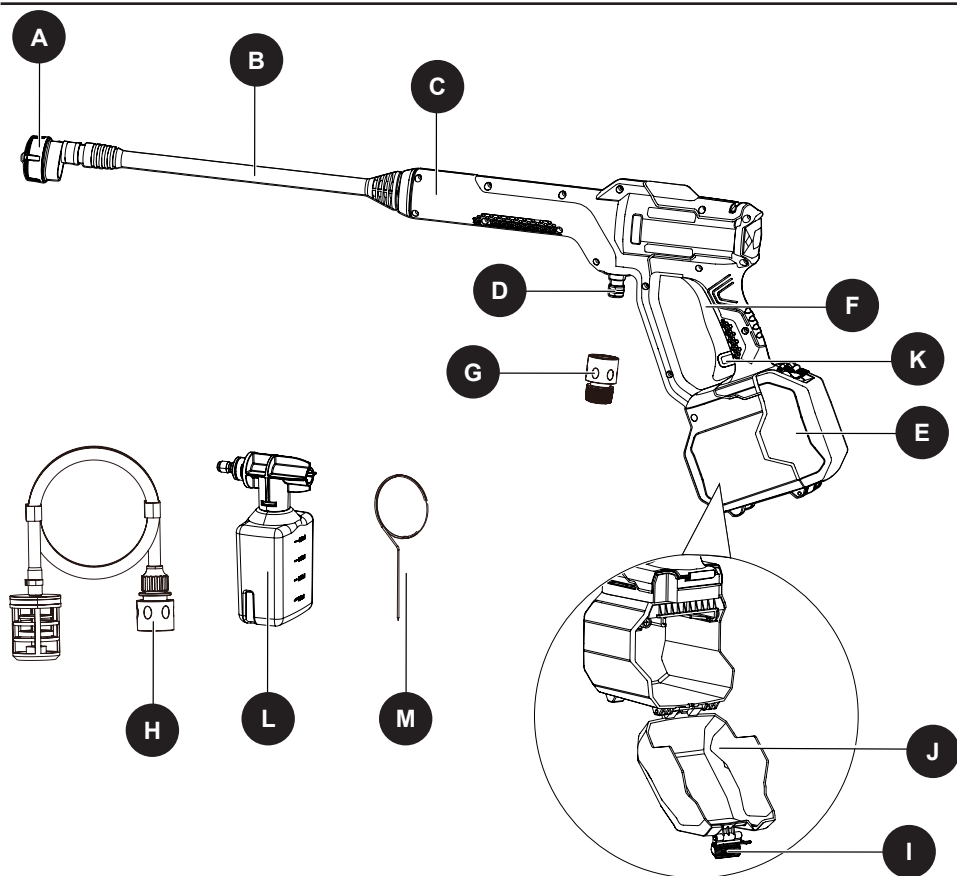
Product Specifications.....	2
Package Contents.....	3
Safety Information.....	4
Assembly Instructions.....	8
Operating Instructions.....	10
Care and Maintenance .....	13
Troubleshooting.....	14
Warranty.....	15
Replacement Parts List.....	16

## PRODUCT SPECIFICATIONS

---





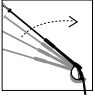


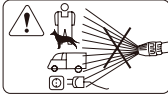



SPECIFICATIONS	SPECIFICATIONS
Voltage	24V DC
Max. Pounds Per Square Inch Pressure	700 PSI
Max. Gallons Per Minute	0.8 GPM
Maximum Inlet Water Temperature	104 °F (40 °C)

## PACKAGE CONTENTS






PART	DESCRIPTION	QUANTITY
A	5 in 1 Spray nozzle	1
B	Spray wand	1
C	Front handle	1
D	Water inlet	1
E	Battery compartment	1
F	Trigger	1
G	Garden hose adaptor	1

PART	DESCRIPTION	QUANTITY
H	Self-siphon hose	1
I	Hinge lock lever	1
J	Battery door	1
K	Lock-out button	1
L	Detergent tank	1
M	Nozzle cleaning tool	1

SYMBOLS	EXPLANATION
	<p>Carefully read and understand instructions before operating the product and follow all warnings and safety instructions.</p>
	<p>Do not expose the product to rain or moist conditions.</p>
	<p>Always wear safety goggles or safety glasses with side shields and, as necessary, a full-face shield when operating this product.</p>
	<p>To reduce the risk of high-pressure injection or injury, never direct a water stream towards people or pets or place any body part in the stream. Leaking hoses and fittings can also cause injury. Do not place hands near high-pressure stream.</p>
	<p>To reduce the risk of injury from kickback, hold the spray gun securely with both hands when the product is on.</p>
	<p>Failure to operate in dry conditions and neglecting safe practices can increase risk of electric shock.</p>
	<p>Burst hazard.</p>
	<p>Warning! Never aim the spray gun at humans, animals, the product, power supply, or any electrical products.</p>
	<p>The product is not suitable for connection to the drinking water mains without backflow preventer.</p>
	<p>Only set product on flat, horizontal surfaces. Never lift product during operation.</p>
	<p>Keep hands and feet away from the cleaning area while the product is running.</p>

## SAFETY INFORMATION

The following signal words and meanings are intended to explain the levels of risk associated with this product.

SYMBOL	SIGNAL	MEANING
	DANGER	Indicates an imminently hazardous situation, which, if not avoided, will result in death or serious injury.
	WARNING	Indicates a potentially hazardous situation, which, if not avoided, could result in death or serious injury.
	CAUTION	Indicates a potentially hazardous situation, which, if not avoided, may result in minor or moderate injury.
	CAUTION	(Without Safety Alert Symbol) Indicates a situation that may result in property damage.

## IMPORTANT SAFETY INSTRUCTIONS

### WARNING

Read all safety warnings and instructions. Failure to follow the warnings and instructions may result in electric shock, fire and/or serious injury.

- Read all the instructions before using the product.
- To reduce the risk of injury, close supervision is necessary when a product is used near children.
- Know how to stop the product and bleed pressures quickly. Be thoroughly familiar with the controls.
- Stay alert – watch what you are doing.
- Do not operate the product when fatigued or under the influence of alcohol or drugs.
- Keep operating area clear of all persons.
- Do not overreach or stand on unstable support. Keep good footing and balance at all times.
- Follow the maintenance instructions specified in the manual.
- For a Type 2 cleaning product: WARNING – Risk of Injection or Injury– Do Not Direct Discharge Stream At Persons.
- Prevent unintentional starting. Ensure the switch is in the off-position before connecting to battery pack, picking up or carrying the product. Carrying the product with your finger on the switch or energizing product that have the switch on invites accidents.
- Disconnect the battery pack from the product before making any adjustments, changing accessories, or storing product. Such preventive safety measures reduce the risk of starting the product accidentally.
- Recharge only with the charger specified by the manufacturer. A charger that is suitable for one type of battery pack may create a risk of fire when used with another battery pack.
- Use products only with specifically designated battery packs. Use of any other battery packs may create a risk of injury and fire.
- When battery pack is not in use, keep it away from other metal objects, like paper clips, coins, keys, nails, screws or other small metal objects, that can make a connection from one terminal to another. Shorting the battery terminals together may cause burns or a fire.
- Under abusive conditions, liquid may be ejected from the battery; avoid contact. If contact accidentally occurs, flush with water. If liquid contacts eyes, additionally seek medical help.
- Liquid ejected from the battery may cause irritation or burns. (This advice is considered correct for conventional NiMh, NiCd, lead acid and lithium-ion cell types. If this advice is incorrect for a cell design that differs from these, then the correct advice may be substituted.)

## SAFETY INFORMATION

- Do not use a battery pack or product that is damaged or modified. Damaged or modified batteries may exhibit unpredictable behavior resulting in fire explosion or risk of injury.
- Do not expose a battery pack or product to fire or excessive temperature. Exposure to fire or temperature above 130°C (265°F) may cause fire explosion.
- Follow all charging instructions and do not charge the battery pack or product outside of the temperature range specified in the instructions. Charging improperly or at temperatures outside of the specified range may damage the battery and increase the risk of fire.
- Use only KOBALT 24-volt batteries (KB 224-03, KB 224-06, KB 324-06, KB 424-03, KXB 424-03, KB 424A-06, KB 424-06, KB 524-06, KB 524-03, KB 624-03, KB 624-06, KXB 824-03, KB 824-06).
- Use only KOBALT 24-volt chargers (KRC 2445-03, KCH 2401-03, KDPC 124-03, KRC 2490-03, KCH 2411-03, KRC 2404-03, KCH 324-06, KCH 624-06, KCH 1024-06, KCH 1424-06).
- Have servicing performed by a qualified repair person using only identical replacement parts. This will ensure that the safety of the product is maintained.
- Do not modify or attempt to repair the product or the battery pack (as applicable) except as indicated in the instructions for use and care.

### SAVE THESE INSTRUCTIONS.

### THE RECOMMENDED AMBIENT TEMPERATURE RANGE:

ITEM	TEMPERATURE
Product storage	32°F – 104°F (0°C – 40°C)
Product operation	32°F – 104°F (0°C – 40°C)
Battery charging	39°F – 104°F (4°C – 40°C)
Charger operation	32°F – 104°F (0°C – 40°C)
Battery storage	32°F – 104°F (0°C – 40°C)
Battery discharging	32°F – 113°F (0°C – 45°C)

### PROPOSITION 65

This product contains a chemical known to the state of California to cause cancer, birth defects or other reproductive harm. Some dust created by power sanding, sawing, grinding, drilling, and other construction activities contains chemicals known to cause cancer, birth defects or other reproductive harm. Some examples of these chemicals are:

- Lead from lead-based paints;
- Crystalline silica from bricks and cement and other masonry products;
- Arsenic and chromium from chemically treated lumber.

Your risk of exposure to these chemicals varies depending on how often you do this type of work. To reduce your exposure to these chemicals, work in a well-ventilated area, and work with approved safety equipment, such as dust masks that are specially designed to filter out microscopic particles.

## SAFETY INFORMATION

---

### PREPARATION

---

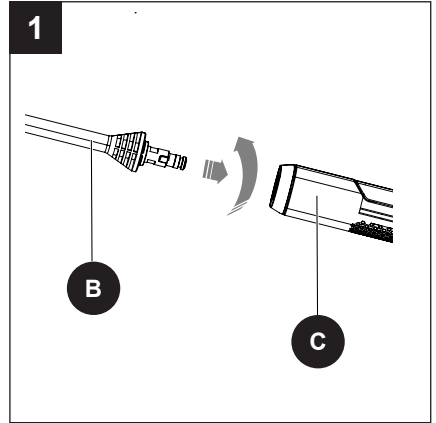
Before beginning assembly of product, make sure all parts are present. Compare parts with package contents list and hardware contents list. If any part is missing or damaged, do not attempt to assemble the product.

**Estimated Assembly Time: 1-2 minutes**

## ASSEMBLY INSTRUCTIONS

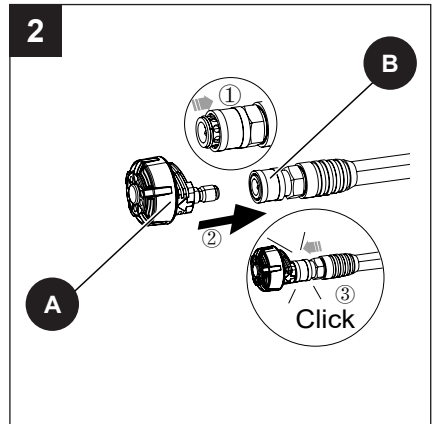
### 1. INSTALL THE SPRAY WAND

- Push the end of the spray wand (B) into the gun handle (C).
- Turn the spray wand (B) clockwise until the tabs lock into position.



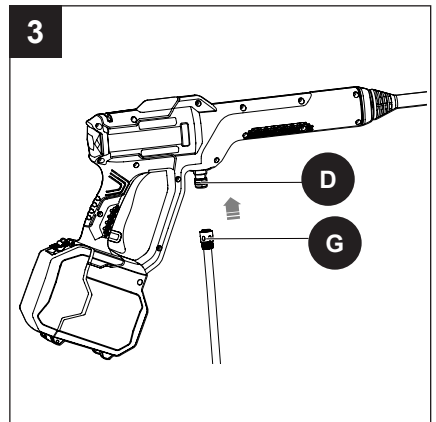
### 2. INSTALL THE SPRAY NOZZLE

- Pull back the quick-connect collar on the spray wand (B).
- Insert the spray tip (A) onto the spray wand (B).
- Release the quick-connect collar to attach the spray tip (A).
- Pull on spray tip (A) to ensure it is properly installed and does not pull out.



### 3. INSTALL THE SELF-SIPHON HOSE

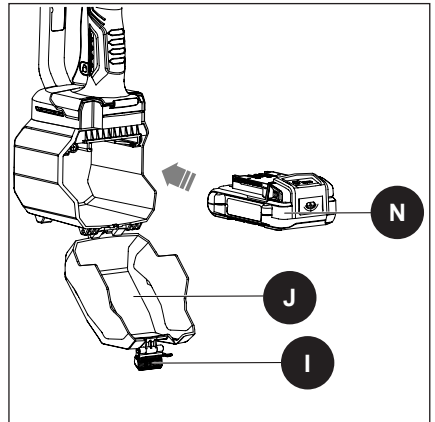
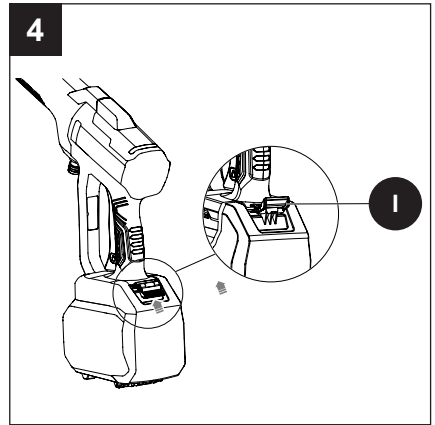
- Insert one end of the self-siphon hose (G) into the water inlet (D).



## ASSEMBLY INSTRUCTIONS

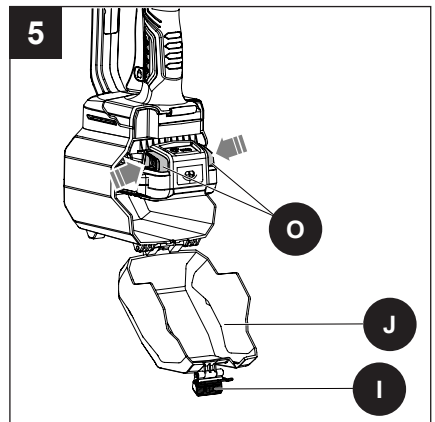
### 4. INSTALL THE BATTERY PACK

- Pull back on the hinge lock lever (I).
- Unhook the hinge (I) from the battery door (J).
- Open the battery door (J).
- Align the lift ribs on the battery pack (N) with the grooves in the battery compartment.
- Push the battery pack (N) into the battery compartment until the battery pack (N) locks into place.
- When you hear a click, the battery pack (N) is installed.
- Close the battery door (J) and lock the hinge (I).



### 5. REMOVE THE BATTERY PACK

- Pull back on the hinge lock lever (I).
- Unhook the hinge (I) from the battery door (J).
- Open the battery door (J).
- Push and hold the battery release button (O).
- Remove the battery pack (N) from the product.



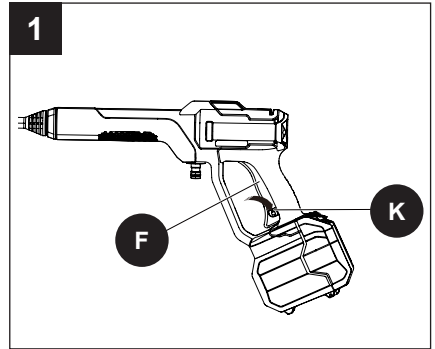
## OPERATING INSTRUCTIONS

### 1. USE THE SPRAY GUN

#### **⚠WARNING**

For safe control, keep your hands on the gun at all times.

- Keep pressing the lock-out button (K), pull and hold the spray gun trigger (F) to start the product.
- Release the lock-out button (K) and spray gun trigger (F) to stop water flow through the spray tip.



### 2. ADJUST THE SPRAY NOZZLE

#### **⚠WARNING**

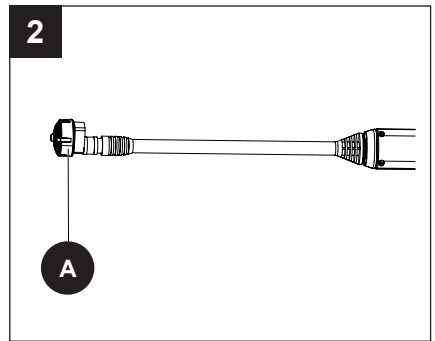
Before you adjust the spray nozzle:

- Pull the spray gun trigger to release water pressure.
- Stop the product.

#### **⚠WARNING**

Do not point the spray wand at your face or others'.

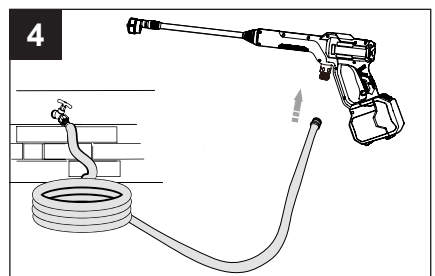
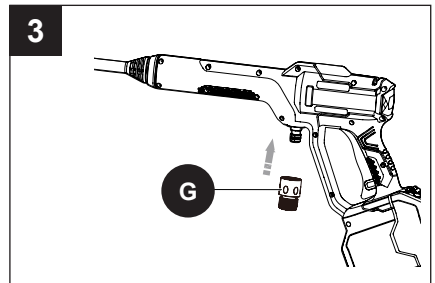
1. Rotate the spray nozzle to adjust the spray setting (A).



### 3. USING A GARDEN HOSE






The garden hose adaptor is used to connect the garden hose (not provided) to your product.

- Push the garden hose adaptor (G) onto the water inlet coupler until it is tight.
- Uncoil the garden hose.
- Install and tighten the end of the garden hose to the water inlet connector.
- Turn the water supply off.



## OPERATING INSTRUCTIONS

### NOZZLE TYPE

NOZZLE	APPLICATION
	<p>The 0-degree tip provides a straight line of spray. It provides the highest amount of pressure. It is best used for removing hard, stuck-on grime or dirt.</p>
	<p>The tip provides high versatility with its 15-degree angle tip. Referred to as the washing tip, because it provides adequate pressure to remove dirt from surfaces, but is designed to not damage many surfaces. This pressure washer tip is designed for “sweeping” foliage or debris given its wide angle. This tip is versatile due to its wide area of cleaning and strong pressure application.</p>
	<p>The tip provides high versatility with its 25-degree angle tip. Referred to as the washing tip, because it provides adequate pressure to remove dirt from surfaces, but is designed to not damage many surfaces. This pressure washer tip is designed for “sweeping” foliage or debris given its wide angle. This tip is versatile due to its wide area of cleaning and strong pressure application.</p>
	<p>The 40-degree tip, referred to as the “fan” tip creates the widest area of cleaning with relatively low pressure. This pressure washer tip is best used for light or delicate cleaning applications. It is recommended for light cleaning on wood decks and other soft or delicate surfaces.</p>
	<p>The shower spray tip is used for shower application. Shower is applied under low pressure high volume for optimum performance. Shower cannot be applied under high pressure with this product.</p>

## OPERATING INSTRUCTIONS

---

### APPLICATIONS

You may use this product for the purposes listed below:

- Cleaning boats, cars, trucks, motorcycles, outdoor furniture, grills, house siding, driveways, patios and decks.

### 3. DETERGENT ADDING AND USE

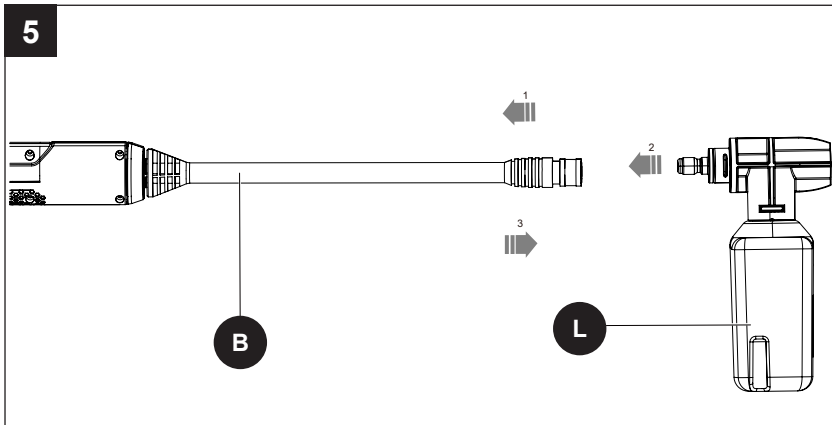
Use only detergents designed for pressure washers; household detergents, acids, alkaline, bleaches, solvents, flammable material, or industrial grade solution can damage spray nozzle. Many detergents may require mixing prior to use. Prepare cleaning solution as instructed on the solution bottle.

### SOAP APPLICATION

Soap is applied under low pressure high volume for optimum performance.

### TO ADD DETERGENT:

- Pour detergent in the detergent tank (L).
- Install the soap tank (L) to the spray wand (B).
- Start the pressure washer and spray the detergent on a dry surface using long, even, overlapping strokes. To prevent streaking, do not allow detergent to dry on the surface.



### **⚠** CAUTION

Use only approved pressure washer cleaners. Do not use bleach, chlorine, or any cleaners containing acids.

**NOTE:** Use a funnel, if needed, to prevent accidental spilling of the detergent outside the tank. If any detergent is spilled during the filling process, make sure the unit is cleaned and dried before proceeding.

## CARE AND MAINTENANCE

---

To promote longer life of the power cleaner:

- Do not run over the hose with vehicles or drag over sharp surfaces, as this could damage the hose and cause leaks.
- Run clean, fresh water through the kit, then turn off pressure washer and water supply.
- Depressurize by squeezing the gun trigger until all the water has been drained out of the Unit.
- Unit can now be disconnected safely for storage in a cool dark area, or to remove debris from individual parts.

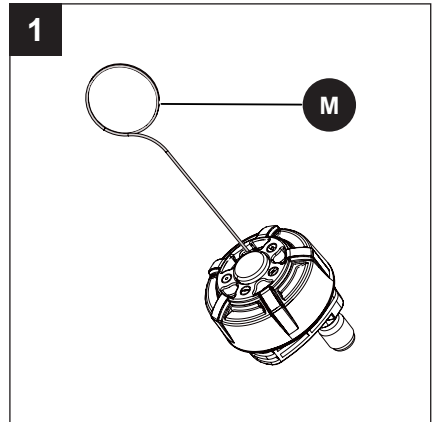
### **⚠**WARNING

Keep hose away from hot surfaces (like a muffler). If hose develops a leak, do not try to repair it.

REPLACE THE ENTIRE HOSE. Hose is for cold water pressure washers only. DO NOT use with hot water or steam service.

### 1. CLEAN THE SPRAY NOZZLE

- Use a cleaning tool to clean the spray nozzle.
- Flush and clean the unwanted materials out of the nozzle with the garden hose.
- Install the clean nozzle to the spray wand.



## TROUBLESHOOTING

PROBLEM	POSSIBLE CAUSE	CORRECTIVE ACTION
Gun and/or hose leaks.	Loose connection.	Tighten the connections.
	O-ring is missing or damaged.	Turn off and depressurize the unit. Disconnect, remove, and replace old o-ring.
Unit won't spray.	Power or water supply is not on.	Turn power or water supply on.
	Hose, gun, wand, or nozzle is clogged.	Consult troubleshooting list below for these specific parts and instructions.
Wand/Nozzle	Wand/nozzle is clogged or spraying pattern is uneven.	Turn off and depressurize unit. Remove wand/nozzle from gun outlet. Look through the opening in wand; you should see light through the nozzle end. If not, then reverse flush with air or water to dislodge debris.
Gun	Gun is clogged.	Turn off and depressurize unit. Remove wand from gun and gun from hose. Reverse flush the gun with air or water to dislodge debris.
Hose	Hose is clogged.	Turn off and depressurize unit. Remove gun from hose and hose from unit. Flush the hose with air or water to dislodge debris.
The product does not start.	The battery is not charged.	Charge the battery by following the procedures in the battery and charger manual.
	Battery is too cold.	Remove battery from unit. Place battery on charger and allow to charge for 10 minutes or until the changing light turns green. Remove from charger and install in unit for use.

## WARRANTY

---

### 5-YEAR LIMITED WARRANTY

This Kobalt pressure washer is warranted to the original purchaser from the original purchase date for five (5) years subject to the warranty coverage described herein.

This Kobalt pressure washer is warranted for the original user to be free from defects in material and workmanship.

If you believe that Kobalt pressure washer is defective at any time during the specified warranty period, simply call our warranty service (**888-356-2258**) along with proof of purchase.

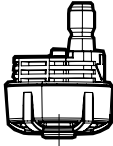
This warranty is void if: defects in materials or workmanship or damages result from repairs or alterations which have been made or attempted by others or the unauthorized use of nonconforming parts; the damage is due to normal wear, damage is due to abuse (including overloading of the tool beyond capacity), improper maintenance, neglect or accident; or the damage is due to the use of the tool after partial failure or use with improper accessories or unauthorized repair or alteration.

This warranty gives you specific legal rights, and you may also have other rights that vary from state to state.

Replacement parts are not covered under warranty.

## REPLACEMENT PARTS LIST

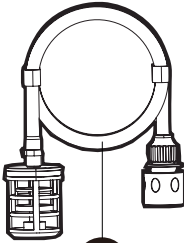
For replacement parts, call our customer service department at **888-356-2258**, 8 a.m. - 8 p.m., EST, Monday - Sunday. You could also contact us at [ascs@lowes.com](mailto:ascs@lowes.com).



A



B



H



L

PART	DESCRIPTION	PART #
A	Spray tip	R0214388-00
B	Gun Wand	R0214410-00
H	Self-siphon hose	R0203771-00
L	Detergent tank	R0203772-00

# KOBALT®

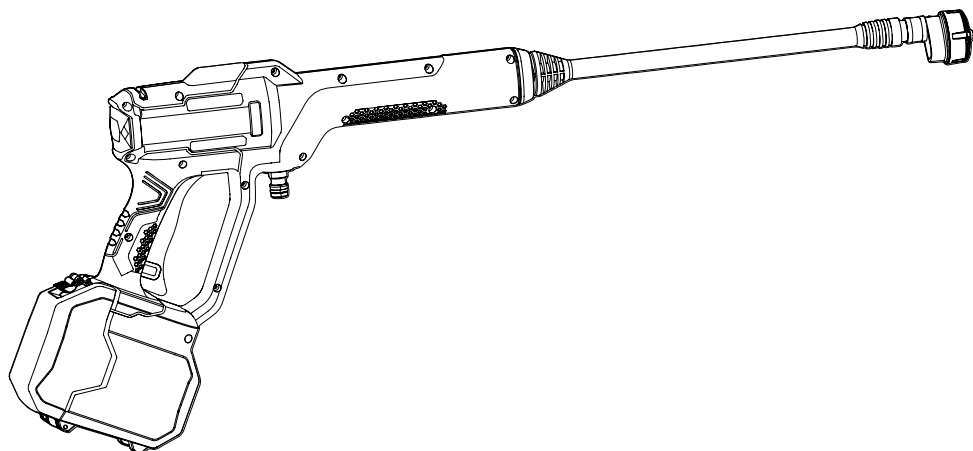
AR TÍTULO #6036654/7915901  
MODELO #KPC 724-06/KPC 3024-06

## LIMPIADORA ELÉCTRICA 700 PSI

Español p. 17

KOBALT y el diseño del logotipo son  
marcas comerciales o marcas registradas  
de LF, LLC. Todos los derechos reservados.

ADJUNTE SU RECIBO AQUÍ



Número de serie \_\_\_\_\_

Fecha de compra \_\_\_\_\_

Gracias por comprar este producto KOBALT.

¿Preguntas, problemas o piezas faltantes?

Antes de devolver, póngase en contacto con nosotros en:

**888-356-2258**, de lunes a domingo de 8 a.m. a 8 p.m., hora estándar del Este, o  
en [ascs@lowes.com](mailto:ascs@lowes.com).

DF25487

## TABLE DES MATIÈRES

---

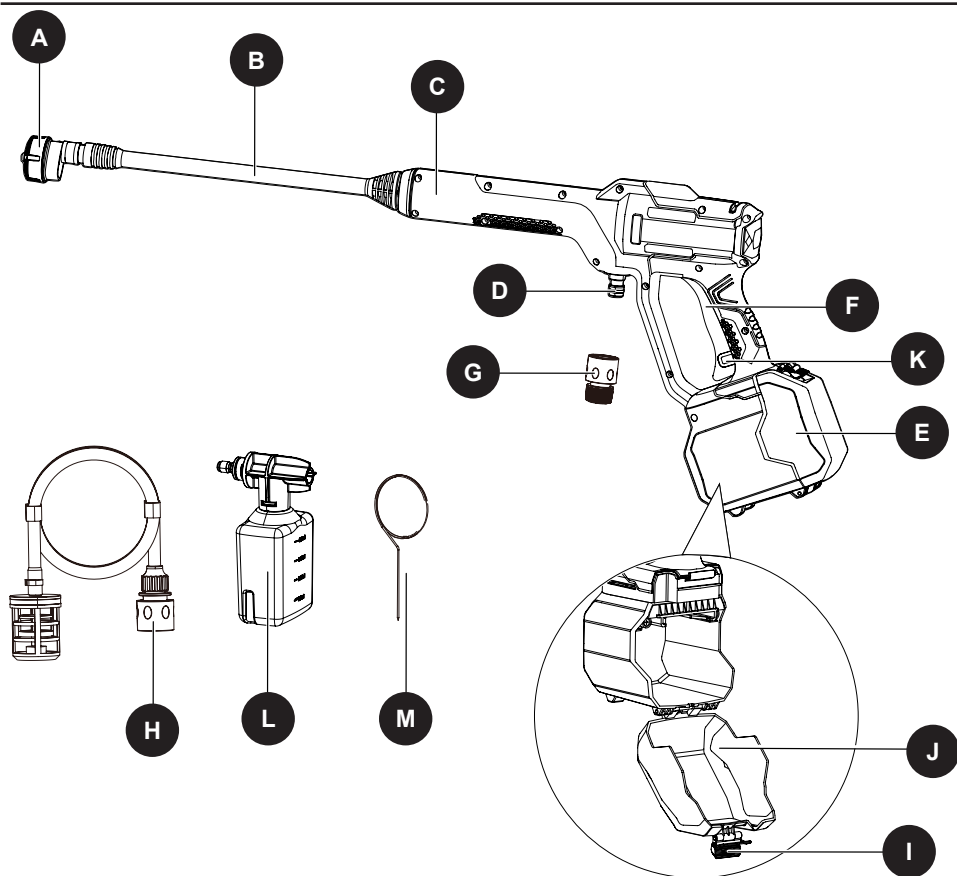
Especificaciones del producto.....	18
Contenido del paquete.....	19
Información de seguridad.....	20
Instrucciones de ensamblaje.....	24
Instrucciones de operación.....	26
Cuidado y mantenimiento.....	29
Solución de problemas.....	30
Garantía.....	31
Lista de piezas de repuesto.....	32

## ESPECIFICACIONES DEL PRODUCTO

---

ESPECIFICACIONES	ESPECIFICACIONES
Voltaje	24 V CC
Presión máxima de libras por pulgada cuadrada	700 PSI
Máximo de litros por minuto	0.8 L/min
Temperatura máxima del agua de entrada	104 °C (40 °F)

## CONTENIDO DEL PAQUETE






PIEZA	DESCRIPCIÓN	CANTIDAD	PIEZA	DESCRIPCIÓN	CANTIDAD
A	Boquilla de rociador 5 en 1	1	H	Manguera de autosifón	1
B	Vara del rociador	1	I	Palanca de bloqueo de la bisagra	1
C	Mango delantero	1	J	Tapa de las baterías	1
D	Entrada de agua	1	K	Botón de bloqueo	1
E	Compartimiento de las baterías	1	L	Tanque de detergente	1
F	Gatillo	1	M	Accesorio de limpieza de la boquilla	1
G	Adaptador para manguera para jardín	1			

## ▲ INFORMACIÓN DE SEGURIDAD

SÍMBOLOS	EXPLICACIÓN
	Lea atentamente y comprenda las instrucciones antes de utilizar el producto y siga todas las advertencias e instrucciones de seguridad.
	No exponga el producto a la lluvia o a condiciones de humedad.
	Siempre use gafas o lentes de seguridad con protecciones laterales y, según sea necesario, un protector facial que cubra todo el rostro cuando opere este producto.
	Para reducir el riesgo de inyección a alta presión o de lesiones, nunca dirija el chorro de agua hacia personas o animales domésticos ni coloque ninguna parte del cuerpo en el chorro. Las mangueras y conectores con fugas también pueden causar lesiones. No coloque las manos cerca del chorro de alta presión.
	Para reducir el riesgo de lesiones por contragolpe, sostenga la pistola rociadora de forma segura con ambas manos cuando el producto esté encendido.
	Si no se utiliza en condiciones secas y se descuidan las prácticas de seguridad, puede aumentar el riesgo de descarga eléctrica.
	Peligro de explosión.
	¡Advertencia! Nunca apunte la pistola rociadora hacia personas, animales, el producto, el suministro de electricidad o cualquier producto eléctrico.
	El producto no es adecuado para la conexión a la red de agua potable sin un dispositivo para evitar reflujos.
	Coloque el producto únicamente sobre superficies planas y horizontales. Nunca levante el producto durante el funcionamiento.
	Mantenga las manos y los pies alejados del área de limpieza mientras el producto esté en funcionamiento.

## INFORMACIÓN DE SEGURIDAD

Se usan las siguientes indicaciones y sus significados para explicar los niveles de riesgo asociados a este producto.

SÍMBOLO	INDICACIÓN	SIGNIFICADO
	PELIGRO	Indica una situación de peligro inminente que, de no evitarse, ocasionará la muerte o lesiones graves.
	ADVERTENCIA	Indica una situación potencialmente peligrosa que, de no evitarse, puede ocasionar la muerte o lesiones graves.
	PRECAUCIÓN	Indica una situación potencialmente peligrosa que, de no evitarse, puede ocasionar lesiones menores o moderadas.
	PRECAUCIÓN	(Sin símbolo de alerta de seguridad) Indica una situación que puede ocasionar daños materiales.

## INSTRUCCIONES IMPORTANTES DE SEGURIDAD

### ADVERTENCIA

Lea todas las advertencias de seguridad y las instrucciones. No seguir las advertencias y las instrucciones podría provocar descargas eléctricas, incendios o lesiones graves.

- Lea todas las instrucciones antes de usar el producto.
- Para reducir el riesgo de lesiones, es necesario supervisar de cerca cuando los niños estén cerca de un producto.
- Debe saber cómo detener el producto y descargar la presión rápidamente. Debe estar bien familiarizado con los controles.
- Manténgase alerta: preste atención a lo que hace.
- No opere el producto si se siente cansado o está bajo los efectos del alcohol o de drogas.
- Mantenga el área de funcionamiento libre de personas.
- No se extienda demasiado ni se pare sobre una superficie inestable. Mantenga una postura y un equilibrio adecuados en todo momento.
- Siga las instrucciones de mantenimiento especificadas en este manual.
- Para un producto de limpieza tipo 2: ADVERTENCIA: riesgo de inyección o lesiones: no dirija el chorro hacia las personas.
- Evite un arranque accidental. Asegúrese de que el interruptor esté en la posición de apagado antes de conectar la fuente o el paquete de baterías, levantar o transportar el producto. Transportar el producto con el dedo en el interruptor o enchufarlo con el interruptor encendido aumenta las posibilidades de accidentes.
- Desconecte el paquete de baterías del producto antes de realizar cualquier ajuste, cambiar accesorios o almacenarlo. Este tipo de medidas de seguridad preventivas reducen el riesgo de arrancar el producto accidentalmente.
- Recargue el paquete de baterías solo con el cargador especificado por el fabricante. Un cargador adecuado para un tipo de paquete de baterías puede crear un riesgo de incendio cuando se usa con otro paquete de baterías.
- Use productos solo con paquetes de baterías designados específicamente. El uso de cualquier otro paquete de baterías puede crear un riesgo de lesión e incendio.
- Cuando el paquete de baterías no esté en uso, aléjelo de objetos metálicos, como sujetapapeles, monedas, llaves, clavos, tornillos u otros objetos metálicos pequeños que pudieran crear una conexión entre los terminales. Es posible que conectar los terminales de la batería entre sí produzca quemaduras o un incendio.
- En condiciones de maltrato, es posible que salga líquido de la batería. Evite el contacto. Si se produce un contacto accidental, enjuague con agua. Si el líquido entra en contacto con los ojos, busque atención médica adicional.
- El líquido que sale de la batería puede provocar irritación o quemaduras. (Este consejo se considera correcto para tipos de batería NiMh, NiCd, plomo ácido e iones de litio. Si el consejo es incorrecto para un diseño de celda que difiere de estos, el consejo correcto puede utilizarse como sustituto).

## **▲ INFORMACIÓN DE SEGURIDAD**

- No use un paquete de baterías ni el producto si están dañados o modificados. Las baterías dañadas o modificadas pueden mostrar una conducta impredecible que podría provocar incendios, explosiones o riesgo de lesiones.
- No exponga el paquete de baterías ni el producto al fuego o a temperaturas excesivas. La exposición al fuego o a temperaturas por encima de los 130 °C (265 °F) puede causar una explosión con riesgo de incendio.
- Siga todas las instrucciones de carga y no cargue el paquete de baterías o el producto fuera del rango de temperatura especificado en las instrucciones. La carga incorrecta o a temperaturas fuera del rango especificado puede dañar la batería y aumentar el riesgo de incendio.
- Utilice únicamente baterías KOBALT de 24 voltios (KB 224-03, KB 224-06, KB 324-06, KB 424-03, KXB 424-03, KB 424A-06, KB 424-06, KB 524-06, KB 524-03, KB 624-03, KB 624-06, KXB 824-03, KB 824-06).
- Utilice únicamente cargadores KOBALT de 24 voltios (KRC 2445-03, KCH 2401-03, KDPC 124-03, KRC 2490-03, KCH 2411-03, KRC 2404-03, KCH 324-06, KCH 624-06, KCH 1024-06, KCH 1424-06).
- Haga reparar el producto por una persona calificada que utilice solo piezas de repuesto idénticas. Esto mantendrá la seguridad del producto.
- No modifique ni intente reparar el producto ni el paquete de baterías (según corresponda) excepto como se indique en las instrucciones para uso y cuidado.

### **GUARDE ESTAS INSTRUCCIONES.**

#### **EL RANGO DE TEMPERATURA AMBIENTE RECOMENDADO:**

<b>ARTÍCULO</b>	<b>TEMPERATURA</b>
Almacenamiento del producto	0 °C a 40 °C (32 °F a 104 °F)
Operación del producto	0 °C a 40 °C (32 °F a 104 °F)
Carga de la batería	4 °C a 40 °C (39 °F a 104 °F)
Operación del cargador	0 °C a 40 °C (32 °F a 104 °F)
Almacenamiento de la batería	0 °C a 40 °C (32 °F a 104 °F)
Descarga de la batería	0 °C a 45 °C (32 °F a 113 °F)

#### **PROPUESTA 65**

Parte del polvo causado por el lijado eléctrico, el serruchado, la trituración, el taladrado y otras actividades de la construcción contienen productos químicos que causan cáncer, defectos congénitos u otros daños en el aparato reproductivo. Algunos ejemplos de estos productos químicos son:

- Plomo de pinturas a base de plomo.
- Sílice cristalina de ladrillos, cemento y otros productos de mampostería.
- Arsénico y cromo de madera tratada con químicos.

El riesgo que corre debido a la exposición a estos productos químicos varía según la frecuencia con que realiza este tipo de trabajo. Para reducir su exposición a estos productos químicos, trabaje en un área bien ventilada y utilice un equipo de seguridad aprobado, como las mascarillas antipolvo especialmente diseñadas para filtrar estas partículas microscópicas.

## INFORMACIÓN DE SEGURIDAD

---

### PREPARACIÓN

---

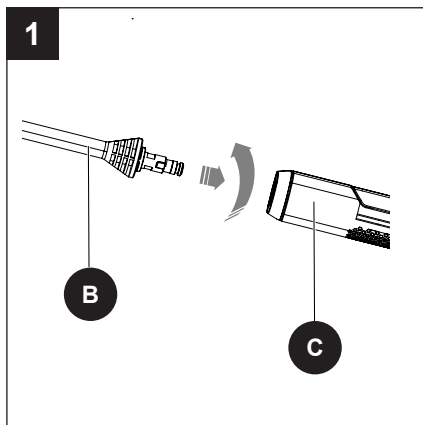
Antes de comenzar a ensamblar el producto, asegúrese de tener todas las piezas. Compare las piezas con la lista del contenido del paquete y la lista de aditamentos. No intente ensamblar el producto si falta alguna pieza o si alguna está dañada.

**Tiempo estimado de ensamblaje: 1 a 2 minutos.**

## INSTRUCCIONES DE ENSAMBLAJE

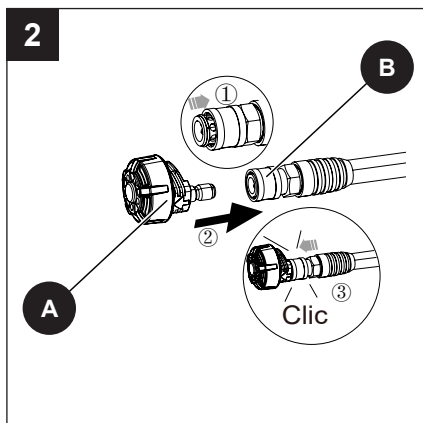
### 1. INSTALE LA VARA DEL ROCIADOR

- Empuje el extremo de la vara del rociador (B) en el mango de la pistola (C).
- Gire la vara del rociador (B) en dirección de las manecillas del reloj hasta que las lengüetas se bloqueen en su posición.



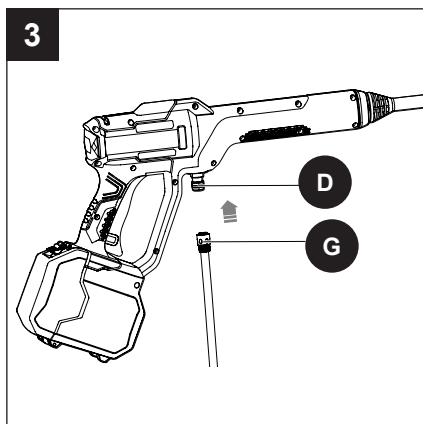
### 2. INSTALE LA BOQUILLA DE ROCIADO

- Jale del collar de conexión rápida en la vara del rociador (B).
- Inserte la punta de rociado (A) en la vara del rociador (B).
- Suelte el collar de conexión rápida para colocar la punta de rociado (A).
- Jale de la punta de rociado (A) para asegurarse de que esté correctamente instalada y no se salga.



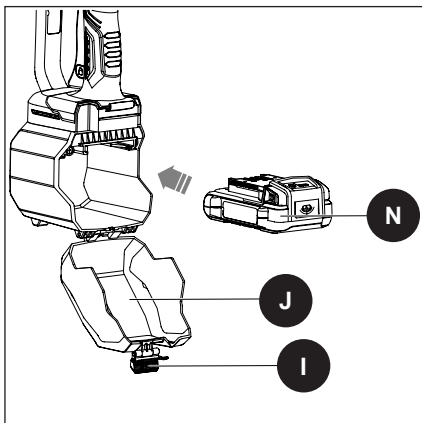
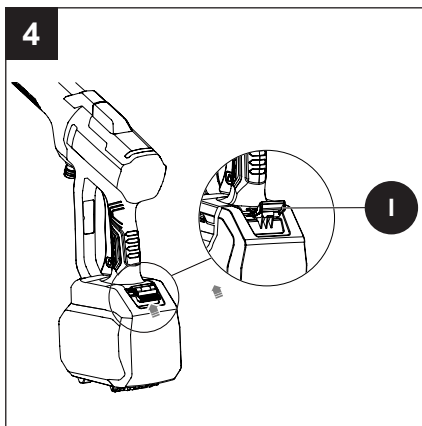
### 3. INSTALE LA MANGUERA AUTOSIFÓN

- Inserte un extremo de la manguera de autosifón (G) en la entrada de agua (D).



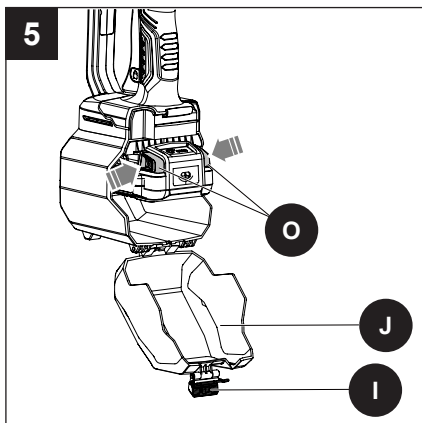
### 4. INSTALE EL PAQUETE DE BATERÍAS

- Jale hacia atrás de la palanca de bloqueo de la bisagra (I).
- Desenganche la bisagra (I) de la puerta de la batería (J).
- Abra la tapa de las baterías (J).
- Alinee las secciones de elevación en el paquete de baterías (N) con las ranuras en el compartimiento de la batería.
- Empuje el paquete de baterías (N) en el compartimiento de la batería hasta que el paquete de baterías (N) encaje en su lugar.
- Cuando escuche un clic, el paquete de baterías (N) está instalado.
- Cierre la puerta de la batería (J) y bloquee la bisagra (I).



### 5. RETIRAR LA BATERÍA

- Tire hacia atrás de la palanca de bloqueo de la bisagra (I).
- Desenganche la bisagra (I) de la puerta de la batería (J).
- Abra la puerta de la batería (J).
- Mantenga presionado el botón de liberación de la batería (O).
- Retire el paquete de baterías (N) del producto.



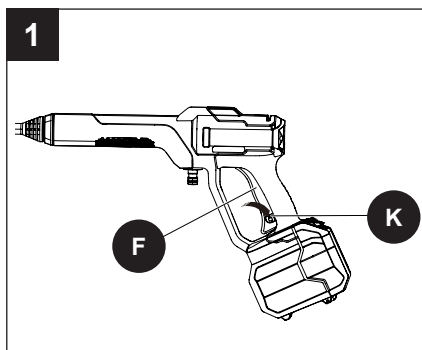
## INSTRUCCIONES DE OPERACIÓN

### 1. USO DE LA PISTOLA ROCIADORA

#### **⚠ADVERTENCIA**

Para un control seguro, mantenga las manos en la pistola en todo momento.

- Siga presionando el botón de bloqueo (K), mantenga presionado el gatillo de la pistola rociadora (F) para arrancar el producto.
- Suelte el botón de bloqueo (K) y el gatillo de la pistola rociadora (F) para detener el flujo de agua a través de la punta de rociado.



### 2. AJUSTE LA BOQUILLA DE ROCIADO

#### **⚠ADVERTENCIA**

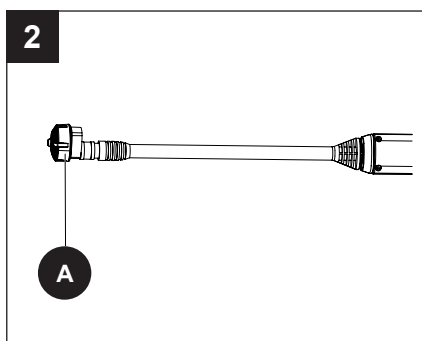
Antes de ajustar la boquilla de rociado :

- Apriete el gatillo de la pistola rociadora para liberar la presión del agua.
- Detenga el producto.

#### **⚠ADVERTENCIA**

No apunte la vara del rociador a su cara ni a la de otras personas.

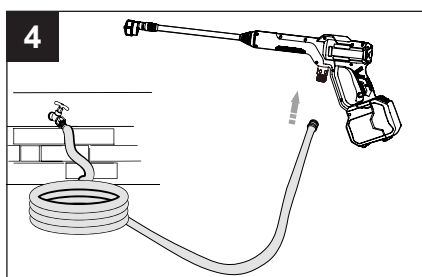
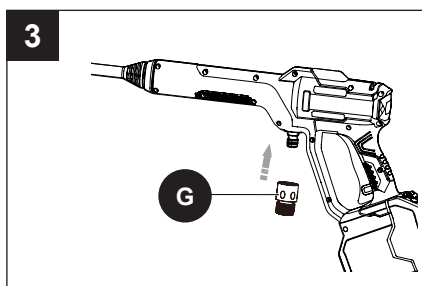
1. Gire la boquilla de rociado para ajustar la configuración de chorro (A).



### 3. USO DE UNA MANGUERA PARA JARDÍN

El adaptador de manguera para jardín se utiliza para conectar la manguera para jardín (no incluida) a su producto.

- Empuje el adaptador de la manguera para jardín (G) sobre el acoplador de entrada de agua hasta que quede bien ajustado.
- Desenrolle la manguera para jardín.
- Instale y apriete el extremo de la manguera para jardín al conector de entrada de agua.
- Cierre el suministro de agua.



## INSTRUCCIONES DE OPERACIÓN

### TIPO DE BOQUILLA

AJUSTE DE ROCIADO	APLICACIÓN
 0°	La punta de 0 grados proporciona una línea recta de rociado. Proporciona la mayor cantidad de presión. Se utiliza mejor para eliminar suciedad o mugre dura y adherida.
 15°	La punta proporciona una gran versatilidad con su punta en ángulo de 15 grados. Conocida como la punta de lavado, porque proporciona la presión suficiente para eliminar la suciedad de las superficies, pero está diseñada para no dañar muchas superficies. Esta punta para equipo de lavado con agua a presión está diseñada para "barrer" el follaje o la suciedad debido a su amplio ángulo. Esta punta es versátil gracias a su amplia área de limpieza y aplicación de fuerte presión.
 25°	La punta proporciona una gran versatilidad con su punta en ángulo de 25 grados. Conocida como la punta de lavado, porque proporciona la presión suficiente para eliminar la suciedad de las superficies, pero está diseñada para no dañar muchas superficies. Esta punta para equipo de lavado con agua a presión está diseñada para "barrer" el follaje o la suciedad debido a su amplio ángulo. Esta punta es versátil gracias a su amplia área de limpieza y aplicación de fuerte presión.
 40°	La punta de 40 grados, conocida como punta de "abanico", crea el área más amplia de limpieza con una presión relativamente baja. Esta punta para equipo de lavado con agua a presión se usa mejor para aplicaciones de limpieza ligeras o delicadas. Se recomienda para una limpieza ligera en terrazas de madera y otras superficies suaves o delicadas.
 SHOWER	La punta de rociado de ducha se utiliza para la aplicación de ducha. La ducha se aplica con un alto volumen a baja presión para un rendimiento óptimo. No se puede aplicar el rocío tipo ducha a alta presión con este producto.

## INSTRUCCIONES DE OPERACIÓN

### APLICACIONES

Puede usar este producto para los fines indicados a continuación:

- Limpieza de botes, automóviles, camiones, motocicletas, muebles para exteriores, parrillas, paneles de revestimiento de casas, entradas para vehículos, patios y terrazas.

### 3. ADICIÓN DE DETERGENTE Y USO

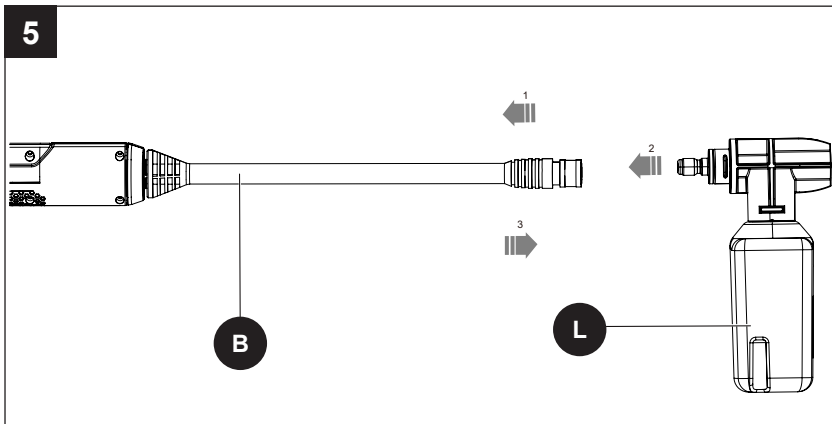
Utilice únicamente detergentes diseñados para equipos de lavado con agua a presión; los detergentes domésticos, ácidos, alcalinos, blanqueadores, solventes, materiales inflamables o soluciones de grado industrial pueden dañar la boquilla de rociado. Es posible que muchos detergentes requieran mezclarse antes de su uso. Prepare la solución de limpieza como se indica en la botella de solución.

### APLICACIÓN DE JABÓN

El jabón se aplica a baja presión y con alto volumen para obtener un rendimiento óptimo.

### PARA AGREGAR DETERGENTE:

- Vierta detergente en el tanque de detergente (L).
- Instale el tanque de jabón (L) en la vara del rociador (B).
- Encienda el equipo de lavado con agua a presión y rocíe el detergente sobre una superficie seca con pasadas largas, uniformes y superpuestas. Para evitar dejar vetas, no permita que el detergente se seque en la superficie.



### ⚠PRECAUCIÓN

Utilice únicamente limpiadores para equipos de lavado con agua a presión. No use blanqueador, cloro ni limpiadores que contengan ácidos.

**NOTA:** si es necesario, utilice un embudo para evitar que el detergente se derrame accidentalmente fuera del tanque. Si se derrama detergente durante el proceso de llenado, asegúrese de que la unidad esté limpia y seca antes de continuar.

## CUIDADO Y MANTENIMIENTO

Para promover una vida útil más prolongada de la limpiadora eléctrica:

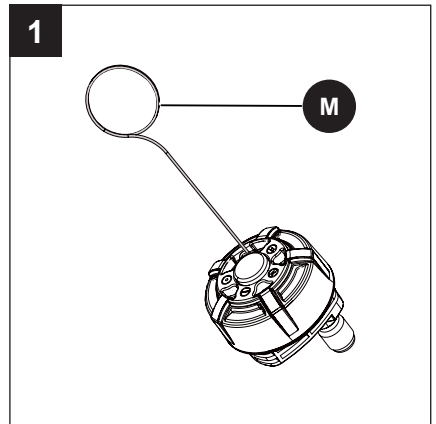
- No pise la manguera con vehículos ni la arrastre sobre superficies puntiagudas, ya que esto podría dañar la manguera y causar fugas.
- Haga circular agua limpia y fresca por el kit, y luego apague el equipo de lavado con agua a presión y corte el suministro de agua.
- Despresurice la unidad apretando el gatillo de la pistola hasta que se haya drenado toda la unidad.
- Ahora puede desconectar la unidad de manera segura para almacenarla en un área seca y oscura o para retirar los desechos de las piezas individuales.

### **⚠** ADVERTENCIA

Mantenga la manguera alejada de superficies calientes (como un silenciador). Si la manguera presenta una fuga, no intente repararla. **SUSTITUYA TODA LA MANGUERA.** La manguera es solo para equipos de lavado con agua a presión de agua fría. **NO** lo use con agua caliente o servicio de vapor.

#### 1. LIMPIE LA BOQUILLA ROCIADORA

- Use una herramienta de limpieza para limpiar la boquilla rociadora.
- Lave y elimine los materiales no deseados de la punta de rociado con la manguera para jardín.
- Instale la boquilla limpia en la vara del rociador.



## SOLUCIÓN DE PROBLEMAS

PROBLEMA	CAUSA POSIBLE	ACCIÓN CORRECTIVA
Hay fugas en la pistola y/o manguera.	La conexión está floja.	Apriete las conexiones.
	La junta tórica no está colocada o está dañada.	Apague y despresurice la unidad. Desconecte, retire y reemplace la junta tórica vieja.
La unidad no rocía.	La alimentación o el suministro de agua están cortados.	Active la alimentación o el suministro de agua.
	La manguera, la pistola, la vara o la boquilla están obstruidas.	Consulte la lista de solución de problemas anterior para estas piezas e instrucciones específicas.
Vara/Boquilla	La vara/boquilla está obstruida o el patrón de rociado es disparejo.	Apague y despresurice la unidad. Retire la vara/boquilla de la salida de la pistola. Mire a través de la abertura de la vara; debe ver luz a través del extremo de la boquilla. Si no es así, enjuague en sentido inverso con aire o agua para desprender la suciedad.
Pistola	La pistola está obstruida.	Apague y despresurice la unidad. Retire la vara de la pistola y la pistola de la manguera. Enjuague la pistola en sentido inverso con aire o agua para desprender la suciedad.
Manguera	La manguera está obstruida.	Apague y despresurice la unidad. Retire la vara de la manguera y la manguera de la unidad. Enjuague la manguera en sentido inverso con aire o agua para desprender la suciedad.
El producto no arranca.	La batería no está cargada.	Cargue la batería siguiendo los procedimientos del manual de la batería y el cargador.
	La batería está demasiado fría.	Retire la batería de la unidad. Coloque la batería en el cargador y deje que se cargue durante 10 minutos o hasta que la luz cambiante pase a color verde. Retire del cargador e instálelo en la unidad para su uso.

## GARANTÍA

---

### GARANTÍA DE REPARACIÓN DE 5 AÑOS

Este equipo de lavado con agua a presión Kobalt está garantizado para el comprador original desde la fecha de compra original durante cinco (5) años y está sujeto a la cobertura de garantía que se describe en el presente.

Este equipo de lavado con agua a presión Kobalt tiene una garantía para el usuario original contra defectos en los materiales y la mano de obra.

Si cree que el equipo de lavado con agua a presión Kobalt está defectuoso en cualquier momento durante el período de garantía especificado, simplemente llame a nuestro servicio de garantía (**888-356-2258**) junto con el comprobante de compra.

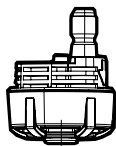
Esta garantía es nula si: los defectos en los materiales o la mano de obra o los daños han sido causados por reparaciones o modificaciones hechas o que se hayan intentado hacer por parte de terceros o el uso no autorizado de piezas incompatibles; el daño es debido al desgaste normal; el daño es debido al abuso (lo que incluye la sobrecarga de la herramienta por encima de su capacidad), mantenimiento inadecuado, negligencia o accidente; o el daño es debido al uso de la herramienta después de una falla parcial, el uso con accesorios inadecuados o reparaciones o alteraciones no autorizadas.

Esta garantía le concede derechos legales específicos y usted pudiera tener además otros derechos que varían de un estado a otro.

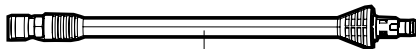
Las piezas de repuesto no están cubiertas por la garantía.

## LISTA DE PIEZAS DE REPUESTO

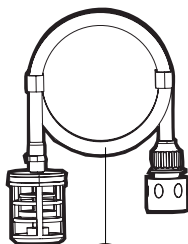
Para obtener piezas de repuesto, llame a nuestro Departamento de Servicio al Cliente al **888-356-2258**, de lunes a domingo de 8 a.m. a 8 p.m., hora estándar del Este. También puede ponerse en contacto con nosotros a través de [ascs@lowes.com](mailto:ascs@lowes.com).



A



B



H



L

PIEZA	DESCRIPCIÓN	# DE PIEZA
A	Boquilla rociadora	R0214388-00
B	Vara de la pistola	R0214410-00
H	Manguera de autosifón	R0203771-00
L	Depósito del detergente	R0203772-00







Rev B



P0807047-02