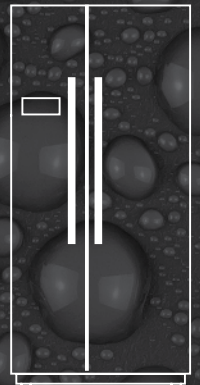


Side by Side Refrigeration

CARE & USE



Australians love
a Kelvinator



Congratulations

Congratulations and thank you for choosing our refrigerator. We are sure you will find your new refrigerator a pleasure to use. Before you use the refrigerator, we recommend that you read through the entire user manual, which provides the description of the refrigerator and its functions.

To avoid the risks that are always present when you use an electric appliance, it is important that the refrigerator is installed correctly and that you read the safety instructions carefully to avoid misuse and hazards.

We recommend that you keep this instruction booklet for future reference and pass it on to any future owners.

After unpacking the refrigerator please check it is not damaged. If in doubt, do not use the refrigerator but contact your local Electrolux Customer Care Centre.

Meanings of symbols used in this manual are shown below:



warning

This symbol indicates information concerning your personal safety



caution

This symbol indicates information on how to avoid damaging the appliance



tips and information

This symbol indicates tips and information about use of the appliance



environmental tip

This symbol indicates tips and information about economical and ecological use of the appliance



This symbol indicates never to do this



This symbol indicates always do this

Conditions of use

This appliance is designed and intended to be used in normal domestic applications only.

Contents

Important safety instructions	3
Installing your new refrigerator	4
Using your refrigerator	5
Refrigerator features	6
Using the control panel	7
Bins and shelves	8
Cleaning your refrigerator	9
Energy consumption	9
Troubleshooting	10
Warranty	11

R600a refrigerant warning

Warning: risk of fire/flammable liquid

This appliance contains flammable R600a refrigerant. Avoid safety hazards by carefully installing, handling, servicing and disposing of this appliance.

- Ensure that the tubing of the refrigerant circuit is not damaged during transportation and installation.
- Leaking refrigerant may cause eye injuries or ignite.
- The room for installing appliance must be at least 1m³ per 8g of refrigerant. The amount of refrigerant in the appliance can be found on the rating plate inside the appliance.
- If you are unsure of the refrigerant check the rating plate inside the refrigerator compartment.
- It is hazardous for anyone other than an Authorised Service Person to service this appliance. In Queensland Australia the authorised service person MUST hold a Gas Work Authorisation for hydrocarbon refrigerants to carry out servicing or repairs which involve the removal of covers.
- Keep ventilation openings in the appliance enclosure or in the built-in structure, clear of obstruction.

Kelvinator quick start guide

1. Ensure appliance is on a flat surface.
2. Leave standing in stable upright position for 2 hours prior to turning 'on'.
3. Plug into power socket and turn on.
4. Temperature controls are pre-set to 5°C and -18°C adjust as required.
5. Leave to run for 2 – 3 hours before storing food.

For optimum usage, safety information and handy hints please read full document.



environmental tip

Information on disposal for users

- Most of the packing materials are recyclable. Please dispose of those materials through your local recycling depot or by placing them in appropriate collection containers.
- If you wish to discard this refrigerator, please contact your local authorities and ask for the correct method of disposal.
- Local authorities will have the latest information regarding safe disposal of the product.
- Incorrect disposal may expose the user to injury from sharp objects, flammable gasses or cause environmental damage.
- Refrigerant gasses within the unit should only be discharged by qualified persons. A licence may be required by your local authorities to discharge or reclaim the refrigerant gasses. Incorrect discharge of gasses may expose the user to injury from flammable gasses or cause environmental damage.

Important safety instructions

- If pressurised aerosol containers bear the word 'flammable' and/or a small flame symbol, do not store them inside any refrigerator or freezer. If you do so you may cause an explosion.
- This appliance is not intended for use by persons (including children) with reduced physical, sensory or mental capabilities, or lack of experience and knowledge, unless they have been given supervision or instruction concerning use of the appliance by a person responsible for their safety.
- Children should be supervised to ensure that they do not play with the appliance.
- When you dispose of your old refrigerators and freezers, remove any doors. Children can suffocate if they get trapped inside.
- This appliance contains insulation formed with flammable blowing gases. Avoid safety hazards by carefully disposing of this appliance.
- Never store fizzy drinks in the freezer compartment.
- Never lick icy foods when they first come out of the freezer. This can freeze-burn your lips and mouth.



Important safety instructions



warning

- ⊗ The appliance must be plugged into its own dedicated 220-240V, 50Hz AC electrical outlet.
- ⊗ Ensure that the electric outlet is properly earthed to ground. Consult a qualified electrician if you are unsure.
- ⊗ The plug must be accessible when the appliance is in position.
- ⊗ Do not use an extension cord or adapter plug.
- ⊗ If the power cord is damaged, it must be replaced by the manufacturer, its service agent or similarly qualified persons to avoid a hazard.
- ⊗ Unplug the appliance before cleaning and before changing the light bulb to avoid electric shock.
- ⊗ Never unplug the appliance by pulling on the power cord. Always grip the plug firmly, and pull straight out of the receptacle to prevent damaging the power cord.
- ⊗ Choose a location that is not too cold – the temperature should be above 10°C.
- ⊗ Put the appliance in a dry place, avoiding areas of high moisture or humidity.
- ⊗ Don't put the appliance in frosty or unprotected areas, for example in a garage or on a verandah.
- ⊗ Don't put the appliance in direct sunlight.
- ⊗ Don't put the appliance near stoves, fires or heaters.
- ⊗ Do not use mechanical devices or other means to accelerate the defrosting process, other than those recommended by the manufacturer.
- ⊗ Do not damage the refrigerant circuit.
- ⊗ Do not use electrical appliances inside the food storage compartments of the appliance unless they are of a type recommended by the manufacturer.
- ⊗ Never use electric heaters or dryers to defrost the freezer because you can receive an electric shock.
- ⊗ Do not store explosive substances such as aerosol cans with a flammable propellant in this appliance.
- ⊗ Never try to repair the refrigerator yourself, only use a qualified or authorised service person for repairs.

Installing your new refrigerator

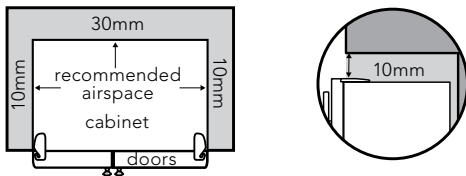
When correctly installed, your appliance should:

- Have adequate clearance to the back and sides for air circulation.
- Be aligned to the surrounding cupboards.
- Have doors that will self-close from a partially open position.
- Have the stability foot in place (see diagram on page 4) to prevent the appliance falling forward when a door with heavy food load is opened.

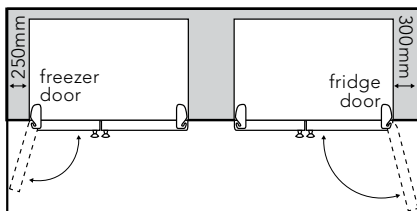
Clearance around your refrigerator

Your Side by Side Refrigerator can be installed between cupboards or fixtures but you must allow for the following spaces around the cabinet.

1. Allow a minimum of 10mm clearance on both sides.
2. Allow 30mm clearance at the back of the refrigerator.
3. Allow a minimum of 10mm clearance above hinge covers.



4. Allow a 250 or 300mm clearance on the hinge side of the doors, if you place the refrigerator next to the wall. This will make cleaning easier.



5. Make sure that cupboards or fixtures do not stick out further than the refrigerator cabinet.

Note: Refrigerator doors on all models are designed to sit proud of cabinetry (not flush).

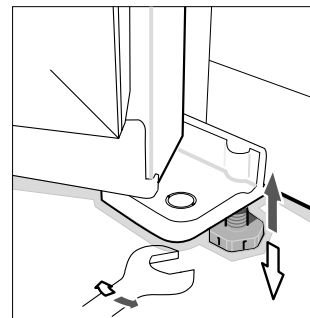
The appliance should arrive with the stability foot wound fully up so it will not interfere with the operation of the rollers (see diagram in Step 3 below).



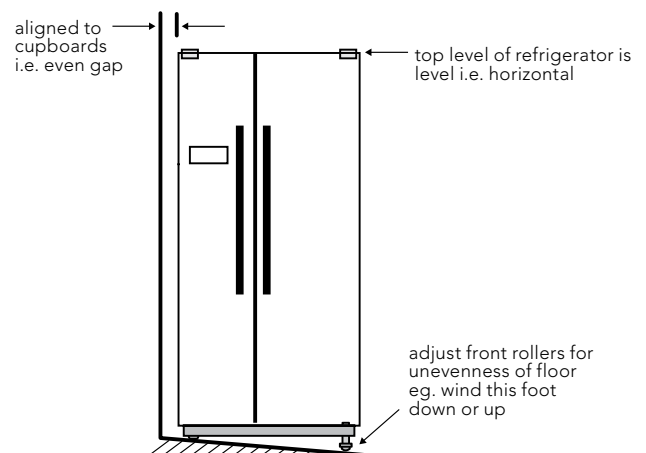
caution

The rollers are designed for forward or backward movement only. They are not castors. Moving the refrigerator sideways may damage your floor and the rollers.

1. Roll the refrigerator into its final position.
2. The top of the refrigerator should be tilted back by approximately 20mm. This will allow the doors to self-close providing a consistent door seal and stability when the doors are open.
3. When you have the appliance in its final position, it needs to be stabilised. Wind the stability foot down to the floor until it just makes contact with the floor. Whenever you need to move the appliance, be sure to wind the foot back up so that the appliance can roll freely and be sure to reset it when reinstalling.



4. Check the alignment of the refrigerator to the surrounding cupboards. The top of the refrigerator should be level from side to side (see diagram below). If you need to adjust the level, use the adjustable rollers as discussed in Step 3.



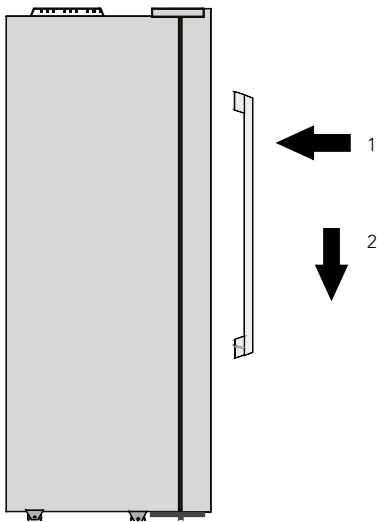
Installing your new refrigerator

5. If the refrigerator now rocks from one corner to the opposite rear corner, this means that the floor is uneven; you will need to put some packing under one of the rear rollers. You could use thin pieces of solid material, such as thin board, vinyl floor tiles or laminate. Place the packing so that it will sit under one of the rear rollers when the refrigerator is rolled into position.
6. You may now need to fine-tune the installation by repeating Steps 3, 4 and 5.
7. Whenever you need to move the refrigerator, be sure to wind the foot back up so that the refrigerator can roll freely.
8. Clean your refrigerator thoroughly following the instructions on page 9 and wipe off any dust that has accumulated during shipping.
9. Plug the refrigerator into the power point. Don't use a double adaptor. If you need to roll the refrigerator out to get at the power point, remember to raise the stability foot before you do so.
10. We recommend that you let your refrigerator run for two to three hours before you put any food in it. This will allow you to check that it is operating properly.

Fitting the handles

To install the handle, insert the handle into the holes in the door (direction 1), then pull down in direction 2.

To remove pull up then off.



Your new refrigerator has been supplied with protective plastic film on the doors and cabinet, you can choose to remove this film as needed.

Congratulations! You have successfully installed your new refrigerator.



caution

Keep ventilation openings, in the appliance enclosure or in the built-in structure clear of obstruction.

Using your refrigerator

Refrigerator Operation

The refrigerator transfers heat from food placed inside the appliance to the outside air.

This process makes the rear, the sides and the area adjacent to the doors, particularly at initial start up, feel warm to hot, this is normal.

There is a cooling coil located behind the rear wall of the cabinet. This coil cools and removes moisture from the air. A fan then circulates cold, dry air throughout the cabinet.

This air circulation means that foods are refrigerated far more quickly than in refrigerators where the air remains relatively static.

Avoid placing food against air outlets as this will affect air circulation.

A light frosting will occasionally occur on the cold interior of the freezer when the door is opened frequently. This is normal and will disappear after a few days in most climates.

Make sure you fully close the freezer door after you load or remove food. If the door is left partly open, a heavy frost will coat the inside of the freezer. If a frost develops, remove it. Take care to properly close the door and the frost will not reoccur.

Your new energy efficient appliance uses a high-speed compressor and other energy efficient components that may produce different noises to your old appliance.

These sounds are normal and include:

- compressor running noise.
- air movement noise from the small fan motor.
- occasional gurgling, similar to water boiling.
- a popping noise, heard during automatic defrosting.
- a clicking noise, just prior to the compressor starting up.

These noises are normal and not cause for alarm.

Temperature Control

The factory default settings are;

Refrigerator 5°C

Freezer -18°C

If you want to change the temperature, follow the instructions in the section about the user interface for your model. Ensure that you make only small adjustments and wait 24 hours to see if it's correct to your liking.

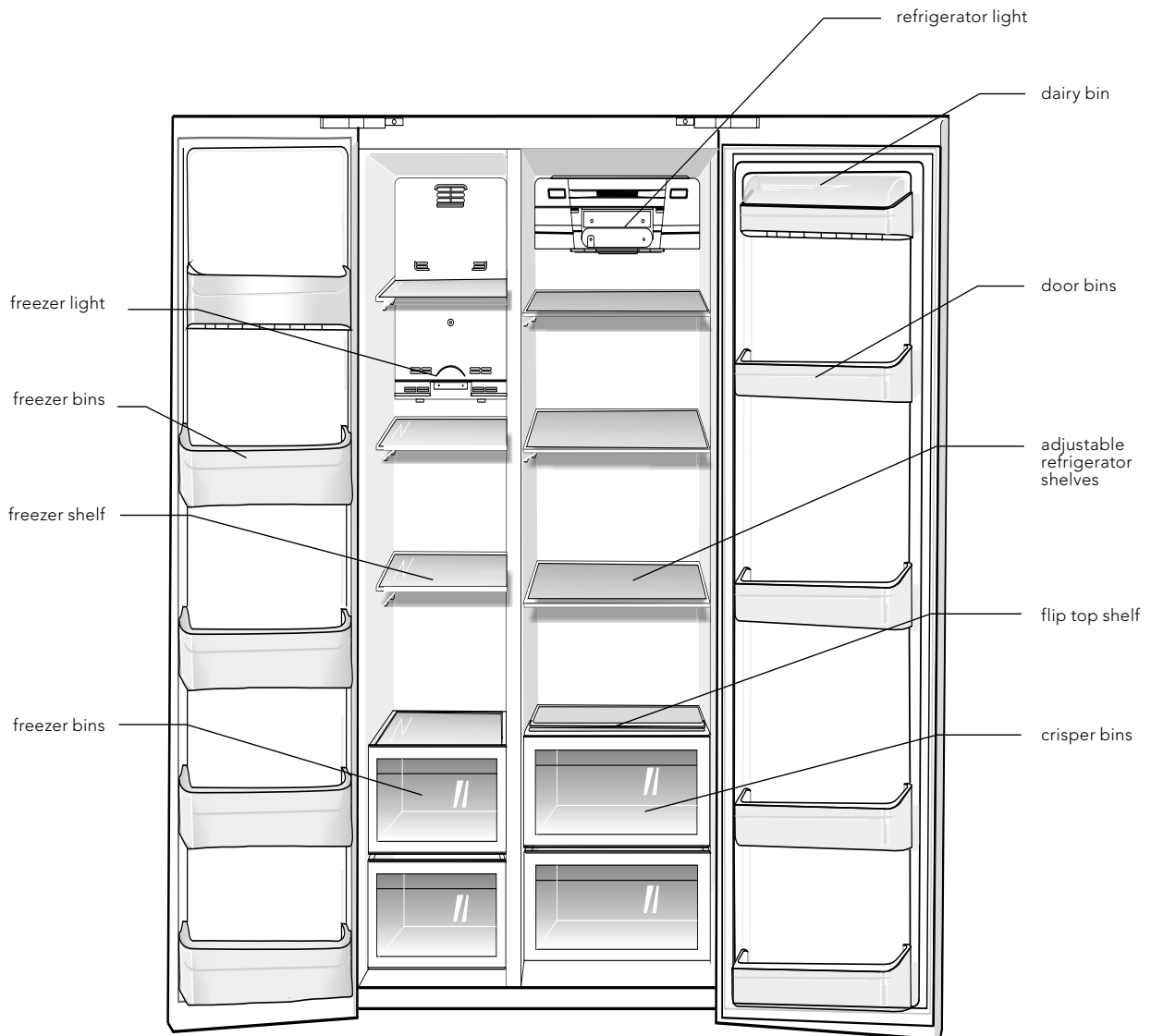
Note: When you set a temperature, you set an average temperature for the whole refrigerator cabinet.

Checking the softness of ice cream is a good indication that your freezer is the right temperature, while checking the temperature of water kept in the refrigerator is a good way of checking the temperature of the food compartment.

Temperatures inside each compartment may vary, depending on how much food you store and where you place it.

High or low room temperature may also affect the actual temperature inside the refrigerator.

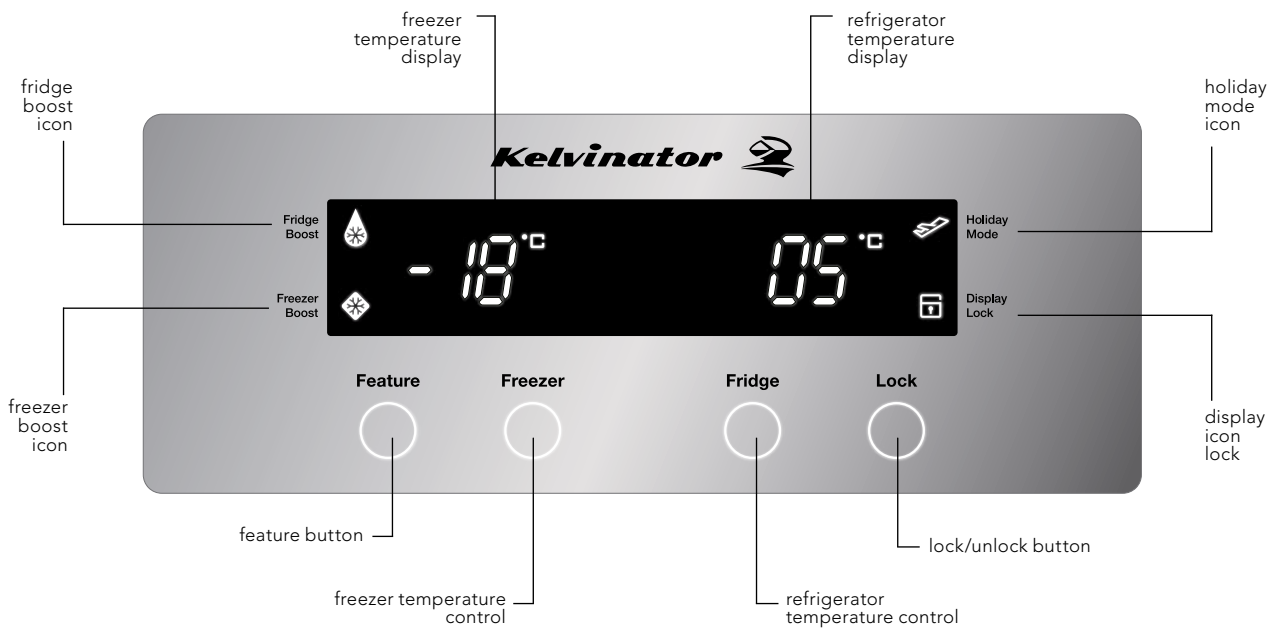
Refrigerator features



Control Panel
The control panel is located on the freezer door.

Note: Product illustrations demonstrate various features but may not be completely in line with current products.

Using the control panel



Function setting of the LED display

Note: the display will turn off after 20 seconds of inactivity, to wake up the display before changing settings touch any button.

Feature Selection - each press of the "Feature" button will cycle through the operating modes.

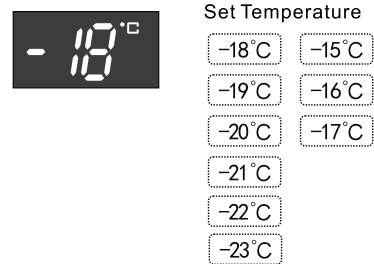


Holiday mode - the refrigerator will run at 6°C while the freezer will run at -15°C

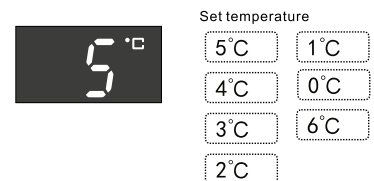
Freezer boost mode - when freezer boost mode is selected the compressor will operate continuously until the freezer reaches its minimum temperature. The default time for the freezer boost mode is 180 minutes, after this time the freezer will return to the previously set operating mode.

Fridge boost mode - the freezer will run continuously with the fan operating to quickly cool the refrigerator compartment. The default running time for this mode is 150 minutes, once this time is up the refrigerator will return to the previously set operating mode.

Freezer compartment settings - the default temperature of the freezer is -18°C. To change the temperature press the Freezer button to cycle through the set temperatures.



Refrigerator compartment settings - the default temperature of the refrigerator is 5°C. To change the temperature press the Fridge button to cycle through the set temperatures.



Lock/unlock - pressing the lock button will enable lock mode and the lock icon will be visible. While the refrigerator is in this mode the other buttons on the control panel will not function, when the buttons are touched a chime will sound and the lock icon will flash. To exit lock mode press and hold the lock button for 3 seconds until the icon is no longer displayed.



Open door alarm - when the refrigerator door is left open for more than 1 minute the alarm will sound to alert that the door is open closing the door will disable the alarm.

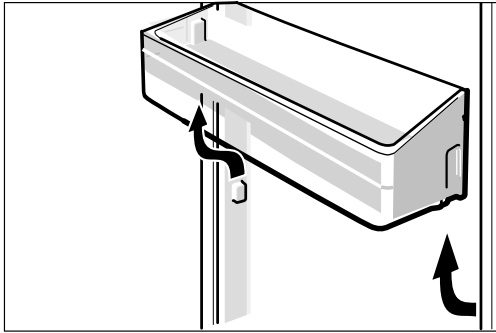
Bins and shelves

This section tells you how to make the most of the many useful features and how to clean them.

Door storage bins

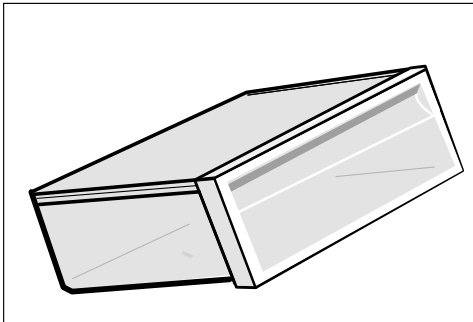
Both refrigerator and freezer are fitted with door storage bins. You can adjust the refrigerator bins to meet different storage needs. All the door bins are completely removable for cleaning.

If you want to remove or adjust a bin, lift it over the support lugs on the inner door panel. To replace, push the bin down over the support lugs to lock it in place.



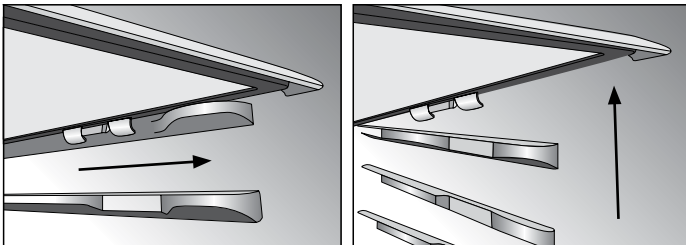
Crisper drawer

You can use the crisper bin to store vegetables, fruit or smallgoods. To remove, pull it forward then up and out.



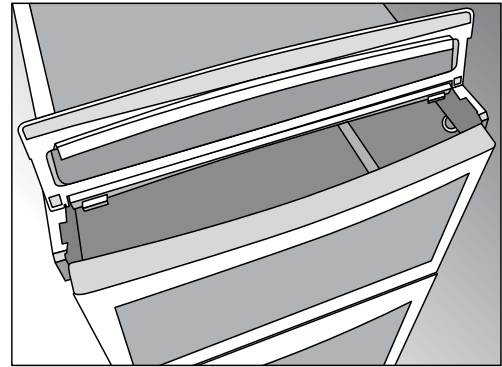
Glass Shelves

To remove the shelf, simply pull it forward to the slot opening and then lift the front slightly to take it out.



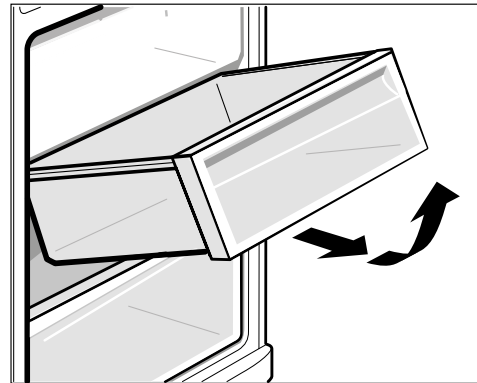
Flip glass shelf

Opens to enable storage or additional access of larger food items in the crisper bin.



Freezer drawer

To remove the freezer drawers, simply pull them forward, up and out.



LED Lighting

Your refrigerator is fitted with long life LED lighting.

warning

In the unlikely event the LED lights should fail, then the LED lights should be serviced by the manufacturer, its service agent or similarly qualified technician. Refer to the warranty page for contact details.

Cleaning your refrigerator

warning

Before cleaning: Turn appliance off at the power point, then remove power cord from socket. This will make sure there is no chance of getting an electric shock.

Doors and exterior

You should only clean the doors with lukewarm soapy water and a soft cloth, rinsing with clean water and then wipe the surface with clean water and a soft clean cloth to remove soap residue.

caution

Do not use stainless steel cleaners, abrasive pads or other cleaners as they are likely to scratch the surface. Damage to this product after delivery is not covered by your warranty.

Interior

You should clean the appliance interior regularly. It will be easiest to clean when the food supply is low. Wash the interior with a soft cloth and use an unscented mild soap with lukewarm water. Thoroughly dry all surfaces and removable parts. Avoid getting water on appliance controls. If you have taken out any removable parts, replace them and switch the power on before re-stocking the appliance with food. Naturally, you should keep the interior of your appliance hygienic by promptly and thoroughly wiping up any food spills.

Door seals

Take care to keep door seals clean. Sticky food and drink can cause seals to stick to the cabinet and tear when you open the door. Wash seal with a mild detergent and warm water. Rinse thoroughly and dry.

caution

Never use hot water, solvents, commercial kitchen cleaners, aerosol cleaners, metal polishes, caustic or abrasive cleaners, or scourers to clean this appliance, as they will damage it. Many commercially available cleaning products and detergents contain solvents that will damage your refrigerator. When cleaning, use only a soft cloth with an unscented mild soap and lukewarm water.

Energy consumption

The following guide will help you reduce the running cost of your new refrigerator. This will save you money and help conserve our valuable energy resources.

1. Do not block air vents. Doing so may cause the refrigerator to run longer and use more energy.
2. Do not set your freezer temperature too low. After 24 hours, ice cream should be firm but able to be scooped out with a spoon without bending the handle. If ice cream is firmer than this (or too soft), adjust the freezer temperature controls (see 'Temperature control', page 8).
3. Ensure that the refrigerator doors seal properly as you close them.
4. Before you open the refrigerator doors, decide what you want to put in or take out. This will minimise the time you have the doors open.
5. It is best to have the refrigerator in a place that is out of direct sunlight and away from heating appliances of any kind. For example, do not place the refrigerator next to a cooker, stove or dishwasher.
6. Allow hot foods to cool to room temperature before you put them in your freezer.
7. Thaw frozen food in the refrigerator section.
8. If you keep the freezer compartment filled to capacity, your food mass will help maintain the freezer temperature when you open the door.

Turning off the refrigerator

If you are leaving for a short holiday, there is no need to turn off your refrigerator.

If you are going on a long holiday and want to turn the refrigerator off, follow the steps below.

1. Take all the food out of the refrigerator and freezer compartments.
2. Switch off the refrigerator and remove the electric cord from the power point.
3. Clean the inside.
4. Leave the doors open. This prevents bacteria from growing and causing smells in the refrigerator.

Power failure

If there is a power failure in your area, keep the door to the freezer closed. Most foods in your freezer will stay frozen for 24 hours.

Troubleshooting

If you think something may be wrong with your refrigerator, you can carry out some easy checks before calling for service. You may locate the problem, sparing yourself from inconvenience and saving time and money.

Problem	Solution
When your appliance is not operating	<ul style="list-style-type: none"> • Check that the power cord is plugged into the power outlet properly and that the outlet is switched 'ON'. • Try running another appliance from the power outlet. If no power is coming from the outlet you may have blown a fuse or tripped a circuit of your household power supply. • Try adjusting the temperature control to a slightly "colder" position. • It is normal for the freezer fan NOT to operate during the automatic defrost cycle, or for a short time after the appliance is switched on.
When there is refrigerator/freezer noise	<p>Modern refrigerators/freezers with increased storage capacity use high speed compressors. These can provide a seemingly high level of sound which is quite normal. Normal operational sounds include:</p> <ul style="list-style-type: none"> • Occasional gurgling, similar to water boiling. • Air flow noise (air circulates because of a small fan). • A popping noise heard during automatic defrost. <p>Other strange sounds may mean that you need to check and take action. For example, noises may mean that:</p> <ul style="list-style-type: none"> • The cabinet is not level. • The floor is uneven or weak. • Bottles are badly placed and rattling. • There are vibrations from an object on top of or behind or beside the refrigerator. • The back of the refrigerator cabinet is touching the wall. <p>Remember it is quite normal for noise to seem louder when the refrigerator starts operating, or during quieter periods such as night time.</p>
If there are odours inside the appliance	<ul style="list-style-type: none"> • The interior may need cleaning. • Some foods produce odours. • Some containers and wrapping can cause odours. • Ask yourself if the odour started about the same time you started storing something unusual.
When the motor seems to run more than expected	<p>Your new appliance provides you with large capacities in both the refrigerator section and the separate freezer. It is normal for the motor to operate frequently. However, to keep operation to a minimum, check the following:</p> <ul style="list-style-type: none"> • Are doors kept open too long or too often? • Are controls set too cold? refer to "Using the control panel" for how to adjust. • Have large amounts of warm food just recently been stored? Summer, festive seasons and holidays usually mean a lot more work for your appliance. <ul style="list-style-type: none"> • If the day is hot or the room is very warm, the appliance will need to run more than normal. • The appliance will run more than normal just after you install it or when it has been turned off for a long time.
If the temperature in the refrigerator is too cold	<ul style="list-style-type: none"> • Refer to "Using the control panel" for how to adjust. • Increase the temperature to avoid high energy consumption.
If heavy frosting occurs in the freezer	<p>Make sure you fully close the freezer and fridge doors. If the doors are left partly open a heavy frost will coat the inside of the freezer. If a frost develops, remove it. Take care to properly close the doors and the frost will not reoccur.</p>
If water drips on the floor	<p>The defrost water tray, (located at the back of the cabinet), may not be properly positioned, or the drain tube may not be properly positioned to direct water into this tray. You may need to pull the refrigerator away from the wall to check the tray and tube.</p>
Freezer Door opens after closing fridge door	<p>It is normal for the freezer door to momentarily open and re-close when the food compartment door is closed. If the freezer door stays open, it indicates that the refrigerator cabinet needs to be tilted backwards a little further. If you call a service person to solve this problem, you will be charged for the cost of a service call, as this is not a warranty fault.</p>
When temperature is hot/warm on the outside and rear side of the Fridge	<p>In normal operation, the fridge transfers heat from inside to outside of the cabinet. It is normal for the side and rear of the fridge to feel warm/hot while operating. This will be more noticeable during start up and hot ambient conditions.</p>

If you still require service after you have made the checks mentioned above, contact your nearest Electrolux approved Service Centre or the dealer you bought the refrigerator from. Be ready to quote the model number, 9-digit PNC and 8-digit serial number, which is stated on the label inside the refrigerator compartment.

This document sets out the terms and conditions of the product warranties for Electrolux Appliances. It is an important document. Please keep it with your proof of purchase documents in a safe place for future reference should you require service for your Appliance.

1. In this warranty:
 - (a) 'acceptable quality' as referred to in clause 10 of this warranty has the same meaning referred to in the ACL;
 - (b) 'ACL' means Schedule 2 to the Competition and Consumer Act 2010;
 - (c) 'Appliance' means any Electrolux product purchased by you and accompanied by this document;
 - (d) 'ASC' means Electrolux authorised service centres;
 - (e) 'Electrolux' means Electrolux Home Products Pty Ltd of 163 O'Riordan Street, Mascot NSW 2020, ABN 51 004 762 341 in respect of Appliances purchased in Australia and Electrolux (NZ) Limited (collectively 'Electrolux') of 3-5 Niall Burgess Road, Mount Wellington, in respect of Appliances purchased in New Zealand;
 - (f) 'major failure' as referred to in clause 10 of this warranty has the same meaning referred to in the ACL and includes a situation when an Appliance cannot be repaired or it is uneconomic for Electrolux, at its discretion, to repair an Appliance during the Warranty Period;
 - (g) 'Warranty Period' means the Appliance is warranted against manufacturing defects in Australia and New Zealand for 24 months and for the Appliance's compressor, condenser, evaporator and drier, an additional 36 months parts only warranty applies, following the date of original purchase of the Appliance;
 - (h) 'you' means the purchaser of the Appliance not having purchased the Appliance for re-sale, and 'your' has a corresponding meaning.
2. This warranty only applies to Appliances purchased and used in Australia or New Zealand and used in normal domestic applications and is in addition to (and does not exclude, restrict, or modify in any way) any non-excludable statutory warranties in Australia or New Zealand.
3. During the Warranty Period Electrolux or its ASC will, at no extra charge if your Appliance is readily accessible for service, without special equipment and subject to these terms and conditions, repair or replace any parts which it considers to be defective. Electrolux or its ASC may use remanufactured parts to repair your Appliance. You agree that any replaced Appliances or parts become the property of Electrolux. This warranty does not apply to light globes, batteries, filters or similar perishable parts.
4. Parts and Appliances not supplied by Electrolux are not covered by this warranty.
5. To the extent permitted by law, you will bear the cost of transportation, travel and delivery of the Appliance to and from Electrolux or its ASC. If you reside outside of the service area, you will bear the cost of:
 - (a) travel of an authorised representative;
 - (b) transportation and delivery of the Appliance to and from Electrolux or its ASC.

In all instances, unless the Appliance is transported by Electrolux or an Electrolux authorised representative, the Appliance is transported at the owner's cost and risk while in transit to and from Electrolux or its ASC.
6. Proof of purchase is required before you can make a claim under this warranty.
7. You may not make a claim under this warranty unless the defect claimed is due to faulty or defective parts or workmanship. Electrolux is not liable in the following situations (which are not exhaustive):
 - (a) the Appliance is damaged by:
 - (i) accident
 - (ii) misuse or abuse, including failure to properly maintain or service
 - (iii) normal wear and tear
 - (iv) power surges, electrical storm damage or incorrect power supply
 - (v) incomplete or improper installation
 - (vi) incorrect, improper or inappropriate operation
 - (vii) insect or vermin infestation
 - (viii) failure to comply with any additional instructions supplied with the Appliance;
 - (b) the Appliance is modified without authority from Electrolux in writing;
 - (c) the Appliance's serial number or warranty seal has been removed or defaced;
 - (d) the Appliance was serviced or repaired by anyone other than Electrolux, an authorised repairer or ASC.
8. This warranty, the contract to which it relates and the relationship between you and Electrolux are governed by the law applicable where the Appliance was purchased. Where the Appliance was purchased in New Zealand for commercial purposes the Consumer Guarantee Act does not apply.
9. To the extent permitted by law and subject to your non-excludable statutory rights and warranties, Electrolux excludes all warranties and liabilities (other than as contained in this document) including liability for any loss or damage whether direct or indirect arising from your purchase, use or non use of the Appliance.
10. For Appliances and services provided by Electrolux in Australia, the Appliances come with a guarantee by Electrolux that cannot be excluded under the ACL. You are entitled to a replacement or refund for a major failure and for compensation for any other reasonably foreseeable loss or damage. You are also entitled to have the Appliance repaired or replaced if the Appliance fails to be of acceptable quality and the failure does not amount to a major failure. The benefits to you given by this warranty are in addition to your other rights and remedies under a law in relation to the Appliances or services to which the warranty relates.
11. At all times during the Warranty Period, Electrolux shall, at its discretion, determine whether repair, replacement or refund will apply if an Appliance has a valid warranty claim applicable to it.
12. For Appliances and services provided by Electrolux in New Zealand, the Appliances come with a guarantee by Electrolux pursuant to the provisions of the Consumer Guarantees Act, the Sale of Goods Act and the Fair Trading Act.
13. To enquire about claiming under this warranty, please follow these steps:
 - (a) carefully check the operating instructions, user manual and the terms of this warranty;
 - (b) have the model and serial number of the Appliance available;
 - (c) have the proof of purchase (e.g. an invoice) available;
 - (d) telephone the numbers shown below.
14. You accept that if you make a warranty claim, Electrolux and its ASC may exchange information in relation to you to enable Electrolux to meet its obligations under this warranty.

Important Notice

Before calling for service, please ensure that the steps listed in clause 13 above have been followed.

<p>FOR SERVICE or to find the address of your nearest state service centre in Australia PLEASE CALL 13 13 49 For the cost of a local call (Australia only)</p>	<p>SERVICE AUSTRALIA  Electrolux ELECTROLUX HOME PRODUCTS www.electrolux.com.au</p>	<p>FOR SPARE PARTS or to find the address of your nearest state spare parts centre in Australia PLEASE CALL 13 13 50 For the cost of a local call (Australia only)</p>
<p>FOR SERVICE or to find the address of your nearest authorised service centre in New Zealand FREE CALL 0800 10 66 10 (New Zealand only)</p>	<p>SERVICE NEW ZEALAND  Electrolux ELECTROLUX (NZ) Limited www.electrolux.co.nz</p>	<p>FOR SPARE PARTS or to find the address of your nearest state spare parts centre in New Zealand FREE CALL 0800 10 66 20 (New Zealand only)</p>




Electrolux Home Products Australia

telephone: 1300 363 640
fax: 1800 350 067
email: customercare@electrolux.com.au
web: kelvinator.com.au

Electrolux (NZ) Limited

telephone: 0800 436 245
fax: 0800 225 088
email: customercare@electrolux.co.nz
web: kelvinator.co.nz

**Kelvinator. We are part of the Electrolux family.
Share more of our thinking at electrolux.com.au**

 Printed on Monza Recycled Art stock containing 55% recycled material & 45% from sustainable forests.

© 2015 Electrolux Home Products Pty Ltd
KMAN_OEM_July15

