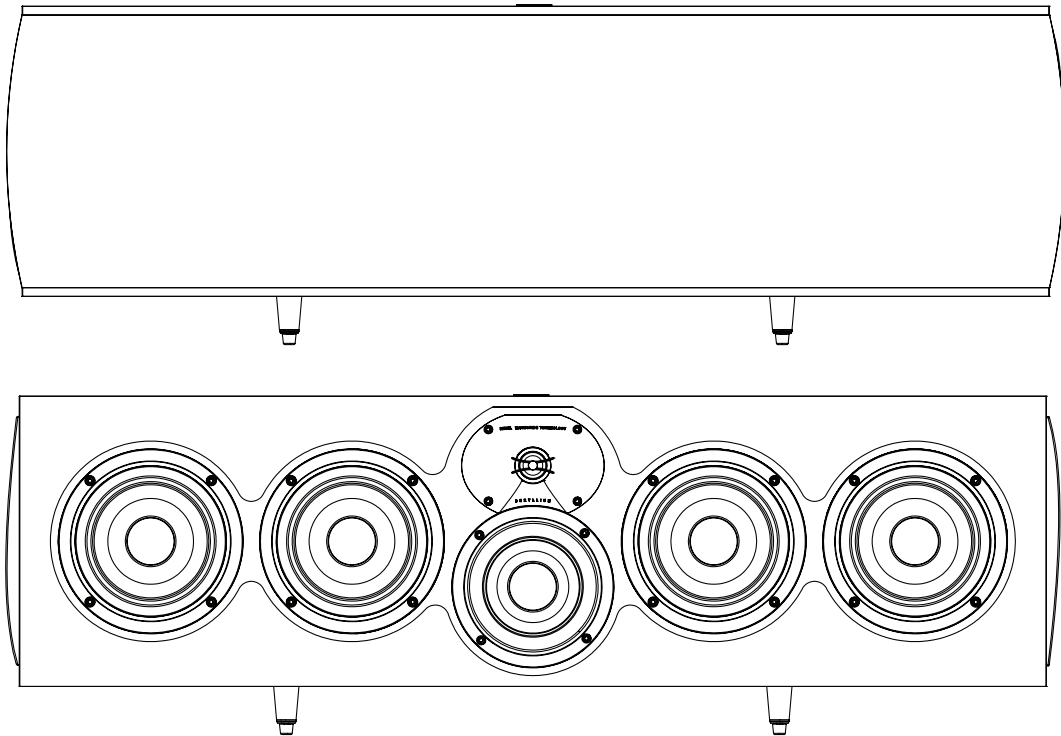


REVEL[®]


PERFORMA ⁴™ Be

C426Be Center Channel Loudspeaker Owner's Manual



REVEL

IMPORTANT SAFETY INSTRUCTIONS

1. Use only attachments/accessories specified by the manufacturer.
2. Use only with the cart, stand, tripod, bracket, or table specified by the manufacturer or sold with the apparatus. When a cart is used, use caution when moving the cart/apparatus combination to avoid injury from tip-over. 
3. Refer all servicing to qualified service personnel. Servicing is required when the apparatus has been damaged in any way, such as when the power-supply cord or plug is damaged, liquid has been spilled or objects have fallen into the apparatus, or the apparatus has been exposed to rain or moisture, does not operate normally or has been dropped.

WEEE NOTICE

The Directive on Waste Electrical and Electronic Equipment (WEEE), which entered into force as European law on 14/02/2014, resulted in a major change in the treatment of electrical equipment at end-of-life.

The purpose of this Directive is, as a first priority, the prevention of WEEE, and in addition, to promote the reuse, recycling and other forms of recovery of such wastes so as to reduce disposal. The WEEE logo on the product or on its box indicating collection for

electrical and electronic equipment consists of the crossed-out wheeled bin, as shown below.



This product must not be disposed of or dumped with your other household waste. You are liable to dispose of all your electronic or electrical waste equipment by relocating over to the specified collection point for recycling of such hazardous waste. Isolated collection and proper recovery of your electronic and electrical waste equipment at the time of disposal will allow us to help conserving natural resources. Moreover, proper recycling of the electronic and electrical waste equipment will ensure safety of human health and environment. For more information about electronic and electrical waste disposal, recovery, and collection points, please contact your local city center, household waste disposal service, shop from where you purchased the equipment, or manufacturer of the equipment.

ROHS COMPLIANCE

This product is in compliance with Directive 2011/65/EU and (EU)2015/863 of the European Parliament and of the Council of 31/03/2015 on the restriction of the use of certain hazardous substances in electrical and electronic equipment.

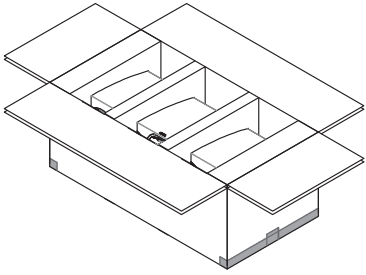
TABLE OF CONTENTS

| | |
|--|----|
| UNPACKING THE C426Be | 3 |
| ABOUT REVEL PERFORMABe LOUDSPEAKERS | 4 |
| FEATURE HIGHLIGHTS | 4 |
| C426Be OVERVIEW | 4 |
| INSTALLATION CONSIDERATIONS | 5 |
| LOUDSPEAKER PLACEMENT | 5 |
| ADJUSTABLE FEET | 5 |
| MAKING CONNECTIONS | 6 |
| OBSERVE PROPER POLARITY | 6 |
| SPEAKER CABLE..... | 6 |
| MINIMUM WIRE GAUGE..... | 6 |
| C426Be CONNECTIONS | 6 |
| SINGLE-WIRED CONNECTION | 7 |
| BI-WIRED CONNECTIONS..... | 7 |
| BI-AMPED CONNECTIONS..... | 8 |
| OPTIMIZING PERFORMANCE | 9 |
| PORT PLUGS | 9 |
| LOUDSPEAKER VOLUME LEVELS | 9 |
| CARING FOR YOUR LOUDSPEAKERS | 9 |
| GRILLES..... | 9 |
| C426Be | 9 |
| CABINET FINISH..... | 9 |
| SPECIFICATIONS | 9 |
| LIMITED WARRANTY | 10 |

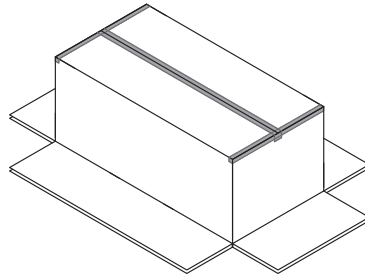
UNPACKING THE C426Be

Unpack the C426Be in the order of the illustrations below.

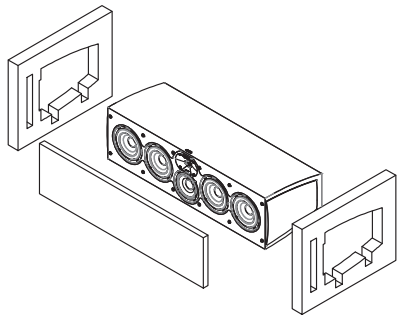
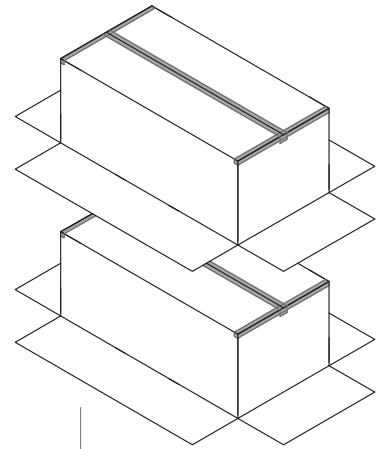
Step 1



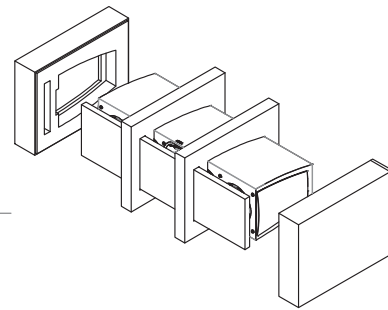
Step 2



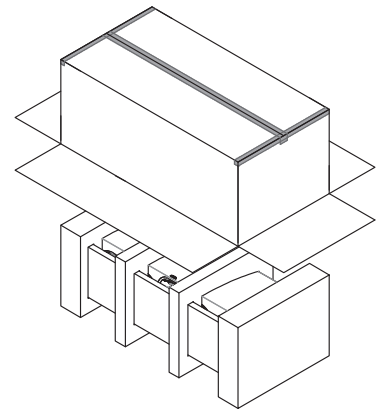
Step 3



Step 6



Step 5



Step 4

ABOUT REVEL PERFORMABe LOUDSPEAKERS

FEATURE HIGHLIGHTS

- Beryllium Dome Tweeter
- 5th-generation Acoustic Lens Waveguide
- Deep Ceramic Composite (DCC™) Cone Midrange and Woofers
- Wide bandwidth and dynamic range with minimal dynamic compression
- High-order Crossovers with Film Capacitors and Air Core Inductors
- Premium High-Gloss Finishes: Black, White, Walnut, Metallic Silver

Thank you for purchasing the Revel PerformaBe loudspeakers. These true full-range loudspeakers deliver an impressive combination of wide frequency range, uncompressed dynamic range and low distortion across the entire audible spectrum.

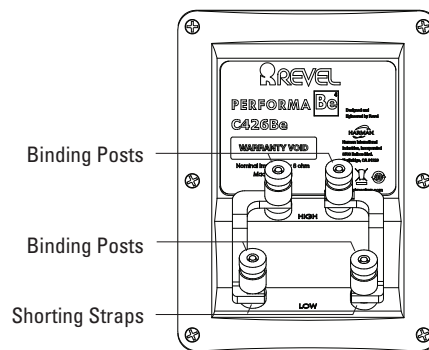
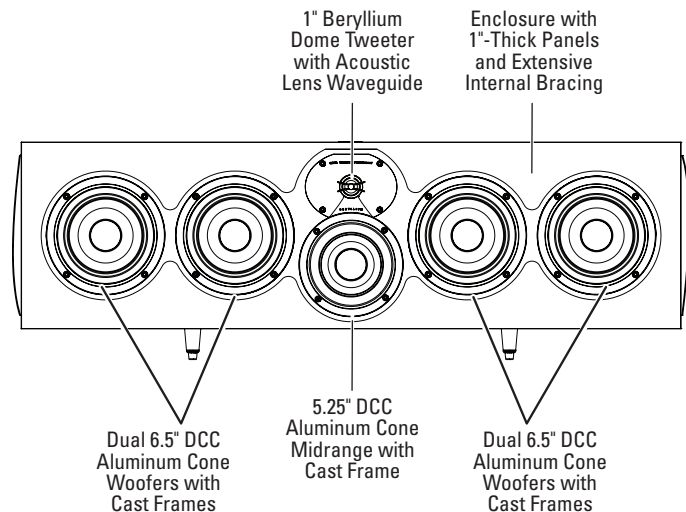
The tweeter dome is pure Beryllium (Be), a rare and costly metal with a multitude of properties that make it the ideal tweeter dome material. Beryllium is extremely low mass (approximately half the weight of aluminum, titanium and diamond) yet up to 4.5 times stiffer than aluminum or titanium, yielding superior high frequency extension and resolution to 40kHz. Its high thermal conductivity helps cool the voice coil for increased reliability. This newly developed tweeter sets a new standard of transparency for speakers anywhere near the PerformaBe's class. The tweeter's integrated 5th generation acoustic lens waveguide is based on a breakthrough mathematical approach that accurately matches the tweeter's dispersion to that of the midrange transducer in the crossover region. This gives the loudspeaker very smooth sound over an exceptionally wide listening area—an important contributor to lifelike imaging for multiple listeners in a room. Further, the remarkable waveguide actually increases the tweeter's dispersion at frequencies above the crossover range. The Revel PerformaBe's low frequency and midrange transducers feature newly developed Deep Ceramic Composite (DCC) cone technology. With DCC the aluminum cone is exposed to intense plasma discharge in order to fuse a deep layer of ceramic to both sides of the cone, thereby stiffening and damping the cone far beyond untreated aluminum. DCC technology reduces cone resonance and promotes ideal piston motion; the benefits are immediately audible in midrange purity and detail retrieval. Their cast aluminum frames eliminate another source of resonance that is common in many lesser-quality loudspeakers. The PerformaBe models employ a sophisticated fluid-model designed low frequency port with identical flares on both ends. This greatly minimizes dynamic compression and port-generated noise, assuring low distortion low frequency performance.

The Performa enclosures are similar to our flagship Ultima2 Series. The fully curved enclosure is inherently stiffer than conventional rectangular enclosures. The cabinet walls are formed with contiguous wood layers to damp material resonance, while strategically placed braces eliminate the possibility of enclosure-induced coloration. These beautiful, modern enclosures are finished in high-gloss black, white, metallic or genuine American walnut in a process (developed and overseen by Italian luxury cabinet makers) that exceeds automotive finish quality. The loudspeaker grilles are designed to minimize diffraction to maintain perfect three-dimensional imaging. The magnetic grille attachment method completely eliminates ugly hardware on the loudspeaker baffle. Whether you use them with or without grilles PerformaBe speakers will always present a clean, sophisticated appearance.

Revel PerformaBe's crossover networks features carefully selected components that contribute to great performance and benchmark setting value. These high-order crossover networks dramatically reduce distortion and dynamic compression for clear sound that maintains the same quality over a very wide dynamic range. These precision networks optimize the speakers' timbre accuracy, enhancing musical enjoyment for listeners who are anywhere in the room, not only those seated on-axis to the loudspeakers. Revel-designed binding posts are heavily gold plated and include an articulated section that allows for more secure connections when using spade lugs. The C426Be center-channel loudspeaker includes two sets of binding posts that enable the loudspeakers to be bi-wired or bi-amped.

During development every Revel loudspeaker model is compared to competitive models in our unique position-independent double-blind listening lab. This process utilizes the latest psychoacoustic research to assure that these listening tests are valid, enabling us to verify that all Revel loudspeakers are superior to their competitors before they are allowed to go into production.

C426Be OVERVIEW



C426Be Input Plate

INSTALLATION CONSIDERATIONS

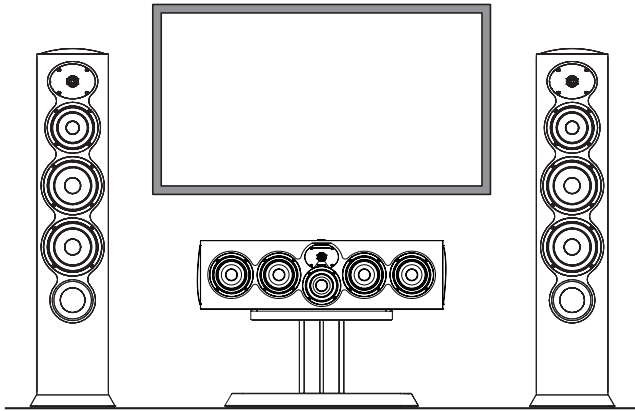
Loudspeaker fidelity depends on the following three factors: loudspeaker accuracy, loudspeaker placement, and listening room acoustics. Experimenting with loudspeaker placement and listening room acoustics will have the most significant impact on the loudspeakers' performance. The C426Be's performance is optimized for the most common center-channel speaker placement options: near a wall, on a stand or inside a cabinet or entertainment center.

LOUDSPEAKER PLACEMENT

We recommend that you remove all obstructions between the loudspeaker and the primary listening position. For instance, a coffee table between the loudspeaker and the primary listening position will create reflections that will degrade timbre which can make film dialog more difficult to understand. Placing the loudspeakers near large objects may also cause unwanted reflections.

STAND-MOUNTING

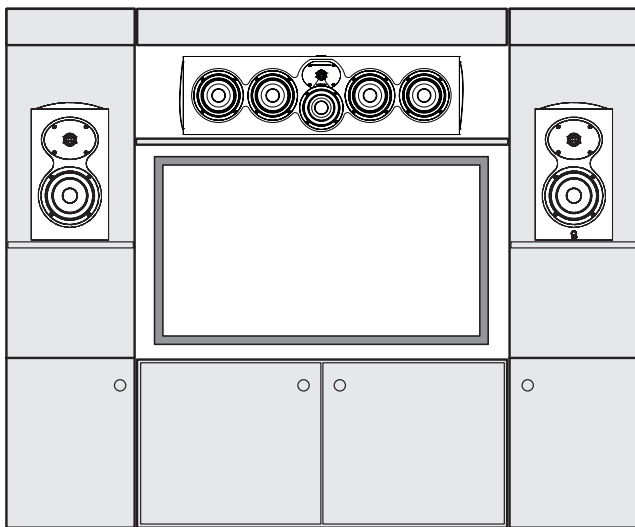
A pedestal stand, table, or cabinet will place the C426Be at the proper height for installation below a TV display.



FLUSH-MOUNTING

When flush-mounting the C426Be inside of a cabinet or entertainment center:

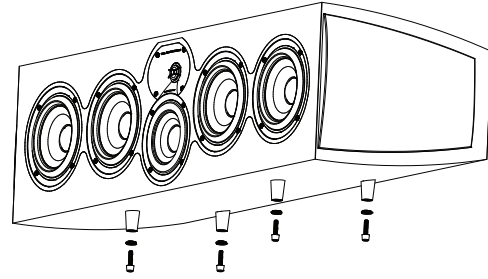
- Make sure that the front of the loudspeaker is flush with the front edge of the mounting shelf and surrounding surfaces.



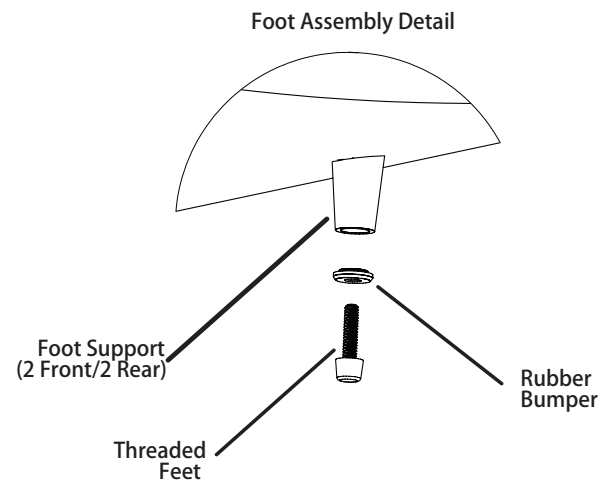
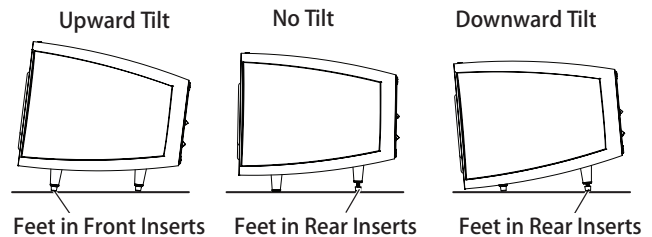
- If necessary to aim the loudspeaker directly at the listeners' ears, use the supplied long feet to angle the loudspeaker down if it is placed above the TV display, or use the supplied short feet to angle the loudspeaker up or straight forward if it is placed below the TV display. See Adjustable Feet, on page 5.

ADJUSTABLE FEET

C426Be loudspeakers include two sets of adjustable feet, one short and one long that let you angle the loudspeaker up or down so it is aiming towards listeners' ears when it is installed above or below a TV display. The feet screw into the threaded inserts on the bottom of the speaker. Also included is a set of levelers that screw into the feet for added tilt.



- To tilt the loudspeaker upward, adjust the front threaded feet downward so that the loudspeaker achieves the desired level balance.
- To aim the loudspeaker straight forward (with no tilt), remove the front threaded feet so that the rubber bumper rests on the seating surface. Adjust the rear threaded feet downward so that the loudspeaker achieves the desired level balance.
- To tilt the loudspeaker downward, remove the front threaded feet, rubber bumper and foot support. Reinstall the front rubber bumper and threaded feet until snug to the loudspeaker bottom. Rest the front rubber bumpers on the seating surface. Adjust the rear threaded feet downward so that the loudspeaker achieves the desired level balance.



MAKING CONNECTIONS

CAUTION: Never make or break connections unless all system components are powered off.

OBSERVE PROPER POLARITY

Connect the amplifier's positive (+) terminal to the positive (+) terminal on the loudspeaker; connect the amplifier's negative (–) terminal to the negative (–) terminal on the loudspeaker. Do not reverse polarities (that is, do not connect + to –, or – to +) when making connections. Doing so will cause diminished dialog intelligibility and diminished bass response.

SPEAKER CABLE

Use high-quality loudspeaker cable with a maximum total loop resistance of 0.07 ohms or less for each wire run. Refer to the table below to determine the appropriate wire gauge for your installation.

MINIMUM WIRE GAUGE

| Maximum Wire Length (Feet) | Maximum Wire Length (Meters) | Minimum Wire Gauge (AWG) |
|----------------------------|------------------------------|--------------------------|
| < 87 | < 27 | 6 |
| < 69 | < 21 | 7 |
| < 58 | < 18 | 8 |
| < 43 | < 13 | 9 |
| < 34 | < 10 | 10 |
| < 27 | < 8 | 11 |
| < 22 | < 7 | 12 |
| < 17 | < 5 | 13 |
| < 14 | < 4 | 14 |
| < 11 | < 3.5 | 15 |
| < 9 | < 3 | 16 |
| < 7 | < 2 | 17 |
| < 5 | < 1.5 | 18 |

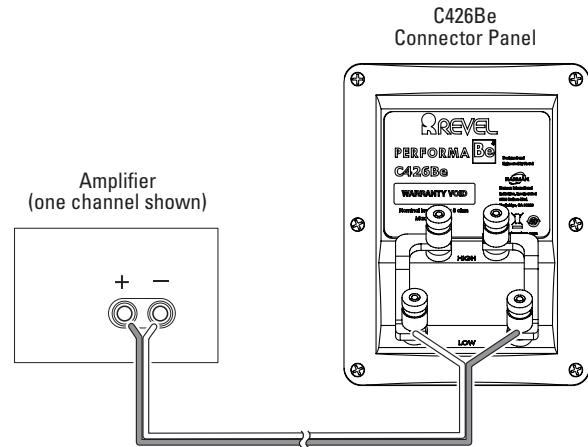
Note: High loop resistances that exceed 0.07 ohms (for each wire run) will cause the loudspeaker's filter network to be mis-terminated, resulting in considerable degradation of sound quality.

CAUTION: Revel C426Be loudspeakers are designed to be used with an external crossover (high-pass filter), such as is found in the center channel outputs of surround processors and audio/video receivers. An 80Hz crossover frequency is ideal, and will minimize dynamic compression and distortion. If desired, the C426Be may be used with crossover frequencies as low as 50Hz.

If the AVR/processor only offers "Large" and "Small" settings for the center channel, select the "Small" setting.

C426Be CONNECTIONS

The C426Be features gold-plated binding posts that allow single-wire connection.



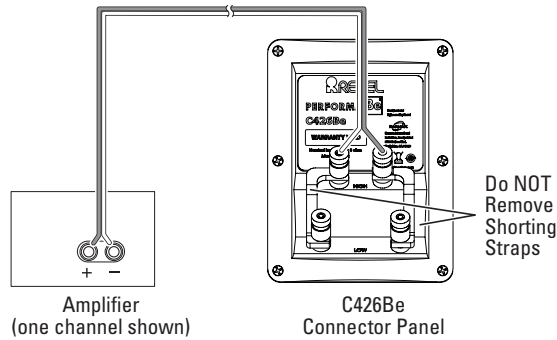
Before making connections to the C426Be, note the following:

- The standard connection method uses a single loudspeaker cable. The C426Be is equipped with two pairs of input terminals to allow for bi-wiring or bi-amping. While Revel does not endorse one particular connection method over another, these additional connection options are available if desired. The design of this loudspeaker is such that optimal performance can be attained using the standard connection method.
- When making bi-amped connections, both power amplifier channels must receive identical input signals from the associated preamplifier. If the associated preamplifier does not offer two connectors for the center channel, a "Y" adaptor is required.
- If desired, contact your authorized Revel dealer for information about the suitability of power amplifier components before connecting the C426Be to your power amplifier(s).
- Review the owner's manuals for all associated audio components to determine their correct connection procedures.

C426Be SINGLE-WIRED CONNECTION

Note: Do not remove the shorting straps between the speaker terminals.

Single-wired connections are the most common. These are made between one pair of C426Be input terminals and one power amplifier output channel as shown below.

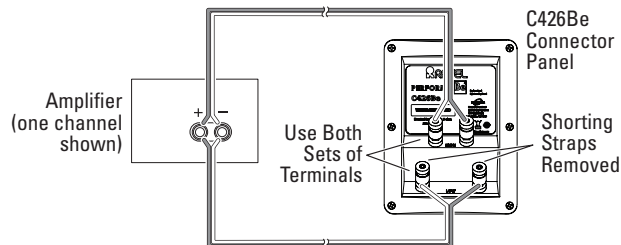


To make single-wired connections, connect one loudspeaker cable to the desired set of C426Be input terminals. (The high-frequency – "HIGH" – input terminals are recommended.) Then connect the other end of that loudspeaker cable to the desired power amplifier output channel.

C426BE BI-WIRED CONNECTIONS

CAUTION: Remove the shorting straps before making bi-wired connections. Failure to do so may cause damage to some power amplifiers.

Bi-wired connections use two sets of loudspeaker cables to connect both sets of C426Be input terminals to a single power amplifier output channel as shown below.



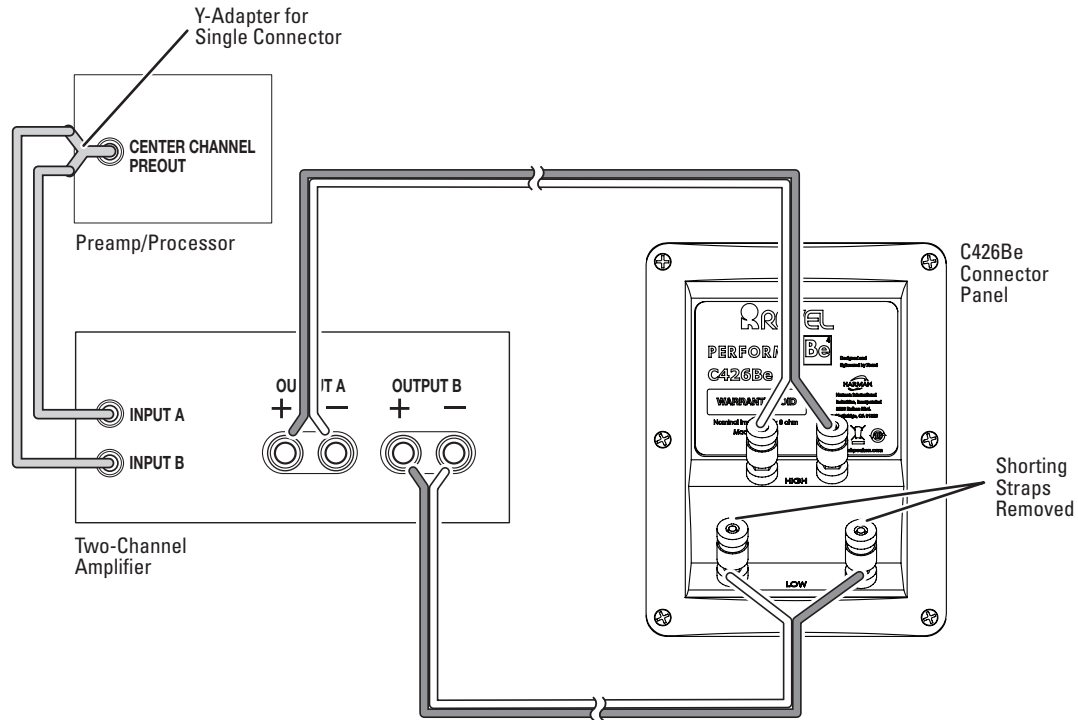
1. Remove the shorting straps.
2. Connect one loudspeaker cable to the high-frequency set of C426Be input terminals. Then connect the other end of that loudspeaker cable to the desired power amplifier output channel.
3. Connect another loudspeaker cable to low-frequency set of C426Be input terminals. Then connect the other end of that loudspeaker cable to the same power amplifier output channel that you connected in step 2.

C426BE BI-AMPED CONNECTIONS

CAUTION: Remove the shorting straps before making bi-amped connections. Failure to do so may cause damage to some power amplifiers.

Note: When making bi-amped connections, both power amplifier channels must receive identical input signals from the associated preamp/processor. If the associated preamp/processor only has one connector for the center channel, a “Y” adapter is required.

Bi-amped connections are made between both pairs of C426Be input terminals and two separate output channels of a single power amplifier. Each C426Be input is connected to an individual power amplifier channel, which can sometimes increase sonic performance.



1. Remove the shorting straps.
2. Connect one loudspeaker cable to the high-frequency set of C426Be input terminals. Then connect the other end of that loudspeaker cable to the desired power amplifier output channel.
3. Connect another loudspeaker cable to the low-frequency set of C426Be input terminals. Then connect the other end of that loudspeaker cable to the other output channel of the same power amplifier you connected to the high-frequency input terminals.
4. Connect both amplifier channel inputs to the center channel output of the preamp/processor. If the preamp/processor only has one connector for the center channel, use a “Y”-adaptor.

Note: Do not use an electronic crossover network when bi-amping a Revel C426Be loudspeaker. Doing so will cause a considerable degradation of sound quality.

OPTIMIZING PERFORMANCE

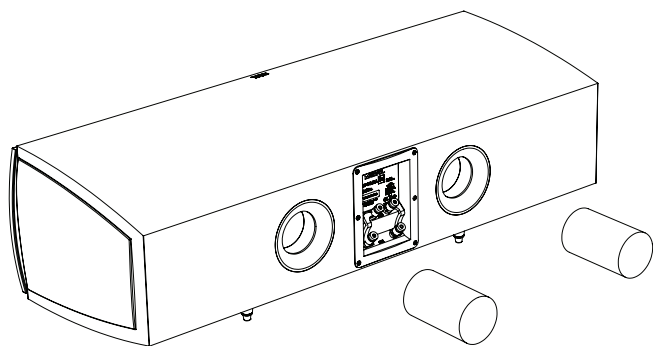
PORT PLUGS

Revel PerformaBe loudspeakers include a pair of foam port plugs, which are pre-inserted into the rear ports, and can be used to adjust the loudspeaker's low-frequency performance in certain installation situations.

If your loudspeaker is built into an entertainment center or shelving unit, or if the loudspeaker is located less than about two feet (0.61m) from walls or other large objects, leaving the port plugs inserted into the loudspeaker's port openings can reduce the overly-aggressive bass output that can be created by the speaker's proximity to large bass energy reflecting surfaces.

Remove the port plugs if your loudspeaker is to be used more than 2 feet away from walls, entertainment centers, or other large objects.

To re-insert the port plugs, insert the port plugs into loudspeaker's port tube openings far enough so that the end of each plug is flush with the inside end of the port tube's flared section.



CAUTION: Be careful not to insert the port plug so far into the port tube that it falls inside of the speaker.

LOUDSPEAKER VOLUME LEVELS

The high-order filters employed in Revel PerformaBe series loudspeakers include steep cut-offs to reduce potential transducer damage from "out-of-band" frequencies. Combined with carefully selected transducers and filter network components, this approach helps the PerformaBe floorstanding loudspeakers maintain their performance under extreme operating conditions.

However, all loudspeakers have limits when it comes to continuous playback. To avoid exceeding these limits, avoid playback at volume levels that distort or strain the sound.

CAUTION: To avoid damage, reduce the volume level immediately if the loudspeaker sound is not clean and clear. If you hear distortion, turn it down!

Once you have installed and connected your loudspeakers follow these steps the first time you turn your new PerformaBe loudspeakers on:

1. Begin playback of a familiar music or film source.
2. Listen from the primary listening position, increasing volume to a comfortable level.
3. Experiment with the loudspeakers' placement to achieve the best overall tonal balance, stereo image precision, and sense of spaciousness in the listening room. Refer to the Installation Considerations section on page 5 for additional information about loudspeaker placement.

CARING FOR YOUR LOUDSPEAKERS

GRILLES

Revel PerformaBe speakers feature grilles with a magnetic attachment method that eliminates unsightly attachment hardware from the speaker baffle, so if you decide to use your speakers with the grilles removed they will retain their elegant appearance.

C426Be

When installing the grilles on the C426Be speakers, orient them so that the "TOP" markings (embossed in the rears of the grille frames) are towards the tops of the speaker cabinets.

CABINET FINISH

The cabinet's wood veneer or lacquer finish does not require routine maintenance. Cabinet surfaces that have been marked with dust, fingerprints, or other dirt can be cleaned using a soft cloth – preferably micro-fiber, and high quality auto wax. Take care not to come in contact with the transducers.

- To clean the grille, gently vacuum it using a soft-bristled brush vacuum attachment with the vacuum cleaner set to the lowest possible suction.

CAUTION: To prevent cabinet damage, do not use a cloth made with steel wool or metal polish to clean the cabinet. To prevent possible transducer damage, do not apply furniture polish directly to the cabinet.

CAUTION: BERYLLIUM TWEETER CAUTION

Beryllium dust is a hazardous material. The Revel PerformaBe Beryllium dome will not emit any dust under normal circumstances and is perfectly safe unless it is damaged. The tweeter dome is protected by the acoustic lens and waveguide. As long as the waveguide remains intact there is no cause for concern. In the unlikely event that the dome is damaged in any way, cover the tweeter with adhesive plastic tape and contact Revel for further instructions. Do not play the speaker if it has a damaged tweeter dome.

At the end of the speaker's life do not dispose of it in a landfill or incinerator. Bring the speaker to an appropriate recycling or hazardous waste disposal site. Please contact Revel customer service for more information about proper disposal.

SPECIFICATIONS

| | |
|--|---|
| Type: | 3-way quadruple 6.5" Center channel |
| Low Frequency Driver Size and Material: | Four 6.5" (165mm) Deep Ceramic Composite (DCC) aluminium cones with cast frames |
| Mid Frequency Driver Size and Material: | 5-1/4" (130mm) Deep Ceramic Composite (DCC) aluminium cone, with cast frame |
| High Frequency Driver Size and Material: | 1" (25mm) Beryllium dome with acoustic lens wave guide |
| Recommended Amplifier Power Range: | 50-300 Watts RMS |
| Nominal Impedance: | 8 ohms |
| Sensitivity: | (2.83V/1m): 90 dB |
| Frequency Response: | 46Hz-40kHz (-6 dB) |
| Low-frequency extension: | 37 Hz (-10 dB) 46 Hz (-6 dB) 52 Hz-3 dB |
| Crossover Frequency: | 210 Hz; 2.1 kHz |
| Enclosure type: | Bass-reflex via 2 rear-mounted ports |
| Input Type: | Dual gold-plated binding posts with shorting straps |
| Available finishes: | High gloss piano black, white, metallic and walnut |
| Dimensions (H x W x D): | 976.5x269x342.9mm |
| Product Weight: | 72.77lb (33.01kg) |

LIMITED WARRANTY

Revel loudspeakers are warranted against defects. The duration of a warranty depends on the laws in the country in which it was purchased. Your local Revel retailer can help you determine the duration and coverage of your warranty.

For more information please visit: REVELSPEAKERS.COM

Please visit REVELSPEAKERS.COM for additional language support on the user manual.

Veillez visiter REVELSPEAKERS.COM pour obtenir le mode d'emploi en d'autres langues.

Если вам требуется дополнительные версии руководства пользователя на других языках, посетите сайт REVELSPEAKERS.COM.

別の言語に対応したユーザーマニュアルを読むには、REVELSPEAKERS.COMにアクセスしてください。

사용자 설명서에 대한 추가 언어 지원은 REVELSPEAKERS.COM에서 확인하십시오

请访问 REVELSPEAKERS.COM 以获取其他语言版本的用户手册。

Visita REVELSPEAKERS.COM para obtener el manual de usuario de soporte en idiomas adicionales.

Weitere Sprachfassungen der Bedienungsanleitung findest Du unter REVELSPEAKERS.COM.

| | |
|---------------------------------|---|
| Торговая марка: | Revel |
| Назначение товара: | Пассивная акустическая система |
| Изготовитель: | Харман Интернешнл Индастриз Инкорпорейтед, США, 06901 Коннектикут, г.Стемфорд, Атлантик Стрит 400, офис 1500 |
| Страна происхождения: | Китай |
| Импортер в Россию: | ООО "ХАРМАН РУС СиАйЭс", Россия, 127018, г.Москва, ул. Двинцев, д.12, к 1 |
| Гарантийный период: | 1 год |
| Информация о сервисных центрах: | www.harman.com/ru тел. +7-800-700-0467 |
| Срок службы: | 5 лет Товар сертифицирован ЕAC |
| Дата производства: | Дата изготовления устройства определяется по двум буквенным обозначениям из второй группы символов серийного номера изделия, следующих после разделительного знака «-». Кодировка соответствует порядку букв латинского алфавита, начиная с января 2010 года: 000000-МУ0000000, где «М» - месяц производства (А - январь, В - февраль, С - март и т.д.) и «У» - год производства (А - 2010, В - 2011, С - 2012 и т.д.). |

产品中有害物质的名称及含量

| 部件名称 | 目标部件 | 有害物质或元素 | | | | | |
|---------|---------------------------------------|---------|-------|-------|-------------|-----------|-------------|
| | | 铅(Pb) | 汞(Hg) | 镉(Cd) | 六价铬(Cr(VI)) | 多溴联苯(PBB) | 多溴二苯醚(PBDE) |
| 电路板 | 印刷电路板, 电路板上的电子零件 (不包括特定电子零件), 内部相关连接线 | X | 0 | 0 | 0 | 0 | 0 |
| 箱体 | 外壳, 面板, 背板等 | X | 0 | 0 | 0 | 0 | 0 |
| 特定电子零部件 | 变压器, 保险丝, 大型电解电容, 电源插座 | X | 0 | 0 | 0 | 0 | 0 |
| 附件 | 电线, 说明书, 包装等 | X | 0 | 0 | 0 | 0 | 0 |

本表格依据SJ/T 11364的规定编制

0: 表示该有害物质在该部件所有均质材料中的含量均在GB/T 26572 规定的限量要求以下。

X: 表示该有害物质至少在该部件的某一均质材料中的含量超出GB/T 26572规定的限量要求。



在中华人民共和国境内销售的电子电气产品上将印有“环保使用期”(EPUP)符号。圆圈中的数字代表产品的正常环保使用年限。



HARMAN International Industries, Incorporated
8500 Balboa Boulevard, Northridge, CA 91329 USA

© 2019 HARMAN International Industries, Incorporated. All rights reserved.

Revel and the Revel logo are trademarks of HARMAN International Industries, Incorporated, registered in the United States and/or other countries.

All Rights Reserved. Features, specifications and appearance are subject to change without notice.

For questions, assistance or additional information concerning any of our products, call us at: (516) 594-0300 or (888) 691-4171. For technical support, submit your detailed inquiry to: csupport@harman.com.

CE Part No. 950-0572-001

REVEL®

www.revelspeakers.com