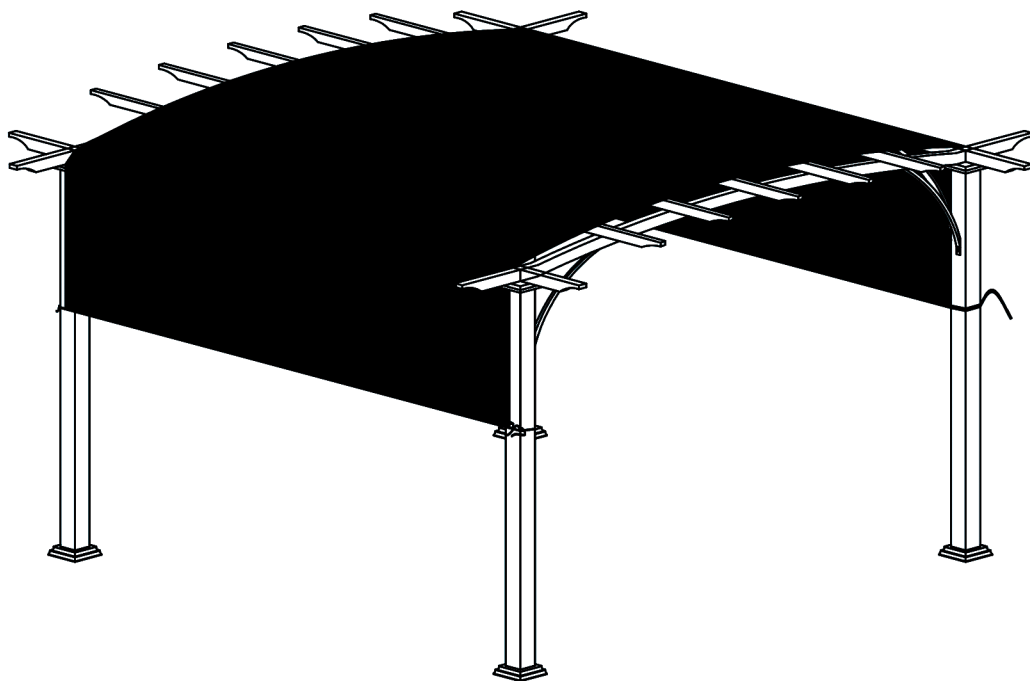


**UPC:909810**

**SKU:2721940**



#### SAFETY INFORMATION

Please read and understand this entire manual before attempting to assemble, operate or install the product. If any parts are missing or damaged, do not attempt to assemble the product.

Two to four people are needed for assembly.

In order to avoid damage to the shelter and its components, use appropriate tools. Do not use the structure as a support. When assembling pergola, do not lay pieces on abrasive surfaces that will scratch the finish.

Check all screws on a regular basis to maintain the solidity of the structure.

Keep instructions and parts list for future use.

Estimated Assembly time: Approximately 2.5 hours

Tools required for Assembly (not included): Ladder, at least 5 feet in height

#### CAUTION

Remove canopy when not in use. Do not leave outside during winds, rain or snow.

#### WARRANTY

1-year limited warranty

Limited warranty applicable on parts only. Warranty extends solely to original purchaser, who must produce the original sales receipt for redemption of any warranty claims.

#### EXCLUDED

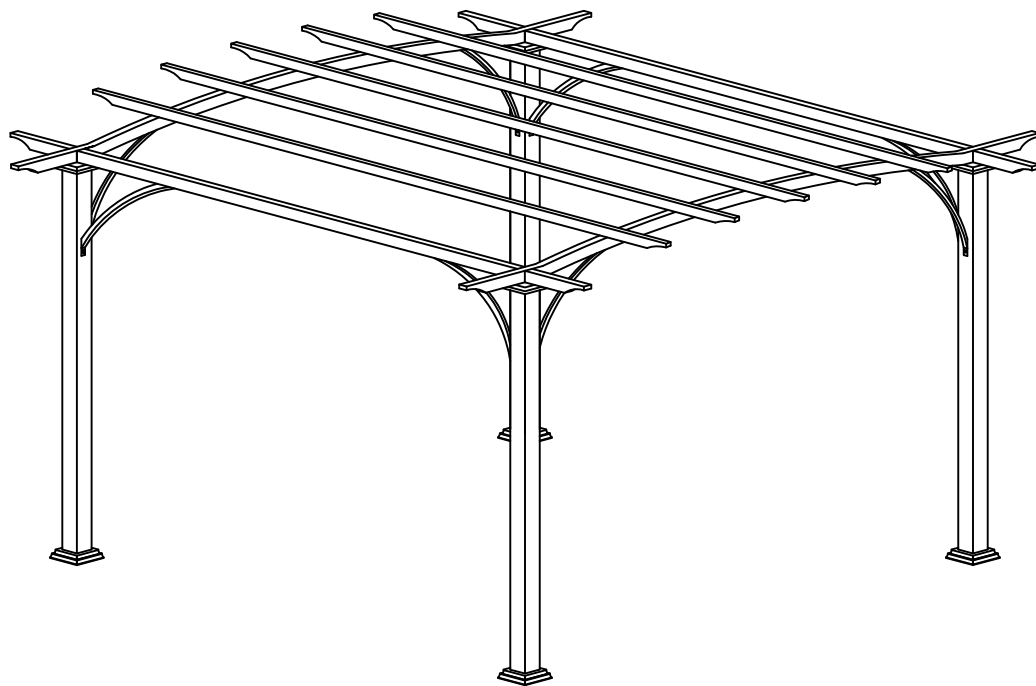
Damages due to vandalism, abuse and/or misuse of the product are not covered by the Warranty.

Damages due to weather conditions, such as storms or winds

Damages due to any type of misuse or improper installation of the unit.

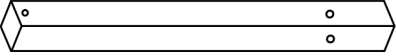

It is recommended to remove the canopy cover in the event of winds or impending weather. Manufacturer is not responsible for damaged parts due to Acts of God.

Product not meant for commercial use

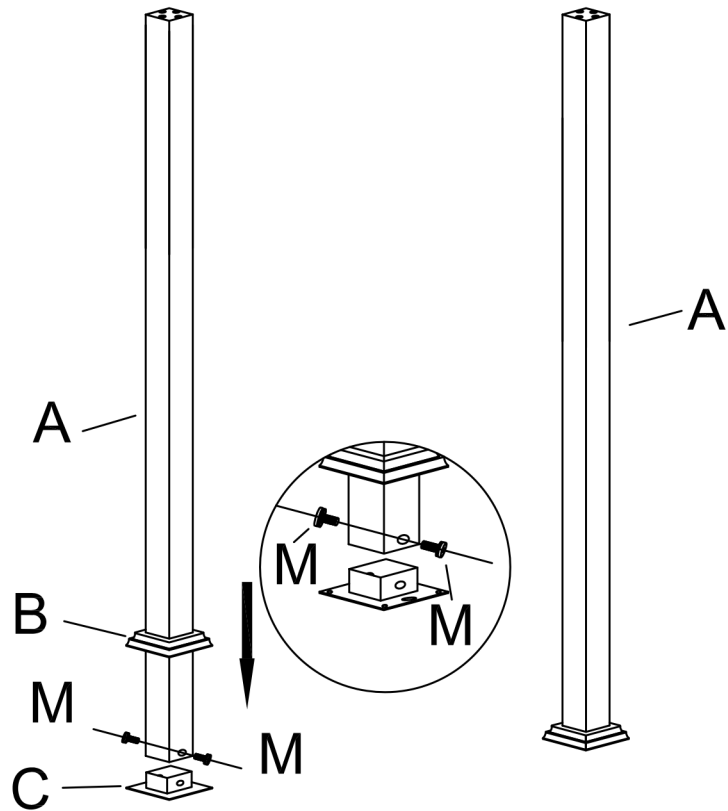


## Parts list

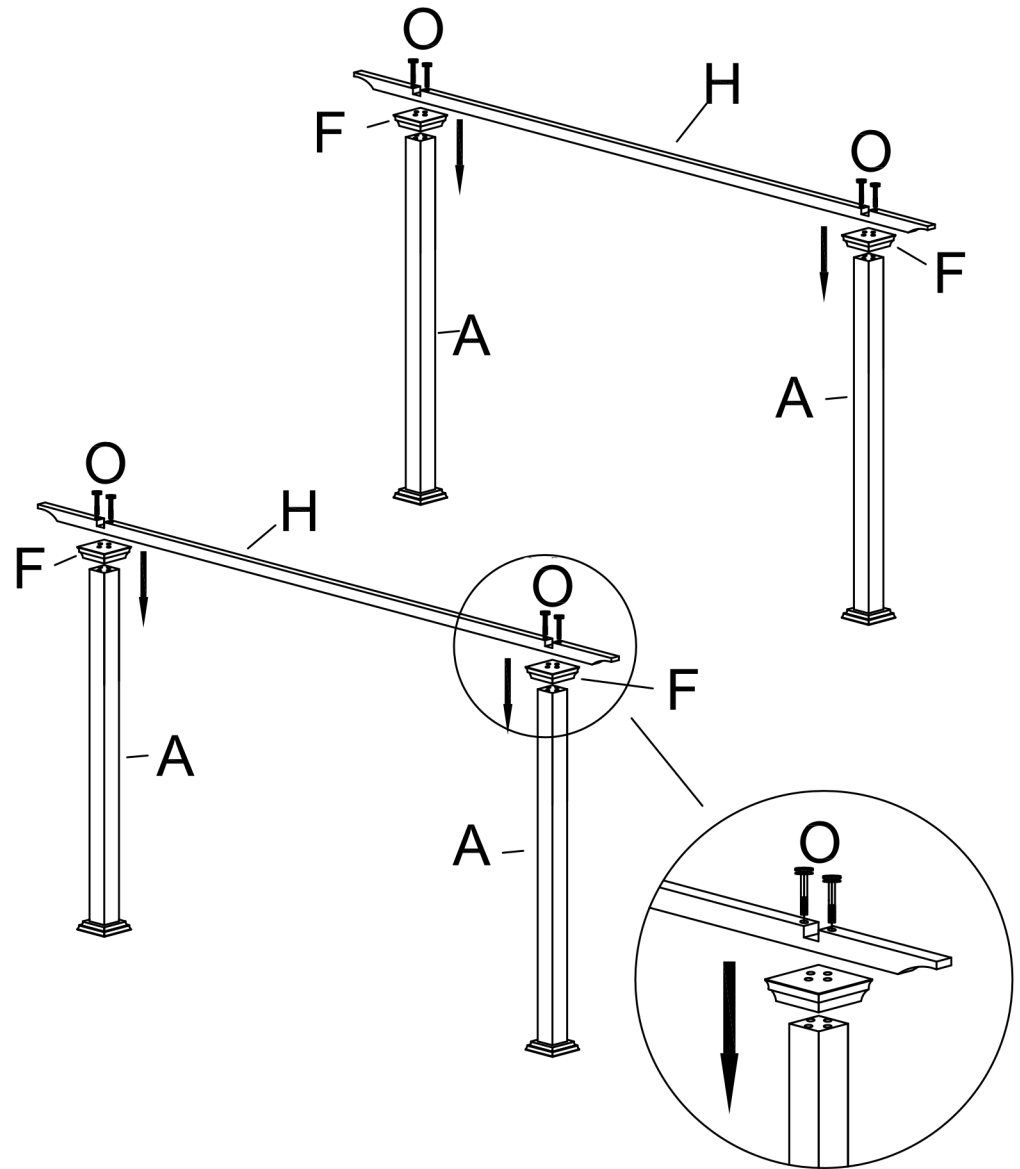
ITEM	DESCRIPTION	QTY	ILLUSTRATION
A	POST	4	
B	BASE CAP	4	
C	FLANGE BASE	4	
D	SUPPORTING TUBE	4	
E	SUPPORTING TUBE	4	
F	TOP CAP	4	
G	LONG CROSSBAR	2	
H	SHORT CROSSBAR	2	
I	SHORT ROOF TUBE	5	
J	WEIGHT BAR	2	
K	TOP	1	
L	STAKE	16	
M	SHORT SCREW	24	
N	MEDIUM SCREW	10	
O	LONG SCREW	16	
P	HEX WRENCH	2	

A  x4 C  x4

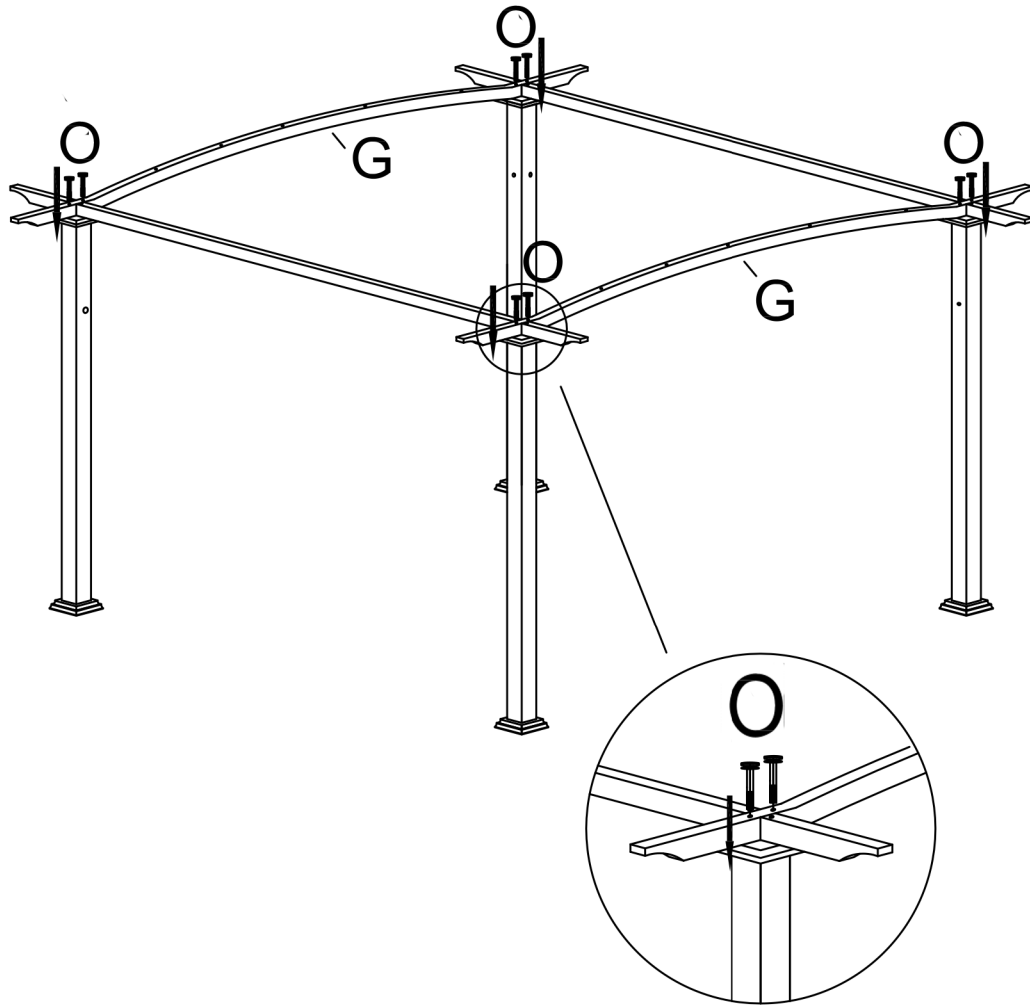
B  x4



1, Insert base cap(B) into post(A). Then using screw(M) secure base flange(C) on the bottom of post(A). Repeat for remaining 3 posts(A).



**You need 3 persons for this step.**  
2, Place the assembled short crossbar set (H) over the post(A) with top cap(F), then secure short crossbar set(H) for this step, make sure screw holes are pointed in correct direction repeat for other side

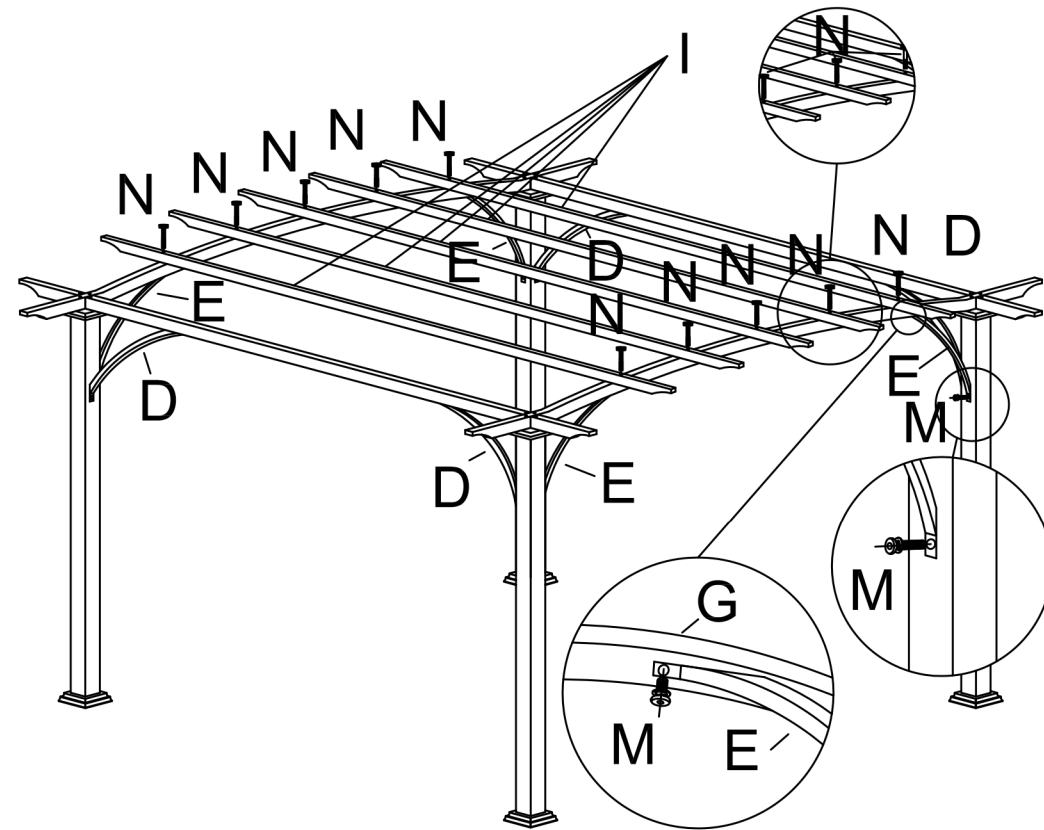


**You need 3 persons for this step.**

Please note all screw holes should point on the inward side of the frame

3, Place the assembled long crossbar set (G) over the short crossbar set (H), then secure long crossbar set (G) through short crossbar set (H) onto the post (A) by using long screw (O) as shown.

Repeat for remaining long crossbar set (G).



4, Place the assembled roof tube set (I) onto the assembled long crossbar set (G), then secure them by using medium screw (N).

Repeat for all assembled roof tube set.

5, Attach the supporting tube (E) onto long crossbar set (G) and post (A) with short screw (M).

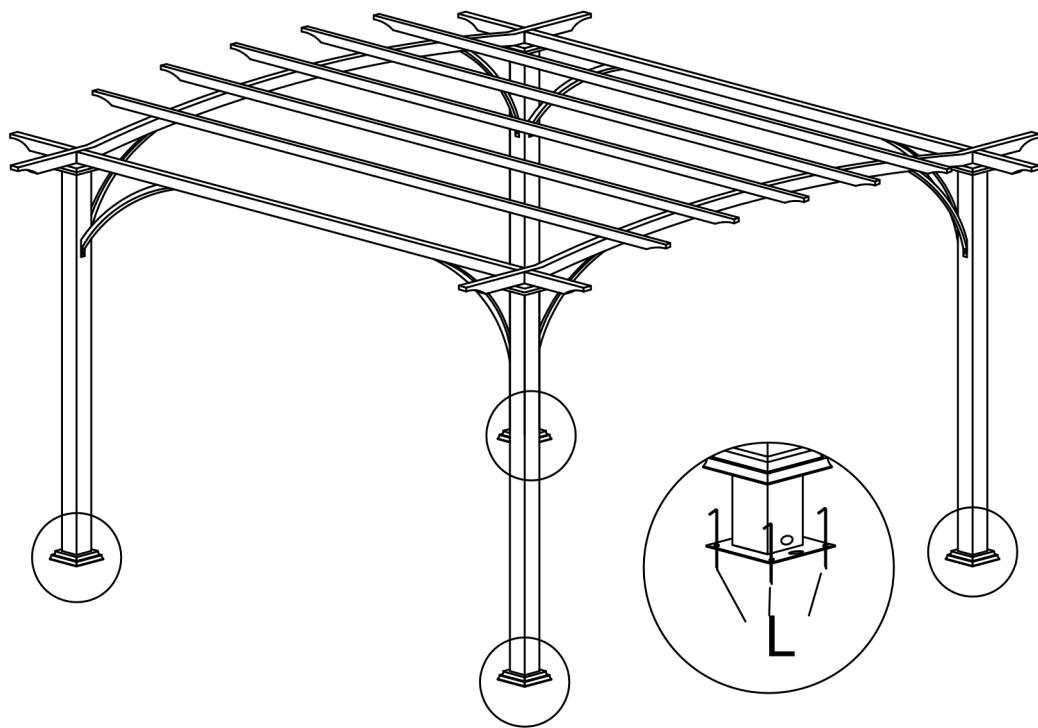
6, Attach the supporting tube (D) onto short crossbar set (H) and post (A) with short screw (M).



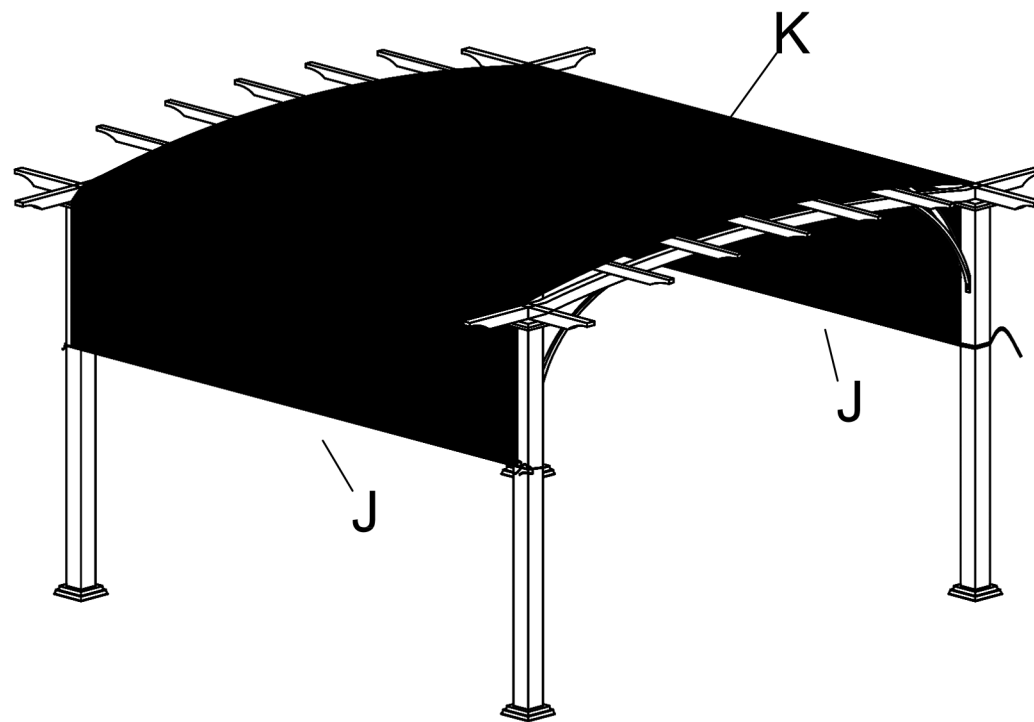
L



x16



7, Raise up the base cap(B), put the stake (L) through the base flange(C) and insert the into the earth, then put down the base cap(B).



8, Put the top(K) on the pergola and put the weight bar(J) into the top(K).  
When tying canopy straps, do not pull hard to overtighten



**BACKYARD** *expressions*

PATIO • HOME • GARDEN

Please help us give you the best possible service by emailing your parts & service needs to: [ddiparts@ddicorp.com](mailto:ddiparts@ddicorp.com)

Emails are responded to daily and are the most accurate way to communicate item/parts needs.



This form is also available online at: <http://ddiretail.com/contact-us/>

Customer Name	
Mailing address	
Phone number	
Email address	
Item name	all black frame pergola with 3 x 3 inch corner posts with sling canopy
Item UPC Code	Begins with 6-81129-098101
Date of purchase	
Name of Store	
Specific Issue	
Part needed – please identify from assembly instructions	
Please keep original purchase receipt for best service	
– if you prefer you may also <b>leave a message</b> or send a <b>text</b> to this number: 1-612-888-7550– Your message will be replied to in the order received.	

Many parts are available to purchase from our website:

<https://backyard-expressions.com/collections/replacement-parts>