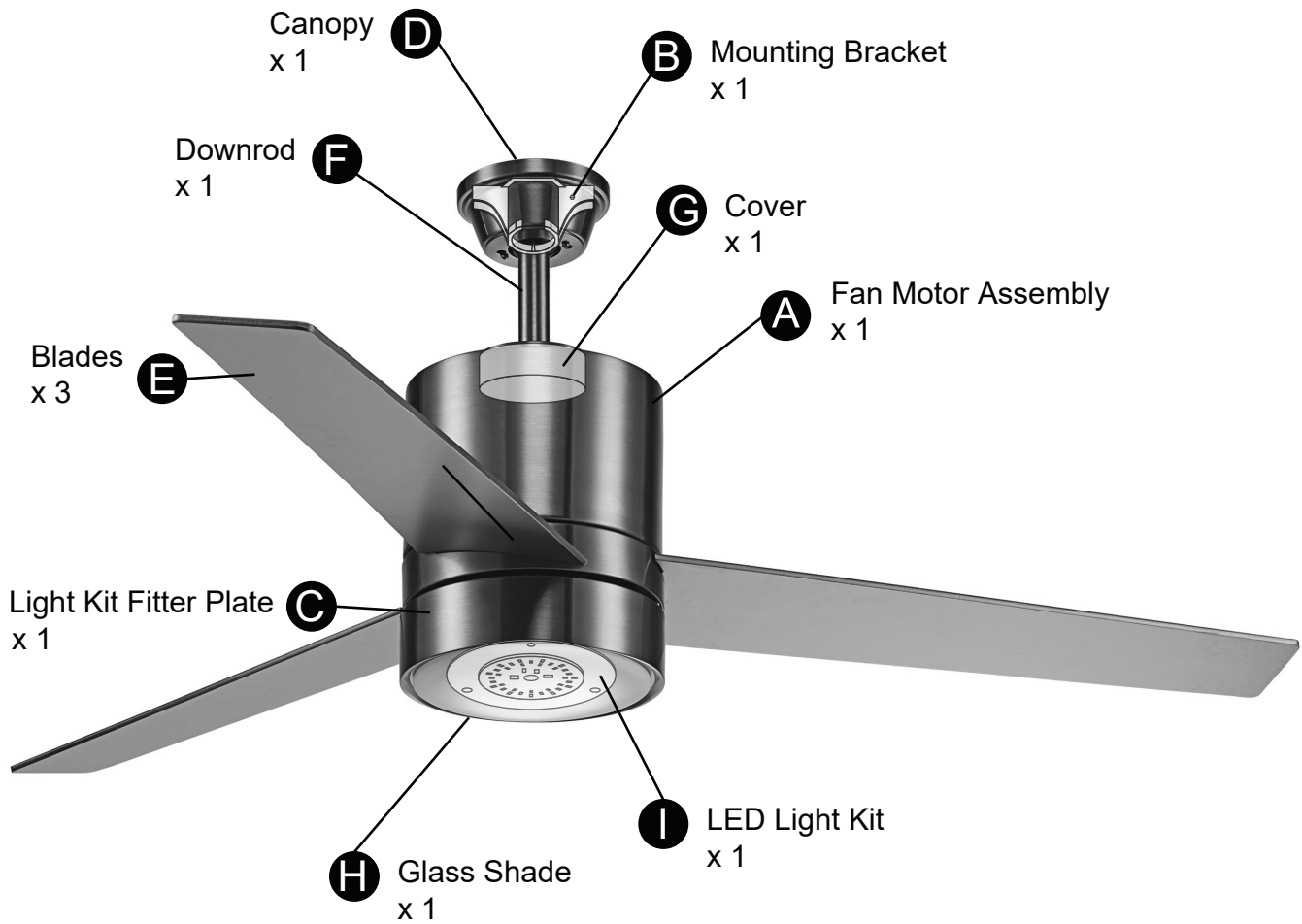
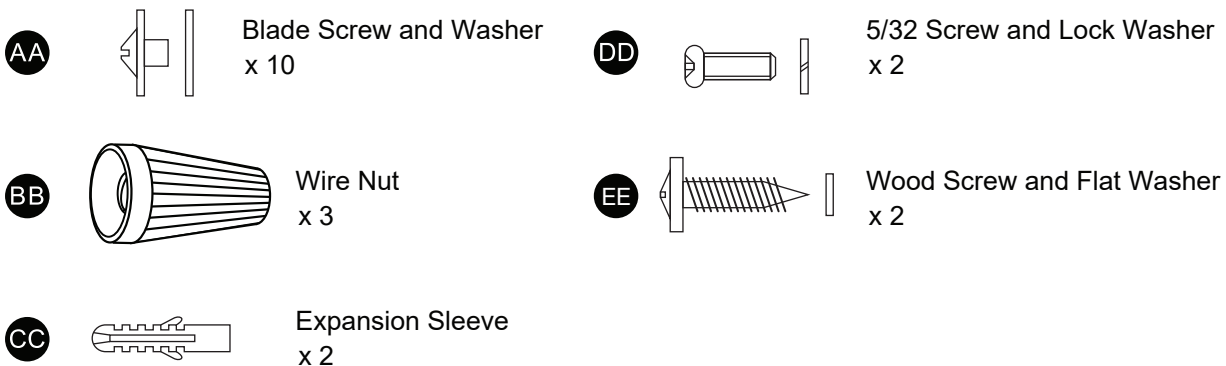


PACKAGE CONTENTS



HARDWARE CONTENTS Note: Hardware not shown actual size.



SAFETY INFORMATION

Please read and understand this entire manual before attempting to assemble, operate or install the product.

WARNING

- Turn off electricity at main fuse box (or circuit breaker box) before beginning installation by removing fuse (or switching off circuit breaker).
- Be careful not to damage or cut the wire insulation (covering) during fixture installation. Do not permit wires to contact any surface having a sharp edge. To do so may damage or cut the wire insulation, which could cause serious injury or death from electric shock.

CAUTION

- All electrical connections must be in agreement with local codes, ordinances or the national electric code (NEC). Contact your municipal building department to learn about your local codes, permits and/or inspections.
- Risk of fire – most dwellings built before 1985 have supply wire rated for 140°F/60°C. Consult a qualified electrician before installation.
- Do not connect this fixture to an electrical system that does not provide a means for equipment grounding. Never use a fixture in a two-wire system that is not grounded. If you are not sure your lighting system has a grounding means, do not attempt to install this fixture. Contact a qualified, licensed electrician for information with regards to proper grounding methods as required by the local electrical code in your area
- If a dimmer control switch is used with this fixture, obtain professional advice to determine the correct type and electrical rating required.

PREPARATION

Before beginning assembly, installation or operation of product, make sure all parts are present. Compare parts with package contents list and diagram on previous page. If any part is missing or damaged, do not attempt to assemble, install or operate the product. Contact customer service for replacement parts.

Tools Required for Assembly (not included): Screwdriver, Phillips Screwdriver, Pliers, Electrical Tape, Wire Cutters, Safety Glasses, Ladder, Wire Stripper

Make sure that the fan voltage (120) is compatible with your own electrical system. Check to make sure that your carton contains all the parts mentioned in the parts list.

NOTE: The box can be used as a work space to prevent any damage on the ornamental surface.

CAUTION: Before installing, choose a location for mounting the fan where the blades have at least 7 feet of clearance from all objects and floor. Mount an outlet box to the ceiling or use an existing box

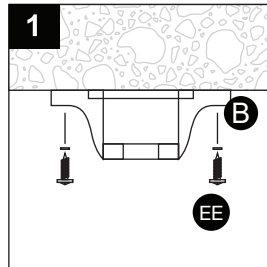
CAUTION: Do not mount fan to sheet rock or drywall type materials. To insure proper support, use the two #1 wood screws to secure mounting bracket to joist or beam. If the location you choose does not have a suitable support beam, install a 2"x 4" brace between ceiling joists to support. Check to make sure blades are at least 30" from any obstruction. Check Down rod Length to make sure blades are at least 7 .1' above the floor.

ASSEMBLY INSTRUCTIONS

1. Securely attach the mounting bracket (B) to an outlet box marked "Acceptable for Fan Support", using the supplied outlet box screws with lock washers (EE).

Drop-mount (for normal ceilings)

This method is preferred if the ceiling is sloped or vaulted, or if ceiling is extra high, requiring the need of a Downrod.

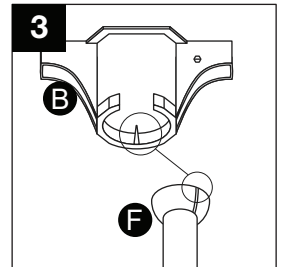


3. Carefully lift the fan assembly (A) onto the Mounting Bracket (B).

Rotate the fan until the notch on the Nylon Ball of the Downtube (F) fits against the ridge on the Mounting Bracket (B).

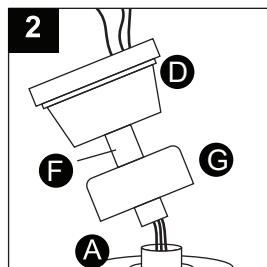
With the Mounting Bracket holding the fan assembly, follow wiring instructions.

WARNING: Failure to hold the fan assembly may result in serious injury or death.



2. Loosen the two Downrod Set Screws and remove the Clip and Connection Pin from the downrod coupling. Insert the Downrod (F) through Canopy (D) and Cover (G), pull lead wires through Downrod (F).

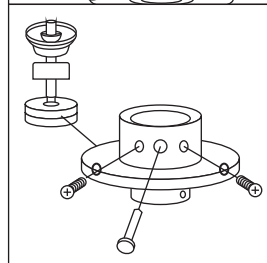
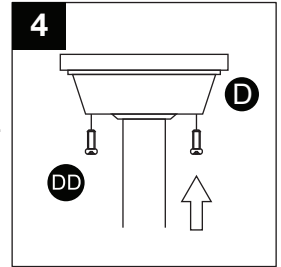
Insert Downrod (F) into downrod coupling. Make sure to align holes in Downrod with the holes in the coupling. Insert the Clip into the Connection Pin until it snaps into place. Tighten the Screws in the downrod coupling.



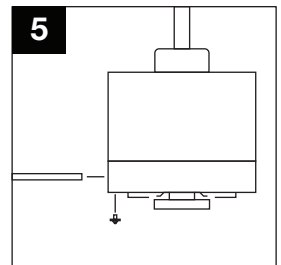
4. Unhook the assembly from the mounting bracket (B).

Hold the assembly by the canopy (D) and raise up to align the two holes in the canopy (D) with the holes in the mounting bracket (B).

Tighten the loosened screws. Now re-secure the screws and washers which were removed (DD).

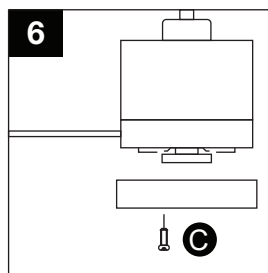


5. Locate 9 blade attachment screws and washers (AA) in hardware pack. Slide blade (E) through centre band and align holes. Insert 3 blade attachment screws and washers (AA) with fingers. Tighten securely with a screwdriver. Repeat for the remaining blades (E).



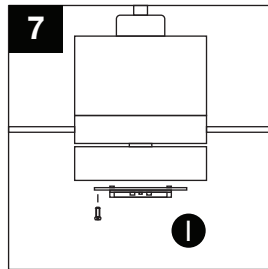
6. Remove 1 screw from motor plate on underside of motor and partially loosen the other 2 screws.

Align slotted holes in fitter plate (C) with loosened screws in motor plate, allowing moxex to come through centre hole in fitter plate. Twist fitter plate (C) to lock. Re-insert screw that was previously removed and securely tighten all 3 screws with a crosshead screwdriver.

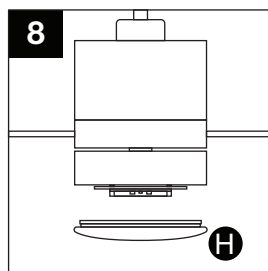


7. Remove 1 screw from motor plate on underside of motor and partially loosen the other 2 screws.

Connect blue wire from motor assembly to black wire from the LED light kit (I). Connect white wire from motor assembly to white wire from LED light kit (I). Make sure moxex connections snap together completely.



8. Gently push up on glass shade (H) and turn to the RIGHT (clockwise) until it slides completely into place
NOTE: Pull down VERY GENTLY on glass shade (H) to make sure that it is secure.

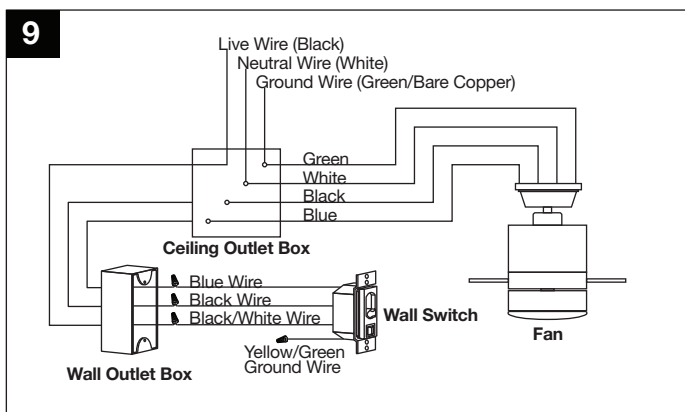


9. Fan wire connection:

- A. Connect blue wire from fan to blue wire from ceiling outlet box.
- B. Connect black wire from fan to white wire from ceiling outlet box.
- C. Connect white wire from fan to white wire (neutral) from ceiling outlet box.
- D. Connect green ground wires from downrod and bracket to ground wire (green or bare copper) from ceiling outlet box.

Wall switch connection:

- A. Connect black wire (live) from ceiling outlet box to black /white wire from wall switch.
- B. Connect white wire from ceiling outlet box to black wire from wall switch.
- C. Connect blue wire from ceiling outlet box to blue wire from wall switch.



***The black wire, white wire and blue wire between ceiling outlet box and wall outlet box are conductor cables.

*** If your wall outlet box has a ground wire (green or bare copper), connect the yellow/ green ground wire from wall switch to it with a wire nut. Otherwise connect the yellow/ green ground wire from wall switch to one of the screws from the wall outlet box.

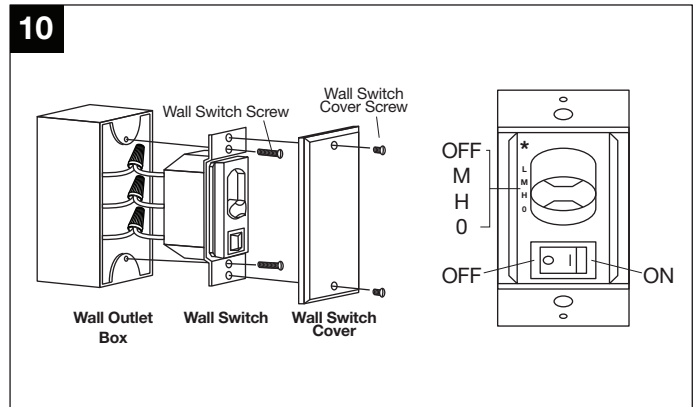
*** After the connections have been made, the wires from fan should be pushed up carefully into the ceiling outlet box.

WARNING: Be sure no bare wire or wire strands are visible after making connection. Place green and white connections on opposite side of box from the black and blue (if applicable) connections.

10. Wall Switch Installation:

Carefully tuck the wire connections from wall switch inside wall outlet box. Secure the wall switch with two wall switch screws provided. Attach the wall switch cover over the wall switch and secure with two wall switch cover screws provided.

Warning: Hook up in "series only". Do not connect the live and neutral wires of the electric circuit to the wall switch- damage to the switch and possible fire could occur.



Operation:

The fan 3-speed control is used to set the fan speeds as follows:

- 0= Turns the fan off
- H= High Speed
- M= Medium Speed
- L= Low Speed
- "OFF-ON" light Button: Turn on/off the light

Forward and reverse direction function:

This ceiling fan is equipped with a Reverse Switch for downward or upward air-flow.

NOTE: Do not use the Reverse Switch when the fan blades are in motion.

Forward function

On this setting, the fan will turn counterclockwise to create a cooling effect. Use this function during warmer weather to circulate the hot air away from your living space.

Reverse function

On this setting, the fan will turn clockwise. Use this function during cooler weather to re-circulate warm air.

CARE AND MAINTENANCE

- Because of the fan's natural movement, some connections may become loose. Check the support connections, brackets and blade attachments twice a year. Make sure they are secure.
- There is no need to oil your fan. The motor has permanently-lubricated bearings.
- Dust your fan periodically with a soft, dry cloth. Do not use harsh cleaners or materials as they may damage the unit.
- To prevent bending the blades during cleaning, support the blades so that no pressure is applied to them.

Caution!

Do not allow water to come in contact with fan blades or the ceiling fan. Doing so will create fire and/ or shock hazards, damaging property.

TROUBLESHOOTING

PROBLEM	CORRECTIVE ACTION
Fan Will not Start	1. Check fuse or circuit breaker and replace if necessary.
	2. Turn off electrical power and check all wire connectors.
	3. Check to make sure light kit and glass are installed properly and tight.
Fan Wobbles	1. Check that all blades are screwed firmly into blade holders.
	2. Check that all blade holders are screwed firmly into motor.
	3. Check the weight of blades. All our blades are weighed on electronic scales. The weight is marked on the reverse side of the fan blade near the motor end. All of the blades should be the same weight to prevent fan from wobbling.
	4. A balancing kit is enclosed if needed.

1-YEAR LIMITED WARRANTY:

This PATRIOT LIGHTING® brand light fixture carries a One (1) Year Limited Warranty to the original purchaser. If, during normal use, this PATRIOT LIGHTING® light fixture fails due to a defect in material and workmanship within one (1) year from the date of purchase, simply bring this light fixture with your original sales receipt back to your nearest MENARDS® retail store. At its discretion, PATRIOT LIGHTING® agrees to have the lighting fixture replaced with the same or similar PATRIOT LIGHTING® product free of charge, within the stated warranty period, when returned by the original purchaser with original sales receipt. Notwithstanding the foregoing, this limited warranty does not cover damage or failure caused by misuse or abuse including but not limited to improper installation, accident, unauthorized repair, maintenance, or modifications of the merchandise. This warranty: (1) excludes expendable parts including but not limited to light bulbs, batteries; (2) carries a 2-year finish warranty protecting finish against tarnishing, flaking, and discoloration; (3) shall be void if this lighting fixture is not installed in the U.S.A.; (4) does not cover products installed within three miles of saltwater coastline or any area prone to salt spray; and (5) does not cover any losses, labor, injuries to persons/property or costs. This warranty does not give you specific legal rights and you may have other rights, which vary from state to state. Be careful, it is recommended that installation be done by a qualified professional; the purchaser has sole responsibility for proper installation in compliance with all state and local code requirements. Seller's employees are not qualified to advise you on the use of the Merchandise. Any oral representation(s) made will not be binding on seller or its employees. The rights under this limited warranty are to the original purchaser of the Merchandise and may not be transferred to any subsequent owner. This limited warranty is in lieu of all warranties, expressed or implied including warranties or merchantability and fitness for a particular purpose. Seller shall not be liable for any special, incidental, or consequential damages. The sole exclusive remedy against the seller will be for the replacement of any defects as proceeded herein, as long as the seller is willing or able to replace this product or is willing to refund the purchase price as provided above.



Questions, problems, missing parts?

Before returning to your retailer, call our customer service at 1-800-446-9092, Monday - Friday 7:00 a.m.-5:00 p.m., PST

