

# TROMM™ DRYERS

## USER'S GUIDE & INSTALLATION INSTRUCTIONS

Before beginning installation, read these instructions carefully. This will simplify installation and ensure that the dryer is installed correctly and safely. Leave these instructions near the dryer after installation for future reference.

# TROMM™ SECADORAS

## GUÍA DEL USUARIO E INSTRUCCIONES DE INSTALACIÓN

Antes de comenzar la instalación, lea atentamente estas instrucciones. Esto simplificará la instalación y asegurará que la secadora está instalada en forma correcta y segura. Conserve estas instrucciones cerca de la secadora luego de la instalación para futuras consultas.

### Models/Modelos

Electric/Eléctrica	Gas/Gas
DLE5955W	DLG5966W
DLE5955G	DLG5966G

To contact LG Electronics, 24 hours a day,  
7 days a week:

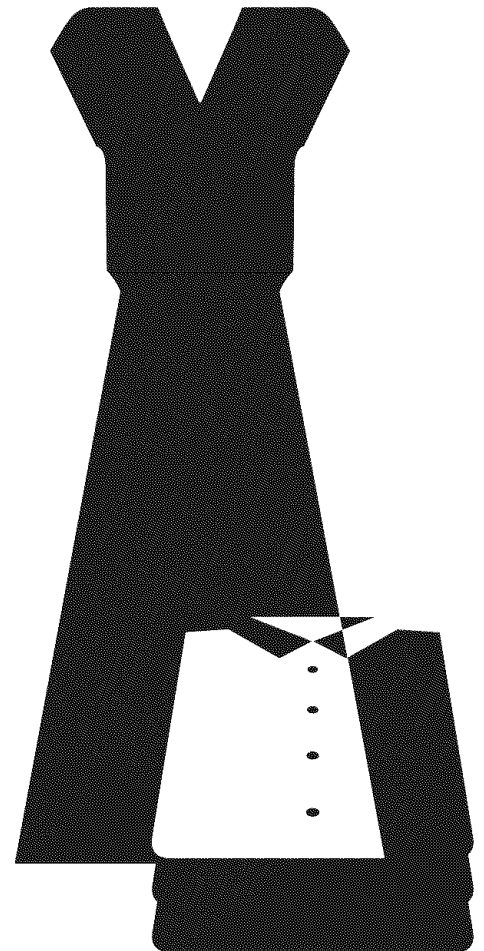
**1-800-243-0000**

Or visit us on the Web at: [us.lge.com](http://us.lge.com)

Pour contacter LG Electronics, 24 heures  
par jour, 7 jours par semaine :

**1-800-243-0000**

ou visitez notre site Web à l'adresse :  
[us.lge.com](http://us.lge.com)



# INTRODUCTION

## IMPORTANT SAFETY INSTRUCTIONS

Basic Safety Precautions .....	3
What to Do if You Smell Gas .....	4
Grounding Instructions .....	5
Safety Instructions for Installation .....	5, 6
Safety Instructions for Connecting Electricity .....	7

## PARTS AND FEATURES

Special Features .....	8
Key Parts and Components .....	9

## INSTALLATION INSTRUCTIONS

Choose the Proper Location .....	10
Clearances .....	10
Installation With Optional Pedestal Base or Stacking Kit .....	11
Leveling the Dryer .....	12
Reversing the Door Swing .....	12
Changing the Dryer Vent Location .....	13
Venting the Dryer .....	14, 15
Connecting Gas Dryers .....	16 17
Connecting Electric Dryers .....	18
Special Requirements for Manufactured or Mobile Homes .....	19
Final Installation Check .....	19
Duct Condition Testing .....	20

## HOW TO USE

Sorting Loads .....	21
Loading the Dryer .....	21
Check the Lint Filter Before Every Load .....	21
Control Panel Features .....	22
Cycle Guide .....	23
The Time and Status Display .....	24
The Duct Blockage Sensing System .....	24
Operating the Dryer .....	25
Cycle Setting Buttons .....	26
Cycle Option Buttons .....	27
Special Functions .....	28
Custom Program .....	28

## CARE AND CLEANING

Regular Cleaning .....	29
------------------------	----

## TROUBLESHOOTING

Before Calling for Service .....	30–32
----------------------------------	-------

## SPECIFICATIONS/OPTIONAL ACCESSORIES

Optional Accessories .....	32
Pedestal Installation .....	33, 34
Stacking Kit Installation .....	35, 36
Key Dimensions and Specifications .....	36

## WARRANTY

Product Information Registration .....	37
--	----

## THANK YOU!

Congratulations on your purchase and welcome to the LG family. Your new LG Dryer combines the most advanced drying sensor technology with simple operation and high efficiency. By following the operating and care instructions in this manual, your dryer will provide you with many years of reliable service.



# IMPORTANT SAFETY INSTRUCTIONS

## READ ALL INSTRUCTIONS BEFORE USE

**⚠️WARNING** For your safety, the information in this manual must be followed to minimize the risk of fire or explosion, electric shock, or to prevent property damage, personal injury, or loss of life.

### Your Safety and the safety of others is very important.

We have provided many important safety messages in this manual and on your appliance. Always read and obey all safety messages.



This is the safety alert symbol.

This symbol alerts you to potential hazards that can kill or hurt you and others.

All safety messages will follow the safety alert symbol and either the word DANGER or WARNING.

These words mean:

**⚠️DANGER:** You can be killed or seriously injured if you don't immediately follow instructions.

**⚠️WARNING:** You can be killed or seriously injured if you don't follow instructions.

All safety messages will tell you what the potential hazard is, tell you how to reduce the chance of injury, and tell you what can happen if the instructions are not followed.

## BASIC SAFETY PRECAUTIONS

**⚠️WARNING:** To reduce the risk of fire, electric shock, or injury to persons when using this appliance, follow basic precautions, including the following:

- Read all instructions before using the dryer.
- Before use, the dryer must be properly installed as described in this manual.
- Do not place items exposed to cooking oils in your dryer. Items contaminated with cooking oils may contribute to a chemical reaction that could cause a load to catch fire.
- Do not dry articles that have been previously cleaned in, washed in, soaked in, or spotted with gasoline, dry-cleaning solvents, other flammable or explosive substances as they give off vapors that could ignite or explode.
- Do not reach into the dryer if the drum or any other part is moving.
- Do not repair or replace any part of the dryer or attempt any servicing unless specifically recommended in this Use and Care Guide or in published user-repair instructions that you understand and have the skills to carry out.
- Do not tamper with controls.
- Before the dryer is removed from service or discarded, remove the door to the drying compartment.
- Do not allow children to play on or in the dryer. Close supervision of children is necessary when the dryer is used near children.
- Do not use fabric softeners or products to eliminate static unless recommended by the manufacturer of the fabric softener or product.
- Do not use heat to dry articles containing foam rubber or similarly textured rubber-like materials.
- Keep area around the exhaust opening and adjacent surrounding areas free from the accumulation of lint, dust, and dirt.
- The interior of the dryer and exhaust vent should be cleaned periodically by qualified service personnel.
- Do not install or store the dryer where it will be exposed to the weather.
- Always check the inside of the dryer for foreign objects
- Clean lint screen before or after each load.
- The dryer must not be installed or stored in an area where it will be exposed to water.

# IMPORTANT SAFETY INSTRUCTIONS

## READ ALL INSTRUCTIONS BEFORE USE

**⚠ WARNING** For your safety, the information in this manual must be followed to minimize the risk of fire or explosion, electric shock, or to prevent property damage, personal injury, or loss of life.

- Do not store or use gasoline or other flammable vapors and liquids in the vicinity of this appliance or any other appliances.
- Installation and service must be performed by a qualified installer, service agency, or the gas supplier.

## WHAT TO DO IF YOU SMELL GAS:

1. Do not try to light a match or cigarette, or turn on any gas or electrical appliance.
2. Do not touch any electrical switches. Do not use any phone in your building.
3. Clear the room, building, or area of all occupants.
4. Immediately call your gas supplier from a neighbor's phone. Follow the gas supplier's instructions carefully.
5. If you cannot reach your gas supplier, call the fire department.

## CALIFORNIA SAFE DRINKING WATER AND TOXIC ENFORCEMENT ACT

This act requires the governor of California to publish a list of substances known to the state to cause cancer, birth defects, or other reproductive harm and requires businesses to warn customers of potential exposure to such substances.

Gas appliances can cause minor exposure to four of these substances, namely benzene, carbon monoxide, formaldehyde, and soot, caused primarily by the incomplete combustion of natural gas or LP fuels.

Properly adjusted dryers will minimize incomplete combustion. Exposure to these substances can be minimized further by properly venting the dryer to the outdoors.

# IMPORTANT SAFETY INSTRUCTIONS

## READ ALL INSTRUCTIONS BEFORE USE

**⚠️ WARNING** For your safety, the information in this manual must be followed to minimize the risk of fire or explosion, electric shock, or to prevent property damage, personal injury, or loss of life.

### GROUNDING INSTRUCTIONS

This appliance must be grounded. In the event of malfunction or breakdown, grounding will reduce the risk of electric shock by providing a path of least resistance for electric current. This appliance must be equipped with a cord having an equipment-grounding conductor and a grounding plug. The plug must be plugged into an appropriate outlet that is properly installed and grounded in accordance with all local codes and ordinances.

**⚠️ WARNING** — Improper connection of the equipment-grounding conductor can result in a risk of electric shock. Check with a qualified electrician or service

person if you are in doubt as to whether the appliance is properly grounded.

Do not modify the plug provided with the appliance. If it will not fit the outlet, have a proper outlet installed by a qualified electrician.

This appliance must be connected to a grounded metal, permanent wiring system or an equipment-grounding conductor must be run with the circuit conductors and connected to the equipment-grounding terminal or lead on the appliance.

Electrical shock can result if the dryer is not properly grounded.

### SAFETY INSTRUCTIONS FOR INSTALLATION

**⚠️ WARNING:** To reduce the risk of fire, electric shock, or injury to persons when using this appliance, follow basic precautions, including the following:

- **Properly ground dryer to conform with all governing codes and ordinances.** Follow details in the installation instructions. Electrical shock can result if the dryer is not properly grounded.
- **Before use, the dryer must be properly installed as described in this manual.** Electrical shock can result if the dryer is not properly grounded.
- **Install and store the dryer where it will not be exposed to temperatures below freezing or exposed to the weather.**
- **All repairs and servicing must be performed by an authorized servicer unless specifically recommended in this Owner's Guide. Use only authorized factory parts.** Failure to follow this warning can cause serious injury, fire, electrical shock or death.
- **To reduce the risk of electric shock, do not install the dryer in humid spaces.** Failure to follow this warning can cause serious injury, fire, electrical shock or death.
- **Connect to a properly rated, protected, and sized power circuit to avoid electrical overload.** Improper power circuit can melt, creating electrical shock and/or fire hazard.
- **Remove all packing items and dispose of all shipping materials properly.** Failure to do so can result in death, explosion, fire or burns.
- **Place dryer at least 18 in. above the floor for a garage installation.** Failure to do so can result in death, explosion, fire or burns.
- **Keep all packaging from children.** Packaging material can be dangerous for children. There is a risk of suffocation.

# IMPORTANT SAFETY INSTRUCTIONS

## READ ALL INSTRUCTIONS BEFORE USE

**⚠ WARNING** For your safety, the information in this manual must be followed to minimize the risk of fire or explosion, electric shock, or to prevent property damage, personal injury, or loss of life.

### SAFETY INSTRUCTIONS FOR INSTALLATION

#### Exhaust/Ducting:

- **Gas dryers MUST be exhausted to the outside.** Failure to follow these instructions can result in fire or death.
- **The dryer exhaust system must be exhausted to the outside of the dwelling. If the dryer is not exhausted outdoors, some fine lint and large amounts of moisture will be expelled into the laundry area.** An accumulation of lint in any area of the home can create a health and fire hazard.
- **Use only rigid metal or flexible metal 4-in. diameter ductwork inside the dryer cabinet or for exhausting to the outside. Use of plastic or other combustible ductwork can cause a fire.** Punctured ductwork can cause a fire if it collapses or becomes otherwise restricted in use or during installation.
- **Ductwork is not provided with the dryer, and you should obtain the necessary ductwork locally. The end cap should have hinged dampers to prevent backdraft when the dryer is not in use.** Failure to follow these instructions can result in fire or death.
- **The exhaust duct must be 4 in. (10 cm) in diameter with no obstructions. The exhaust duct should be kept as short as possible. Make sure to clean any old ducts before installing your new dryer.** Failure to follow these instructions can result in fire or death.
- **Rigid or semi rigid metal ducting is recommended for use between the dryer and the wall. In special installations when it is impossible to make a connection with the above recommendations, a UL-listed flexible metal transition duct may be used between the dryer and wall connection only. The use of this ducting will affect drying time.** Failure to follow these instructions can result in fire or death.
- **DO NOT use sheet metal screws or other fasteners which extend into the duct that could catch lint and reduce the efficiency of the exhaust system.** Secure all joints with duct tape. For complete details, follow the Installation Instructions. Failure to follow these instructions can result in fire or death.

# IMPORTANT SAFETY INSTRUCTIONS

## READ ALL INSTRUCTIONS BEFORE USE

**⚠️ WARNING** For your safety, the information in this manual must be followed to minimize the risk of fire or explosion, electric shock, or to prevent property damage, personal injury, or loss of life.

## SAFETY INSTRUCTIONS FOR CONNECTING ELECTRICITY

**⚠️ WARNING:** To reduce the risk of fire, electric shock, or injury to persons when using this appliance, follow basic precautions, including the following:

- **Do not, under any circumstances, cut or remove the ground prong from the power cord.** To prevent personal injury or damage to the dryer, the electrical power cord must be plugged into a properly grounded outlet.
- **For personal safety, this dryer must be properly grounded.** Failure to do so can result in electrical shock or injury.
- **Refer to the installation instructions in this manual for specific electrical requirements for your model.** Failure to follow these instructions can create an electrical shock hazard and/or a fire hazard.
- **This dryer must be plugged into a properly grounded outlet. Electrical shock can result if the dryer is not properly grounded. Have the wall outlet and circuit checked by a qualified electrician to make sure the outlet is properly grounded.** Failure to follow these instructions can create an electrical shock hazard and/or a fire hazard.
- **The dryer should always be plugged into its own individual electrical outlet which has a voltage rating that matches the rating plate.** This provides the best performance and also prevents overloading house wiring circuits which could cause a fire hazard from overheated wires.
- **Never unplug your dryer by pulling on the power cord. Always grip plug firmly and pull straight out from the outlet.** The power cord can be damaged, resulting in a risk of fire and electrical shock.
- **Repair or replace immediately all power cords that have become frayed or otherwise damaged. Do not use a cord that shows cracks or abrasion damage along its length or at either end.** These power cord can melt, creating electrical shock and/or fire hazard.
- **When installing or moving the dryer, be careful not to pinch, crush, or damage the power cord.** This will prevent injury and prevent damage to the dryer from fire and electrical shock.

**SAVE THESE INSTRUCTIONS**

# PARTS AND FEATURES

## SPECIAL FEATURES

### 1 EASY-TO-USE CONTROL PANEL

Rotate the Cycle Selector Knob to select the desired dry cycle. Adjust settings and add cycle options with the touch of a button.

### 2 EASY-ACCESS REVERSIBLE DOOR

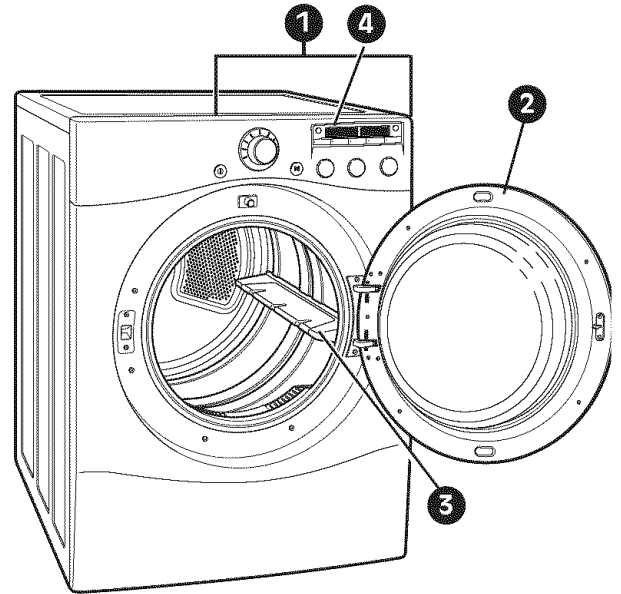
Wide-opening door provides easy access for loading and unloading. Door swing can be reversed to adjust for installation location.

### 3 ULTRA-CAPACITY STAINLESS STEEL DRUM WITH DRUM LIGHT

The ultra-large stainless steel drum offers superior durability. The drum is equipped with a yellow light that illuminates when the dryer door is open and turns off when the door is closed.

### 4 FLOWSENSE™ DUCT/FILTER BLOCKAGE SENSING SYSTEM

The FlowSense™ duct/filter blockage sensing system detects and alerts you to blockages in the filter and ductwork that reduce exhaust flow from the dryer. This not only helps prevent fires and save lives, it can improve operating efficiency and help minimize service calls, saving you money.



# PARTS AND FEATURES

## KEY PARTS AND COMPONENTS

In addition to the special features and components outlined in the *Special Features* section, there are several other important components that are referenced in this manual.

### 1 FRONT-MOUNT LINT FILTER

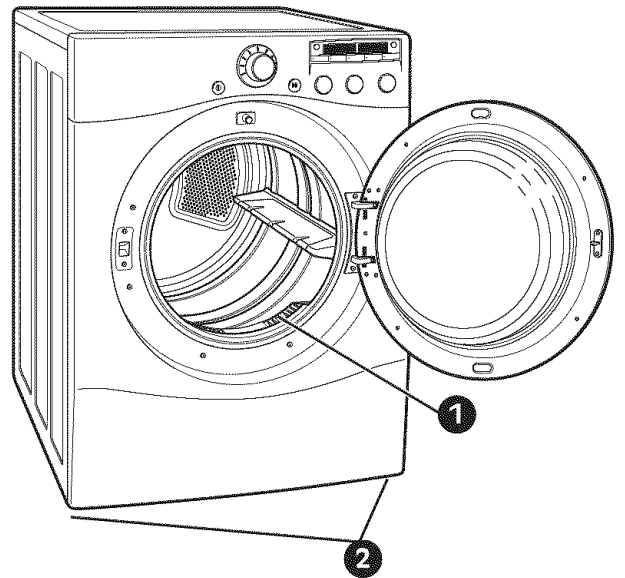
Front-mounted lint filter allows for easy access and cleaning after every load.

### 2 LEVELING FEET

Four leveling feet (two in the front, and two in the back) adjust to improve dryer stability on uneven floors.

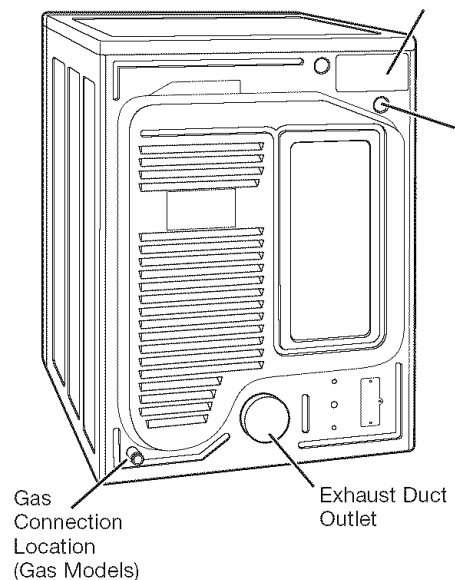
### 3 DRYING RACK

Use the drying rack with the RACK DRY cycle option. The drying rack allows items, such as sweaters, delicates, and gym shoes, to be placed in a flat position for drying.



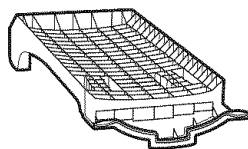
Terminal Block  
Access Panel  
(Electric Models)

Power  
Cord  
Location  
(Gas  
Models)



Rear of Dryer  
(Electric Model  
Shown)

### Included Accessories



3 Drying Rack



# INSTALLATION INSTRUCTIONS

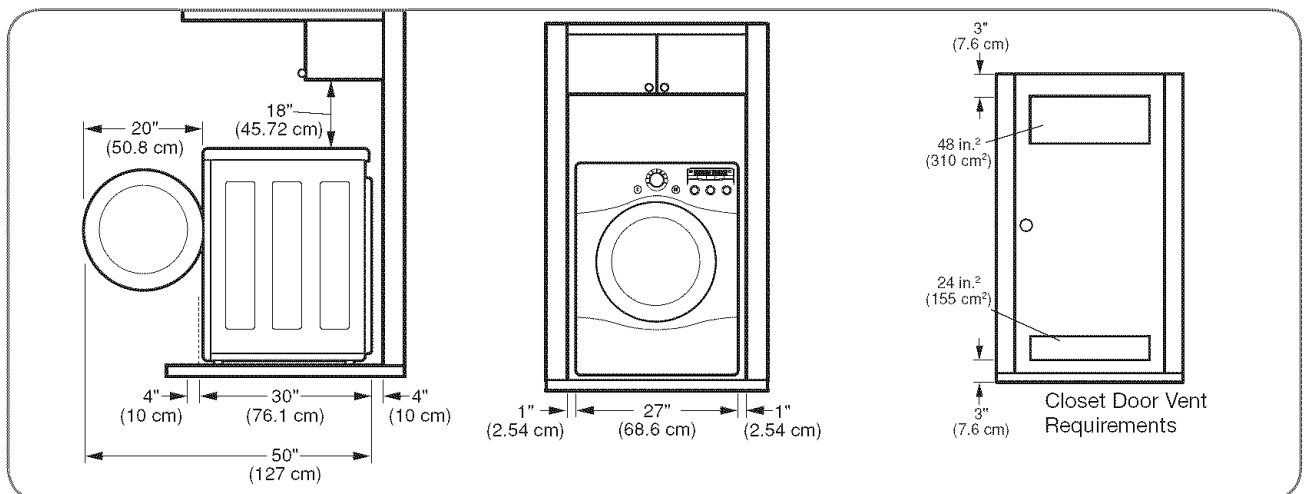
## IMPORTANT: Read all installation instructions completely before installing and operating your dryer!

It is important that you review this entire manual before installing and using your dryer. Detailed instructions concerning electrical connections, gas connections, and exhaust requirements are provided on the following pages.

## CHOOSE THE PROPER LOCATION

- Store and install the dryer where it will not be exposed to temperatures below freezing or exposed to outdoor weather conditions.
- Choose a location with a solid, level floor.
- If the dryer is being installed in a garage, place the dryer at least 18 in. (46 cm) above the floor.
- Properly ground dryer to conform with all governing codes and ordinances.
- To reduce the risk of electric shock, do not install the dryer in damp or wet locations.
- If you are installing your dryer in a manufactured or mobile home, please refer to the section *Special Requirements for Manufactured or Mobile Homes*.

## CLEARANCES



- Most installations require a minimum 5½ in. (14 cm) clearance behind the dryer for the exhaust ducting.
- Allow minimum clearances of at least 1 in. (2.5 cm) on the sides and back to minimize vibration and noise.
- Allowing additional clearance for installation and servicing is recommended.
- Be sure to allow for wall, door, or floor moldings that may increase the required clearances.
- Allow at least 24 in. (61 cm) in front of the dryer to open the door.

### Additional Instructions for closet installations:

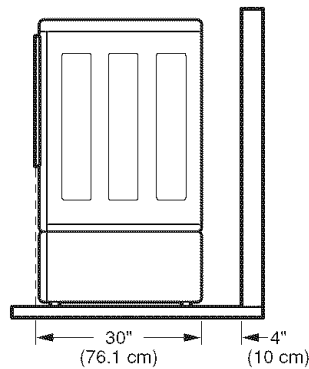
- The closet door must allow for sufficient airflow. Refer to the diagram above for minimum vent opening requirements. A louvered door is also acceptable.
- Make sure that there is at least 18 in. (46 cm) of clearance above the dryer.

# INSTALLATION INSTRUCTIONS

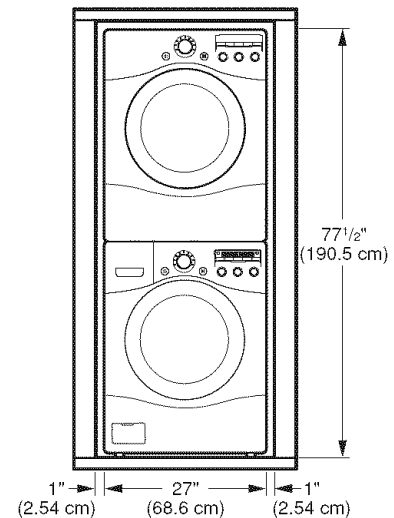
## INSTALLATIONS WITH OPTIONAL PEDESTAL BASE OR STACKING KIT

**IMPORTANT:** If you are installing your dryer using an optional pedestal base or stacking kit, please refer to *Optional Accessories* in this manual or to the instructions for your pedestal or stacking kit before proceeding with the installation.

Required Dimensions for Installation With Pedestal

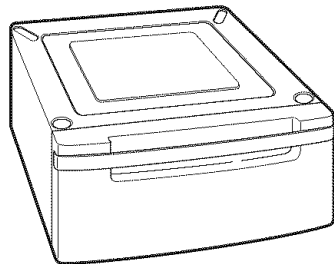


Required Dimensions for Installation With Stacking Kit



## OPTIONAL ACCESSORIES

For these and other LG products, contact your local LG dealer, or visit our Web site at [us.lge.com](http://us.lge.com).



*Pedestal (sold separately)*



*Stacking Kit (sold separately)*

# INSTALLATION INSTRUCTIONS

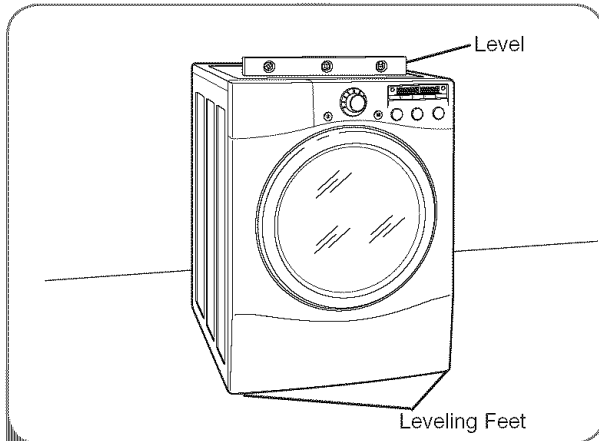
## LEVELING THE DRYER

To ensure that the dryer provides optimal drying performance, it must be level. To minimize vibration, noise, and unwanted movement, the floor must be a perfectly level, solid surface.

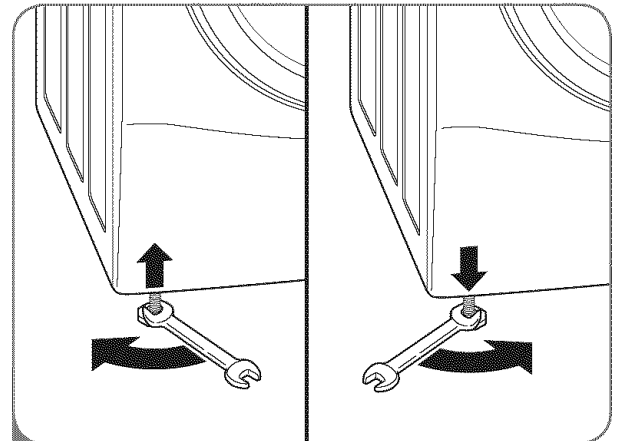
**NOTE:** Adjust the leveling feet only as far as necessary to level the dryer. Extending the leveling feet more than necessary can cause the dryer to vibrate.

- All four leveling feet must rest solidly on the floor. Gently push on the top corners of the dryer to make sure that the dryer does not rock from corner to corner.

If you are installing the dryer on the optional pedestal, you must use the leveling feet on the **pedestal** to level the dryer. The dryer leveling feet should be fully retracted.



- 1 Position the dryer in the final location. Place a level across the top of the dryer.

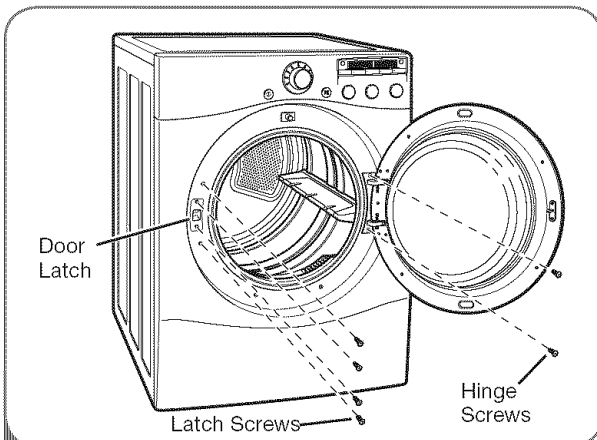


- 2 Use an adjustable wrench to turn the leveling feet. Turn clockwise to raise the dryer or counterclockwise to lower it. Raise or lower the leveling feet until dryer is level from side to side and front to back.

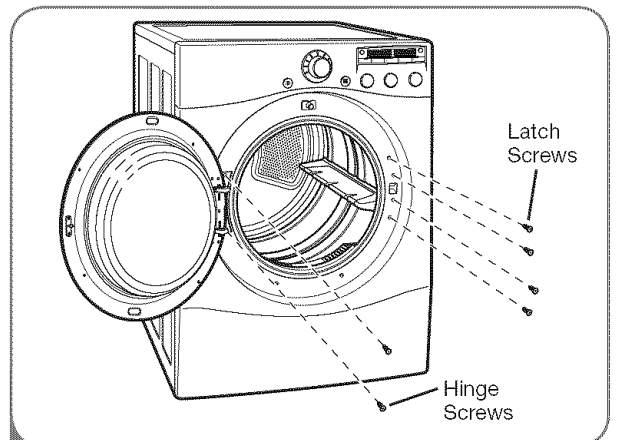
Make sure that all 4 leveling feet are in firm contact with the floor.

## REVERSING THE DOOR SWING

The swing of the dryer door can be reversed to fit your installation location.



- 1 Open the dryer door. Using a Phillips screwdriver, remove the 2 screws that secure the door hinge to the dryer door opening. Remove the 4 screws from the latch side of the dryer door opening, and remove the door latch.



- 2 Turn the door around so the hinge is reversed, and reattach the door using the 2 screws previously removed. Reinstall the door latch and the 4 screws.

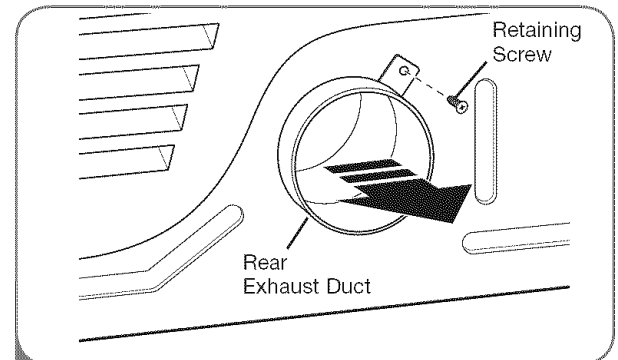
Test the door swing to make sure the door moves freely and latches securely.

# INSTALLATION INSTRUCTIONS

## CHANGING THE DRYER VENT LOCATION

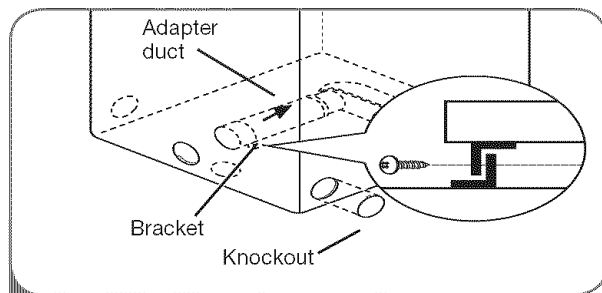
Your new dryer is shipped to vent to the rear. It can also be configured to vent to the bottom or side (right-side venting is not available on gas models).

An adapter kit, part number 383EEL9001B, may be purchased from your LG retailer. This kit contains the necessary duct components to change the dryer vent location.

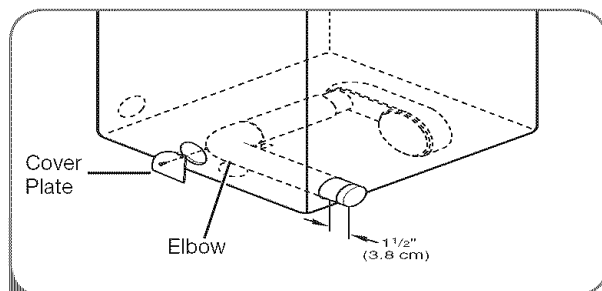


- 1 Remove the rear exhaust duct retaining screw. Pull out the exhaust duct.

### OPTION 1: Side Venting

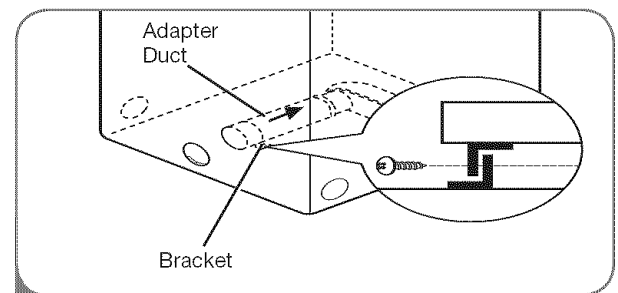


- 2 Press the tabs on the knockout and carefully remove the knockout for the desired vent opening (right-side venting is not available on gas models). Press the adapter duct onto the blower housing and secure to the base of the dryer as shown.

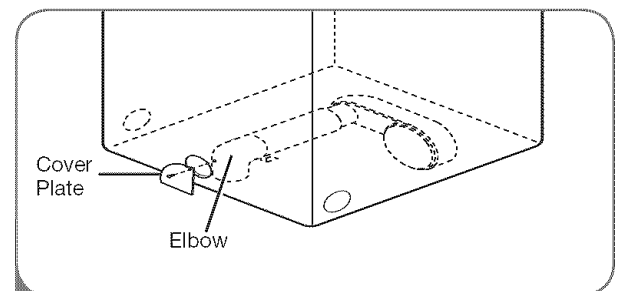


- 3 Preassemble a 4-in. (10 cm) elbow to the next 4-in. (10 cm) duct section, and secure all joints with duct tape. Be sure that the male end of the elbow faces AWAY from the dryer. Insert the elbow/duct assembly through the side opening and press it onto the adapter duct. Secure in place with duct tape. Be sure that the male end of the duct protrudes 1 1/2 in. (3.8 cm) to connect the remaining ductwork. Attach cover plate to the back of the dryer with included screw.

### OPTION 2: Bottom Venting



- 2 Press the adapter duct onto the blower housing and secure to the base of the dryer as shown.



- 3 Insert the 4-in. (10 cm) elbow through the rear opening and press it onto the adapter duct. Be sure that the male end of the elbow faces down through hole in the bottom of the dryer. Secure in place with duct tape. Attach the cover plate to the back of the dryer with included screw.



# INSTALLATION INSTRUCTIONS

## VENTING THE DRYER

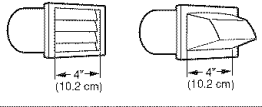
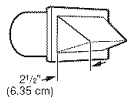
**⚠ WARNING:** To reduce the risk of fire, electric shock, or injury to persons when using this appliance, follow basic precautions, including the following:

- **Do not crush or collapse ductwork.** Failure to follow these instructions can result in fire or death.
- **Do not allow ductwork to rest on or contact sharp objects.** Failure to follow these instructions can result in fire or death.
- **If connecting to existing ductwork, make sure it is suitable and clean before installing the dryer.** Failure to follow these instructions can result in fire or death.
- **Venting must conform to local building codes.** Failure to follow these instructions can result in fire or death.
- **Gas dryers MUST exhaust to the outdoors.** Failure to follow these instructions can result in fire or death.
- **Use only 4-in. (10 cm) rigid or flexible metal ductwork inside the dryer cabinet and for venting outside.** Failure to follow these instructions can result in fire or death.
- **To reduce the risk of fire, combustion, or accumulation of combustible gases, DO NOT exhaust dryer air into an enclosed and unventilated area, such as an attic, wall, ceiling, crawl space, chimney, gas vent, or concealed space of a building.** Failure to follow these instructions can result in fire or death.
- **To reduce the risk of fire, DO NOT exhaust the dryer with plastic or thin foil ducting.** Failure to follow these instructions can result in fire or death.
- **The exhaust duct must be 4 in. (10 cm) in diameter with no obstructions. The exhaust duct should be kept as short as possible. Make sure to clean any old ducts before installing your new dryer.** Failure to follow these instructions can result in fire or death.
- **Rigid or semirigid metal ducting is recommended for use between the dryer and the wall. In special installations when it is impossible to make a connection with the above recommendations, a UL-listed flexible metal transition duct may be used between the dryer and wall connection only. The use of this ducting will affect drying time.** Failure to follow these instructions can result in fire or death.
- **DO NOT use sheet metal screws or other fasteners which extend into the duct that could catch lint and reduce the efficiency of the exhaust system. Secure all joints with duct tape.** Failure to follow these instructions can result in fire or death.
- **To maximize operating results, please observe the duct length limitations noted in the chart above.** Failure to follow these instructions can result in fire or death.
- **Ductwork is not provided with the dryer. You should obtain the necessary ductwork locally. The end cap should have hinged dampers to prevent backdraft when the dryer is not in use.** Failure to follow these instructions can result in fire or death.

# INSTALLATION INSTRUCTIONS

## VENTING THE DRYER (cont.)

### Ductwork

Wall Cap Type	Number of 90° Elbows	Max. Length of 4-In. Dia. Rigid Metal Duct	Max. Length of 4-In. Dia. Flexible Metal Duct
<p>Recommended</p> 	0	65 ft. (19.8 m)	45 ft. (13.7 m)
	1	55 ft. (16.8 m)	35 ft. (10.7 m)
	2	47 ft. (13.7 m)	30 ft. (9.1 m)
	3	36 ft. (11.0 m)	25 ft. (7.6 m)
	4	28 ft. (8.5 m)	20 ft. (6.1 m)
<p>Use Only for Short Run Installations</p> 	0	55 ft. (16.8 m)	35 ft. (10.7 m)
	1	47 ft. (13.7 m)	27 ft. (8.1 m)
	2	41 ft. (12.5 m)	21 ft. (6.4 m)
	3	30 ft. (9.1 m)	17 ft. (5.2 m)
	4	22 ft. (6.7 m)	15 ft. (4.5 m)

**NOTE:** Deduct 6 ft. (1.8 m) for each additional elbow. It is not recommended to use more than four 90° elbows.

### Routing and Connecting Ductwork

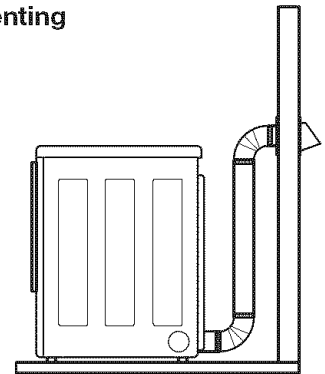
Follow the guidelines below to maximize drying performance and reduce lint buildup and condensation in the ductwork.

**NOTE:** Ductwork and fittings are NOT included and must be purchased separately.

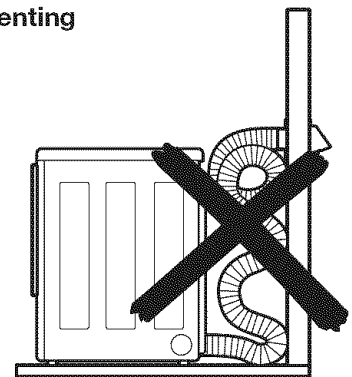
- Use 4-in. (10 cm) diameter rigid or semirigid metal ductwork.
- The exhaust duct run should be as short as possible.
- Use as few elbow joints as possible.
- The male end of each section of exhaust duct **must** point away from the dryer.
- Use duct tape on all duct joints.
- Insulate ductwork that runs through unheated areas in order to reduce condensation and lint buildup on duct surfaces.

**IMPORTANT:** Failure to exhaust the dryer correctly will void the dryer's warranty.

#### Correct Venting



#### Incorrect Venting



# INSTALLATION INSTRUCTIONS

## CONNECTING GAS DRYERS

**⚠ WARNING:** To reduce the risk of fire, electric shock, or injury to persons when using this appliance, follow basic precautions, including the following:

- **Gas supply requirements:**  
As shipped from the factory, this dryer is configured for use with natural gas. It can be converted for use with LP (Liquefied Propane) gas. Gas pressure must not exceed 13 in. water column.
- **A qualified service or gas company technician must connect the dryer to the gas service.** Failure to do so can result in fire, explosion, or death.
- **Isolate the dryer from the gas supply system by closing its individual manual shutoff valve during any pressure testing of the gas supply.** Failure to do so can result in fire, explosion, or death.
- **Supply line requirements:**  
Your laundry room must have a rigid gas supply line to your dryer. In the United States, an individual manual shutoff valve **MUST** be installed within at least 6 ft. (1.8 m) of the dryer, in accordance with the National Fuel Gas Code ANSI Z223.1. A 1/8-in. NPT pipe plug must be installed. Failure to do so can result in fire, explosion, or death.
- **If using a rigid pipe, the rigid pipe should be 1/2-in. IPS. If acceptable under local codes and ordinances and when acceptable to your gas supplier, 3/8-in. approved tubing may be used where lengths are less than 20 ft. (6.1 m). Larger tubing should be used for lengths in excess of 20 ft. (6.1 m).** Failure to do so can result in fire, explosion, or death.
- **Connect the dryer to the type of gas shown on the nameplate.** Failure to do so can result in fire, explosion, or death.
- **To prevent contamination of the gas valve, purge the gas supply of air and sediment before connecting the gas supply to the dryer. Before tightening the connection between the gas supply and the dryer, purge remaining air until the odor of gas is detected.** Failure to do so can result in fire, explosion, or death.
- **DO NOT use an open flame to inspect for gas leaks. Use a noncorrosive leak-detection fluid.** Failure to do so can result in fire, explosion, or death.
- **Use only a new AGA- or CSA-certified gas supply line with flexible stainless steel connectors.** Failure to do so can result in fire, explosion, or death.
- **Securely tighten all gas connections.** Failure to do so can result in fire, explosion, or death.
- **Use Teflon<sup>®</sup> tape or a pipe-joint compound that is insoluble in Liquefied Petroleum (LP) gas on all pipe threads.** Failure to do so can result in fire, explosion, or death.
- **DO NOT attempt any disassembly of the dryer; any disassembly requires the attention and tools of an authorized and qualified service person or company.** Failure to do so can result in fire, explosion, or death.

### *Electrical Requirements for Gas Models Only*

- **Do not, under any circumstances, cut or remove the third (ground) prong from the power cord.** Failure to follow this warning can result in fire, explosion, or death.
- **For personal safety, this dryer must be properly grounded.** Failure to follow this warning can result in fire, explosion, or death.
- **The power cord of this dryer is equipped with a 3-prong (grounding) plug which mates with a standard 3-prong (grounding) wall outlet to minimize the possibility of electric shock hazard from this appliance.** Failure to follow this warning can result in fire, explosion, or death.
- **This dryer must be plugged into a 120-VAC, 60-Hz. grounded outlet protected by a 15-ampere fuse or circuit breaker.** Failure to follow this warning can result in fire, explosion, or death.
- **Where a standard 2-prong wall outlet is encountered, it is your personal responsibility and obligation to have it replaced with a properly grounded 3-prong wall outlet.** Failure to follow this warning can result in fire, explosion, or death.

# INSTALLATION INSTRUCTIONS

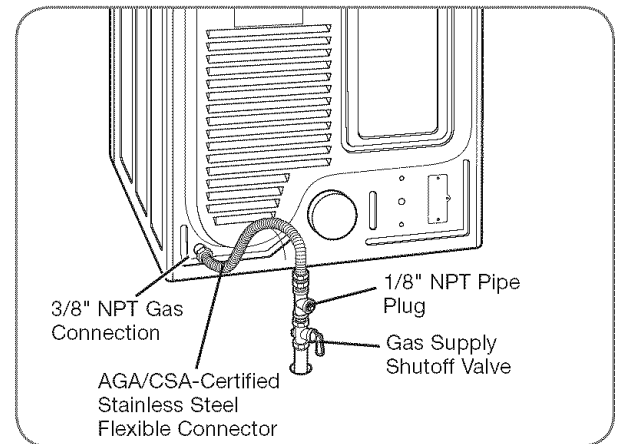
## CONNECTING GAS DRYERS (cont.)

**⚠ WARNING:** To reduce the risk of fire, electric shock, or injury to persons when using this appliance, follow basic precautions, including the following:

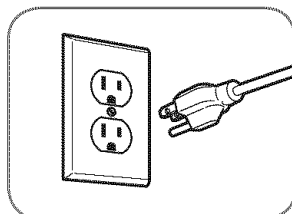
- **Installation and service must be performed by a qualified installer, service agency, or the gas supplier.** Failure to do so can result in fire, explosion, or death.
- **Use only a new stainless steel flexible connector and a new AGA-certified connector.** Failure to do so can result in fire, explosion, or death.
- **A gas shutoff valve must be installed within 6 ft. (1.8 m) of the dryer.** Failure to do so can result in fire, explosion, or death.
- **The dryer is configured for Natural Gas when shipped from the factory. Make sure that the dryer is equipped with the correct burner nozzle for the type of gas being used (Natural Gas or Liquefied Petroleum).** Failure to do so can result in fire, explosion, or death.
- **If necessary, the correct nozzle (for the LP nozzle kit order part number 4948EL4002B) should be installed by a qualified technician and the change should be noted on the dryer.** Failure to do so can result in fire, explosion, or death.
- **All connections must be in accordance with local codes and regulations.** Failure to do so can result in fire, explosion, or death.
- **Gas dryers MUST exhaust to the outdoors.** Failure to do so can result in fire, explosion, or death.

### Connecting the Gas Supply

- 1 Make sure that the gas supply to the laundry room is turned OFF. Confirm that the type of gas available in your laundry room is appropriate for the dryer. The dryer is prepared for Natural Gas with a 3/8-in. NPT gas connection.
- 2 Remove the shipping cap from the gas connection at the back of the dryer. Be careful not to damage the threads of the gas connector when removing the shipping cap.
- 3 Connect the dryer to your laundry room's gas supply using a new flexible stainless steel connector with a 3/8-in. NPT fitting.
- 4 Securely tighten all connections between the dryer and your laundry room's gas supply. Turn on your laundry room's gas supply and check all pipe connections (both internal and external) for gas leaks with a noncorrosive leak-detection fluid.



### Electrical Connection



Plug dryer into a 120-VAC, 60-Hz. grounded 3-prong outlet.

### High-Altitude Installations

The BTU rating of this dryer is AGA-certified for elevations below 10,000 feet.

If your gas dryer is being installed at an elevation above 10,000 feet, it must be derated by a qualified technician or gas supplier.

# INSTALLATION INSTRUCTIONS

## CONNECTING ELECTRIC DRYERS

**⚠WARNING:** To help prevent fire, electric shock, serious injury or death, the wiring and grounding must conform to the latest edition of the National Electrical Code, ANSI/NFPA 70 and all applicable local regulations. Please contact a qualified electrician to check your home's wiring and fuses to ensure that your home has adequate electrical power to operate the dryer.

### *Electrical Requirements for Electric Models Only*

**⚠WARNING:** To reduce the risk of fire, electric shock, or injury to persons when using this appliance, follow basic precautions, including the following:

- This dryer must be connected to a grounded metal, permanent wiring system, or an equipment-grounding conductor must be run with the circuit conductors and connected to the equipment-grounding terminal or lead on the dryer. Failure to do so can result in fire, explosion, or death.
- The dryer has its own terminal block that must be connected to a separate 240 VAC, 60-Hertz, single-phase circuit, fused at 30 amperes (the circuit must be fused on both sides of the line). **ELECTRICAL SERVICE FOR THE DRYER SHOULD BE OF THE MAXIMUM RATE VOLTAGE LISTED ON THE NAMEPLATE. DO NOT CONNECT DRYER TO 110-, 115-, OR 120-VOLT CIRCUIT.** Heating elements are available for field installation in dryers which are to be connected to an electrical service of a different voltage than that listed on the rating plate. Failure to follow these instructions can result in fire, explosion, or death.
- If branch circuit to dryer is 15 ft. (4.5 m) or less in length, use UL (Underwriters Laboratories) listed No.-10 AWG wire (copper wire only), or as required by local codes. If over 15 ft. (4.50 m), use UL-listed No.-8 AWG wire (copper wire only), or as required by local codes. Allow sufficient slack in wiring so dryer can be moved from its normal location when necessary. Failure to do so can result in fire, explosion, or death.
- The power cord (pigtail) connection between wall receptacle and dryer terminal block IS NOT supplied with dryer. Type of pigtail and gauge of wire must conform to local codes and with instructions on the following pages. Failure to follow these instructions can result in fire, explosion, or death.
- A 4-wire connection is required for all mobile and manufactured home installations, as well as all new construction after January 1, 1996. A 4-wire connection must be used where local codes do not permit grounding through the neutral wire. Failure to do so can result in fire, explosion, or death.

### *Special Electrical Requirements for Mobile or Manufactured Homes*

**⚠WARNING:** To reduce the risk of fire, electric shock, or injury to persons when using this appliance, follow basic precautions, including the following:

- Any installation in a manufactured or mobile home must comply with the Manufactured Home Construction and Safety Standards Title 24 CFR, Part 32-80 or Standard CAN/CSA02240 MH and local codes and ordinances.
- A 4-wire connection is required for all mobile and manufactured home installations, as well as all new construction after January 1, 1996. Failure to do so can result in fire, explosion, or death.

# INSTALLATION INSTRUCTIONS

## SPECIAL REQUIREMENTS FOR MANUFACTURED OR MOBILE HOMES

Any installation in a manufactured or mobile home must comply with the Manufactured Home Construction and Safety Standards Title 24 CFR, Part 32-80 or Standard CAN/CSA0Z240 MH and local codes and ordinances. If you are uncertain whether your proposed installation will comply with these standards, please contact a service and installation professional for assistance.

- A gas dryer must be permanently attached to the floor.
- The electrical connection for an electric dryer must be a 4-wire connection. More detailed information concerning the electrical connection is provided in the section *Connecting Electric Dryers*.
- To reduce the risk of combustion and fire, the dryer must be vented to the outside.
- DO NOT vent the dryer under a manufactured home or mobile home.
- Electric dryers may be vented to the outside using the back, left, right, or bottom panel.
- Gas dryers may be vented to the outside using the back, left, or bottom panel. Gas dryers may not be vented to the outside using the right side panel because of the burner housing.
- The dryer exhaust duct must be affixed securely to the manufactured or mobile home structure, and the exhaust duct must be made of a material that will resist fire and combustion. It is recommended that you use a rigid or flexible metal duct.
- DO NOT connect the dryer exhaust duct to any other duct, vent, chimney, or other exhaust duct.
- Make sure the dryer has adequate access to outside fresh air to ensure proper operation. The opening for outside fresh air must be at least 25 in<sup>2</sup> (163 cm<sup>2</sup>).
- It is important that the clearance of the duct from any combustible construction be at least 2 in. (5 cm), and when venting the dryer to the outdoors, the dryer can be installed with a clearance of 1 in. (2.5 cm) at the sides and back of the dryer.
- Please be aware that venting materials are not supplied with the dryer. You should obtain the venting materials necessary for proper installation.

## FINAL INSTALLATION CHECK

Once you have completed the installation of the dryer and it is in its final location, confirm proper operation with the following tests.

### *Testing Dryer Heating*

#### **GAS MODELS**

Close the dryer door, press the ON/OFF switch to turn the dryer on, and start the dryer on a heat setting. When the dryer starts, the igniter should ignite the main burner.

**NOTE:** If all air is not purged from the gas line, the gas igniter may turn off before the main burner ignites. If this happens, the igniter will reattempt gas ignition after approximately two minutes.

#### **ELECTRIC MODELS**

Close the dryer door, press the ON/OFF switch to turn the dryer on, and start the dryer on a heat setting. The exhaust air should be warm after the dryer has been operating for 3 minutes.

### *Checking Airflow*

Effective dryer operation requires proper airflow. The adequacy of the airflow can be measured by evaluating the static pressure. Static pressure in the exhaust duct can be measured with a manometer, placed on the exhaust duct approximately 2 ft. (60.9 cm) from the dryer. Static pressure in the exhaust duct should not exceed 0.6 in. (1.5 cm). The dryer should be checked while the dryer is running with no load.

### *Checking Levelness*

Once the dryer is in its final location, recheck the dryer to be sure it is level. Make sure it is level front to back and side to side, and that all 4 leveling feet are firmly on the floor.

# INSTALLATION INSTRUCTIONS

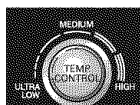
## DUCT CONDITION TESTING

Your dryer features FlowSense™, an innovative sensor system that automatically detects blockages and restrictions in dryer ductwork. Keeping ductwork clean of lint build-up and free of restrictions allows clothes to dry faster, reduces energy use, and helps prevent fires.

When the dryer is first installed, the duct condition test **must** be performed. This alerts you to any existing problems before the dryer is used. The dryer also saves this information to compare and measure future changes.

### To activate the duct condition test cycle:

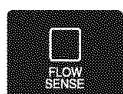
- 1 Press and hold the DAMP DRY BEEP and TEMP CONTROL buttons at the same time. While holding these buttons, press POWER ON/OFF.




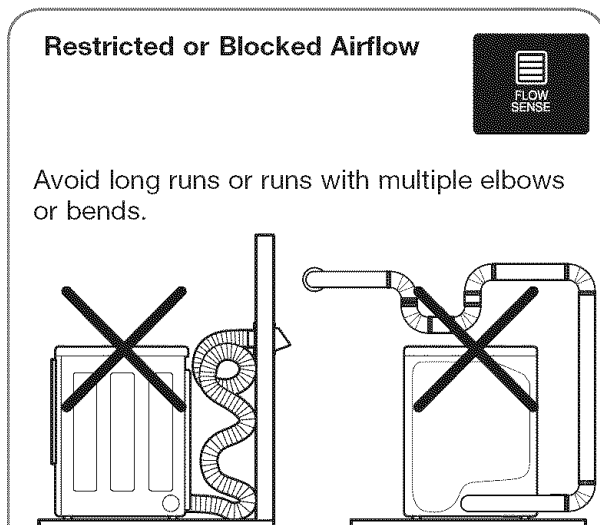
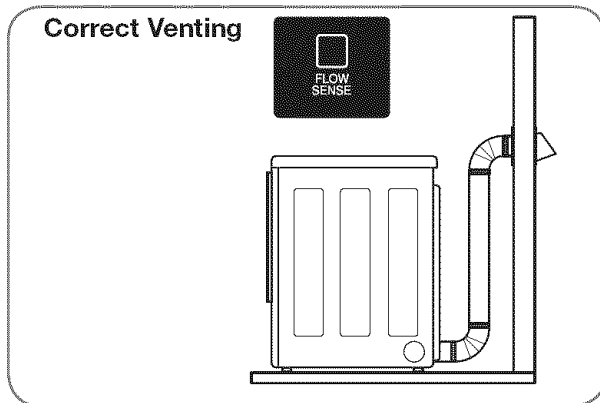
- 2 The dryer will show InS in the number display to indicate that it is in duct condition testing mode.

- 3 Press START/PAUSE. The dryer will run for approximately 2 minutes to test for blockages or restrictions to air flow in the ductwork.

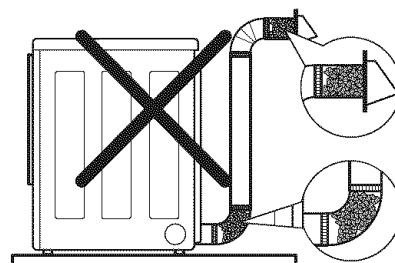


 If no bars are shown in the display, the ductwork is free from blockages or restrictions.

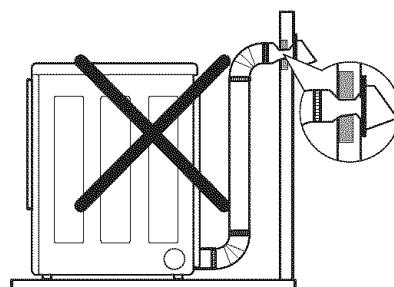
 If all bars are lit, the dryer ductwork has a blockage that needs to be removed immediately.



Check for blockages and lint buildup.



Make sure the ductwork is not crushed or restricted.



# HOW TO USE

## SORTING LOADS

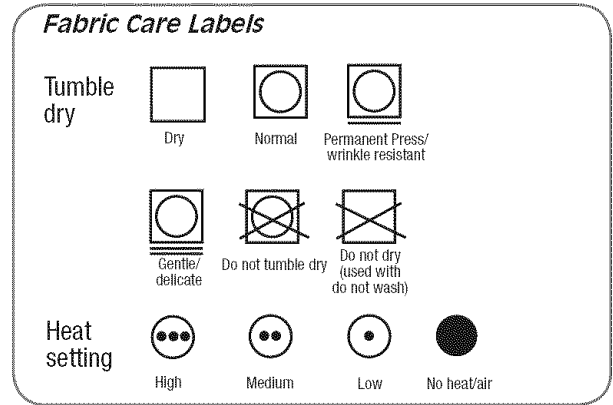
### *Fabric Care Labels*

Most articles of clothing feature fabric care labels that include instructions for proper care.

### *Grouping Similar Items*

For best results, sort clothes into loads that can be dried with the same drying cycle.

Different fabrics have different care requirements, and some fabrics will dry more quickly than others.



## LOADING THE DRYER

**⚠ WARNING:** To reduce the risk of fire, electric shock, or injury to persons when using this appliance, follow basic precautions, including the following:

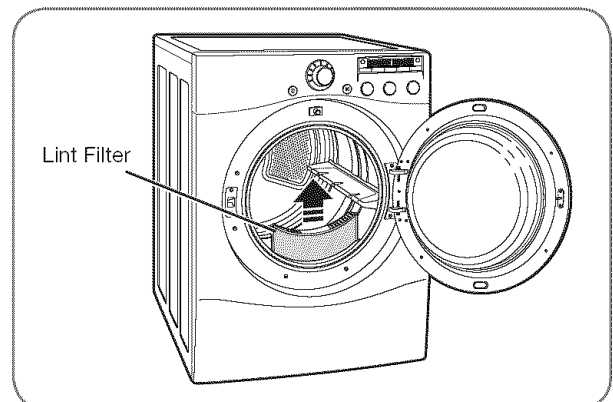
- **Check all pockets to make sure that they are empty. Items such as clips, pens, coins, and keys can damage both your dryer and your clothes. Flammable objects such as lighters or matches could ignite, causing a fire.** Failure to do so can result in fire, explosion, or death.
- **Never dry clothes that have been exposed to oil, gasoline, or other flammable substances. washing clothes will not completely remove oil residues.** Failure to obey this warning can result in fire, explosion, or death.
- Combine large and small items in a load.
- Damp clothes will expand as they dry. Do not overload the dryer; clothes require room to tumble to dry properly.
- Close zippers, hooks, and drawstrings to prevent these items from snagging or tangling on other clothes.

## CHECK THE LINT FILTER BEFORE EVERY LOAD

The CHECK FILTER indicator will light before each load to remind you to make sure the lint filter is clean before starting a new load. It will also come on during a load if the lint filter is clogged to let you know that the lint filter needs to be cleaned; a clogged lint filter will increase drying times.

To clean, pull the lint filter straight up and roll any lint off the filter with your fingers. Do not rinse or wash the filter to remove lint. Push the lint filter firmly back into place. See “Care and Cleaning” for more information.

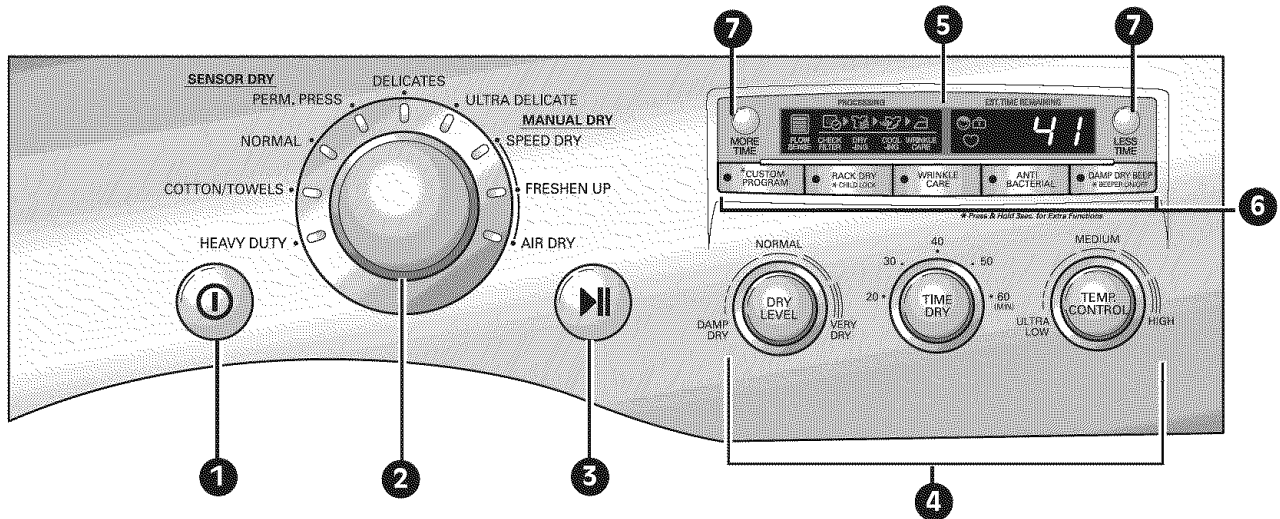
Always ensure the lint filter is properly installed before running the dryer. Running the dryer with a loose or missing lint filter may damage the dryer and articles in the dryer.



# HOW TO USE

## CONTROL PANEL FEATURES

Following are instructions for starting and using your new dryer. Please refer to specific sections of this manual for more detailed information. **Important Warning: To reduce the risk of fire, electric shock, or injury to persons, read this entire manual, including the Important Safety Instructions, before operating this dryer.**



### 1 POWER ON/OFF BUTTON

Press to turn the dryer ON. Press again to turn the dryer OFF.

**NOTE:** Pressing the ON/OFF button during a cycle will cancel that cycle and any load settings will be lost.

### 2 CYCLE SELECTOR KNOB

Turn this knob to select the desired cycle. Once the desired cycle has been selected, the standard presets will be shown in the display. On MANUAL DRY cycles, these settings can be adjusted using the cycle settings buttons anytime before starting the cycle.

### 3 START/PAUSE BUTTON

Press this button to START the selected cycle. If the dryer is running, use this button to PAUSE the cycle without losing the current settings.

**NOTE:** If you do not press the START/PAUSE button to resume a cycle within 8 minutes, the dryer automatically turns off.

### 4 CYCLE SETTING BUTTONS

Use these buttons to adjust the desired cycle settings for the selected cycle.

### 5 TIME AND STATUS DISPLAY

The display shows the settings, estimated time remaining, options, and status messages for your dryer.

### 6 OPTION BUTTONS

The option buttons allow you to select additional cycle options. Certain buttons also allow you to activate special functions by pressing and holding the button for 3 seconds.

For detailed information about the individual options, please see the following pages.

### 7 MORE TIME/LESS TIME BUTTONS

Use these buttons with MANUAL DRY and TIME DRY cycles to adjust the drying time. Press the MORE TIME button to increase the selected manual cycle time by a minute; press LESS TIME to decrease the cycle time by a minute.

# HOW TO USE

## CYCLE GUIDE

The cycle guide below shows the options and recommended fabric types for each cycle.

Type	Cycle	Fabric Type	Dry Level	Temperature	Time in Min.	More Time/ Less Time	Rack Dry	Wrinkle Care	Anti- Bacterial	Damp Dry
SENSOR DRY	Heavy Duty	Jeans, heavyweight items	Normal	High	54			<input type="radio"/>	<input type="radio"/>	<input type="radio"/>
			Adjustable							
	Cotton/ Towels	Denims, towels, heavy cottons	Normal	Med. High	55			<input type="radio"/>	<input type="radio"/>	<input type="radio"/>
			Adjustable							
	Normal	Work clothes, corduroys, etc.	Normal	Medium	41			<input type="radio"/>	<input type="radio"/>	<input type="radio"/>
			Adjustable							
Perm. Press	Permanent press, synthetic items	Normal	High	36			<input type="radio"/>	<input type="radio"/>	<input type="radio"/>	
		Adjustable								
Delicates	Lingerie, sheets, blouses	Normal	Low	32			<input type="radio"/>	<input type="radio"/>	<input type="radio"/>	
		Adjustable								
Ultra Delicate	Workout wear, sheer or lacy garments	Normal	Ultra Low	34			<input type="radio"/>	<input type="radio"/>	<input type="radio"/>	
		Adjustable								
MANUAL DRY	Speed Dry	For small loads with short drying times	Off	High	25	<input type="radio"/>	<input type="radio"/>	<input type="radio"/>		
				Adjustable	Adjustable					
	Freshen Up	For removing light wrinkles from clothing	Off	High	20	<input type="radio"/>	<input type="radio"/>	<input type="radio"/>		
				Adjustable	Adjustable					
	Air Dry	For items that require heat-free drying such as plastics or rubber	Off	No Heat	30	<input type="radio"/>	<input type="radio"/>	<input type="radio"/>		
					Adjustable					
	Time Dry	For general drying; time, temperature, and options can be set manually	Off	High	40	<input type="radio"/>	<input type="radio"/>	<input type="radio"/>		
				Adjustable	Adjustable					

### Sensor Dry Cycles

Sensor Dry cycles utilize LG's unique dual sensor system to detect and compare the moisture level in clothes and in the air and adjust the drying time as needed to ensure superior results. The dryer automatically sets the dryness level and temperature at the recommended setting for each cycle. The estimated time remaining will be shown in the display.

**NOTE:** To protect your garments, not every dry level, temperature, or option is available with every cycle.

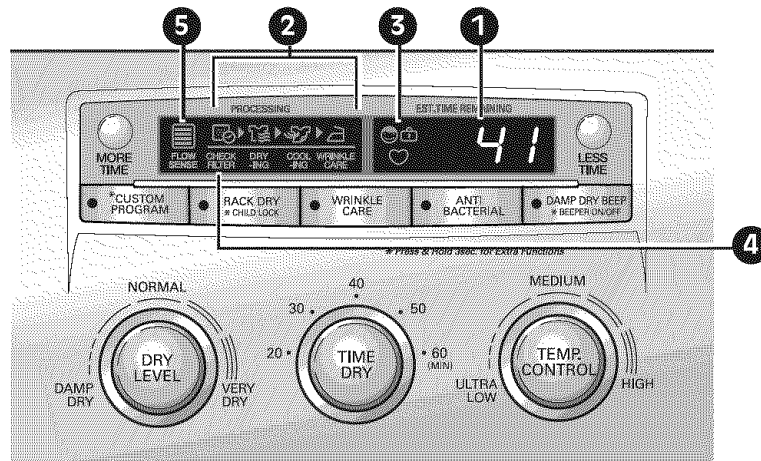
### Manual Dry Cycles

Use Manual Dry cycles to select a specific amount of drying time and a drying temperature. When a Manual Dry cycle is selected, the ESTIMATED TIME REMAINING display shows the actual time remaining in your cycle. You can change the actual time in the cycle by pressing MORE TIME or LESS TIME.

# HOW TO USE

## THE TIME AND STATUS DISPLAY

The display shows the settings, estimated time remaining, options, and status messages for your dryer.



### 1 ESTIMATED TIME REMAINING

When the START/PAUSE button is pressed, the display will indicate the estimated time remaining for the selected drying cycle.

### 2 CYCLE COMPLETION INDICATOR WITH CHECK FILTER REMINDER

This portion of the display shows which stage of the drying cycle is currently underway (CHECK FILTER, DRYING, COOLING, or WRINKLE CARE).

### 3 CHILD LOCK INDICATOR

When CHILD LOCK is set, the Child Lock indicator will appear and all buttons are disabled except the ON/OFF button. This prevents children from changing settings while the dryer is operating.

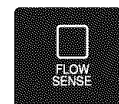
### 4 LINT FILTER INDICATOR

The dryer automatically detects reduced air flow caused by a full lint filter. The CHECK FILTER indicator will light before each load as a reminder to check the lint filter before starting each load. If the lint filter becomes clogged during a load, the indicator will come on to let you know that the filter should be cleaned immediately for maximum efficiency.

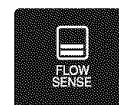
Always clean the lint filter before every cycle.

### 5 FLOW SENSE™ DUCT BLOCKAGE SENSING SYSTEM INDICATOR

The FLOW SENSE™ duct blockage sensing system detects and alerts you to blockages in the ductwork that reduce exhaust flow from the dryer. This not only helps prevent fires and save lives, it can improve operating efficiency and help minimize service calls, saving you money.



If no bars are shown in the display, the ductwork is free from blockages.



The more bars displayed, the greater the blockage.

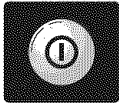


If all bars are lit, the dryer ductwork has a blockage that needs to be removed immediately.

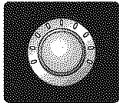
## OPERATING THE DRYER

Once you have loaded the dryer:

- 1 Press the ON/OFF button to turn on the dryer. The lights around the cycle selector knob will illuminate.



- 2 Turn the cycle selector knob to the desired cycle. The display will show the preset Dry Level, Temperature, Time, and Option settings for that cycle.



- 3 If you would like to change the settings for that cycle, such as the dry level or temperature, press the appropriate cycle settings button(s) until the indicator light for the desired setting is lit.

**NOTE:** To protect your garments, not every dry level, temperature, or option is available with every cycle.

- 4 Select any additional cycle options, such as WRINKLE CARE, ANTI BACTERIAL, or DAMP DRY BEEP, by pressing the button for that option. The indicator light on the button will light to show that option has been selected. To deselect an option, press the button again.



**NOTE:** To protect your garments, not every dry level, temperature, or option is available with every cycle.

- 5 Press the START/PAUSE button to begin the cycle. The display will change, and the dryer will display the estimated (SENSOR DRY) or set time (MANUAL DRY) remaining and start tumbling. To pause the cycle at any time, for example to clean the lint filter or to remove a garment, open the dryer door or press PAUSE. To resume the cycle where it was stopped, press START/PAUSE again.



**NOTE:** If the dryer has been stopped for more than 8 minutes, the dryer will turn off automatically.

- 6 When the load is finished, the beeper (if set) will sound. If you have set the Wrinkle Care option, the dryer will tumble the load periodically for up to 3 hours.

To prevent wrinkling, remove items from the dryer immediately after the end of the cycle.

- 7 Always clean the lint filter after every cycle.

To clean, pull the lint filter straight up and roll any lint off the filter with your fingers. Do not rinse or wash the filter to remove lint. Push the lint filter firmly back into place.

# HOW TO USE

## CYCLE SETTING BUTTONS

Sensor Dry cycles have preset settings that are selected automatically and cannot be changed. Manual Dry cycles have default settings, but you may also customize the settings using the cycle setting buttons. Press the button for that setting until the indicator light for the desired value is lit.

### DRY LEVEL

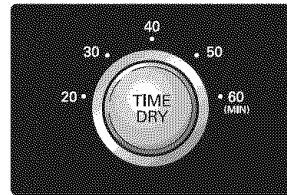


Selects the level of dryness for the cycle. Press the DRY LEVEL button until the indicator light for the desired setting is lit.

- This option is only available with SENSOR DRY cycles.
- The dryer will automatically adjust the cycle time. Selecting VERY DRY or MORE DRY will increase the cycle time, while LESS DRY or DAMP DRY will decrease the cycle time.
- Use a LESS DRY or DAMP DRY setting for items that you wish to iron.

**NOTE:** To protect your garments, not every dryness level, temperature, or option is available with every cycle. See the Cycle Guide for details.

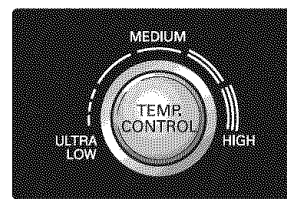
### TIME DRY



Allows you to manually select the drying time, from 20 to 60 minutes, in 10-minute increments. Use this for small loads or to remove wrinkles. Press the TIME DRY

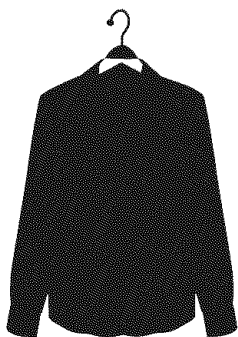
button until the indicator light for the desired drying time is lit. Use the MORE TIME/ LESS TIME buttons to add or reduce the drying time in 1-minute increments.

### TEMP. CONTROL



Adjusts the temperature setting from ULTRA LOW to HIGH. This allows precise care of your fabrics and garments. Press the TEMP CONTROL button until

the indicator light for the desired setting is lit.




## CYCLE OPTION BUTTONS

Your dryer features several additional cycle options to customize cycles to meet your individual needs. Certain option buttons also feature a special function (see the following page for details) that can be activated by pressing and holding that option button for 3 seconds.


### To Add Cycle Options to a Cycle:

- 1 Turn on the dryer and turn the cycle selector knob to select the desired cycle.
- 2 Use the cycle settings buttons to adjust the settings for that cycle.
- 3 Press the cycle option button(s) for the option you would like to add. A confirmation message will be shown in the display.
- 4 Press the START/PAUSE button to start the cycle. The dryer will start automatically.

### WRINKLE CARE


 Selecting this option will tumble the load periodically for up to 3 hours after the selected cycle, or until the door is opened. This is helpful in preventing wrinkles when you are unable to immediately remove items from the dryer.

### ANTI BACTERIAL


 This option will add a high heat setting to reduce bacteria. It can only be used with the HEAVY DUTY, COTTON/TOWELS, and NORMAL cycles.

**NOTE:** Do not use this cycle with delicate fabrics.

### DAMP DRY BEEP

 With this option, the dryer will beep when the load is approximately 80% dry. This allows you to remove faster-drying lightweight items or items that you would like to iron or hang while still slightly damp.

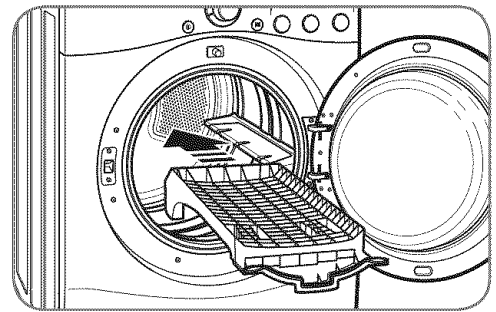
### RACK DRY

 Use RACK DRY with items, such as wool sweaters, silk, and lingerie, that should dry flat. RACK DRY can also be used with items that should not be tumbled dry, such as gym shoes or stuffed animals.

**NOTE:** NEVER use the rack with a tumble dry cycle.

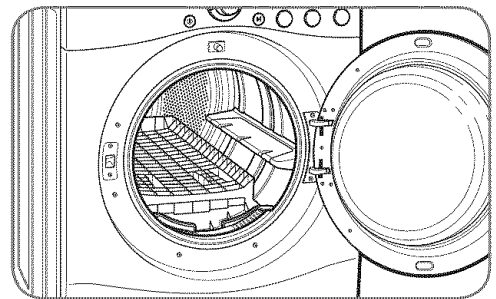
### To Install the Drying Rack

- 1 With the dryer door open, slide the rack into the dryer drum.



- 2 Make sure it is seated evenly on the edge of the inner door rim and resting flat on the inside of the dryer.

**NOTE:** Be sure to remove the drying rack after using the RACK DRY cycle.



# HOW TO USE

## SPECIAL FUNCTIONS

The option buttons also activate special functions, including CHILD LOCK and BEEPER ON/OFF. Press and hold the option button marked with the special function for 3 seconds to activate.

### \* CHILD LOCK



Use this option to prevent unwanted use of the dryer or to keep cycle settings from being changed while the dryer is operating. Press and hold the RACK DRY button for 3 seconds to activate or deactivate CHILD LOCK.

The lock icon will be shown in the display, and all controls are disabled except the ON/OFF button. The dryer can be locked during a cycle.

### \* BEEPER ON/OFF



To turn the beeper off, press and hold DAMP DRY BEEP for 3 seconds. Press and hold again for 3 seconds to turn the beeper back on.

## \* CUSTOM PROGRAM



If you have a special combination of settings that you use frequently, you can save these settings as a CUSTOM PROGRAM.

### \* To Save a Custom Program:

- 1 Turn on the dryer and turn the cycle selector knob to select the desired cycle.
- 2 Use the cycle setting knobs to adjust the settings for that cycle.
- 3 Press the cycle option button(s) for the option(s) you would like to add.
- 4 Press and hold the CUSTOM PROGRAM button for 3 seconds.

**NOTE:** You may only save one custom program at a time. Pressing and holding the CUSTOM PROGRAM button will overwrite any previously saved custom program.

### To Recall a Custom Program:

- 1 Turn on the dryer.
- 2 Press the CUSTOM PROGRAM button.
- 3 Press the START/PAUSE button to start the cycle.

# CARE AND CLEANING

## REGULAR CLEANING

**⚠ WARNING:** To reduce the risk of fire, electric shock, or injury to persons when using this appliance, follow basic precautions, including the following:

- **Unplug the dryer before cleaning to avoid the risk of electric shock.** Failure to follow this warning can cause serious injury, fire, electrical shock or death.
- **Never use harsh chemicals, abrasive cleaners, or solvents to clean the washer.** They will damage the finish.

### *Cleaning the Exterior*

Proper care of your dryer can extend its life. The outside of the machine can be cleaned with warm water and a mild, nonabrasive household detergent.

Immediately wipe off any spills with a soft, damp cloth.

**IMPORTANT:** Do not use methylated spirits, solvents, or similar products.

Never use steel wool or abrasive cleansers; they can damage the surface.

### *Cleaning the Interior*

Wipe around the door opening and seal with a soft, damp cloth to prevent lint and dust buildup that could damage the door seal.

Clean the window with a soft cloth dampened with warm water and a mild, nonabrasive household detergent; then wipe dry.

The stainless steel drum can be cleaned with a conventional stainless steel cleaner, used according to the manufacturer's specifications. Never use steel wool or abrasive cleansers; they can scratch or damage the surface.

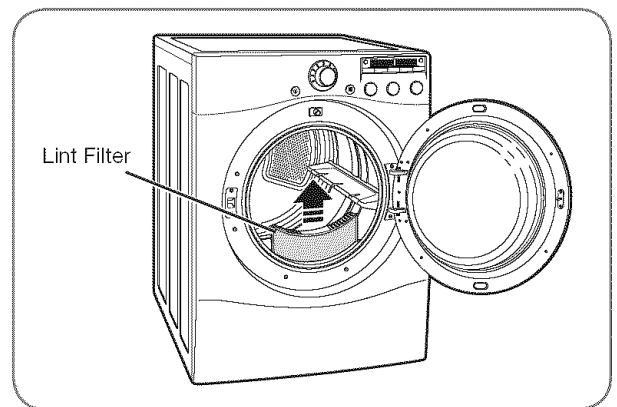
### *Cleaning Around and Under the Dryer*

Vacuum lint and dust from around the dryer and underneath it regularly. Vent ductwork should be checked for lint buildup and cleaned at least once per year. If any noticeable reduction in airflow or drying performance occurs, immediately check ductwork for obstructions and blockages.

### *Maintaining Ductwork*

Vent ductwork should be checked for lint buildup and cleaned at least once per year. If any noticeable reduction in airflow or drying performance occurs, immediately check ductwork for obstructions and blockages. Contact a qualified technician or service provider.

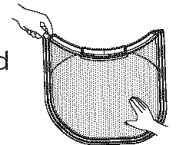
### *Cleaning the Lint Filter*



Always clean the lint filter before every cycle or when the CHECK FILTER indicator lights during a cycle.

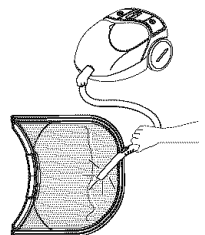


To clean, open the dryer door and pull the lint filter straight up.

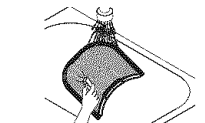


Then:

- 1 Roll any lint off the filter with your fingers, or



- 2 Vacuum the lint filter, or



- 3 Wash the lint filter in warm, soapy water and allow to dry thoroughly before reinstalling.

**NOTE:** NEVER operate the dryer without the lint filter in place.

# TROUBLESHOOTING


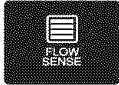
## BEFORE CALLING FOR SERVICE

Your dryer is equipped with an automatic error-monitoring system to detect and diagnose problems at an early stage. If your dryer does not function properly or does not function at all, check the following before you call for service.

Problem	Possible Causes	Solutions
<b>Dryer will not turn on</b>	<ul style="list-style-type: none"> <li>• Power cord is not properly plugged in.</li> <li>• House fuse is blown, circuit breaker has tripped, or power outage has occurred.</li> </ul>	<ul style="list-style-type: none"> <li>• Make sure that the plug is plugged securely into a grounded outlet matching the dryer's rating plate.</li> <li>• Reset circuit breaker or replace fuse. Do not increase fuse capacity. If the problem is a circuit overload, have it corrected by a qualified electrician.</li> </ul>
<b>Dryer does not heat</b>	<ul style="list-style-type: none"> <li>• House fuse is blown, circuit breaker has tripped, or power outage has occurred.</li> <li>• Gas supply or service turned off (gas models only).</li> </ul>	<ul style="list-style-type: none"> <li>• Reset circuit breaker or replace fuse. Do not increase fuse capacity. If the problem is a circuit overload, have it corrected by a qualified electrician.</li> <li>• Confirm that the house gas shutoff and the dryer gas shutoff are both fully open.</li> </ul>
<b>Greasy or dirty spots on clothes</b>	<ul style="list-style-type: none"> <li>• Fabric softener used incorrectly.</li> <li>• Clean and dirty clothes being dried together.</li> <li>• Clean and dirty clothes being dried together.</li> </ul>	<ul style="list-style-type: none"> <li>• Confirm and follow the instructions provided with your fabric softener.</li> <li>• Make sure to use your dryer to dry only clean items, because dirty items can soil clean clothes placed in the same or subsequent loads.</li> <li>• Stains on dried clothes are actually stains that weren't removed during the washing process. Make sure that clothes are being completely cleaned according to the instructions for your washer and detergent.</li> </ul>
<b>Display shows error code tE1 or tE2</b>	<ul style="list-style-type: none"> <li>• Thermistor is malfunctioning.</li> </ul>	<ul style="list-style-type: none"> <li>• Turn off the dryer and call for service.</li> </ul>
<b>Lint on clothes</b>	<ul style="list-style-type: none"> <li>• Lint filter not cleaned properly.</li> <li>• Laundry not sorted properly.</li> <li>• Excess static in clothes.</li> <li>• Dryer is overloaded.</li> <li>• Tissue, paper, etc., left in pockets.</li> </ul>	<ul style="list-style-type: none"> <li>• Make sure the lint filter is cleaned before every load. With some loads that produce high amounts of lint, it may be necessary to clean the filter during the cycle.</li> <li>• Some fabrics are lint producers (i.e., a fuzzy white cotton towel) and should be dried separately from clothes that are lint trappers (i.e., a pair of black linen pants).</li> <li>• See the <i>Excess static in clothes after drying</i> section below.</li> <li>• Divide larger loads into smaller loads for drying.</li> <li>• Check pockets thoroughly before washing and drying clothes.</li> </ul>
<b>Excess static in clothes after drying</b>	<ul style="list-style-type: none"> <li>• Fabric softener not used or used incorrectly.</li> <li>• Clothes dried too long (overdried).</li> <li>• Drying synthetics, permanent press, or synthetic blends.</li> </ul>	<ul style="list-style-type: none"> <li>• Use a fabric softener to reduce static electricity. Be sure to follow the manufacturer's instructions.</li> <li>• Overdrying a load of laundry can cause a buildup of static electricity. Adjust settings and use a shorter drying time, or use SENSOR DRY cycles.</li> <li>• These materials can cause static buildup. Try using a fabric softener.</li> </ul>
<b>Drying time is not consistent</b>	<ul style="list-style-type: none"> <li>• Heat settings, load size, or dampness of clothing is not consistent.</li> </ul>	<ul style="list-style-type: none"> <li>• The drying time for a load will vary depending on the heat setting, the type of heat used (electric, natural, or LP gas), the size of the load, the type of fabrics, the wetness of the clothes, and the condition of the exhaust ducts and lint filter.</li> </ul>

# TROUBLESHOOTING

## BEFORE CALLING FOR SERVICE (cont.)

Problem	Possible Causes	Solutions
<p><b>Clothes take too long to dry</b></p>	<ul style="list-style-type: none"> <li>• Load is not properly sorted.</li> <li>• Large load of heavy fabrics.</li> <li>• Dryer controls are not set properly.</li> <li>• Lint filter needs to be cleaned.</li> <li>• Exhaust ducts blocked, dirty, or duct run is too long.</li> <li>• House fuse is blown, circuit breaker has tripped, or power outage has occurred.</li> <li>• Dryer is overloaded.</li> <li>• Dryer is underloaded.</li> </ul>	<ul style="list-style-type: none"> <li>• Separate heavy items from lightweight items. Larger and heavier items take longer to dry.</li> <li>• Heavy fabrics take longer to dry because they tend to retain more moisture. To help reduce and maintain more consistent drying times for large and heavy fabrics, separate these items into smaller loads of a consistent size.</li> <li>• Use the appropriate control settings for the type of load you are drying.</li> <li>• Make sure the lint filter is cleaned before every load. With some loads that produce high amounts of lint, it may be necessary to clean the filter during the cycle.</li> <li>• Confirm that the exhaust ductwork is properly configured and free of debris, lint, and obstructions. Make sure that outside wall dampers can open properly and are not blocked, jammed, or damaged.</li> <li>• Reset circuit breaker or replace fuse. Do not increase fuse capacity. If the problem is a circuit overload, have it corrected by a qualified electrician.</li> <li>• Divide larger loads into smaller loads for drying.</li> <li>• If you are drying a very small load, add a few extra items to ensure proper tumbling action.</li> </ul>
<p><b>Clothes are wrinkled</b></p>	<ul style="list-style-type: none"> <li>• Clothes dried too long (overdried).</li> <li>• Clothes left in dryer too long after cycle ends.</li> </ul>	<ul style="list-style-type: none"> <li>• Overdrying a load of laundry can lead to wrinkled clothes. Try a shorter drying time, and remove items while they still retain a slight amount of moisture.</li> <li>• Remove items from the dryer immediately at the end of the cycle. Use the WRINKLE CARE option to continue tumbling clothes at the end of the cycle, for up to 3 hours.</li> </ul>
<p><b>Clothes are shrinking</b></p>	<ul style="list-style-type: none"> <li>• Garment care instructions are not being followed.</li> </ul>	<ul style="list-style-type: none"> <li>• To avoid shrinkage, please carefully follow the fabric care instructions for your garment, because some fabrics will naturally shrink when washed. Other fabrics can be washed but will shrink when dried in a dryer. Use a low or no heat setting and/or the RACK DRY option.</li> </ul>
<p><b>CHECK FILTER light is on during the drying cycle</b></p>	<ul style="list-style-type: none"> <li>• Lint filter is almost clogged or full.</li> </ul>	<ul style="list-style-type: none"> <li>• Pause the drying cycle and clean the lint filter.</li> </ul>
<p><b>2 bars are displayed in FLOW SENSE indicator</b></p> 	<ul style="list-style-type: none"> <li>• Ductwork is slightly too long or has too many turns/restrictions.</li> <li>• Partial blockage of the ductwork due to lint buildup.</li> </ul>	<ul style="list-style-type: none"> <li>• Install a shorter or straighter duct run. See the Installation Instructions.</li> <li>• Ductwork should be checked/cleaned soon. Dryer can be used in this condition, but drying times may be longer.</li> </ul>
<p><b>4 bars are displayed in FLOW SENSE indicator</b></p> 	<ul style="list-style-type: none"> <li>• Ductwork is too long or has too many turns/restrictions.</li> <li>• Significant blockage of the ductwork due to lint buildup or debris.</li> </ul>	<ul style="list-style-type: none"> <li>• Install a shorter or straighter duct run. See the Installation Instructions.</li> <li>• Ductwork should be checked/cleaned immediately to remove lint build up and other blockages. Dryer can be used, but performance and efficiency will be greatly reduced.</li> </ul>

# TROUBLESHOOTING

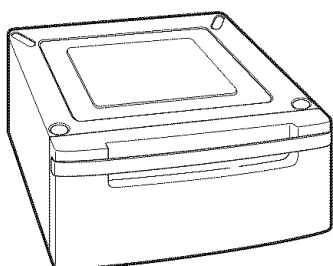
## BEFORE CALLING FOR SERVICE (cont.)

Problem	Possible Causes	Solutions
Ductwork is clean and properly installed as described in the installation instructions, but the FLOW SENSE display shows 4 bars.	<ul style="list-style-type: none"> <li>Dryer is being used for the first time, or after an extended power outage.</li> </ul>	<ul style="list-style-type: none"> <li>This is normal. After the first cycle, the bars in the FLOW SENSE display will disappear.</li> </ul>

# OPTIONAL ACCESSORIES

## OPTIONAL ACCESSORIES

For these and other LG products, contact your local LG dealer, or visit our Web site at [us.lge.com](http://us.lge.com).



### *Pedestal*

Give your LG washer and dryer a boost with matching 14-inch high pedestals. They feature a storage drawer for added convenience.

14" Pedestal	Color
WDP3W	White
WDP3B	Black
WDP3S	Titanium
WDP3N	Navy Blue
WDP3R	Wild Cherry Red
WDP3G	Pearl Gray



### *Stacking Kit*

If space is at a premium, use this kit to securely stack your LG front-load washer and dryer.

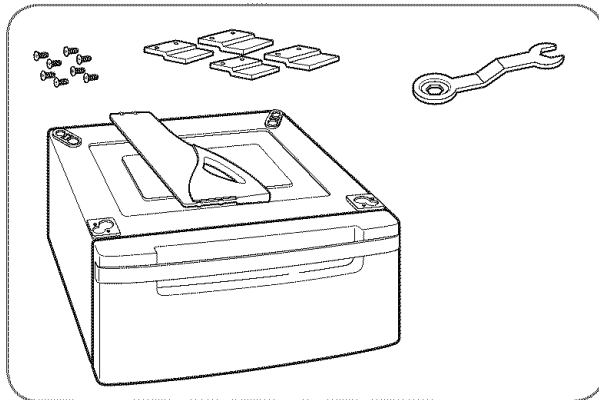
Bracket Kit	Color
WSTK1	White
BSTK1	Black
SSTK1	Titanium
NSTK1	Navy Blue
RSTK1	Wild Cherry Red
GSTK1	Pearl Gray

# OPTIONAL ACCESSORIES

## PEDESTAL INSTALLATION

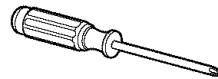
The pedestal accessory includes:

- Pedestal base
- One (1) drawer divider
- Four (4) brackets
- Eight (8) screws
- Wrench



### Tools Needed for Installation:

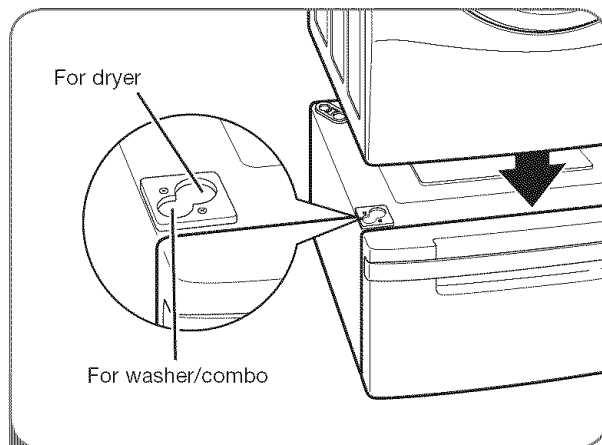
- Phillips-head screwdriver
- Wrench (supplied)



To ensure safe and secure installation, please thoroughly follow the instructions below.

## ⚠ WARNING

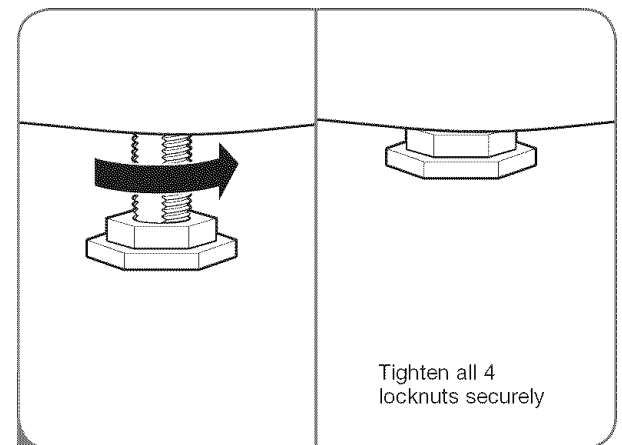
- **Incorrect installation can cause serious accidents.**
- **The appliances are heavy. Two or more people are required when installing the pedestal.** There is a risk of serious back injury or other injuries.
- **Do not allow children to play in or on the drawer.** There is a risk of suffocation or injury.
- **Do not step on the handle.** There is a risk of serious injury.
- **If appliances are already installed, disconnect them from all power, water, or gas lines and from draining or venting connections.** Failure to do so can result in electrical shock, fire, explosion, or death.



- 1 Make sure the leveling feet of the appliance are fully retracted (see detail for leveling washer feet in Step 2); then position the appliance on top of the pedestal.

The washer feet will fit into the outermost corner positions and the dryer feet will fit into the innermost positions as shown.

**NOTE:** The appliance and pedestal assembly must be placed on a solid, sturdy, level floor for proper operation.

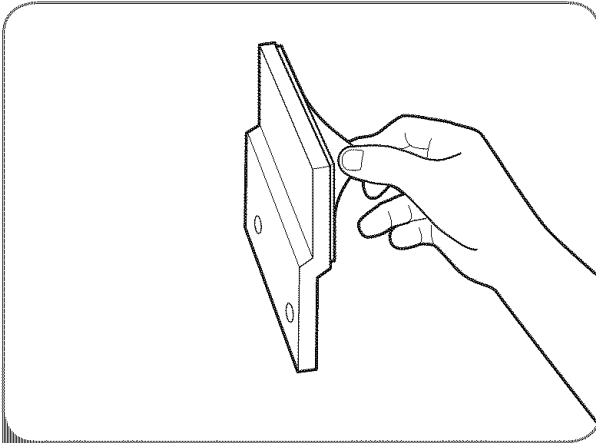


- 2 Once the leveling feet of the **washer** are fully retracted, tighten all locknuts securely.

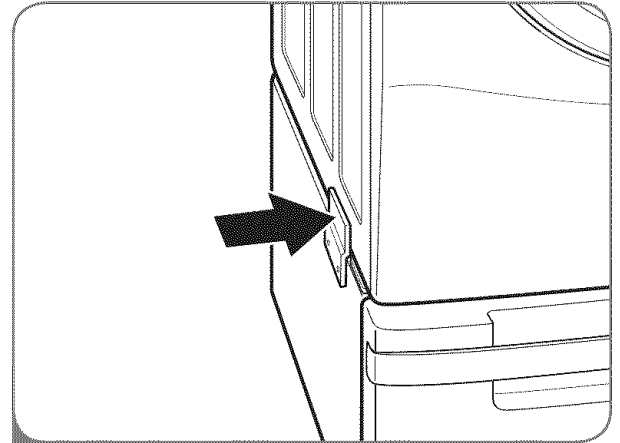
**NOTE:** The leveling feet on the dryer do not have locknuts.

# OPTIONAL ACCESSORIES

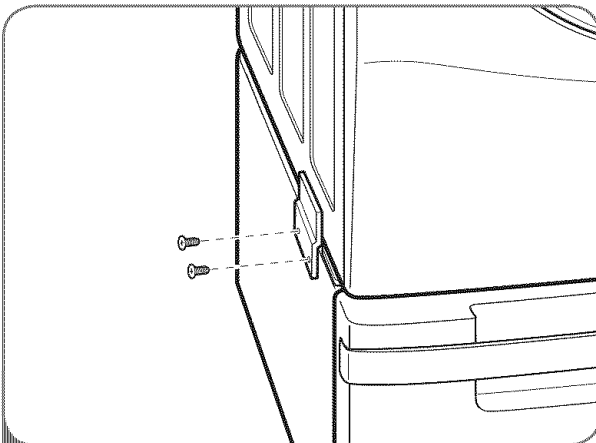
## PEDESTAL INSTALLATION (cont.)



- 3 Make sure the side surface of the appliance is clean and dry. Remove paper backing from the tape on the bracket.



- 4 Position the bracket as shown. The bent part of the bracket should rest along the edge of the pedestal, and the holes in the bottom part of the bracket should align with the holes in the pedestal.

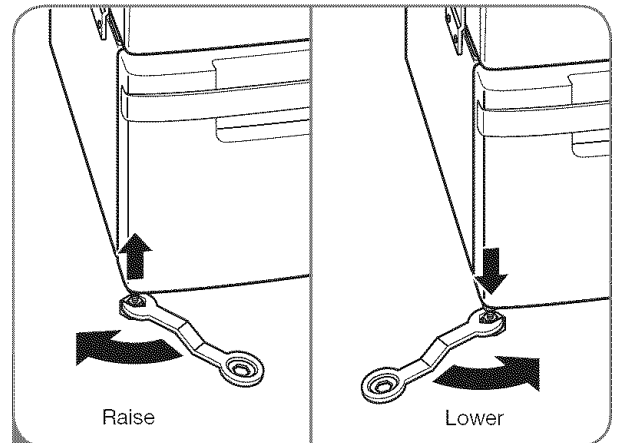


- 5 Install 2 screws to securely attach the bracket to the pedestal.

Once properly attached, firmly press the top part of the bracket with the double-sided tape to the side of the appliance. Repeat steps 2–4 to attach the other brackets.

**NOTE:** If the brackets are not installed properly, noise and vibration may result. Be sure to remove paper backing and to use all screws to install the brackets.

Move the appliance to the desired location.



- 6 Loosen the locknuts on all 4 leveling feet of the **pedestal** until you can turn them with the wrench. Turn clockwise to raise or counterclockwise to lower. Once the pedestal is level and all 4 feet are solidly against the floor, securely tighten all locknuts by hand.

**NOTE:** Noise and vibration may result if locknuts are not tightened.

Be sure to connect the appliances to all water, power, or gas lines and draining or venting connections before operation.

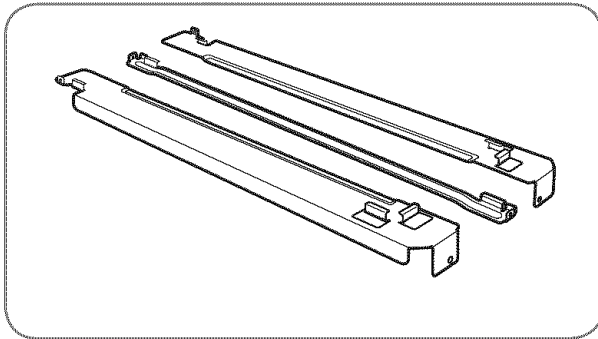
If there is excessive vibration during the first operation after installation, slightly adjust the leveling feet.

# OPTIONAL ACCESSORIES

## STACKING KIT INSTALLATION

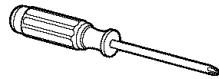
This stacking kit includes:

- Two (2) side rails
- One (1) front rail
- Four (4) screws



### Tools Needed for Installation:

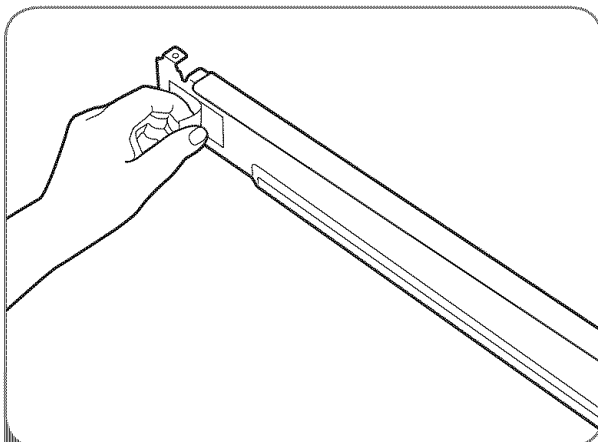
- Phillips-head screwdriver



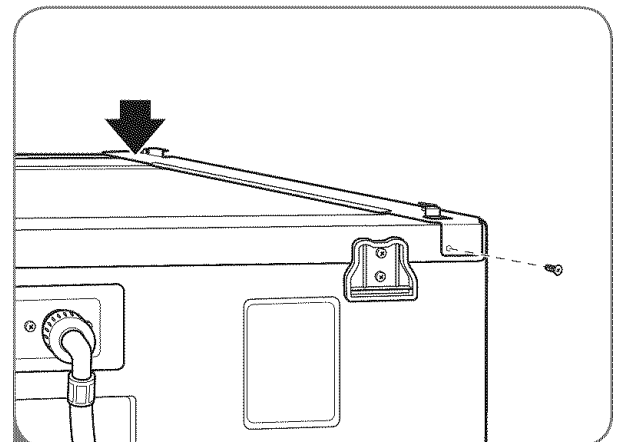
To ensure safe and secure installation, please observe the following instructions.

### **⚠ WARNING**

- **Incorrect installation can cause serious accidents.**
- **The weight of the dryer and the height of installation make this stacking procedure too risky for one person. Two or more people are required when installing the stacking kit.** There is a risk of serious back injury or other injuries.
- **Do not use the stacking kit with a gas dryer in potentially unstable conditions such as a mobile home.** Failure to follow this warning can result in serious injury.
- **Place the washer on a solid, stable, level floor capable of supporting the weight of both appliances.** Failure to follow this warning can result in serious injury.
- **If appliances are already installed, disconnect them from all power, water, or gas lines and from draining or venting connections.** Failure to do so can result in electrical shock, fire, explosion, or death.



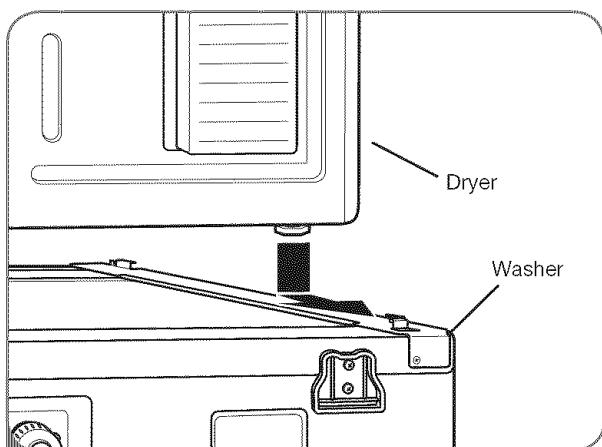
- 1 Make sure the surface of the washer is clean and dry. Remove paper backing from the tape on one of the stacking kit side brackets.



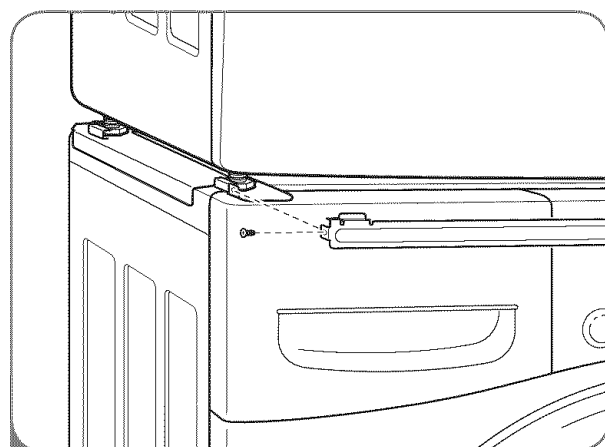
- 2 Fit the side bracket to the side of the washer top as shown in the above illustration. Firmly press the adhesive area of the bracket to the washer surface. Secure the side bracket to the washer with a screw on the back side of the bracket. Repeat steps 1 and 2 to attach the other side bracket.

# OPTIONAL ACCESSORIES

## STACKING KIT INSTALLATION (cont.)



3 Place the dryer on top of the washer by fitting the dryer feet into the side brackets as illustrated. Avoid finger injuries; do not allow fingers to be pinched between the washer and dryer. Slowly slide the dryer toward the back of the washer until the side bracket stoppers catch the dryer feet.



4 Insert the front rail between the bottom of the dryer and the top of the washer. Push the front rail toward the back of the washer until it comes in contact with the side rail stoppers. Install the two remaining screws to secure the front rail to the side rails.

# SPECIFICATIONS

## KEY DIMENSIONS AND SPECIFICATIONS

The appearance and specifications listed in this guide may vary due to constant product improvements.

TROMM™ Dryer Models DLE5955W, DLG5955G, DLG5966W, DLG5966G	
<b>Description</b>	TROMM Series Dryer
<b>Electrical Requirements*</b>	Please refer to the rating label regarding detailed information.
<b>Gas Requirements*</b>	NG: 10–13 in. WC/LP: 10–13 in. WC (Gas Models only)
<b>Dimensions</b>	27"(W) X 30"(D) X 38 <sup>11</sup> / <sub>16</sub> "(H), 50" (D with door open) 68.6 cm (W) X 76.1 cm (D) X 98.3 cm (H), 129.1 cm (D with door open)
<b>Net Weight</b>	126 lb. (57.2 kg)
<b>Drying Capacity</b>	IEC 7.3 cu. ft. (22.5 lbs./10.1 kg)

\*Refer to the rating plate on your dryer.

# LG ELECTRONICS, INC. LG DRYER LIMITED WARRANTY - CANADA



Should your product prove to be defective in materials or workmanship under normal use during the warranty period listed below, which warranty period runs from the original date of purchase, LG Electronics will, at its option, repair or replace the product at no charge to you.

This warranty is valid only to the original purchaser of the product, during the warranty period, as long as it is in Canada.

## **WARRANTY PERIOD:**

**LABOR:** Two Years from the Date of Purchase.

### **PARTS (except as listed below):**

Two Years from the Date of Purchase.

**Electronic Control Board and Drum Motor:**

Three Years from the Date of Purchase.

**Stainless Steel Drum:**

Five Years from the Date of Purchase.

## **HOW SERVICE IS HANDLED:**

### **In-Home Service:**

Please retain dealer's dated bill of sale as evidence of the Date of Purchase for proof of warranty, and submit a copy of the bill of sale to the service person at the time warranty service is provided. This warranty is void if the factory applied serial number has been altered or removed from the product.

No other warranty is applicable to this product. **THE DURATION OF ANY IMPLIED WARRANTIES, INCLUDING THE IMPLIED WARRANTY OF MERCHANTABILITY, IS LIMITED TO THE EXPRESS WARRANTY PERIOD HEREIN. LG ELECTRONICS SHALL NOT BE LIABLE FOR THE LOSS OF USE OF THE PRODUCT, INCONVENIENCE, LOSS OR ANY OTHER DAMAGES, DIRECT OR CONSEQUENTIAL, ARISING OUT OF THE USE OF OR INABILITY TO USE, THIS PRODUCT OR ANY BREACH OF ANY EXPRESS OR IMPLIED WARRANTY, INCLUDING THE IMPLIED WARRANTY OF MERCHANTABILITY OR FITNESS FOR A PARTICULAR PURPOSE, APPLICABLE TO THIS PRODUCT.**

Some Provinces or Territories do not allow the exclusion or limitation of incidental or consequential damages or limitations on how long an implied warranty lasts, so the above exclusion or limitation may not apply to you. This warranty gives you specific legal rights and you may also have other rights that vary from province to province or territory to territory.

### **THE ABOVE WARRANTY DOES NOT APPLY TO:**

- Service trips to your home to deliver, pick up, and/or install the product, instruct, replace house fuses or correct house wiring or plumbing, or correction of unauthorized repairs.
- Damage to the product caused by accident, pest, fire, floods, or acts of God.
- Repairs when your LG product is used in other than normal, single-family household use or contrary to the instructions outlined in the product's owner's manual.
- Damage resulting from accident, alteration, misuse, abuse, or improper installation or maintenance.
- Products with altered or removed serial numbers.

If the product is installed outside the normal service area, any cost of transportation involved in the repair of the product or replacement of a defective part shall be borne by you (the owner).

### **To obtain Product or Customer Service Assistance:**

Please call 1-888-LG-CANADA (888-542-2623) and select the appropriate menu option. Please have your product's model and serial numbers and your postal code ready.

### **To locate the nearest Authorized Service Center:**

Access our website at: [www.LG.ca](http://www.LG.ca) and select "Service Option". Please call 1-888-LG-CANADA (888-542-2623) and select the appropriate menu option. Please have your product's model and serial numbers and your postal code ready.

## **Product Registration Information**

**Model:**

**Serial Number:**

**Date of Purchase:**

The model and serial number be located on the rating plate inside the front door.

# INTRODUCCIÓN

## INFORMACIÓN IMPORTANTE DE SEGURIDAD

Precauciones básicas de seguridad .....	39
Qué hacer si huele gas .....	40
Instrucciones de conexión a tierra .....	41
Instrucciones importante para la instalación..	41, 42
Instrucciones importante para conectar la electricidad .....	43

## PIEZAS Y CARACTERÍSTICAS

Características especiales.....	44
Piezas y componentes clave.....	45

## INSTRUCCIONES PARA LA INSTALACIÓN

Elija la ubicación adecuada.....	46
Espacios de instalación.....	46
Instalaciones con la base pedestal o kit de apilado opcionales .....	47
Nivelación de la secadora .....	48
Cómo invertir el sentido de la puerta .....	48
Cómo cambiar la ubicación del conducto de ventilación de la secadora.....	49
Instalación del conducto de ventilación.....	50, 51
Cómo conectar las secadoras a gas.....	52, 53
Cómo conectar las secadoras eléctricas .....	54-58
Requisitos especiales para viviendas móviles o prefabricadas .....	59
Inspección de instalación final .....	59
Sistema de evaluación del estado del conducto .	60

## CÓMO USAR

Clasificación de cargas .....	61
Cómo cargar la secadora .....	61
Inspeccione el filtro de pelusa antes de cada carga.....	61
Detalles del panel de control.....	62
Guía de ciclos.....	63
Time/Status Display .....	64
Funcionamiento de la secadora .....	65
Botones de ajuste de ciclo.....	66
Programa personalizado .....	67
Botones de opción de ciclo .....	67
Funciones especiales.....	68

## MANTENIMIENTO Y LIMPIEZA

Limpieza regular .....	69
------------------------	----

## RESOLUCIÓN DE PROBLEMAS

Antes de llamar a mantenimiento.....	70-72
--------------------------------------	-------

## ESPECIFICACIONES/ACCESORIOS OPCIONALES

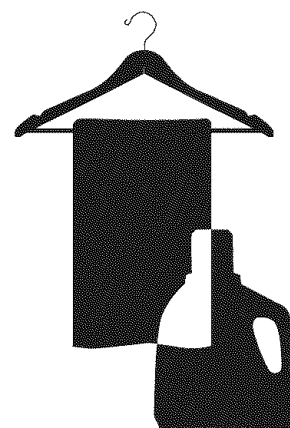
Accesorios opcionales .....	72
Instalación del pedestal .....	73, 74
Instalación del kit de apilado.....	75, 76
Dimensiones y especificaciones clave.....	76

## ¡GRACIAS!!

Felicitaciones por su compra y bienvenido a la familia LG. Su nueva Secadora LG combina la tecnología de sensor de secado más avanzada con un funcionamiento sencillo y muy eficiente. Al seguir las instrucciones de funcionamiento y mantenimiento de este manual, su secadora le brindará muchos años de servicio fiable.

## GARANTÍA

Información de registro del producto..... 77



# INSTRUCCIONES IMPORTANTE DE SEGURIDAD

## LEA TODAS LA INSTRUCCIONES ANTES DE USAR

**⚠️ ADVERTENCIA** Por su seguridad, debe seguir la información indicada en este manual para minimizar el riesgo de incendio o explosión, descarga eléctrica, o para prevenir daños a la propiedad, lesiones personales o muerte.

### Su Seguridad y la de los demás son de suma importancia.

En este manual y en su electrodoméstico figuran muchos mensajes importantes de seguridad. Lea y cumpla siempre con todos los mensajes de seguridad.



Éste es el símbolo de alerta de seguridad.

El mismo alerta sobre potenciales riesgos de muerte o heridas tanto para usted como para otras personas.

Todos los mensajes de seguridad estarán a continuación del símbolo de alerta de seguridad y con la palabra PELIGRO o ADVERTENCIA. Estas palabras significan:

**⚠️ PELIGRO:** Corre riesgo de muerte o de sufrir heridas serias si no sigue las instrucciones inmediatamente.

**⚠️ ADVERTENCIA:** Corre riesgo de muerte o de sufrir heridas serias si no sigue las instrucciones.

Todos los mensajes de seguridad le indicarán cuál es el riesgo potencial, le dirán cómo reducir las posibilidades de sufrir heridas y qué puede suceder si no se siguen las instrucciones.

## PRECAUCIONES BÁSICAS DE SEGURIDAD

**⚠️ ADVERTENCIA** Para minimizar el riesgo de incendio o explosión, descarga eléctrica, o para prevenir lesiones personales cuando use electrodomésticos, se deben seguir precauciones básicas de seguridad, incluyendo las siguientes:

- Lea todas las instrucciones antes de usar la secadora.
- Antes de usar, la secadora debe estar correctamente instalada como se describe en este manual.
- No seque artículos que hayan sido limpiados, lavados, remojados o salpicados previamente con gasolina, disolventes de limpieza en seco u otras sustancias inflamables o explosivas, ya que emanan vapores que podrían encenderse o explotar, incluso después del lavado.
- No coloque artículos que hayan sido expuestos a aceites, incluyendo aceites comestibles, en su secadora. Los artículos contaminados con aceites comestibles podrían contribuir a la generación de una reacción química que podría ocasionar que una carga se incendie.
- No introduzca las manos en la secadora cuando el tambor o las otras partes estén en movimiento.
- No deje que los niños jueguen en la secadora ni dentro de ella. Cuando se usa la secadora cerca de los niños, se necesita una supervisión estricta.
- No repare o reemplace ninguna parte de la secadora ni intente reparar la misma a menos que esto se recomiende en forma específica en esta Guía de Uso y Cuidado o en instrucciones de reparación publicadas las cuales comprende y sabe aplicar.
- No altere los controles.
- Antes de poner la secadora fuera de servicio o de tirarla, quite la puerta para prevenir que los niños se metan dentro.
- No use calor para secar artículos que contienen caucho espumoso, plásticos o materiales de textura similar al caucho. Estos deben secarse en un ciclo sin calor.
- Use suavizadores de tela o productos para eliminar estática únicamente del modo recomendado por el fabricante.
- Evite la acumulación de pelusa, polvo o tierra alrededor del área de la apertura de ventilación y áreas adyacentes.
- La parte interior de la secadora y el conducto de ventilación se deberán limpiar periódicamente, y la misma deberá ser realizada por personal calificado del servicio.
- No instale ni coloque esta secadora en lugares donde pueda estar expuesta a variables climáticas.
- Antes de cargar la secadora, siempre revise que no haya objetos extraños en su interior. Mantenga la puerta cerrada cuando no se use.
- Retire la pelusa del filtro antes de cada carga.
- No instale ni coloque esta secadora en lugares donde pueda estar expuesta a agua.

# INSTRUCCIONES IMPORTANTE DE SEGURIDAD

## LEA TODAS LA INSTRUCCIONES ANTES DE USAR

**⚠️ ADVERTENCIA** Por su seguridad, se debe seguir la información indicada en este manual para minimizar el riesgo de incendio o explosión, descarga eléctrica, o para prevenir daños a la propiedad, lesiones personales o muerte.

- No almacene o use gasolina ni ningún otro tipo de vapores o líquidos inflamables cerca de este electrodoméstico ni de ningún otro electrodoméstico.
- Únicamente un técnico calificado de mantenimiento, agencia de mantenimiento o compañía de gas deberán realizar el mantenimiento y la instalación.

## QUÉ HACER SI HUELE GAS:

1. No intente encender un cigarrillo o fósforo, ni encender ningún electrodoméstico a gas o eléctrico.
2. No toque ningún interruptor eléctrico. No use ningún teléfono en su edificio.
3. No permita que ninguna persona se encuentre en la habitación, edificio o área.
4. Llame a su compañía de gas inmediatamente desde el teléfono de un vecino. Siga las instrucciones de su compañía de gas al pie de la letra.
5. Si no puede comunicarse con su compañía de gas, llame al departamento de bomberos.

## LEY EJECUTIVA PARA LA SEGURIDAD DEL AGUA POTABLE Y LOS TÓXICOS DE CALIFORNIA (CALIFORNIA SAFE DRINKING WATER AND TOXIC ENFORCEMENT ACT)

Esta ley requiere que el gobernador de California publique un listado de sustancias conocidas en el estado que causan cáncer, defectos congénitos u otras lesiones reproductivas, y obliga a los negocios a alertar a los clientes sobre la posible exposición a tales sustancias.

Los electrodomésticos a gas pueden causar exposición leve a cuatro de estas sustancias, principalmente benceno, monóxido de carbono, formaldehído y hollín, generado principalmente por la combustión parcial del gas natural o los combustibles LP (petróleo líquido).

Las secadoras calibradas adecuadamente minimizarán la combustión parcial. Para minimizar incluso más la exposición a estas sustancias, se puede dotar a la secadora de la ventilación adecuada al exterior.

# INSTRUCCIONES IMPORTANTE DE SEGURIDAD

## LEA TODAS LA INSTRUCCIONES ANTES DE USAR

**⚠️ ADVERTENCIA** Por su seguridad, se debe seguir la información indicada en este manual para minimizar el riesgo de incendio o explosión, descarga eléctrica, o para prevenir daños a la propiedad, lesiones personales o muerte.

### INSTRUCCIONES DE CONEXIÓN A TIERRA

Este electrodoméstico deberá estar conectado a tierra. En caso de avería o mal funcionamiento, la conexión a tierra reducirá el riesgo de descargas eléctricas al brindar un camino con una resistencia menor para la corriente eléctrica. Este electrodoméstico debe estar equipado con un cable con un conductor para la conexión a tierra del equipo y un enchufe con conexión a tierra. El enchufe deberá estar conectado a una toma de corriente instalada en forma adecuada y con conexión a tierra de acuerdo con todos los códigos y ordenanzas locales.

**⚠️ ADVERTENCIA** — Una conexión inapropiada del conductor de conexión a tierra del equipo puede provocar riesgos de descargas eléctricas. Consulte a un electricista

calificado o personal del servicio si tiene dudas de que el electrodoméstico se encuentre conectado a tierra apropiadamente.

No modifique el enchufe que se entrega con el electrodoméstico. Si no coincide con la toma de corriente, contrate a un electricista calificado para que instale una toma de corriente en forma adecuada.

Este electrodoméstico debe estar conectado a un sistema de cableado de metal permanente con conexión a tierra o se debe tender un conducto para la conexión a tierra del equipo con los conductores del circuito y conectado al terminal de tierra del equipo o al conductor de suministro del electrodoméstico.

Si la secadora no se encuentra adecuadamente conectada a tierra se pueden producir descargas eléctricas.

### INSTRUCCIONES IMPORTANTE PARA LA INSTALACIÓN

**⚠️ ADVERTENCIA** Para reducir el riesgo de incendio, descargas eléctricas o heridas al usar su electrodoméstico, siga las precauciones básicas, incluyendo lo siguiente:

- **Conecte la secadora adecuadamente a tierra según todos los códigos y las regulaciones vigentes. Siga los detalles en las instrucciones de instalación.** Si la secadora no se encuentra adecuadamente conectada a tierra se pueden producir descargas eléctricas.
- **Antes de usar, la secadora debe estar correctamente instalada como se describe en este manual.** Si la secadora no se encuentra adecuadamente conectada a tierra se pueden producir descargas eléctricas.
- **Todas las reparaciones y controles deberán ser realizados por un centro de servicio autorizado a menos que se den otras recomendaciones específicas en el Manual del Usuario.** Utilice sólo piezas de fábrica autorizadas. Si no se cumple con esta advertencia se podrán producir heridas graves, incendios, descargas eléctricas o muerte.
- **Instale y almacene la secadora en un lugar no expuesto a temperaturas inferiores al punto de congelación ni expuesto a la intemperie.** Si no se cumple con esta advertencia se podrán producir heridas graves, incendios, descargas eléctricas o muerte.
- **Con el fin de reducir el riesgo de descargas eléctricas no instale la secadora en espacios húmedos.** Si no se cumple con esta advertencia se podrán producir heridas graves, incendios, descargas eléctricas o muerte.
- **Conecte un circuito eléctrico clasificado, protegido y adecuado para evitar sobrecarga eléctrica.** Un circuito eléctrico inadecuado se puede fundir, creando descargas eléctricas y/o riesgo de incendio.
- **Quite todos los elementos de embalaje y deseche adecuadamente todos los materiales de envío.** Si no se cumple con esto se podrá producir una explosión, incendio, quemaduras o muerte.
- **Coloque la secadora a un altura mínima de 18 pulgadas encima del piso para una instalación en el garaje.** Si no se cumple con esto se podrá producir una explosión, incendio, quemaduras o muerte.
- Mantenga todos los envoltorios alejados de los niños. Los materiales de los envoltorios pueden resultar peligrosos para los niños. Existe riesgo de asfixia.

# INSTRUCCIONES IMPORTANTE DE SEGURIDAD

## LEA TODAS LA INSTRUCCIONES ANTES DE USAR

**⚠️ ADVERTENCIA** Por su seguridad, se debe seguir la información indicada en este manual para minimizar el riesgo de incendio o explosión, descarga eléctrica, o para prevenir daños a la propiedad, lesiones personales o muerte.

## INSTRUCCIONES IMPORTANTE PARA LA INSTALACIÓN

**⚠️ ADVERTENCIA** Para reducir el riesgo de incendio, descargas eléctricas o heridas al usar su electrodoméstico, siga las precauciones básicas, incluyendo lo siguiente:

### Conducto de escape/Tubería:

- Las secadoras a gas **DEBEN** tener un conducto de ventilación al exterior. Si no se siguen estas instrucciones se podrá producir incendio o muerte.
- Para prevenir el ingreso de grandes cantidades de humedad y pelusa a la habitación, se recomienda **enfáticamente** dotar las secadoras eléctricas de un conducto de ventilación al exterior. La acumulación de pelusa en cualquier parte de la casa puede crear riesgos de salud e incendio.
- Use **únicamente** sistemas de ventilación de metal rígido o flexible de 4 pulgadas de diámetro dentro del gabinete de la secadora o para ventilación al exterior. Los sistemas de ventilación de plástico u otro material pueden causar incendios. Los sistemas de ventilación agujereados pueden causar incendios si se colapsan o bloquean durante el uso o la instalación.
- **No se provee el sistema de ventilación con la secadora; el mismo deberá obtenerse localmente. La tapa terminal deberá tener reguladores de tiro con bisagras para prevenir el retorno de descarga cuando no se usa la secadora.** Si no se siguen estas instrucciones se podrá producir incendio o muerte.
- El conducto de escape deberá tener 10 cm (4 pulg.) de diámetro sin obstrucciones. El conducto de escape deberá mantenerse lo más corto posible. Asegúrese de limpiar cualquier tipo de conducto antiguo antes de instalar su secadora nueva. Si no se siguen estas instrucciones se podrá producir incendio o muerte.
- Se recomiendan conductos rígidos o semirígidos para usar entre la secadora y la pared. En instalaciones particulares cuando es imposible realizar una conexión siguiendo las recomendaciones antes indicadas, únicamente se puede utilizar un conducto metálico de transición aprobado por UL entre la secadora y la conexión de pared. Usar este tipo de conducto afectará el tiempo de secado. Si no se siguen estas instrucciones se podrá producir incendio o muerte.
- **NO** utilice tornillos de lámina de metal ni otro tipo de aseguradores que extiendan dentro del conducto y puedan atrapar pelusa y reducir la eficiencia del sistema de escape. Asegure todas las uniones con cinta adhesiva impermeable. Para más detalles, siga las Instrucciones de Instalación. Si no se siguen estas instrucciones se podrá producir incendio o muerte.

# INSTRUCCIONES IMPORTANTE DE SEGURIDAD

## LEA TODAS LA INSTRUCCIONES ANTES DE USAR

**⚠️ ADVERTENCIA** Por su seguridad, se debe seguir la información indicada en este manual para minimizar el riesgo de incendio o explosión, descarga eléctrica, o para prevenir daños a la propiedad, lesiones personales o muerte.

## INSTRUCCIONES IMPORTANTE PARA CONECTAR LA ELECTRICIDAD

**⚠️ ADVERTENCIA** Para reducir el riesgo de incendio, descargas eléctricas o heridas al usar su electrodoméstico, siga las precauciones básicas, incluyendo lo siguiente:

- **Bajo ninguna circunstancia, corte o quite la tercera pata (puesta a tierra) del cable eléctrico.** Para evitar heridas a nivel personal o daños sobre la secadora, el cable de corriente eléctrica debe estar conectado en una conexión a tierra en condiciones adecuadas.
- **Por motivos de seguridad personal, este electrodoméstico debe estar conectado a tierra adecuadamente.** Si esto no se cumple se podrán producir descargas eléctricas o heridas.
- **Consulte las instrucciones de instalación de este manual para obtener los requisitos eléctricos específicos de su modelo.** Si estas instrucciones no se cumplen se podrán producir descargas eléctricas y/o riesgo de incendio.
- **Esta secadora debe estar enchufada a un tomacorriente conectado a tierra adecuadamente. Si la secadora no se encuentra adecuadamente conectada a tierra se pueden producir descargas eléctricas. Contrate a un electricista calificado para que controle el tomacorriente y el circuito eléctrico para asegurarse que el enchufe está correctamente conectado a tierra.** Esto evitará riesgos de descargas y asegurará la estabilidad durante el funcionamiento.
- **La secadora siempre debe estar enchufada a su tomacorriente individual, con la clasificación de tensión correspondiente a la placa de datos de servicio.** Esto proporciona el mejor desempeño y previene a la vez sobrecarga de los circuitos de cableado del hogar, lo que podría producir un incendio debido a los cables sobrecalentados.
- **Nunca desenchufe su secadora empujando el cable de corriente. Siempre tome su enchufe firmemente y empuje el mismo hacia fuera para retirarlo.** El cable de corriente se puede cortar debido a cualquier movimiento de su parte central, resultando en una descarga eléctrica.
- **Repare o reemplace de inmediato todos los cables de corriente pelados o con cualquier tipo de daño. No use un cable con cortaduras o abrasión sobre su extensión o extremos.** Este cable de corriente se puede fundir, creando descargas eléctricas y/o riesgo de incendio.
- **Al instalar o cambiar de lugar la secadora, evite todo tipo de cortes u otros daños en el cable de corriente.** Esto evitará heridas o daños debido a incendios o descargas eléctricas sobre la secadora.

**GUARDE ESTAS INSTRUCCIONES**

# PIEZAS Y CARACTERÍSTICAS

## CARACTERÍSTICAS ESPECIALES

### 1 PANEL DE CONTROL FÁCIL PARA USAR

Gire la perilla selectora de ciclos al ciclo de secado deseado. Añada los ajustes de ciclo o programe las opciones con el toque de un botón.

### 2 PUERTA REVERSIBLE DE FÁCIL ACCESO

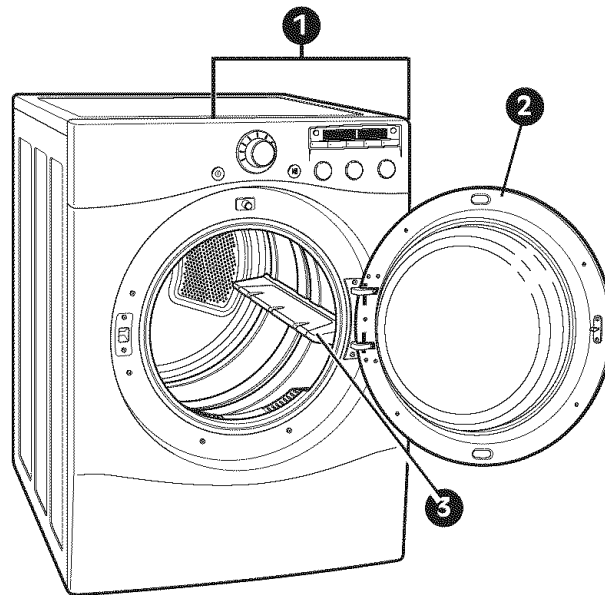
La amplia puerta provee acceso para carga y descarga. Se puede invertir el sentido de la puerta para adaptarlo al lugar de la instalación.

### 3 TAMBOR DE ACERO INOXIDABLE DE CAPACIDAD SUPERIOR ILUMINADO

El tambor de acero inoxidable de gran capacidad ofrece durabilidad superior. El tambor está equipado con una luz amarilla que se ilumina al abrir la puerta de la secadora y se apaga cuando se cierra.

### 4 SISTEMA DE SENSOR DE BLOQUEO DE CONDUCTO/FILTRO FLOWSENSE™

El sistema de sensor de bloqueo de conducto/filtro FlowSense™ detecta y lo alerta sobre bloqueos en el filtro y la tubería, lo cual reduce el flujo de combustión de la secadora. Esto no sólo ayuda a prevenir incendios y salvar vidas, sino que puede mejorar el funcionamiento y ayudar a minimizar el número de llamadas al servicio técnico, ahorrándole dinero.



# PIEZAS Y CARACTERÍSTICAS

## PIEZAS Y COMPONENTES CLAVE

Además de las características y componentes descritos en la sección de *Características especiales*, hay varios componentes importantes adicionales a los cuales se hace referencia en este manual.

### 1 FILTRO DE PELUSA MONTADO AL FRENTE

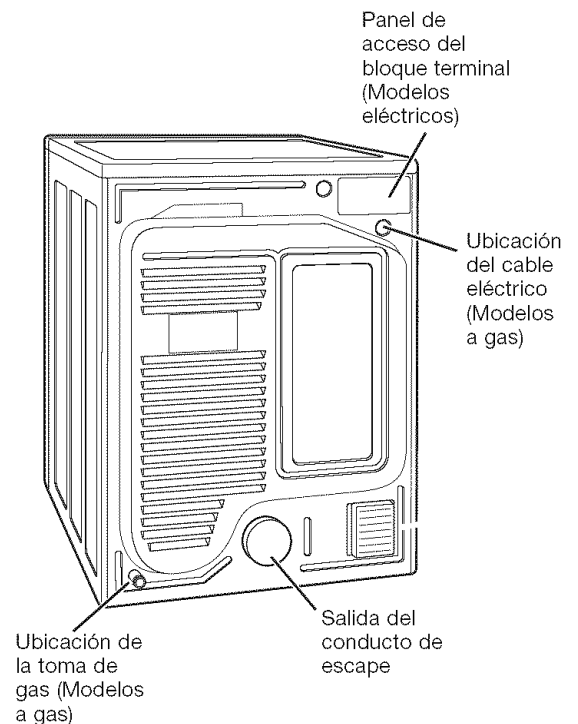
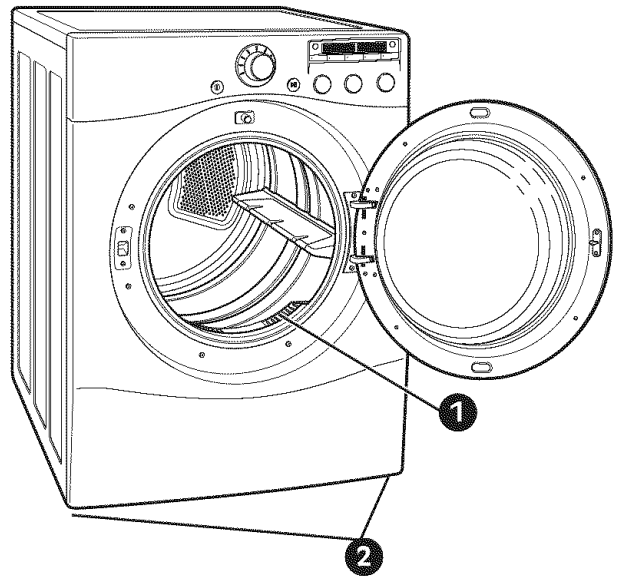
El filtro de pelusa montado al frente permite un fácil acceso y limpieza después de cada carga.

### 2 PATAS NIVELADORAS

Cuatro patas niveladoras (dos en la parte frontal y dos en la trasera) ajustables para mejorar la estabilidad de la secadora en pisos desnivelados.

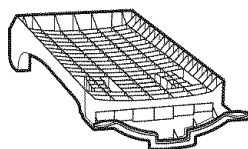
### 3 ESTANTE DE SECADO

Use el estante de secado con la opción de ciclo RACK DRY (estante de secado). El estante de secado permite colocar los artículos como sacos, prendas delicadas, calzado deportivo, en una posición horizontal para secarlos.



Parte trasera de la secadora (Se muestra el modelo eléctrico)

### Accesorios incluidos



3 Estante de secado



# INSTRUCCIONES PARA LA INSTALACIÓN

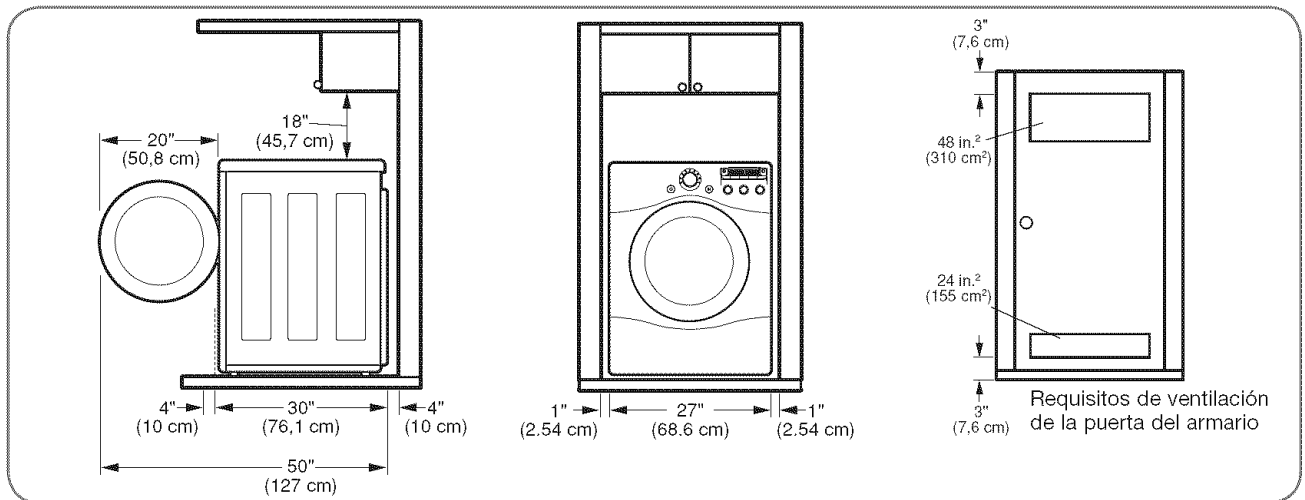
## IMPORTANTE: ¡Lea todas las instrucciones de instalación completamente antes de instalar y hacer funcionar su secadora!

Es importante que revise todo este manual antes de instalar y usar su secadora. Se proporcionan instrucciones detalladas pertinentes a las conexiones eléctricas, de gas y los requisitos de escape en las siguientes páginas.

## ESCOJA EL LUGAR ADECUADO

- Almacene e instale la secadora en un lugar no expuesto a temperaturas inferiores a las de congelación ni a la intemperie.
- escoja una ubicación con un piso rígido y nivelado.
- Si va a instalar la secadora en el garaje, colóquela a una altura mínima de 18 pulgadas (46 cm) por encima del piso.
- Conecte la secadora adecuadamente a tierra según todos los códigos y las regulaciones vigentes.
- Para reducir el riesgo de descarga eléctrica, no instale la secadora en sitios húmedos ni mojados.
- Si instala la secadora en una vivienda móvil o prefabricada, por favor consulte la sección de *Requisitos especiales para viviendas móviles o prefabricadas*.

## ESPACIOS DE INSTALACIÓN



- La mayoría de instalaciones requieren un espacio mínimo de 5 1/2 pulgadas (14 cm) detrás de la secadora para la instalación del conducto de escape.
- Deje espacios mínimos de por lo menos 1 pulgada (2,5 cm) a los lados y parte trasera para minimizar la vibración y el ruido.
- Se recomienda disponer de espacio adicional para la instalación y el mantenimiento.
- No olvidar prever espacio para las molduras de pared, puerta o piso que podrían aumentar los espacios de instalación requeridos.
- Deje por lo menos 24 pulgadas (61,2 cm) al frente de la secadora para abrir la puerta.

Instrucciones adicionales para las instalaciones en armarios:

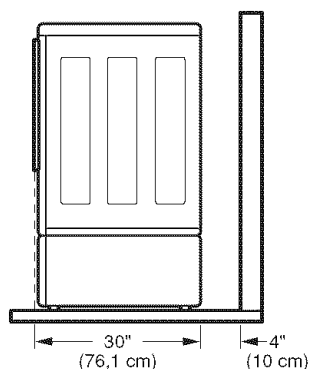
- La puerta del armario debe disponer de flujo de aire suficiente. Consulte el diagrama indicado más arriba para obtener los requisitos mínimos de abertura para ventilación. También es aceptable una puerta tipo persiana.
- Asegúrese que se dispone de por lo menos 18 pulgadas (46 cm) de espacio de instalación sobre la secadora.

# INSTRUCCIONES PARA LA INSTALACIÓN

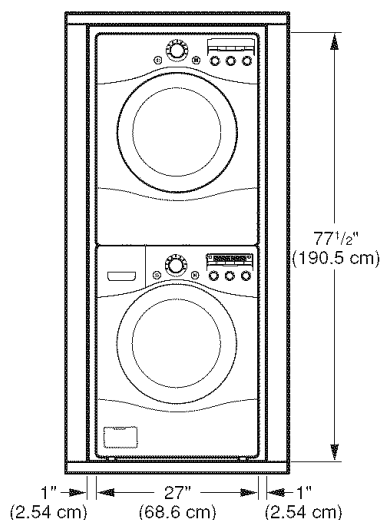
## INSTALACIONES CON LA BASE PEDESTAL O KIT DE APILADO OPCIONALES

**IMPORTANTE:** Si está instalando su secadora con una base de pedestal o un kit de apilado opcionales, consulte la sección de *Accesorios opcionales* incluida en este manual o las instrucciones de su pedestal o kit de apilado antes de continuar con la instalación.

Dimensiones requeridas para la instalación con pedestal

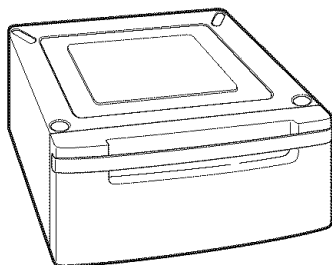


Dimensiones requeridas para la instalación con el kit de apilado



## ACCESORIOS OPCIONALES

Para estos y otros productos LG, llame a su distribuidor LG local, o visite nuestro sitio Web en [us.lge.com](http://us.lge.com).



**Pedestal**  
(Adquirido por separado)



**Kit de apilado**  
(Adquirido por separado)

# INSTRUCCIONES PARA LA INSTALACIÓN

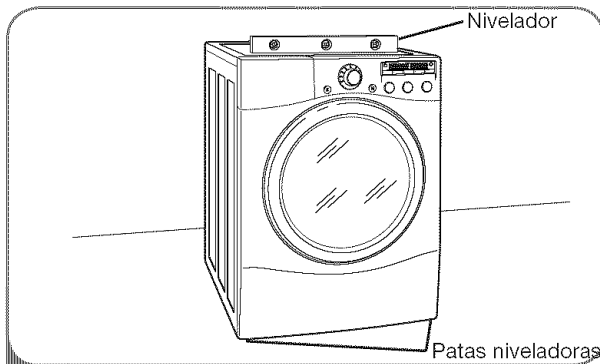
## NIVELACIÓN DE LA SECADORA

Para asegurar que la secadora brinde un desempeño óptimo de secado, debe estar nivelada. Para minimizar la vibración, el ruido y movimiento no deseados, el piso deberá ser una superficie perfectamente nivelada y sólida.

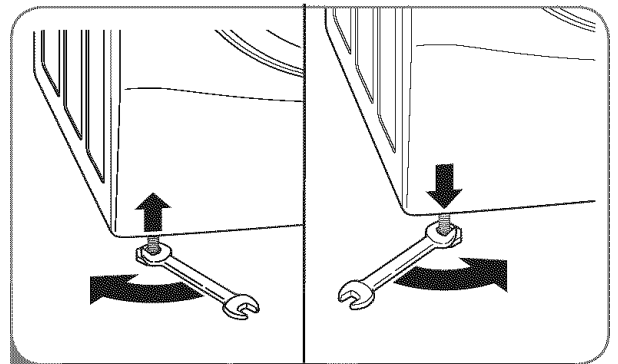
**NOTA:** Fije las patas niveladoras solo en la medida necesaria para nivelar la secadora. La extensión de las patas niveladoras más de lo necesario puede causar vibración de la secadora.

- Las 4 patas niveladoras deberán apoyarse firmemente en el piso. Empuje suavemente las esquinas superiores de la secadora para asegurarse de que su secadora no se mece de esquina a esquina.

Si está instalando la secadora sobre el accesorio de pedestal opcional, deberá usar las patas niveladoras del **pedestal** para nivelarla. Las patas niveladoras de la secadora deberán estar completamente retraídas.



- 1 Coloque la secadora en la posición final. Coloque un nivelador sobre la secadora.

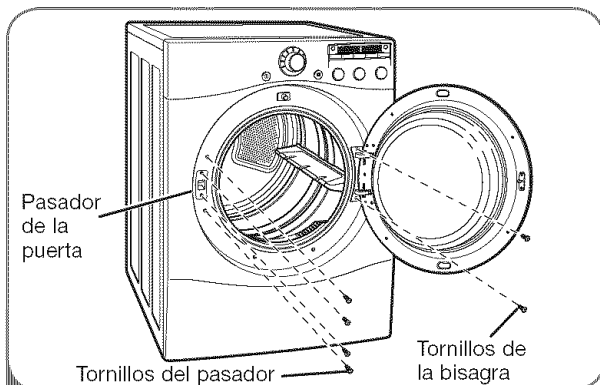


- 2 Use una llave de tuerca ajustable para girar las patas niveladoras. Gire en la dirección de las manecillas del reloj para levantar la secadora o en dirección contraria para bajarla. Suba o baje las patas niveladoras hasta que la secadora esté nivelada de lado a lado y de adelante hacia atrás.

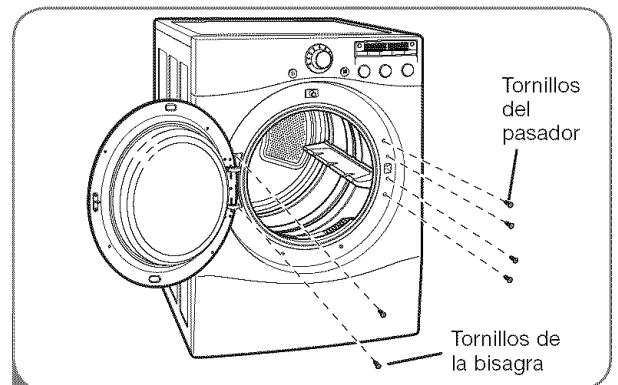
Asegúrese de que las 4 patas niveladoras se encuentran haciendo contacto firme con el piso.

## CÓMO INVERTIR EL SENTIDO DE LA PUERTA

Se puede invertir el sentido de la puerta para que se adapte a su lugar de instalación.



- 1 Abra la puerta de la secadora. Utilizando un destornillador Phillips, quite los 2 tornillos que aseguran la bisagra de la puerta a la abertura de la puerta de la secadora. Quite los 4 tornillos del lado del pasador de la abertura de la puerta de la secadora, y quite el pasador.



- 2 Dé vuelta a la puerta de modo que se invierta la bisagra, y vuelva a colocar la puerta usando los dos tornillos que quitó anteriormente. Reinstale el pasador de la puerta y los cuatro tornillos.

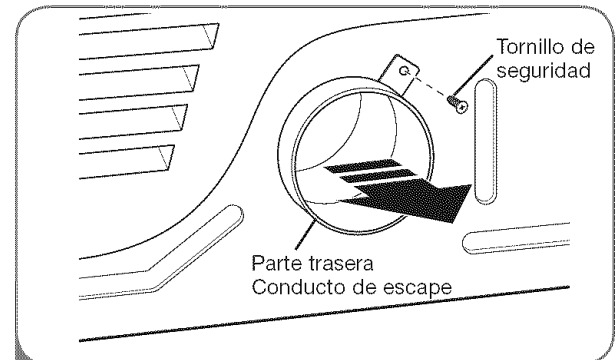
Pruebe el movimiento de la puerta asegurándose de que se mueve libremente y se asegura correctamente.

# INSTRUCCIONES PARA LA INSTALACIÓN

## CÓMO CAMBIAR LA UBICACIÓN DEL CONDUCTO DE VENTILACIÓN DE LA SECADORA

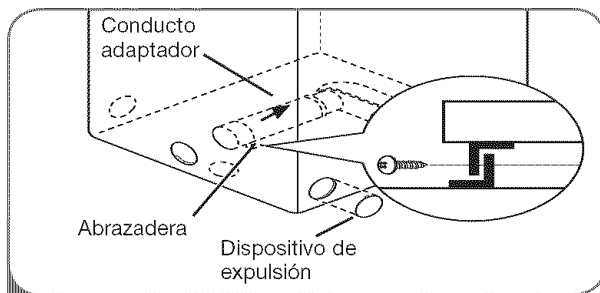
Su secadora está equipada de fábrica para ventilar en la parte trasera. También puede configurarse para ventilar en la parte inferior o lateralmente (no está disponible la ventilación del lado derecho en los modelos a gas).

Puede adquirirse el kit adaptador, número de pieza 383EEL9001B, de su distribuidor LG. Este kit contiene los componentes de conducto necesarios para cambiar la ubicación de la ventilación de la secadora.

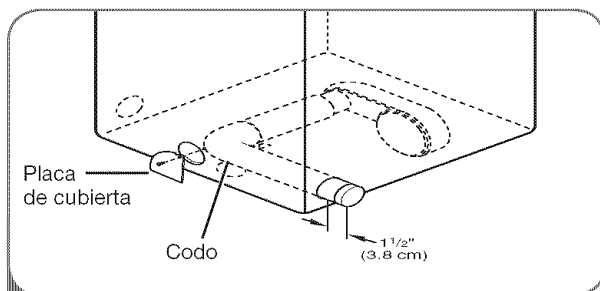


- 1 Quite el tornillo de seguridad del conducto de ventilación trasero. Tire del conducto de ventilación hacia afuera.

### OPCIÓN 1: Ventilación lateral

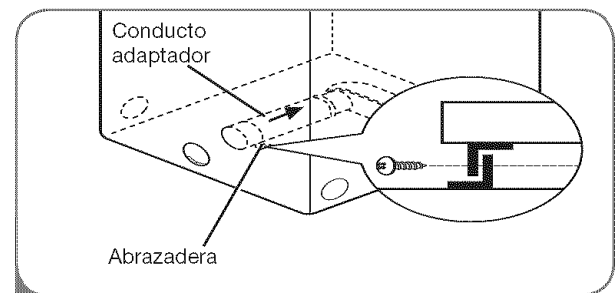


- 2 Apriete las lengüetas en el dispositivo de expulsión y retírelo cuidadosamente para obtener la ventilación adecuada (no está disponible ventilación lateral en los modelos a gas). Apriete el conducto adaptador en la carcasa del ventilador y asegure la base de la secadora como se indica.

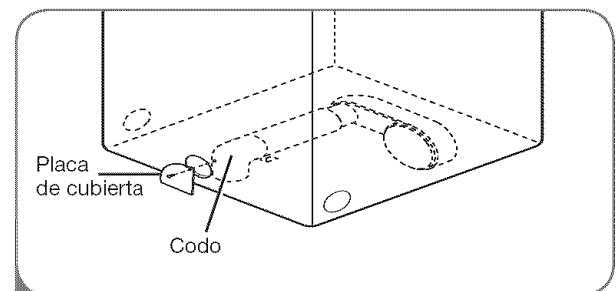


- 3 Conecte un codo de 4 pulgadas (10 cm) a la siguiente sección de conducto de 4 pulgadas (10 cm), y asegure todas las conexiones con cinta adhesiva impermeable. Asegúrese de que el extremo macho del codo apunte hacia AFUERA de la secadora. Inserte el montaje de codo/conducto a través de la abertura lateral y presiónelo en el conducto adaptador. Asegúrelo en su lugar con cinta adhesiva impermeable. Asegúrese de que el extremo macho del conducto sobresalga 1 1/2 pulgadas (3,8 cm) para conectar el resto del sistema de ventilación. Conecte la placa de cubierta a la parte trasera de la secadora con el tornillo provisto.

### OPCIÓN 2: Ventilación inferior



- 2 Apriete las lengüetas en el dispositivo de expulsión y retírelo cuidadosamente para obtener la ventilación adecuada (no está disponible ventilación lateral en los modelos a gas). Apriete el conducto adaptador en la carcasa del ventilador y asegure la base de la secadora como se indica.



- 3 Inserte el codo de 4 pulgadas (10 cm) a través de la abertura trasera y apriételo en el conducto adaptador. Asegúrese de que el extremo macho y el codo apunten hacia abajo por el orificio ubicado en la parte inferior de la secadora. Asegúrelo en su lugar con cinta adhesiva impermeable.

Conecte la placa de cubierta a la parte trasera de la secadora con el tornillo provisto.

# INSTRUCCIONES PARA LA INSTALACIÓN

## CONEXIÓN DEL CONDUCTO DE VENTILACIÓN DE LA SECADORA

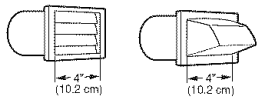
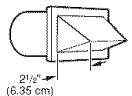
**⚠ ADVERTENCIA** Para reducir el riesgo de incendio, descargas eléctricas o heridas al usar su electrodoméstico, siga las precauciones básicas, incluyendo lo siguiente:

- **No aplaste ni doble el sistema de conducto.** Si no se siguen estas instrucciones se podrá producir incendio o muerte.
- **No permita que el sistema de conducto se asiente sobre objetos puntiagudos ni entre en contacto con los mismos.** Si no se siguen estas instrucciones se podrá producir incendio o muerte.
- **Si conecta a un sistema de conducto existente, asegúrese de que sea adecuado y de que esté limpio antes de instalar la secadora.** Si no se siguen estas instrucciones se podrá producir incendio o muerte.
- **El sistema de ventilación debe seguir los códigos de construcción.** Si no se siguen estas instrucciones se podrá producir incendio o muerte.
- **Las secadoras de gas DEBEN ventilar hacia el exterior.** Si no se siguen estas instrucciones se podrá producir incendio o muerte.
- **Únicamente use un sistema de conducto rígido y de metal flexible de 10 cm (4 pulg.) dentro del gabinete de la secadora y para ventilación al exterior.** Si no se siguen estas instrucciones se podrá producir incendio o muerte.
- **Para reducir el riesgo de incendio, combustión o acumulación de gases combustibles, NO descargue el escape de la secadora en un área cerrada o no ventilada, tal como un desván, pared, cielo raso, espacio entre el cimiento y la tierra, chimenea, conducto de gas o espacios ocultos de un edificio.** Si no se siguen estas instrucciones se podrá producir incendio o muerte.
- **Para reducir el riesgo de incendio, NO descargue el escape de la secadora usando conductos de plástico ni de lámina metálica.** Si no se siguen estas instrucciones se podrá producir incendio o muerte.
- **El conducto de escape deberá tener 10 cm (4 pulg.) de diámetro sin obstrucciones. El conducto de escape deberá mantenerse lo más corto posible. Asegúrese de limpiar cualquier tipo de conducto antiguo antes de instalar su secadora nueva.** Si no se siguen estas instrucciones se podrá producir incendio o muerte.
- **Se recomiendan conductos rígidos o semirígidos para usar entre la secadora y la pared. En instalaciones particulares cuando es imposible realizar una conexión siguiendo las recomendaciones antes indicadas, únicamente se puede utilizar un conducto metálico de transición aprobado por UL entre la secadora y la conexión de pared. Usar este tipo de conducto afectará el tiempo de secado.** Si no se siguen estas instrucciones se podrá producir incendio o muerte.
- **NO utilice tornillos de lámina de metal ni otro tipo de aseguradores que extiendan dentro del conducto y puedan atrapar pelusa y reducir la eficiencia del sistema de escape. Asegure todas las uniones con cinta adhesiva impermeable.** Si no se siguen estas instrucciones se podrá producir incendio o muerte.
- **Para maximizar los resultados de funcionamiento, siga las limitaciones de longitud del conducto indicadas en el cuadro de arriba.** Si no se siguen estas instrucciones se podrá producir incendio o muerte.
- **No se provee el sistema de ventilación con la secadora; el mismo deberá obtenerse localmente. La tapa terminal deberá tener reguladores de tiro con bisagras para prevenir el retorno de descarga cuando no se usa la secadora.** Si no se siguen estas instrucciones se podrá producir incendio o muerte.

# INSTRUCCIONES PARA LA INSTALACIÓN

## CONEXIÓN DEL CONDUCTO DE VENTILACIÓN DE LA SECADORA (cont.)

### Sistema de conducto

Tipo de tapa de pared	Número de Codos de 90°	Long. máx. de conducto metálico flexible de diám. 4"	Long. máx. de conducto metálico flexible de diám. 4"
Recomendado 	0	65 pies (19,8 m)	45 pies (13,7 m)
	1	55 pies (16,8 m)	35 pies (10,7 m)
	2	47 pies (13,7 m)	30 pies (9,1 m)
	3	36 pies (11,0 m)	25 pies (7,6 m)
	4	28 pies (8,5 m)	20 pies (6,1 m)
Solamente por el uso en los instalaciones de conducto cortos 	0	55 pies (16,8 m)	35 pies (10,7 m)
	1	47 pies (13,7 m)	27 pies (8,1 m)
	2	41 pies (12,5 m)	21 pies (6,4 m)
	3	30 pies (9,1 m)	17 pies (5,2 m)
	4	22 pies (6,7 m)	15 pies (4,5 m)

**NOTA:** Reste 6 pies (1,8 m) por cada codo adicional. No se recomienda usar más de cuatro codos de 90°.

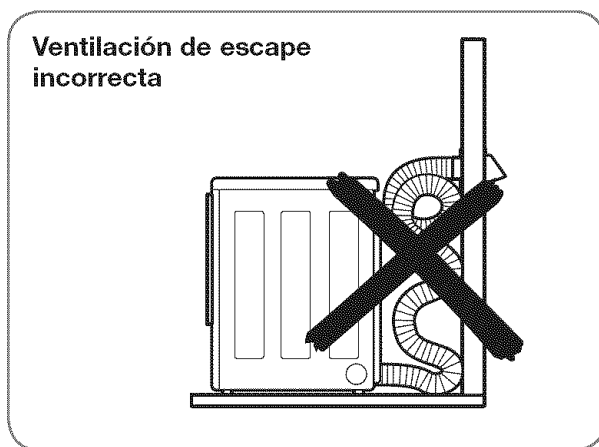
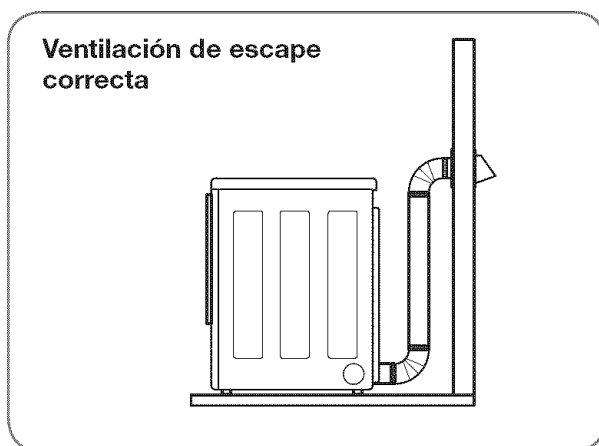
### Direccionamiento y conexión del sistema de conducto de escape

Siga las pautas indicadas más abajo para maximizar el desempeño de secado y reducir la acumulación de pelusa en el sistema de conducto.

**NOTA:** El sistema de conducto y las conexiones NO están incluidas y deben adquirirse por separado.

- Use un sistema de conducto metálico rígido o semirígido de 10 cm (4 pulg.).
- El conducto de escape **deberá** tenderse lo más corto posible.
- Use la menor cantidad de conexiones de codo que sea posible.
- El extremo macho de cada sección del conducto de escape deberá apuntar hacia afuera de la secadora.
- Use cinta adhesiva impermeable en todas las conexiones de conducto.
- Aísle el sistema de conducto que se tiende a través de áreas sin calefacción para reducir la condensación y acumulación de pelusa en las superficies del conducto.

**IMPORTANTE:** Si no se instala correctamente la ventilación de escape de la secadora, se anulará la garantía.



# INSTRUCCIONES PARA LA INSTALACIÓN

## CONEXIÓN DE SECADORAS A GAS

**⚠ ADVERTENCIA** Para reducir el riesgo de incendio, descargas eléctricas o heridas al usar su electrodoméstico, siga las precauciones básicas, incluyendo lo siguiente:

- **Requisitos de suministro de gas:**  
Como enviado de fábrica, si configura la secadora para uso con gas natural. Puede convertirse para usar con gas LP (propano líquido). La presión de gas no debe sobrepasar la columna de agua de 13 pulgadas.
- **Un técnico calificado de mantenimiento o de la compañía de gas debe conectar la secadora al suministro de gas.** Si no se cumple con esto se podrá producir una explosión, incendio o muerte.
- **Aísle la secadora del sistema de suministro de gas cerrando su válvula de corte individual manual durante cualquier tipo de prueba de presión del suministro de gas.** Si no se cumple con esto se podrá producir una explosión, incendio o muerte.
- **Requisitos de la línea de suministro:** Su cuarto de lavado debe tener una línea rígida de suministro de gas para la secadora. En los EE. UU., se debe instalar una válvula de corte manual individual a una distancia de por lo menos 6 pies (1,8 m) de la secadora, de acuerdo con el Código Nacional de Gas Combustible ANSI Z223.1. Se debe instalar un tapón de tubería de 1/8 pulgadas NPT. Si no se cumple con esto se podrá producir una explosión, incendio o muerte.
- **Si se usa tubería rígida, la tubería rígida deberá ser de 1/2 pulgadas IPS.** Si es aceptable según los códigos y las regulaciones locales, y cuando sea aceptable según su compañía proveedora de gas, se puede usar tubería de 3/8 pulgadas aprobada, cuando las longitudes sean menores de 20 pies (6,1 m). Se debe usar tubería más larga en caso de longitudes que exceden los 20 pies (6,1 m). Si no se cumple con esto se podrá producir una explosión, incendio o muerte.
- **Conecte la secadora al tipo de gas indicado en la placa del nombre.** Si no se cumple con esto se podrá producir una explosión, incendio o muerte.
- **Para prevenir la contaminación de la válvula de gas, elimine el aire sedimento del suministro de gas antes de conectar el suministro de gas a la secadora. Antes de ajustar la conexión entre el suministro de gas y la secadora, purgue el aire hasta que se detecte olor a gas.** Si no se cumple con esto se podrá producir una explosión, incendio o muerte.
- **NO use una llama abierta para inspeccionar las fugas de gas. Use un fluido anticorrosivo para detección de fugas.** Si no se cumple con esto se podrá producir una explosión, incendio o muerte.
- **Utilice únicamente una línea de suministro de gas nueva certificada por AGA o CSA, con conectores flexibles de acero inoxidable.** Si no se cumple con esto se podrá producir una explosión, incendio o muerte.
- **Ajuste bien todas las conexiones de gas.** Si no se cumple con esto se podrá producir una explosión, incendio o muerte.
- **Use cinta de Teflón® o un compuesto para conexiones de tubería insoluble en gas de petróleo líquido (LP) en todas las roscas de tubería.** Si no se cumple con esto se podrá producir una explosión, incendio o muerte.
- **NO intente desmontar ningún componente de la secadora; cualquier desmontaje requiere de la atención y herramientas de un técnico o compañía de mantenimiento autorizado y calificado.** Si no se cumple con esto se podrá producir una explosión, incendio o muerte.

### *Requisitos eléctricos para modelos a gas únicamente*

- **Bajo ninguna circunstancia, corte o quite la tercera pata (puesta a tierra) del cable eléctrico.** Si no se cumple con esto se podrá producir una explosión, incendio o muerte.
- **Por motivos de seguridad personal, la secadora debe estar conectada a tierra adecuadamente.** Si no se cumple con esto se podrá producir una explosión, incendio o muerte.
- **El cable eléctrico de esta secadora está equipado con un enchufe de 3 patas (conexión a tierra) que se conecta a un tomacorriente de pared de tres patas (con conexión a tierra) para minimizar la posibilidad de peligro de descarga eléctrica de este electrodoméstico.** Si no se cumple con esto se podrá producir una explosión, incendio o muerte.
- **Se debe enchufar esta secadora a un tomacorriente conectado a tierra de 120 V CA, 60 Hz protegido por un fusible o cortacircuitos de 15 amperios.** Si no se cumple con esto se podrá producir una explosión, incendio o muerte.
- **En caso de disponer de un tomacorriente de pared estándar de 2 patas, debe cambiarlo por uno de 3 patas conectado a tierra adecuadamente.** Si no se cumple con esto se podrá producir una explosión, incendio o muerte.

# INSTRUCCIONES PARA LA INSTALACIÓN

## CONEXIÓN DE SECADORAS A GAS (cont.)

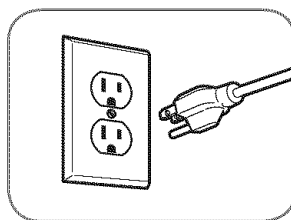
### ⚠️ ADVERTENCIA

- La instalación y el mantenimiento deben proveerse por un instalador calificado, agencia de mantenimiento o compañía de gas. Si no se cumple con esto se podrá producir una explosión, incendio o muerte.
- Use únicamente un conector de acero inoxidable nuevo y un conector certificado por AGA nuevo. Si no se cumple con esto se podrá producir una explosión, incendio o muerte.
- Se debe instalar una válvula de corte de gas a una distancia mínima de 6 pies (1,8 m) de la secadora. Si no se cumple con esto se podrá producir una explosión, incendio o muerte.
- La secadora está configurada para gas natural cuando se envía de fábrica. Asegúrese de que la secadora está equipada con la boquilla de quemador correcta para el tipo de gas que se usará (gas natural o petróleo líquido, LP). Si no se cumple con esto se podrá producir una explosión, incendio o muerte.
- De ser necesario, un técnico calificado debe instalar la boquilla correcta (para el kit de boquilla LP, ordene la pieza de pedido Núm. 4948EL4002B) y se debe anotar el cambio en la secadora. Si no se cumple con esto se podrá producir una explosión, incendio o muerte.
- Se deben realizar todas las conexiones según los códigos y las regulaciones locales. Si no se cumple con esto se podrá producir una explosión, incendio o muerte.
- Las secadoras de gas **DEBEN** ventilar hacia el exterior. Si no se cumple con esto se podrá producir una explosión, incendio o muerte.

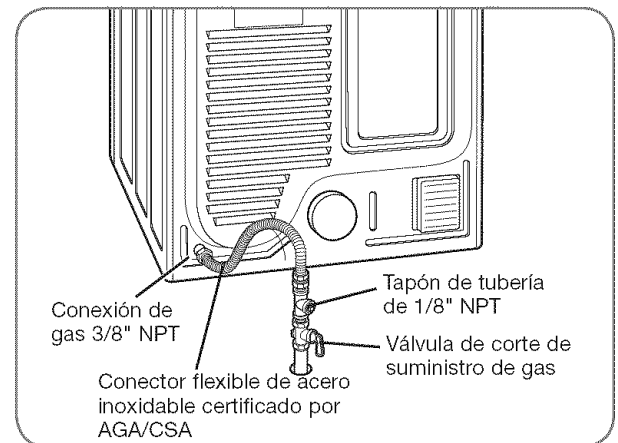
### Conexión del suministro de gas

- 1 Asegúrese de que el suministro de gas al cuarto de lavado se encuentre APAGADO. Confirme que el tipo de gas disponible en su cuarto de lavado sea el adecuado para la secadora. La secadora está lista para la conexión de gas natural de 3/8 pulgadas NPT.
- 2 Quite la tapa de envío de la conexión de gas localizada de la parte trasera de la secadora. Asegúrese de no dañar la rosca del conector de gas al quitar la tapa de envío.
- 3 Conecte la secadora al suministro de gas de su cuarto de lavado usando un conector de acero inoxidable flexible nuevo con una conexión de 3/8 pulgadas NPT.
- 4 Ajuste bien todas las conexiones entre la secadora y el suministro de gas de su cuarto de lavado. Abra el suministro de gas de su cuarto de lavado y verifique que no haya fugas en todas las conexiones de tubería (tanto interiores como exteriores) usando un fluido anticorrosivo para detección de fugas.

### Conexión eléctrica



Enchufe la secadora en un tomacorriente de 120 V CA, 60 Hz de tres patas conectado a tierra.



### Instalaciones en lugares de gran altitud

La clasificación BTU para esta secadora es certificación AGA para elevaciones por debajo de los 10.000 pies.

Si va a instalar su secadora a más de 10.000 pies, debe ser desclasificada por un técnico calificado o compañía de gas.

# INSTRUCCIONES PARA LA INSTALACIÓN

## CÓMO CONECTAR LAS SECADORAS ELÉCTRICAS

**⚠️ ADVERTENCIA:** Para ayudar a evitar incendios, descargas eléctricas, heridas graves o muerte, el cableado e instalación a tierra deben cumplir con la última edición del Código Eléctrico Nacional, ANSI/NFPA 70 y todas las regulaciones locales aplicables. Por favor comuníquese con un electricista calificado para que controle el cableado y los fusibles y así asegurar que su casa posee energía eléctrica adecuada para operar la secadora.

### *Requisitos eléctricos únicamente para modelos eléctricos*

**⚠️ ADVERTENCIA** — Para reducir el riesgo de incendio, descargas eléctricas o heridas al usar su electrodoméstico, siga las precauciones básicas, incluyendo lo siguiente:

- Esta secadora debe estar conectada a un sistema de cableado metálico permanente conectado a tierra, o se debe tender un conductor de conexión a tierra de equipo con los conductores de circuito y conectado a la terminal de conexión a tierra del equipo o conductor de la secadora. Si no se cumple con esto se podrá producir una explosión, incendio o muerte.
- La secadora tiene su propio bloque terminal, el cual debe conectarse a un circuito de una sola fase de 240 V CA, de 60 Hz, protegido con fusible de 30 amperios (el circuito debe tener protección de fusible a ambos terminales de la línea). **EL SUMINISTRO ELÉCTRICO DE LA SECADORA DEBERÁ SER DE LA MÁXIMA CLASIFICACIÓN DE VOLTAJE LISTADA EN LA PLACA DE CARACTERÍSTICAS. NO CONECTE LA SECADORA A UN CIRCUITO DE 110, 115 Ó 120 VOLTIOS.** Se dispone de elementos de calentamiento para instalación de campo en secadoras que deben conectarse a un suministro eléctrico de voltaje diferente al listado en la placa de datos de servicio. Si no se cumple con esto se podrá producir una explosión, incendio o muerte.
- Si un circuito de ramal a la secadora es de 15 pies (4,5 m) o menos de longitud, use alambre listado por UL (Underwriters Laboratories) Núm.-10 AWG (únicamente alambre de cobre), o según lo requieran las leyes locales. Si es más largo de 15 pies (4,50 m), use alambre listado por UL (Underwriters Laboratories) Núm.-8 AWG (únicamente alambre de cobre), o según lo requieran las leyes locales. Disponga de suficiente dotación de cableado, de manera de poder mover la secadora de su ubicación normal cuando sea necesario. Si no se cumple con esto se podrá producir una explosión, incendio o muerte.
- **NO** se provee la conexión en espiral del cable eléctrico entre la caja de pared y el bloque terminal de la secadora con la misma. El tipo de conexión en espiral y el calibre del alambre deben seguir los códigos locales y las instrucciones indicadas en las siguientes páginas. Si no se cumple con esto se podrá producir una explosión, incendio o muerte.
- Se requiere una conexión de 4 hilos en todas las instalaciones de viviendas móviles y prefabricadas, así como en todas las construcciones nuevas posteriores al 1 de enero de 1996. Se debe usar una conexión de 4 hilos si los códigos locales no permitan la conexión a tierra utilizando el alambre neutro. Si no se cumple con esto se podrá producir una explosión, incendio o muerte.

### *Requisitos eléctricos especiales para viviendas móviles o prefabricadas*

**⚠️ ADVERTENCIA** — Para reducir el riesgo de incendio, descargas eléctricas o heridas al usar su electrodoméstico, siga las precauciones básicas, incluyendo lo siguiente:

- Cualquier instalación en una vivienda móvil o prefabricada debe realizarse de conformidad con los Estándares de seguridad y construcción de viviendas prefabricadas, Título 24 CFR, Parte 32-80 o estándar CAN/CSA02240 MH y con los códigos y regulaciones locales.
- Se requiere una conexión de 4 hilos en todas las instalaciones de viviendas móviles y prefabricadas, así como en todas las construcciones nuevas posteriores al 1 de enero de 1996. Si no se cumple con esto se podrá producir una explosión, incendio o muerte.

# INSTRUCCIONES PARA LA INSTALACIÓN

## CÓMO CONECTAR LAS SECADORAS ELÉCTRICAS (cont.)

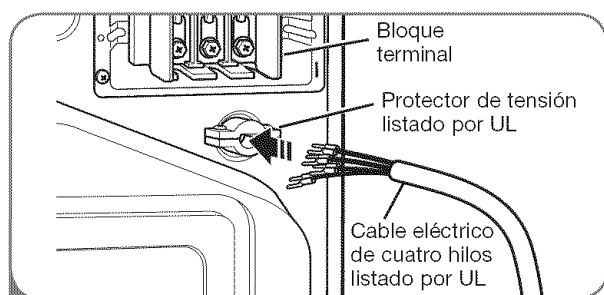
### ⚠️ ADVERTENCIA:

- Conecte el cable de suministro de corriente al bloque terminal. Cada cable se debe conectar al tornillo del mismo color. El color del cable que figura en el manual se conecta al tornillo del mismo color en el bloque. De otro modo se podrá producir un flujo de corriente corto o excesivo.
- Contacto por conductor neutro esta prohibido por: (1) nuevas instalaciones de branch-circuito, (2) las casas móviles, (3) vehiculos recreacionales, y (4) areas donde los codigos prohíbe una conexión a tierra por el conductor neutro.

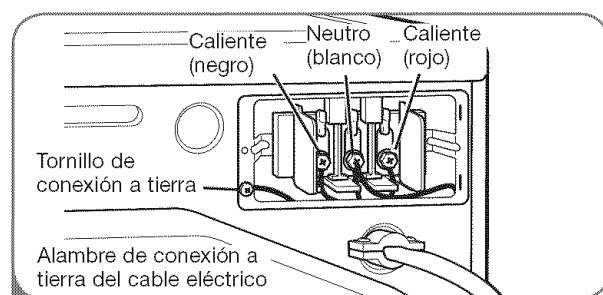


### Conexión de cuatro hilos para secadoras eléctricas: Cable eléctrico con enchufe

- Se requiere una conexión de 4 hilos en todas las instalaciones de viviendas móviles y prefabricadas, así como en todas las construcciones nuevas posteriores al 1 de enero de 1996.
- Se requiere un protector de tensión listado por UL.
- Instale un cable eléctrico de 30 amp, 240 V, listado por UL con un conductor de cobre Núm.-10 AWG como mínimo y terminales de bucle cerrado o de horquilla con extremos doblados hacia arriba.



- 1 Quite la cubierta de acceso al bloque terminal localizado en la parte superior trasera de la secadora. Instale un protector de tensión listado por UL en el orificio de pase del cable eléctrico; luego pase un cable eléctrico conductor de cobre Núm. 10 AWG de por lo menos 4 hilos, 30 A listado por UL por el protector de tensión.



- 2 Transfiera el alambre de conexión a tierra de la secadora detrás del tornillo de conexión a tierra de color verde al tornillo central del bloque terminal. Conecte los dos conductores calientes del cable eléctrico a los tornillos del bloque terminal exterior. Conecte el cable neutro de color blanco al tornillo del bloque terminal central. Conecte el alambre de conexión a tierra del cable eléctrico al tornillo de conexión a tierra de color verde. AJUSTE BIEN TODOS LOS TORNILLOS. Reinstale la cubierta de acceso del bloque terminal.



# INSTRUCCIONES PARA LA INSTALACIÓN

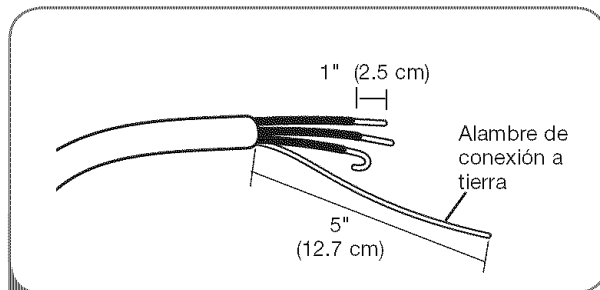
## CÓMO CONECTAR LAS SECADORAS ELÉCTRICAS (cont.)

### ⚠️ ADVERTENCIA:

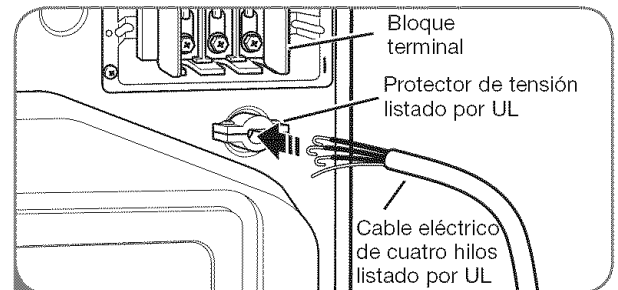
- Conecte el cable de suministro de corriente al bloque terminal. Cada cable se debe conectar al tornillo del mismo color. El color del cable que figura en el manual se conecta al tornillo del mismo color en el bloque. De otro modo se podrá producir un flujo de corriente corto o excesivo.
- Contacto por conductor neutro esta prohibido por: (1) nuevas instalaciones de branch-circuito, (2) las casas mobiles, (3) vehiculos recreacionales, y (4) areas donde los codigos prohíbe una conexión a tierra por el conductor neutro.

### Conexión de cuatro hilos para secadoras eléctricas: Conexión directa

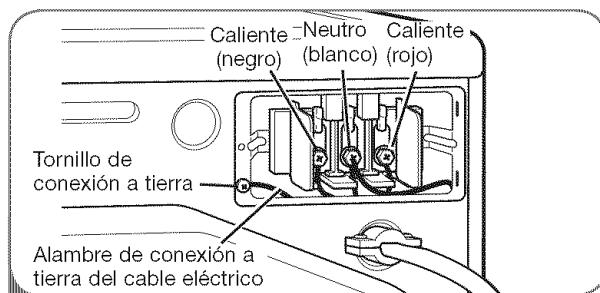
- Se requiere una conexión de 4 hilos en todas las instalaciones de viviendas móviles y prefabricadas, así como en todas las construcciones nuevas posteriores al 1 de enero de 1996.
- Se requiere un protector de tensión listado por UL.
- Instale un cable eléctrico listado por UL con 4 conductores de cobre Núm.-10 AWG como mínimo.
- Prepare un mínimo de 5 pies (1.5 m) de longitud para poder quitar y reemplazar la secadora.



- 1 Despegue 5 pulg. (12.7 cm) de la cubierta del cable del final. Descubra 5 pulg. del cable de tierra. Corte 1 1/2 pulg. (3.8 cm) de los otros 3 cables y despuega 1 pulg. (2.5 cm) del aislamiento del cada uno. Haga los finales del 3 cables en forma de gancho.



- 2 Quite la cubierta de acceso al bloque terminal localizado en la parte superior trasera de la secadora. Instale un protector de tensión listado por UL en el orificio de pase del cable eléctrico; luego pase el cable eléctrico fabricado en el Paso 1 por el protector de tensión.



- 3 Transfiera el alambre de conexión a tierra de la secadora detrás del tornillo de conexión a tierra de color verde al tornillo central del bloque terminal. Conecte los dos conductores calientes del cable eléctrico a los tornillos del bloque terminal exterior. Conecte el cable neutro

de color blanco al tornillo del bloque terminal central. Conecte el alambre de conexión a tierra del cable eléctrico al tornillo de conexión a tierra de color verde. AJUSTE BIEN TODOS LOS TORNILLOS. Reinstale la cubierta de acceso del bloque terminal.

# INSTRUCCIONES PARA LA INSTALACIÓN

## CÓMO CONECTAR LAS SECADORAS ELÉCTRICAS (cont.)

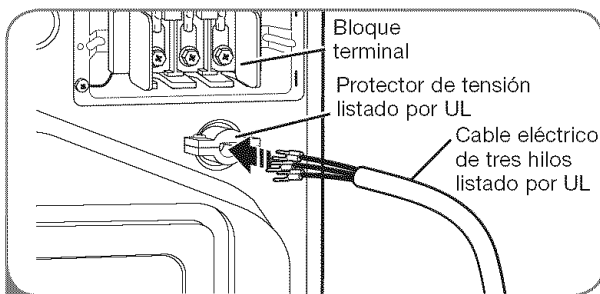
### **⚠️ ADVERTENCIA:**

- Conecte el cable de suministro de corriente al bloque terminal. Cada cable se debe conectar al tornillo del mismo color. El color del cable que figura en el manual se conecta al tornillo del mismo color en el bloque. De otro modo se podrá producir un flujo de corriente corto o excesivo.
- Contacto por conductor neutro esta prohibido por: (1) nuevas instalaciones de branch-circuito, (2) las casas móviles, (3) vehiculos recreacionales, y (4) areas donde los codigos prohíbe una conexión a tierra por el conductor neutro.

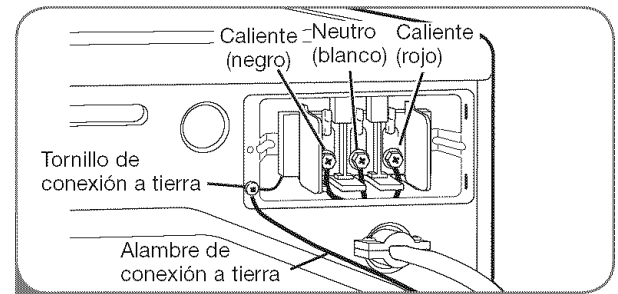


### *Conexión de tres hilos para secadoras eléctricas: Cable eléctrico con enchufe*

- NO se permite una conexión de 3 hilos en construcciones nuevas después del 1 de enero de 1996.
- Se requiere un protector de tensión listado por UL.
- Instale un cable eléctrico de 30 amp, 240 V, listado por UL con un conductor de cobre Núm. 10 AWG como mínimo y terminales de bucle cerrado o de horquilla con extremos doblados hacia arriba.



- 1** Quite la cubierta de acceso al bloque terminal localizado en la parte superior trasera de la secadora. Instale un protector de tensión listado por UL en el orificio de pase del cable eléctrico; luego pase un cable eléctrico conductor de cobre Núm. 10 AWG de por lo menos 3 hilos, 30 A , 240 V, listado por UL por el protector de tensión.



- 2** Conecte los dos conductores calientes del cable eléctrico a los tornillos del bloque terminal exterior. Conecte el cable neutro al tornillo del bloque terminal central. Conecte la conexión a tierra exterior (de ser requerido por los códigos locales) al tornillo de color verde. AJUSTE BIEN TODOS LOS TORNILLOS. Reinstale la cubierta de acceso del bloque terminal.

# INSTRUCCIONES PARA LA INSTALACIÓN

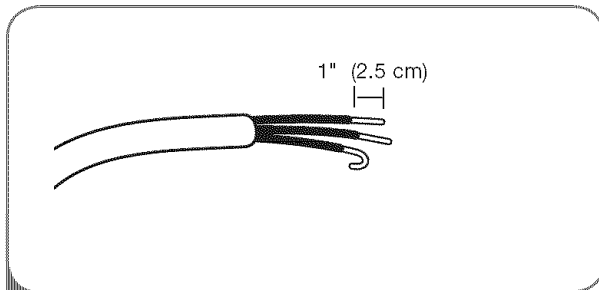
## CÓMO CONECTAR LAS SECADORAS ELÉCTRICAS (cont.)

### ⚠️ ADVERTENCIA:

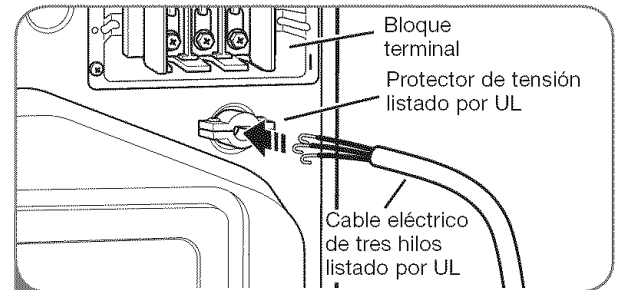
- Conecte el cable de suministro de corriente al bloque terminal. Cada cable se debe conectar al tornillo del mismo color. El color del cable que figura en el manual se conecta al tornillo del mismo color en el bloque. De otro modo se podrá producir un flujo de corriente corto o excesivo.
- Contacto por conductor neutro esta prohibido por: (1) nuevas instalaciones de branch-circuito, (2) las casas mobiles, (3) vehiculos recreacionales, y (4) areas donde los codigos prohíbe una conexión a tierra por el conductor neutro.

### Conexión de tres hilos para secadoras eléctricas: Conexión directa

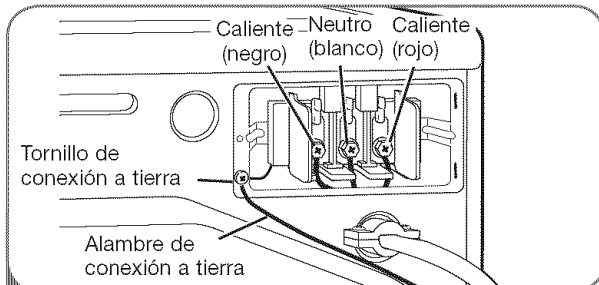
- NO se permite una conexión de 3 hilos en construcciones nuevas después del 1 de enero de 1996.
- Se requiere un protector de tensión listado por UL.
- Instale un cable eléctrico listado por UL con 4 conductores de cobre Núm.-10 AWG como mínimo.
- Prepare un mínimo de 5 pies (1.5 m) de longitud para poder quitar y reemplazar la secadora.



- 1 Despegue 3½ pulg. (8.9 cm) de la cubierta del cable del final. Despuega 1 pulg. (2.5 cm) del aislamiento de los tres alambres. Haga los finales del 3 cables en forma de gancho.



- 2 Quite la cubierta de acceso al bloque terminal localizado en la parte superior trasera de la secadora. Instale un protector de tensión listado por UL en el orificio de pase del cable eléctrico; luego pase el cable eléctrico fabricado en el Paso 1 por el protector de tensión.



- 3 Conecte los dos conductores calientes del cable eléctrico a los tornillos del bloque terminal exterior. Conecte el cable neutro al tornillo del bloque terminal central. Conecte la conexión a tierra exterior (de ser requerido por los códigos locales) al tornillo de color verde. AJUSTE BIEN TODOS LOS TORNILLOS. Reinstale la cubierta de acceso del bloque terminal.

# INSTRUCCIONES PARA LA INSTALACIÓN

## REQUISITOS ESPECIALES PARA VIVIENDAS MÓVILES O PREFABRICADAS

Cualquier instalación en una vivienda móvil o prefabricada debe realizarse de conformidad con los Estándares de seguridad y construcción de viviendas prefabricadas, Título 24 CFR, Parte 32-80 o estándar CAN/CSA0Z240 MH y con los códigos y regulaciones locales. Si no está seguro de si la instalación que ha propuesto cumple con estos estándares, llame a un técnico de mantenimiento e instalación para obtener ayuda.

- Una secadora de gas debería fijarse permanentemente sobre el piso.
- La conexión eléctrica de una secadora eléctrica debe ser una conexión de 4 hilos. Se provee información más detallada pertinente a la conexión eléctrica en la sección *Cómo conectar las secadoras eléctricas*.
- Para reducir el riesgo de combustión e incendio, se debe ventilar la secadora hacia el exterior.
- NO ventile la secadora debajo de una vivienda móvil o prefabricada.
- Las secadoras eléctricas deben ventilarse hacia el exterior usando el panel trasero, izquierdo, derecho o inferior.
- Las secadoras a gas deben ventilarse al exterior usando el panel trasero, izquierdo o inferior. Las secadoras a gas no deben ventilarse hacia el exterior usando el panel derecho debido a la carcasa del quemador.

- El conducto de escape de la secadora debe estar bien fijado a la estructura de la vivienda móvil o prefabricada, y el conducto de escape debe estar fabricado de un material resistente al fuego y la combustión. Se recomienda el uso de un conducto de metal rígido o flexible.
- NO conecte el conducto de escape de la secadora a ningún otro conducto, respiradero, chimenea ni a ningún otro tipo de conducto de escape.
- Asegúrese de que la secadora disponga de acceso adecuado al aire fresco del exterior para garantizar un funcionamiento adecuado. La abertura para la toma de aire fresco exterior debe ser de por lo menos 25 pulgadas<sup>2</sup> (163 cm<sup>2</sup>).
- Es importante que el espacio libre del conducto con respecto a cualquier material combustible de construcción sea de por lo menos 2 pulgadas (5 cm) y que, cuando se ventile la secadora al exterior, se pueda instalar la secadora dejando un espacio libre de 1 pulgada (2,5 cm) a los lados y la parte trasera de la secadora.
- Tenga en cuenta que los materiales de ventilación no se proveen con la secadora. Debe obtener los materiales de ventilación necesarios para una instalación adecuada.

## REVISIÓN DE INSTALACIÓN FINAL

Una vez que haya completado la instalación de la secadora y la misma se encuentre en su ubicación final, confirme que funcione correctamente realizando las siguientes pruebas.

### *Comprobación del calentamiento de la secadora*

#### MODELOS A GAS

Cierre la puerta de la secadora, apriete el interruptor ON/OFF para encender la secadora, e iniciar la secadora en un ajuste de calor. Cuando inicia la secadora, el encendedor deberá encender el quemador principal.

**NOTA:** Si no se purga todo el aire de la línea de gas, el encendedor de gas podría apagarse antes de que se encienda el quemador. Si esto sucede, el encendedor volverá a intentar encender el gas después de aproximadamente dos minutos.

#### MODELOS ELÉCTRICOS

Cierre la puerta de la secadora, apriete el interruptor ON/OFF para encender la secadora, e iniciar la secadora en un ajuste de calor. El escape de aire deberá estar caliente después de que la secadora haya funcionado durante 3 minutos.

# INSTRUCCIONES PARA LA INSTALACIÓN

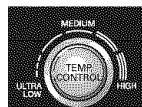
## EVALUACIÓN DEL ESTADO DEL CONDUCTO

La secadora incluye FlowSense™, un sistema de sensor innovador que detecta en forma automática bloqueos y restricciones en la tubería de su secadora. Mantener la tubería sin acumulación de pelusa y libre de restricciones hace posible que la ropa se seque más rápido, reduce el uso de corriente y ayuda a prevenir incendios.

Al instalar la secadora por primera vez, se **debe** realizar la evaluación del estado del conducto. Esto lo alerta sobre cualquier problema existente antes de que la secadora sea usada. Además la secadora guarda esta información para realizar comparaciones y mediciones sobre cambios futuros.

**Para activar el ciclo de evaluación del estado del conducto:**

- 1 Presione y sostenga los botones DAMP DRY BEEP y TEMP CONTROL al mismo tiempo. Al sostener estos botones, presione el botón ENCENDIDO/APAGADO.



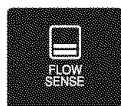
- 2 La secadora le mostrará InS en la pantalla numérica para indicar que se encuentra en el modo de evaluación del estado del conducto.
- 3 Presione START/PAUSE. La



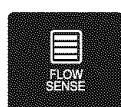
secadora evaluará durante aproximadamente 2 minutos.



Si no aparecen barras en la pantalla, significa que la tubería está libre de bloqueos o restricciones.

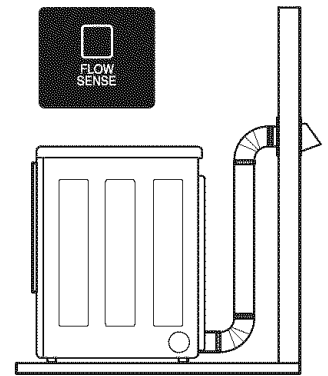
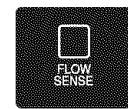


Cuantas más barras aparezcan, mayor será el bloqueo.

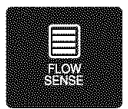


Si todas las barras están encendidas, la tubería de la secadora posee un bloqueo que deberá ser eliminado de inmediato.

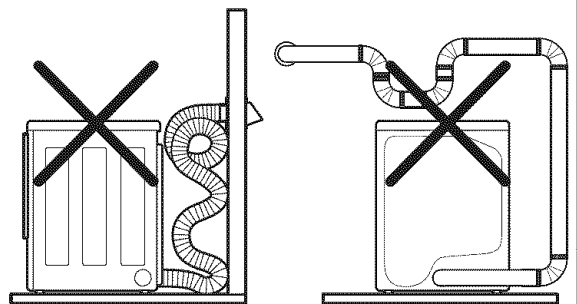
### Ventilación Correcta



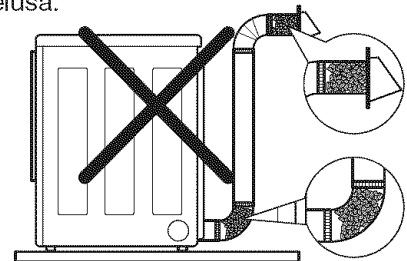
### Flujo de Aire Restringido o Bloqueado



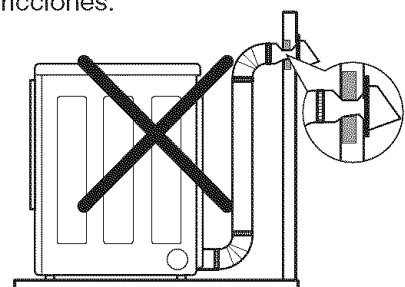
Evite funcionamientos prolongados o funcionamientos con múltiples formaciones de torceduras o codos.



Controle los bloqueos y la acumulación de pelusa.



Asegúrese que la tubería no posea cortes ni restricciones.



## CLASIFICACIÓN DE CARGAS

### Etiquetas de mantenimiento de las telas

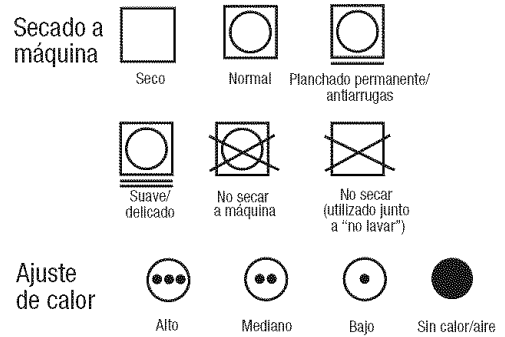
La mayoría de las prendas de vestir tienen etiquetas de mantenimiento de las telas para lograr un mantenimiento adecuado.

### Agrupamiento de prendas similares

Para obtener los mejores resultados, clasifique las prendas en cargas que puedan secarse con el mismo ciclo de secado.

Los diferentes tipos de telas tienen diferentes requisitos de cuidado, y algunas telas se secarán más rápido que otras.

### Etiquetas de cuidado de las telas



## CARGA DE LA SECADORA

### ⚠️ ADVERTENCIA

Revise todos los bolsillos para asegurarse de que estén vacíos. Los artículos como clips, fósforos, plumas, monedas y llaves pueden dañar su secadora o sus prendas. Los objetos inflamables tales como encendedores o fósforos podrían encenderse y provocar un incendio. Si no se cumple con esto se podrá producir una explosión, incendio o muerte.

Nunca seque prendas que hayan sido expuestas a aceite, gasolina u otras sustancias inflamables. Lavar las prendas no eliminará completamente los residuos de aceite. Si no se cumple con esto se podrá producir una explosión, incendio o muerte.

- Combine prendas grandes y pequeñas en una carga.
- Las prendas húmedas se extenderán mientras se secan. No sobrecargue la secadora; las prendas necesitan de espacio para girar y secar adecuadamente.
- Cierre las cremalleras, ganchos y cordones para prevenir que estos artículos se enganchen o enreden en otras prendas.

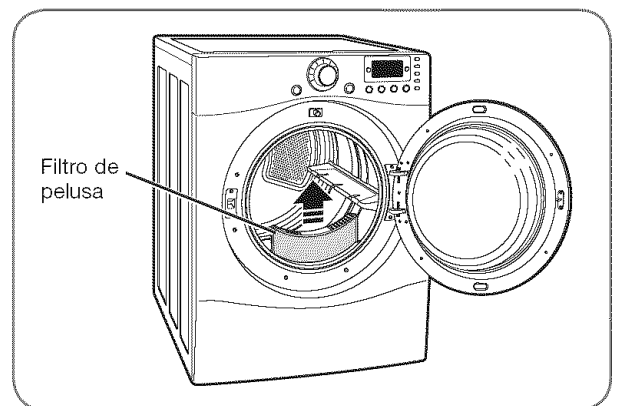
## REVISE EL FILTRO DE PELUSA ANTES DE CADA USO

El Indicador del CHECK FILTER (control del filtro) se encenderá antes de cada carga, recordándole que se debe asegurar que el filtro de pelusa esté limpio antes de comenzar una nueva carga.

También se encenderá durante una carga si el filtro de pelusa está obstruido a fin de indicarle que el mismo se debe limpiar; un filtro de pelusa bloqueado incrementará los tiempos de secado.

Para limpiarlo, tire del filtro de pelusa verticalmente y, con los dedos, enrolle cualquier pelusa para retirarla del filtro. No enjuague ni lave el filtro para eliminar la pelusa. Empuje el filtro de pelusa firmemente en su lugar. Para información adicional, vea la sección "Cuidado y Limpieza".

Asegúrese siempre de que el filtro de pelusa esté instalado adecuadamente antes de poner en funcionamiento la secadora. Hacer funcionar

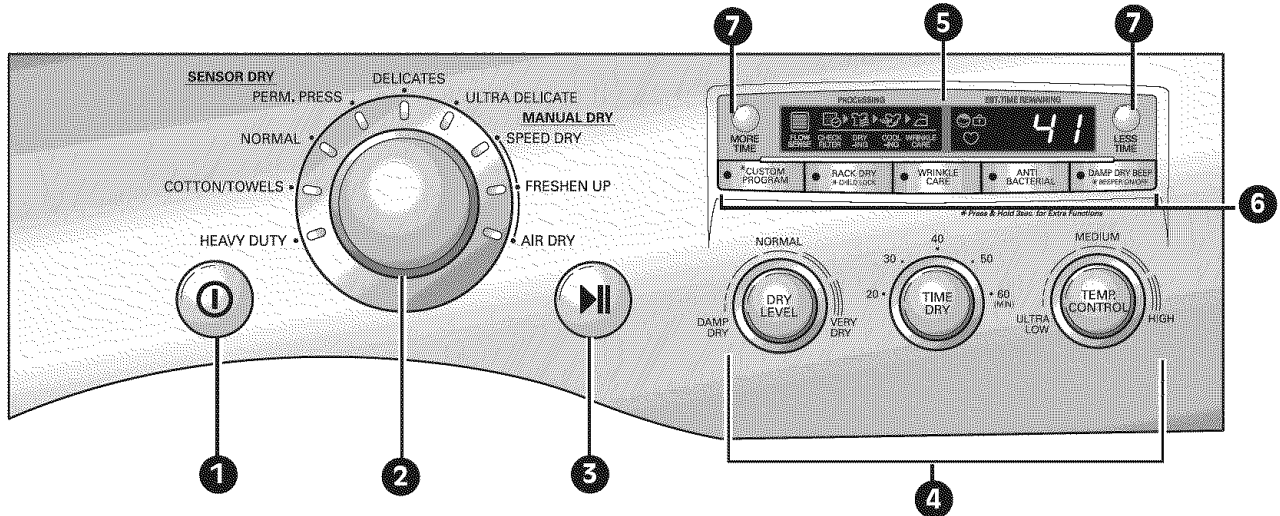


la secadora sin o con un filtro de pelusa suelto podría dañar la secadora y los artículos en el interior de la misma.

# CÓMO USAR

## CARACTERÍSTICAS DEL PANEL DE CONTROL

A continuación encontrará instrucciones para comenzar a usar su secadora nueva. Para más información por favor consulte las secciones específicas de este manual. **Advertencia importante: Para reducir el riesgo de incendios, descargas eléctricas o heridas, lea este manual en su totalidad, incluyendo las Instrucciones Importantes de Seguridad, antes de operar la secadora.**



### 1 BOTÓN DE ENCENDIDO/APAGADO (ON/OFF)

Apriete el botón para encender la secadora. Apriete nuevamente para apagar la secadora.

**NOTA:** Aprender el botón de ENCENDIDO/APAGADO durante un ciclo cancelará ese ciclo y borrará cualquier ajuste de carga.

### 2 PERILLA SELECTORA DE CICLOS

Gire esta perilla para seleccionar el ciclo deseado. Una vez que se haya seleccionado el ciclo deseado, los preajustes estándar se mostrarán en la pantalla. En los ciclos de secado manual (MANUAL DRY) se pueden programar estos ajustes usando los botones de ajuste de ciclos en cualquier momento antes de iniciar el ciclo.

### 3 BOTÓN DE INICIO/PAUSA (START/PAUSE)

Apriete este botón para iniciar el ciclo seleccionado. Si la secadora está funcionando, utilice este botón para hacer una PAUSA en el ciclo, sin perder los ajustes actuales.

**NOTA:** Si no aprieta el botón INICIO/PAUSA para detener un ciclo en 8 minutos, la secadora se apagará automáticamente.

### 4 BOTONES DE AJUSTE DE CICLOS

Utilice estos botones para seleccionar los ajustes de ciclo deseados para el ciclo seleccionado.

### 5 LA PANTALLA DE HORA Y ESTADO

La pantalla de hora y estado muestra el progreso del ciclo y el tiempo restante estimado, opciones de ciclos y otros mensajes del estado actual de su secadora.

### 6 BOTONES DE OPCIONES

Los botones de opciones le permiten seleccionar opciones de ciclo adicionales. Determinados botones también le permitirán activar funciones especiales al apretar y mantener apretado el botón durante 3 segundos.

Para obtener información detallada sobre las opciones individuales, consulte las siguientes páginas.

### 7 BOTONES DE MÁS TIEMPO/MENOS TIEMPO (MORE TIME/LESS TIME)

Use estos botones con los ciclos de secado manual (MANUAL DRY) y de secado cronometrado (TIME DRY) para programar el tiempo de secado. Apriete el botón MORE TIME para aumentar el tiempo del ciclo manual seleccionado en intervalos de un minuto; apriete LESS TIME para disminuir el tiempo del ciclo en intervalos de un minuto.

## GUÍA DE CICLOS

La guía de ciclos indicada más abajo muestra las opciones y tipos de telas recomendadas para cada ciclo.

Tipo	Ciclo	Tipo de tela	Nivel de secado	Temperatura	Tiempo en min.	Más tiempo/ Menos tiempo	Secado en estante	Cuidado antiarrugas	Anti-bacteriano	Secado húmedo
SECADO CON SENSOR	Pesado	Vaquera, artículos pesados	Normal	Alta	54			●	●	●
			Ajustable							
	Algodón/ Toallas	Vaquera, toallas, algodones pesados	Normal	Media alta	55			●	●	●
			Ajustable							
	Normal	Ropa de trabajo, pana, etc.	Normal	Media	41			●	●	●
			Ajustable							
Planchado permanente	Planchado permanente, prendas de tela sintética	Normal	Alta	36			●	●		●
		Ajustable								
Delicado	Lencería, sábanas, blusas	Normal	Baja	32			●	●		●
		Ajustable								
Ultra delicado	Lencería, sábanas, blusas	Normal	Ultra baja	34			●	●		●
		Ajustable								
SECADO MANUAL	Secado veloz	Para cargas pequeñas con tiempos cortos de secado	Apagado	Alta	25	●	●	●		
				Ajustable	Ajustable					
	Refrescado	Para quitar arrugas menores de la ropa	Apagado	Alta	20	●	●	●		
				Ajustable	Ajustable					
	Secado con aire	Para artículos que requieren secado sin calor tales como plásticos o cauchos	Apagado	Sin calor	30	●	●	●		
					Ajustable					
	Secado cronometrado	Para secado general; se pueden programar manualmente las operaciones de tiempo y temperatura	Apagado	Alta	40	●	●	●		
				Ajustable	Ajustable					

### Ciclos de secado con sensor (sensor dry)

Los ciclos de secado por sensor utilizan el sistema exclusivo de sensor doble de LG para detectar y comparar el nivel de humedad en las prendas y en el aire, y programar el tiempo de secado del modo necesario para asegurar resultados superiores. La secadora ajusta automáticamente el nivel de sequedad y temperatura del ajuste recomendado para cada ciclo. El tiempo restante estimado se mostrará en la pantalla.

### Ciclos de secado manual (manual dry)

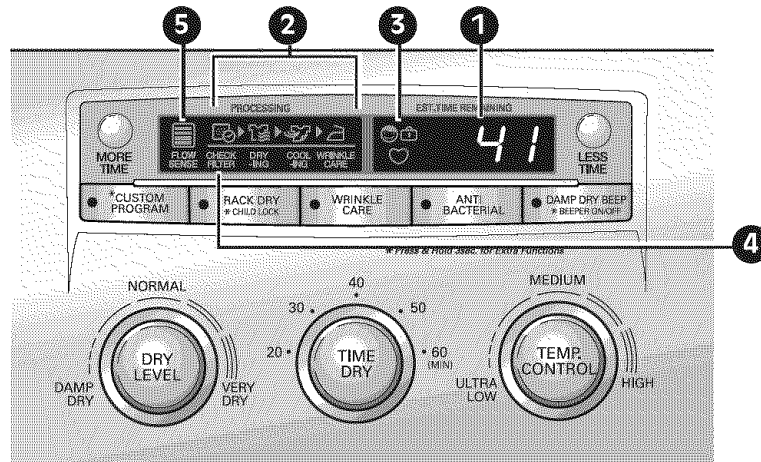
Use los ciclos de secado manual para seleccionar una cantidad específica de tiempo y temperatura de secado. Cuando se selecciona el ciclo de secado manual, la pantalla de tiempo restante estimado (ESTIMATED TIME REMAINING) muestra el tiempo restante real en su ciclo. Puede cambiar el tiempo real en el ciclo apretando MORE TIME (más tiempo) o LESS TIME (menos tiempo).

**NOTA:** Para proteger sus prendas, no todos los niveles, temperatura u opciones están disponible con cada ciclo.

# CÓMO USAR

## LA PANTALLA DE HORA Y ESTADO

La pantalla muestra los ajustes, el tiempo restante estimado, las opciones y los mensajes de estado correspondientes a su secadora.



### 1 TIEMPO RESTANTE ESTIMADO (ESTIMATED TIME REMAINING)

Cuando se apriete el botón inicio/pausa (START/PAUSE), la secadora mostrará el secado con sensor (SENSOR DRY) estimado o el tiempo programado de secado cronometrado (TIME DRY) restante, y comenzará a girar.

### 2 INDICADOR DE FINALIZACIÓN DE CICLO CON RECORDATORIO DE CONTROL DE FILTRO

Esta opción de la pantalla muestra qué etapa del ciclo de secado se está llevando a cabo: CHECK FILTER (control del filtro), DRYING (secado), COOLING (enfriamiento), o WRINKLE CARE (cuidado antiarrugas).

### 3 INDICADOR DE SEGURO INFANTIL (CHILD LOCK)

Cuando se ha fijado el seguro infantil, aparecerá el indicador de seguro infantil y se desactivarán todos los botones excepto el botón de encendido/apagado (ON/OFF). Esto previene que los niños cambien los ajustes mientras la secadora se encuentra en funcionamiento.

### 4 INDICADOR DEL FILTRO DE PELUSA

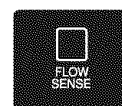


La secadora detecta en forma automática la reducción del flujo de aire producida por un filtro de pelusa completo. El indicador de CHECK FILTER (control del filtro) se encenderá, permitiéndole saber que el filtro se debe limpiar de inmediato para una máxima eficiencia.

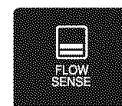
Siempre limpie el filtro de pelusa antes de cada ciclo.

### 5 INDICADOR DEL SISTEMA DE SENSOR DE BLOQUEO DE CONDUCTO FLOW SENSE™

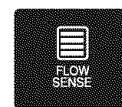
El sistema de sensor de bloqueo de conducto/filtro FlowSense™ detecta y lo alerta sobre bloqueos en el filtro y la tubería, lo cual reduce el flujo de combustión de la secadora. Esto no sólo ayuda a prevenir incendios y salvar vidas, sino que puede mejorar el funcionamiento y ayudar a minimizar el número de llamadas al servicio técnico, ahorrándole dinero.



Si no aparecen barras en la pantalla, significa que la tubería está libre de bloqueos.



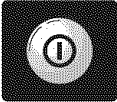
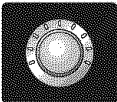
Cuantas más barras aparezcan, mayor será el bloqueo.



Si todas las barras están encendidas, la tubería de la secadora posee un bloqueo que deberá ser eliminado de inmediato.

## FUNCIONAMIENTO LA SECADORA

Una vez que ha cargado la secadora:

- 1** Apriete el botón encendido/apagado (ON/OFF) para encender la secadora. Las luces alrededor de la perilla selectora de ciclos se iluminarán.  

- 2** Gire la perilla selectora al ciclo deseado. La pantalla mostrará los ajustes preseleccionados de nivel de secado (DRY LEVEL), Temperatura (TEMPERATURE), Tiempo (TIME), y Opción (OPTION) para ese ciclo.  

- 3** Si desea modificar los ajustes para ese ciclo, ya sea sobre el nivel de secado o la temperatura, presione el botón(es) de ajustes de ciclo adecuado hasta que la luz indicadora para el ajuste adecuado se encienda.

**NOTA:** Para proteger sus prendas, no todos los niveles de secado, temperatura u opción están disponibles en todos los ciclos.

- 4** Seleccione cualquier opción de ciclo adicional, tal como cuidado de arrugas (WRINKLE CARE), antibacterial, o pitido de secado húmedo bip (DAMP DRY BEEP), presione el botón para esa opción. La luz indicadora en el botón se encienda. Para deselectione esa opción, presione nuevamente el botón.



**NOTA:** Para proteger sus prendas, no todos los niveles de secado, temperatura u opción están disponibles en todos los ciclos.

- 5** Apriete el botón de inicio/pausa (START/PAUSE) para iniciar el ciclo. La pantalla cambiará, y la secadora mostrará el secado con sensor (SENSOR DRY) estimado o el tiempo programado de secado manual (MANUAL DRY) restante e iniciará el giro. Para detener el ciclo en cualquier momento, abra la puerta de la secadora o apriete pausa (PAUSE). Para continuar con el ciclo, desde el punto en que se detuvo, apriete START/PAUSE nuevamente.

**NOTA:** Si se ha detenido la secadora por más de 8 minutos, la secadora se apagará automáticamente.

- 6** Cuando se ha terminado la carga, sonará la alarma (de haberse programado). Si ha programado la opción de cuidado de arrugas (WRINKLE CARE), la secadora girará la carga de manera periódica por un plazo de hasta 3 horas.

Para prevenir las arrugas, retire los artículos de la secadora inmediatamente después del término de un ciclo.

- 7** Limpie siempre el filtro de pelusa después de cada ciclo.

Para limpiarlo, tire del filtro de pelusa verticalmente y, con los dedos, enrolle cualquier pelusa para retirarla del filtro. No enjuague ni lave el filtro para eliminar la pelusa. Empuje el filtro de pelusa firmemente en su lugar.

# CÓMO USAR

## BOTONES DE AJUSTE DE CICLOS

Los ciclos de secado por sensor tienen ajustes preprogramados que se seleccionan automáticamente y no pueden cambiarse. Los ciclos de secado manual tienen ajustes predeterminados, pero pueden personalizarse usando los botones de ajustes de ciclos. Presione el botón para ese ajuste hasta que la luz indicadora del valor deseado se encienda.

### NIVEL DE SECADO (DRY LEVEL)

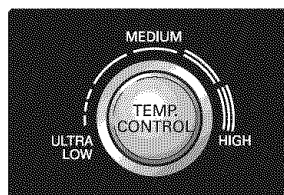


Selecciona el nivel de sequedad para el ciclo. Presione el botón nivel de secado (DRY LEVEL) hasta que la luz indicadora del ajuste deseado se encienda.

- Esta opción está disponible únicamente en los ciclos de secado con sensor (SENSOR DRY).
- La secadora ajustará el tiempo de ciclo automáticamente. Al seleccionar muy seco (VERY DRY) o más seco (MORE DRY) se incrementará el tiempo del ciclo, mientras que menos seco (LESS DRY) o húmedo seco (DAMP DRY) disminuirá el tiempo del ciclo.
- Use un ajuste menos seco (LESS DRY) o húmedo seco (DAMP DRY) en los artículos que desee planchar

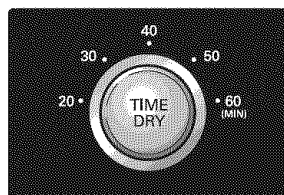
**NOTA:** Para proteger las prendas, no todos los niveles de secado, temperatura u opción están disponibles en todos los ciclos. Vea la Guía de ciclos para obtener más detalles.

### CONTROL DEL TEMPERATURA (TEMP. CONTROL)



Regula el ajuste de temperatura desde ultra bajo (ULTRA LOW) a calor alto (HIGH HEAT). Esto permite el cuidado preciso de sus telas y prendas. Presione

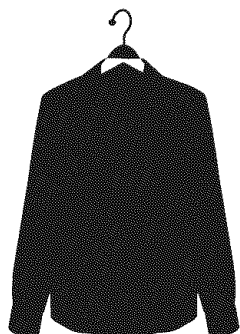
el botón control de temperatura (TEMP CONTROL) hasta que la luz indicadora del tiempo de secado deseado se encienda.



### TIEMPO DE SECADO (TIME DRY)

Le permite seleccionar el tiempo de secado manualmente, de 20 a 60 minutos, en incrementos de 10 minutos. Use esta opción

en cargas pequeñas o para eliminar arrugas. Presione el botón tiempo de secado (TIME DRY) hasta que la luz indicadora del ajuste deseado se encienda. Use los botones de mas tiempo/menos tiempo (MORE TIME/LESS TIME) para añadir o reducir el tiempo de secado en incrementos de 1 minuto.




## BOTONES DE OPCIÓN DE CICLO

Su secadora dispone de varias opciones de ciclo adicionales, las cuales personalizan los ciclos para satisfacer sus necesidades individuales. Ciertos botones de opción también incorporan una función especial (vea la siguiente página para obtener mayor información) que puede activarse apretando y manteniendo apretado ese botón de opción por 3 segundos.


### Para añadir opciones de ciclo al ciclo:

- 1 Encienda la secadora y gire la perilla selectora de ciclos para seleccionar el ciclo deseado.
- 2 Use los botones de programación de ciclo para fijar los ajustes para ese ciclo.
- 3 Apriete el(los) botón(es) de opción de ciclo para la opción que desea añadir. Aparecerá en la pantalla un mensaje de confirmación.
- 4 Apriete el botón inicio/pausa (START/PAUSE) para iniciar el ciclo. La secadora iniciará automáticamente.

### CUIDADO DE ARRUGAS (WRINKLE CARE)


 Al seleccionar esta opción, hará girar la carga periódicamente por un plazo de hasta 3 horas después del ciclo seleccionado, o hasta que se abra la puerta. Esto es de ayuda para prevenir la formación de arrugas cuando no le sea posible retirar las prendas de la secadora inmediatamente.

### ANTI BACTERIAL


 Esta opción añadirá un ajuste de calor alto para eliminar bacterias. Puede utilizarse con los ciclos de uso industrial (HEAVY DUTY), algodón/toallas (COTTON/TOWELS) y NORMAL.

**NOTA:** No use este ciclo con telas delicadas.

### BIP DE SECADO HÚMEDO (DAMP DRY BEEP)

 Con esta opción, la secadora hará sonar la alarma cuando la carga está 80% seca. Esta función le permite retirar el(los) artículo(s) liviano(s) que seca(n) rápidamente o que desea planchar o colgar mientras aún se encuentran húmedos.

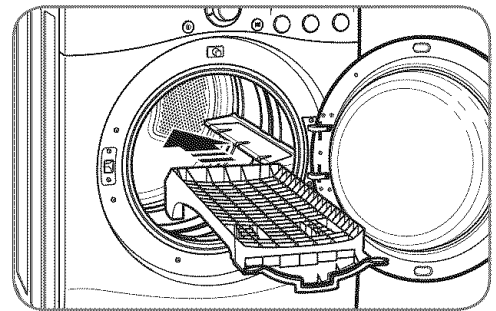
### ESTANTE DE SECADO (RACK DRY)

 Use el ciclo RACK DRY con artículos tales como suéteres de lana, sedas y lencería, que se deberían secar en posición horizontal. También se puede usar RACK DRY con artículos que no deben secarse girando, tales como calzado deportivo o animales de peluche.

**NOTA:** NUNCA use el este ciclo en combinación con un ciclo de secado giratorio.

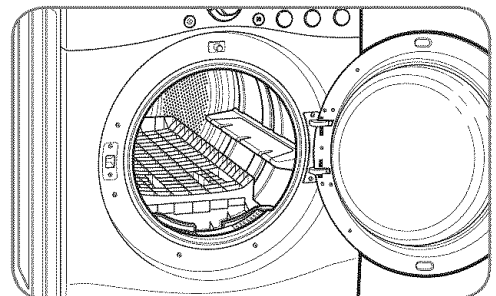
### Para instalar el estante de secado

- 1 Manteniendo abierta la puerta de la secadora, deslice el estante en el tambor de la secadora.



- 2 Asegúrese de que esté asentado uniformemente sobre el borde interior de la puerta y descance horizontalmente sobre el interior de la secadora.

**NOTA:** Asegúrese de quitar el estante de secado después de usar el ciclo RACK DRY.



# CÓMO USAR

## FUNCIONES ESPECIALES

Los botones de opciones también activan funciones especiales, incluyendo el seguro infantil (CHILD LOCK) y el pitido encendido/apagado (BEEP ON/OFF (LANGUAGE)). Apriete y mantenga apretado el botón de opción marcado con la función especial por 3 segundos para activar.

### \* SEGURO INFANTIL (CHILD LOCK)



Use esta función para prevenir el uso no deseado de la secadora o para que se cambien los ajustes de un ciclo mientras la secadora se encuentra en funcionamiento. Apriete y mantenga apretado el botón de estante de secado (RACK DRY) por 3 segundos para activar o desactivar el seguro infantil (CHILD LOCK).

Se mostrará seguro infantil (CHILD LOCK) en la pantalla, y todos los controles permanecerán desactivados a excepción del botón encendido/apagado (ON/OFF). Se puede bloquear a la secadora durante un ciclo.

### \* PITIDO ENCENDIDO/APAGADO (BEEPER ON/OFF)



Para apagar el pitido, presione y sostenga el botón pitido húmedo seco (DAMP DRY BEEP) for 3 seconds. por 3 segundos. Presione y sostenga nuevamente durante 3 segundos para volver a encender el pitido.

## PROGRAMA PERSONALIZADO



Si tiene una combinación especial de ajustes que usa con frecuencia, puede guardar estos ajustes a manera de programa personalizado (CUSTOM PROGRAM).

### \* Para guardar un programa personalizado:

- 1 Encienda la secadora y gire la perilla selectora de ciclos para seleccionar el ciclo deseado.
- 2 Use los botones de programación de ciclo para fijar los ajustes para ese ciclo.
- 3 Apriete el(los) botón(es) de opción de ciclo para la opción que desea añadir. Aparecerá en la pantalla un mensaje de confirmación.
- 4 Apriete y mantenga apretado el botón CUSTOM PROGRAM durante 3 segundos.

**NOTA:** Puede guardar solo un programa personalizado a la vez. Al apretar y mantener apretado el botón CUSTOM PROGRAM, reemplazará cualquier programa personalizado que haya guardado anteriormente.

### Para recuperar un programa personalizado

- 1 Encienda la secadora.
- 2 Apriete el botón CUSTOM PROGRAM.
- 3 Apriete el botón inicio/pausa (START/PAUSE) para iniciar el ciclo.

# MANTENIMIENTO Y LIMPIEZA

## LIMPIEZA REGULAR

**ADVERTENCIA** – Para reducir el riesgo de incendio, descargas eléctricas o heridas al usar su electrodoméstico, siga las precauciones básicas, incluyendo lo siguiente:

- **Desenchufe la secadora antes de limpiar la misma para evitar el riesgo de descargas eléctricas.** Si no se cumple con esta advertencia se podrán producir heridas graves, incendios, descargas eléctricas o muerte.
- **Al limpiar la secadora nunca utilice químicos de corte, limpiadores abrasivos o solventes.** Los mismos dañarán su aspecto.

### Limpeza del exterior

El mantenimiento adecuado de su secadora podría prolongar su vida útil. El exterior de la unidad puede limpiarse con agua tibia y un detergente de jabón medio, no abrasivo.

Limpe inmediatamente cualquier clase de fuga, con un trapo suave y húmedo.

**IMPORTANTE:** No use alcohol desnaturalizado, disolventes o productos similares.

Nunca use limpiadores abrasivos o de lana metálica; pueden dañar la superficie.

### Limpeza del interior

Limpe con un paño alrededor de la abertura y el sello de la puerta con un paño suave húmedo para prevenir la acumulación de pelusa y polvo que podrían dañar el sello de la puerta.

Limpe la ventanilla con un paño suave humedecido con agua caliente y un detergente suave no abrasivo para el hogar; luego seque con un paño.

Se puede limpiar el tambor de acero inoxidable con un limpiador de acero inoxidable convencional, usado según las especificaciones del fabricante.

Nunca use limpiadores abrasivos ni de lana metálica; pueden raspar o dañar la superficie.

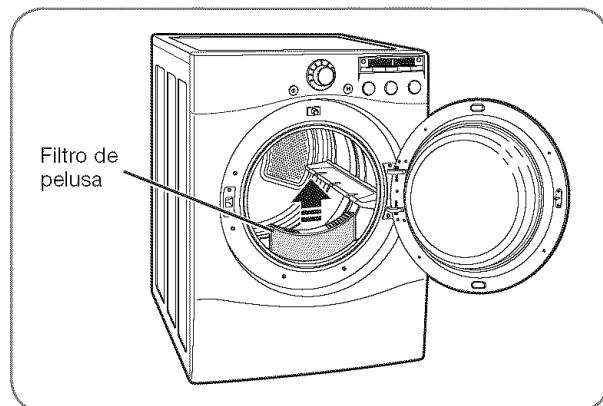
### Limpeza alrededor y debajo de la secadora

Aspire la pelusa y polvo alrededor de la secadora y debajo de ella con regularidad. Se debe revisar que el sistema de conductos de ventilación no tenga acumulación de pelusa y se debe limpiar una vez por año. Si se percibe una reducción del flujo de aire o desempeño del secado notorios, revise que el sistema de conductos no esté bloqueado ni tenga obstrucciones.

### Mantenimiento del sistema de conductos

Se debe revisar que el sistema de conductos de ventilación no tenga acumulación de pelusa y se debe limpiar una vez por año. Si se percibe una reducción del flujo de aire o desempeño del secado notorios, revise que el sistema de conductos no esté bloqueado ni tenga obstrucciones. Llame a un técnico o proveedor de mantenimiento calificados.

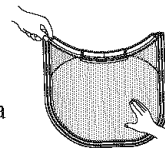
### Limpeza del filtro de pelusa



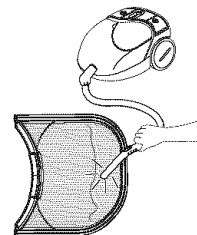
Limpe siempre el filtro de pelusa antes de cada ciclo o cuando el indicador CHECK FILTER se encenderá durante una carga.

Para limpiarlo, tire del filtro de pelusa verticalmente. Luego:

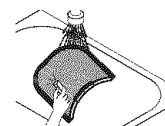
- 1 Con los dedos, enrolle cualquier pelusa para retirarla del filtro, o



- 2 Limpe el filtro de pelusa con un aspirador, o



- 3 Lave el filtro de pelusa en una solución de agua caliente y jabonosa y luego deje que se seque profundamente antes de reinstalar.



**NOTA:** NUNCA opere la secadora sin haber colocado antes el filtro de pelusa.



# RESOLUCIÓN DE PROBLEMAS


## ANTES DE LLAMAR A MANTENIMIENTO

Su secadora está equipada con un sistema de monitoreo de errores automático para la detección y el diagnóstico de problemas en una etapa temprana. Si su secadora no funciona adecuadamente o no funciona en lo absoluto, revise lo siguiente antes de llamar a mantenimiento.

Problema	Causas posibles	Soluciones
<b>La secadora no se enciende</b>	<ul style="list-style-type: none"> <li>El cable eléctrico no está enchufado adecuadamente.</li> <li>El fusible del hogar está quemado, el cortacircuitos se ha accionado, o ha ocurrido una interrupción eléctrica.</li> </ul>	<ul style="list-style-type: none"> <li>Asegúrese de que el enchufe esté conectado de manera segura en un tomacorriente con conexión a tierra, que se corresponda con la placa de clasificación.</li> <li>Reactive el disyuntor o cambie el fusible. No aumente la capacidad del fusible. Si el problema se debe a una sobrecarga de circuito, pida a un electricista calificado que solucione el problema.</li> </ul>
<b>La secadora no calienta</b>	<ul style="list-style-type: none"> <li>El fusible del hogar está quemado, el cortacircuitos se ha accionado, o ha ocurrido una interrupción eléctrica.</li> <li>Se ha apagado el suministro o servicio de gas (solo modelos a gas).</li> </ul>	<ul style="list-style-type: none"> <li>Reactive el disyuntor o cambie el fusible. No aumente la capacidad del fusible. Si el problema se debe a una sobrecarga de circuito, pida a un electricista calificado que solucione el problema.</li> <li>Confirme que la válvula de corte de gas de la vivienda y la válvula de corte de gas de la secadora estén completamente abiertas.</li> </ul>
<b>Manchas de grasa o suciedad en las prendas</b>	<ul style="list-style-type: none"> <li>Suavizador de telas usado incorrectamente.</li> <li>Prendas limpias y sucias secadas juntas.</li> <li>Prendas limpias y sucias secadas juntas.</li> </ul>	<ul style="list-style-type: none"> <li>Confirme y siga las instrucciones provistas con su suavizador de telas.</li> <li>Asegúrese de usar su secadora solo para secar artículos limpios, ya que los artículos sucios pueden ensuciar las prendas limpias en la misma carga o en las subsiguientes.</li> <li>Las manchas en ropas secas son en realidad manchas que no se eliminaron durante los procesos de lavado. Asegúrese de que las ropas queden completamente limpias de acuerdo con las instrucciones de su lavadora y detergente.</li> </ul>
<b>La pantalla muestra los errores tE1 o tE2</b>	<ul style="list-style-type: none"> <li>No está funcionando el calefactor.</li> </ul>	<ul style="list-style-type: none"> <li>Apague la secadora y llame a mantenimiento.</li> </ul>
<b>Pelusa en las prendas</b>	<ul style="list-style-type: none"> <li>No se ha limpiado correctamente el filtro de pelusa.</li> <li>Prendas de lavado no clasificadas adecuadamente.</li> <li>Exceso de estática en las prendas.</li> <li>La secadora está sobrecargada.</li> <li>Pañuelos de papel, papeles, etc. dejados en los bolsillos.</li> </ul>	<ul style="list-style-type: none"> <li>Asegúrese de limpiar el filtro de pelusa antes de cada carga. Con algunas cargas que producen altas cantidades de pelusa, puede ser necesario limpiar el filtro durante el ciclo.</li> <li>Algunas telas producen pelusas (por ejemplo: una toalla de algodón peluda blanca) y deben secarse aparte de las prendas que atrapan pelusa (por ejemplo: un par de pantalones de lino).</li> <li>Observe el <i>exceso de estática en las prendas después del secadora</i> indicado de la sección más abajo.</li> <li>Divida las cargas grandes en cargas más pequeñas para realizar el secado.</li> <li>Revise los bolsillos minuciosamente antes de lavar y secar prendas.</li> </ul>
<b>Exceso de estática en las prendas después del secado</b>	<ul style="list-style-type: none"> <li>No se usa suavizador de tela o se usa incorrectamente.</li> <li>Las prendas se secaron por demasiado tiempo (excesivamente secas).</li> <li>Secado de telas sintéticas, planchado permanente o combinación de materiales sintéticos.</li> </ul>	<ul style="list-style-type: none"> <li>Use un suavizador de telas para reducir la electricidad estática. Asegúrese de seguir las instrucciones del fabricante.</li> <li>Sobrecargar una carga de lavado puede causar la acumulación de electricidad estática. Programe los ajustes y use un tiempo de secado menos prolongado; o use los ciclos secado con sensor (SENSOR DRY).</li> <li>Estos materiales pueden causar acumulación de estática. Intente usar un suavizador de telas.</li> </ul>
<b>El tiempo de secado no es constante</b>	<ul style="list-style-type: none"> <li>Los ajustes de calor, el tamaño de la carga o la humedad de las prendas no son constantes.</li> </ul>	<ul style="list-style-type: none"> <li>El tiempo de secado para una carga variará dependiendo del ajuste de calor, tipo de calor utilizado (eléctrico, natural, o gas LP), el tamaño de la carga, el tipo de tela, el nivel de humedad de las prendas y la condición de los conductos de escape y el filtro de pelusa.</li> </ul>

# RESOLUCIÓN DE PROBLEMAS


## ANTES DE LLAMAR A MANTENIMIENTO (cont.)

Problema	Causas posibles	Soluciones
<b>Las prendas tardan demasiado tiempo en secarse</b>	<ul style="list-style-type: none"> <li>• La carga no está correctamente clasificada.</li> <li>• Carga grande de telas pesadas.</li> <li>• No se han programado adecuadamente los controles de la secadora.</li> <li>• Se necesita limpiar el filtro de pelusa.</li> <li>• Los conductos de escape están bloqueados, sucios o el tendido de los conductos es demasiado largo.</li> <li>• El fusible del hogar está quemado, el cortacircuitos se ha accionado, o ha ocurrido una interrupción eléctrica.</li> <li>• La secadora está sobrecargada.</li> <li>• Hay muy poca carga en la secadora.</li> </ul>	<ul style="list-style-type: none"> <li>• Separe los artículos pesados de los livianos. Los artículos más grandes y pesados requieren de mayor tiempo de secado.</li> <li>• Las telas pesadas requieren de mayor tiempo de secado ya que tienden a retener mayor humedad. Para ayudar a reducir y mantener tiempos de secado más constantes para telas pesadas y de mayor tamaño, separe estos artículos en cargas más pequeñas de un tamaño sistemático.</li> <li>• Use los ajustes de control adecuados para el tipo de carga que esté secando.</li> <li>• Asegúrese de limpiar el filtro de pelusa antes de cada carga. Con algunas cargas que producen altas cantidades de pelusa, puede ser necesario limpiar el filtro durante el ciclo.</li> <li>• Confirme que el sistema de conducto de escape se encuentre configurado correctamente y no tenga desechos, pelusa ni obstrucciones. Asegúrese de que los reguladores de tiro exteriores abran adecuadamente y no estén bloqueados, atascados ni dañados.</li> <li>• Reactive el disyuntor o cambie el fusible. No aumente la capacidad del fusible. Si el problema se debe a una sobrecarga de circuito, pida a un electricista calificado que solucione el problema.</li> <li>• Divida las cargas grandes en cargas más pequeñas para realizar el secado.</li> <li>• Si está secando una carga muy pequeña, añada algunos artículos adicionales para asegurar una acción de giro apropiada.</li> </ul>
<b>Las prendas están arrugadas</b>	<ul style="list-style-type: none"> <li>• Las prendas se secaron por demasiado tiempo (excesivamente secas).</li> <li>• Se han dejado las prendas en la secadora por demasiado tiempo una vez finalizado el ciclo.</li> </ul>	<ul style="list-style-type: none"> <li>• Secar excesivamente una carga de lavandería puede provocar arrugas en las prendas. Intente secar por un período menos prolongado y retire los artículos mientras aún retienen una cantidad leve de humedad.</li> <li>• Retire inmediatamente todos los artículos de la secadora al final del ciclo. Use la opción cuidado de arrugas (WRINKLE CARE) para continuar girando las prendas al final de un ciclo, por un plazo máximo de 3 horas.</li> </ul>
<b>Las prendas encogen</b>	<ul style="list-style-type: none"> <li>• No se siguen las instrucciones de la etiqueta de la prenda.</li> </ul>	<ul style="list-style-type: none"> <li>• Para evitar que las prendas encojan, siga cuidadosamente las instrucciones de cuidado de telas correspondiente a su prenda, ya que algunas telas encogen naturalmente cuando se lavan. Otras telas se pueden lavar, pero encogen cuando se secan en una secadora. Use un ajuste de calor bajo o sin calor y/o la opción estante de secado (RACK DRY).</li> </ul>
<b>La luz de CHECK FILTER está encendida durante el ciclo de secado</b>	<ul style="list-style-type: none"> <li>• El filtro de pelusa está casi atascado o lleno.</li> </ul>	<ul style="list-style-type: none"> <li>• Pause el ciclo de secado y limpie el filtro de pelusa.</li> </ul>
<b>2 barras aparecen en el indicador del FLOW SENSE</b> 	<ul style="list-style-type: none"> <li>• La tubería es un poco larga y posee muchos giros/restricciones.</li> <li>• Bloqueo parcial de la tubería por acumulación de pelusa.</li> </ul>	<ul style="list-style-type: none"> <li>• Instale un conducto más corto o más derecho. Lea las Instrucciones de Instalación.</li> <li>• La tubería se deberá controlar/limpiar lo antes posible. La secadora se puede usar en estas condiciones, pero es posible que los tiempos de secado sean más prolongados.</li> </ul>



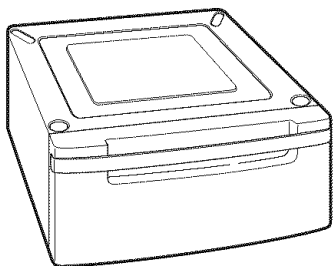
# ESPECIFICACIONES/ACCESORIOS OPCIONALES

## ANTES DE LLAMAR A MANTENIMIENTO (cont.)

Problema	Causas posibles	Soluciones
<p>4 barras aparecen en el indicador del FLOWSENSE</p> 	<ul style="list-style-type: none"> <li>• La tubería es demasiado larga o posee muchos giros/restricciones.</li> <li>• Bloqueo significativo de la tubería por acumulación de pelusa o escombros.</li> </ul>	<ul style="list-style-type: none"> <li>• Instale un conducto más corto o más derecho. Lea las Instrucciones de Instalación.</li> <li>• La tubería se deberá controlar/limpiar de inmediato para eliminar la pelusa acumulada y otros bloqueos. La secadora se puede usar, pero su funcionamiento y eficacia se verán reducidos de forma importante.</li> </ul>
<p>La tubería está limpia y adecuadamente instalada como se describe en las instrucciones de instalación, pero la pantalla del FLOWSENSE muestra 4 barras.</p>	<ul style="list-style-type: none"> <li>• La secadora se está usando por primera vez o luego de estar fuera de uso por un período prolongado.</li> </ul>	<ul style="list-style-type: none"> <li>• Esto es normal. Luego del primer ciclo, las barras desaparecerán de la pantalla del FLOWSENSE.</li> </ul>

## ACCESORIOS OPCIONALES

Para estos y otros productos LG, llame a su distribuidor LG local, o visite nuestro sitio Web en [us.lge.com](http://us.lge.com).



### Pedestal

Incrementa el desempeño de su lavadora LG con los pedestales de 35,5 centímetros (14 pulgadas) de alto correspondientes. Proveen un cajón de almacenamiento para brindar mayor comodidad.

Pedestal 14"	Color
WDP3W	Blanco
WDP3B	Negro
WDP3S	Titanio
WDP3N	Azul Marino
WDP3R	Rojo Cereza
WDP3G	Gris Perla



### Kit de apilado

Si no se dispone de espacio, utilice este kit para apilar de manera segura su lavadora de carga frontal y secadora LG.

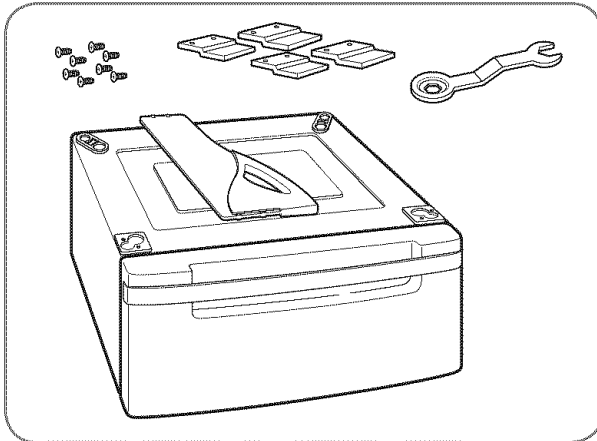
Kit de abrazadera	Color
WSTK1	Blanco
BSTK1	Negro
SSTK1	Titanio
NSTK1	Azul Marino
RSTK1	Rojo Cereza
GSTK1	Gris Perla

# ACCESORIOS OPCIONALES

## INSTALACIÓN DEL PEDESTAL

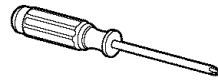
El accesorio de pedestal incluye:

- Base de pedestal
- Ocho (8) tornillos
- Un (1) divisor de cajón
- Llave
- Cuatro (4) abrazaderas



**Herramientas necesarias para la instalación:**

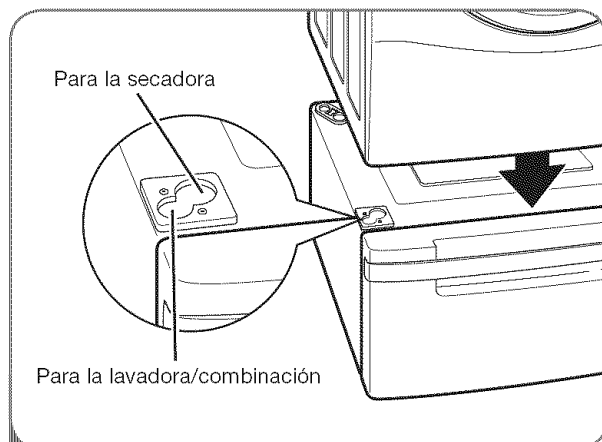
- Destornillador Phillips
- Llave (provista)



Para asegurar la instalación segura, siga cuidadosamente las siguientes instrucciones.

### ⚠ADVERTENCIA

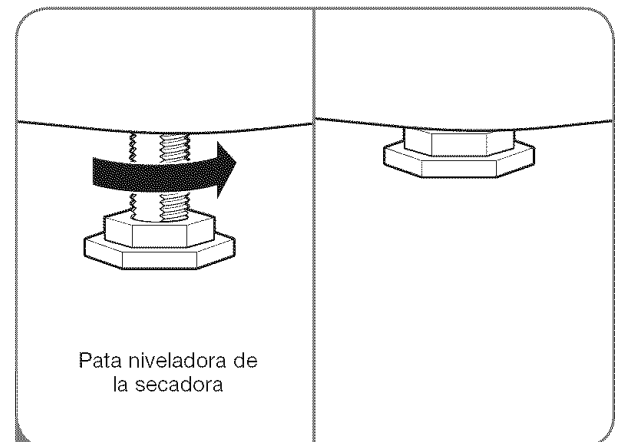
- **La instalación incorrecta puede causar accidentes graves.**
- **Los electrodomésticos son muy pesados. Se requiere de dos o más personas para instalar del pedestal.** Si esto no se cumple se podrán sufrir daños en la espalda u otras heridas.
- **No permita que los niños jueguen en el cajón.** Existe riesgo de asfixia y heridas.
- **Nunca se debe parar sobre la manija.** Si lo hace se podrán producir heridas graves.
- **Si los electrodomésticos ya se encuentran instalados, desconéctelos de cualquier fuente de alimentación, tuberías de gas o agua y de las conexiones de drenaje o ventilación.** Si no se cumple con esta advertencia se podrán producir incendios, explosión, descargas eléctricas o muerte.



- 1** Asegúrese de que las patas niveladoras del electrodoméstico están replegadas completamente (ver los detalles de nivelación de la lavadora en el Paso 2); luego coloque el electrodoméstico encima del pedestal.

Las patas de la lavadora coincidirán en las posiciones esquineras extremas y las de la secadora coincidirán con las posiciones extremas interiores como indicado.

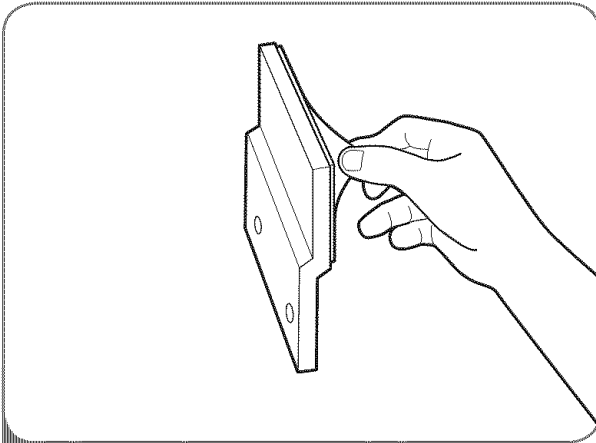
**NOTA:** El conjunto del electrodoméstico y el pedestal deben estar colocados en un piso sólido, resistente y nivelado para obtener el funcionamiento adecuado.



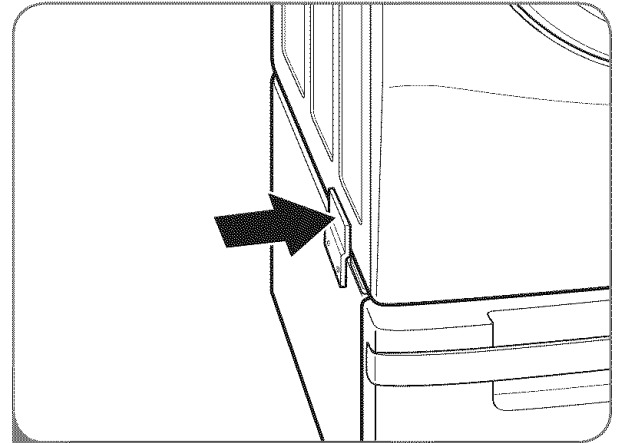
- 2** Una vez que las patas niveladoras de la lavadora estén completamente replegadas, ajustar todas las tuercas de manera segura.
- NOTA:** Las patas niveladores de la secadora no contienen tuercas.

# ACCESORIOS OPCIONALES

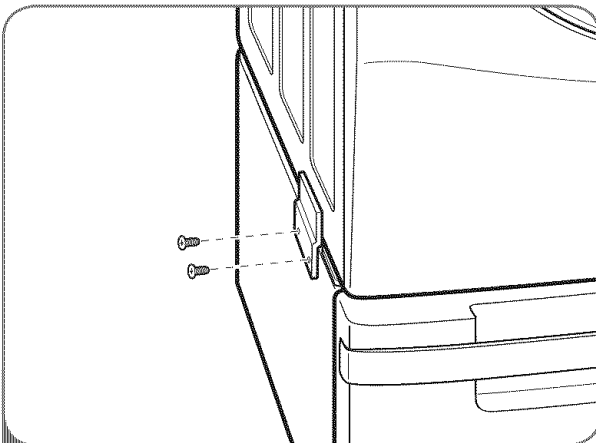
## INSTALACIÓN DEL PEDESTAL



3 Asegúrese de que la superficie lateral de la lavadora esté limpia y seca. Quite el papel de respaldo de la cinta en la abrazadera.



4 Coloque la abrazadera la manera indicada. La parte doblada de la abrazadera deberá reposar en todo el borde del pedestal, y los orificios en la parte inferior de la abrazadera deberán alinearse con los orificios en el pedestal.

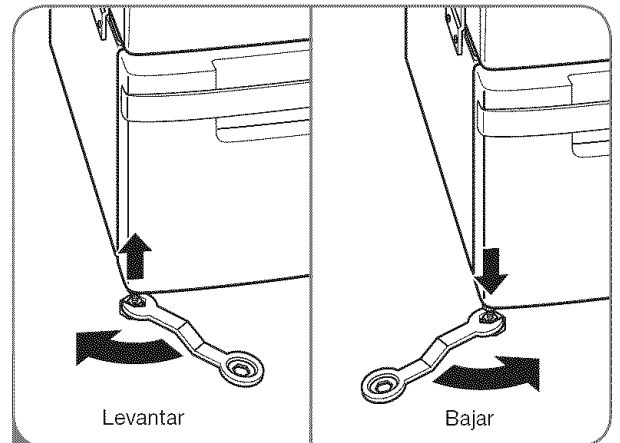


5 Instale los 2 tornillos para conectar firmemente la abrazadera al pedestal.

Una vez que se han conectado adecuadamente, apretar firmemente la parte superior de la abrazadera con la cinta de doble lado a un lado del electrodoméstico. Repita los pasos 2 al 4 para conectar las demás abrazaderas.

**NOTA:** Si las abrazaderas no están adecuadamente instaladas, podría ocurrir vibración y ruido. Asegúrese de quitar el respaldo de papel y utilizar todos los tornillos para instalar las abrazaderas.

Transporte el electrodoméstico al sitio deseado.



6 Afloje las tuercas en las 4 patas niveladoras del **pedestal** hasta que pueda girarlos con la llave. Gire en el sentido de las manecillas del reloj o al contrario para bajar. Una vez que el pedestal esté nivelado y todas las 4 patas estén apoyadas firmemente en el piso, asegure de manera segura las tuercas manualmente.

**NOTA:** Puede haber ruido y vibración si las tuercas no están aseguradas.

Asegúrese de conectar los electrodomésticos a todas las tuberías de agua o gas o a la línea de poder o conexiones de ventilación antes de poner en funcionamiento.

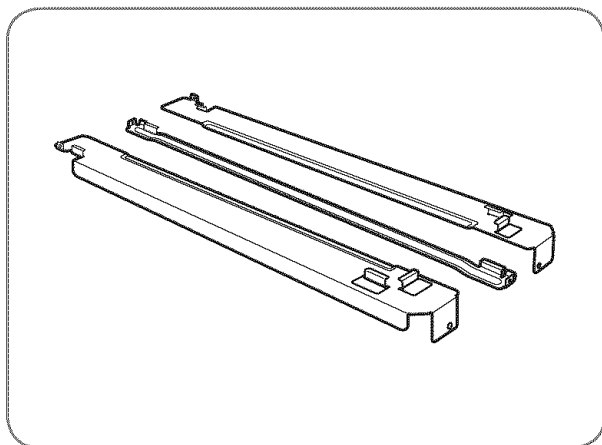
Si hay vibración excesiva durante el primer ciclo de funcionamiento después de la instalación, ajuste levemente las patas niveladoras.

# ACCESORIOS OPCIONALES

## INSTALACIÓN DEL KIT DE APILADO

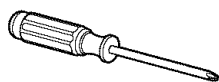
Este kit de apilado incluye:

- Dos (2) rieles laterales.
- Un (1) riel frontal.
- Cuatro (4) tornillos.



**Herramientas necesarias para la instalación:**

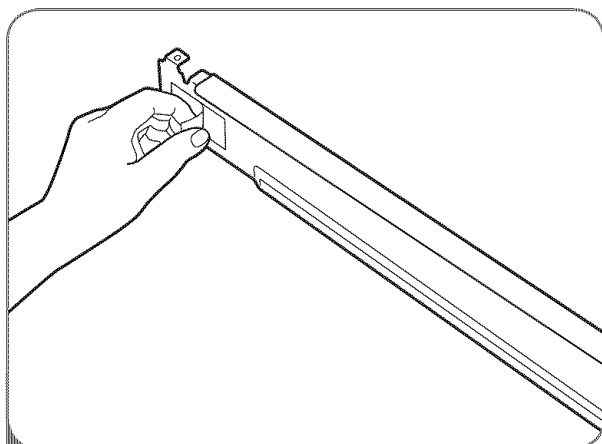
- Destornillador Phillips



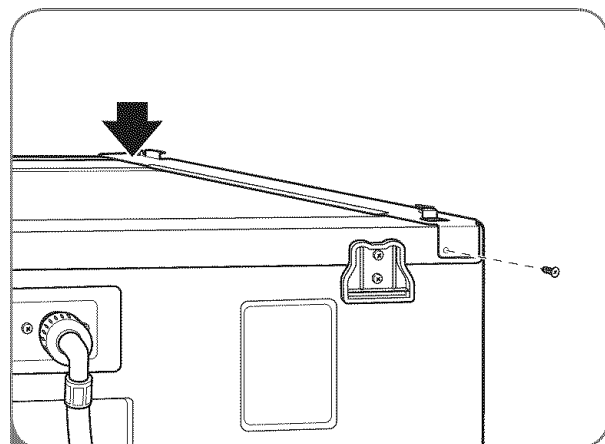
Para asegurar la instalación segura, siga las siguientes instrucciones.

### **ADVERTENCIA**

- **La instalación incorrecta puede causar accidentes graves.**
- **El peso de la secadora y la altura de la instalación hacen que el procedimiento de apilado sea demasiado riesgoso para que lo realice una sola persona.** Si esto no se cumple se podrán sufrir daños en la espalda u otras heridas.
- **No utilizar el kit de apilado con un secadora a gas en condiciones potencialmente inestables tales como una casa rodante.** Si lo hace se podrán producir heridas graves.
- **Nunca coloque una lavadora sobre la secadora.** Si no se cumple con esta advertencia se podrán producir heridas graves.
- **Coloque la lavadora sobre un piso sólido, estable y nivelado para soportar el peso de ambos electrodomésticos.** Si lo hace se podrán producir heridas graves.
- **Si los electrodomésticos ya se encuentran instalados, desconéctelos de cualquier fuente de alimentación, tuberías de gas o agua y de las conexiones de drenaje o ventilación.** Si no se cumple con esta advertencia se podrán producir incendios, explosión, descargas eléctricas o muerte.



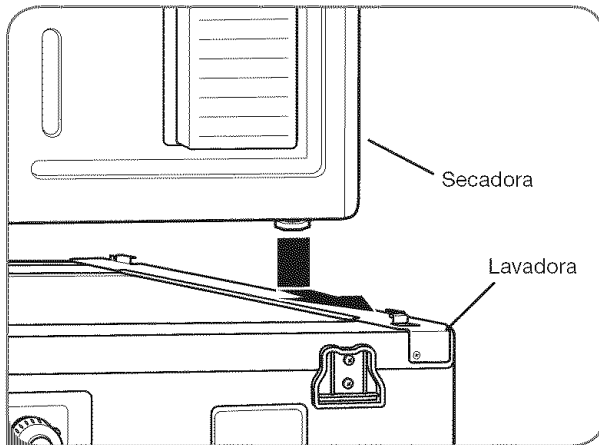
- 1** Asegúrese de que la superficie de la lavadora esté limpia y seca. Quite el papel de respaldo de la cinta ubicado en una de las abrazaderas laterales del kit de apilado.



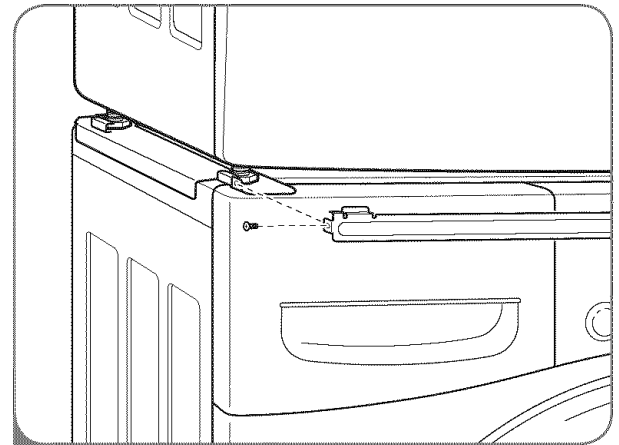
- 2** Haga coincidir la abrazadera lateral del lado de la parte superior de la lavadora como se indica en la ilustración anterior. Apriete firmemente el área adhesiva de la abrazadera a la superficie de la lavadora. Asegure la abrazadera lateral a la lavadora con un tornillo en su lado trasero. Repita los pasos 1 y 2 para conectar la abrazadera del otro lado.

# ACCESORIOS OPCIONALES

## INSTALACIÓN DEL KIT DE APILADO



**3** Coloque la secadora sobre la lavadora haciendo coincidir las patas en las abrazaderas laterales como se indica. Evite lesionarse los dedos; no deje que los dedos queden atrapados entre la lavadora y la secadora. Deslice despacio la secadora hacia la parte trasera de la lavadora hasta que los topes de la abrazadera lateral coincidan con las patas de la secadora.



**4** Insterte el riel frontal entre la parte inferior de la secadora y la parte superior de la lavadora. Empuje el riel frontal hacia la parte trasera de la lavadora hasta que entre en contacto con los topes del riel lateral. Instale los dos tornillos restantes para asegurar el riel frontal a los laterales.

## DIMENSIONES Y ESPECIFICACIONES CLAVE

El aspecto y las especificaciones enumeradas en esta guía podrían variar debido a mejoras constantes del producto.

Secadora TROMM™ Dryer Modelos DLE5955W, DLE5955G, DLG5966W, y DLG5966G	
<b>Descripción</b>	Secadora serie TROMM
<b>Requisitos eléctricos*</b>	Consulte la placa de clasificación para información en detalles.
<b>Requisitos de gas*</b>	NG: 10 a 13 pulgadas WC/LP: 10 a 13 pulgadas WC (Solo modelos a gas)
<b>Dimensiones</b>	27"(ancho) X 30"(profundidad) X 38 <sup>11</sup> / <sub>16</sub> "(alto), 50" (D con la puerta abierta) 68,6 cm (ancho) X 76,1 cm (profundidad) X 98,3 cm (alto), 129,1 cm (con la puerta abierta)
<b>Peso neto</b>	126 libra (57,2 kg)
<b>Capacidad de secado</b>	IEC 7,3 pies cúbicos (22,5 lb/10,1 kg)

\*Consulte la placa de clasificación colocada en su secadora.

**LG ELECTRONICS, INC.**  
**GARANTÍA LIMITADA DE LA SECADORA LG – EE. UU.**



Su secadora LG será reparada o reemplazada, a discreción de LG, si se comprueba que existe un defecto en el material o la mano de obra bajo condiciones de uso normales, durante el período de garantía (“Período de garantía”) establecido más abajo, vigente desde la fecha (“Fecha de compra”) de la compra del cliente original de producto. Esta garantía es válida únicamente para el comprador original del producto y cuando se usa en EE. UU., incluyendo Alaska, Hawaii, y los territorios de los EE. UU., exclusivamente.

<p><b>PERÍODO DE GARANTÍA:</b></p> <p><b>MANO DE OBRA:</b> Un año desde la Fecha de compra.</p> <p><b>PIEZAS:</b> Un año desde la Fecha de compra.</p> <p>Las unidades de reemplazo y piezas de reparación podrían ser nuevas o refabricadas.</p> <p>Las unidades de reemplazo o piezas de reparación están garantizadas por la porción restante del período de garantía de la unidad original.</p>	<p><b>CÓMO SE ADMINISTRA EL MANTENIMIENTO:</b></p> <p><b>Mantenimiento en el hogar “In-Home”:</b></p> <p>Guarde la factura fechada del distribuidor o la boleta de entrega como evidencia de la Fecha de compra como prueba para la garantía, y entregue una copia de la factura al técnico de mantenimiento al momento que se presta el mantenimiento.</p> <p><b>Llame al 1-800-243-0000 y escoja la opción adecuada para ubicar a su Centro de Mantenimiento Autorizado LG más cercano.</b></p> <p>O visite nuestro sitio Web en: <a href="http://www.lgservice.com">http://www.lgservice.com</a>.</p>
---	--

**ESTA GARANTÍA REEMPLAZA CUALQUIER OTRA, EXPRESA O IMPLÍCITA, INCLUYENDO SIN LIMITACIÓN, CUALQUIER GARANTÍA DE COMERCIALIZACIÓN O ADECUACIÓN PARA UN PROPÓSITO DETERMINADO. EN LA MEDIDA REQUERIDA POR LA LEY, CUALQUIER GARANTÍA IMPLÍCITA SE LIMITA EN SU VIGENCIA AL PERÍODO DE GARANTÍA EXPRESA INDICADO MÁS ARRIBA. NI EL FABRICANTE NI EL DISTRIBUIDOR DE LOS EE. UU. SERÁN RESPONSABLES POR DAÑOS INCIDENTALES, CONSECUENCIALES, INDIRECTOS, ESPECIALES O PUNITIVOS DE CUALQUIER NATURALEZA INCLUYENDO SIN LIMITACIÓN, PÉRDIDA DE GANACIAS O INGRESOS, O CUALQUIER OTRA CLASE DE DAÑOS, CONTRACTUALES, EXTRA CONTRACTUALES, O DE CUALQUIER TIPO.** Algunos estados no permiten la exclusión o limitación de daños incidentales o consecuenciales o limitación en la duración de una garantía implícita, de modo que la exclusión o limitación indicada anteriormente podría no aplicar en su caso. Esta garantía le brinda derechos legales específicos y podría también tener otros derechos que varían según el estado.

**ESTA GARANTÍA LIMITADA NO APLICA A:**

- Viajes de mantenimiento desde su hogar para entrega, recepción y/o instalación del producto, instrucción o reemplazo de fusibles del hogar o cableado adecuado o corrección de reparaciones no autorizadas.
- Los daños o problemas operativos que resulten de la negligencia en el uso, el abuso, el funcionamiento fuera de las especificaciones medioambientales o inconsistentes con los requisitos de precauciones establecidos en la Guía de funcionamiento, accidente, insectos, incendio, inundación, instalación inadecuada, casos de fuerza mayor, modificación o alteración no autorizada, corriente o voltaje incorrectos, o uso comercial, o uso diferente al indicado.

El costo de reparación o reemplazo bajo estas circunstancias excluidas será responsabilidad del cliente.

**NÚMEROS DE CENTROS INTERACTIVOS DE CLIENTE**

<p><b>Para obtener Asistencia para el cliente, información del producto o mantenimiento o distribuidor autorizado:</b></p>	<p><b>Llame al 1-800-243-0000</b> (24 horas al día, 365 días al año), y seleccione la opción adecuada a partir del menú.</p> <p><b>O visite nuestro sitio Web en:</b> <a href="http://www.lgservice.com">http://www.lgservice.com</a>.</p>
--	--

**PARA CONTACTAR A LG ELECTRONICS POR CORREO:**

LG Customer Interactive Center  
P. O. Box 240007  
201 James Record Road  
Huntsville, Alabama 35824  
ATTN: CIC

**Información de registro del producto**

**Modelo:** \_\_\_\_\_

**Número de serie:** \_\_\_\_\_

**Fecha de compra:** \_\_\_\_\_

El modelo y número de serie figuran en la placa de clasificación en la parte interna de la puerta del frente.





