



Outperform every day.™

# Operator's Manual

## Cayenne® Medium-Duty and Heavy-Duty Gas Charbroilers

Thank you for purchasing this Vollrath equipment. Before operating the equipment, read and familiarize yourself with the following operating and safety instructions. **SAVE THESE INSTRUCTIONS FOR FUTURE REFERENCE.** Save the original box and packaging. Use this packaging to ship the equipment if repairs are needed.

### SAFETY PRECAUTIONS

To ensure safe operation, read the following statements and understand their meaning. This manual contains safety precautions which are explained below. Please read carefully.

#### **WARNING**

Warning is used to indicate the presence of a hazard that will or can cause severe personal injury or death.

#### **CAUTION**

Caution is used to indicate the presence of a hazard that will or can cause minor or major personal injury if the caution is ignored.

**NOTICE:** Notice is used to note information that is important but not hazard-related.

#### **To reduce risk of injury or damage to the equipment:**

- Clean the equipment per the instructions in this manual.
- Do not store or use gasoline or other flammable vapors or liquids in the vicinity of this or any other equipment.
- Keep the equipment area free and clear from combustibles.
- Do not obstruct the flow of combustion and ventilation air. The equipment must have a minimum of 6" of space on all sides.
- Use a soft cloth dampened with warm, soapy water to clean the controls and the sides of the equipment.
- Let hot equipment cool before cleaning or moving.
- Use equipment on a flat, level position only.
- Do not operate unattended.



#### **WARNING**

##### **Fire, Injury, Death Hazard**

Correct precautions, procedures and regulations for usage must be followed. Operation and safety training is necessary for all users of this equipment.

### FUNCTION AND PURPOSE

This equipment is intended to be used for charbroiling foods in commercial foodservice operations only. It is not intended for household, industrial or laboratory use.



Medium Duty



Heavy Duty



ANS Z83.11  
CSA 1.8 - 2016  
Food Service Equip.



Conforms to ANSI  
STD Z83.11-2016  
Certified to CSA  
STD 1.8-2016



Conforms to  
NSF/ANSI STD


Item No.	Model	Description
40728	CBL9012	Medium-Duty, Radiant/Lava, 12"
407292	CBL90162	Medium-Duty, Radiant/Lava, 18"
407302	CBL90242	Medium-Duty, Radiant/Lava, 24"
407312	CBL90362	Medium-Duty, Radiant/Lava, 36"
407372	CBL90482	Medium-Duty, Radiant/Lava, 48"
407382	CBL90602	Medium-Duty, Radiant/Lava, 60"
924CG	CBL2024	Heavy-Duty, Radiant/Lava, 24"
936CG	CBL2036	Heavy-Duty, Radiant/Lava, 36"
948CG	CBL2048	Heavy-Duty, Radiant/Lava, 48"
960CG	CBL2060	Heavy-Duty, Radiant/Lava, 60"
972CG	CBL2072	Heavy-Duty, Radiant/Lava, 72"


### CLEARANCE AND ENVIRONMENT REQUIREMENTS


- Must be installed adjacent to non-combustible surfaces only, with a minimum spacing of 6" on all sides.
- Must be a minimum distance of 6" from other equipment.
- Adequate clearance must be maintained at all times in front of and at the sides of the equipment for servicing and proper ventilation.

Register your product at [Vollrath.com/registration](http://Vollrath.com/registration) and become eligible to win a free 10" Vollrath Tribute® fry pan.

## INSTALLATION

	<b>WARNING</b> <b>Fire, Injury, Death Hazard</b> This equipment must be installed by a qualified installer in accordance with all federal, state and local codes. Failure to install this equipment properly can result in injury or death.
--	---

	<b>WARNING</b> <b>Fire Hazard</b> Do not install or use without 4" legs. Use of this equipment without legs can cause the appliance to overheat and cause a fire.
--	---

	<b>CAUTION</b> Any loose dirt or metal particles that are allowed to enter the gas lines on this appliance will damage the valve and affect its operation. When installing this appliance, all pipe and fittings must be free from any internal contaminants. It is recommended that a sediment trap be installed in-line before the regulator.
--	--

### Applicable Codes and Standards

#### United States

Vollrath recommends that all commercial cooking equipment be provided with a ventilation system in compliance with NFPA96.

- Cooking equipment that uses or produces grease (e.g. fryer, griddle), must be provided with hoods that are designed to capture grease and provide fire protection.
- Equipment must be installed in accordance with the requirements and approval of the AHJ "Authority Having Jurisdiction."

**NOTICE:** Post instructions to be followed in the event the user smells gas. Consult your local gas supplier for these instructions and post in a prominent location.

**NOTICE:** The installation of this equipment must conform with local codes, or in the absence of local codes, with the National Fuel Gas Code, International Fuel Gas Code, ANSI Z223.1/NFPA 54, or the Natural Gas and Propane Installation Code, CSA B149.1, as applicable.

### Install and Level the Legs

Ensure that the equipment is level in all directions. Begin by tightening each leg securely. Then, as needed at each corner, rotate the adjustable foot.

### Gas Piping

- Gas piping must be sized to ensure sufficient pressure and flow to meet the full-rated gas input of the equipment.
- Connection to an existing system requires that the existing system have excess capacity equal to or greater than the full-rated gas input of the equipment.
- Joint compound (pipe dope) should be used sparingly and only on the male threads of the pipe joints. Such compounds must be resistant to the action of liquid propane (LP) gases.

### Pressure Regulator

**NOTICE:** All commercial cooking equipment must have a pressure regulator on the incoming service line for safe and efficient operation.

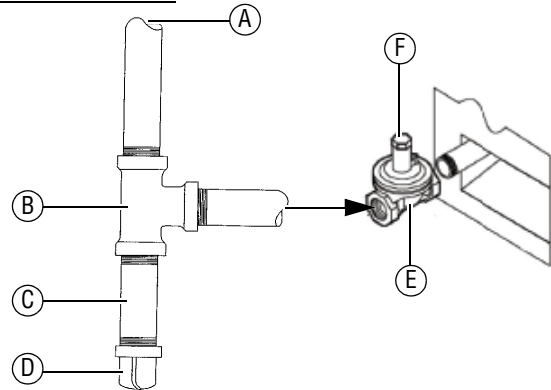
**NOTICE:** Prior to connecting the regulator, check the incoming line pressure. The regulator can only withstand a maximum pressure of ½ PSI (14" WC). If the line pressure is beyond this limit, a step-down regulator before the regulator provided will be required.

**NOTICE:** The appliance and its individual shutoff valve must be disconnected from the gas supply piping system during any pressure testing of that system at test pressures in excess of 1/2 psi (3.5 kPa).

**NOTICE:** The appliance must be isolated from the gas supply piping system by closing its individual manual shutoff valve during any pressure testing of the gas supply piping system at test pressures equal to less than 1/2 psi (3.5 kPa)

- The arrow forged into the bottom of the regulator body shows gas flow direction, and should point downstream to the equipment.
- The regulator provided with this equipment is configured for use with natural gas. Following the instructions in the LP Conversion Kit, it can be reconfigured for use with LP gas.
- The equipment comes fitted with a ¾" N.P.T male adapter for connection to the pressure regulator.
- Check the pressure of the incoming gas line. The regulator can withstand a maximum pressure of 14" WC (½ PSI). If the line pressure is beyond this limit, a step-down regulator will be required.

### Regulator Connection



- A** To gas supply with the installation of B, C and D in a vertical orientation as shown to provide for debris capture.
- B Tee**
- C Nipple** (any length)
- D Cap**
- E Supplied Regulator**
- F Vent**

### Orifice Sizing

**NOTICE:** Refer to the International Fuel Gas Code for proper orifice sizing.

- Installer is responsible for correct orifice sizing.
- The orifice size is marked on the orifice/spud.
- Equipment is manufactured for 1035 BTU per cubic foot heat value of natural gas.

### Gas Conversion

- Conversion from natural gas to liquid propane (LP) or vice versa must be performed by a qualified technician or service agent per the International Fuel Gas Code.
- Refer to the conversion kit instructions included with this equipment.

### Manual Shut-Off Valve

A manual shut off valve should be installed in an accessible location within 6 ft. (1.8 m) of the equipment.

## INSTALLATION (CONTINUED)

### Test the Equipment

#### Check for Gas Leaks

**NOTICE:** Matches, candle flame, or any other potential source of ignition shall not be used for this purpose.

1. Rotate the gas control knobs for the main burner(s) to the OFF position.
2. Remove the gas control knob(s).
3. Use a flathead screwdriver to remove the screws on the front panel. Remove the front panel to access the pilot burner control valve(s).
4. Locate the pilot burner control valves for each pilot light and turn it OFF by turning the small forward-facing screw clockwise until tight.
5. Connect the equipment to the gas supply.
6. Apply soapy water to each connection.
7. Turn ON the main supply valve.
8. Look for bubbles at the connections.
9. Adjust the connections as needed.

#### Light the Pilot Burners

1. Wait 5 minutes to allow any gas to dissipate.
2. To light the pilot burners, hold a flame source over the desired pilot burner while slowly turning its control valve screw counterclockwise, adjusting the flame to the desired intensity. Repeat for all pilot burners.

#### Test the Main Burners

After lighting all of the pilot burners, ensure that each main burner functions correctly.

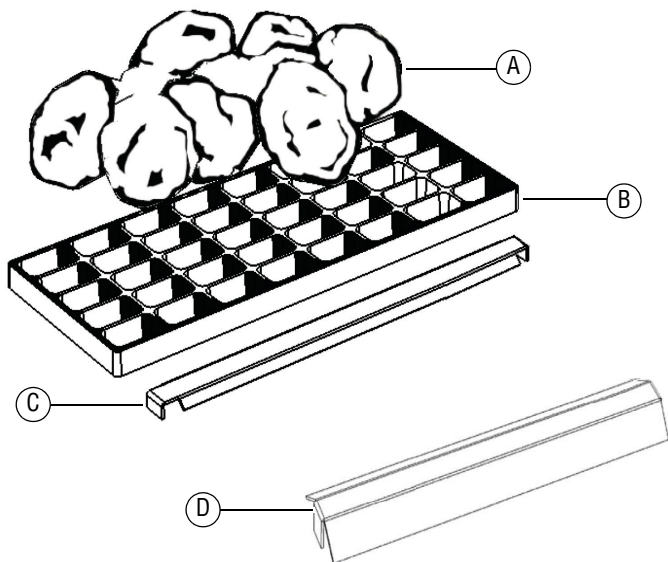
## FEATURES AND CONTROLS



- A Grill Grates.** Angle can be adjusted.
- B Knob Guard.** Helps protect the control knob from damage (Heavy-Duty only).
- C Gas Control Knob.** Used to adjust the temperature of the grilling surface.
- D Drip Tray.** Collects grease and oil. This tray can be removed for cleaning. It is recommended to have a thin layer of water in the drip tray to reduce flare-ups and smoking, while still allowing plenty of volume for drippings.
- E Pilot Light Access Hole.** Allows access to the pilot light.
- F Adjustable Foot.** Used to adjust the level of the equipment.
- G Leg.** Supports the equipment.

## BEFORE FIRST USE

### Set Up For Lava Rock or Radiant Heat



- A Lava Rock.** Helps to deliver even heating across the entire surface and also serve to collect drippings to provide some smoke flavoring to the food. Should be replaced when they are no longer porous.
- B Waffle Grate(s).** Used with the lava rock setup.
- C Lava Rock Cover(s).** Used with the lava rock setup.
- D Radiant Cover(s).** Used alone in the radiant setup to protect the burner(s) and to help to better distribute the heat from the burner(s).

#### Convert to Radiant Heat

1. Remove the lava rock and save for future reuse.
2. Remove the waffle grate(s) and save for future reuse if still sufficiently porous; otherwise, discard.
3. Remove the lava rock cover(s) and save for future reuse.
4. Place the radiant cover(s) over the burner tube(s).

#### Convert to Lava Rock

1. Remove the radiant cover(s) and save for future reuse.
2. Place the lava rock cover(s) over the burner tube(s).
3. Set the waffle grate(s) into place.
4. Set the lava rock onto the waffle grate(s) and spread out evenly.

### Burn In the Equipment

1. Rotate the gas control knob(s) to the maximum setting.
2. Allow charbroiler to heat and burn-in for approximately 30-minutes.  
**NOTICE: You may notice smoking during this initial burn-in; this is normal.**
3. Rotate the gas control knobs to OFF.

### Seasoning Grill Grates

1. Allow the charbroiler to cool or heat to a warming temperature of approximately 200°F.
2. Rub cooking oil, shortening, beef suet, or the like on the charbroiler grates with a clean cloth.
3. Heat the charbroiler to medium high and allow it to operate for approximately 30 minutes.
4. Reduce the burner dial(s) to the lowest setting and allow the charbroiler to cool and stabilize at a low heat.
5. Remove any excess oil and wipe clean.
6. Repeat the process; oil, heat for 30 minutes, cool, and wipe clean.

## OPERATION



### WARNING

#### Fire, Death Hazard

If you smell gas follow the instructions provided by the gas supplier.  
Do not touch any electrical switches; do not try to light the burner; do not use a telephone within close proximity.



### CAUTION

#### Burn Hazard

Hot surfaces and food can burn skin. Allow the hot surfaces to cool before handling. Do not drop or spill water onto the cooking surface as it can spray or splatter.

**TIP:** Set the grill grates at an angle. This will enable liquids to run down the grates and into the drip tray, which will reduce flare-ups.

1. Verify that the drip tray is in place. Add water to the drip tray. Water vapor rising from the drip tray and through the combustion chamber will help to reduce flare-ups.
2. Lightly oil and wipe the grates clean to remove any contaminants that may have accumulated or have seeped from the grill and/or perimeter since last use and to ensure a clean non-stick cooking surface.
3. Rotate the gas control knobs to ignite the main burner(s). Adjust the knob(s) to the desired heat level.
4. Preheat the grill grates for 15 minutes.
5. Cook the food.
6. Empty the drip tray periodically to ensure that it does not overflow. Check the drip tray frequently and add water as necessary.
7. Do not allow oil or grease to build up on the grill grates. Wipe down the grill grates to prevent carbon build-up, which could affect the performance of the grill.

---

## CLEANING

---



### **CAUTION**

#### **Burn Hazard**

Hot surfaces and food can burn skin. Allow the hot surfaces to cool before handling. Do not drop or spill water onto the cooking surface as it can spray or splatter.

To prevent flare-ups and to maintain the appearance and increase the service life, clean your equipment daily.

**NOTICE:** Do not clean the equipment with steel wool.

**NOTICE:** Do not use cleaning chemicals or soaps as these can be absorbed by the cooking surface and affect the flavor of the food. If necessary, use only clean water, oil, and/or a food grade degreaser for the cleaning process.

**NOTICE:** To prevent corrosion, do not allow the grate(s) to remain unseasoned or without a thin coating of cooking oil.

### Daily

1. While the grates are hot (approximately 300° F), use a grill brush or grill brick to scrub them clean.
2. Inspect the grates and determine if they need to be re-seasoned. If they grates do not need seasoning, apply a thin coat of cooking oil to the grates to prevent corrosion.
3. Allow the charbroiler to cool
4. Remove, empty and clean the drip tray.
5. Clean the exterior of the unit.

### Weekly Or More Often if Needed

#### Radiant Bars

1. Remove the radiant bars.
2. Inspect for wear. If bars are worn, order replacements.

**NOTICE:** Do not operate the charbroiler with worn radiant bars. This will reduce performance of the charbroiler and may cause flare-ups.

3. Wash the radiant bars in a solution of warm, soapy water.
4. Thoroughly dry the radiant bars.
5. Place radiant bars in the charbroiler.

#### Lava Rock

1. Flip over the lava rocks. This will enable any grease that has accumulated on the top of the rocks to burn off.
2. Inspect the waffle grate for wear. If grate is worn, order a replacement.

**NOTICE:** Do not operate the charbroiler with a worn grate. This will reduce performance of the charbroiler and may cause flare-ups.

3. Inspect the rocks for wear. Vollrath recommends replacing the rocks when the surface is no longer porous. Eventually, ash and contaminants will plug the holes and the lava rock will no longer capture the drippings and convert them to smoke. Instead, the drippings will run right off and risk a flare-up.

---

## PREVENTATIVE MAINTENANCE

---



### **WARNING**

#### **Fire, Injury, Death Hazard**

Contact a qualified technician or service agent for any adjustments, maintenance or repairs. This appliance is not user serviceable.

A qualified service company should check the unit for safe and efficient operation on an annual basis. Contact the factory representative or local service company to perform maintenance and repairs.

---

## TROUBLESHOOTING

---

<b>Problem</b>	<b>Might be Caused By</b>	<b>Course of Action</b>
Smell gas.	Unknown cause.	Turn off the main supply valve, vent the area, call a qualified service agent.
Burner does not light.	Pilot burner not lit.	Wait 5 minutes to allow gas to dissipate, then light the pilot burner.
Cooking surface smokes excessively.	Cooking surface not cleaned.	Allow the cooking surface to cool down and clean while still warm; then season the top.
Cooking surface is too hot.	Insufficient ventilation.	Ensure a minimum of 6" of space is allowed on all sides of the equipment.
Uneven cooking surface top heating.	Insufficient ventilation.	Ensure a minimum of 6" of space is allowed on all sides of the equipment.
Burner not operating properly.	Orifice contaminated.	Contact an authorized service agent to service the burner.

This page intentionally left blank.

---

## SERVICE AND REPAIR

---

Serviceable parts are available on [Vollrath.com](http://Vollrath.com).

To avoid serious injury or damage, never attempt to repair the unit yourself. Either contact a qualified service agent for the repair or contact Vollrath Technical Services for instructions. The appropriate phone number is listed at the bottom of the page.

When contacting Vollrath Technical Services, please be ready with the item number, model number (if applicable), serial number, and proof of purchase showing the date the unit was purchased.

---

## WARRANTY STATEMENT FOR THE VOLLRATH CO. L.L.C.

---

This warranty does not apply to products purchased for personal, family or household use, and The Vollrath Company LLC does not offer a written warranty to purchasers for such uses.

The Vollrath Company LLC warrants the products it manufactures or distributes against defects in materials and workmanship as specifically described in our full warranty statement. In all cases, the warranty runs from the date of the end user's original purchase date found on the receipt. Any damages from improper use, abuse, modification or damage resulting from improper packaging during return shipment for warranty repair will not be covered under warranty.

For complete warranty information, product registration and new product announcement, visit [www.vollrath.com](http://www.vollrath.com).



Outperform every day.™

[www.vollrath.com](http://www.vollrath.com)

### The Vollrath Company, L.L.C.

1236 North 18th Street  
Sheboygan, WI 53081-3201 U.S.A.  
Main Tel: 800.624.2051 or 920.457.4851  
Main Fax: 800.752.5620 or 920.459.6573  
Customer Service: 800.628.0830  
Canada Customer Service: 800.695.8560

### Technical Services

[techservicereps@vollrathco.com](mailto:techservicereps@vollrathco.com)  
Induction Products: 800.825.6036  
Countertop Warming Products: 800.354.1970  
All Other Products: 800.628.0832



Outperform every day.™

# Manuel d'utilisation

## Barbecues service moyen et service sévère Cayenne®

Avant d'utiliser cet appareil, lisez et familiarisez-vous avec le mode d'emploi et les consignes d'utilisation qui suivent. CONSERVEZ CES INSTRUCTIONS POUR RÉFÉRENCE ULTÉRIEURE. Conservez l'emballage et le carton d'origine. L'emballage devra être réutilisé pour expédier l'appareil si une réparation est nécessaire.

### CONSIGNES DE SÉCURITÉ

Pour garantir un fonctionnement sûr, lisez les avertissements suivants et comprenez leur signification. Ce manuel contient des consignes de sécurité, présentées ci-dessous. Lisez-les attentivement.



#### AVERTISSEMENT

Un avertissement permet d'indiquer la présence d'un danger qui causera ou peut causer des blessures personnelles graves ou la mort.



#### ATTENTION

Une mise en garde indique la présence d'un danger qui causera ou pourra causer des blessures mineures ou majeures si elle est ignorée.

**AVIS :** Un avis met en évidence des informations qui sont importantes mais sans rapport avec un danger.

#### Pour réduire le risque de blessures et d'endommagement de l'appareil :

- Nettoyez l'appareil en suivant les instructions dans ce manuel.
- Ne stockez ou n'utilisez pas d'essence ou d'autres vapeurs ou liquides inflammables à proximité de cet appareil ou de tout autre appareil.
- Gardez la zone de l'appareil dégagée et à l'écart de matériaux combustibles.
- N'entravez pas la circulation d'air de combustion et de ventilation. Il doit y avoir un espace minimum de 6" (15 cm) sur tous les côtés de l'appareil.
- Utilisez un chiffon humecté d'eau savonneuse chaude pour nettoyer les commandes et les côtés de l'appareil.
- Laissez refroidir l'appareil avant de le nettoyer ou de le déplacer.
- Utilisez l'appareil uniquement à l'horizontale sur une surface plane.
- N'utilisez pas l'appareil sans surveillance.



#### WARNING

##### Fire, Injury, Death Hazard

Correct precautions, procedures and regulations for usage must be followed. Operation and safety training is necessary for all users of this equipment.

### FONCTION ET OBJET

Cet appareil permet de faire griller les aliments dans les opérations de restauration commerciales seulement. Il n'est pas prévu pour une utilisation ménagère, industrielle ou en laboratoire.

Enregistrez votre produit sur [Vollrath.com/registration](http://Vollrath.com/registration) et participer à un tirage au sort pouvant vous faire gagner une poêle Vollrath Tribute® 10" (25.4 cm).



Service moyen



Service sévère



ANS Z83.11  
CSA 1.8 - 2016  
Food Service Equip.



Conforms to ANSI  
STD Z83.11-2016  
Certified to CSA  
STD 1.8-2016



Conforms to  
NSF/ANSI STD 4

Num. d'art.	Modèle	Description
40728	CBL9012	Service moyen, chaleur rayonnante/ pierre de lave, 12" (30,5 cm)
407292	CBL90162	Service moyen, chaleur rayonnante/ pierre de lave, 18" (45,7 cm)
407302	CBL90242	Service moyen, chaleur rayonnante/ pierre de lave, 24" (61 cm)
407312	CBL90362	Service moyen, chaleur rayonnante/ pierre de lave, 36" (91,4 cm)
407372	CBL90482	Service moyen, chaleur rayonnante/ pierre de lave, 48" (121,9 cm)
407382	CBL90602	Service moyen, chaleur rayonnante/ pierre de lave, 60" (152,4 cm)
924CG	CBL2024	Service sévère, chaleur rayonnante/ pierre de lave, 24" (61 cm)
936CG	CBL2036	Service sévère, chaleur rayonnante/ pierre de lave, 36" (91,4 cm)
948CG	CBL2048	Service sévère, chaleur rayonnante/ pierre de lave, 48" (121,9 cm)
960CG	CBL2060	Service sévère, chaleur rayonnante/ pierre de lave, 60" (152,4 cm)
972CG	CBL2072	Service sévère, chaleur rayonnante/ pierre de lave, 72" (182,9 cm)

### EXIGENCES EN MATIÈRE DE DÉGAGEMENT ET DE CONDITIONS AMBIANTES

- Cet appareil doit seulement être installé à côté de surfaces non combustibles, avec un dégagement minimum de 6" (15 cm) sur tous les côtés.
- Cet appareil doit être placé à une distance minimum de 6" (15 cm) d'un autre appareil.
- Un dégagement adéquat doit être maintenu à tout moment devant et sur les côtés de l'appareil pour la maintenance et une ventilation adéquate.

## INSTALLATION

	<b>AVERTISSEMENT</b>
Risque de départ de feu, blessures ou danger de mort Cet appareil doit être installé par un installateur qualifié conformément à tous les codes locaux, provinciaux et nationaux. L'installation inadéquate de l'appareil peut causer des blessures, voire la mort.	

	<b>AVERTISSEMENT</b>
Risque d'incendie N'installez ou n'utilisez pas l'appareil sans les pieds de 4" (10 cm). L'utilisation de cet appareil sans les pieds peut causer sa surchauffe et un départ de feu.	

	<b>ATTENTION</b>
Toutes les particules de métal et autres salissures qu'on laisse entrer dans les conduites de gaz endommageront le robinet et nuiront à son fonctionnement. Lors de l'installation de cet appareil, toute la tuyauterie et les raccords doivent être dépourvus de contaminants intérieurs. Il est recommandé d'installer un piège à sédiments en ligne en amont du régulateur.	

### Codes et normes applicables

#### États-Unis

Vollrath recommande que tous les équipements de cuisine commerciale soient fournis avec un système de ventilation conformément à NFPA96.

- Les équipements de cuisine qui utilisent ou produisent de la graisse (par ex. friteuse, plancha) doivent être fournis avec des hottes aspirantes conçues pour capturer la graisse et protéger du feu.
- Ils doivent être installés conformément aux exigences et à l'approbation de l'autorité ayant juridiction.

**AVIS :** Affichez les instructions à suivre en cas d'odeur de gaz. Consultez votre fournisseur de gaz local pour obtenir ces instructions et affichez-les à un endroit bien visible.

**AVIS :** L'installation de cet appareil doit être conforme aux codes locaux ou, en l'absence de codes locaux, au National Fuel Gas Code, à l'International Fuel Gas Code, à l'ANSI Z223.1/NFPA 54 ou au Natural Gas and Propane Installation Code, CSA B149.1, le cas échéant.

### Installation des pieds et réglage pour caler l'appareil

Assurez-vous que l'appareil est à niveau dans toutes les directions. Commencez par bien serrer chaque pied. Ensuite, à chaque coin, tournez le pied réglable.

### Tuyau de gaz

- Le diamètre du tuyau de gaz doit garantir une pression et un débit suffisants pour accepter l'appel de gaz maximal de l'appareil.
- Le raccordement à un réseau existant exige que ce dernier ait une capacité en excès supérieure ou égale à l'appel de gaz maximal de l'appareil.
- De la pâte à joints (pâte lubrifiante) devra être utilisée avec parcimonie et seulement sur les filets mâles des joints de tuyauterie. Ce produit devra être résistant à l'action des gaz de propane liquide (PL).

### Détendeur

**AVIS :** Tout l'équipement de cuisson commercial doit être muni d'un détendeur sur la ligne de raccordement au réseau de gaz pour un fonctionnement sûr et efficace.

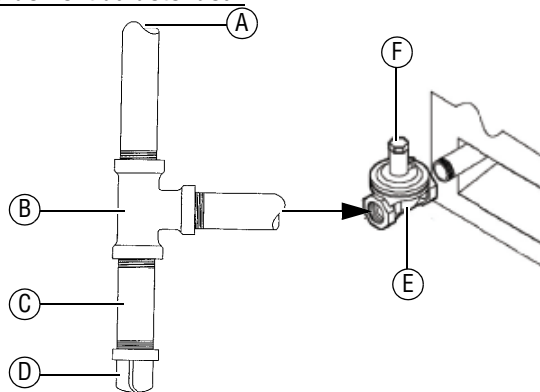
**AVIS :** Avant de raccorder le détendeur, vérifiez la pression de la ligne d'arrivée. Le détendeur résiste à une pression maximum de ½ PSI (14"/35,5 cm C.E.). Si la pression de ligne limite est dépassée, un détendeur abaisseur avant en amont du détendeur fourni sera requis.

**AVIS :** L'appareil et son robinet d'arrêt individuel doivent être déconnectés du réseau d'alimentation en gaz durant tout test de pression de ce système à des pressions d'essai supérieures à ½ psi (3,5 kPa).

**AVIS :** L'appareil doit être isolé du réseau d'alimentation en gaz en fermant son robinet d'arrêt manuel individuel durant tout test de pression du réseau d'alimentation en gaz à des pressions d'essai supérieures ou égales à ½ psi (3,5 kPa).

- La flèche forgée sous le corps du détendeur montre la direction d'écoulement du gaz et doit pointer vers l'aval, vers l'appareil.
- Le détendeur fourni avec cet appareil est configuré pour une utilisation avec du gaz naturel. Suivez les instructions du Kit de conversion au PL ; il peut être reconfiguré pour une utilisation avec du gaz PL.
- L'appareil est livré équipé d'un adaptateur mâle N.P.T ¾" (1,9 cm) pour raccordement au détendeur.
- Vérifiez la pression dans la ligne d'arrivée de gaz. Le détendeur supporte une pression maximum de 14"/35,5 cm C.E. (½ PSI). Si la pression de ligne limite est dépassée, un détendeur abaisseur sera requis.

### Raccordement du détendeur



À l'arrivée de gaz avec l'installation de B, C et D dans une orientation verticale, comme illustré pour permettre la capture des débris.

- |          |                               |          |                  |
|----------|-------------------------------|----------|------------------|
| <b>A</b> | Raccord en T                  | <b>E</b> | Détendeur fourni |
| <b>B</b> | Mamelon (longueur quelconque) | <b>F</b> | Évent            |
| <b>C</b> | Bouchon                       |          |                  |

### Diamètre d'orifice

**AVIS :** Pour le diamètre d'orifice correct, référez-vous à l'International Fuel Gas Code.

- L'installateur est responsable de déterminer la taille d'orifice correcte.
- La taille de l'orifice est indiquée sur le raccord ou l'orifice.
- L'appareil est fabriqué pour un pouvoir calorifique de 1 035 BTU par pied cube de gaz naturel.

### Conversion de gaz

- La conversion du gaz naturel au propane liquide (PL) ou vice versa doit être effectuée par un agent technique qualifié, conformément à l'International Fuel Gas Code.
- Référez-vous aux instructions du kit de conversion inclus avec cet appareil.

## INSTALLATION (SUITE)

### Robinet d'arrêt manuel

Un robinet d'arrêt manuel doit être installé à un endroit accessible à pas plus de 6 pi (1,8 m) de l'appareil.

### Test de l'équipement

#### Contrôle de l'étanchéité

**AVIS :** Il ne faut pas utiliser d'allumettes, de flamme de bougie ou toute autre source potentielle d'inflammation pour le dépiégeage des fuites.

1. Tournez le bouton du robinet de gaz du ou des brûleurs principaux sur position Arrêt.
2. Enlevez le ou les boutons de robinet de gaz.
3. À l'aide d'un tournevis à lame plate, enlevez les vis du panneau avant. Enlevez le panneau avant pour accéder aux valves de régulation de veilleuse.
4. Situez la valve de régulation de veilleuse correspondant à chaque veilleuse et fermez-la en serrant la petite vis tournée vers l'avant dans le sens des aiguilles d'une montre.
5. Raccordez l'appareil à l'arrivée de gaz.
6. Appliquez de l'eau savonneuse sur chaque raccord.
7. Ouvrez l'arrivée de gaz.
8. Observez s'il y a des bulles aux raccords.
9. Ajustez les raccords si nécessaire.

#### Allumage des veilleuses

1. Attendez 5 minutes pour laisser tout le gaz se dissiper.
2. Pour allumer les veilleuses, tenez une source de flamme au-dessus du brûleur souhaité tout en tournant doucement sa vis de régulation dans le sens inverse des aiguilles d'une montre, pour ajuster la flamme à l'intensité voulue. Reprenez pour toutes les veilleuses.

#### Test des brûleurs principaux

Après avoir allumé toutes les veilleuses, assurez-vous que chaque brûleur principal fonctionne correctement.

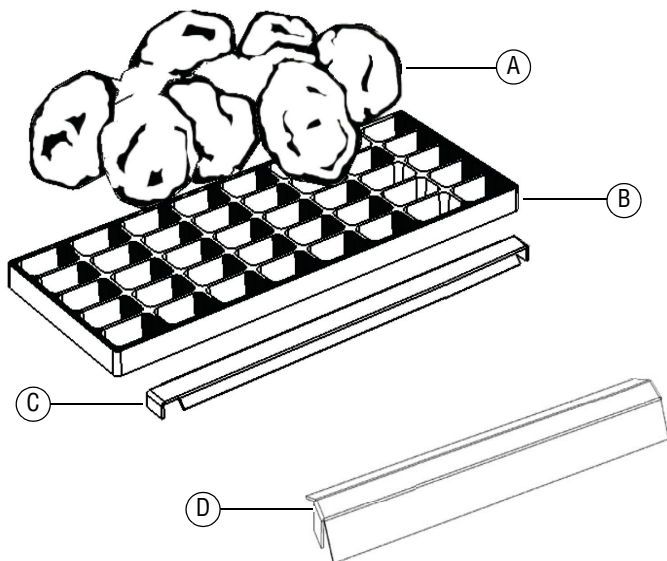
## FONCTIONS ET COMMANDES



- A Grilles.** L'angle est réglable.
- B Garde du bouton.** Protège le bouton contre les dommages (modèle Service sévère seulement).
- C Bouton du robinet du brûleur au gaz.** Permet d'ajuster la température de la surface du gril.
- D Lèche-frite.** Collecte la graisse et l'huile. Ce plateau peut s'enlever pour nettoyage. Il est recommandé d'avoir un peu d'eau dans la lèche-frite pour réduire les flammèches et la fumée tout en laissant un volume largement suffisant pour les coulures.
- E Trou d'accès à la veilleuse.** Donne accès à la veilleuse.
- F Pied réglable.** Permet d'ajuster le niveau de l'appareil et le caler.
- G Pied.** Soutient l'appareil.

## AVANT LA PREMIÈRE UTILISATION

### Configuration pour pierre de lave ou chaleur rayonnante



- A Pierre de lave.** Offre une chaleur uniforme à travers toute la surface et sert aussi à recueillir les coulures pour fournir un goût fumé aux aliments. Doit être remplacée lorsqu'elle n'est plus poreuse.
- B Grille « gaufrier ».** Utilisée avec la pierre de lave.
- C Couvercle de pierre de lave.** Utilisé avec la pierre de lave.
- D Couvercle à chaleur rayonnante.** Utilisé seul dans la configuration chaleur rayonnante pour protéger les brûleurs et aider à mieux distribuer la chaleur qu'ils dégagent.

#### Conversion à la chaleur rayonnante

1. Enlevez la pierre de lave et mettez-la de côté pour une utilisation future.
2. Enlevez la grille « gaufrier » et mettez-la de côté pour une réutilisation future si elle est toujours suffisamment poreuse ; sinon, jetez-la.
3. Enlevez le couvercle de pierre de lave et mettez-le de côté pour une utilisation future.
4. Mettez les couvercles à chaleur rayonnante pardessus les tubes de brûleur.

#### Conversion à la pierre de lave

1. Enlevez les couvercles à chaleur rayonnante et mettez-les de côté pour une utilisation future.
2. Mettez les couvercles de pierre de lave pardessus les tubes de brûleur.
3. Mettez la grille « gaufrier » en place.
4. Placez la pierre de lave sur la grille et étalez-la uniformément.

### Rodage de l'appareil

1. Tournez le bouton du robinet du brûleur au gaz au réglage maximum.
2. Laissez chauffer le barbecue et attendez que les produits résiduels de fabrication se consomment (30 minutes environ).

**AVIS :** Durant cette période de « rodage », il est possible que vous remarquiez une légère odeur. ceci est normal.

3. Tournez les boutons de robinet de brûleur au gaz à la position Arrêt.

### Conditionnement des grilles

1. Laissez le barbecue refroidir ou chauffer à une température d'environ 200 °F (93 °C).
2. Appliquez de l'huile alimentaire, de la graisse végétale solide, du suif de bœuf ou un produit similaire sur les grilles du barbecue en frottant avec un chiffon propre.
3. Faites chauffer le barbecue jusqu'à chaleur moyenne à élevée et laissez fonctionner pendant 30 minutes environ.
4. Tournez le cadran du brûleur au réglage le plus bas et laissez refroidir le barbecue et se stabiliser à basse température.
5. Enlevez l'excédent de matière grasse et essuyez.
6. Répétez la procédure ; huilez, faites chauffer pendant 30 minutes, laissez refroidir et essuyez.

### MODE D'EMPLOI



#### AVERTISSEMENT

##### Risque d'incendie mortel

Si vous sentez le gaz, suivez les instructions du fournisseur de gaz.  
Ne touchez pas d'interrupteur électrique ; n'essayez pas d'allumer le brûleur ; n'utilisez pas de téléphone à proximité.



#### ATTENTION


##### Risque de brûlure

Les surfaces et aliments chauds peuvent causer des brûlures. Laissez refroidir les surfaces chaudes avant manipulation. Ne faites pas tomber d'eau sur la surface de cuisson sous peine de projections de graisse.

**ASTUCE :** inclinez les grilles. Ceci permettra aux liquides de s'écouler sur les grilles jusque dans la lèchefrite, ce qui réduira les flammèches.

1. Vérifiez si la lèchefrite est en place. Ajoutez de l'eau dans la lèchefrite. La vapeur d'eau qui montera de la lèchefrite à travers la chambre de combustion permettra de réduire les flammes.
2. Huilez légèrement et essuyez les grilles pour enlever tous les contaminants qui ont pu s'accumuler ou remonter à la surface et/ou du périmètre depuis la dernière utilisation et pour vous assurer d'avoir une surface de cuisson propre et anti-adhésive.
3. Tournez le bouton du robinet de gaz pour allumer le ou les brûleurs principaux. Ajustez le réglage au niveau de chaleur souhaité.
4. Préchauffez les grilles pendant 15 minutes.
5. Faites cuire les aliments.
6. Videz périodiquement la lèchefrite pour vous assurer qu'elle ne déborde pas. Contrôlez souvent la lèchefrite et ajoutez-y de l'eau au besoin.
7. Ne laissez pas d'huile ou de graisse s'accumuler sur les grilles. Essuyez les grilles pour éviter les dépôts carbonisés susceptibles de nuire à la performance du grill.

## NETTOYAGE

	<b>ATTENTION</b>
<b>Risque de brûlure</b>	Les surfaces et aliments chauds peuvent causer des brûlures. Laissez refroidir les surfaces chaudes avant manipulation. Ne faites pas tomber d'eau sur la surface de cuisson sous peine de projections de graisse.

Pour éviter les flammèches et maintenir l'apparence et augmenter la durée de service, nettoyez chaque jour l'appareil.

**AVIS :** Ne nettoyez pas l'appareil à la laine d'acier.

**AVIS :** N'utilisez pas de produits chimiques nettoyants ou savons dans la mesure où ils peuvent être absorbés par la surface de cuisson et compromettre le goût des aliments. Si nécessaire, utilisez seulement de l'eau claire, de l'huile et/ou un dégraissant alimentaire pour nettoyer.

**AVIS :** Pour empêcher la corrosion, ne laissez pas les grilles sans conditionnement ou mince pellicule d'huile alimentaire.

### Une fois par jour

1. Frottez les grilles brûlantes (300 °F/148 °C) avec une brosse de grill ou une brique pour les nettoyer.
2. Inspectez les grilles et déterminez si elles doivent être reconditionnées. Si les grilles n'ont pas besoin d'être reconditionnées, appliquez une pellicule d'huile alimentaire sur les grilles pour empêcher leur corrosion.
3. Laissez refroidir le barbecue.
4. Enlevez, videz et nettoyez la lèchefrite.
5. Nettoyez l'extérieur de l'appareil.

### Une fois par semaine ou plus souvent si nécessaire

#### Barres à chaleur rayonnante

1. Déposez les barres à chaleur rayonnante.
2. Inspectez l'usure. Si les barres sont usées, commandez des barres de rechange.

**AVIS :** N'utilisez pas le barbecue avec des barres à chaleur rayonnante usées. Ceci réduira la performance du barbecue et risque de causer des flammèches.

3. Lavez les barres à chaleur rayonnante dans de l'eau savonneuse chaude.
4. Essuyez bien les barres à chaleur rayonnante.
5. Placez les barres à chaleur rayonnante dans le barbecue.

#### Pierre de lave

1. Retournez les pierres de lave. Ceci permet à la graisse qui s'est accumulée sur le dessus des pierres de brûler.
2. Inspectez l'usure de la grille « gaufrier ». Si la grille est usée, commandez une grille de rechange.

**AVIS :** N'utilisez pas le barbecue avec une grille usée. Ceci réduira la performance du barbecue et risque de causer des flammèches.

3. Inspectez l'usure des pierres. Vollrath recommande le remplacement des pierres lorsque la surface n'est plus poreuse. De la cendre et des contaminants finiront par boucher les orifices et la pierre de lave ne pourra plus capturer les coulures et les convertir en fumée. À la place, les coulures s'écouleront directement et poseront un risque de flammèches.

## ENTRETIEN PRÉVENTIF

	<b>AVERTISSEMENT</b>
<b>Risque de départ de feu, blessures ou danger de mort</b>	Contactez un agent technique agréé pour tout réglage, toute maintenance ou toute réparation. Cet appareil n'est pas réparable par l'utilisateur.

Une fois par an, un technicien qualifié devra vérifier le fonctionnement sûr et efficace de l'appareil. Pour une maintenance ou une réparation, contactez l'usine ou le SAV local.

## DÉPANNAGE

Problème	Cause possible	Mesure corrective
Odeur de gaz.	Cause inconnue.	Fermez le robinet d'arrivée de gaz, aérez les lieux et appelez un agent de maintenance qualifié.
Le brûleur ne s'allume pas.	Veilleuse éteinte.	Attendez 5 minutes pour permettre la dissipation du gaz, puis allumez la veilleuse.
La surface de cuisson fume excessivement.	Surface de cuisson sale.	Laissez refroidir la surface de cuisson et nettoyez-la pendant qu'elle est encore chaude ; ensuite, conditionnez le dessus.
La surface de cuisson est trop chaude.	Ventilation insuffisante.	Assurez-vous qu'il y a un espace de 6" (15 cm) minimum sur tous les côtés de l'appareil.
Chauffage irrégulier de la surface de cuisson.	Ventilation insuffisante.	Assurez-vous qu'il y a un espace de 6" (15 cm) minimum sur tous les côtés de l'appareil.
Le brûleur ne fonctionne pas correctement.	Orifice contaminé.	Contactez un agent de maintenance qualifié pour faire réparer le brûleur.

Page vierge.

---

## RÉPARATIONS

---

Des pièces détachées sont disponibles sur [Vollrath.com](http://Vollrath.com).

Pour éviter toute blessure grave ou tout dommage sévère, n'essayez jamais de réparer l'appareil ou de remplacer vous-même un cordon d'alimentation endommagé. N'envoyez aucun appareil directement à la Vollrath Company LLC. Pour des instructions, contactez les services techniques de Vollrath.

Lorsque vous contacterez les services techniques de Vollrath, tenez-vous prêt à fournir le numéro d'article, le numéro de modèle (s'il y a lieu), le numéro de série et le justificatif d'achat indiquant la date d'achat de l'appareil.

---

## GARANTIE DE THE VOLLRATH CO. L.L.C.

---

Cette garantie ne s'applique pas aux produits achetés pour un usage personnel, familial ou ménager, et The Vollrath Company LLC ne propose aucune garantie écrite aux acheteurs pour de telles utilisations.

The Vollrath Company L.L.C. garantit que les produits qu'elle fabrique et distribue seront dépourvus de vices de matériaux et de malfaçons, comme indiqué dans notre déclaration complète de garantie. Dans tous les cas, la garantie entre en vigueur à la date d'achat par l'utilisateur initial indiquée sur le reçu. Tous les dommages subis lors d'une utilisation impropre ou abusive, ou résultant d'une modification ou d'un emballage inadapté lors d'un renvoi du produit pour une réparation sous garantie ne seront pas couverts par la garantie.

Pour des informations complètes sur la garantie, l'enregistrement des produits et l'annonce de nouveaux produits, consultez [www.vollrath.com](http://www.vollrath.com).



Outperform every day.™

[www.vollrath.com](http://www.vollrath.com)

### The Vollrath Company, L.L.C.

1236 North 18th Street  
Sheboygan, WI 53081-3201 États-Unis  
Standard : 800.624.2051 ou 920.457.4851  
Télécopieur : 800.752.5620 ou 920.459.6573  
Service clientèle : 800.628.0830  
Service clientèle Canada : 800.695.8560

### Services techniques

[techservicereps@vollrathco.com](mailto:techservicereps@vollrathco.com)  
Produits à induction : 800.825.6036  
Réchauds de comptoir : 800.354.1970  
Tous les autres produits : 800.628.0832



Outperform every day.™

# Manual del operador

## Parrillas a gas Cayenne® de servicio mediano y pesado

Gracias por comprar este equipo Vollrath. Antes de usar el equipo, lea y familiarícese con las siguientes instrucciones de operación y seguridad. CONSERVE ESTAS INSTRUCCIONES COMO REFERENCIA PARA EL FUTURO. Conserve la caja y embalado originales. Deberá utilizarlos para devolver el equipo en caso de que requiera reparaciones.

### PRECAUCIONES DE SEGURIDAD

Para garantizar una operación segura, lea las siguientes afirmaciones y comprenda su significado. Este manual contiene precauciones de seguridad que se explican a continuación. Léelas atentamente.

#### ADVERTENCIA

Advertencia se usa para indicar la presencia de un peligro que provocará o puede provocar lesiones graves o letales.

#### PRECAUCIÓN

Precaución se usa para indicar la presencia de un peligro que provocará o puede provocar lesiones leves o importantes si se ignora el aviso.

**AVISO:** Aviso se usa para señalar información importante no relacionada con peligros.

#### Para disminuir el riesgo de lesiones personales o daños al equipo:

- Limpie el equipo según las instrucciones de este manual.
- No almacene ni utilice gasolina u otros líquidos o vapores inflamables en las cercanías de este o cualquier otro equipo.
- Mantenga el área del equipo libre y despejada de materiales inflamables.
- No obstruya el flujo de aire de combustión y ventilación. El equipo debe tener un espacio mínimo de 6" (15,2 cm) en todos los lados.
- Use un paño suave humedecido con agua jabonosa tibia para limpiar los controles y los lados del equipo.
- Deje que el equipo caliente se enfríe antes de limpiarlo o trasladarlo.
- Use el equipo solo en posición plana y nivelada.
- No lo deje funcionando solo.



#### WARNING

##### Fire, Injury, Death Hazard

Correct precautions, procedures and regulations for usage must be followed. Operation and safety training is necessary for all users of this equipment.

### FUNCIÓN Y PROPÓSITO

Este equipo está exclusivamente diseñado para asar los alimentos en operaciones comerciales de servicio de comidas. No está diseñado para uso doméstico, industrial ni de laboratorio.



Servicio mediano



Servicio pesado



ANS Z83.11  
CSA 1.8 - 2016  
Food Service Equip.



Conforms to ANSI  
STD Z83.11-2016  
Certified to CSA  
STD 1.8-2016



Conforms to  
NSF/ANSI STD 4

Núm. Art.	Modelo	Descripción
40728	CBL9012	Servicio mediano, radiante/piedra volcánica, 12" (30,5 cm)
407292	CBL90162	Servicio mediano, radiante/piedra volcánica, 18" (45,7 cm)
407302	CBL90242	Servicio mediano, radiante/piedra volcánica, 24" (61 cm)
407312	CBL90362	Servicio mediano, radiante/piedra volcánica, 36" (91,4 cm)
407372	CBL90482	Servicio mediano, radiante/piedra volcánica, 48" (121,9 cm)
407382	CBL90602	Servicio mediano, radiante/piedra volcánica, 60" (152,4 cm)
924CG	CBL2024	Servicio pesado, radiante/piedra volcánica, 24" (61 cm)
936CG	CBL2036	Servicio pesado, radiante/piedra volcánica, 36" (91,4 cm)
948CG	CBL2048	Servicio pesado, radiante/piedra volcánica, 48" (121,9 cm)
960CG	CBL2060	Servicio pesado, radiante/piedra volcánica, 60" (152,4 cm)
972CG	CBL2072	Servicio pesado, radiante/piedra volcánica, 72" (182,9 cm)

### REQUISITOS AMBIENTALES Y SEPARACIÓN

- Debe instalarse solamente adyacente a superficies no combustibles con una separación mínima de 6" (15,2 cm) en todos los lados.
- Debe estar a una distancia mínima de 6" (15,2 cm) de otro equipo.
- Debe mantenerse una separación adecuada en todo momento delante y en todos los lados del equipo para darle servicio y ventilación adecuada.

Inscriba su producto en [Vollrath.com/registration](http://Vollrath.com/registration) y participe para ganar una sartén de 10" (25,4 cm) Tribute® de Vollrath.



# INSTALACIÓN

	<b>ADVERTENCIA</b>
Peligro de incendio, lesiones o la muerte Este equipo debe instalarlo personal calificado de acuerdo con todos los códigos federales, estatales y locales. El no instalar correctamente este equipo puede causar lesiones graves o letales.	

	<b>ADVERTENCIA</b>
Peligro de incendio No instale ni use el equipo sin las patas de 4" (10 cm). El usar este equipo sin las patas puede hacer que el artefacto se sobrecaliente y cause un incendio.	

	<b>PRECAUCIÓN</b>
Toda suciedad o partículas metálicas sueltas, que ingresen en las líneas de gas de este artefacto, dañará la válvula y afectará su funcionamiento. Cuando instale este artefacto, todos los tubos y conexiones deben estar libres de cualquier contaminación interna. Se recomienda instalar una trampa de sedimento en línea antes del regulador.	

## Códigos y normas aplicables

### Estados Unidos

Vollrath recomienda que todos los equipos de cocina comercial se proporcionen con un sistema de ventilación que cumpla la norma NFPA96.

- El equipo de cocina que utiliza o produce grasa (p. ej., freidora, plancha), debe proporcionarse con campanas diseñadas para captar la grasa y brindar protección contra incendios.
- El equipo debe instalarse de acuerdo con los requisitos y la aprobación de la autoridad competente (AHJ).

**AVISO:** Publique instrucciones para que sean acatadas en caso de que el usuario huelga gas. Consulte con su proveedor local de gas para obtener estas instrucciones y publíquelas en un lugar destacado.

**AVISO:** La instalación de este equipo debe cumplir los códigos locales, o en ausencia de los mismos, con el Código Nacional de Gas Combustible, ANSI Z223.1/NFPA 54, o el Código de Instalación de Gas Natural y Propano, CSA B149.1, según corresponda.

## Instale y nivele todas las patas

Cerciórese de que el equipo esté nivelado en todas las direcciones. Comience apretando firmemente cada pata. Luego, según sea necesario en cada esquina, gire la pata ajustable.

## Tubería de gas

- Para garantizar suficiente presión y flujo a fin de cumplir con la entrada de gas nominal completa del equipo, se debe dimensionar la tubería de gas.
- La conexión a un sistema existente requiere que dicho sistema tenga un exceso cuya capacidad sea igual o mayor que la entrada de gas nominal completa del equipo.
- Debe usarse compuesto para juntas (cañerías) con moderación y solo en las roscas macho de las juntas de la tubería. Tales compuestos deben ser resistentes a la acción de los gases de propano líquido.

## Regulador de presión

**AVISO:** Para una operación segura y eficiente, todos los equipos de cocina comercial deben tener un regulador de presión en la línea de servicio entrante.

**AVISO:** Antes de conectar el regulador, revise la presión de línea

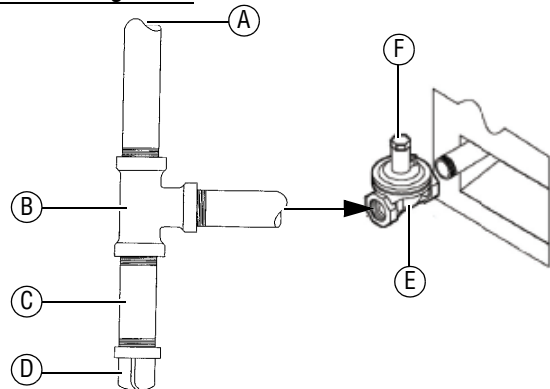
entrante. El regulador solo puede soportar una presión máxima de 1/2 lb/pulg<sup>2</sup> (14" WC). Si la línea de presión está más allá de este límite, se deberá instalar un regulador con reducción de potencia delante del regulador que se proporciona.

**AVISO:** El artefacto y su válvula de cierre individual deben desconectarse del sistema de tuberías de suministro de gas durante toda prueba de presión del sistema a presiones superiores a 1/2 lb/pulg<sup>2</sup> (3,5 kPa).

**AVISO:** El artefacto debe aislarse del sistema de tuberías de suministro de gas cerrando la válvula manual individual durante toda prueba de presión del sistema de tuberías de suministro de gas a presiones de prueba iguales o menores que 1/2 lb/pulg<sup>2</sup> (3,5 kPa).

- La flecha forjada en la parte inferior del cuerpo del regulador muestra la dirección del flujo de gas y debe apuntar aguas abajo en el equipo.
- El regulador provisto con este equipo está configurado para usarse con gas natural. Para usar gas de propano líquido, siga las instrucciones del juego para conversión a propano líquido a fin de reconfigurar regulador.
- El equipo viene equipado con un adaptador macho de 3/4" N.P.T para conectarlo al regulador de presión.
- Revise la presión de la línea de gas entrante El regulador puede soportar una presión máxima de 14" WC (1/2 lb/pulg<sup>2</sup>). Si la línea de presión está más allá de este límite, se deberá instalar un regulador con reducción de potencia.

## Conexión del regulador



**A** Al suministro de gas con la instalación de B, C y D en una orientación vertical como se muestra para la captación de desechos.

**B** Tee (T)

**C** Niple (de cualquier longitud)

**D** Tapa

**E** Regulador suministrado

**F** Orificio de ventilación

## Tamaño del orificio

**AVISO:** En el Código Internacional de Gas Combustible encontrará el tamaño correcto del orificio.

- El instalador es el responsable del tamaño correcto del orificio.
- El tamaño del orificio está marcado en la abertura/copa.
- El equipo está fabricado para 1035 BTU por pie cúbico de valor calórico de gas natural.

## Conversión de gas

- La conversión de gas natural a propano líquido (PL) o viceversa debe ser realizada por un técnico o agente de servicio calificado según el Código Internacional de Gas Combustible.
- Consulte las instrucciones del juego de conversión incluidas con este equipo.

## Válvula de cierre manual

Se debe instalar una válvula de cierre manual en una ubicación accesible dentro de 6 pies (1,8 m) del equipo.

## INSTALACIÓN (CONTINUACIÓN)

### Pruebe el equipo

#### Revise si hay fugas de gas

**AVISO:** No deben usarse cerillas, llamas de vela ni ninguna otra fuente de ignición para este propósito.

1. Gire las perillas de control de gas a la posición de apagado (OFF) en el o los quemadores principales.
2. Retire la o las perillas de control de gas.
3. Use un destornillador de cabeza plana para aflojar los tornillos en el panel delantero. Retire el panel delantero para acceder a la o las válvulas de control de quemadores piloto.
4. Ubique las válvulas de control de quemadores piloto a fin de hallar cada luz piloto y apáguelas girando el pequeño tornillo orientado hacia delante en sentido horario hasta que quede apretado.
5. Conecte el equipo al suministro de gas.
6. Aplique agua jabonosa a cada conexión.
7. Encienda la válvula de suministro principal.
8. Vea si hay burbujas en las conexiones.
9. Ajuste las conexiones según sea necesario.

#### Encienda los quemadores piloto

1. Espere 5 minutos para que el gas se disipe.
2. Para encender los quemadores piloto, sostenga una fuente de llama sobre el quemador piloto deseado mientras gira lentamente el tornillo de la válvula de control en sentido antihorario, ajustando la llama a la intensidad deseada. Repita este procedimiento en todos los quemadores piloto.

#### Pruebe los quemadores principales

Tras encender todos los quemadores piloto, cerciórese de que cada quemador principal funcione correctamente.

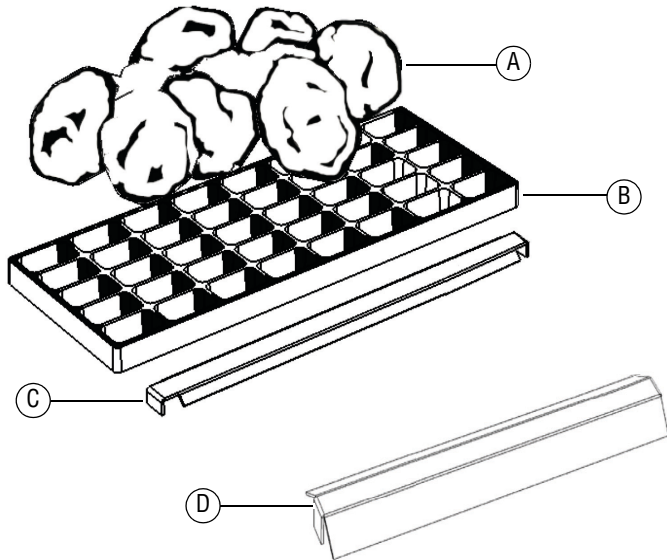
## CARACTERÍSTICAS Y CONTROLES



- A Rejillas de la parrilla.** Se puede ajustar el ángulo.
- B Protección de la perilla.** Ayuda a proteger la perilla de control contra daños (servicio pesado solamente).
- C Perilla de control de gas.** Se usa para ajustar la temperatura de la superficie de cocción.
- D Bandeja de goteo.** Recolecta la grasa y el aceite. La bandeja puede retirarse para limpiarla. Se recomienda tener una capa delgada de agua en la bandeja de goteo para reducir las inflamaciones y humo, a la vez que se deja suficiente volumen para el goteo.
- E Orificio de acceso a la luz piloto.** Permite acceder a la luz piloto.
- F Pata ajustable.** Se usa para ajustar el nivel del equipo.
- G Pata.** Soporta el equipo.

## ANTES DEL PRIMER USO

### Configure en calor de piedra volcánica o radiante



- A Piedra volcánica.** Permite entregar un calentamiento uniforme en toda la superficie y también sirve para recolectar goteos a fin de agregar algo de sabor ahumado a la comida. Deben reemplazarse cuando ya no sean porosas.
- B Rejilla(s) reticular(es).** Para usar con la configuración de piedra volcánica.
- C Cubierta(s) de piedra volcánica.** Para usar con la configuración de piedra volcánica.
- D Cubierta(s) radiante(s).** Se usa sola en la configuración radiante para proteger el o los quemadores y ayudar a distribuir mejor el calor proveniente del o los quemadores.

#### Convertir a calor radiante

1. Retire la piedra volcánica y guárdela para volver a usarla en el futuro.
2. Retire la o las rejillas reticulares y guárdelas para reutilizarlas en el futuro si todavía están lo suficientemente porosas, de lo contrario, deséchelas.
3. Retire la o las cubiertas de piedra volcánica y guárdelas para volver a usarlas en el futuro.
4. Coloque la o las cubiertas radiantes sobre el o los tubos del quemador).

#### Convertir a piedra volcánica

1. Retire la o las cubiertas radiantes y guárdelas para volver a usarlas en el futuro.
2. Coloque la o las cubiertas de piedra volcánica sobre el o los tubos del quemador.
3. Coloque la o las rejillas reticulares en su lugar.
4. Coloque la piedra volcánica sobre la o las rejillas reticulares y extiéndala de manera uniforme.

### Cura del equipo al calor

1. Gire la o las perillas de control de gas al ajuste máximo.
2. Deje que la parrilla se caliente y cure durante unos 30 minutos.

**AVISO:** Puede notar que sale humo durante este calentamiento inicial, lo cual es normal.

3. Gire las perillas de control de gas a la posición de apagado (OFF).

### Acondicionamiento de las rejillas de la parrilla

1. Deje que la parrilla se enfríe o caliente a una temperatura de calentamiento de aproximadamente 200 °F.
2. Frota aceite de cocina, manteca, sebo de res o similares en las rejillas de la parrilla con un paño limpio.

3. Caliente la parrilla a nivel medio alto y déjela funcionar durante aproximadamente 30 minutos.
4. Coloque el o los selectores de quemador en el ajuste más bajo y deje que la parrilla se enfríe y se estabilice a fuego lento.
5. Elimine el exceso de aceite y limpie con un paño.
6. Repita el proceso; aceite, caliente durante 30 minutos, enfríe y limpie con un paño.



## FUNCIONAMIENTO

	<b>ADVERTENCIA</b> <b>Peligro letal de incendio</b> Si huele gas siga las instrucciones proporcionadas por el proveedor de gas. No toque ningún interruptor eléctrico; no trate de encender el quemador; no use un teléfono en las inmediaciones.
	<b>PRECAUCIÓN</b> <b>Peligro de quemaduras</b> Las superficies y comidas calientes pueden quemar la piel. Deje que las superficies calientes se enfríen antes de manipularlas. No vierta ni derrame agua sobre la superficie de cocción pues ello provocará salpicaduras.

**CONSEJO:** Coloque las rejillas de la parrilla en forma angular. Esto permitirá que los líquidos escurran por las rejillas al interior de la bandeja de goteo, lo cual reducirá las inflamaciones.

1. Verifique que la bandeja de goteo esté en su lugar. Agregue agua a la bandeja de goteo. El vapor de agua que se eleva desde la bandeja de goteo y a través de la cámara de combustión ayudará a reducir las inflamaciones.
2. Aplique una ligera capa de aceite y limpie las rejillas con un paño a fin de eliminar los contaminantes que se hayan acumulado o infiltrado de la parrilla y/o el perímetro desde el último uso, y obtener así una superficie de cocción antiadherente y limpia.
3. Gire las perillas de control de gas para encender el o los quemadores principales. Ajuste la o las perillas hasta el nivel deseado.
4. Precaliente las rejillas de la parrilla durante 15 minutos.
5. Cocine el alimento.
6. Vacíe periódicamente la bandeja de goteo para que no se rebose. Revise la bandeja de goteo con frecuencia y agregue agua según sea necesario.
7. No permita que se acumule aceite ni grasa en las rejillas de la parrilla. Limpie con un paño las rejillas para evitar la acumulación de carbón que puede afectar el rendimiento de la parrilla.

## LIMPIEZA

	<b>PRECAUCIÓN</b>
	<b>Peligro de quemaduras</b> Las superficies y comidas calientes pueden quemar la piel. Deje que las superficies calientes se enfríen antes de manipularlas. No vierta ni derrame agua sobre la superficie de cocción pues ello provocará salpicaduras.

Para evitar inflamaciones, conservar su aspecto hermoso y prolongar su vida útil, limpie diariamente el equipo.

**AVISO:** No lo limpie con lana de acero.

**AVISO:** No utilice productos químicos ni jabones de limpieza ya que pueden ser absorbidos por la superficie de cocción y afectar el sabor de los alimentos. Si es necesario, use solamente agua limpia, aceite y/o un desengrasante apto para alimentos para el proceso de limpieza.

**AVISO:** No permita que la o las rejillas se queden sin acondicionar o sin una capa delgada de aceite de cocer para evitar la corrosión.

### Diariamente

1. Mientras las rejillas estén calientes (aproximadamente 300 °F), use un cepillo o un ladrillo para parrillas a fin de limpiarlas.
2. Inspeccione las rejillas y determine si es necesario reacondicionarlas. Si no es necesario, aplique una capa fina de aceite de cocina a las rejillas para evitar la corrosión.
3. Deje que la parrilla se enfríe.
4. Retire, vacíe y limpie la bandeja de goteo.
5. Limpie el exterior de la unidad.

### Semanalmente o más a menudo si es necesario


#### Barras radiantes

1. Retire las barras radiantes.
2. Revíselas por si están desgastadas. Pida repuestos si están desgastadas.  
**AVISO:** No opere la parrilla con barras radiantes desgastadas, ya que se reducirá el rendimiento de la parrilla y se pueden producir inflamaciones.
3. Lave las barras radiantes en agua jabonosa tibia.
4. Seque totalmente las barras radiantes.
5. Coloque las barras radiantes en la parrilla.

#### Piedra volcánica

1. Invierta las piedras volcánicas. Esto permitirá que se queme toda grasa que se haya acumulado encima de las piedras.
2. Inspeccione la rejilla reticular por si está desgastada. Pida un repuesto si lo está.  
**AVISO:** No opere la parrilla si las rejillas están desgastadas, ya que se reducirá el rendimiento de la parrilla y se pueden producir inflamaciones.
3. Inspeccione las piedras por si están desgastadas. Vollrath recomienda reemplazar las piedras cuando la superficie ya no esté porosa. Finalmente, la ceniza y los contaminantes taponarán los orificios y la piedra volcánica ya no captará los goteos ni los convertirá en humo. En lugar de ello, los goteos escurrirán y crearán el riesgo de inflamaciones.

## MANTENIMIENTO PREVENTIVO

	<b>ADVERTENCIA</b>
	<b>Peligro de incendio, lesiones o la muerte</b> Póngase en contacto con un técnico calificado para que realice ajustes, mantenimiento o reparaciones. Este artefacto no tiene piezas que puedan ser reparadas por el usuario.

Una empresa de servicio técnico calificada debe revisar anualmente que la unidad funcione en forma segura y eficaz. Póngase en contacto con el representante de la fábrica o la empresa de servicio local para que realice el mantenimiento y las reparaciones.

## SOLUCIÓN DE PROBLEMAS

Problema	Podría deberse a	Curso de acción
Olor a gas.	Causa desconocida.	Apague la válvula de suministro principal, ventile el área, llame a un agente de servicio calificado.
El quemador no enciende.	El quemador piloto no está encendido.	Espere 5 minutos para permitir que el gas se disipe, luego encienda el quemador piloto.
La superficie de cocción humea excesivamente.	La superficie de cocción no está limpia.	Deje que la superficie de cocción se enfríe y límpiela mientras esté caliente; luego acondicione la superficie.
La superficie de cocción está demasiado caliente.	Ventilación insuficiente.	Cerciórese de que haya un espacio mínimo de 6" (15,2 cm) en todos los lados del equipo.
Calentamiento superior desigual en la superficie de cocción.	Ventilación insuficiente.	Cerciórese de que haya un espacio mínimo de 6" (15,2 cm) en todos los lados del equipo.
El quemador no funciona correctamente.	Orificio contaminado.	Comuníquese con un agente de servicio autorizado para que le dé servicio al quemador.

Esta página se dejó en blanco intencionalmente.

---

## SERVICIO Y REPARACIÓN

---

En Vollrath.com encontrará las piezas que puedan ser reparadas.

Para evitar lesiones o daños materiales graves, no trate de reparar la unidad ni reemplazar un cable eléctrico por su cuenta. No envíe las unidades directamente a The Vollrath Company LLC. Pida instrucciones a los Servicios de asistencia técnica de Vollrath.

Al comunicarse con los servicios, esté listo para proporcionar el número de artículo, número de modelo (si corresponde), número de serie y el comprobante de compra que muestre la fecha en que adquirió la unidad.

---

## CLÁUSULA DE GARANTÍA DE THE VOLLRATH CO. L.L.C.

---

Esta garantía no se aplica a los productos adquiridos para uso personal, familiar ni doméstico, y The Vollrath Company LLC no ofrece una garantía por escrito a los compradores para dichos usos.

The Vollrath Company LLC garantiza los productos que fabrica o distribuye contra defectos en materiales y fabricación, según se especifica en nuestra cláusula de garantía completa. En todos los casos, la garantía rige desde la fecha de compra original del usuario final que aparece en el recibo. La garantía no cubrirá ningún daño que resulte del uso indebido, abuso, modificación o daños causados por el embalado incorrecto durante la devolución para obtener servicio de reparación dentro del período de vigencia de la garantía.

Para obtener información de garantía, inscripción de productos y anuncios de productos nuevos, visite [www.vollrath.com](http://www.vollrath.com).



Outperform every day.™

[www.vollrath.com](http://www.vollrath.com)

---

### The Vollrath Company, L.L.C.

1236 North 18th Street  
Sheboygan, WI 53081-3201 EE. UU.  
Tel. principal: 800.624.2051 ó 920.457.4851  
Fax principal: 800.752.5620 ó 920.459.6573  
Servicio al cliente: 800.628.0830  
Servicio al cliente en Canadá: 800.695.8560

Servicios de asistencia técnica:  
[techservicereps@vollrathco.com](mailto:techservicereps@vollrathco.com)  
Productos de inducción: 800.825.6036  
Productos de calentamiento para mostrador:  
800.354.1970  
Todos los demás productos: 800.628.0832