

VIVOHOME

**THANK
YOU!**

NOTE:

To continuously improve its products, VIVOHOME reserves the right to modify this information without prior notification.

For any questions regarding assembly, please watch the video on the product page or contact our customer service. Our customer service will gladly assist you with any additional questions, comments, or concerns.

Thank you for using VIVOHOME products in your home!

Thank You for Purchasing from

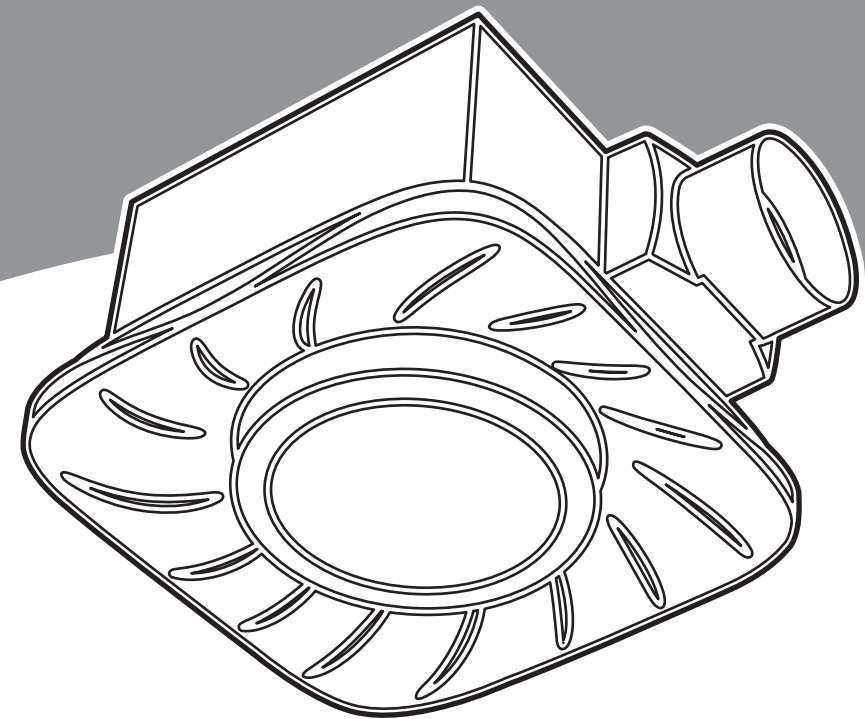
VIVOHOME

Made in China

VIVOHOME

HOW-TO

USER MANUAL



**Bathroom Ventilation
Fan with Light**

Assembly is EASY!

**WE WANT
YOU TO
ENJOY LIFE
AT HOME**

GO TO THE PRODUCT LISTING PAGE FOR
AN INSTRUCTIONAL VIDEO!

CONTENTS

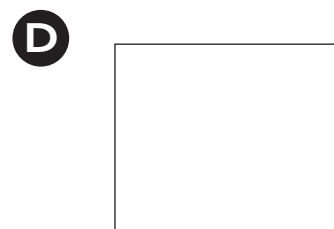
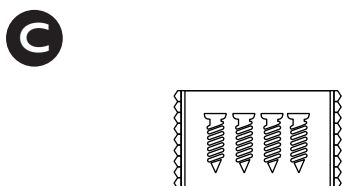
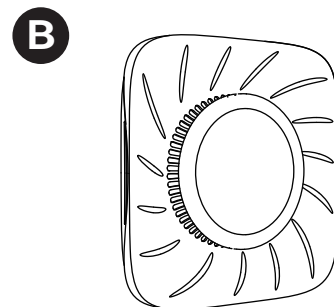
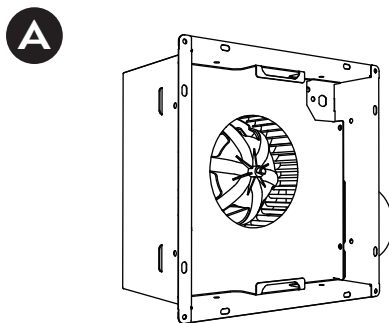
Product Specifications	1
Packing List	1
Security Information	3
Pre-installation Preparation	4
Installation Instruction	7
Care and Cleaning	11
Troubleshooting	12
Warranty	13

Product Specifications



Product Specifications	
Airflow: 111 CFM	Motor power consumption: 45W
Noise: 37 dB	LED light color (CCT): 6000K Cool White
Voltage: 100-120 V, 50/60 Hz	LED Power consumption: 10.8W
Tube diameter: 4 In	LED life: 30,000 Hours
LED light brightness: 900 Lumens Dimmable	

Package List



Part	Description	Quantity
A	Fan Cover	1
B	Grille / Light	1
C	Wood Screws	1
D	Paperboard	1

Before attempting assembly, read and understand the entire manual before operating or installing the product.

1. Always disconnect the power supply or junction box before performing any maintenance on the fan or motor.
2. The optimal voltage for use of the product is 120 volts, 60 Hz.
3. The product must be properly connected to the power circuit.
4. Do not bend or knot the power cord.
5. Do not install on a ceiling with insulation greater than R40.
6. Install the vent pipe in a straight line to minimize any bends in the pipe.
7. Ensure that the vent pipe size matches the fan vent size exactly and is not reduced, as a smaller vent duct may result in increased fan noise.

Important Safety Information

1. For general ventilation use only. Do not use for venting hazardous or explosive materials and vapors.
3. Not intended for use in cooking areas.
4. To minimize the risk of injury, install the fan at a height of at least 7 feet (2.1 meters) above the floor.

Warning: To minimize the risk of fire, electric shock, or personal injury, please follow these precautions.

Operate this device according to the manufacturer's instructions. For any questions, contact Customer Service. Before servicing or cleaning the unit, turn off the power at the service panel and lock the service disconnect to avoid accidental power-up. If locking the service disconnect is not possible, attach a prominent warning device (such as a tag) to the service panel.

Installation and electrical wiring must be completed by qualified professionals, adhering to all relevant codes and standards, including those for fire-resistant construction.

Duct fans must be vented directly to the outdoors at all times.

If installing the unit over a bathtub or shower, ensure it is labeled for this application and connected to a branch circuit protected by a GFCI (ground fault circuit interrupter).

When installing this ventilation fan in a bathtub or shower, position it at least 3 feet 3-1/4 inches (1 meter) from the showerhead. Installing the fan within the shower stall is not recommended unless this minimum distance can be maintained.

SECTION C

Safety Information



Note: Turn off the power before installing this unit and keep it off until installation is complete. If the unit does not power on, please consult the troubleshooting section of the manual.

For further assistance, please contact us via email

SECTION D

Pre-assembly Preparation



Before starting assembly, verify that all parts are present by checking them against the package contents and hardware lists. Do not proceed with assembly, installation, or operation if any parts are missing or damaged. For replacement parts, please contact us via email.

Estimated Assembly Time: 60 minutes

Tools Required for Assembly (not included): Hammer, Flathead Screwdriver, Wood Screws, Duct Tape, Phillips Screwdriver, and either a Utility Knife or Drywall Saw.

Additional Tools Required (not included): Electric Drill and Drill Bits

Warning: Risk of Electric Shock! Ensure that the power to the electrical lines in the work area is turned off.

Before removing an existing fan or installing a new one, disconnect the fuse or switch off the circuit breaker.

Inspect the area above the installation site to confirm that wiring can be extended to the location, ductwork can be installed, and there is adequate space for proper ventilation.

Before beginning installation, inspect the ductwork and wiring. Ensure that access for future inspection and maintenance is prepared in a location that will not obstruct the installation process.

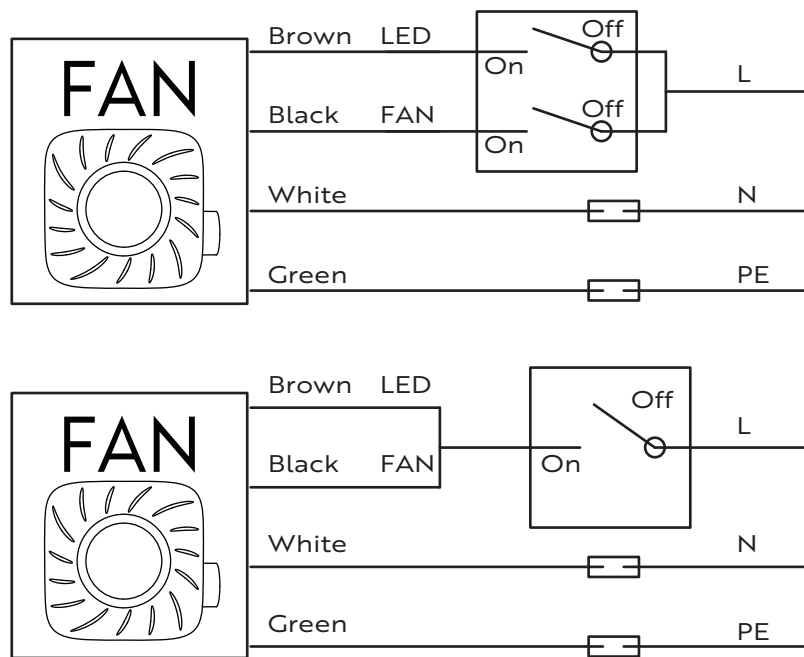
You may require assistance from a second person to install this fan.

Installation procedures may vary based on the previous setup. Note that not all supplies needed for installation are included, but most can be obtained from your local home improvement or hardware store.

Dimensions		
Ceiling Opening (4)	Ceiling Opening (W)	Ceiling Opening (W)
10.236 In.	9.45 In.	7.1 In.
Housing Size (L)	Housing Size (W)	Housing Size (W)
7-1/2 In.	7-1/4 In.	5-3/4 In.

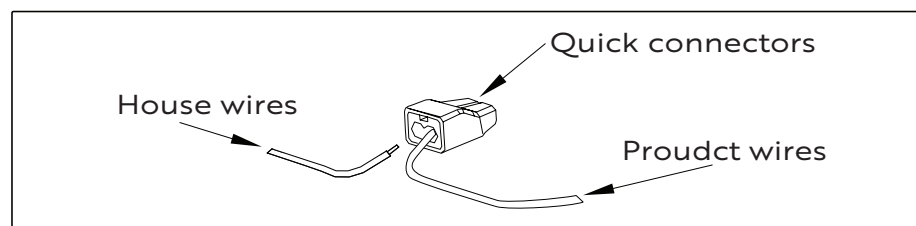
Wiring Installation

Ensure all wiring connections are complete to achieve full functionality. Avoid using metal wall plates with switches.



Warning: Ensure all wiring complies with applicable electrical codes. Always turn off the power before removing or installing connectors.

Warning: Use only copper wire connections. Do not use aluminum wire.



Note: Ensure that the accessories (quick connectors) adhere to the provided installation instructions.

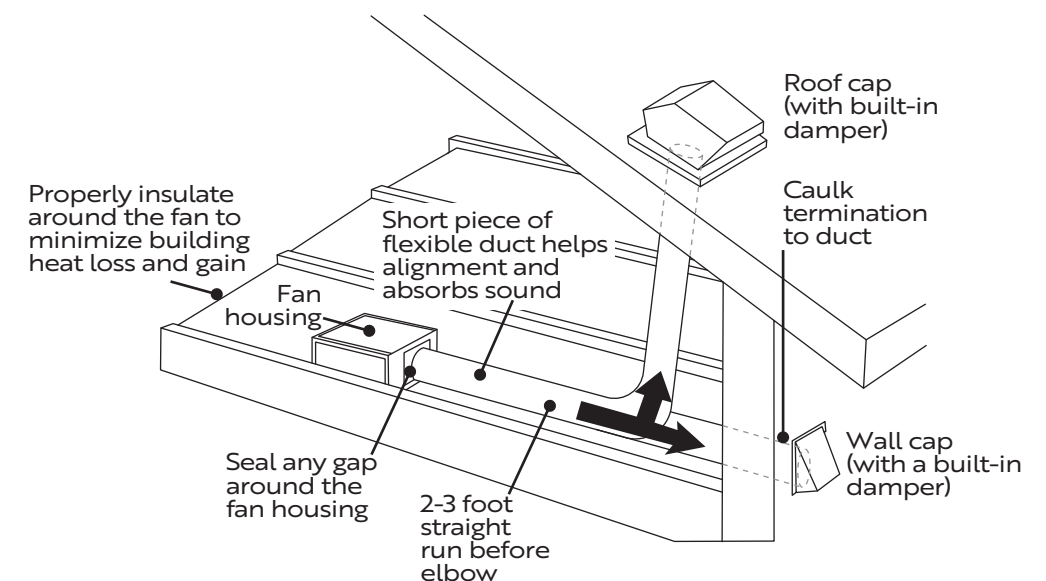
Note: Connectors may be reused on solid wire of the same diameter or smaller. Do not reuse connectors on stranded wire.

1. Strip the wire 3/8"- 1/2".
2. Hold the wire securely and insert the stripped end into the connector opening. Use only one wire per port.
3. Ensure that the stripped end of the wire is fully inserted into the back of the connector.

Caution: The maximum temperature rating for the wiring is 221°F (105°C). The wire is rated for 600V maximum in building wiring and 1,000V maximum for signs and light fixtures. Use only 12-18 AWG solid copper wire.

The ducting from the fan to the exterior of the building greatly affects airflow, noise, and energy efficiency. For optimal performance, use the shortest and straightest ducting possible and avoid using ducts with a diameter smaller than recommended for connecting the fan.

Typical Installation





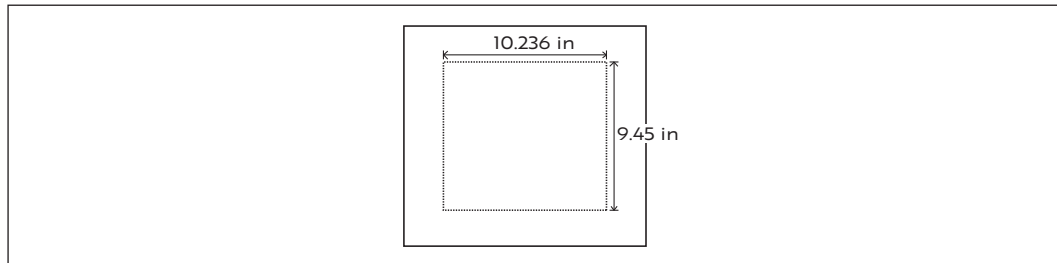
Before Installation

Installation of the fan housing in an existing building requires ducting and electrical circuits at the planned location.

Warning: Risk of Electric Shock! Ensure that the power to the electrical wiring in the work area is turned off. Remove the fuse or switch off the circuit breaker before removing an existing fan or installing a new one.

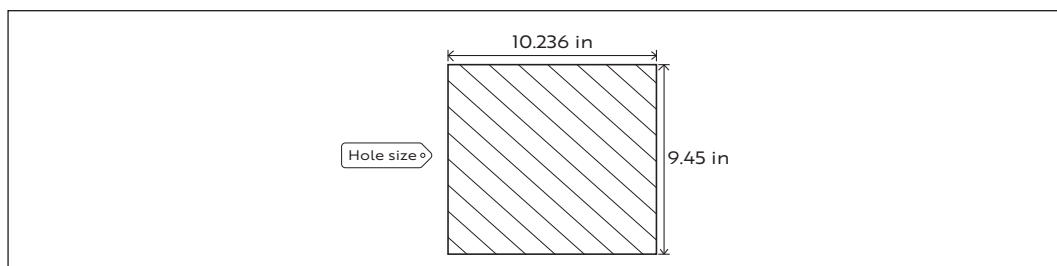
STEP 1:

Apply the opening sticker to the installation area, ensuring that the space is sufficiently large to fit the fan housing (10.236 in × 9.45 in).



STEP 2:

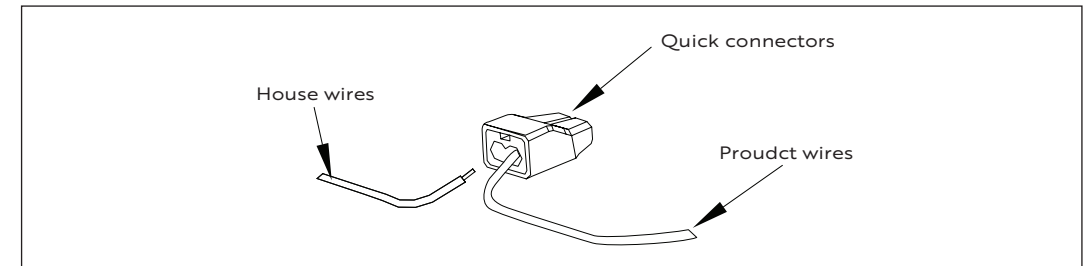
Please notch 10.236 in×9.45 in according to the size of the paper-board. (If you need to replace the old fan, please remove the old fan first to ensure the size of the opening and reinforce the perimeter of the opening.)



STEP 3:

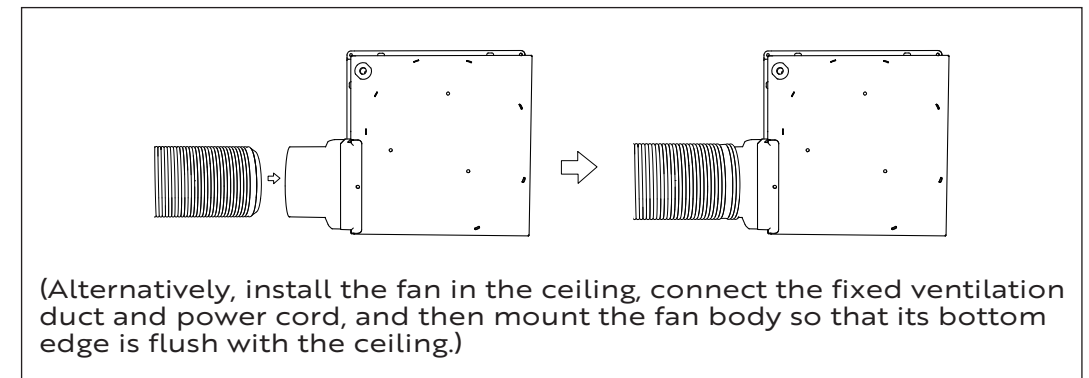
Connect the house wires using the quick connector according to the reference wiring diagram.

Note: If the wire colors do not match those listed, consult a licensed electrician to identify each wire's function before connecting the fan.



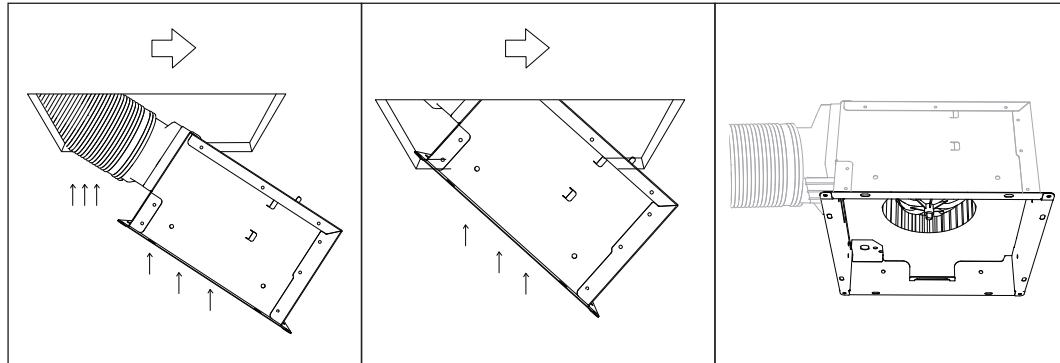
STEP 4:

Attach a 4" round vent pipe to the duct connector on the fan hood and secure it with duct tape or clips. Ensure the vent duct outlet is positioned outside the house.



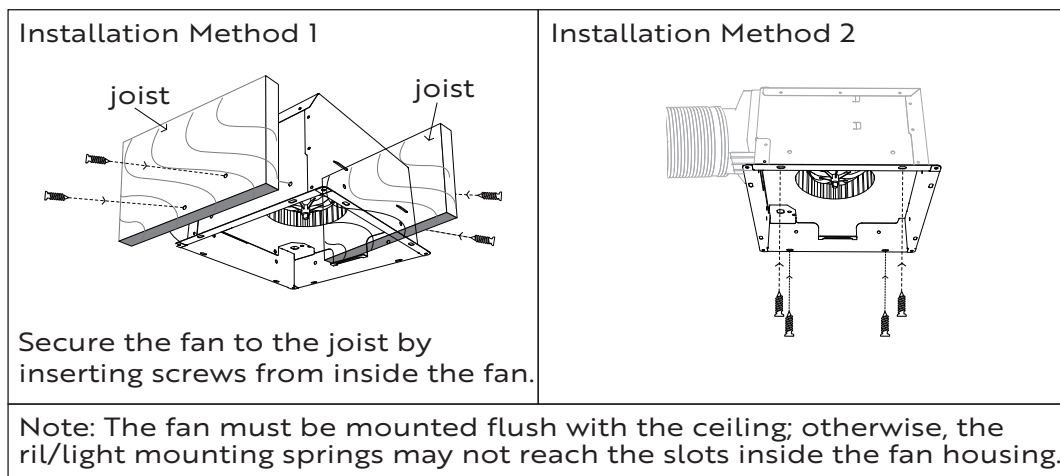
STEP 5:

With the wiring and ventilation ducts connected, insert the fan into the ceiling opening(as shown in the figure below), ensuring that the bottom edge of the fan is flush with the ceiling.



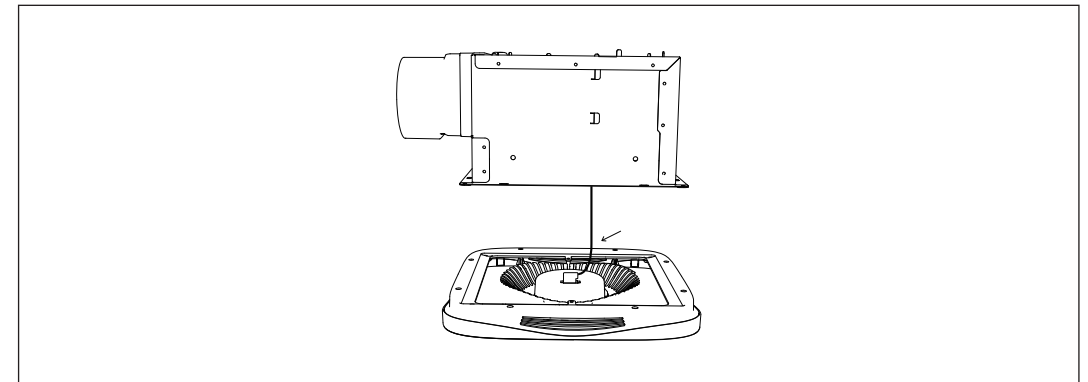
STEP 6:

For the first installation method, secure the fan to the joist (or wood panel frame) with four wood screws through the holes on either side of the fan. For the second method, attach the fan to the ceiling with four wood screws through the holes at the front of the fan.



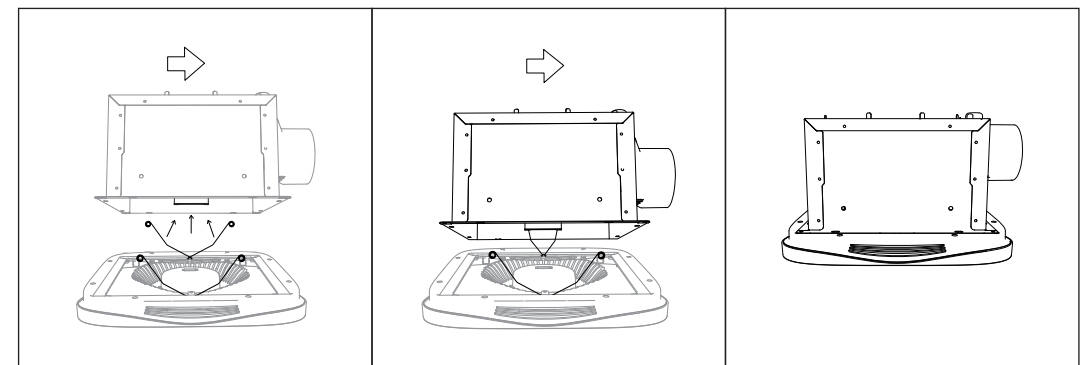
STEP 7:

Connect the LED light connector to the fan.



STEP 8:

To ensure proper operation, clamp the mounting spring and insert it into the narrow rectangular slot in the fan housing, then turn on the power to test.





Caution: Before cleaning the product, disconnect the power by turning off the circuit breaker or removing the fuse from the fuse box. Review the safety information before proceeding. Perform regular maintenance at least once a year.

1. Do not clean the fan with solvents, thinners, or harsh chemicals.
2. Do not allow water to enter the motor.
3. Do not immerse metal parts in water.
4. Do not immerse motor parts and lamps in water over 140°F.



Question	Possible Causes	Solutions
The fan is making an unusually loud noise.	The damper is either damaged or not functioning correctly.	Check the damper to make sure it opens and closes properly. If the damper is damaged, call Customer Service.
	The elbow in the ventilation duct is positioned too close to the exhaust fan outlet.	Ensure that there are no bends in the ducts articulated within 18 inches of the exhaust fan outlet that are too large in angle
	The ventilation ducts are under-sized.	Use the recommended size duct to reduce fan noise
	The exhaust fan installation is not securely fastened.	Make sure the fan is securely attached to the ceiling
Fans do not eliminate moisture from the room.	Insufficient incoming airflow inside the room	Ensure that doors and windows are slightly or fully open to facilitate air circulation in the room. Without adequate incoming airflow, the fan will not effectively draw air in and out of the room.
	Insufficient Airflow Note: Paper towels are not a reliable method for checking fan operation. If the fan effectively removes steam from the room within about 15 minutes after a shower, it is functioning correctly.	Ensure that the fan's CFM rating is appropriate for the square footage of your room.



The VIVOHOME warranty program is our commitment to you. We are committed to providing you with a high-quality product that meets your needs and expectations. To demonstrate our confidence in the durability and performance of our products, we offer the following warranty.

WARRANTY COVERAGE

This warranty program applies to any orders, purchases, receipts, or use of any products sold by VIVOHOME and is valid for a period of 1 year from the date of purchase. However, please note that this warranty period is only valid for the original order. If you receive a replacement order during the warranty period, it will not include a separate warranty period.

WARRANTY EXCLUSIONS

This warranty does not cover damage resulting from misuse, accident, unauthorized modification, or any other circumstances not directly related to the manufacturing and design of the product, including but not limited to:

- Parts lost during use.
- Normal wear and tear of products or parts.
- Incorrect installation (such as using the wrong voltage) or assembly.
- Exceeding the bearing capacity of the product.
- Use under extremely harsh conditions.



- Improper cleaning or maintenance.
- Damage caused by any reason other than the intended use of the product.
- Indirect loss or damage caused by the product.

HOW TO MAKE A WARRANTY CLAIM

If you find any defects that affect the use of the product or if the product stops working and cannot be repaired during the warranty period, please contact our customer service team at our email or via Amazon & app's direct messaging service as soon as possible. Provide the following information to expedite the process:

- Order number
- Images and/or videos illustrating the issue
- A detailed description of the problem

VIVOHOME will provide technical support, replacement, refund, or other solutions based on the nature of the issue. If you wish to return the original package for any reason, please contact us for confirmation before proceeding. You can expect to receive a response within 48 hours.

Thank you for choosing VIVOHOME. We are committed to ensuring the quality and satisfaction of your purchase. If you have any questions or need assistance, please do not hesitate to contact our customer service team.