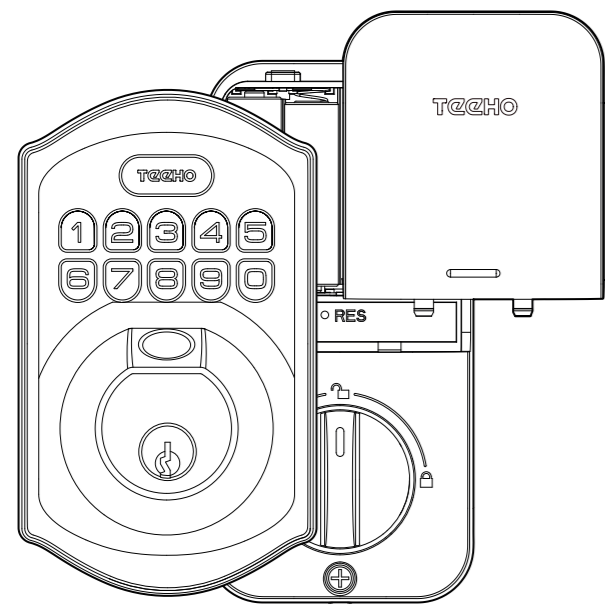
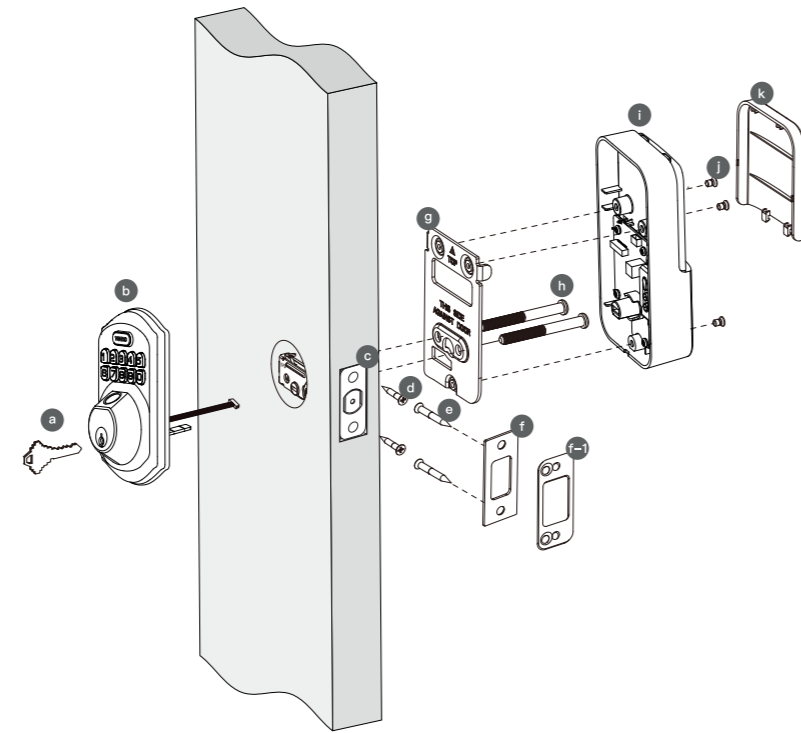


T@CHO

Installation Instructions

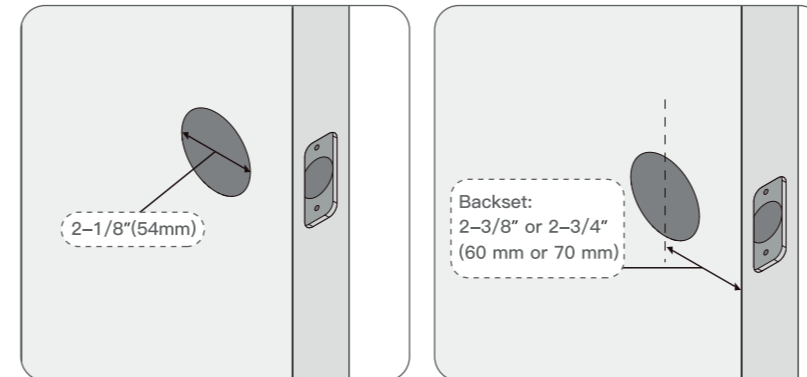


Parts List:



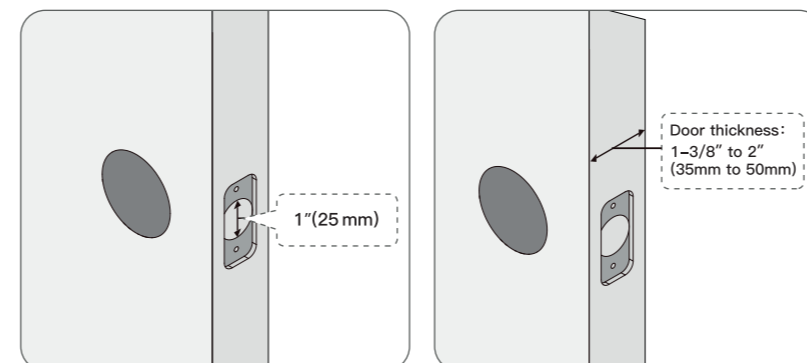
The details of part identification is shown on following page

1. Prepare the door and check dimensions



Measure to confirm that the hole in the door is 2-1/8" (54mm).

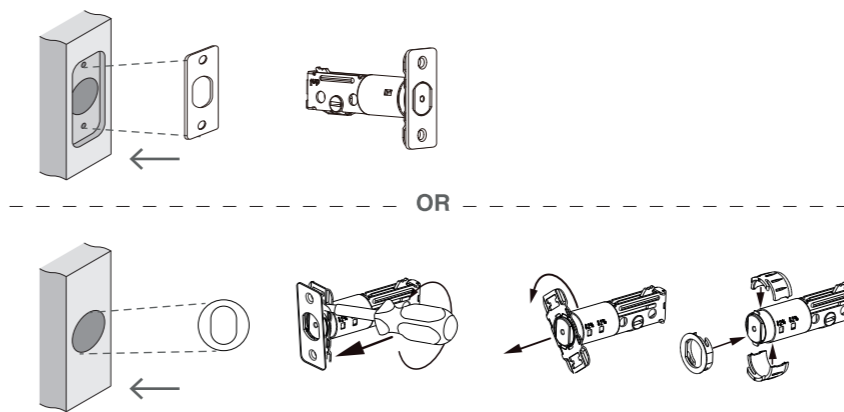
Measure to confirm that the backset is either 2-3/8" or 2-3/4" (60 or 70mm).



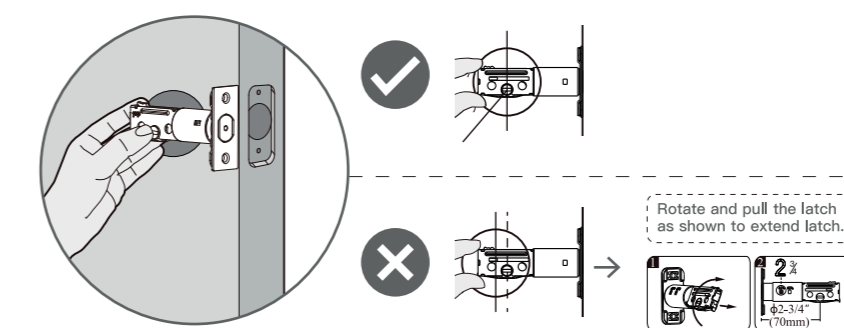
Measure to confirm that the hole in the door is 1" (25mm).

Measure to confirm that door thickness is between 1-3/8" and 2" (35mm to 50mm).

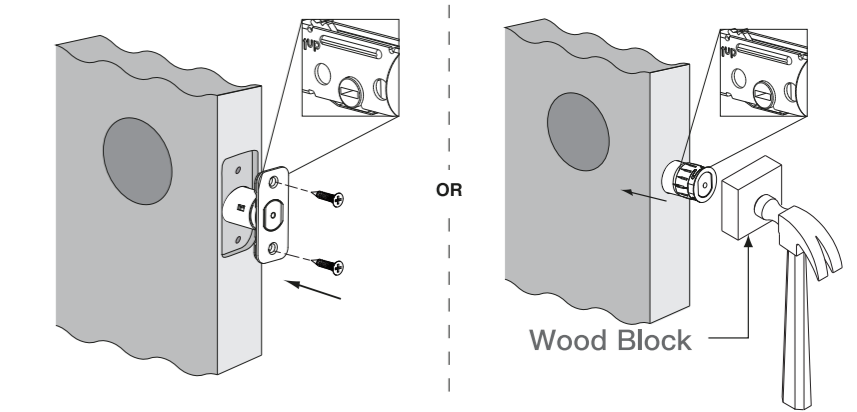
2. Choose faceplate



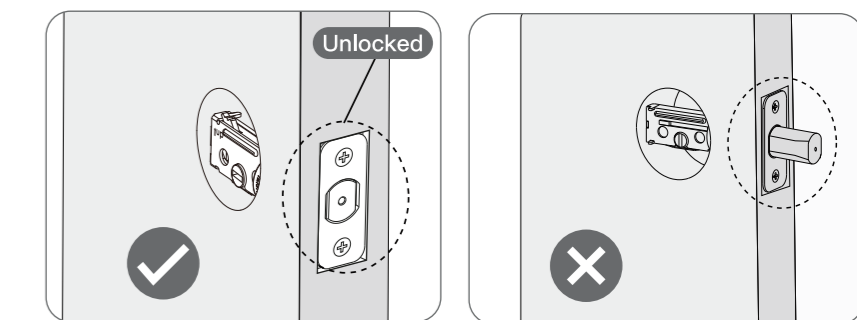
Is the slotted hole centered in the door hole?



3. Install latch and deadbolt



IMPORTANT: Keep the latch in unlocked position before installation.



! Before Installing the Lock, Check Door Jamb and Door Preparation

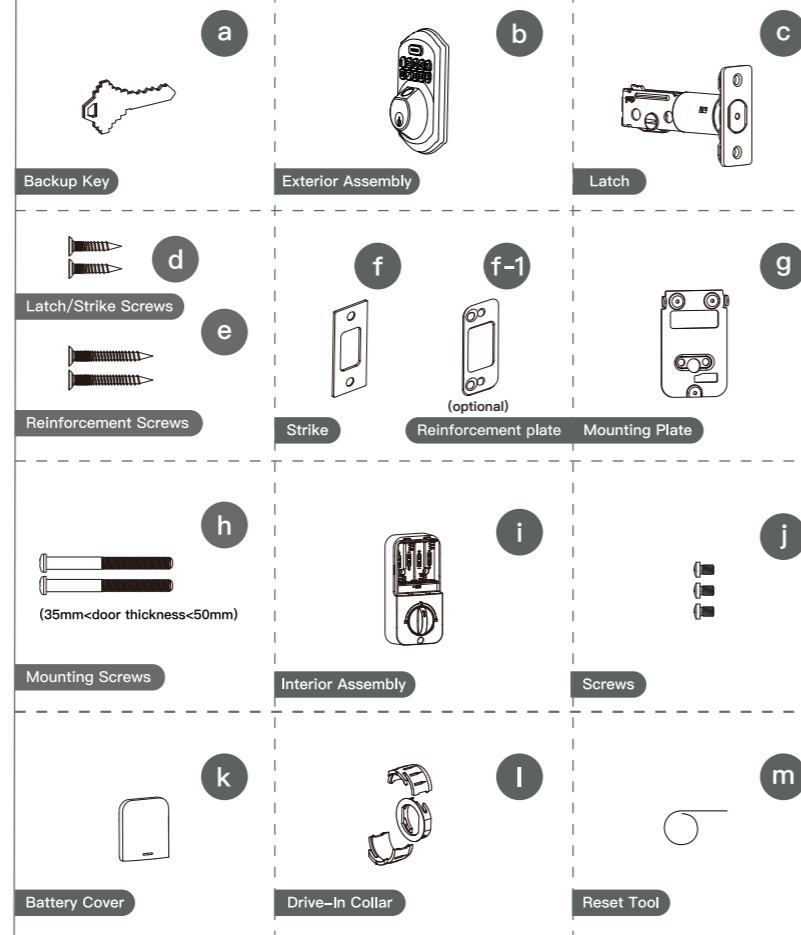
Door thickness : 1-3/8" to 2" (35mm to 50mm)

Backset: 2-3/8" or 2-3/4" (60 mm or 70 mm)

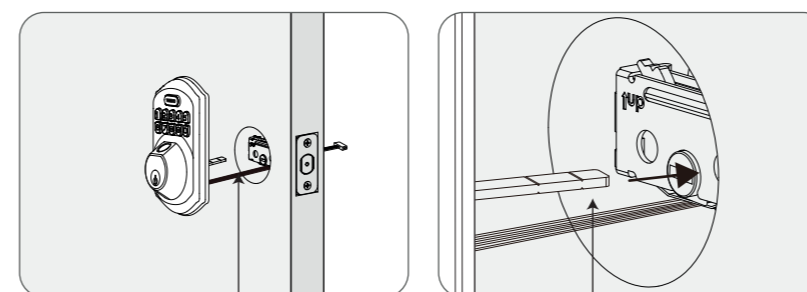
2-1/8" (54mm)

1" (25 mm)

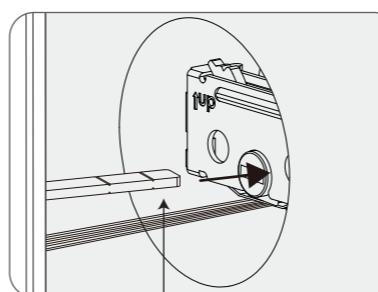
Parts identification



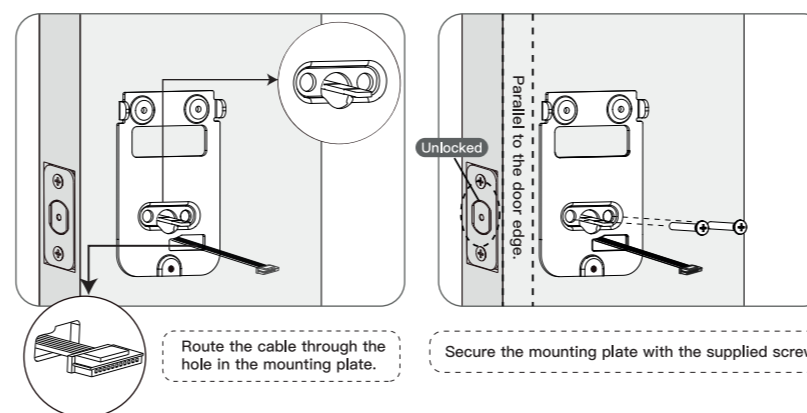
4. Install exterior assembly



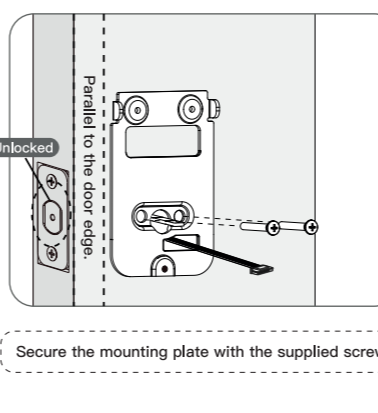
Route the cable below the latch.



IMPORTANT: Bolt must be in unlock position. Note horizontal orientation of torque blade.



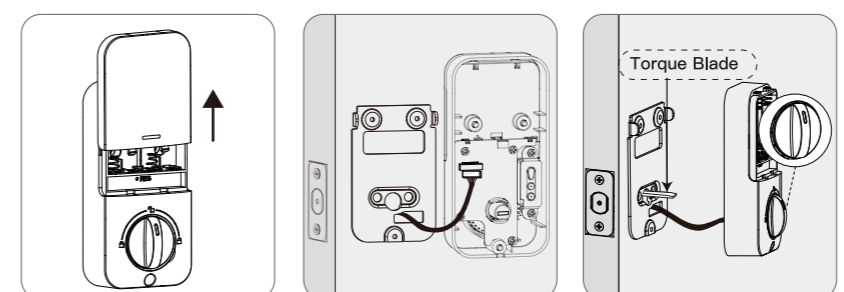
Route the cable through the hole in the mounting plate.



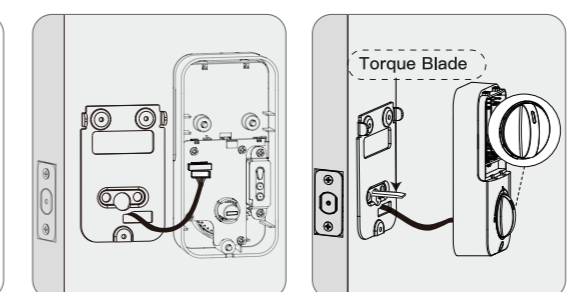
Secure the mounting plate with the supplied screws.

5. Install interior assembly

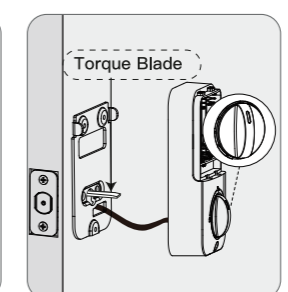
! Do not load batteries until lock is completely installed.



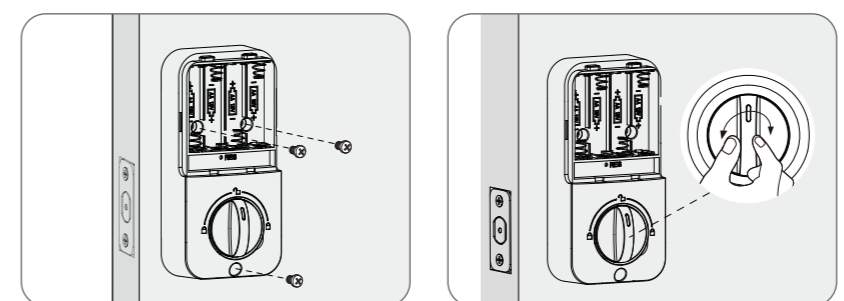
Remove the battery cover.



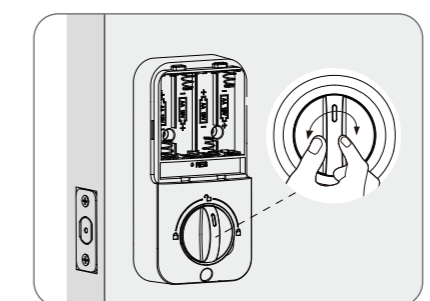
Connect the cable and ensure tight cable connection.



Rotate the Thumb turn in vertical position and insert the horizontal orientation of torque blade into the interior assembly lock switch.



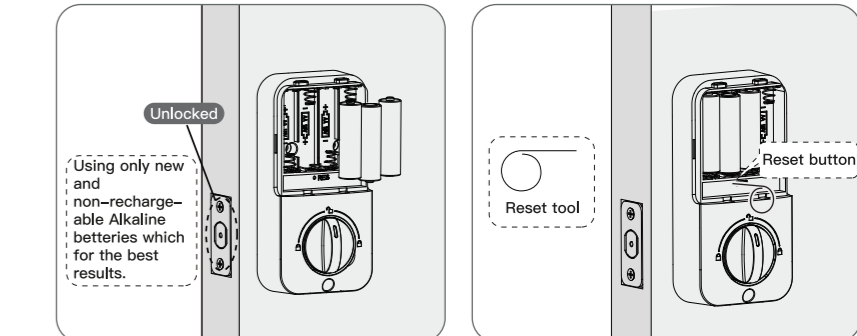
Secure the interior assembly with the supplied screws.



Test the lock by rotating the thumb turn to see if the bolt can be extended and retracted smoothly.

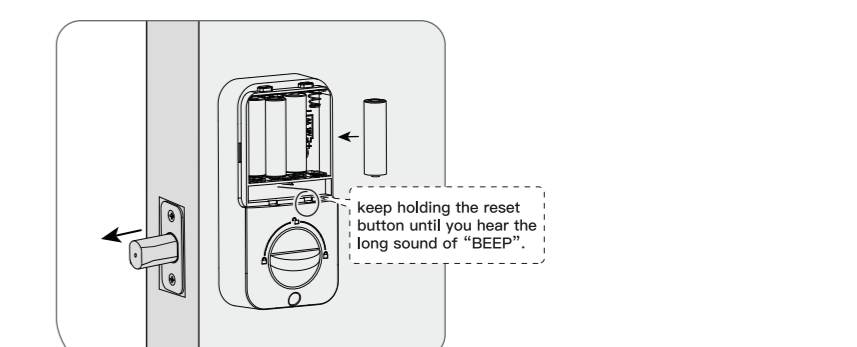
6. Detect left/right hand door installation

! **IMPORTANT:** This step is required and crucial for the lock after installation!



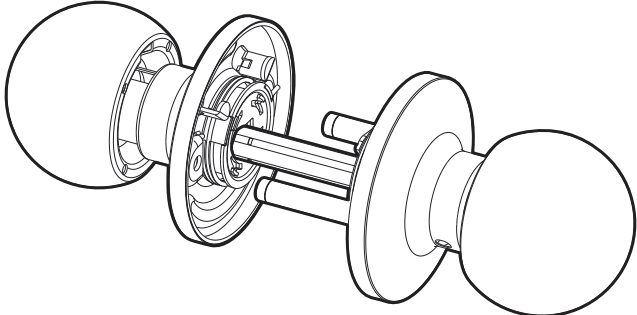
While the door is open and unlock, load 3AA batteries into the interior assembly.

Press and hold the reset button on the interior assembly using the reset tool provided in package.

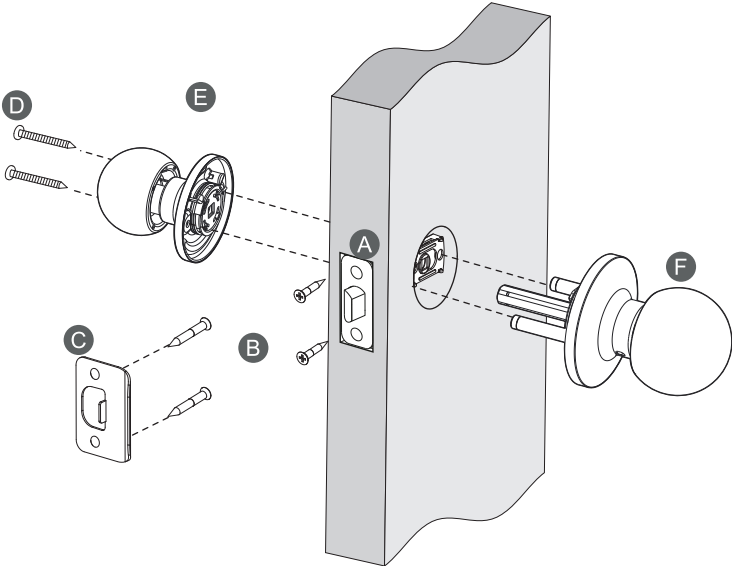


Keep holding the reset button, and load the last battery. Hold the reset button until you hear the long sound of "BEEP". The lock will automatically go into locking position. This is for the smart lock to memorize the orientation of the door.

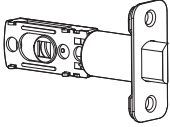
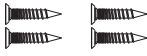

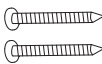
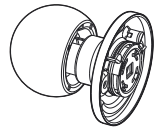
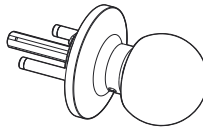
Installation Instructions of Knob



Thank you for purchasing our products. Please review this manual thoroughly before operating your device. All pictures in this manual are for illustration purpose only. Actual product may vary due to product upgrade.



Parts list

| | | |
|---|--|---|
| <p>A Latch x1</p>  | <p>B Latch & Strike screws x4</p>  | <p>C Strike x1</p>  |
| <p>D Mounting Screw x2</p>  | <p>E Rear Knob x1</p>  | <p>F Front Knob x1</p>  |

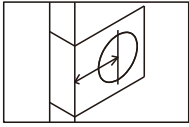
1. Prepare the door and check dimensions

If your door already has the holes shown in the picture below, proceed to the next step, if your door does not have holes, use the mounting template to drill a new hole.

Door thickness: 1-3/8" to 2" (35mm or 50mm)

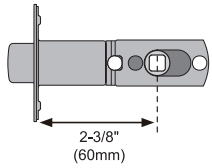
TOOL REQUIRED:   Do not use an electric screwdriver during installation.

2. Latch backset adjustment

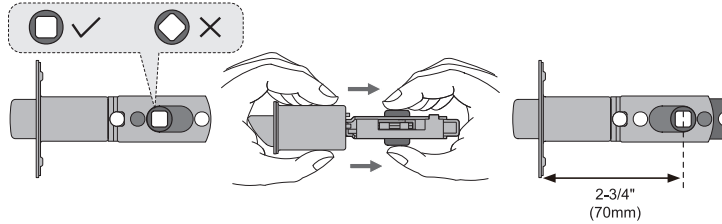


Backset is the distance from the door edge to the center of the hole in the door. The latch is provided with adjustable design which can fit either 2-3/8" (60mm) or 2-3/4" (70mm) backset.

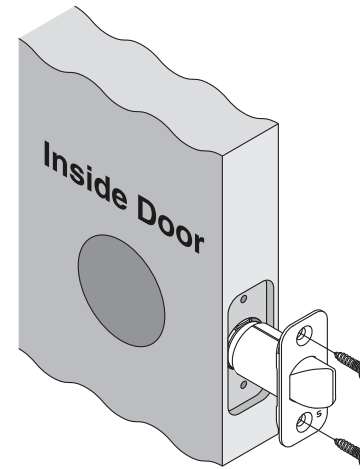
A. If the backset of your door is 2-3/8" (60mm), no need to adjust the latch.



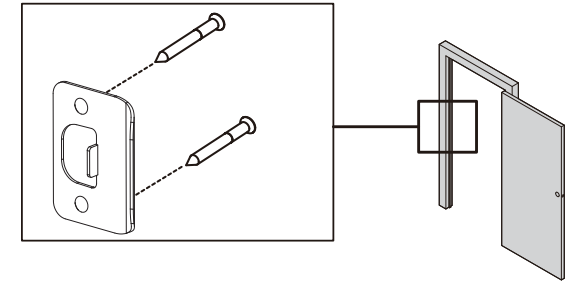
B. If the backset of your door is 2-3/4" (70mm), please adjust the latch.



3. Install latch and strike

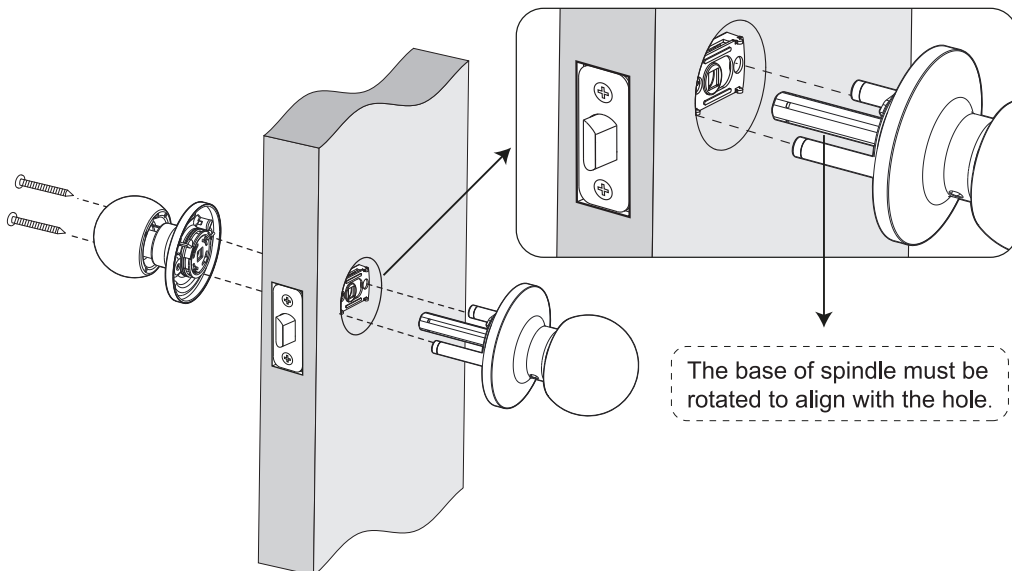


! IMPORTANT:
The latch should be aligned with the chiseled properly.



! IMPORTANT:
Make sure the hole in door frame is drilled a minimum of 1" (25mm) depth.

4. Install front and rear knob



5. Test the knob

Keep the door open, checking out front and rear lever to test if it works smoothly.

