

# 3-in-1 Portable Air Conditioner



## OWNER'S MANUAL

*Read and save these instructions.*



# READ AND SAVE THESE INSTRUCTIONS

## TABLE OF CONTENTS

Register Your Product Online.....	3
Safety Information & Warnings .....	4
Product Features.....	6
Assembly & Installation .....	9
Cleaning & Maintenance.....	11
Limited Manufacturer's Warranty .....	14

## SPECIFICATIONS

<b>MODEL NO.</b>	NAC08KWH00
<b>VOLTAGE:</b>	120V~
<b>FREQUENCY:</b>	60Hz
<b>POWER:</b>	900W
<b>DIMENSIONS:</b>	<b>Width:</b> 14.7 in <b>Depth:</b> 13.5 in <b>Height:</b> 26.9 in <b>Weight:</b> 46.3 lbs.
<b>COOLING AREA:</b>	200 sq. ft.
<b>BTU RATING:</b>	7,500 (ASHRAE)

## REGISTER YOUR PRODUCT ONLINE

### Register Your NewAir Product Online Today!

Take advantage of all the benefits product registration has to offer:



#### Service and Support

Diagnose troubleshooting and service issues faster and more accurately



#### Recall Notifications

Stay up to date for safety, system updates and recall notifications



#### Special Promotions

Opt-in for Newair promotions and offers

Registering your product information online is safe & secure and takes less than 2 minutes to complete:

[newair.com/register](https://newair.com/register)

Alternatively, we recommend you attach a copy of your sales receipt below and record the following information, located on the manufacturer's nameplate on the rear of the unit. You will need this information if it becomes necessary to contact the manufacturer for service inquiries.

**Date of Purchase:** \_\_\_\_\_

**Serial Number:** \_\_\_\_\_

**Model Number:** \_\_\_\_\_

## SAFETY INFORMATION & WARNINGS

### SAFETY PRECAUTIONS

**Please read the Manual carefully before operating the machine:**

- This unit is meant for household and indoor use only. Please place it in a dry environment.
- Check power cord frequently. If power cord, plug or A/C unit is damaged, please do not use.
- If the power cord is not long enough, an extension cord can be used. The cable should not be in an area where it could be pulled out accidentally, or where people might trip over it.
- This unit should be kept away from heat sources and out of direct sunlight.
- Turn off the unit before unplugging it.
- Turn off and unplug the A/C before removing or cleaning it, or before replacing its parts or storing it while not in use.
- Clean the A/C according to guidance provided in this manual.
- Only use a power source that matches the voltage requirement of this unit. Damage to the unit caused by an incorrect power supply is not covered under warranty.
- Children should not be allowed to play with or immediately around the unit. Cleaning and user maintenance should not be done by children without supervision.
- This appliance is not intended for use by persons (including children) with reduced physical, sensory or mental capabilities, or lack of experience and knowledge, unless they have been given supervision or instruction concerning use of the appliance by a person responsible for their safety.
- Do not insert your fingers or any object into the front grille of the unit or into an electrical outlet.
- Do not place the A/C in any location with water or other liquid nearby. Prevent water or other liquids from entering the A/C.
- Do not repair the A/C by yourself. Any possible hazard incurred by maintenance of laypeople will violate the warranty. If the power cord is damaged, it must be replaced by professional maintenance personnel.
- Only use the accessories provided by the A/C manufacturer; otherwise, the A/C may be damaged and damage may not be covered under warranty.

**Special warning:**

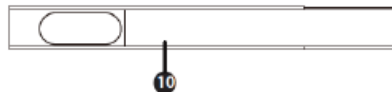
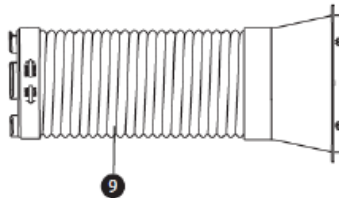
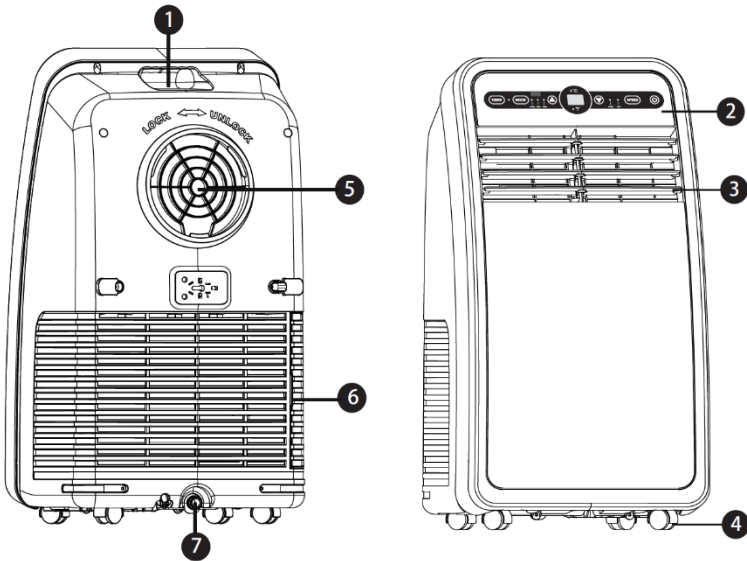
- Place the A/C on even ground and install it vertically to ensure normal operation of the compressor.
- The A/C should be at least 20 inches away from surrounding objects to allow for adequate air flow.
- Do not use the A/C near gasoline or any other flammable liquid.
- Do not use spraying agent or other solvents or flammable substances near the A/C; otherwise the product could be damaged.

**Power**

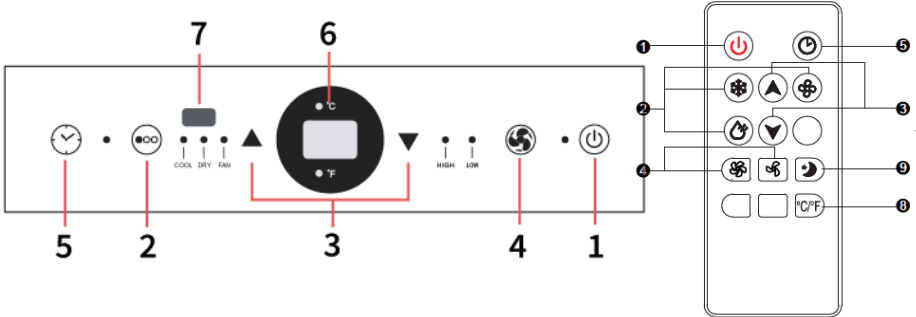
- The plug should be in good condition and free of damage. If the plug is damaged, do not attempt to repair it without professional help.
- In order to run the A/C, plug the power cord in first, and then press the power button to turn it on.

## PRODUCT FEATURES

1. Carrying Handle
2. Control Panel
3. Adjustable Front Grille
4. Casters
5. Exhaust Output
6. Air Intake
7. Moisture Drain Plug
8. Remote Control
9. Exhaust Duct
10. Window Sealing Plate



## CONTROL PANEL AND REMOTE CONTROL



### 1. Power button

Press this button to turn the unit on and off.

### 2. Mode button

Press this button to cycle between the 3 modes: cool (full A\C cooling with temperature setting), fan (just fan operation without any temperature setting) and dry (fan operation plus dehumidification). In dry mode, water will collect inside the unit, and must be drained by removing the plug from the bottom of the back of the unit. If the tank is full, "FL" will appear on the display to indicate that it needs to be drained. In dry mode, the unit will stay on low fan speed, and maintain a temperature of 62 degrees.

### 3. Temperature buttons

Press these buttons to increase and decrease the set temperature. Press these buttons simultaneously to switch the temperature setting between Fahrenheit and Celsius. This can also be switched by pressing the C/F button on the remote control.

### 4. Speed button

Press this button to switch between the two fan speeds, high and low.

### 5. Timer Button

Press this button to set the unit to turn off after a specified amount of time. Pressing this button while the unit is turned off will allow you to set the unit to turn on after a specified amount of time. The timer can be set anywhere between 1 and 14 hours.

### 6. Time/Temperature Display

This window displays the set temperature, or the set time while using the timer function.

**7. Remote control sensor**

Point the remote control toward this sensor when using it.

**8. Temperature mode button**

Press this button on the remote to switch between Fahrenheit and Celsius on the temperature display window. This can also be switched by pressing the temperature control buttons on the main control panel simultaneously.

**9. Sleep button**

In cooling mode, you can press this button to enter sleep mode, which will decrease the fan speed over time and eventually shut off.

---

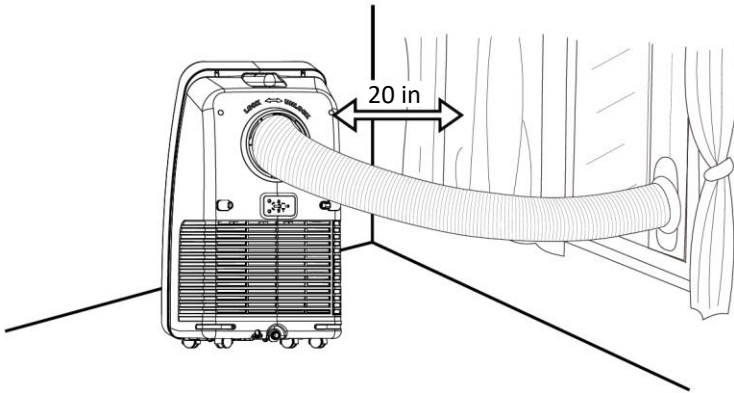
**ERROR DETECTION**

This unit has built-in error detection. If you see an error code show on the screen (E1, E2, E4) please contact customer service and notify them of which code your unit is showing. If the code is E1 or E2, you will need your unit repaired professionally, as the temperature sensor is likely damaged. E4 means the internal temperature of the unit is too low, so the A/C will be shut off until the unit warms up again. If you see the E4 code, please turn off the unit and wait at least one hour before attempting to use it again.

## ASSEMBLY & INSTALLATION

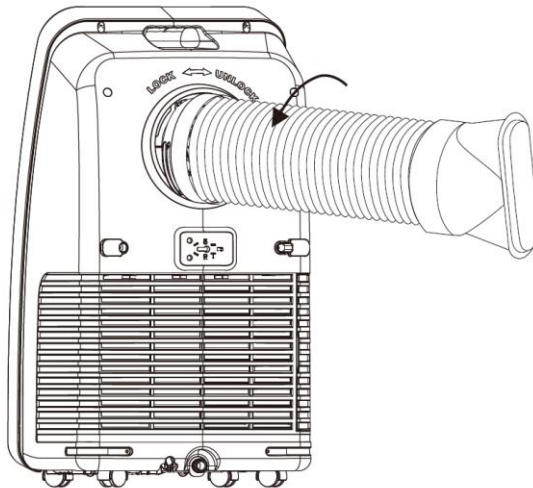
### 1. Placement

Place the unit on an even floor and in a dry place, and keep it at least 20 inches away from any other surrounding objects, e.g., walls, curtains, etc.

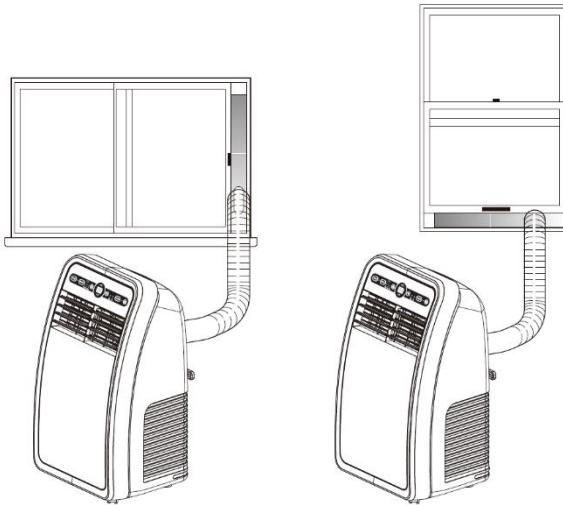


### 2. Installation

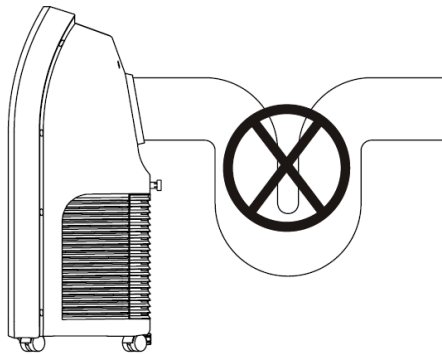
Screw the exhaust duct into the exhaust opening on the back of the unit (counterclockwise). The exhaust hose extends up to 59 inches.



Insert the exhaust hose into the window sealing plate, and adjust the opening of the window so that the sealing plate fits in the window properly. (Note that the length of the sealing plate is adjustable)



Ensure that the exhaust hose remains as straight as possible. A bent or curved exhaust hose will not work efficiently.



**Warning:**

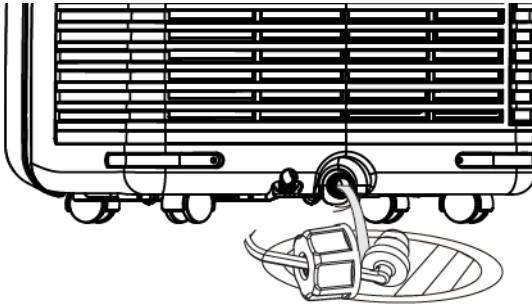
This exhaust duct is designed specifically for this unit. Do not replace it or attempt to modify it, as it may cause the unit to malfunction.

## CLEANING & MAINTENANCE

### DRAINING THE WATER TANK

This unit is equipped with an automatic water vaporization system. The condenser is cooled through the circulation of condensing water to improve cooling efficiency and energy conservation.

If the tank is full, “FL” will appear on the display to indicate that it needs to be drained. Turn off the unit, remove the drain plug on the bottom of the back of the unit, and drain the tank until empty. Replace the plug and turn the unit back on to resume use.



### MAINTENANCE

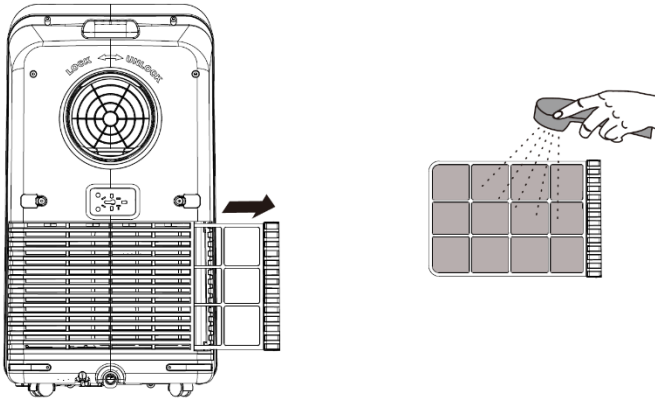
Notice: To avoid electric shock, please turn off and unplug the unit before maintenance or repair.

#### CLEANING

- Unplug before cleaning.
- Clean the outside of the unit with a soft, damp cloth. Do not use chemical agents such as benzene, alcohol, gasoline, etc. Doing so can damage the unit and void your warranty.
- Prevent any water or other liquids from getting inside the unit.

## DUST FILTER

- Once every two weeks, remove the dust filter from the back of the unit and wash it. Neglecting to clean the dust filter may cause the unit to run poorly over time.



## SEASONAL CLEANING

If you are planning on putting the unit away long-term:

- Pull the drain plug to drain any water left in the tank.
- Run fan mode for 2 hours to help dry any collected moisture within the unit
- Turn off the unit and unplug it
- Wash and replace the dust filter
- Take apart the exhaust duct.
- Cover the unit and the exhaust duct pieces with something to keep dust out.

## TROUBLESHOOTING

In case of any of the following problems, please contact a Newair™ authorized repair facility.

ISSUE	CAUSE	SOLUTION
The A/C doesn't work	Unit is not plugged in	Plug the unit in
	The display panel displays "FL"	Restart the A/C after powering off and draining, then it will return to normal
	The timer was set, and the unit shut off	Restart the unit 3 minutes after it automatically shuts off
The A/C starts up too frequently	The unit is in direct sunlight	Move the unit out of direct sunlight
	Too many doors/windows are open; a heat source is affecting the unit	Close doors and windows, remove any heat sources placed too close to the A/C
	Dust filter is dirty	Clean the dust filter
	Air intake or exhaust output are clogged	Remove the exhaust tube and check for any blockage
The unit is making too much noise	The unit isn't placed on a level surface	Place it on even and firm ground, avoid shaking

**Notice:** For any issues not listed here that arise while using the A/C, turn the unit off and unplug it, wait a few minutes, and try again. If problems persist, contact customer service.

## LIMITED MANUFACTURER'S WARRANTY

This appliance is covered by a limited manufacturer's warranty. For one year from the original date of purchase, the manufacturer will repair or replace any parts of this appliance that prove to be defective in materials and workmanship, provided the appliance has been used under normal operating conditions as intended by the manufacturer.

### **Warranty Terms:**

During the first year, any components of this appliance found to be defective due to materials or workmanship will be repaired or replaced, at the manufacturer's discretion, at no charge to the original purchaser. The purchaser will be responsible for any removal or transportation costs.

### **Warranty Exclusions:**

The warranty will not apply if damage is caused by any of the following:

- Power failure
- Damage in transit or when moving the appliance
- Improper power supply such as low voltage, defective household wiring or inadequate fuses
- Accident, alteration, misuse or abuse of the appliance such as using non-approved accessories, inadequate air circulation in the room or abnormal operating conditions (extreme temperatures)
- Use in commercial or industrial applications
- Fire, water damage, theft, war, riot, hostility or acts of God such as hurricanes, floods, etc.
- Use of force or damage caused by external influences
- Partially or completely dismantled appliances
- Excess wear and tear by the user

### **Obtaining Service:**

When making a warranty claim, please have the original bill of purchase with the purchase date available. Once confirmed that your appliance is eligible for warranty service, all repairs will be performed by a Newair™ authorized repair facility. The purchaser will be responsible for any removal or transportation costs. Replacement parts and/or units will be new, re-manufactured or refurbished and is subject to the manufacturer's discretion. For technical support and warranty service, please email [support@newairusa.com](mailto:support@newairusa.com).

[newair.com](http://newair.com)