



# Trimaran

## Installation Manual

Model: 59608 Matte Silver  
59609 Matte Black  
59610 Fresh White  
51481 Premier Bronze  
Fan weight  $\pm 2$  lbs: 18.7 lbs (8.5 kg)

*Hunter*  
©2022 Hunter Fan Co.  
PG3791 r032221

The ceiling fan you purchased will provide comfort and performance in your home or office for many years. This instruction manual contains complete instructions for installing and operating your fan. We are proud of our work and appreciate the opportunity to supply you with the best ceiling fan available anywhere in the world.

## We are here to help!

This Instruction Manual is designed to make installation as simple as possible. While working through this Instruction Manual, keep your smartphone or tablet nearby. We have added video links to help you through the more technical sections. If you are unfamiliar or uncomfortable with wiring, contact a qualified electrician. We also provide telephone support at 1.888.830.1326 or visit us at HunterFan.com.



**READ and SAVE These Instructions**

**⚠ WARNING**



### Warning

- w.1 - To reduce the risk of fire, electrical shock, or personal injury, mount fan directly from building structure and/or an outlet box marked acceptable for fan support of 70 lbs (31.8 kg) and use the mounting screws provided with the outlet box.
- w.2 - To avoid possible electrical shock, before installing or servicing your fan, disconnect the power by turning off the circuit breakers to the outlet box and associated wall switch location. If you cannot lock the circuit breakers in the off position, securely fasten a prominent warning device, such as a tag, to the service panel.
- w.3 - To reduce the risk of electric shock, this fan must be installed with an isolating wall control/switch.
- w.4 - To reduce the risk of personal injury, do not bend the blade brackets when installing the blade brackets, balancing the blades, or cleaning the fan. Do not insert foreign objects in between rotating fan blades.

### Caution

- c.1 - All wiring must be in accordance with national and local electrical codes ANSI/NFPA 70. If you are unfamiliar with wiring, use a qualified electrician.
- c.2 - Use only Hunter replacement parts.

This product conforms to UL Standard 507.



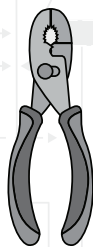
Here are the tools you'll need to complete your installation:



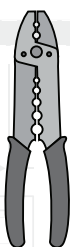
Ladder



Screwdriver



Pliers



Wire Strippers

#### OPTIONAL

If mounting to a support structure, you will also need these tools.



Drill



9/64" Drill Bit

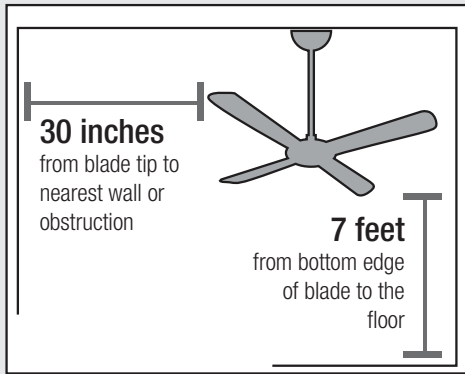
© 2022 Hunter Fan Company  
7130 Goodlett Farms Pkwy, Suite 400  
Memphis TN 38016



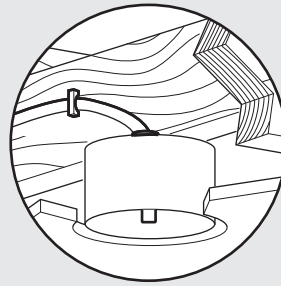
# Choosing the Right Installation Location

You probably bought this fan with a location in mind. Let's check below to make sure it is a good fit.

## Check the room dimensions:



## Check the outlet box:



You must be able to secure the fan to building structure or fan-rated outlet box.

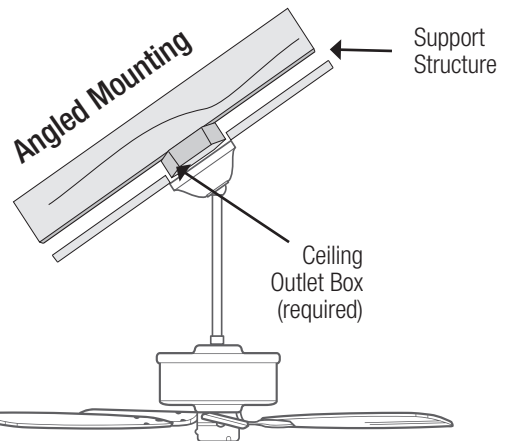
## Checking the Ceiling Angle:

### Standard Mounting



#### If you have a flat ceiling:

Hang your fan by a standard downrod. Some fans come with a shorter downrod for a Low Profile installation.



#### If you have an angled or vaulted ceiling:

1. You will need a longer downrod. (sold separately at [HunterFan.com](http://HunterFan.com))
2. If your ceiling angle is greater than 34°, you will also need an Angled Mounting Kit. (Sold separately at [HunterFan.com](http://HunterFan.com))

## Angled Mounting

### A little more information on Angled Mounting:

For optimum performance and appearance, a longer downrod should be used with your Hunter ceiling fan when installing on high or angled ceiling. If your ceiling is angled greater than 34° you will also need an Angled Mounting Kit. Longer downrods and the Angled Mounting Kit are sold separately at [HunterFan.com](http://HunterFan.com).

### Hunter Pro Tip:

#### Determining if you need an Angled Mounting Kit:

Fold on the dotted line. Place against edge against the wall. Slide towards the ceiling.

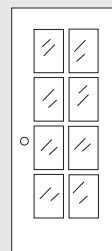
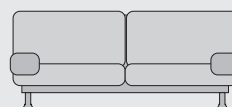
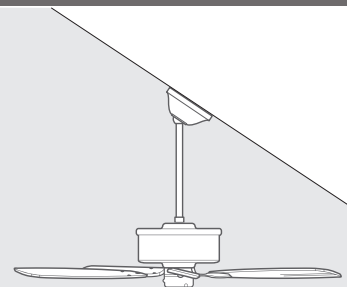
If the guide touches the wall but not the ceiling, you need an angled mounting kit.



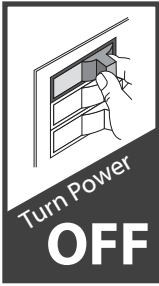
WALL

34°

CEILING

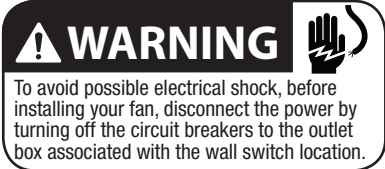
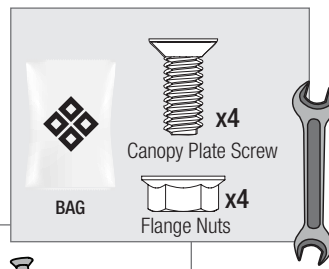


## Preparing the Ceiling Bracket

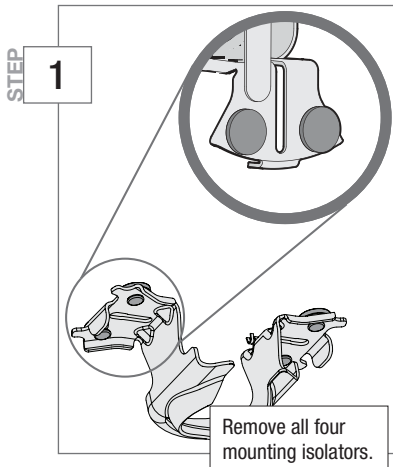


### Do this first!

To avoid possible electrical shock, before installing your fan, disconnect the power by turning off the circuit breakers to the outlet box associated with the wall switch location.

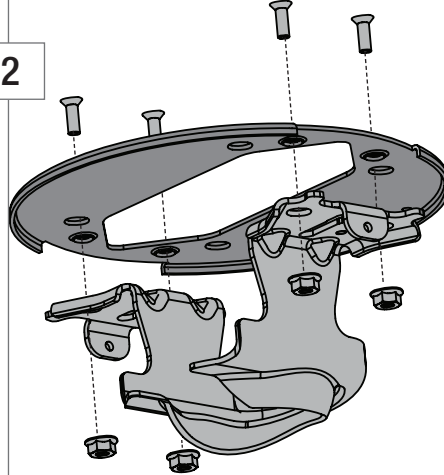


To avoid possible electrical shock, before installing your fan, disconnect the power by turning off the circuit breakers to the outlet box associated with the wall switch location.



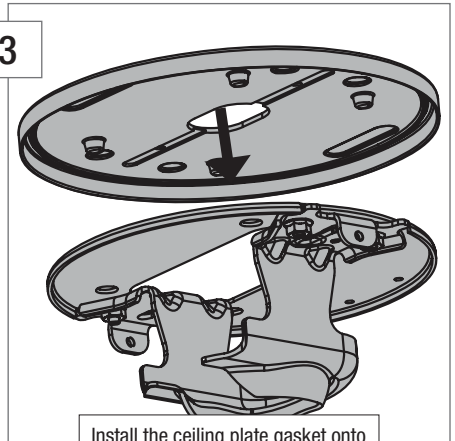
Remove all four mounting isolators.

STEP 2



Align the tapered mounting holes in the ceiling plate with the holes in the ceiling bracket. Install the four ceiling plate screws found in the hardware bag and secure with the flange nuts using an 11/32" wrench. Hold the ceiling bracket assembly up to the outlet box and mark the screw locations. To mount to support structure, also mark the ceiling for drilling pilot holes.

STEP 3



Install the ceiling plate gasket onto the ceiling plate. The four holes in the ceiling plate should lineup with the four posts in the gasket.

## Installing the Ceiling Bracket

You have two options for installation. Pick which one works best for your location. Remove any existing bracket prior to installation. Only use the provided Hunter ceiling bracket that came in your fan's box.

### Hunter Pro Tip:

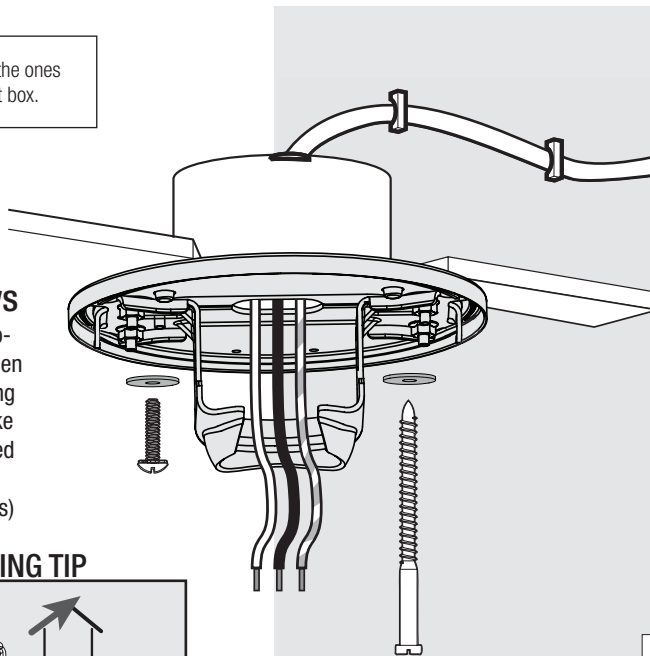
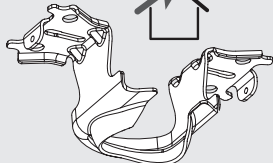
The machine screws are the ones that came with your outlet box.

### Option 1: Machine Screws

Use machine screws (provided with outlet box) when securing to existing ceiling fan-rated outlet box. Make sure it is securely installed and is acceptable for fan support of 31.8 kg (70 lbs) or less.

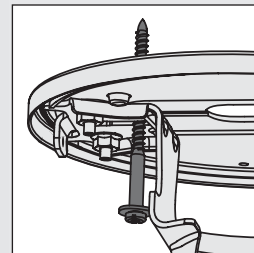
### ANGLED MOUNTING TIP

For angled ceilings, point opening toward peak.



### Option 2: Wood Screws

Use wood screws (included) when securing to support structure with approved electrical outlet box. Drill 9/64" pilot holes in support structure to aid in securing ceiling bracket with hardware found in the hardware bag.



Use the wood screw to poke holes through the rubber gasket in order to install the ceiling bracket assembly to your support structure or ceiling fan-rated outlet box.



Washer



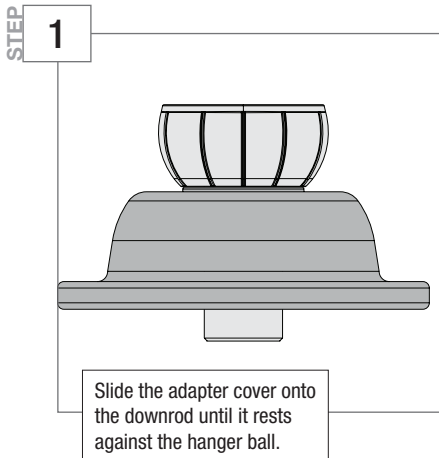
BAG



Wood Screw

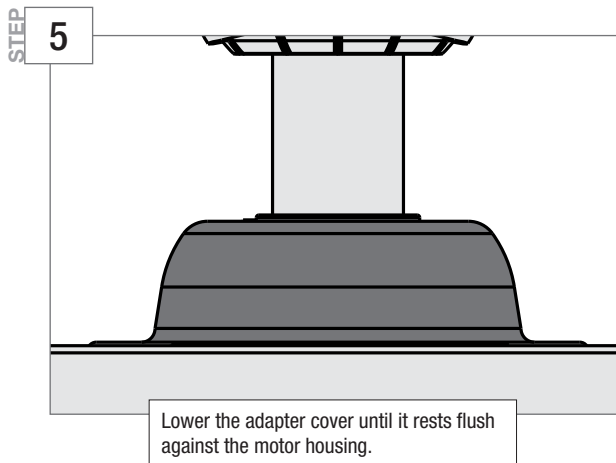
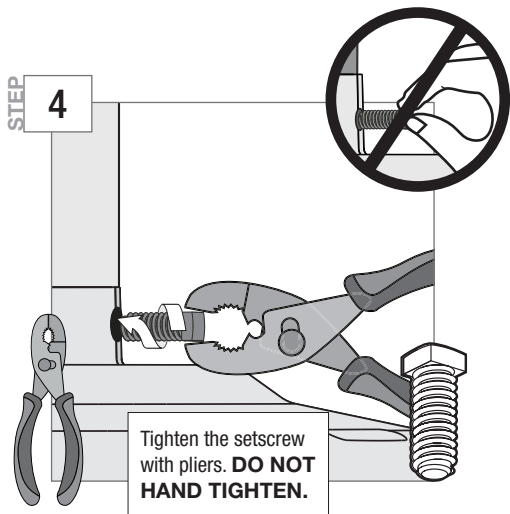
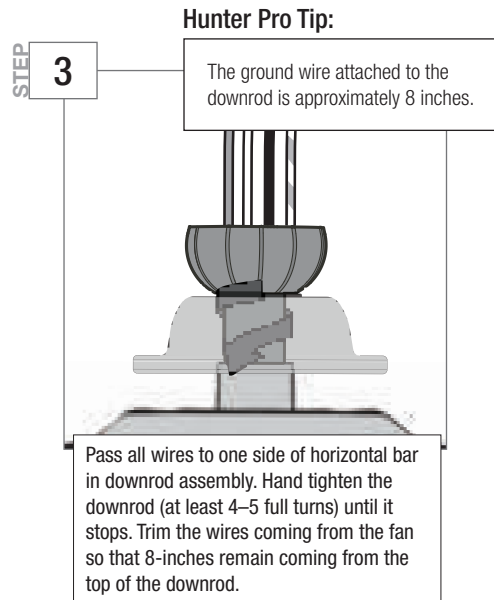
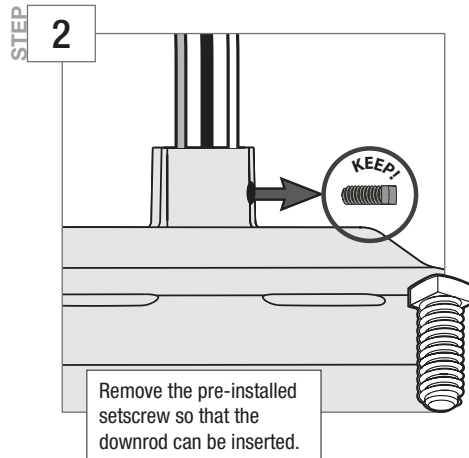
## Installing the Downrod

Follow below if you are using the downrod that came pre-assembled in your box. Need to install a longer or shorter downrod? Check out the guide at the end of this manual.



### Hunter Pro Tip:

The adapter cover is not used for low-profile mounting.

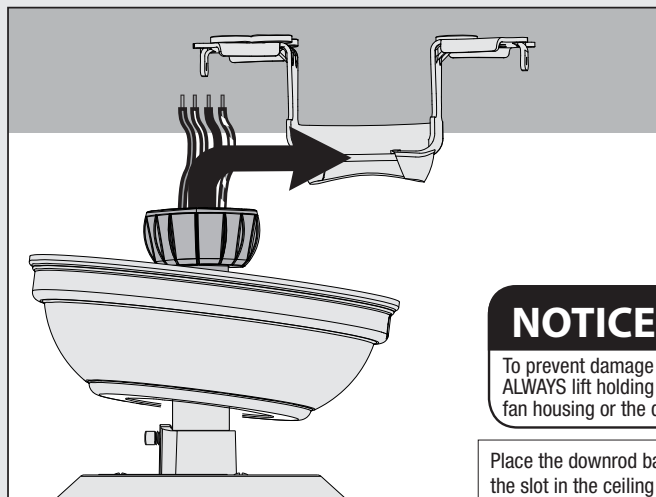
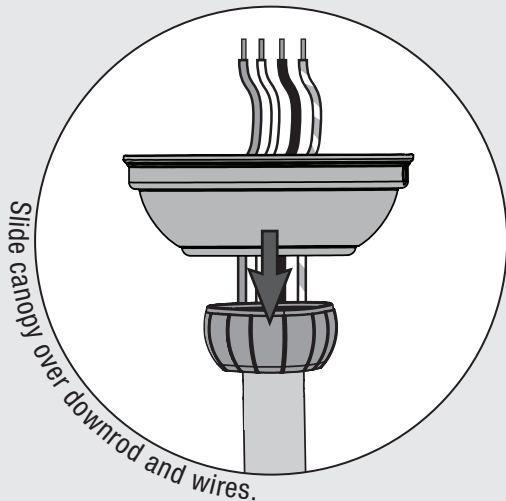


**⚠ WARNING**

**FAN FALL HAZARD**  
To prevent **SERIOUS INJURY** or **DEATH**:

- **ALWAYS** tighten setscrew with pliers.
- **DO NOT** hand tighten setscrew.
- **CHECK** the setscrew is tight using pliers each time you change fan direction.

## Hanging the Fan




# Wiring the Fan

**We know wiring is hard. Let's make it easier.**

Follow these steps to get your fan wired quickly and safely. Follow the route below that best matches your wall switch setup. If you are unfamiliar with wiring or uncomfortable doing it yourself, please contact a qualified electrician.

You are going to need these:

4 Wire Nuts (these are in the  bag)

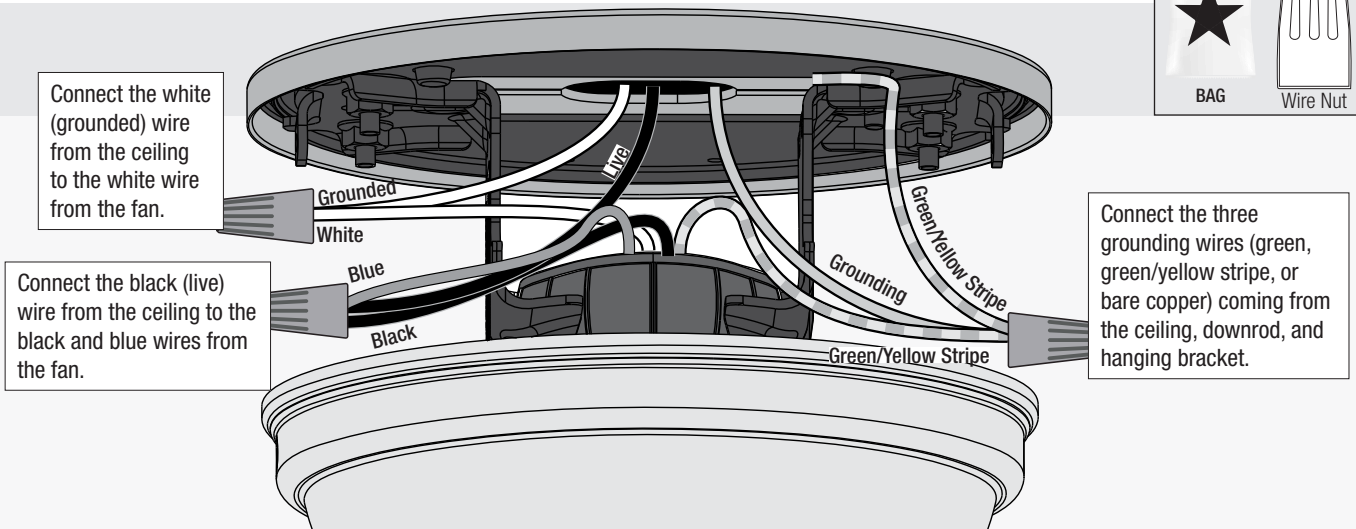
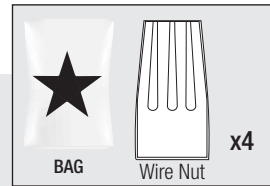


**Have a single switch?**  
Follow these steps:

**Hunter Pro Tip:**


**Here is how to connect the wires:**

Push the bare metal ends of the wires together and slide a wire nut over them. Then, twist the wire nut clockwise until tight. Give it a gentle pull to make sure none of the wires are loose.



**⚠ WARNING** 

The ceiling fan must be grounded. If the ground wire for the installation site is not present, immediately **STOP** installation and consult a qualified electrician.

**⚠ WARNING** 

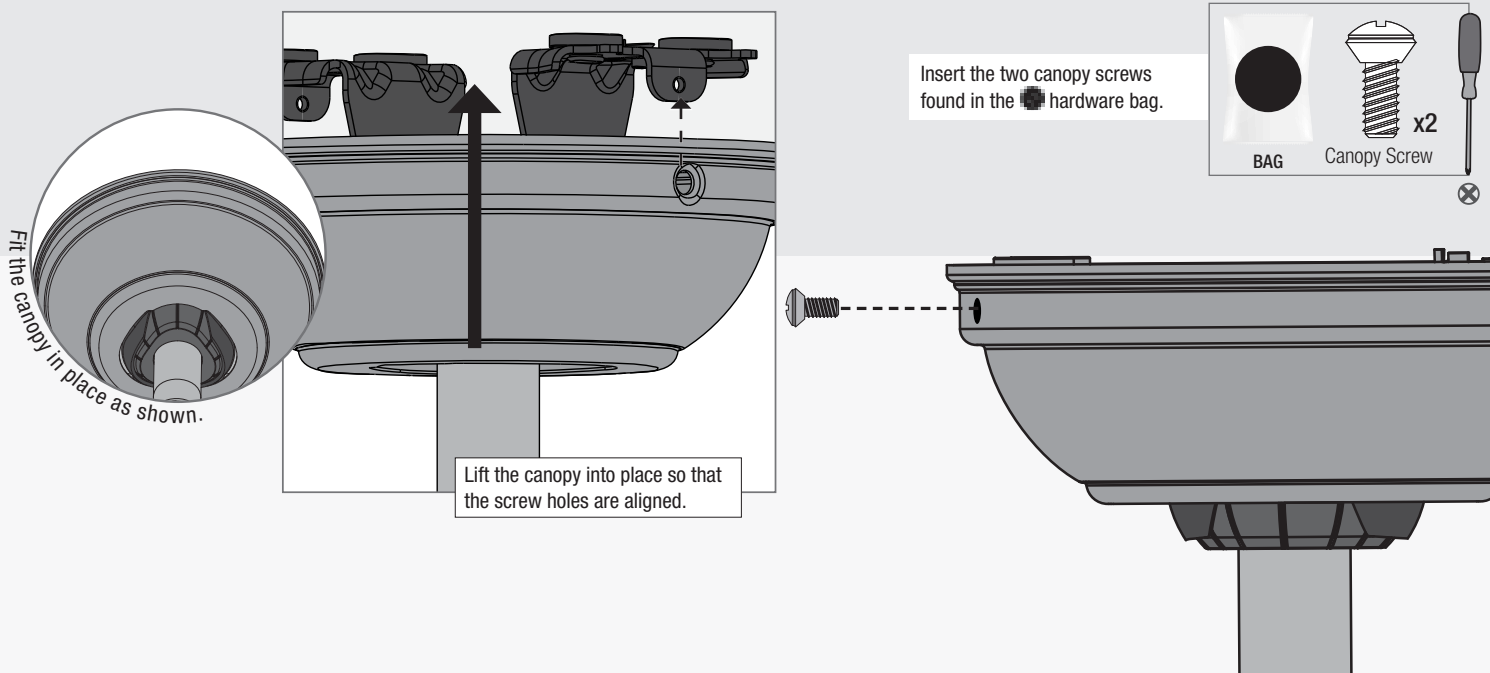
All wiring must be in accordance with national and local electrical codes ANSI/NFPA 70. If you are unfamiliar with wiring or in doubt, consult a qualified electrician.

**Hunter Pro Tip:**

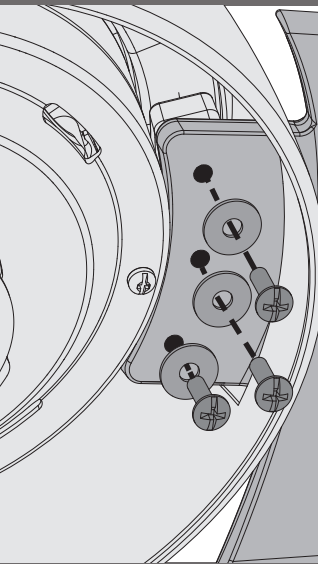
**Have extra wiring?**

Turn the wires upward and push them carefully back through the hanger bracket into the outlet box. Make sure that the wires are still attached to the wire nuts.

## Installing the Canopy

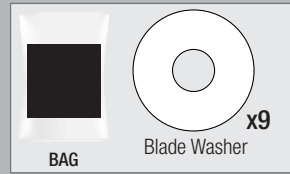
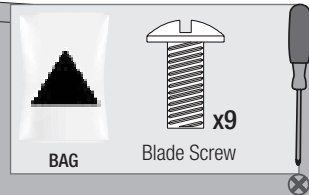


## Installing the Blades



Put the blade washers found in the ■ hardware bag onto the blade screws found in the ▲ hardware bag. Then install the blade screws to secure each blade to the fan.

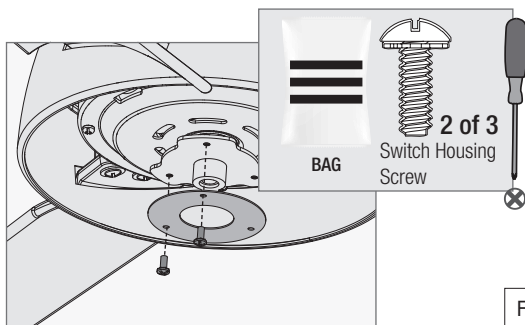
**Repeat x3**



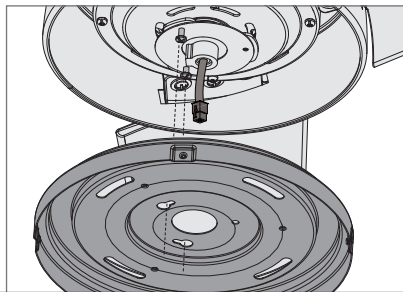
### ▲ IMPORTANT

NOTE: Follow the instructions on the blade. Installing it incorrectly could result in your fan not functioning.

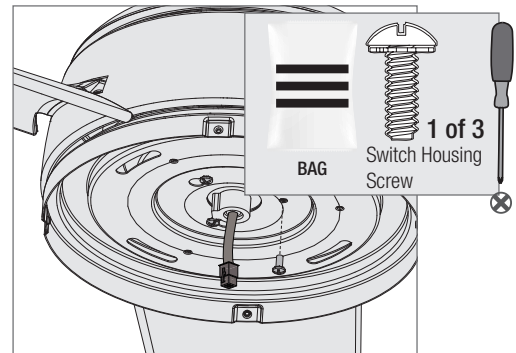
## Installing the Switch Housing and Cap



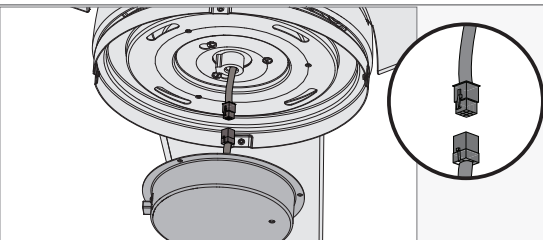
Partially install two switch housing screws, found in the ≡ hardware bag, through the gasket halfway into the motor housing as shown. It does not matter which two screw holes you choose.



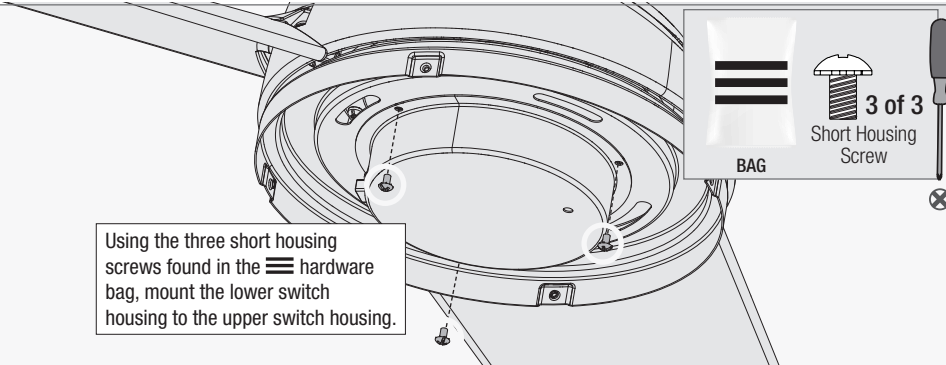
Feed the wire plug through the center hole of the upper switch housing. Align the keyhole slots in the upper switch housing with the two screws you just installed. Lift the upper switch housing so that the keyhole slots engage the two screws, and twist counterclockwise to lock the upper switch housing into place.



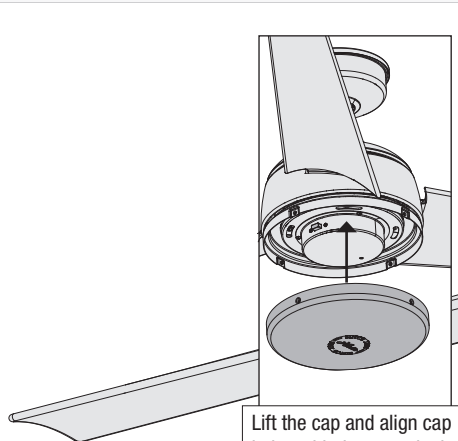
Insert the third screw found in the ≡ hardware bag, into place and then tighten all three screws.



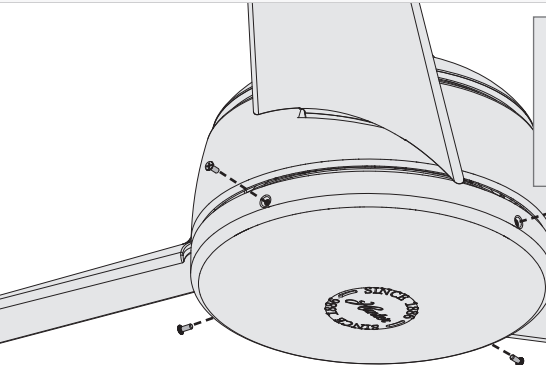
Lift the the lower switch housing and connect the plugs. Make sure to line up the colored markings on the connectors and that the connectors latch.



Using the three short housing screws found in the ≡ hardware bag, mount the lower switch housing to the upper switch housing.



Lift the cap and align cap holes with the extend tabs of the fan housing.

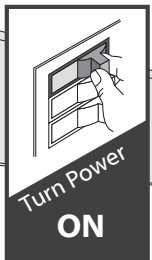


Insert the cap screws found in the hardware bag ≡



**Note:**

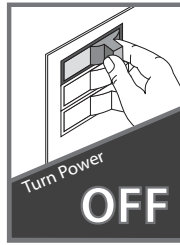
Fan style may vary.




Turn Power  
**ON**

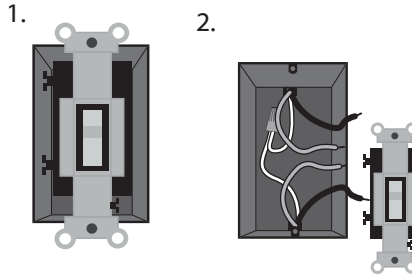
# Installing Wall Control

- 1** **Turning off the power**  
Ensure the power is OFF at the outlet box and wall switch location before proceeding with installation.

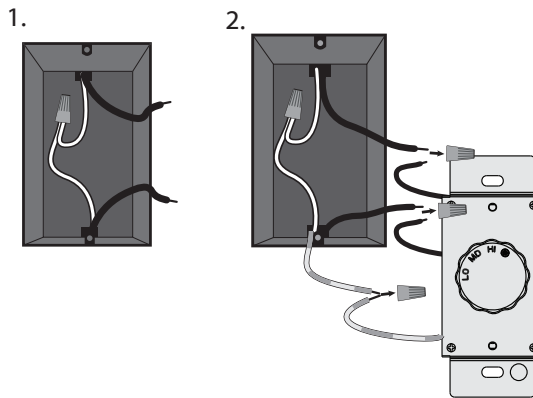


**⚠ WARNING**   
To avoid possible electrical shock, before installing your fan, disconnect the power by turning off the circuit breakers to the outlet box associated with the wall switch location.

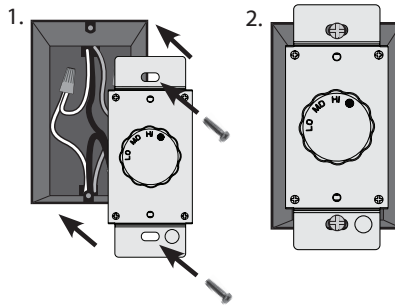
- 2** **Preparing the Wall Switch**  
After removing the switch plate cover, remove all wiring from the switch.



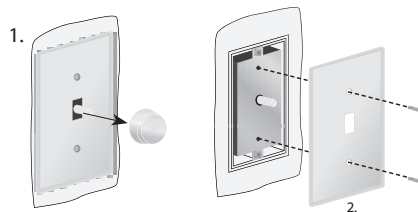
- 3** **Wiring the Wall Control**  
Using the wire connectors, connect each black wire from the wall control to a black wire from the switch box. Connect the green with yellow stripe wire to the grounding wire from the switch box.  
  
Note: If two white wires are present in the switch box, connect them to each other if they are not already connected.



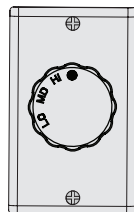
- 4** **Installing the Wall Control**  
Insert the wall control into the outlet box and secure the two metal tabs to the tabs on the switch box using the two flat head screws that came with the switch box.



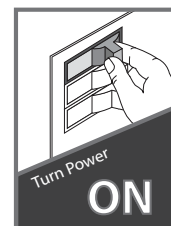
- 5** **Installing the Wall Plate**  
Remove the knob from the wall control and mount the faceplate (**not included**) to the wall control using the two #6-32 screws you removed earlier from the faceplate.



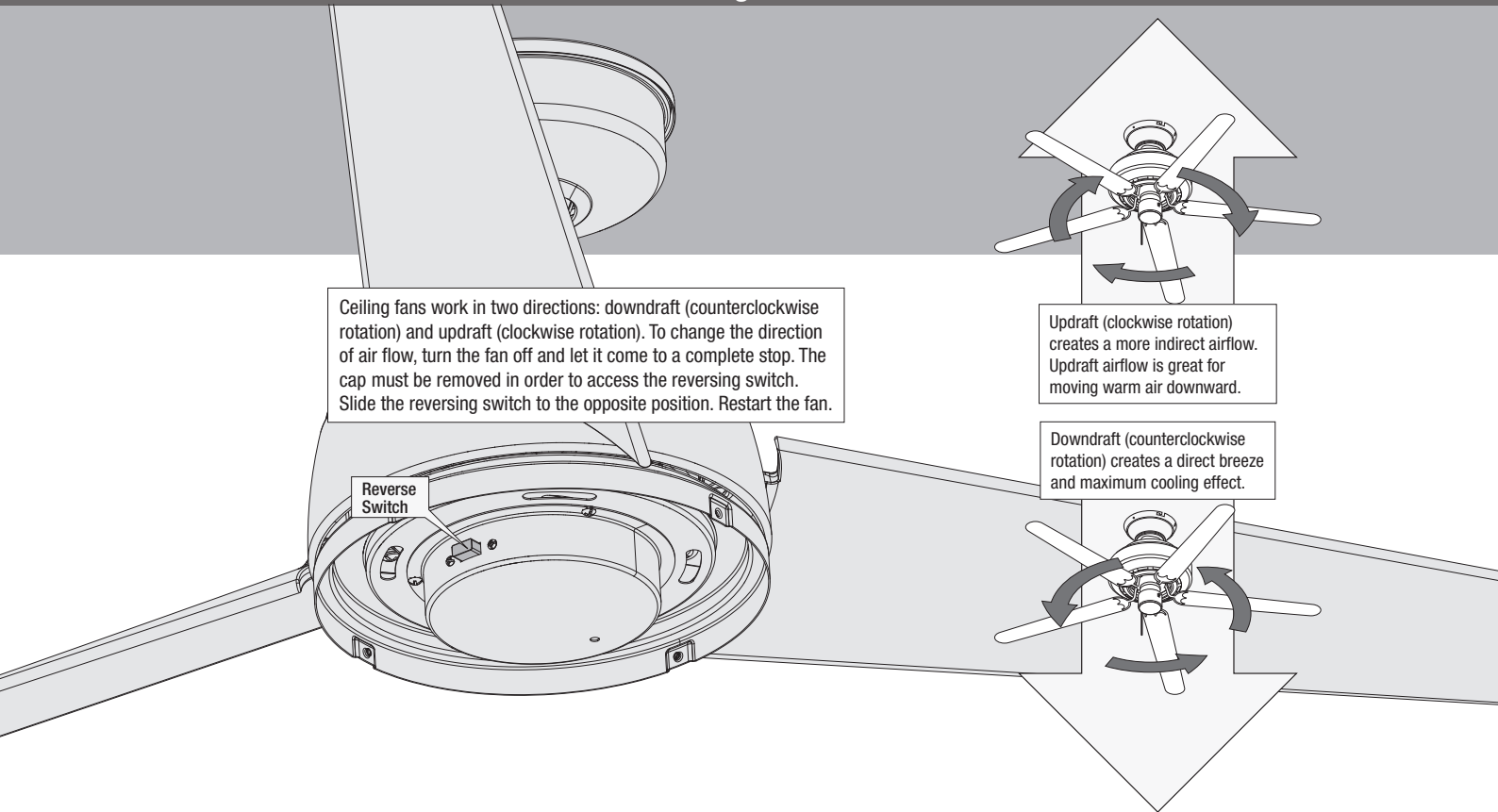
- 6** **Installing the Wall Plate (CONT)**  
Reattach the knob onto the wall control and turn it to the left for the OFF position.



- 7** **Turning on the power**



## Reversing the Fan



## Troubleshooting

### Fan Doesn't Work

- Push the motor reversing switch firmly left or right to ensure that it is engaged.
- Check the circuit breaker to ensure the power is turned on.
- Make sure the blades spin freely.
- Turn off power from the circuit breaker, then loosen the canopy and check all the connections according to the wiring diagram.

### Excessive Wobbling

- Make sure the blades are properly installed on the blade iron posts.
- Turn the power off, support the fan carefully, and check that the hanger ball is properly seated.
- Use the provided balancing kit and instructions to balance the fan.

### Noisy Operation

- Make sure the blades are properly installed.
- Check to see if any of the blades are cracked. If so, replace all of the blades.

### Hunter Pro Tip:

#### Cleaning the Fan

Use soft brushes or cloths to prevent scratching. Cleaning products may damage the finishes.

## Limited Lifetime Warranty

Hunter Fan Company grants this limited warranty to the original purchaser of this Hunter ceiling fan. This document can be found at [www.HunterFan.com](http://www.HunterFan.com). Thank you for choosing Hunter!

### How Can Warranty Service Be Obtained?

**Proof of purchase is required** when requesting warranty service. The original purchaser must present a sales receipt or other document that establishes proof of purchase. Hunter, at its sole discretion, may accept a gift receipt. To obtain service, contact Hunter Fan Company online or by phone.

[www.HunterFan.com/Support/Contact-Us/](http://www.HunterFan.com/Support/Contact-Us/)  
1-888-830-1326

Please do not ship your fan or any fan parts to Hunter. Delivery will be refused.

### What Does This Warranty Cover?

#### Motor — Limited Lifetime Warranty

If any part of your ceiling fan motor fails during your ownership of the fan due to a defect in material or workmanship, as determined solely by Hunter, Hunter will provide you with a replacement fan free of charge.\* The foregoing limited warranty applies only to the motor itself and does not apply to electronic controls – such as remote control transmitters, remote control receivers, or capacitors – used in conjunction with the motor. Such electronic control items are included in the one-year limited warranty below.

#### Other — One-Year Limited Warranty

Except as otherwise indicated throughout this warranty, if any part of your Hunter ceiling fan fails at any time within one year of the date of purchase due to a defect in material or workmanship, as determined solely by Hunter, Hunter will provide a replacement part free of charge.\*

*\* If no replacement product/part can be provided for your fan, we will provide a comparable or superior replacement product/part at the sole discretion of Hunter.*

### What Does This Warranty NOT Cover?

**Labor Excluded.** This warranty does not cover any costs or fees associated with the labor (including electrician's fees) required to install, remove, or replace a fan or any fan parts. There is no warranty for light bulbs (except where otherwise noted); remote control batteries; fans purchased or installed outside the United States; fans owned by

someone other than the original purchaser; fans for which proof of purchase has not been established; fans purchased from an unauthorized dealer; ordinary wear and tear; minor cosmetic blemishes; refurbished fans; and fans that are damaged due to any of the following: improper installation, misuse, abuse, improper care, failure to follow Hunter instructions, accidental damage caused by the fan owner or related parties, modifications to the fan, improper or incorrectly performed maintenance or repair, improper voltage supply or power surge, use of improper parts or accessories, failure to provide maintenance to the fan, or acts of God (e.g. flood).

ORIGINAL PURCHASER'S SOLE AND EXCLUSIVE REMEDY FOR A CLAIM OF ANY KIND WITH RESPECT TO THIS PRODUCT SHALL BE THE REMEDIES SET FORTH HEREIN. HUNTER FAN COMPANY IS NOT RESPONSIBLE FOR CONSEQUENTIAL OR INCIDENTAL DAMAGES, DUE TO PRODUCT FAILURE, WHETHER ARISING OUT OF BREACH OF WARRANTY, BREACH OF CONTRACT, OR OTHERWISE. Some States do not allow the exclusion or limitation of incidental or consequential damages, so the above limitation or exclusion may not apply to you.

ANY IMPLIED WARRANTIES OF MERCHANTABILITY OR FITNESS FOR A PARTICULAR PURPOSE APPLICABLE TO THIS PRODUCT ARE LIMITED IN DURATION TO THE PERIOD OF COVERAGE OF THE APPLICABLE LIMITED WARRANTIES SET FORTH ABOVE. Some States do not allow limitations on how long an implied warranty lasts, so the above limitation may not apply to you.

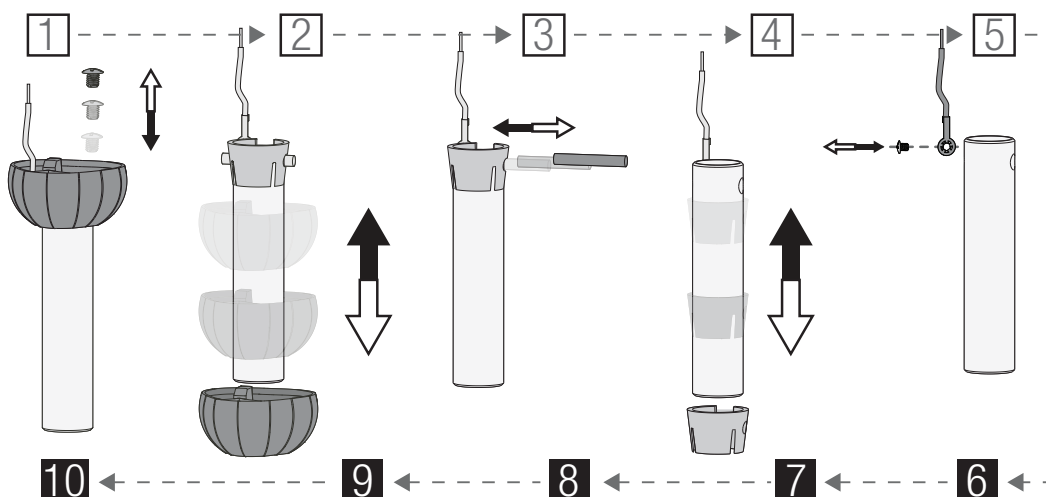
### How Does State Law Affect Warranty Coverage?

This warranty gives you specific legal rights. You may also have other rights which vary from state to state.

## Downrod

### If you need a different downrod length follow these steps:

Follow steps 1-5 to remove standard downrod pipe



Follow steps 6-10 to reassemble with new downrod

**⚠ WARNING**

**FAN FALL HAZARD**

To prevent **SERIOUS INJURY** or **DEATH**:

- **ALWAYS** follow the downrod assembly instructions exactly.
- **VERIFY** the downrod is assembled correctly by firmly pulling on the hanger ball.