

Installation Instructions and Use & Care Guide

Residential Gas Water Heater

with the Flammable Vapor Ignition Resistant Safety System
Not for use in Manufactured (Mobile) Homes

DO NOT RETURN THIS UNIT TO THE STORE



Read this manual and the labels on the water heater before you install, operate, or service it. If you have difficulty following the directions, or aren't sure you can safely and properly do any of this work yourself:

- Call your Local plumbing supplies store to have this water heater installed. Professional Installation is available for this product and the work is guaranteed.
- Schedule an appointment with a qualified person to install your water heater.
- Call our Technical Assistance Hotline which is listed on the water heater's warranty sheet. We can help you with installation, operations, troubleshooting, or maintenance. Before you call, write down the model and serial number from the water heater's data plate.

Incorrect installation, operation, or service can damage the water heater, your house and other property, and present risks including fire, scalding, electric shock, and explosion, causing serious injury or death.

Table of Contents

Important Safety Information.....	3
Getting Started	7
Installation.....	13
Installation.....	21
Operation	22
Troubleshooting	25
Maintenance	30
Repair Parts	37

WARNING: If the information in these instructions is not followed exactly, a fire or explosion may result causing property damage, personal injury or death.

Do not store or use gasoline or other flammable vapors and liquids in the vicinity of this or any other appliance.

WHAT TO DO IF YOU SMELL GAS

- **Do not try to light any appliance.**
- **Do not touch any electrical switch; do not use any phone in your building.**
- **Immediately call your gas supplier from a neighbor's phone. Follow the gas supplier's instructions.**
- **If you cannot reach your gas supplier, call the fire department.**

Installation and service must be performed by a qualified installer, service agency or the gas supplier.



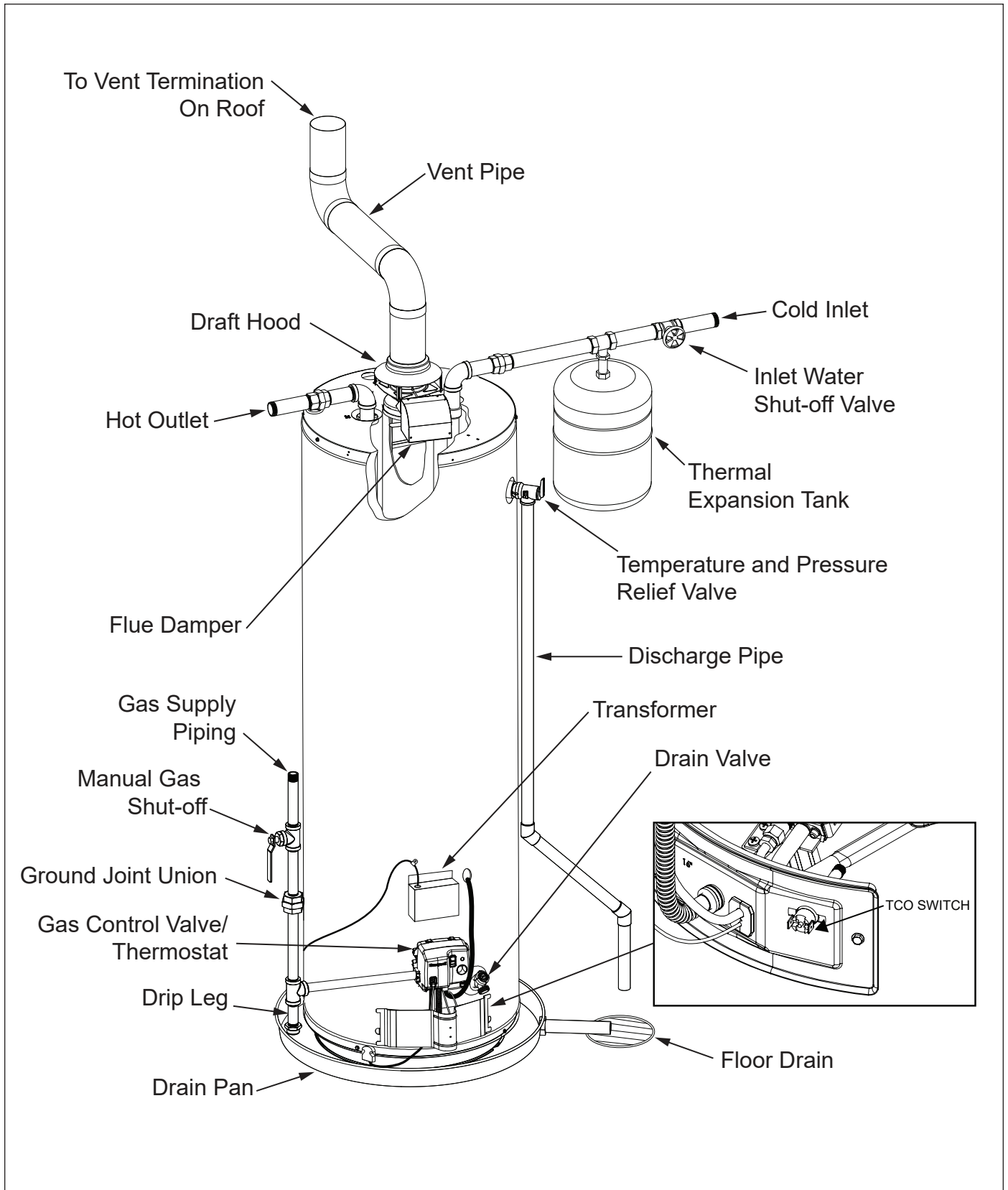
LOW LEAD
CONTENT



Keep this manual in the pocket on heater for future reference whenever maintenance, adjustment or service is required.

Retain your original receipt as proof of purchase.

COMPLETED INSTALLATION (TYPICAL)



NOTICE: If copper piping is used, then unions must be dielectric at inlet and outlet.



IMPORTANT SAFETY INFORMATION

To reduce the risk of property damage, serious injury or death, read and follow the precautions below, all labels on the water heater, and the safety messages and instructions throughout this manual.

RISKS DURING INSTALLATION AND MAINTENANCE



Lifting Risk

▲ WARNING! The water heater is heavy. Follow these

precautions to reduce the risk of property damage, injuries from lifting or impact injuries from dropping the water heater.

- Use at least two people to lift the water heater.
- Be sure you both have a good grip before lifting.
- Use an appliance dolly or hand truck to move the water heater.



Explosion Risk

▲ WARNING! Read the water heater's data

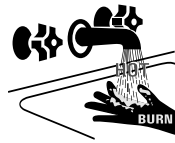
plate to determine the type of gas required. Failure to follow these instructions can result in serious injury or death from explosion, fire or carbon monoxide poisoning.

- Do not connect a natural gas water heater to an L.P. gas supply.
- Do not connect an L.P. gas water heater to a natural gas supply.
- Use a new CSA approved gas supply line.
- Install a shut-off valve on the gas supply line.

Gas Pressure

▲ WARNING! The gas supply pressure must not exceed the maximum supply pressure as stated on the water heater's data plate. The minimum supply pressure is for the purpose of input adjustment. L.P. gas supply pressure must not exceed 13" water column. Have a qualified person (licensed plumber, gas company personnel, or authorized service technician) check for proper L.P. gas pressure. L.P. gas pressures exceeding 13" water column can result in serious injury or death from explosion or fire.

RISKS DURING OPERATION



Scalding Risk

This water heater can make water hot enough to cause severe burns instantly, resulting in severe injury or death.

- Feel water before bathing or showering.
- To reduce the risk of scalding, install Thermostatic Mixing Valves (temperature limiting valves) at each point-of-use. These valves automatically mix hot and cold water to limit the temperature at the tap. Mixing valves are available at your local plumbing supplier. Follow the manufacturer's instructions for installation and adjustment of the valves.
- The gas control valve on this water heater has been factory set to its lowest setting to reduce the risk of scalding. Higher temperatures increase the risk of scalding, but even at 120°F, hot water can scald. If you choose a higher temperature setting, Thermostatic Mixing Valves located at each point-of-use are particularly important to help avoid scalding.

Table 1:

Temperature	Time to Produce a Serious Burn
120°F (49°C)	More than 5 minutes
125°F (52°C)	1-½ to 2 minutes
130°F (54°C)	About 30 seconds
135°F (57°C)	About 10 seconds
140°F (60°C)	Less than 5 seconds
145°F (63°C)	Less than 3 seconds
150°F (66°C)	About 1-½ seconds
155°F (68°C)	About 1 second

For more information about changing the factory temperature setting, refer to the "Adjusting the Temperature" section in this manual (page 23).

Even if you set the water heater's gas control valve to a low setting, higher water temperatures may occur in certain circumstances.

- In some cases, repeated small draws of water can cause the hot and cold water in the tank to "stack" in layers. If this happens, the water can be as much as thirty degrees hotter than the gas control valve setting. This temperature variation is the result of your usage pattern and is not a malfunction.
- Water temperature will be hotter if someone adjusted the gas control valve to a higher setting.
- Problems with the gas control valve or other malfunctions may result in higher than expected water temperatures.
- If the water heater is in a hot environment, the water in the tank can become as hot as the surrounding air, regardless of the temperature setting.
- If the water supplied to the water heater is pre-heated (by a solar heating system) the temperature in the tank may be higher than the water heater's temperature setting.

IMPORTANT SAFETY INFORMATION

- Should overheating occur or the burner fail to shut off, turn off the manual gas supply valve to the water heater and call a qualified person.

To reduce the risk of unusually hot water reaching the fixtures in the house, install Thermostatic Mixing Valves at each point-of-use.

If anyone in your home is at particular risk of scalding (for example, the elderly, children, or people with disabilities) or if there is a local code or state law requiring a certain water temperature at the hot water tap, these precautions are particularly important.

According to a national standard American Society of Sanitary Engineering (ASSE 1070) and most local plumbing codes, the water heater's thermostat should not be used as the sole means to regulate water temperature and avoid scalds.

Properly adjusted Thermostatic Mixing Valves installed at each point-of-use allow you to set the tank temperature to a higher setting without increasing the risk of scalds. A higher temperature setting allows the tank to provide much more hot water and can help provide proper water temperatures for appliances such as dishwashers and washing machines. Higher tank temperatures (140°F) also kill bacteria that cause a condition known as "smelly water" and can reduce the levels of bacteria that cause water-borne diseases.

Water Contamination Risk

Do not use chemicals that could contaminate the potable water supply. Do not use piping that has been treated with chromates, boiler seal, or other chemicals.



Fire Risk

This water heater is equipped with a Flammable Vapor Ignition Resistance (FVIR) system. FVIR is designed to reduce the risk of flammable vapor-related fires. FVIR makes this product more sensitive to installation errors or improper installation environments. The FVIR system will not prevent a possible fire/explosion if flammable vapors have accumulated in the combustion chamber and the water heater is lit.

Do not attempt to light this appliance by any means if you suspect flammable vapors have accumulated inside or outside the appliance. Immediately call a qualified person to inspect the appliance. Water heaters subjected to a flammable vapors incident will show a discoloration on the flame arrestor and require replacement of the entire water heater. Improper installation or an inadequate air supply can also cause the FVIR system to disable the water heater.

⚠ WARNING! This water heater has a resettable thermal switch installed as part of the FVIR system. Do not attempt to disable or modify this feature in any way. Doing so can lead to fire, explosion or excessive and abnormal production of carbon monoxide.

To reduce the risk of a fire that could result in property damage, or serious injury or death:

- Do not store things that can burn easily such as paper or clothes next to the water heater.
- Do not store or use gasoline or other flammable substances in the vicinity of this or any other appliance.
- Keep the water heater from becoming wet. Immediately shut off the

water heater and have it inspected by a qualified person if you find that the wiring, gas control valve/thermostat or surrounding insulation have been exposed to water in any way (e.g., leaks from plumbing, leaks from the water heater itself can damage property and could cause a fire risk). If the water heater is subjected to flood conditions or the gas control valve/thermostat has been submerged in water, the entire water heater must be replaced.

- Replace the water heater's viewport if glass is missing or damaged. Repair the combustion chamber door seals if damaged.



Explosion Risk

High temperatures and pressures in the water heater tank can cause an explosion resulting in property damage, serious injury or death. A new Temperature and Pressure (T&P) Relief Valve is included with your water heater to reduce risk of explosion by discharging hot water. Additional temperature and pressure protective equipment may be required by local codes.

A nationally recognized testing laboratory maintains public inspection of the valve production process and certifies that it meets the requirements for Relief Valves for Hot Water Supply Systems, ANSI Z21.22. The T&P Relief Valve's relief pressure must not exceed the working pressure rating of the water heater as stated on the rating plate.

Maintain the T&P Relief Valve properly. Follow the maintenance instructions provided by the manufacturer of the T&P Relief Valve (label attached to T&P Relief Valve). If no label is attached to the T&P Relief Valve, follow the instructions in the T&P Relief Valve Maintenance section of this manual. An explosion could occur if the T&P Relief Valve

IMPORTANT SAFETY INFORMATION

or discharge pipe is blocked. Do not cap or plug the T&P Relief Valve or discharge pipe.

Fire and Explosion Risk if Hot Water is Not Used for Two Weeks or More.

▲ CAUTION! Hydrogen gas builds up in a hot water system when it is not used for a long period (two weeks or more). Hydrogen gas is extremely flammable. If the hot water system has not been used for two weeks or more, open a hot water faucet for several minutes at the kitchen sink before using any electrical appliances connected to the hot water system. If hydrogen is present there will probably be an unusual sound such as “air” escaping through the pipe as hot water begins to flow. Do not smoke or have an open flame or other ignition source near the faucet while it is open.

Carbon Monoxide Risk

▲ WARNING! This water heater operates by burning gas. Carbon monoxide is a colorless, odorless, gas that is a by-product of burning of fuels such as coal, wood, charcoal, oil, kerosene, propane, and natural gas. Breathing excessive and abnormal amounts of carbon monoxide can cause carbon



monoxide poisoning, resulting in serious injury or death. This water heater must be supplied with adequate combustion

air and must be properly vented to the outdoors. Have a qualified person (licensed plumber, authorized gas company personnel, or authorized service technician) install the venting system using these installation instructions. When the installation is complete, check the venting system using the instructions on page 23.

- Install a fuel gas and carbon monoxide detector in the living areas of your home.
- Do not install this water heater in a mobile home or manufactured housing.
- Failure to follow these instructions can result in serious injury or death from carbon monoxide poisoning.



Burn Risk

This water heater’s venting system can become hot enough to burn. Do not touch the venting system while water heater is on, or until the water heater is turned off and venting allowed to cool.

Before you start, be sure you have the following tools and supplies:

- Plumbing tools and supplies appropriate for the type of water pipes in your home.
- Thread sealant tape or pipe joint compound approved for potable water.
- For homes with copper pipes, you may purchase a Gas Water Heater Hook-Up Kit (available at your local plumbing supplier) with compression fittings that do not require soldering. This kit includes two 12” flex water lines, one 18” flexible gas line, two nipples, and thread sealant tape.
- For homes with plastic pipe, use threaded connectors suitable for the specific type of plastic pipe used: CPVC or PEX (cross-linked polyethylene). Do not use PVC pipe.
- Non-corrosive gas leak detection solution made from hand dishwashing soap mixed with water (1 part soap to 15 parts water) or children’s soap bubbles and a small, soft-bristled brush.

- An appliance dolly or hand truck to move the water heater.
- Safety gloves.

Recommended Accessories

- A metal drain pan.
- Automatic water leak detection and shut-off device.
- Pressure Reducing Valve.
- Thermal Expansion Tank.
- Thermostatic Mixing Valves at each point-of-use.
- Fuel gas and carbon monoxide detector.

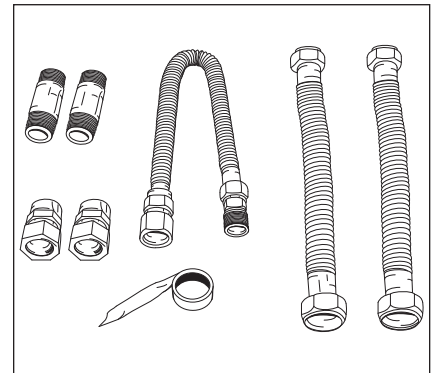


Figure 1 - Gas Water Heater Hook-Up Kit

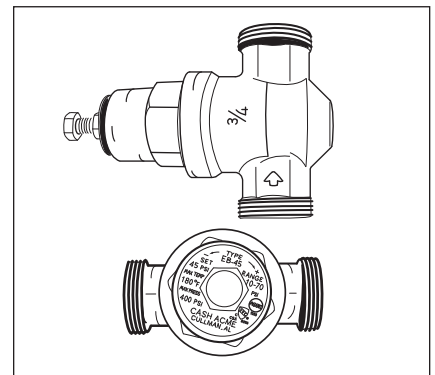


Figure 2 - Install a Pressure Reducing Valve set to 50 to 60 psi.

GETTING STARTED

1 Review all of the instructions before you begin work. Improper installation can damage the water heater, your home and other property, and can present risks of serious injury or death.

2 This water heater is design-certified by CSA International as a Category I, non-direct vented water heater which takes its combustion air either from the installation area or from air ducted to the unit from the outside.

This water heater must be installed according to all local and state codes or, in the absence of local and state codes, the “National Fuel Gas Code”, ANSI Z223.1 (NFPA 54)-current edition. This is available from the following:

CSA America, Inc.
8501 East Pleasant Valley Road
Cleveland, OH 44131

National Fire Protection Association
1 Batterymarch Park
Quincy, MA 02269

Check with local code officials about codes governing this installation. Have your installation inspected by a code official to ensure the installation meets all local codes.

NOTICE: If you lack the necessary skills required to properly install this water heater, or you have difficulty following the instructions, you should not proceed but have a qualified person perform the installation of this water heater.

Massachusetts code requires this water heater to be installed in accordance with Massachusetts 248-CMR 2.00 and 248-CMR 5.00: State Plumbing Code. Other local and state authorities may have similar requirements or other codes applicable to the installation of this water heater.

Combustion and Ventilation Air Supply

Before installing the water heater, you must determine the amount of air needed to supply this water heater and any other gas appliances in the same area and provide adequate air for combustion and ventilation. Consult a qualified person if you are unsure of the proper way to supply air to your water heater.

⚠ WARNING! This gas water heater requires and adequate source of clean air for combustion and ventilation. Without sufficient air, your water heater will have frequent pilot outages and may emit excessive and abnormal amounts of carbon monoxide.

Before beginning:

Calculate total BTU/HR rating of all appliances.

To calculate the combustion air and ventilation required, add up the total BTU/HR ratings of all gas burning appliances (e.g., water heaters, furnaces, clothes dryers) in the same area.

Your water heater’s BTU/HR rating is on the data plate, located next to the gas control valve/thermostat. The BTU/HR ratings should be on the other appliances’ data plates. If you have trouble determining the BTU/HR ratings, contact the manufacturer or have a qualified person determine the ventilation requirements.

NOTICE: If you are replacing your old water heater with one that has a higher BTU/HR rating, the amount of ventilation required may be greater.

See the following page for calculation examples.



GETTING STARTED

Example:

Gas Burning Appliance	BTU/HR Rating
Gas Water Heater	40,000
Furnace	75,000
Dryer	20,000
Total	135,000

Your Appliances:

Gas Burning Appliance	BTU/HR Rating
Gas Water Heater	
Total	

Table 2 provides examples of minimum square footage (area) required for various BTU/HR totals. Areas used for storage or which contain large objects containing less air than is assumed for the room sizes in Table 2 — see Option A for more specific calculations.

BTU/HR Input	Minimum Square Feet with 8' Ceiling	Typical Room with 8' Ceiling
30,000	188	9 x 21
45,000	281	14 x 20
60,000	375	15 x 25
75,000	469	15 x 31
90,000	563	20 x 28
105,000	657	20 x 33
120,000	750	25 x 30
135,000	844	28 x 30

Option A: Installation without outside ventilation (not recommended)

Ventilation with outside air is recommended for all installations. Even if the water heater is installed in a large, open room inside the house, outdoor air is usually needed because modern homes are very tightly sealed and often do not supply enough air to the water heater. However, when installed in a large indoor space, it may be possible to provide enough air without outside ventilation. If you are unsure if your installation location has enough ventilation, contact your local gas utility company or code officials for a safety inspection.

The following instructions will help determine if it may be possible to install without outside ventilation. Even if this may be possible, you will need to conduct the vent draft test on page 23 when installation is finished. If there is not enough ventilation, you will need to ventilate with outside air.

Check for Chemicals:

Installations where corrosive chemicals may be present require outside air. Air for combustion and ventilation must be clean and free of corrosive or acid-forming chemicals such as sulfur, fluorine, and chlorine. Ventilation with outside air will reduce these chemicals, but it may not completely eliminate them. Failure due to corrosive chemicals is not covered by the warranty. Examples of locations that require outside air due to chemicals include:

- Beauty salons
- Photo processing labs
- Indoor pools
- Laundry, hobby, or craft rooms
- Chemical storage areas

Products such as aerosol sprays, detergents, bleaches, cleaning solvents, gasoline, air fresheners, paint and varnish removers, and refrigerants should not be stored or used near the water heater.

A1: Calculate the air volume of the room

Air requirements depend on the size of the room.

Floor Area (square feet) x Ceiling Height (feet) = Room Volume (cubic feet)

If there are large objects in the room (e.g., refrigerator, furnace, car), subtract their volume from the volume of the room to get a better estimate of the air available.

Room Volume – Object Volume = Air Volume



GETTING STARTED

A2: Calculate required air volume

A water heater installed in an unconfined attic or garage requires that the space be at least 50 cubic feet per 1,000 BTU/HR of the total input for all gas burning appliances in the same area.

$[Total\ BTU/HR/1000] \times 50 =$ Cubic feet of air required.

Example:

$$(135,000 / 1000) \times 50 = 6,750$$

If the air volume of the room is less than the required air volume, you must provide two permanent outside air openings that draw in sufficient air. Use Option B.

If the air volume of the room is greater than the required air volume, it may be possible to install the water heater without outside ventilation.

A3: Check that combustion ventilation is adequate

Because modern homes are often well-sealed to prevent drafts, a large room may not provide enough combustion air without ventilation. To confirm that your installation has enough combustion air, conduct the vent draft test on page 23 when installation is finished.

Option B: Installation with outside ventilation

Ventilation with outside air is recommended, and for most installations, is needed. There may be existing ventilation that is adequate, or you may need to add more ventilation.

Supplying outside air typically requires two openings. One opening must be within 12 inches from the floor and the second opening must be within

12 inches from the ceiling. Although a single opening is not preferred, you may use a single opening to outside air if the minimum free area is sized according to Table 3. Two openings must be used when ventilating with air from another room.

B1: Determine type of ventilation

There are several types of ventilation that can be used:

1. Direct to outdoors
2. Vertical ducts
3. Horizontal ducts
4. Single opening (not recommended; must be at least 100 square inches. Not appropriate for confined spaces smaller than 50 cubic feet per 1,000 BTU/HR as calculated in section A or when getting air from another room.
5. From a larger room inside the house (not recommended — refer to section A to determine if the combined volume of the room may be adequate)

B2: Determine minimum free area required for each vent opening

The size of the vent openings depends on the total BTU/HR rating of all appliances in the space (use your calculation from “Before Beginning”) and the type of vent used. Table 3 provides the minimum free area for each vent opening depending on the type of ventilation.

B3: Calculate minimum size of vent openings and ducts

The vent cross-sectional area needed to provide the free area depends on the covering on the vent openings. Typical vents use louvers or grilles to protect the opening. The louver or grille itself blocks some of the free area, so the opening may need to be larger to meet the minimum free area requirements.

See the following page for examples instructing how to calculate the required cross-sectional area.

Table 3:
Minimum Free Area of Permanent Openings for Ventilation and Combustion Air Supply — All Air from Outdoors Only.

Based on the total BTU/HR input rating for all gas burning appliances within a confined space.

Opening Source	Minimum Free Area Per Opening (sq. in.)
*Direct to outdoors	1 sq. in. per 4,000 BTU/HR (see Figure 3 on page 10)
Vertical ducts	1 sq. in. per 4,000 BTU/HR (see Figure 4 on page 10)
Horizontal ducts	1 sq. in. per 2,000 BTU/HR (see Figure 5 on page 10)
Single Opening	1 sq. in. per 3,000 BTU/HR (see Figure 6 on page 10)

*These openings connect directly with the outdoors through a ventilated attic, a ventilated crawl space, or through an outside wall.



GETTING STARTED

Use the following formula to calculate the required cross-sectional area:

Cross-sectional area = minimum free area required ÷ percent free area of covering (in decimals – e.g., 60% = .6).

For example, an installation area that requires openings with 100 square inches of free area would need 134 square inch openings if using metal louvers rated at 75% free area (100 sq. in. ÷ .75 = 134 sq. in.).

If you do not know the % free area for your louver or grille, use the following values:

- For wood louvers or grilles: 20%
- For metal louvers or grilles: 60%

Follow these rules to ensure that vents and ducts provide adequate air flow:

- Each vent opening must be no smaller than 100 square inches.
- Ducts must have the same cross-sectional area as free area of the opening.
- Rectangular ducts must have a minimum dimension of no less than three inches.
- All screens must have mesh ¼" or larger.
- Movable louvers must be locked open or interconnected with the equipment so that they open automatically during operation.
- Keep louvers and grilles clean and free of debris or other obstructions.

B4: Check that air source is clean and free of chemicals

Air for combustion and ventilation must be clean and free of corrosive or flammable chemicals. A failure due to corrosive chemicals in the air is not covered by the warranty. Combustion air must be free of acid-forming chemicals such as sulfur, fluorine, and chlorine. Be sure that air at the vent inlets is free of such chemicals.

B5: Check that combustion ventilation is adequate

To confirm that your installation has enough combustion air, conduct the vent draft test on page 23 when installation is finished.

Combustion Air Supply Options

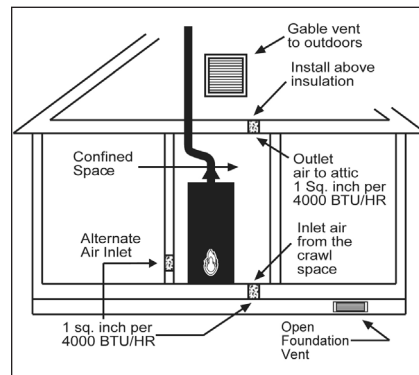


Figure 3 - Direct to Outdoors Openings

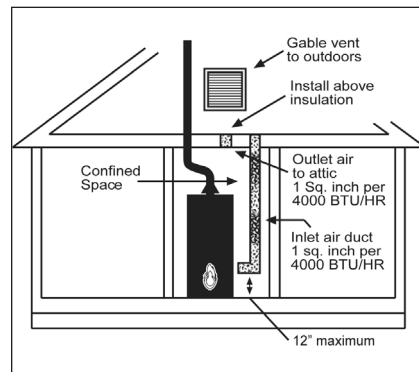


Figure 4 - Vertical Duct Openings

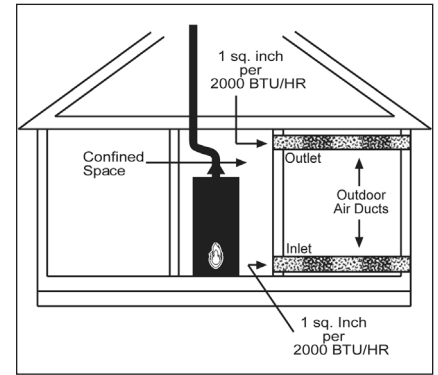


Figure 5 - Horizontal Duct Openings

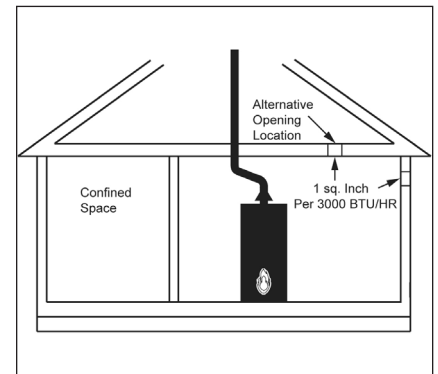


Figure 6 - Single Opening

Venting

⚠ WARNING! Carbon Monoxide Hazard. This water heater must be supplied with adequate air and vented to outdoors. The vent system must be installed by a qualified person. Examples of a qualified person include gas technicians, authorized gas company personnel, and authorized service technicians. Failure to properly vent the water heater can result in severe injury or death from carbon monoxide poisoning.

The vent system must be installed according to local and state codes, or in the absence of local or state codes, the "National Fuel Gas Code", ANSI Z223.1 (NFPA 54)-current edition. Do not common vent this water heater with any power vented appliance. Do not use a vent damper anywhere in the vent system of this water heater.

GETTING STARTED

To reduce the risk of carbon monoxide poisoning, install a fuel gas and carbon monoxide detector. Install and maintain the detector in accordance with the manufacturer's instructions and local codes.

Replacing a Water Heater Using the Existing Vent System

Read the "Installing a New Vent System" section of this manual and make sure your vent system is properly installed. Inspect the existing vent system for obstructions, corrosion, and proper installation. Repair or replace if necessary. The existing vent system must be UL listed Type B double-wall or single-wall metal vent pipe of either 3 inch or 4 inch diameter and installed according to the vent manufacturer's instructions and the terms of its listing. Do not use other materials such as dryer vent hose.

Installing a New Vent System

The vent pipe must meet the following specifications:

Type of Material

UL listed Type B double-wall or single-wall metal vent pipe must be used. Local codes may be more restrictive and may not allow single-wall vent pipe. Single-wall vent pipe cannot be used for water heaters located in attics and may not pass through attic spaces, crawl spaces, or any confined or inaccessible location. Single-wall vent pipe cannot pass through any interior wall.

Clearance to Combustible Materials

NOTICE: Minimum clearances from combustible surfaces are stated on the rating plate adjacent to the gas control valve/thermostat of the water heater.

All parts of the vent system must maintain the following clearances from any combustible materials:

- Single-wall vent pipe must maintain a 6 inch clearance from combustible materials. The single-wall vent pipe cannot pass through any ceiling, floor, firewall, or fire partition.
- The clearance from combustible materials of UL listed Type B double-wall vent pipe is specified by the manufacturer of the vent pipe. UL listed Type B double-wall vent pipe may pass through walls or partitions constructed of combustible material if the minimum clearance specified by the manufacturer of the vent pipe is maintained.

Vent Installation

To improve the flow of exhaust gases, we recommend that a minimum of 12 inches of vertical vent pipe be installed on the draft hood prior to any elbow. A portion of the vent pipe (up to 75% of the total vertical height) can be horizontal, but the termination must be vertical. For the horizontal section, install without dips or sags with an upward slope of $\frac{1}{4}$ " per foot. Install pipe avoiding unnecessary bends. Pipe joints must be fastened by sheet metal screws or other approved means. Support the pipe to maintain clearances and to avoid separation of joints or other damage. Vent pipe must be accessible for cleaning, inspection, and replacement.

Terminations

If local codes allow, this water heater may be terminated into an existing chimney using the instructions below. Otherwise, this water heater's vent must terminate vertically (sidewall or other horizontal terminations are not allowed).

Chimney Termination

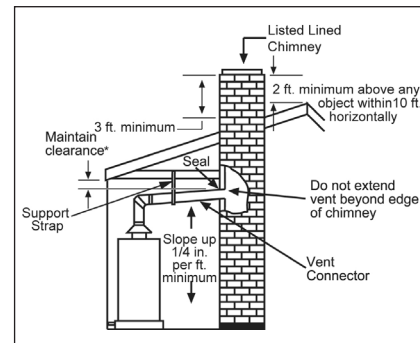


Figure 7 - Chimney Termination Vent System

NOTICE: Before connecting a vent to a chimney, make sure the chimney passageway is clear and free of obstructions. The chimney must be cleaned if previously used for venting solid fuel appliances or fireplaces. Also consult local and state codes for proper chimney sizing and application or, in the absence of local and state codes, the "National Fuel Gas Code", ANSI Z223.1 (NFPA 54)-current edition.

- The vent pipe must be installed above the extreme bottom of the chimney to prevent potentially blocking the flue gases.
- The vent pipe must be firmly attached and sealed to prevent it from falling out.
- To aid in removing the vent pipe, a thimble or slip joint may be used.
- The vent pipe must not extend beyond the inner edge of the chimney as it may restrict the space between it and the opposite wall of the chimney.

Do not terminate the vent pipe in a chimney that has not been certified for this purpose. Some local codes may prohibit the termination of vent connectors in a masonry chimney.

GETTING STARTED

Common (combined) venting is allowable with vertical Type B vent systems and lined masonry chimneys as long as proper draft for the water heater is established under all conditions of operation. Do not common vent this water heater with any power vented appliance.

Vertical exhaust vents must terminate with a listed cap or other roof assembly and be installed according to their manufacturer's instructions. An unused chimney flue or masonry enclosure may be used as a passageway for the installation of vent pipe. Do not common vent this water heater with any power vented appliance. The following figures are examples of vent pipe system installations and may or may not be suitable for your specific application. Consult the "National Fuel Gas Code", ANSI Z223.1 (NFPA 54)-current edition and local codes.

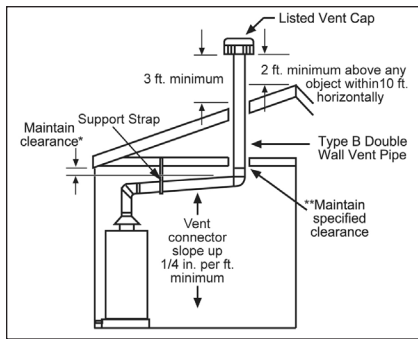


Figure 8 - Vertical gas vent system with Type B double-wall vent pipe.

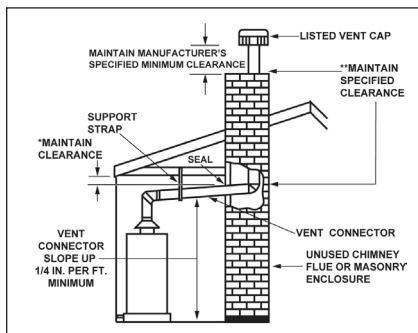


Figure 9 - Venting through a chimney with Type B double-wall vent pipe.

NOTICE: The gas vent must be terminated in a vertical position to facilitate the removal of exhaust gases.

Gas Piping

Gas piping must be installed according to local and state codes or, in the absence of local and state codes, the "National Fuel Gas Code", ANSI Z223.1 (NFPA 54)-current edition.

NOTICE: When installing gas piping, apply pipe joint compound or thread sealant tape approved for fuel gases.

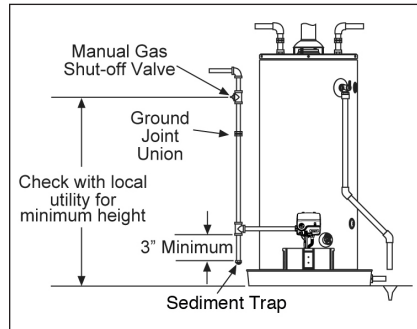


Figure 10 - Gas Piping

1. Install a readily accessible manual shut-off valve in the gas supply line as recommended by the local utility. Know the location of this valve and how to turn off the gas to this unit.
2. Install a Sediment Trap as shown in the Gas Piping figure above. The Sediment Trap must be no less than three inches long for the accumulation of dirt, foreign material, and water droplets.
3. Install a ground joint union between the gas control valve and the manual gas shut-off valve. This is to allow easy removal of the gas control valve.

4. Turn the gas supply on and check for leaks. Use a small, soft-bristled brush to apply a hand dish-washing soap and water mixture (1 part soap to 15 parts water) or children's soap bubbles to all connection points of the gas piping. Saturate all the connections and check for gas leaks (which will appear as small bubbles). If any leaks are detected, tighten the appropriate connection(s) and re-check.

Gas Pressure

NOTICE: When testing gas pipes with a test pressure of more than ½ psi, disconnect the gas line at the manual shut-off valve and cap the gas line. Do not subject the water heater's gas control valve or manual shut-off valve to more than ½ psi pressure for any reason. If you are pressure testing the gas line with test pressure of ½ psi or less, you may isolate the water heater from the gas line by closing the manual shut-off valve.

Solar Installation

If this water heater is used as a solar storage heater or as a backup for the solar water heating system, the water supply temperatures to the water heater tank may be in excess of 120°F. A Thermostatic Mixing Valve or other temperature limiting valve must be installed in the water supply line to limit the supply temperature to 120°F. The unit must be set to Standard Mode (see the "Operating Modes" section on page 24).

NOTICE: Solar water heating systems can often supply water with temperatures exceeding 180°F and may result in water heater malfunction.

INSTALLATION

Step: 1

✓ Verify that Your Home is Equipped and Up-To-Date for Proper Operation

Installing a new water heater is the perfect time to examine your home's plumbing system and make sure the system is up to current code standards. There have likely been plumbing code changes since the old water heater was installed. We recommend installing the following accessories and any other needed changes to bring your home up to the latest code requirements. Updating your plumbing system can help extend the life of your water heater, avoid damage to your home and property, and reduce the risk of serious injuries or death. Inspect your home and install any devices you need to comply with current codes and assure that your new water heater performs at its best. Check with your local plumbing official for more information.

✓ Water Pressure

Most codes allow a maximum incoming water pressure of 80 psi (we recommend a working pressure no higher than 50-60 psi). Check your home's water pressure gauge and adjust if necessary. High water pressure can damage the water heater, piping, and other appliances.

HOW: Purchase an inexpensive water pressure gauge available at your local plumbing supplier. Connect the water pressure gauge to an outside faucet and measure the maximum water pressure experienced throughout a 24-hour period (highest water pressures often occur at night).

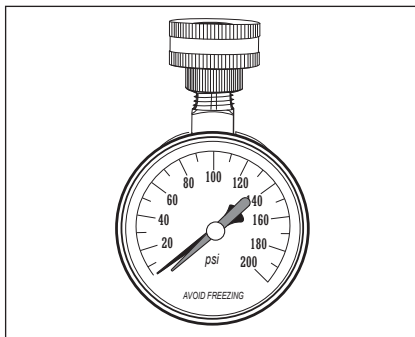


Figure 11 - Use a Water Pressure Gauge to make sure your home's water pressure is not too high.

To adjust your home's water pressure: Locate your home's Pressure Reducing Valve (PRV) on the main incoming (cold) water supply line and adjust the water pressure control to between 50 and 60 psi. If your home does not have a Pressure Reducing Valve, install a PRV on the home's main water supply line and set it to between 50 and 60 psi. Pressure Reducing Valves are available at your local plumbing supplier.

BACKGROUND: Over the years, many utilities have increased water supply pressures so they can serve more homes. In some homes today, pressures can exceed 100 psi. High water pressures can damage water heaters, causing premature leaks. If you have replaced toilet valves, had a water leak, or had to repair appliances connected to the plumbing system, pay particular attention to your home's water pressure. When purchasing a PRV, make sure the PRV has a built-in bypass.

✓ Water Pressure Increase Caused by Thermal Expansion

Verify that you have a properly sized Thermal Expansion Tank. We recommend installing an expansion tank if your home does not have one. Plumbing codes require a properly

pressurized, properly sized Thermal Expansion Tank in almost all homes.

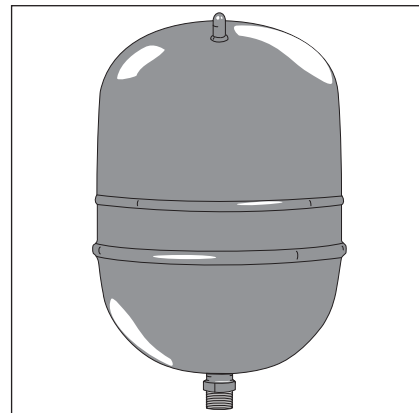


Figure 12 - A Thermal Expansion Tank helps protect the home's plumbing system from pressure spikes.

HOW: Connect the Thermal Expansion Tank (available at your local plumbing supplier) to the cold water supply line near the water heater. The expansion tank contains a bladder and an air charge. To work properly, the Thermal Expansion Tank must be sized according to the water heater's tank capacity and pressurized to match the home's incoming water pressure. Refer to the instructions provided with the Thermal Expansion Tank for installation details.

BACKGROUND: Water expands when heated, and the increased volume of water must have a place to go, or thermal expansion will cause large increases in water pressure (despite the use of a Pressure Reducing Valve in the home's main water supply line). The Safe Drinking Water Act of 1974 requires the use of backflow preventers and check valves to restrict water from your home reentering the public water system. Backflow preventers are often installed in water meters and may not be readily visible. As a result, most all plumbing systems today are now "closed," and almost all homes now need a Thermal Expansion Tank.

INSTALLATION

A Thermal Expansion Tank is a practical and inexpensive way to help avoid damage to the water heater, washing machine, dishwasher, ice maker, and even toilet valves. If your toilet occasionally runs for no apparent reason (usually briefly at night), that may be due to thermal expansion increasing the water pressure temporarily.

NOTICE: Expansion tanks are pre-charged with a minimum of 12 psi air charge. The expansion tank's air pressure must be adjusted to match the inlet pressure of your home but must not be higher than 80 psi.

Water Pipe and Tank Leaks

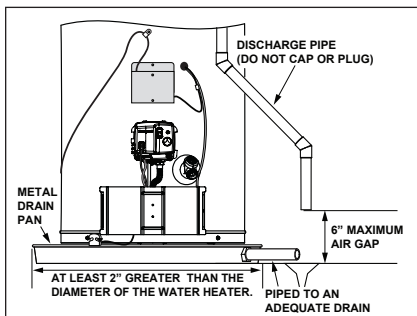


Figure 13 - A metal drain pan piped to an adequate drain can help protect flooring from leaks and drips.

Leaks from plumbing pipes or from the water heater itself can damage property and could cause a fire risk.

- Install an automatic leak detection and shut-off device (available at your local plumbing supplier). These devices can detect water leaks and can shut off the water heater's water supply if a leak occurs.
- Install a metal drain pan (available at your local plumbing supplier) under the water heater to catch condensation or leaks from the piping connections or tank. Most codes require, and we recommend, installing the water heater in a metal drain pan that is piped to an adequate

drain. The drain pan must be at least 2 inches wider than the diameter of the water heater. Install the drain pan so the water level would be limited to a maximum depth of 1-3/4". The pan must not restrict air flow to the burner.

Water Temperature Regulation

Install Thermostatic Mixing Valves to regulate the temperature of the water supplied to each point-of-use (for example, kitchen sink, bathroom sink, bath, shower). Install and adjust the mixing valve according to its manufacturer's instructions.

WARNING! Even if the water heater's thermostat is set to a relatively low temperature, hot water can scald. Install Thermostatic Mixing Valves at each point-of-use to reduce the risk of scalding (see Table 1).

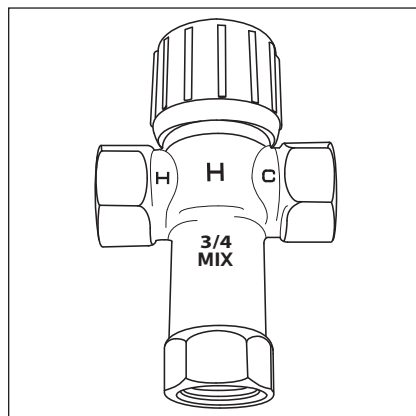


Figure 14 - Thermostatic Mixing Valves installed at each point-of-use can help avoid scalding.

BACKGROUND: A Thermostatic Mixing Valve, installed at each point-of-use, mixes hot water from the water heater with cold water to more precisely regulate the temperature of hot water supplied to fixtures. If you are not sure if your plumbing system is equipped with properly installed and adjusted Thermostatic Mixing Valves at each point where hot water is used, contact a qualified person.

Step: 2

Verify that the Location is Appropriate

WARNING! Do not store or use flammable materials, vapors, or liquids in the same location where this water heater is installed.

WARNING! To reduce the risk of carbon monoxide poisoning, install a fuel gas and carbon monoxide detector if the water heater is installed in a bathroom, bedroom, or any occupied room normally kept closed. Install and maintain the detector in accordance with the manufacturer's instructions and local codes.

Before installing your water heater, ensure that it will be located:

- Indoors in an area with adequate air supply.
- Indoors in an area that will not freeze.
- As close as possible to a chimney or vent.
- In a metal drain pan piped to an adequate floor drain or external to the building (Figure 13).
- In an area suitable for vertical installation.
- In an area with adequate space (clearances) for periodic servicing. There must be a minimum of 24 inches of front clearance.
- In an area that allows a minimum clearance from combustible surfaces as stated on the rating plate.
- On a floor that can support the weight of a full water heater.
- Within 6 feet of a 120VAC outlet. **DO NOT** use an extension cord.

INSTALLATION

You will also want to follow these guidelines while considering an appropriate location:

- This water heater is not for use in manufactured (mobile) homes or outdoor installation.
- Do not install near air-moving devices such as exhaust fans, ventilation systems, or clothes dryers.
- Do not obtain ventilating air for the furnace/air handler from the same space as the water heater. Ensure that any return air ducts near the water heater are sealed.
- If the water heater is located in an area subject to lint, dust, or oily vapors, at least annually check and clean the air filter. See the Maintenance section for steps on cleaning the air filter.
- If the water heater is installed directly on carpeting, it shall be installed on a metal or wood panel extending beyond the full width and depth of the water heater by at least 3 inches in any direction. If the water heater is installed in an alcove or closet, the entire floor shall be covered by the aforesaid panel.
- If your area is prone to earthquakes, use special straps as required by local building codes.

NOTICE: The state of California requires bracing, anchoring, or strapping the water heater to avoid its moving during an earthquake. Contact local utilities for code requirements in your area, visit <http://www.dsa.dgs.ca.gov>, or call 1-916-445-8100 and request instructions. Other locations may have similar requirements. Check with your local and state authorities.

- Do not install in a location prone to physical damage by vehicles, flooding, or other risks.

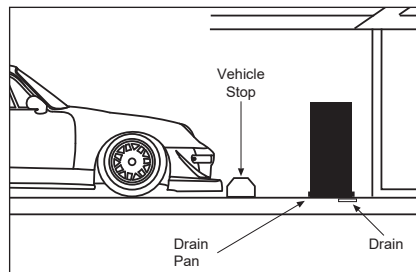


Figure 15 - In a garage, install a vehicle stop to avoid water heater damage.

- Avoid locations such as attics, upper floors, or where leaks might damage the structure or furnishings. Due to the normal corrosive action of water, the tank will eventually leak. To minimize property damage from leaks, inspect and maintain your water heater in accordance with this manual's instructions. Install a metal drain pan under the water heater piped to an adequate drain. Inspect the drain pan, pipes, and surrounding area regularly and fix any leaks found. Drain pans are available at your local plumbing supplier. Leaks are frequently in the plumbing system itself and not the water heater.

Step: 3

Removing the Old Water Heater

- 1 Read each installation step and decide if you have the necessary skills to install the water heater. Only proceed if you are comfortable you can safely perform the work. If you are not sure, have a qualified person perform the installation.
- 2 On the old water heater, turn the control knob on the gas control valve to the **OFF** position.

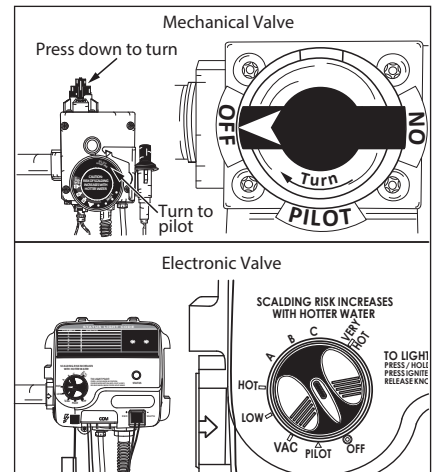


Figure 16 - Turn gas control/temperature knob OFF.

- 3 Turn the manual gas valve for the water heater's supply line **OFF**.
- 4 Open a hot water faucet and let the hot water run until it is cool.

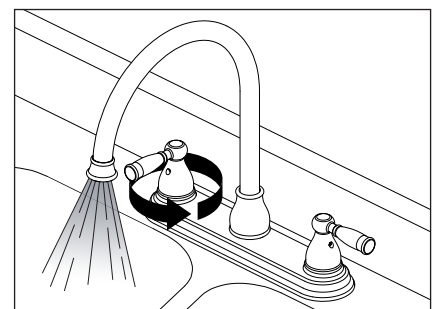


Figure 17 - Let the hot water run until it is cool.

⚠ WARNING! Be sure the water runs cool before draining the tank to reduce the risk of scalding.

- 5 Connect a garden hose to the drain valve and place the other end of the hose in a drain, outside, or in buckets (sediment in the bottom of the tank may clog the valve and prevent it from draining. If you cannot get the tank to drain, contact a qualified person).

INSTALLATION

- 6** Turn the cold water supply valve **OFF**.

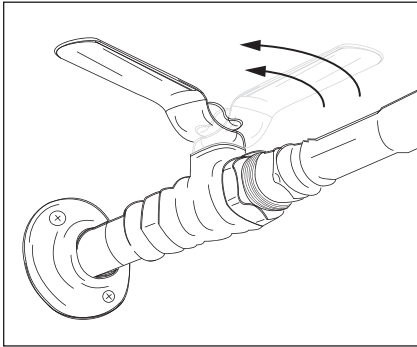


Figure 18 - Cold water supply in OFF position.

- 7** Open the drain valve on the water heater.

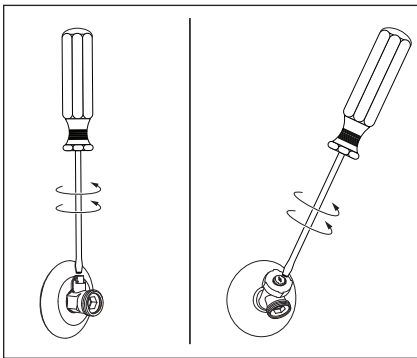


Figure 19 - Draining the old water heater.

- 8** Also open a hot water faucet to help the water in the tank drain faster.

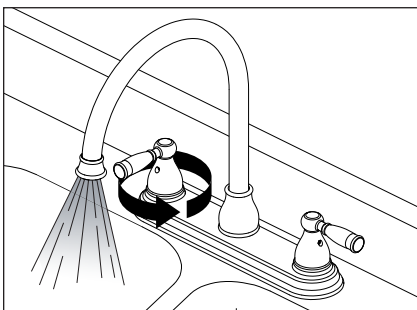


Figure 20 - Open hot water to drain tank faster.

- 9** When the tank is empty, disconnect the Temperature & Pressure (T&P) Relief Valve discharge pipe. You may be able to reuse the discharge pipe, but do not

reuse the old T&P Relief Valve. A new T&P Relief Valve comes with your new water heater.

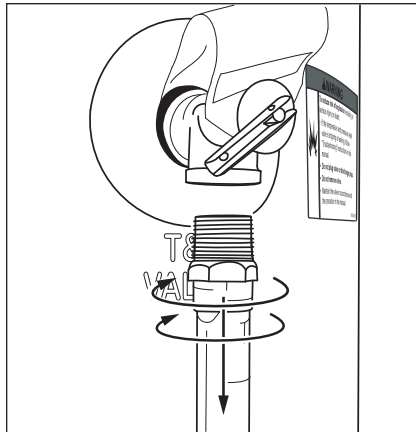


Figure 21 - Removing the T&P Relief Valve discharge pipe.

- 10** Allow the vent pipe and draft hood to cool. Once cooled, disconnect the vent pipe from the draft hood. You may need to support the vent pipe until the new water heater is in place.

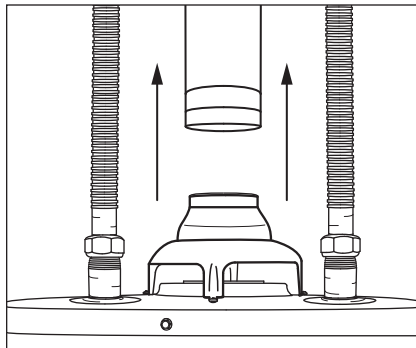


Figure 22 - Disconnect the vent pipe from the draft hood.

- 11** Disconnect the water pipes. Many water pipes are connected by a threaded union which can be disconnected with wrenches. If you must cut the water pipes, cut the pipes close to the water heater's inlet and outlet connections, leaving the water pipes as long as possible. If necessary, you can make them shorter later when you install the new water heater.

- 12** Confirm the manual gas valve for the water heater's supply line is turned **OFF**. Disconnect the gas line from the water heater's gas control valve and cap it.

- 13** Remove the old water heater. Use an appliance dolly or hand truck to move the water heater.

⚠ WARNING! Use two or more people to remove or install a water heater. Failure to do so can result in back or other injury.

Step: 4

Installing the New Water Heater

- 1** Completely read all instructions before beginning. If you are not sure you can safely complete the installation, seek assistance from any of the following sources:

- Schedule an appointment with a qualified person to install your water heater.
- Call our Technical Assistance Hotline which is listed on the water heater's warranty sheet.

- 2** Install a metal drain pan that is piped to an adequate drain.

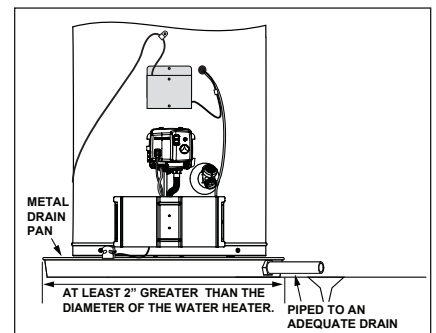


Figure 23 - Metal drain pan piped to an adequate drain.

INSTALLATION

3 Set the water heater in place taking care not to damage the drain pan. When installing directly on carpet, the water heater must be installed on a wood or metal base that extends beyond the dimensions of the water heater (width and depth) by at least 3 inches in any direction. If the water heater is installed on carpet in an alcove or closet, the entire floor must be covered by a wood or metal panel.

NOTICE: Most codes require setting the water heater in a metal drain pan piped to an adequate drain. The drain pan helps avoid property damage which may occur from condensation or leaks in the piping connections or tank. The drain pan must be at least 2 inches wider than the diameter of the water heater. Install the drain pan so the water level is limited to a maximum depth of 1- $\frac{3}{4}$ ".

- 4** Verify the water heater is properly set in place. Check that:
- There is adequate space to install the T&P Relief Valve discharge pipe and that it can be piped to a separate drain (and not into the drain pan, unless otherwise allowed by local and state codes).
 - There is adequate access and space around the water heater for future maintenance.
 - The water heater is installed vertically.

Step: 5

Check the Air Filter

This water heater is equipped with a base-ring air filter. Before proceeding to the next step, visually check the filter to ensure it is properly seated in the base-ring. Do not operate the water heater without a clean air filter in place.

Step: 6

Connect the Temperature and Pressure (T&P) Relief Valve/Pipe

Most T&P Relief Valves are pre-installed at the factory. In some cases, they are shipped in the carton and must be installed in the opening marked "T&P Relief Valve" and according to local and state codes.

⚠ WARNING! To avoid serious injury or death from explosion, install a T&P Relief Valve according to the following instructions.

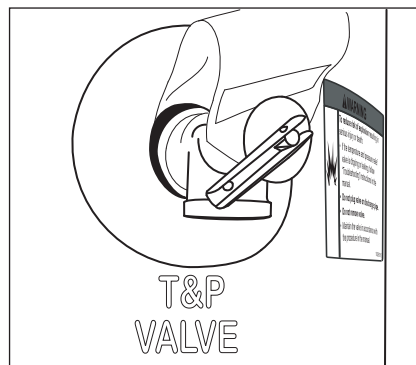


Figure 24 - Temperature and Pressure Relief Valve

If the T&P Relief Valve was not factory installed, install the new T&P Relief Valve that came with your water heater. Do not reuse an old T&P Relief Valve. Install a T&P Relief Valve discharge pipe according to local codes and the following guidelines:

- The discharge pipe should be at least $\frac{3}{4}$ " inside diameter and sloped for proper drainage. Install it to allow complete drainage of both the T&P Relief Valve and the discharge pipe.
- The discharge pipe must not be smaller than the pipe size of the T&P Relief Valve.
- The pipe must also be able to with-

stand 210°F without distortion. Use only copper or CPVC pipe approved for discharge use. Do not use any other type of pipe, such as PVC, iron, flexible plastic pipe, or any type of hose.

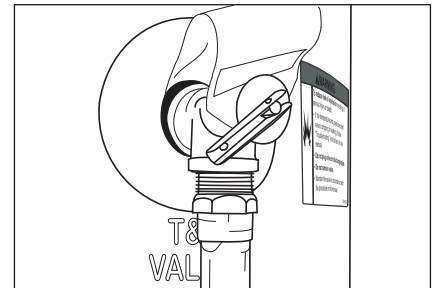


Figure 25 - The T&P Relief Valve discharge pipe must be installed properly and piped to an adequate drain.

- Terminate the discharge pipe a maximum of 6 inches above a floor drain or outside the building. Do not drain the discharge pipe into the drain pan; instead pipe it separately to an adequate drain. In cold climates, terminate the discharge pipe inside the building to an adequate drain. Outside drains could freeze and obstruct the drain line — protect the discharge pipe from freezing.

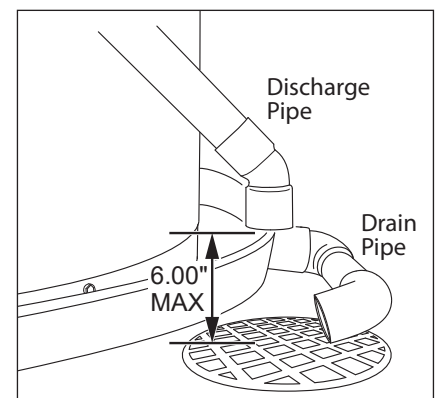


Figure 26 - Temperature and Pressure Relief Valve Discharge Pipe

- Do not place any valve or other restriction between the tank and T&P Relief Valve. Do not cap, block, plug, or insert any valve between the T&P Relief Valve and the end of the discharge pipe. Do not insert or install any reducer in the discharge pipe.

INSTALLATION

Step: 7

Install Shut-Off and Thermostatic Mixing Valves

1 Install a manual shut-off valve (available at your local plumbing supplier) on the cold water line that supplies the water heater. Install the shut-off valve near the water heater so that it is readily accessible. Only use valves that are compatible with potable water. Use only full-flow ball or gate valves. Other types of valves may cause excessive restriction to the water flow.

2 Install a Thermostatic Mixing Valve at each point-of-use (for example, kitchen sink, bathroom sink, bath, shower) per the valve manufacturer's instructions.

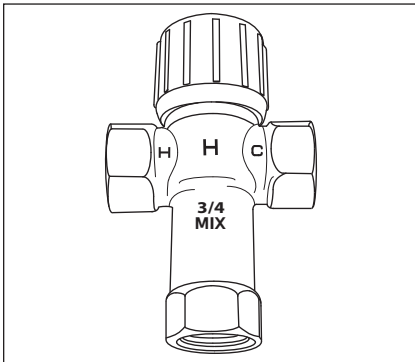


Figure 27 - Install Thermostatic Mixing Valves at each point-of-use.

⚠ WARNING! Even if the water heater's thermostat is set to a relatively low temperature, hot water can scald. Install Thermostatic Mixing Valves at each point-of-use to reduce the risk scalding.

3 For water heaters that are fed by a solar water heating system (or any other pre-heating system), always install a Thermostatic Mixing Valve or other temperature limiting device in the inlet water supply line to limit water

supply inlet temperature to 120°F. Solar water heating systems can supply water with temperatures exceeding 180°F and may result in water heater malfunction.

⚠ WARNING! Hot water provided by solar heating systems can cause severe burns instantly, resulting in serious injury or death.

Step: 8

Connect the Water Supply

Note that all piping and components connected to the water heater must be suitable for use with potable water.

1 Determine the type of water pipes in your home. Most homes use copper water pipes (see following page), but some use CPVC or cross-linked polyethylene (PEX). Use fittings appropriate for the type of pipe in your home. Do not use iron or PVC pipe – they are not suitable for potable water.

The water inlet and outlet threaded connections are steel. When connecting the unit to piping made of a different material, use of a dielectric fitting or a dielectric union conforming to ASSE 1079 is recommended to prevent corrosion and potential subsequent water leaks at or near the connection. Dielectric fittings may be required by local plumbing codes.

IMPORTANT! A dielectric waterway nipple is different than a dielectric nipple and does not perform the same function. A dielectric waterway nipple will not protect the water heater from corrosion.

2 Connect the cold water supply using 3/4" National Pipe Thread ("NPT") to the cold water inlet nipple.

NOTICE: Most water heater models contain energy saving heat traps in the inlet and outlet connections. Do not remove the heat traps.

3 Connect the hot water supply using 3/4" NPT to the hot water outlet nipple.

4 Install insulation (or heat tape) on the water pipes especially if the indoor installation area is subject to freezing temperatures. Insulating the hot water pipes can increase energy efficiency.

5 Adjust (or install) the home's Pressure Reducing Valve to 50-60 psi and install a Thermal Expansion Tank.

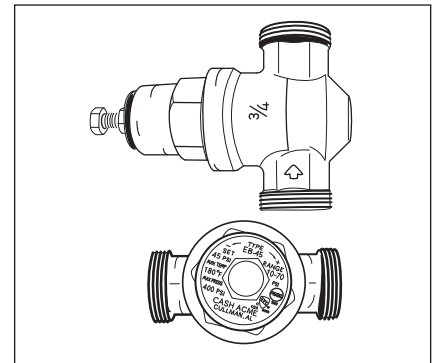


Figure 28 - A Pressure Reducing Valve is required if your home's water pressure is above 80 psi.

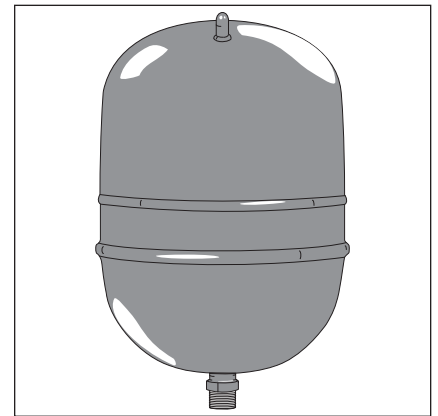
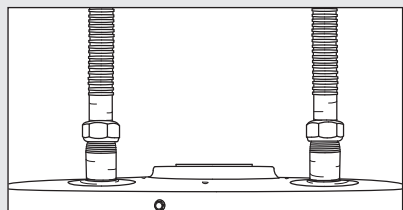


Figure 29 - The Thermal Expansion Tank should be pressurized with air to match the home's incoming water pressure.

INSTALLATION

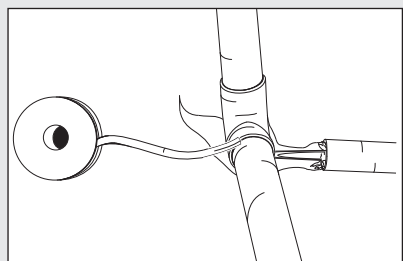
IF YOU HAVE COPPER PIPES:

If your home has copper water pipes, you can solder the water pipe connections or use compression fittings which do not require soldering. Compression fittings are easier to install than soldering pipe. Check with local plumbing officials to determine what types of pipe materials are suitable for your location. Do not use lead-based solder.



Compression fittings don't require soldering.

NOTICE: Do not solder pipes while they are attached to the water heater. The water heater's inlet and outlet connections contain non-metallic parts which could be damaged. The proper way to connect the water heater to copper water pipes is as follows:



Solder a short length of pipe (about 12 inches) to a threaded adapter using only 95/5 tin-antimony or equivalent solder. Attach the threaded adapters to the water heater's connections (using thread sealant tape or pipe joint compound). Connect the home's water pipes by soldering, keeping the connections at the water heater cool with wet rags. **DO NOT** over apply joint compound.

Step: 9

Verify Connections and Completely Fill Tank

To remove air from the tank and allow the tank to fill completely with water, follow these steps:

- 1 Remove the flow restrictor at the nearest hot water faucet. This allows debris in the plumbing system to be washed out of the pipes.
- 2 Turn the cold water supply back on and fill the tank.

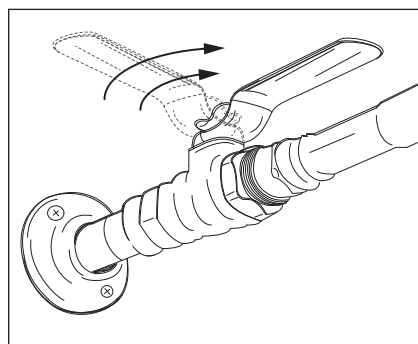


Figure 30 - Fully open the cold water supply valve.

- 3 Open a hot water faucet and allow the water to run until it flows with a full stream.
- 4 Let the water run full stream for three minutes.
- 5 Close the hot water faucet and replace the flow restrictor.
- 6 Check the inlet and outlet connections and water pipes for leaks. Dry pipe connections so that any drips or leaks will be apparent. Repair any leaks. Almost all leaks occur at connections and are not a tank leak.

Step: 10

Install Draft Hood

- 1 Install the new draft hood by aligning the legs and inserting them into the slots on the flue damper's flange (see Figure 31). Do not reuse the draft hood from the old water heater, but rather use the new one that came with your new water heater.
- 2 Secure the draft hood by bending the leg tips, but do not alter the draft hood in any way.

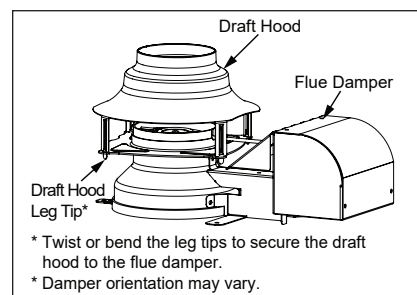


Figure 31 - Install the new draft hood.

- 3 Attach the home's existing vent pipe to the draft hood outlet using an approved vent adapter (not supplied). Read the Venting section on page 10 of this manual. Make sure your home's venting system complies with the instructions in this manual and is in good condition.

INSTALLATION

Step: 11

Make Gas Connections

The Gas Water Heater Hook-Up Kit (available at your local plumbing supplier) includes a flexible gas connector with compression fittings to connect the home's gas line to the water heater's gas control valve. Follow the kit's installation instructions to attach the flexible gas connector.

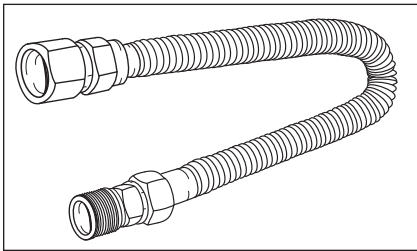


Figure 32 - Flexible Gas Line Connector

Once you have made the gas connections, use a small, soft-bristled brush to apply a hand dishwashing soap and water mixture or children's soap bubbles (1 part soap to 15 parts water) to all connection points of the gas line and flexible gas connector (if used). Make sure to generously coat all the connections and check for gas leaks (which will appear as small bubbles). If any leaks are detected, turn the gas supply off, tighten the leaking connections and re-check.

Step: 12

Electrical Connections

Before plugging in the water heater, always make sure:

- The voltage and frequency correspond to that specified on the water heater.
- The electrical outlet has the proper overload fuse or breaker protection.
- Water heater to be located within 6 feet of 120VAC outlet.
- Unit is to connect to a 120VAC electrical supply outlet (extension cord is not allowed).
- The water heater and the outlet are properly grounded.
- Installed in accordance with prevailing provisions of local codes, or in the absence of such, the National Electric Code, ANSI/NFPA 70 current edition.
- See Figure 60 on page 36 for Wire Diagram.

⚠ WARNING! Electric Shock Hazard: Disconnect power before servicing. Replace all parts and panels before operating. Failure to do so can result in death or electric shock.

⚠ WARNING! Electric Shock Hazard: Plug into a grounded 3 prong outlet. Do not remove ground prong. Do not use an adapter. Do not use an extension cord. Failure to follow these instructions can result in death, fire, or electrical shock.

INSTALLATION

BEFORE LIGHTING THE WATER HEATER...

Make sure all checklist items have been completed.

Water Heater Location

- ✓ Centrally located with the water piping system. Located as close to gas piping and vent pipe system or chimney as possible.
- ✓ Installation area free of corrosive or flammable materials, liquids or vapors.
- ✓ Proper clearances from combustible surfaces maintained and sufficient room to service the water heater.
- ✓ Not installed directly on a carpeted floor.
- ✓ Metal drain pan installed and piped to an adequate drain.
- ✓ Water heater not located near an air moving device (fan, clothes dryer).
- ✓ Not in a location with large amounts of lint, dust, etc. (if so, the air filter or flame arrestor located on the bottom of the water heater will need to be cleaned more often).
- ✓ Located indoors and in a vertical position. Protected from freezing temperatures.

Combustion Air Supply and Ventilation

- ✓ Adequate air supply for water heater and any other nearby gas appliances. If the water heater is installed in a closet or other small, enclosed space or within the living space of the house, air supply openings needed.
- ✓ Openings are of sufficient size.
- ✓ Ductwork is the same cross-sectional area as openings.
- ✓ Outside air openings are preferred and may be required in tightly built homes.

Vent Pipe System

- ✓ Vent system installed according to local and state codes or, in the absence of local and state codes, the "National Fuel Gas Code", ANSI Z223.1 (NFPA 54)-current edition.
- ✓ New draft hood, properly installed.
- ✓ Vent pipe securely fastened to draft hood with screws and supported properly.
- ✓ Check existing vent system for rust, restrictions and obstructions.

Water System Piping

- ✓ Temperature and Pressure Relief Valve properly installed with a discharge line run to an adequate drain and protected from freezing.
- ✓ Water pipes free of leaks.
- ✓ Water heater completely filled with water.
- ✓ Thermal Expansion Tank installed.
- ✓ Water Pressure Reducing Valve installed and properly adjusted to 50-60 psi.
- ✓ Thermostatic Mixing Valves installed at each point-of-use.

Gas Supply and Piping

- ✓ Gas type is the same as that listed on the water heater's data plate.
- ✓ Gas line equipped with shut-off valve, union and sediment trap.
- ✓ Adequate gas pipe size and approved gas pipe material.
- ✓ Approved pipe joint compound or tape used.
- ✓ All gas connections and fittings leak checked and any leaks corrected.

OPERATION

Lighting Instructions

▲ WARNING! Explosion Hazard — Replace viewport if glass is missing or damaged. Failure to do so can result in death, explosion or fire.

Read and understand these directions thoroughly before attempting to light or re-light the pilot. Make sure the viewport is not missing or damaged. Make sure the tank is completely filled with water before lighting the pilot. Check the data plate near the gas control valve to ensure the correct gas type. Do not use this water heater with any gas other than the one listed on the data plate. If you have any questions or doubts, consult your gas supplier or gas utility company.

NOTICE: A newly installed water heater will have air in the gas line. It may take several lighting attempts to clear all the air from the gas line and light the pilot.

Follow these steps to light the pilot:

- 1 Make sure the manual gas valve for the water heater's supply line is **ON**.

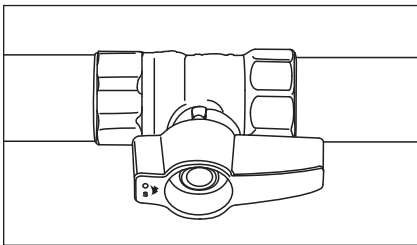


Figure 33 - Manual Gas Valve in ON position.

- 2 Plug the water heater into a grounded 120 VAC outlet.
- 3 Move the ON/OFF switch on the gas valve to the **ON** position.

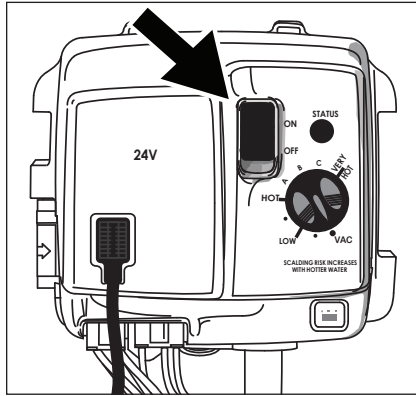


Figure 34 - Move switch to ON position.

- 4 Turn the gas valve thermostat setting to the **LOW** temperature setting.

The water heater will light automatically. DO NOT try to light the pilot by hand.

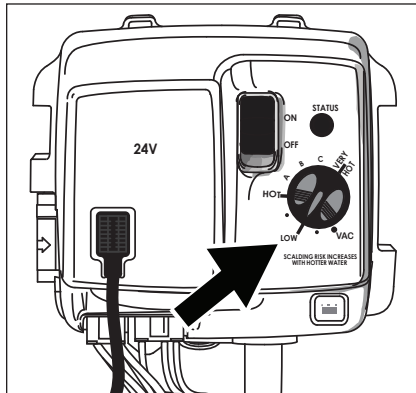


Figure 35 - Set knob to LOW setting.

- 5 When the pilot is lit, the status light will blink a heartbeat (bright, dim, bright, dim, etc.).
- 6 Adjust the gas control knob to the **HOT** setting. Follow the procedure below if you receive a flash code (six flashes followed by a single flash):
 - a. Turn the power switch on the gas valve to the **OFF** position.
 - b. Unplug the water heater from the wall outlet.
 - c. **Wait 10 minutes.**
 - d. Repeat Steps 1-4.

- 7 Follow the procedure below if the Status Light does not start flashing a "heartbeat" after three lighting attempts:

- a. Turn **OFF** gas to the water heater at the manual shut-off valve.
- b. Move the gas valve's ON/OFF switch to the **OFF** position.
- c. Refer to "No Hot Water" in the Troubleshooting section on page 25.

- When a gas water heater is first lit and the tank is cold, condensation often forms inside the water heater. You may hear drips or a sizzling sound when the water heater is first lit or, you may see a small puddle on the floor. Condensation is not a leak and will go away once the tank reaches normal operating temperature.

- The air filter at the bottom of the water heater must be cleaned from time to time. See the Maintenance section on page 32 for steps on cleaning the air filter.

Shut Down Instructions

Move the ON/OFF switch on the gas control valve/thermostat to the **OFF** position. The status light will stop blinking and stay on for a short time after the water heater is turned off.

Emergency Shut Down

Should overheating occur or the gas supply fails to shut off, follow these steps:

- a. Turn **OFF** gas to the water heater at the manual shut-off valve.
- b. Move the gas valve's ON/OFF switch to the **OFF** position.
- c. Turn **OFF** all electric power to the water heater (unplug it from the 120 VAC outlet).

OPERATION

Check the Vent System and Air Supply

▲ WARNING! Burn Hazard – DO NOT touch the vent, doing so can cause burns.

Once the water heater is lit and the gas control knob is set to the desired temperature, the burner will light (if the tank is cold). Perform an air supply and vent test to make sure the unit is venting properly and the air supply is adequate.

1 The main burner must be on for this test. With a newly installed water heater full of cold water, turning the temperature control knob to **HOT** should cause the main burner to come on. You can view the burner through the sight glass at the base of the water heater.

2 Close all windows and doors and turn on all gas appliances and air-moving devices in your home (range hoods, bathroom exhaust fans, ceiling fans, etc.). Also, close any fireplace dampers.

3 Allow the water heater's main burner to operate for five minutes. Pass a newly extinguished match approximately one inch from the draft hood's relief opening. Smoke from the match should be steadily drawn into the opening indicating the water heater is getting adequate air and the vent system is working.

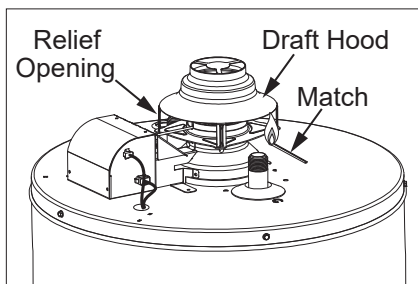


Figure 36 - Test the air supply and vent to make sure the water heater has adequate air and is venting properly.

4 If the main burner has been operating for five minutes but the match smoke drifts around or is blown away from the opening:

- Turn **OFF** gas to the water heater at the manual shut-off valve.
- Move the gas valve's ON/OFF switch to the **OFF** position.
- Turn **OFF** all electric power to the water heater (unplug it from the 120 VAC outlet).

Inspect the vent system and repair if necessary. In many cases, failure to pass the air supply and vent test indicates the water heater is not getting enough air or there is a problem with the vent system. It may be necessary to increase the air supply by getting air from outside (see page 7).

▲ WARNING! Burn Hazard – Do not touch the vent. Doing so can cause burns. If the draft hood does not draw in smoke from a match after five minutes of main burner operation, shut off the gas supply, and do not operate the water heater until the vent system and air supply have been checked by a qualified person and repaired if necessary. Continuing to operate the water heater in this condition could lead to serious injury or death from carbon monoxide poisoning.

Temperature Control System

Adjusting the Temperature

With the installation steps completed, you may adjust the water heater's temperature setting if desired.

1 Set the gas valve to the desired temperature. The "HOT" setting sets the water temperature to approximately 120°F, reducing the risk of scald injury. You may wish to set a higher temperature

to provide hot water for automatic dishwashers or laundry machines, to provide more hot water capacity, and to reduce bacterial growth. Higher tank temperatures (140°F) kill bacteria that cause a condition known as "smelly water" and can reduce the levels of bacteria that cause water-borne diseases.

Water usage patterns, as well as heat from sources such as solar collectors and ambient air, can result in temperatures higher than the thermostat set-point.

▲ WARNING! Higher temperatures increase the risk of scalding, but even at 120°F, hot water can scald. Install Thermostatic Mixing Valve(s) at each point-of-use to reduce the risk of scalding.

2 To adjust the water heater's thermostat:

Turn the gas control knob on the gas control valve to the right to the following settings:

- "VAC" 55°F
- "LOW" 91°F
- "HOT" 120°F
- "A" 130°F
- "B" 140°F
- "C" 150°F
- "VERY HOT" 155°F

NOTICE: The temperatures above are approximates. The actual temperature of the heated water may vary.

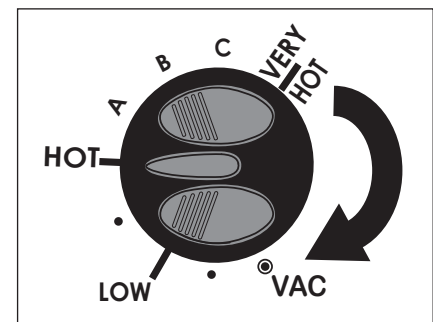


Figure 37 - Adjusting the gas control knob.

OPERATION

3 Wait for the water to heat up. If you have no hot water after two hours, refer to the Troubleshooting Section (see page 25).

NOTICE: If the tank is full of cold water, condensation may form inside the water heater. This condensation may drop on the burner causing a sizzling sound. In some cases, you may see a small puddle on the floor. Condensation is normal and should go away once the tank reaches its normal operating procedure.

⚠ WARNING! If you have increased the temperature setting and the Thermostatic Mixing Valves are not set properly (or installed) you could scald yourself while checking the temperature.

4 Check water temperature at several points of use in your home (for example, bathtub faucet, shower, or lavatory sink) and adjust the Thermostatic Mixing Valves as needed. If you are not sure how to adjust the Thermostatic Mixing Valve settings, or are not sure if you have Thermostatic Mixing Valves, contact a qualified person.

Operating Modes

Standard Mode - The controller adjusts the water heater to maintain the temperature set by the user.

Vacation - The Vacation (VAC) mode sets the thermostat at approximately 55°F and is recommended when not using hot water for an extended period of time. The VAC setting also reduces energy losses and keeps the tank from freezing during cold weather but can cause a Hydrogen gas build up. See caution on page 6.



TROUBLESHOOTING

Troubleshooting & Maintenance

If you are not qualified or are not comfortable performing any of the troubleshooting, repair or maintenance procedures that follow, call our Technical Assistance Hotline for further assistance, or contact a qualified person.

No Hot Water

Use the following step-by-step plan as a guide to help determine why you have no hot water:

1 Check the Status Light

The Status Light on the gas control valve flashes once every four seconds when there are no problems and there is no call for heat.

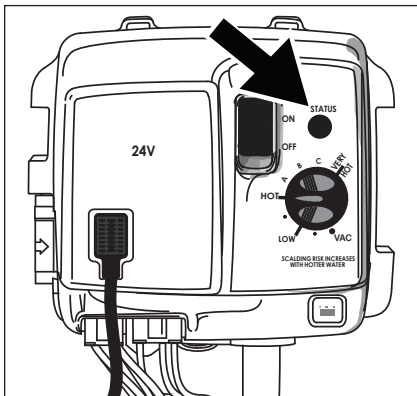


Figure 38 - Status Light

If the Status Light is flashing once every four seconds and you have no hot water, make sure the gas control knob is set to **HOT**.

If the Status Light flashes a different pattern than is described above, refer to “Gas Control Valve/Thermostat - Status Light Codes” starting on page 27.

If the Status Light is not flashing, go to Step 2.

2 Status Light is Not Flashing

If the Status Light on the gas valve does not flash, the system may be locked out. Refer to “Gas Control Valve/Thermostat - Status Light Codes” on page 27. Be sure to read the notes at the top of the flowchart.

Insufficient Hot Water or Slow Hot Water Recovery

▲ WARNING! Because of the increased risk from scalding, if you set the water heater’s gas control knob higher than 120°F, install Thermostatic Mixing Valves at each point-of-use. Due to the increased risk of scalding, DO NOT set the temperature of the Thermostatic Mixing Valves above 120°F.

If the hot water is simply not warm enough, there are several possible causes:

- Faulty Thermostatic Mixing Valve in a faucet or shower control (check other faucets in the house for hot water).
- Water heater’s capacity too small (or usage too high).
- Reversed plumbing connections or melted dip tube (usually found soon after new installation).
- Plumbing leak.
- Sediment or lime buildup in the bottom of the tank.

Thermostatic Mixing Valves. If the hot water is simply not warm enough, make sure the faucet you are checking doesn’t have a defective Thermostatic Mixing Valve. Many shower controls now have built-in mixing valves. If these devices fail, they can reduce the amount of hot water the shower or faucet delivers even though there

is plenty of hot water in the tank. Always check the water temperature at several faucets to make sure the problem is not in a faucet or shower control.

Undersized Water Heater. If your water heater runs out of hot water quickly, it may be too small for your needs. If the water heater is old, consider replacing it with a larger model. If the water heater is in good condition, you may be able to meet your family’s hot water needs with the existing water heater by installing Thermostatic Mixing Valves at each point-of-use and then turning the gas control knob to a higher setting.

You can also reduce your home’s hot water needs by washing clothes in cold water, installing flow restrictors on shower heads, repairing leaky faucets, and taking other conservation steps.

Reversed Connections or Melted Dip Tube. Check the hot and cold water connections and make sure your home’s hot water pipe is connected to the hot water outlet on the water heater. Usually, reversed connections are found soon after the installation of a new unit. If copper pipes were soldered while they were attached to the water heater, the dip tube may have melted. The dip tube is a long, plastic tube inside the tank attached to the cold water inlet. If the dip tube has melted, it can be replaced by removing the cold water inlet connection, removing the old dip tube and installing a new one.

Plumbing Leak. Even a small leak in the hot water side of the home’s plumbing system can make it appear that the water heater is producing little to no hot water. In this case, the burner will be on all or almost all the time, yet you will have very little hot water. Locate and repair the leak.

TROUBLESHOOTING

Sediment or Lime in Tank. With an existing water heater, if you have some hot water but not as much as you are used to, there may be a build up of sediment or lime on the bottom of the tank. Sediment or lime buildup can reduce the efficiency of your water heater. Heavy deposits can damage the water heater. See the Maintenance section for steps on draining and flushing the water heater.

Temperature Too High

Adjust the gas control valve/thermostat on the water heater to a lower setting. Install or adjust Thermostatic Mixing Valves at each point-of-use (see the valve manufacturer's instructions).

Low Water Pressure

Check both the cold and hot water at a sink to determine if the lower pressure is only on the hot water side. If both hot and cold faucets have low pressure, call your local water utility. If the low pressure is only on the hot water side, the primary causes are:

- Melted heat traps or dip tube. Soldering copper pipes while they are connected to the water heater can melt the heat traps inside the hot and cold water connections or the dip tube (cold water side). Melted heat traps or a melted dip tube can restrict the flow of hot water. If that is the case, replace the heat traps or dip tube.
- Partially closed supply valve. Open the water heater's supply valve fully.

Drips from T&P Relief Valve Discharge Pipe

A small amount of water dripping from the Temperature and Pressure (T&P) Relief Valve usually means the home's water pressure is too high and/or you need a Thermal Expansion Tank. See Step 1 in the Installation section on page 13 of this manual for more information.

A large amount of hot water coming from the T&P discharge pipe may be due to the tank overheating. If the T&P Relief Valve is discharging large amounts of very hot water, turn the gas supply valve off and call a qualified person.

▲ WARNING! Do not cap or plug the T&P Relief Valve or discharge pipe, and do not operate the water heater without a functioning T&P Relief Valve — this could cause an explosion.

Water Pressure Too High. High water pressure can cause the T&P Relief Valve to drip. Install a Pressure Reducing Valve (PRV) on the main cold water supply line. Adjust the PRV to between 50 and 60 psi.

Thermal Expansion Tank. Install a Thermal Expansion Tank. If a Thermal Expansion Tank is already installed and the T&P Relief Valve discharge pipe drips, the home's water pressure may be too high or the Thermal Expansion Tank may be defective. Refer to the instructions that came with the Thermal Expansion Tank for more information.

Debris. In rare cases, debris can stick inside the T&P Relief Valve preventing the valve from seating fully. In that case, the T&P Relief Valve discharge pipe will drip. You may be able to clear debris from the T&P Relief Valve by manually operating the valve, allowing small quantities of water to

flush out the debris. Refer to the T&P Relief Valve Maintenance section of this manual.

▲ WARNING! When manually operating the Temperature Pressure Relief Valve, make sure that no one is in front of or around the discharge outlet. The water may be extremely hot and could cause severe burns. Also ensure that the water discharge will not cause property damage.

If the water pressure is between 50 and 60 psi, a Thermal Expansion Tank is installed and properly pressurized, and the valve has been cleared of any debris, and it still drips, the valve may be broken — have a qualified person replace the T&P Relief Valve.

Water Odor

Harmless bacteria normally present in tap water can multiply in water heaters and give off a "rotten egg" smell. Although eliminating the bacteria that causes "smelly water" is the only sure treatment, in some cases, the standard anode rod that came with your water heater can be replaced with a special zinc anode rod which may help reduce or eliminate the odor. Contact a qualified person.

NOTICE: To protect the tank, an anode rod must be installed in the water heater at all times or the warranty is void.

In cases where the "rotten egg" smell is very strong, you could increase the tank temperature to 140°F in order to reduce the bacterial growth in the tank.

▲ WARNING! Because higher temperatures increase the risk of scalding, if you set the thermostat(s) higher than 120°F, Thermostatic Mixing Valves at each point-of-use are particularly important.

TROUBLESHOOTING

Status Light and Diagnostic Code Troubleshooting Chart

NOTICE:

- These codes apply to the gas control valve/thermostat. The location of the gas control valve/thermostat is shown on page 2.
- Refer to the following pages for detailed troubleshooting procedures.

EXAMPLE: An “Eight-Four Flash” will show eight flashes, then four flashes, followed by a three second pause. The pattern will then repeat.

*Soft Lockout - 20 minute wait before returning to normal operating mode.

LED STATUS OR ERROR CODE	INDICATES	CORRECTIVE ACTION
Short Flash once every four seconds	IDLE (no call for heat, no fault conditions)	
“Heartbeat”, alternates bright/dim	Call for Heat (no fault conditions)	
One Flash, three second pause	Low Flame Signal (control continues to operate)	<ol style="list-style-type: none"> 1) Turn the power switch on the gas control valve/thermostat to the “OFF” position and unplug the power cord from the power outlet. 2) Check the incoming gas line pressure to ensure adequate supply to the water heater. If incoming gas supply pressure is adequate, proceed to Step 3. 3) Check all wiring connections and ensure all harness and wire connections are seated firmly and provide proper electrical contact. If no connection problems are found, proceed to Step 4. Firmly seat any loose connections found. If any connections are found to be damaged, consult the replacement parts list for the appropriate replacement. After any connection problems are fixed, restart the water heater by following the lighting instructions on page 22. If the problem persists, proceed to Step 4. 4) Check the condition of the base ring filter and flame arrestor. If they are clogged, follow the instructions for cleaning on page 35. If parts are not clogged, proceed to Step 5. After cleaning, follow the instructions for lighting on page 22. If problem persists, proceed to Step 5. 5) Follow the instructions on page 34 to remove the burner assembly. Once the burner assembly has been removed, inspect the manifold tube and burner for any obstructions. If any clogs or obstructions are present, clear them. Inspect the pilot assembly’s electrode/flame sense rod for corrosion buildup, degradation, or damage. If there is evidence of any damage to the electrode/flame sense rod, replace the igniter/pilot assembly. Follow the directions on page 34 to re-install the burner assembly into the combustion chamber. Follow the instructions for lighting on page 22. If the problem persists, contact a qualified service representative.
Two Flash, three second pause	End Switch Failed Closed	<ol style="list-style-type: none"> 1) Look at the top of the water heater to see if the damper is open (Figure 31 on page 19). If the damper is open, ensure there is no obstruction that would prevent the damper from closing. If there are any obstructions, turn the power switch on the gas control valve/thermostat to the “OFF” position, then remove the obstruction. If the damper closes, turn the power switch on the gas control valve/thermostat to the “ON” position. If there are no obstructions present, turn the power switch on the gas control valve/thermostat to the “OFF” position. Observe the damper to see if the damper closes. If the damper does not close, unplug the power cord from the power outlet and proceed to Step 2. If the damper closes, turn the power switch on the gas control valve/thermostat to the “ON” position. 2) Check all wiring connections to ensure all harness and wire connections are seated firmly and provide proper electrical contact. If no connection problems are found, replace the damper. Firmly seat any loose connections found. If any connections are found to be damaged, consult the replacement parts list on page 37 for the appropriate replacement. After any connection problems are fixed, restart the water heater by following the lighting instructions on page 22. If the problem persists, replace the damper.
Three Flash, three second pause	End Switch Failed Open or TCO (Thermal Cutoff) Limit Lockout	<ol style="list-style-type: none"> 1) Turn the power switch on the gas control valve/thermostat to the “OFF” position and unplug the power cord from the power outlet. 2) Attempt to depress the TCO door switch button (see “Completed Installation” illustration on page 2). If the TCO door switch button depresses, follow the instructions for cleaning the filter and flame arrestor on page 35. After cleaning is completed, follow the lighting instructions on page 22. If the TCO door switch button does not depress, proceed to Step 3. 3) Follow the lighting instructions on page 22. Observe the damper during initial startup. If there is a call for heat and the damper opens, allow the unit to continue to perform and monitor any change in status. If there is a call for heat and the damper does not open, proceed to Step 4. 4) Check all wiring connections and ensure all harness and wire connections are seated firmly and provide proper electrical contact. If no connection problems are found, replace the damper. Firmly seat any loose connections found. If any connections are found to be damaged, consult the replacement parts list on page 37. After any connection problems are fixed, restart the water heater by following the lighting instructions on page 22. If the problem persists, replace the damper.
Four Flash, three second pause	ECO Limit Lockout	Turn the power switch on the gas control valve/thermostat to the “OFF” position, wait 10-20 seconds, then turn the power switch on the gas control valve/thermostat to the “ON” position. If the problem persists, replace the gas control valve/thermostat (see page 33).
Five Flash, three second pause	Flame Out Sequence	Turn the power switch on the gas control valve/thermostat to the “OFF” position. Wait 10 minutes, then follow the lighting instructions on page 22. If the problem persists, replace the gas control valve/thermostat (see page 33).



TROUBLESHOOTING

LED STATUS OR ERROR CODE	INDICATES	CORRECTIVE ACTION
Six-One Flash, three second pause	Soft Lockout* - Retry Limit - Failed TFI (Trial for Ignition)	<ol style="list-style-type: none"> 1) Turn the power switch on the gas control valve/thermostat to the "OFF" position. Unplug the water heater from the wall outlet. Plug the power cord back in, then follow the lighting instructions on page 22. If that does not work, turn the power switch on the gas control valve/thermostat to the "OFF" position, unplug the power cord from the power outlet, then follow the steps below. 2) Check the incoming gas line pressure to ensure adequate supply to the water heater. If incoming gas supply pressure is adequate, proceed to Step 3. 3) Check all wiring connections and ensure all harness and wire connections are seated firmly and provide proper electrical contact. If no connection problems are found, proceed to Step 4. Firmly seat any loose connections found. If any connections are found to be damaged, consult the replacement parts list for the appropriate replacement. After any connection problems are fixed, restart the water heater by following the lighting instructions on page 22. If the problem persists, proceed to Step 4. 4) Check the condition of the base ring filter and flame arrester. If they are clogged, follow the instructions for cleaning on page 35. If parts are not clogged, proceed to Step 5. After cleaning, follow the instructions for lighting on page 22. If problem persists, proceed to Step 5. 5) Follow the instructions on page 34 to remove the burner assembly. Once the burner assembly has been removed, inspect the manifold tube and burner for any obstructions. If any clogs or obstructions are present, clear them. Inspect the pilot assembly's electrode/flame sense rod for corrosion buildup, degradation, or damage. If there is evidence of any damage to the electrode/flame sense rod, replace the igniter/pilot assembly. Follow the directions on page 34 to re-install the burner assembly into the combustion chamber. Follow the instructions for lighting on page 22. If the problem persists, contact a qualified service representative.
Six-Two Flash, three second pause	Soft Lockout* - Recycle Limit - Flame Lost - END Switch Fails	<ol style="list-style-type: none"> 1) Turn the power switch on the gas control valve/thermostat to the "OFF" position and unplug the power cord from the power outlet. 2) Check all wiring connections to ensure all harness and wire connections are seated firmly and provide proper electrical contact. If no connection problems are found, replace the damper. Firmly seat any loose connections found. If any connections are found to be damaged, consult the replacement parts list on page 37 for the appropriate replacement. After any connection problems are fixed, restart the water heater by following the lighting instructions on page 22. If the problem persists, replace the damper.
Six-Three Flash, three second pause	Soft Lockout* - Recycle Limit - Flame Lost	<ol style="list-style-type: none"> 1) Turn the power switch on the gas control valve/thermostat to the "OFF" position and unplug the power cord from the power outlet. 2) Check the incoming gas line pressure to ensure adequate supply to the water heater. If incoming gas supply pressure is adequate, proceed to Step 3. 3) Check all wiring connections and ensure all harness and wire connections are seated firmly and provide proper electrical contact. If no connection problems are found, proceed to Step 4. Firmly seat any loose connections found. If any connections are found to be damaged, consult the replacement parts list for the appropriate replacement. After any connection problems are fixed, restart the water heater by following the lighting instructions on page 22. If the problem persists, proceed to Step 4. 4) Check the condition of the base ring filter and flame arrester. If they are clogged, follow the instructions for cleaning on page 35. If parts are not clogged, proceed to Step 5. After cleaning, follow the instructions for lighting on page 22. If problem persists, proceed to Step 5. 5) Follow the instructions on page 34 to remove the burner assembly. Once the burner assembly has been removed, inspect the manifold tube and burner for any obstructions. If any clogs or obstructions are present, clear them. Inspect the pilot assembly's electrode/flame sense rod for corrosion buildup, degradation, or damage. If there is evidence of any damage to the electrode/flame sense rod, replace the igniter/pilot assembly. Follow the directions on page 34 to re-install the burner assembly into the combustion chamber. Follow the instructions for lighting on page 22. If the problem persists, contact a qualified service representative.
Six-Four Flash, three second pause	Soft Lockout* - Flame Out of Sequence Sensed	Turn the power switch on the gas control valve/thermostat to the "OFF" position and unplug the power cord from the power outlet. Wait 10 minutes, then follow the lighting instructions on page 22. If the problem persists, replace the gas control valve/thermostat (see page 33).
Seven Flash, three second pause	Flammable Vapor Sensor (FVS) Lockout	<ol style="list-style-type: none"> 1) Do not touch any electrical switch, do not use any phone in the building, and do not try to light any appliance. 2) Smell around the water heater to ensure there are no gas leaks at the gas control valve/thermostat or in the supply gas line or for any other type of flammable vapors in the area. 3) Carefully inspect the area surrounding the water heater for any substances such as gasoline, paint, paint thinners, varnish, or cleaners that could emit flammable vapors. Remove anything that can potentially emit flammable vapors from the area and store it properly in a different location. 4) Contact a qualified service representative for inspection and/or replacement of the FV sensor.
Eight-One Flash, three second pause	Flammable Vapor Sensor (FVS) Fault Detected	Turn the power switch on the gas control valve/thermostat to the "OFF" position, wait 10-20 seconds, then turn the power switch on the gas control valve/thermostat to the "ON" position. If the problem persists, replace the gas control valve/thermostat.
Eight-Two Flash, three second pause	Temperature Sensor Fault Detected	Turn the power switch on the gas control valve/thermostat to the "OFF" position, wait 10-20 seconds, then turn the power switch on the gas control valve/thermostat to the "ON" position. If the problem persists, replace the gas control valve/thermostat.
Eight-Three Flash, three second pause	Electronic Fault Detected	Turn the power switch on the gas control valve/thermostat to the "OFF" position, wait 10-20 seconds, then turn the power switch on the gas control valve/thermostat to the "ON" position. If the problem persists, replace the gas control valve/thermostat.
Eight-Four Flash, three second pause	Gas Control Valve/Thermostat Fault Detected	Turn the power switch on the gas control valve/thermostat to the "OFF" position, wait 10-20 seconds, then turn the power switch on the gas control valve/thermostat to the "ON" position. If the problem persists, replace the gas control valve/thermostat.



TROUBLESHOOTING

Sequence of Operations Chart

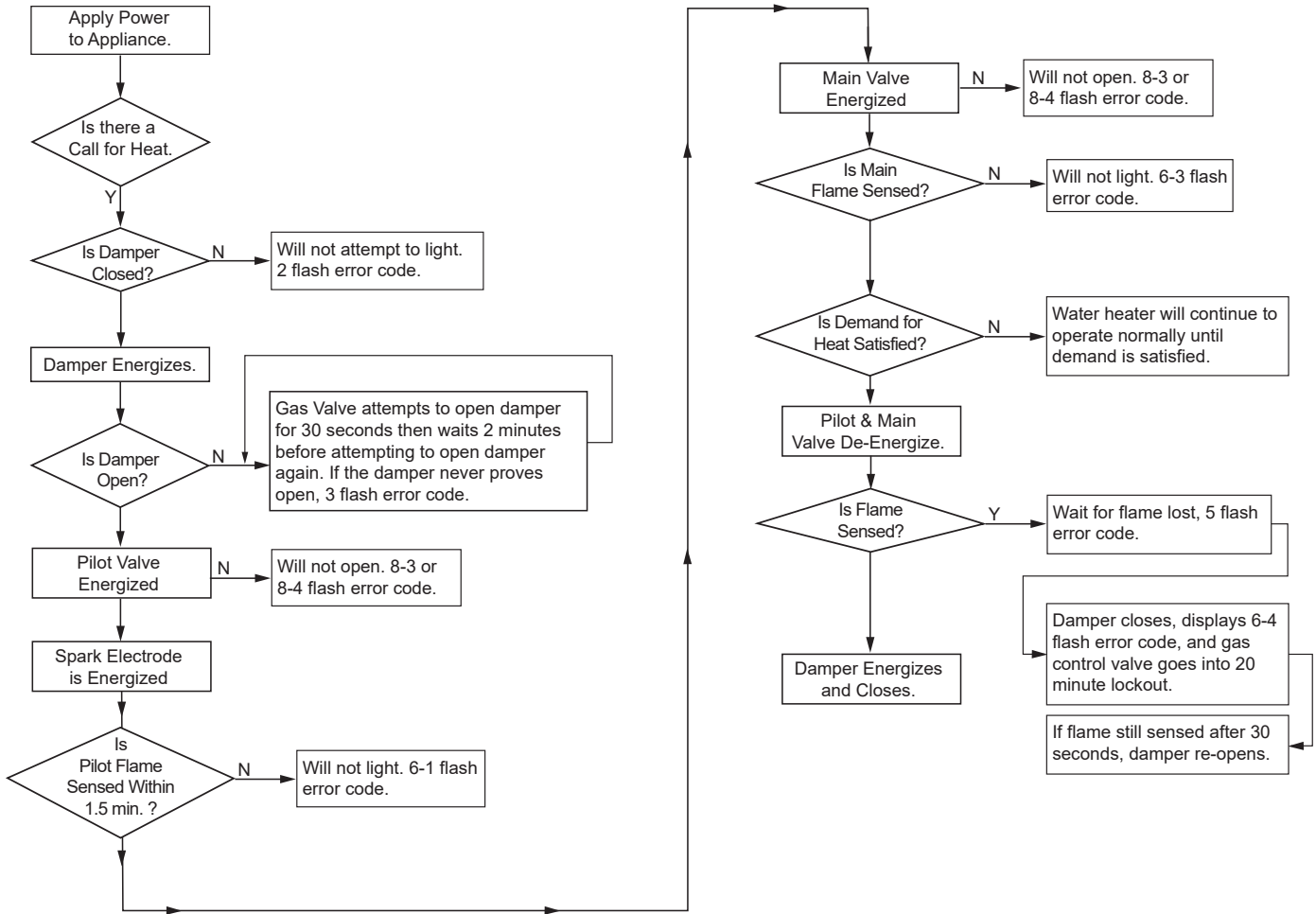


Figure 39 - Sequence of Operations Chart



MAINTENANCE

Routine Maintenance

Routine maintenance will help your water heater last longer and work better. If you cannot perform these routine maintenance tasks yourself, contact a qualified person.

IMPORTANT! Failure to perform required or recommended maintenance as described in the following sections may void the warranty.

Water Heater Maintenance

After the first six months, drain and flush the water heater and inspect the anode rod. Depending on the hardness of your water, repeat this process at least annually, or more frequently if needed.

Draining and Flushing the Water Heater

Tap water contains minerals that can form lime deposits or sediment in the bottom of the tank. The amount of lime deposits or sediment depends on the hardness of your tap water. The rate at which sediment builds up depends on water quality and hardness in your area, the temperature settings, and other variables. We recommend draining and flushing the water heater after the first six months of operation to determine the amount of sediment buildup. Draining sediment extends the life of the tank and drain valve.

IMPORTANT! Failure to drain and flush the water heater of sediment can deteriorate the tank and drain valve and cause leaks resulting in property damage.

To Drain and Flush the Tank:

- 1 Turn the gas control knob on the gas control valve to the **OFF** position.

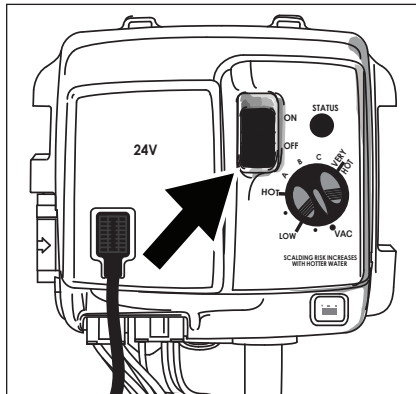


Figure 40 - Move switch to OFF position.

- 2 Turn the manual gas valve for the water heater's supply line **OFF**.
- 3 Open a hot water faucet and let the hot water run until it is cool.

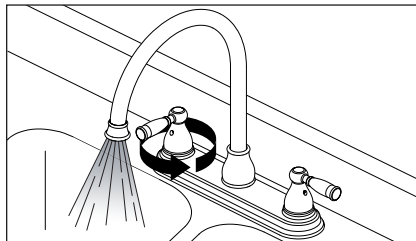


Figure 41 - Water Faucet.

▲ WARNING! Be sure the water runs cool before draining the tank to reduce the risk of scalding.

- 4 Connect a garden hose to the drain valve and place the other end of the hose in a drain, outside, or in buckets. Note that sediment in the bottom of the tank may clog the valve and prevent it from draining. If you cannot get the tank to drain, contact a qualified person.

- 5 Turn the cold water supply valve **OFF**.
- 6 Open the drain valve on the water heater.

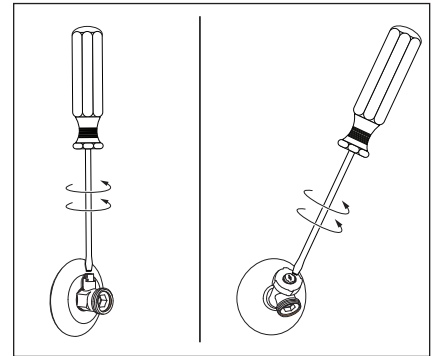


Figure 42 - Draining the water heater.

- 7 Open a hot water faucet to help the water in the tank drain faster.

NOTICE: **DO NOT** attempt to light the water heater unless the tank is completely full of water. For complete instructions on filling the tank, follow Step 8 on page 18.

- 8 If a large amount of sediment was present when the tank was drained, flush the tank by opening the cold water supply valve and letting the water run until no more sediment drains from the tank. Close the drain valve when you are done.

NOTICE: Inspect the anode rod after the first six months of operation when you drain and flush the tank. See the following section for instructions on how to inspect and replace the anode rod if necessary.

- 9 Refill the tank by opening the cold water supply valve. Make sure a hot water faucet is open and the drain valve is closed. Allow a hot water faucet to run full for at least three minutes to make sure the tank has all the air removed and is completely full of water. Once you are certain the tank is completely full of water, close the hot water faucet.

MAINTENANCE

10 Put the water heater back into operation by following the lighting instructions on page 22. Adjust the gas control knob to the desired temperature. It may take an hour or more for the tank of cold water to heat up.

Replacing the Anode Rod

Anode Rod. The anode rod is a sacrificial metal rod and is the water heater's first line of defense to prevent corrosion and premature failure (leaks) in the tank. The anode rod is a consumable item. Inspect the anode rod after the first six months of operation when you drain and flush the tank. Replace the anode rod if it is substantially worn out or depleted. Thereafter, inspect the anode rod annually or more frequently if needed. If you use a water softener, your anode rod will deplete faster than normal. Inspect the anode rod more frequently, replacing the anode rod as needed. Obtain a new anode rod from your local plumbing supplier or have a qualified person replace it. (Anode rods are a consumable item and are not covered under warranty).

1 Remove and inspect the anode rod (see Figure 61 on page 38 to locate the anode rod). Replace the anode rod if it is depleted. Turn power **OFF**. Run hot water until it is cool. Turn cold water supply valve **OFF**. Open a hot water faucet to depressurize tank. Locate and remove the black plastic cover marked "Anode." Use a "key hole" saw or similar tool to remove the foam insulation covering the anode rod. Remove the anode rod by using an impact wrench rated at 1400 ft-lb breakaway torque and fitted with a 6 point – 1- $\frac{1}{16}$ " socket turning counterclockwise. Ensure socket is seated completely on the anode head before attempting removal to avoid stripping the anode head. Inspect the anode rod and replace if depleted.

2 Apply thread sealant tape or pipe joint compound and reinstall the anode rod tightly using a 1- $\frac{1}{16}$ " socket wrench with an extension. It is not necessary to replace the foam removed to access the anode. Turn cold water supply valve **ON**. When hot water runs full, close hot water faucet. Check for leaks and repair if necessary. Turn power **ON**.

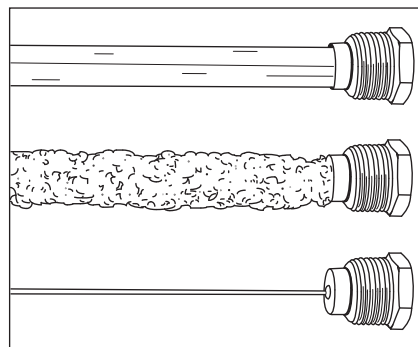


Figure 43 - Anode rods from new (top) to partially depleted (middle) to fully depleted stage (bottom).

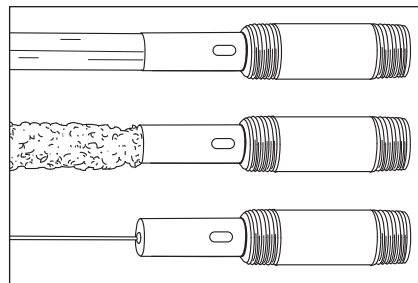


Figure 44 - Combination heat trap nipple/anode rods from new (top) to partially depleted (middle) to fully depleted stage (bottom).

NOTICE: If equipped, the combination heat trap nipple/anode rod (see Figure 44) will be located at the hot water outlet side of the unit. Use a pipe wrench at the nipple to remove and replace the combination heat trap/nipple anode rod. When removing or replacing the anode rod, use caution and **DO NOT** damage the nipple threads. If you can not perform this task yourself, contact a qualified person.

Visual Inspection

On an annual basis, visually inspect the venting and air supply system, piping systems, main burner, and pilot burner, and the air filter.

If you lack the necessary skills required to properly perform this visual inspection, or if the burner needs to be cleaned, get help from a qualified person.

Check the water heater for the following:

- Obstructions, damage, or deterioration in the venting system. Make sure the ventilation and combustion air supplies are not obstructed. Check the air filter for dust or other debris and clean if needed.
- Buildup of soot and carbon on the main burner and pilot burner. The burner may be cleaned with soap and hot water.
- Inspect the burner flames through the viewport and compare them to the drawing below. A properly operating burner should produce a soft blue flame. Blue tips with yellow inner cones are satisfactory. The tips of the flame may have a slight yellow tint. The flame should not be all yellow or have a sharp blue-orange color. Contaminated air may cause an orange colored flame. Contact a qualified technician if the flame is not satisfactory.

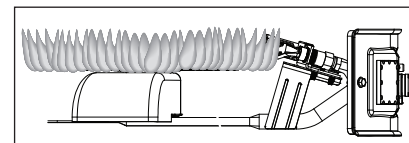


Figure 45 - Burner Flames

- Leaking or damaged water and gas piping.
- Remove any flammable, corrosive or combustible materials near the water heater.

MAINTENANCE

T&P Relief Valve Maintenance

Read and follow the operating and annual maintenance instructions provided by the manufacturer of the T&P Relief Valve (yellow label attached to T&P Relief Valve). If no label is attached to the T&P Relief Valve, follow the instructions in this section.

Minerals in the water can form deposits that cause the valve to stick or create blocked passages, making the T&P Relief Valve inoperative. Follow these guidelines:

- At least annually, inspect the T&P Relief Valve and discharge pipe for damage caused by corrosive water conditions and mineral deposits. Operate the T&P Relief Valve manually to ensure the waterways are clear and the valve mechanism moves freely (see Figure 46). Before operating the valve manually, check that it will discharge in a place for secure disposal.
- After manually operating T&P Relief Valve, remove any water in the drain pan and wipe away any water from the heater.

⚠ WARNING! Hot water will be released. Before opening the T&P Relief Valve manually, check that it will discharge in a safe place. If water does not flow freely from the end of the discharge pipe, turn the power to the water heater OFF. Call a qualified person to determine the cause.

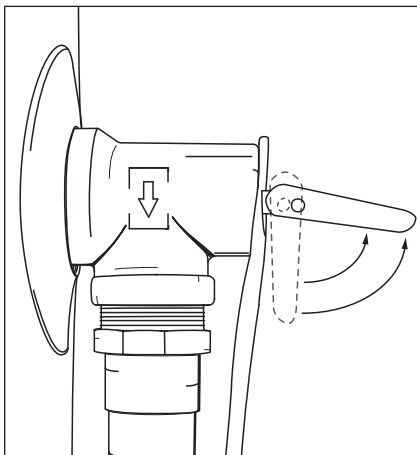


Figure 46 - T&P Relief Valve

Note that a dripping T&P Relief Valve is usually caused by the home's water pressure being too high and/or lack of a Thermal Expansion Tank. If your T&P Relief Valve drips, see page 26.

NOTICE: Expansion tanks are pre-charged with a minimum of 12 psi air charge. The expansion tank's air pressure must be adjusted to match the inlet pressure of your home but must not be higher than 80 psi.

A T&P Relief Valve that has been allowed to drip for an appreciable period of time should be inspected for mineral buildup.

Inspect and Clean Air Filter

An air filter is installed around the base of your water heater. At least annually, inspect the air filter and check for a buildup of dust or debris. If it needs to be cleaned, turn off the water heater and allow it to cool for ten minutes before cleaning. Vacuum the filter to remove any dust or debris. If an oily residue is present on the filter, wash it in soap, and water, then dry the filter.

NOTICE: If you are unable to inspect or clean the filter, follow the "Cleaning the Combustion and Flame Arrestor" instructions on page 35.

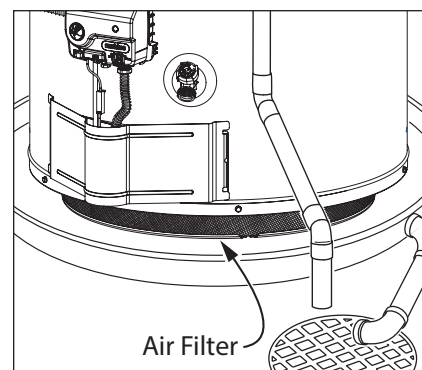


Figure 47 - Clean air filter periodically.

MAINTENANCE

Removing and Replacing the Gas Control Valve

IMPORTANT: The gas control valve provided with the water heater is a standard valve.

Removing the Gas Control Valve:

- 1 Turn the power switch on the gas control valve to the **OFF** position.

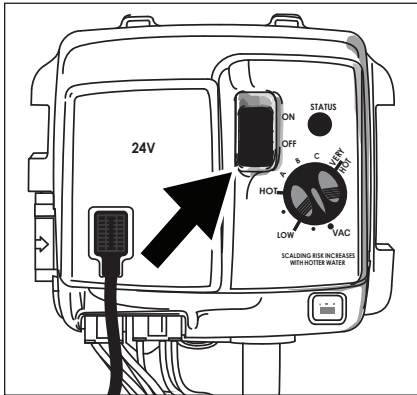


Figure 48 - Move switch to OFF position.

- 2 Turn the manual gas valve for the water heater's supply line **OFF**.

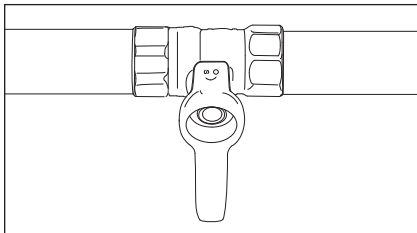


Figure 49 - Gas valve in "off" position.

- 3 Drain the water heater. Refer to the "Draining and Flushing the Water Heater" section (see page 30) and follow the procedure.

- 4 Disconnect the following items from the gas control valve:
 - A Igniter Wire
 - B Wiring Harness
 - C FV Sensor Wires
 - D Pilot Tube (7/16" wrench)
 - E Manifold Tube (3/4" wrench)

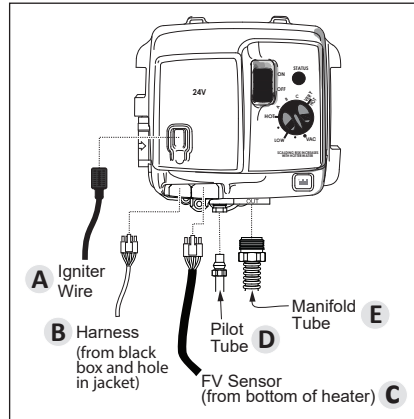


Figure 50 - Gas control valve connections.

- 5 Disconnect the ground joint union in the gas piping. Disconnect the remaining pipe from the gas control valve.

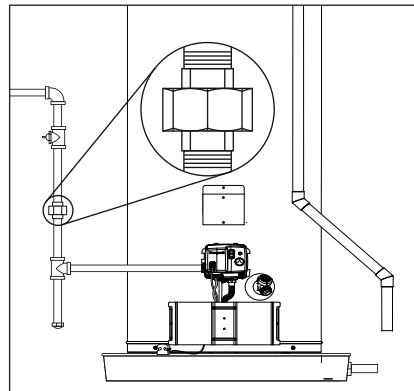


Figure 51 - Ground joint union connection.

- 6 To remove the gas control valve, thread a 4" section of gas pipe into the inlet and use it to turn the gas control valve (counterclockwise.) Do not use pipe wrench or equivalent to grip body. Damage may result, causing leaks. Do not insert any sharp objects into the inlet or outlet connections. Damage to the gas control valve may result.

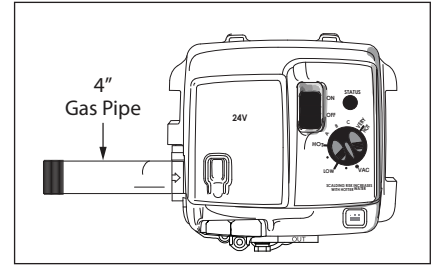


Figure 52 - Gas control valve with 4" section of threaded gas pipe.

Replacing the Gas Control Valve:

To replace the gas control valve, reassemble in reverse order. When replacing the gas control valve, thread a 4" section of gas pipe into the inlet and use it to turn the gas control valve (clockwise.) **DO NOT OVER TIGHTEN**, damage may result.

- Be sure to use approved thread sealant tape or pipe joint compound on the gas piping connections and fitting on the back of the gas control valve that screws into tank.
- Be sure to remove the pilot ferrule nut from the new gas control valve/thermostat.
- Turn the gas supply **ON** and check for leaks. Test the water heater with the main burner on by brushing on an approved noncorrosive leak detection solution. Bubbles forming indicate a leak. Correct any leak found.

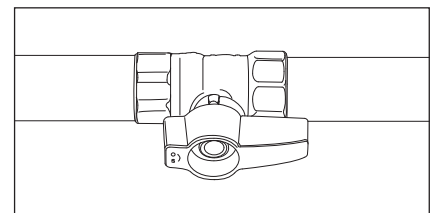


Figure 53 - Gas valve in "on" position.

- Be sure tank is completely filled with water before lighting and activating the water heater. Follow the "Lighting Instructions" on page 22.
- If additional information is required, contact our Technical Assistance Hotline which is listed on the water heater's warranty sheet.

MAINTENANCE

Removing and Replacing the Manifold/Burner Assembly

Removing the Manifold/Burner Assembly:

- 1 Turn the power switch on the gas control valve to the **OFF** position.

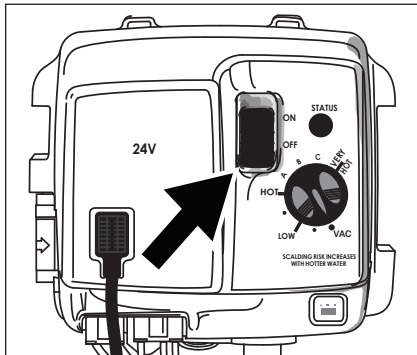


Figure 54 - Move switch to OFF position.

- 2 Turn the manual gas valve for the water heater's supply line **OFF**.

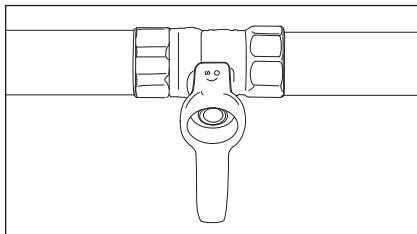


Figure 55 - Gas valve in "off" position.

- 3 Remove the outer door.
- 4 Remove the manifold screws (1/4" nut driver) securing the manifold door to the combustion chamber.

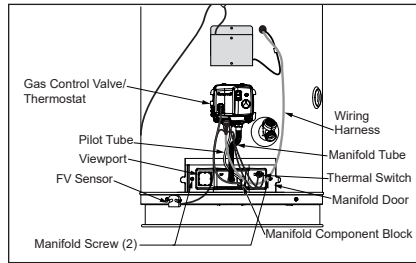


Figure 56 - Front view of water heater with outer door removed.

- 5 Go to the gas control valve/thermostat and disconnect the pilot tube (7/16" wrench), igniter wire, and manifold tube (3/4" wrench). Disconnect the FV sensor and wiring harness.
- 6 Grasp the manifold tube and push down slightly to free the manifold and pilot tube.
- 7 Carefully remove the burner door assembly from the burner compartment. To reinstall it, see "Replacing the Manifold/Burner Assembly" section.

NOTICE: Be sure not to damage internal parts.

Replacing the Manifold/Burner Assembly:



Explosion Risk

⚠ WARNING! Failure to follow these instructions can result in serious injury or death from explosion, fire or carbon monoxide poisoning.

- Tighten the manifold door screws securely.
- Remove any fiberglass between gasket and combustion chamber.
- Replace viewport if glass is missing or damaged.
- Replace the manifold component block if it is missing or removed.
- Replace door gasket if it is damaged.

- 1 Check the door gasket for damage or embedded debris prior to installation.
- 2 Inspect the viewport for damage and replace as required.
- 3 Insert the burner assembly into the burner compartment, making sure that the burner assembly sits firmly against the burner bracket and spring (if equipped) inside the combustion chamber.

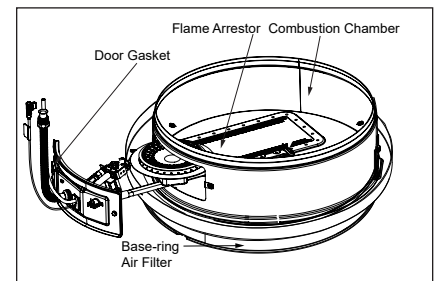


Figure 57 - Installing the burner assembly.

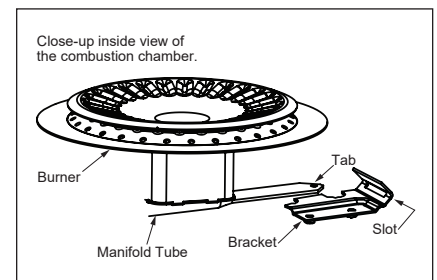


Figure 58 - Inside the combustion chamber.

- 4 Inspect the door gasket and make sure there is no fiberglass insulation between the gasket and the combustion chamber.
- 5 Replace the screws which secure the burner assembly to the combustion chamber and tighten securely. There should be no space between the gasket part of the burner door and combustion chamber.

MAINTENANCE

⚠ WARNING! DO NOT operate the water heater if the door gasket does not create a seal between the burner door and the combustion chamber.

6 Reconnect the manifold tubing (3/4" wrench), pilot tubing (7/16" wrench) to the gas control valve/thermostat. Also reconnect the FV sensor wires, wiring harness, and igniter wire (see Figure 50 for the correct position of each connection). Do not cross-thread or apply any thread sealant to the fittings.

7 Follow the "Lighting Instructions" found on page 22.

8 Check for leaks **with the main burner on** by brushing on an approved noncorrosive leak detection solution. Bubbles forming indicate a leak. Correct any leak found.

IMPORTANT: All leaks must be fixed immediately.

9 Replace the outer door.

Cleaning the Combustion Chamber and Flame-arrestor

See also "Inspect and Clean the Air Filter" on page 32.

1 Follow the steps in "Removing the Manifold/Burner Assembly" on page 34.

2 Use a vacuum cleaner/shop vac to remove all loose debris in the combustion chamber. Use compressed air to clear any dust or debris that may have accumulated in the flame-arrestor.

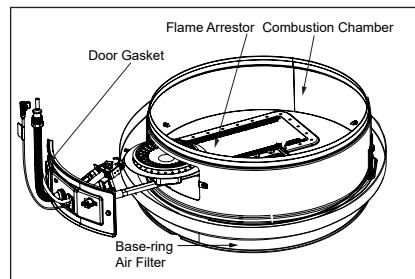


Figure 59 - Installing the burner assembly.

3 Follow the steps in "Replacing the Manifold/Burner Assembly" on page 34.

REPAIR PARTS

Replacement parts may be ordered through your plumber, local distributor, home improvement center, or by calling our Technical Assistance Hotline which is listed on your warranty. When ordering parts, always give the following information:

1. Model, serial, and product number
2. Item number
3. Parts Description

Repair Parts List

Item No.	Parts Description
1*	Draft Hood
2*	Flue Damper
3*	Flue Baffle
4*	Heat Trap (Cold) - Some Models
5*	Heat Trap (Hot) - Some Models
6*	Cold Water Dip Tube
7*	Anode Rod ▲
8*	Temperature & Pressure Relief Valve ■
9*	Drain Valve
10*	Gas Control Valve ★
11*	Outer Door ★
12A**	STP (Spark To Pilot) Pilot Assembly Kit (Natural Gas) ★
12B**	STP (Spark To Pilot) Pilot Assembly Kit (L.P. Gas) ★
13A**	Burner (Natural Gas/Low NOx) ★
13B**	Burner (L.P. Gas) ★
14A**	Burner Assembly (Natural Gas) ★
14B**	Burner Assembly (L.P. Gas Burner) ★
15**	Manifold Component Block
16**	Manifold Door Gasket ★
17**	Viewport Assembly
18*	Transformer Assembly Kit
19***	FV Sensor Kit
20***	FV Sensor Kit With Bracket
21***	FV Wire Harness
22***	Main Wire Harness

* Pictured on page 38.

** Pictured on page 39.

*** Items not shown.

Legend

- ▲ Special anode rod (see Anode Rod/Water Odor section)
- Temperature and Pressure Relief Valve is required, but may not be factory installed
- ★ Unique: FVIR System parts



REPAIR PARTS

Repair Parts Diagram (Water Heater Assembly)

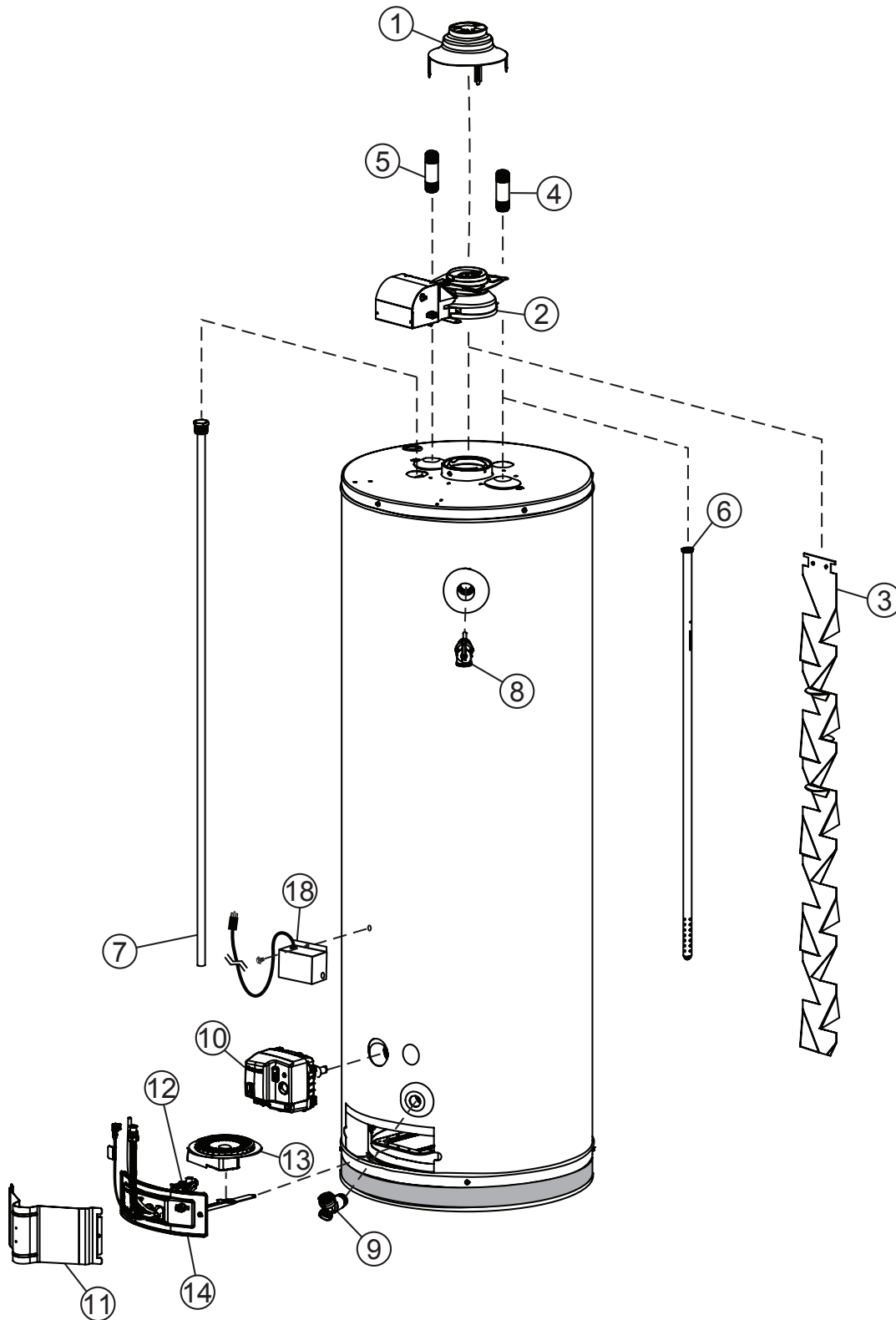


Figure 61 - Repair Parts Diagram (Water Heater Assembly)

REPAIR PARTS

Repair Parts Diagram (Burner Assembly, NG/LP)

- Item 12A: Pilot/Igniter - Flame Sensor assembly kit, which contains the pilot, igniter-flame sensor, and retainer clip (Natural Gas)
- Item 12B: Pilot/Igniter - Flame Sensor assembly kit, which contains the pilot, igniter-flame sensor, and retainer clip (L.P. Gas)
- Item 13A: Burner (Natural Gas/Low Nox)
- Item 13B: Burner (L.P. Gas)
- Item 14A: Burner assembly which contains the manifold tube, gasket, door, pilot/igniter-flame sensor assembly, manifold component block with retainer clip, thermal switch, and pilot tube (Natural Gas/Low Nox)
- Item 14B: Burner assembly which contains the manifold tube, gasket, door, pilot/igniter-flame sensor assembly, manifold component block with retainer clip, thermal switch, and pilot tube (L.P. Gas)
- Item 15: Contains manifold component block and retainer clip
- Item 16: Contains manifold door gasket
- Item 17: Contains viewport

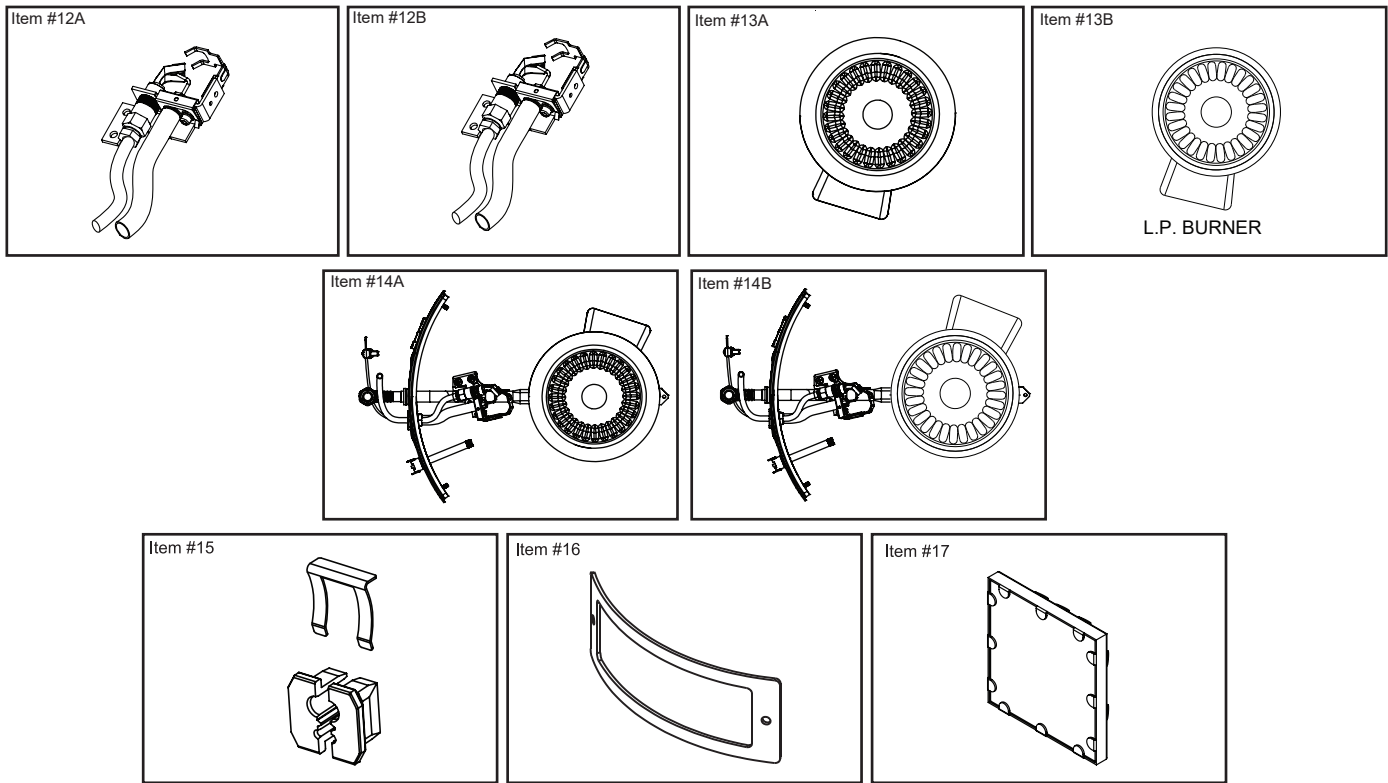


Figure 62 - Repair Parts Diagram (Burner Assembly, NG/LP)

Copyright © 2025, A.O. Smith. All Rights Reserved
Limited Warranty provided by Manufacturer.

