



SUSPENDED TRACK LIGHTING

352-6261

IST284A05-M
08/10

QUESTIONS OR CONCERNS CONTACT CANARM AT:

1-800-265-1833 (English) / 1-800-567-2513 (French)

Monday through Friday 8:00 AM to 5:00 PM E.S.T. or email to: guestservice@canarm.ca

INSTRUCTIONS PERTAINING TO RISK OF FIRE OR INJURY TO PERSONS
READ ALL INSTRUCTIONS



IMPORTANT SAFETY INSTRUCTIONS
SAVE THESE INSTRUCTIONS

TOOLS AND MATERIALS REQUIRED:



Star-headed Screwdriver



Wire Cutters



Pliers



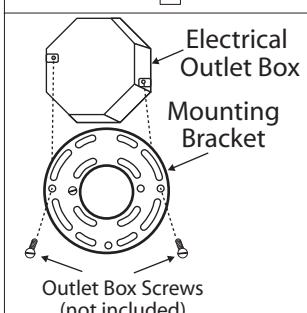
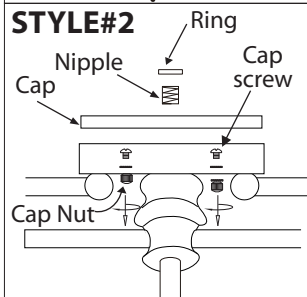
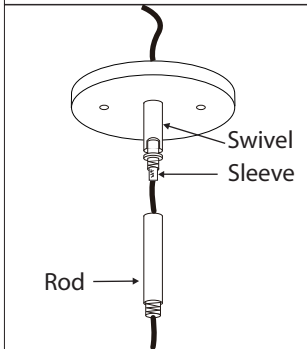
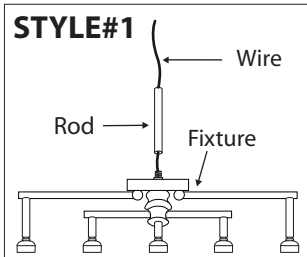
Wrench

Wiring supplies as required by the Canadian Electrical Code and/or the Quebec Electrical code

SAFETY PRECAUTIONS:

1. TURN OFF ELECTRICAL POWER BEFORE STARTING INSTALLATION OF LIGHT FIXTURE.
2. THIS PRODUCT MUST BE INSTALLED IN ACCORDANCE WITH THE APPLICABLE INSTALLATION CODE BY A PERSON FAMILIAR WITH THE CONSTRUCTION AND OPERATION OF THE PRODUCT AND THE HAZARDS INVOLVED.
3. CONNECT THE GROUND WIRES (BARE COPPER OR GREEN) FROM YOUR FIXTURE TO THE GROUND WIRE (BARE COPPER OR GREEN) OR GROUND SCREW IN THE ELECTRICAL OUTLET BOX.
4. WARNING: PLACE LIGHT SOURCE NO CLOSER THAN 18" TO ANY SURFACE.

INSTALLATION:



1. Note: Remove fixture pan, plate and rods if required (If you wish to change the downrod length) Install the length of rod that is required by threading wire through the rod and securing it to the fixture.

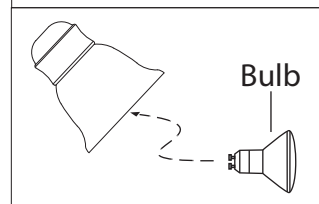
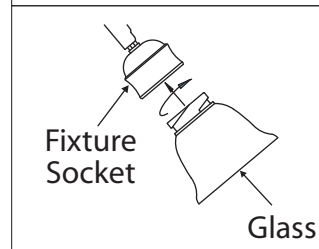
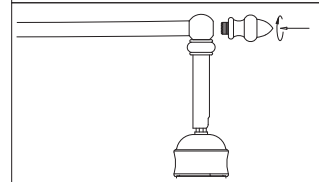
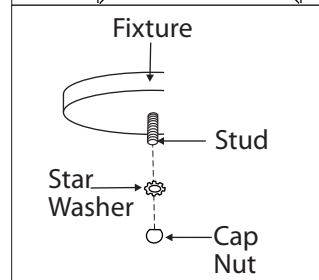
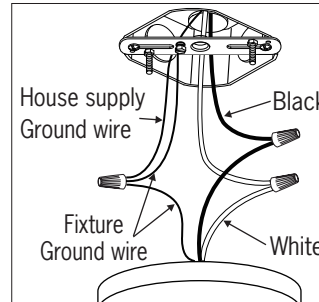
Suspended Mount

Style#1 Install swivel to the rod, ensuring that the sleeve is at the swivel.

Flush Mount

Style#2 Unscrew the ring the remove the nipple and cap, cap screws and cap nuts.

2. Mount the mounting bracket to electrical outlet box using outlet box screws (not included). Make sure the studs or nipple on the mounting bracket are facing out from the electrical outlet box.



3. Connect the ground wires (bare copper or green) from your fixture to the ground Wire (bare copper or green) or ground screw in the electrical outlet box. Connect black wire from fixture to black wire in outlet box and connect the white wire from fixture to white wire in outlet box.

4. Once connections of wires are completed, carefully tuck wires and wire nuts into the outlet box making sure no bare wire (on the black and white) is visible at the wire nuts. Position fixture over studs on mounting bracket assembly. Secure fixture in place with star washer(s) and cap nut(s).

5. Tighten the finial to the fixture.

6. Snap glass onto fixture (push, or push and turn (it depends on the style of your fixture)).

7. Install proper bulb type and wattage(not included).

