

V-SHAPE DUSK TO DAWN SOLAR FLOOD LIGHT INSTALLATION INSTRUCTIONS

PARTS INCLUDED

- (1) Flood light
- (2) Fixture mounting screws
- (2) Anchors

HOW SOLAR LIGHTS WORK

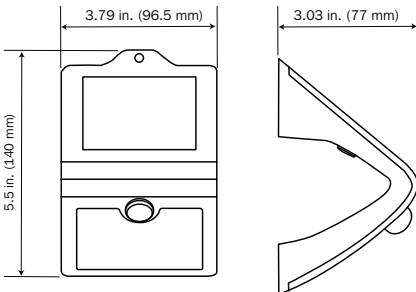
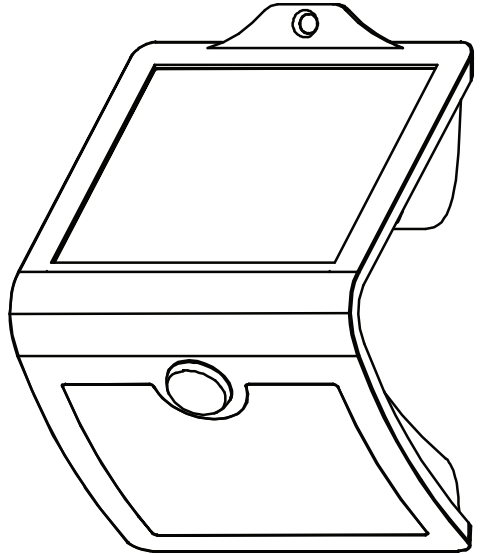
Solar light has a solar panel that converts sunlight into electricity. During the day, the electricity converted by the solar panel is stored in the rechargeable battery. At night, the solar light is powered by the battery using the electricity stored during the day. The operating time depends on geographical location, daily weather conditions and season.

Choosing the right location

Select a location with full, direct sunlight. Do not install in shady areas as these areas will not allow the battery to be fully charged and will reduce nighttime working hours. Be sure that the selected location is not close to other nighttime light sources such as street lights or porch lights. These light sources may keep the solar lights from turning on automatically.

- **IP65 Wet rated for outdoor use**
- **Charging time: 6-8 hours**
- **Working time: Up to 6 hours on a full charge**

Note: Save these instructions for future reference.



LIMITED WARRANTY

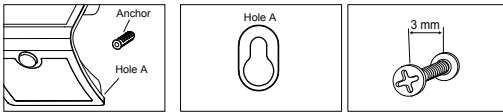
This product is warranted to be free from defects in workmanship and materials for up to 2 years from date of purchase. If it fails to do so, please contact Feit Electric at info@feit.com or call 1-866-326-BULB (2852) for instructions on replacement. Do not return the product to the store.

For comments please write to:
 Feit Electric
 Customer Service Department
 4901 Gregg Road, Pico Rivera, CA 90660

Wall Mount Installation

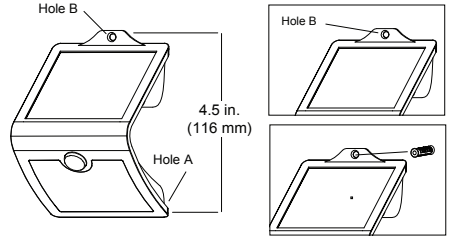
1. For hole A, drill a hole into a wall using a 6 mm drill bit and insert a screw anchor (Fig A). Insert a screw (provided) and tighten. Leave 3 mm of the screw sticking out to grasp the keyhole.

Fig A.



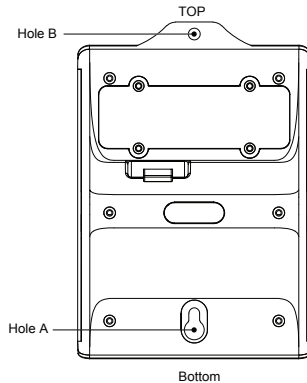
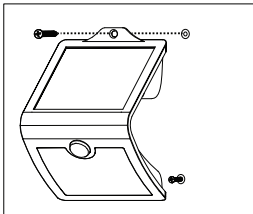
2. From hole A mark a distance upward 4.5 in. (116 mm) for hole B (Fig. B). Drill a hole into a wall using a 6 mm drill bit and insert a screw anchor.

Fig B.



3. Align the top of fixture to the hole created and insert a screw (provided) into hole B and tighten (Fig. C).

Fig C.



Light Operation Settings:

Switch Location	Mode
OFF	Unit Off
ON	When motion is detected, the lamp will turn on at 100% brightness for 30 seconds, then the light output will reduce to about 20% of max light. If motion is detected again, the lamp will turn on to full brightness for another 30 seconds.
AUTO	When motion is detected, the product will turn ON for about 2 minutes then turn off.

BATTERY REPLACEMENT

To replace the battery, unscrew the battery cover, remove the old battery and insert a new Lithium-Ion 18650 3.7V minimum 1300mAh.

WINTER TIPS

Keep debris and snow off the solar panel to allow the battery to recharge. If lights have been covered by snow for a long time, allow batteries to recharge in full, direct sunlight for at least 8 hours so they can maintain maximum capacity.

QUESTIONS, PROBLEMS, MISSING PARTS

Before returning to the store, please call our Customer Service team at Toll Free 1-866-326-BULB (2852) or at info@feit.com