

# VISSANI

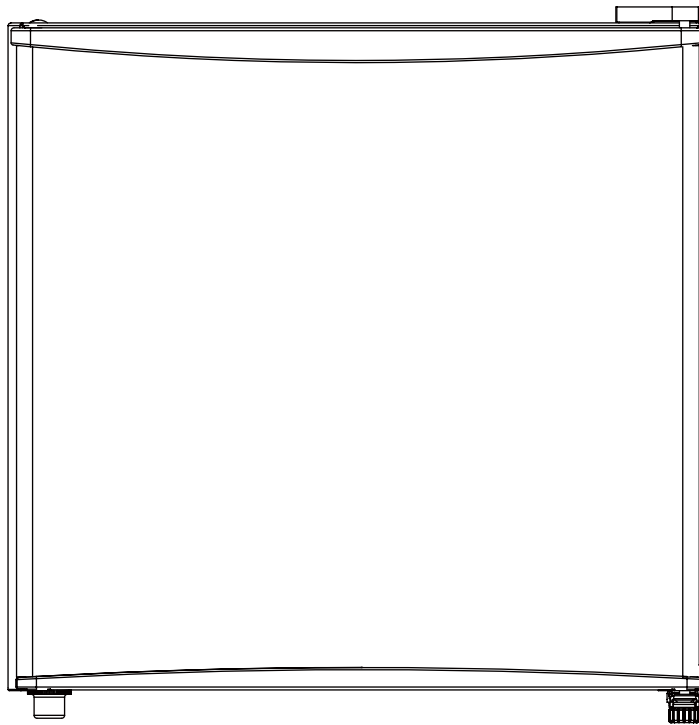
SKU # 06625569  
Model # MDAR17BK5  
SKU #  
Model # MDAR17WH5  
SKU #  
Model # MDAR17SS5

## USE AND CARE GUIDE

---

### INSTALLATION INSTRUCTIONS

#### 1.7 CUBIC FEET ALL REFRIGERATOR



Questions, problems, missing parts? Before returning to the store, call  
VISSANI Customer Service  
Mon-Fri 8:00 AM to 8:00 PM (EST) , Saturday 8:00 AM to 6:00 PM (EST)

**1-855-847-7264**

**HOMEDEPOT.COM**

---

#### **THANK YOU**

*We appreciate the trust and confidence you have placed in Vissani through the purchase of this refrigerator. We strive to continually create quality products designed to enhance your home. Visit us online to see our full line of products available for your home improvement needs. Thank you for choosing Vissani!*

# Contents

<b>Safety Warnings</b> .....	<b>2-5</b>	<b>Maintenance of Refrigerator</b> .....	<b>11</b>
Warning.....	2	Cleaning.....	11
Warnings for energy.....	3	Stop using.....	11
Warnings related to disposal.....	4	<b>Trouble Shooting</b> .....	<b>12-13</b>
Electricity related warnings.....	4	<b>Warranty</b> .....	<b>14-15</b>
Related warnings for using.....	5		
Warnings related to placing items.....	5		
<b>Proper Use of Refrigerator</b> .....	<b>6-8</b>		
Components.....	6		
Temperature Control.....	6		
Placement.....	7		
Start to use.....	7		
Energy saving tips.....	7		
Levelling feet.....	8		
Door right-left change(optional).....	8		

# Safety Warnings

## Warnings



**WARNING:** Risk of fire / flammable materials

- This appliance is intended to be used in household and similar applications such as staff kitchen areas in shops, offices and other working environments; farm houses and by clients in hotels, motels and other residential type environments; bed and breakfast type environments; catering and similar non-retail applications.
- This appliance is not intended for use by persons (including children) with reduced physical, sensory or mental capabilities, or lack of experience and knowledge, unless they have been given supervision or instruction concerning use of the appliance by a person responsible for their safety.
- Children should be supervised to ensure that they do not play with the appliance.
- If the supply cord is damaged, it must be replaced by the manufacturer, its service agent or similarly qualified persons in order to avoid a hazard.
- **DO NOT** store explosive substances such as aerosol cans with a flammable propellant in this appliance.
- The **appliance** has to be unplugged after use and before carrying out user maintenance on the appliance.
- **WARNING:** Keep ventilation openings, in the appliance enclosure or in the built-in structure, clear of obstruction.
- **WARNING:** Do not use mechanical devices or other means to accelerate the defrosting process, other than those recommended by the manufacturer.
- **WARNING:** Do not damage the refrigerant circuit.
- **WARNING:** Do not use electrical appliances inside the food storage compartments of the appliance, unless they are of the type recommended by the manufacturer.
- **WARNING:** Please abandon the refrigerator according to local regulators for its use flammable blowing gas and refrigerant.

# Safety Warnings

---

- **WARNING:** When positioning the appliance, ensure the supply cord is not trapped or damaged.
- **WARNING:** Do not locate multiple portable socket-outlets or portable power supplies at the rear of the appliance.
- **DO NOT** use extension cords or ungrounded (two prong) adapters.
- **WARNING:** Risk of child entrapment. Before you throw away your old refrigerator or freezer:
  - Take off the doors.
  - Leave the shelves in place so that children may not easily climb inside.
- The refrigerator must be disconnected from the source of electrical supply before attempting the installation of accessory.
- Refrigerant and cyclopentane foaming material used for the appliance are flammable. Therefore, when the appliance is scrapped, it shall be kept away from any fire source and be recovered by a special recovering company with corresponding qualification other than be disposed by combustion, so as to prevent damage to the environment or any other harm.
- Refrigerant and cyclopentane foaming material used for the appliance are flammable. Therefore, when the appliance is scrapped, it shall be kept away from any fire source and be recovered by a special recovering company with corresponding qualification other than be disposed by combustion, so as to prevent damage to the environment or any other harm.
- The necessity that, for doors or lids fitted with locks and keys, the keys be kept out of the reach of children and not in the vicinity of the refrigerating appliance, in order to prevent children from being locked inside.
- **WARNING:** To avoid a hazard due to instability of the appliance, it must be fixed in accordance with the instructions.

## Warnings for energy

1. Refrigerator might not operate consistently when sited for an extended period of time below the cold end of the range of temperatures for which the refrigerator appliance is designed.
2. The fact that effervescent drinks should not be stored in low-temperature compartments or cabinets, and that some products such as water ices should not be consumed too cold;
3. The need to not exceed the storage time recommended by the food manufacturers for any kind of food and particularly for commercially quick-frozen food in food-refrigerator and frozen-food storage compartments or cabinets;
4. The precautions necessary to prevent an undue rise in the temperature of the frozen food while defrosting the refrigerating appliance, such as wrapping the frozen food in several layers of newspaper.
5. The fact that a rise in temperature of the frozen food during manual defrosting, maintenance or cleaning could shorten the storage life.

# Safety Warnings

## Warnings related to disposal



The refrigerator's refrigerant and cyclopentane foam materials are combustible materials and discarded refrigerators should be isolated from fire sources and can not be burned. Please transfer the refrigerator to qualified professional recycling companies for processing to avoid damages to the environment or other hazards.



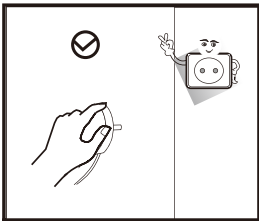
Please remove the door of the refrigerator and shelves which shall be properly placed to avoid accidents of children entering and playing in the refrigerator.



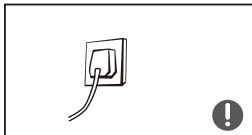
Correct Disposal of this product:

This marking indicates that this product should not be disposed with other household wastes. To prevent possible harm to the environment or human health from uncontrolled waste disposal, recycle it responsibly to promote the sustainable reuse of material resources. To return your used device please use the return and collection systems or contact the retailer where the product was purchased. They can take this product for environmental safe recycling

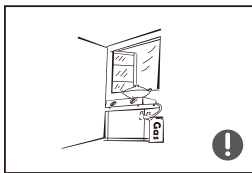
## Electricity related warnings



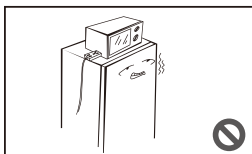
- Do not pull the power cord when pulling the power plug of the refrigerator. Please firmly grasp the plug and pull out it from the socket directly.
- Do not damage the power cord under any condition so as to ensure safety use, do not use when the power cord is damaged or the plug is worn.
- Worn or damaged power cord shall be replaced in manufacturer-authorized maintenance stations.



- The power plug should be firmly contacted with the socket or else fires might be caused. Please ensure that the grounding electrode of the power socket is equipped with a reliable grounding line.



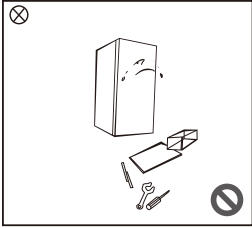
- Please turn off the valve of the leaking gas and then open the doors and windows in case of leakage of gas and other flammable gases. Do not unplug the refrigerator and other electrical appliances considering that spark may cause a fire.



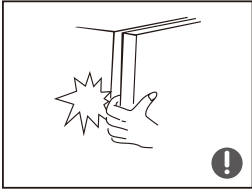
- To ensure safety, it is not recommended that to place regulators, rice cookers, microwave ovens and other appliances on the top of the refrigerator, those recommended by the manufacturer are not included. Do not use electrical appliances in the food pan.

# Safety Warnings

## Related warnings for using



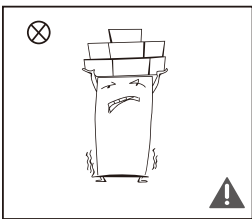
- Do not arbitrarily disassemble or reconstruct the refrigerator, nor damage the refrigerant circuit; maintenance of the appliance must be conducted by a specialist.
- Damaged power cord must be replaced by the manufacturer, its maintenance department or related professionals in order to avoid danger.



- The gaps between refrigerator doors and between doors and refrigerator body are small, be noted not to put your hand in these areas to prevent from squeezing the finger. Please be gentle when open the refrigerator door to avoid falling articles.
- Do not pick foods or containers with wet hands in the freezing chamber when the refrigerator is running, especially metal containers in order to avoid frostbite.

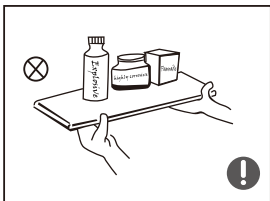


- Do not allow children to enter or climb the refrigerator to prevent that children are sealed in the refrigerator or children are injured by the falling refrigerator.
- Do not spray or wash the refrigerator; do not put the refrigerator in moist places easy to be splashed with water so as not to affect the electrical insulation properties of the refrigerator.

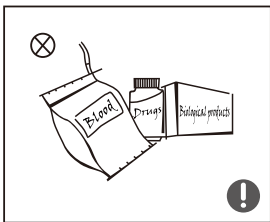


- Do not place heavy objects on the top of the refrigerator considering that objects may fall when open the door, and accidental injuries might be caused.
- Please pull out the plug in case of power failure or cleaning. Do not connect the refrigerator to power supply within five minutes to prevent damages to the compressor due to successive starts.

## Warnings related to placing items



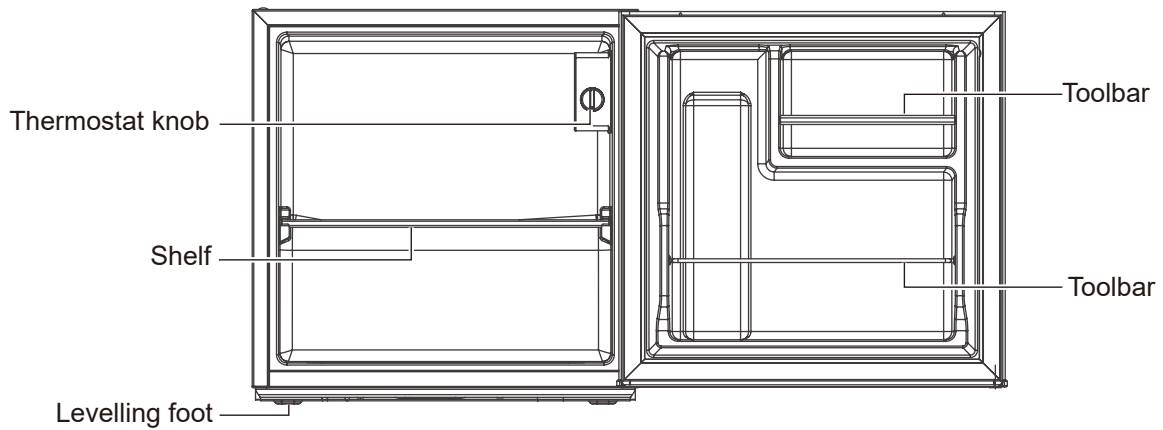
- Do not put flammable, explosive, volatile and highly corrosive items in the refrigerator to prevent damages to the product or fire accidents.
- Do not place flammable items near the refrigerator to avoid fires.



- This product is household refrigerator and shall be only suitable for the storage of foods. According to national standards, household refrigerator shall not be used for other purposes, such as storage of blood, drugs or biological products.

# Proper use of refrigerator

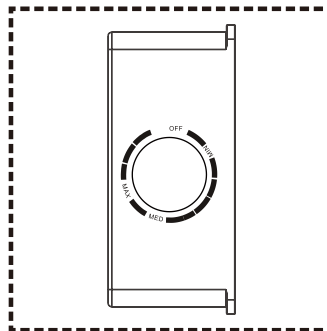
## Components



**Note:** The picture above is only for reference. The actual configuration will depend on the physical product or statement by the distributor.

- The Refrigerating Chamber is suitable for storage of a variety of fruits, vegetables, beverages and other food consume in the short term. Suggested storage time 3 days to 5 days. It is the most energy efficient to place food in the position shown in the picture above.
- Cooking foods shall not be put in the refrigerating chamber until cooled to room temperature.
- Foods are recommended to be sealed up before putting into the refrigerator.

## Temperature Control

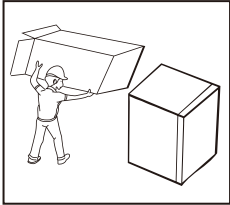


**Note:** The picture above is only for reference. The actual configuration will depend on the physical product or statement by the distributor.

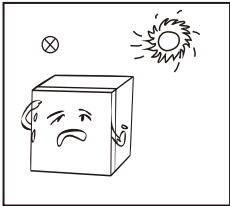
- Turn the temperature control knob to MAX, the internal temperature of the refrigerator becomes lower.
- Turn the temperature control knob to MIN, the internal temperature of the refrigerator becomes higher. The letter on the knob only represents the level, but does not mean the specific temperature, the "OFF" means stop working.
- Recommended gear: "MED"

# Proper use of refrigerator

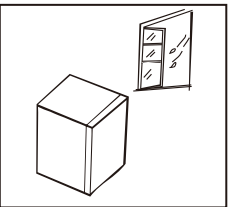
## Placement



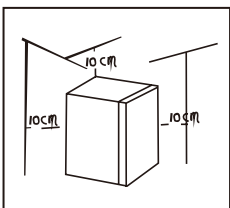
- Before using the refrigerator, remove all packaging materials including bottom cushions and foam pads and tapes inside the refrigerator, tear off the protective film on the door and the refrigerator body.



- Keep away from heat and avoid direct sunlight. Do not place the refrigerator in moist or watery places to prevent rust or reduction of insulating effect.

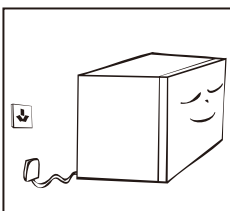


- The refrigerator should be placed in a well-ventilated indoor place; the ground shall be flat, and sturdy.



- The top space of the refrigerator shall be greater than 10cm, and the distances from both sides and backside shall be more than 10cm to facilitate heat dissipation.

## Start to use



- The refrigerator shall stay for half an hour before connecting power when it is firstly started.
- The refrigerator shall run 2 to 3 hours before loading fresh or frozen foods; the refrigerator shall run for more than 4 hours in summer in advance considering that the ambient temperature is high.

## Energy saving tips

- The appliance should be located in the coolest area of the room, away from heat producing appliances or heating ducts, and out of the direct sunlight.
- Let hot foods cool to room temperature before placing in the appliance. Overloading the appliance forces the compressor to run longer. Foods that freeze too slowly may lose quality, or spoil.
- Be sure to wrap foods properly, and wipe containers dry before placing them in the appliance. This cuts down on frost build-up inside the appliance. Appliance storage bin should not be lined with aluminum foil, wax paper, or paper toweling. Liners interfere with cold air circulation, making the appliance less efficient.
- Organize and label food to reduce door openings and extended searches. Remove as many items as needed at one time, and close the door as soon as possible.

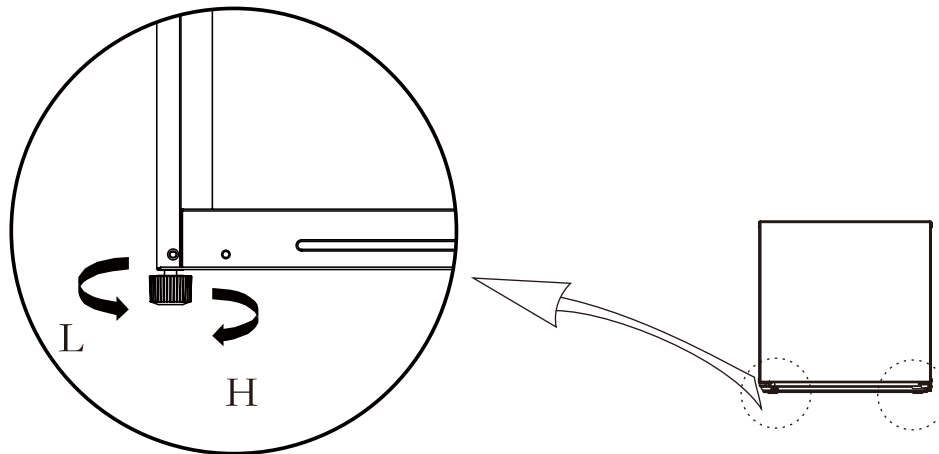
HOMEDEPOT.COM

Please contact 1-855-847-7264 for further assistance.

# Proper use of refrigerator

## Levelling feet

Schematic diagram of the leveling feet

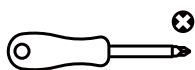


**Note:** The picture above is only for reference. The actual configuration will depend on the physical product or statement by the distributor.

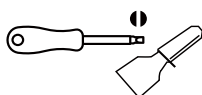
Adjusting procedures:

- Turn the feet clockwise to raise the refrigerator;
- Turn the feet counterclockwise to lower the refrigerator;
- Adjust the right and left feet based on the procedures above to a horizontal level.

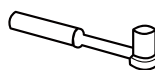
## Door right-left change (Optional)



Philips screwdriver



Putty knife Thin-blade screwdriver



5/16" socket spanner



Masking tape

### Parts to be used for door reverse

Number	Name	Quantity	Notes
A	Upper hinge	1	Pre-installed on the refrigerator, still used when door is reversed
B	Hinge cover	1	
C	Tapping locking screw	4	
D	Hole cap	1	Pre-installed on door end caps, still used when door is reversed
E	Pin	2	Pre-installed on the refrigerator, still used when door is reversed
F	Lower hinge assembly	1	
G	Leveling foot	1	

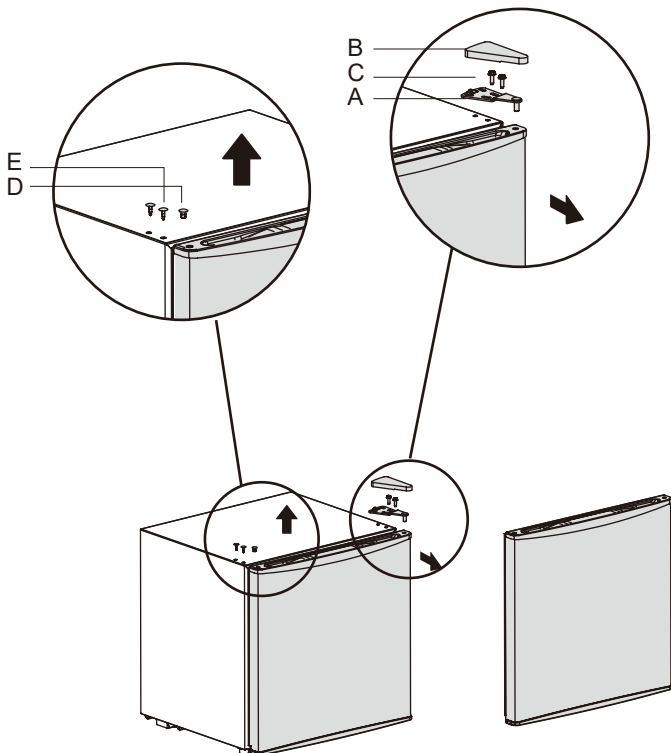
# Proper use of refrigerator

## 1



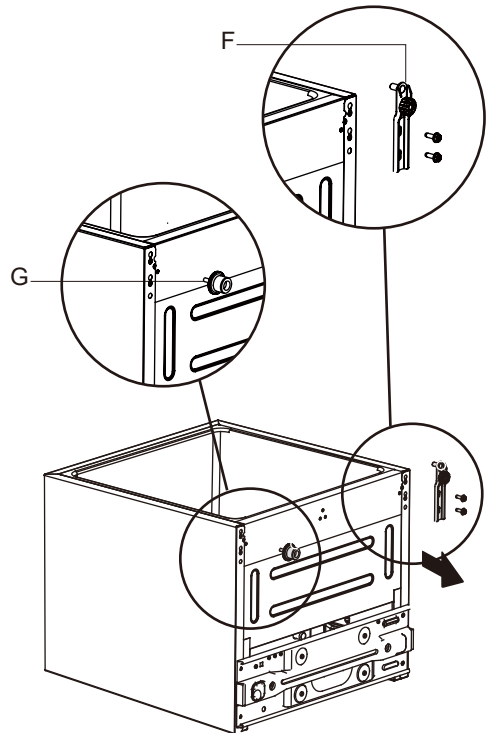
**WARNING:** Unplug the refrigerator from its electrical outlet. Empty all door shelves.

- Power off the refrigerator, and remove all objects from the door trays.
- Dismantle the hinge cover, screws and upper hinge, and remove the hole cap and pins from the other side.
- Remove the door.



## 2

- Dismantle the lower hinge assembly and levelling foot.

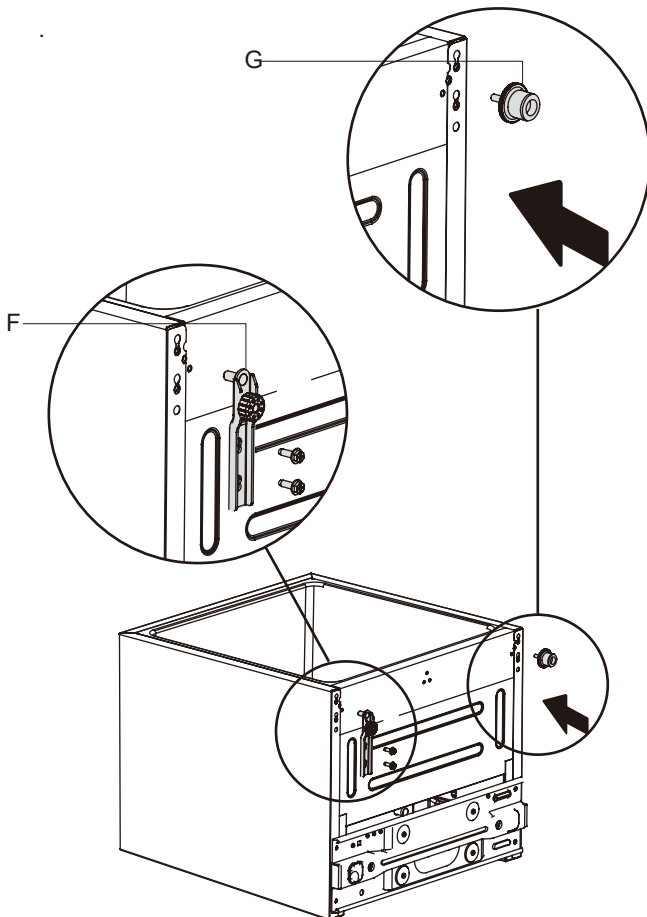


Number	Name
A	Upper hinge
B	Hinge cover
C	Tapping locking screw
D	Hole cap
E	Pin
F	Lower hinge assembly
G	Leveling foot

## Proper use of refrigerator

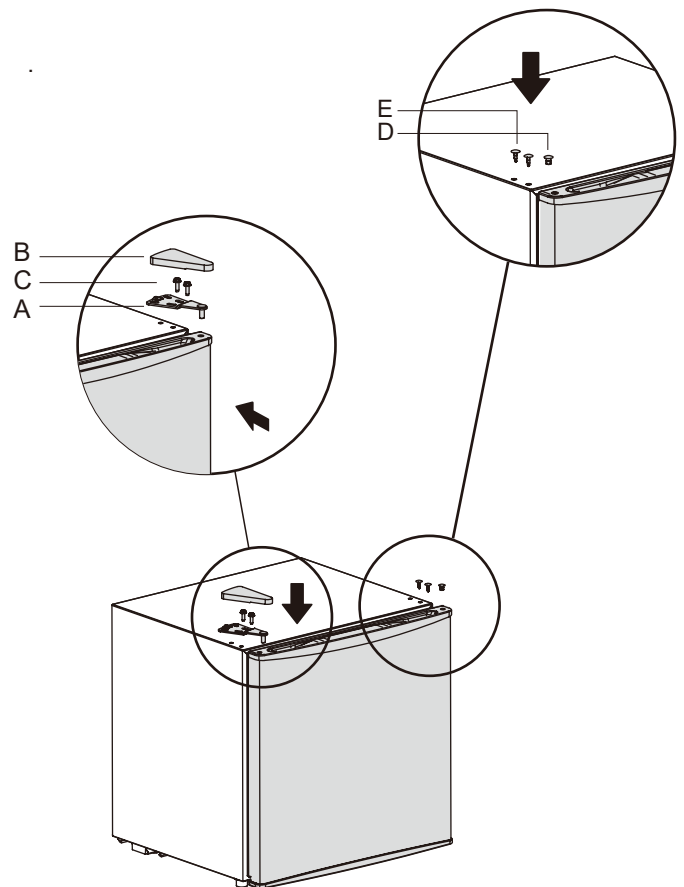
### 3

- Install the lower hinge assembly and leveling foot to the opposite.



### 4

- Put the door on lower hinge vertically, then install the upper hinge with screws you removed from left side and then install the hinge cover, finally insert the hole caps and pins on right side.



Number	Name
A	Upper hinge
B	Hinge cover
C	Tapping locking screw
D	Hole cap
E	Pin
F	Lower hinge assembly
G	Leveling foot

# Proper use of refrigerator

## Cleaning

- Dusts behind the refrigerator and on the ground shall be timely cleaned to improve the cooling effect and energy saving.
- Check the door gasket regularly to make sure there are no debris. Clean the door gasket with a soft cloth dampened with soapy water or diluted detergent.
- The interior of the refrigerator should be cleaned regularly to avoid odor.
- Please turn off the power before cleaning interior, remove all foods, drinks shelves drawers etc.
- Use a soft cloth or sponge to clean the inside of the refrigerator with, two tablespoons of baking soda and a quart of warm water. Then rinse with water and wipe clean. After cleaning open the door and let it dry naturally before turning on the power.
- For areas that are difficult to clean in the refrigerator (such as narrow sandwiches, gaps or corners), it is recommended to wipe them regularly with a soft rag, soft brush etc. and when necessary combined with some auxiliary tools (such as thin sticks) to ensure no contaminants or bacterials accumulation in these areas.
- Do not use soap, detergent, scrub powder, spray cleaner etc., as these may cause odors in the interior of the refrigerator or contaminated food.
- Clean the bottle frame, shelves and drawers with a soft cloth dampened with soapy water or diluted detergent. Dry with a soft cloth or dry naturally.
- Wipe the outer surface of the refrigerator with a soft cloth dampened with soapy water detergent, etc. and then wipe dry.
- Do not use hard brushes, clean steel balls, wire brushes, abrasives (such as toothpastes), organic solvents (such as alcohol, acetone, banana oil, etc.), boiling water, acid or alkaline items, which may damage the surface and interior. Boiling water and organic solvents such as benzene may deform or damage plastic parts.
- Do not rinse directly with water or other liquids during cleaning to avoid short circuits or affect electrical insulation after immersion.



**Please unplug the refrigerator for defrost and cleaning.**

## Stop using

- **Power failure:** Foods can be preserved for a couple of hours even in summer in case of power failure; it is recommended to reduce the frequency of opening door and do not put fresh foods into the refrigerator.
- **Long-timennonuse:** Please unplug the refrigerator left unused for a long time for cleaning. Keep the door open to avoid the bad odor.
- **Moving:** Do not turn upside or vibrate the refrigerator, the carrying angle can not be greater than 45°.
- **DO NOT** hold the door and hinge when moving this unit.



**Continuous operation is recommended when the refrigerator is started. Please do not stop the refrigerator under normal circumstances so as not to affect the refrigerator's service life.**

## Trouble shooting

You may try to solve the following simple problems by yourself. If they cannot be solved, please contact the after-sales department.

<b>Failed operation</b>	<p>Check whether the appliance is connected to power or whether the plug is in well contact</p> <p>Check whether the voltage is too low</p> <p>Check whether there is a power failure or partial circuits have tripped</p>
<b>Odor</b>	<p>Odorous foods shall be tightly wrapped</p> <p>Check whether there is any rotten food</p> <p>Clean the inside of the refrigerator</p>
<b>Long-time operation of the compressor</b>	<p>Long operation of the refrigerator is normal in summer</p> <p>When the ambient temperature is high It is not suggestible having too much food in the appliance at the same time</p> <p>Food shall get cool before being put into the appliance</p> <p>The doors are opened too frequently</p>
<b>Light fails to get lit</b>	<p>Check whether the refrigerator is connected to power supply and whether the illuminating light is damaged</p> <p>Have the light replaced by a specialist</p>
<b>Loud noises</b>	<p>The door is stuck by food packages Too much food is placed</p> <p>The refrigerator is tilted.</p>
<b>Door can not be properly closed</b>	<p>The door is stuck by food packages Too much food is placed</p> <p>The refrigerator is tilted.</p>
<b>Loud noises</b>	<p>Check whether the floor is level and whether the refrigerator is placed stably</p> <p>Check whether accessories are placed at proper locations</p>
<b>Door seal fails to be tight</b>	<p>Remove foreign matters on the door seal</p> <p>Heat the door seal and then cool it for restoration (or blow it with an electrical drier or use a hot towel for heating)</p>
<b>Water pan overflows</b>	<p>There is too much food in the chamber or food stored contains too much water, resulting in heavy defrosting</p> <p>The doors are not closed properly, resulting in frosting due to entry of air and increased water due to defrosting</p>

## Trouble shooting

<b>Hot housing</b>	Heat dissipation of the built-in condenser via the housing, which is normal. When housing becomes hot due to high ambient temperature, storage of too much food or shutdown of the compressor is shut down, provide sound ventilation to facilitate heat dissipation.
<b>Surface condensation</b>	Condensation on the exterior surface and door seals of the refrigerator is normal when the ambient humidity is too high. Just wipe the condensate with a clean towel.
<b>Abnormal noise</b>	Buzz: The compressor may produce buzzes during operation, and the buzzes are loud particularly upon start or stop. This is normal. Creak: Refrigerant flowing inside of the appliance may produce creak, which is normal.

## REFRIGERATOR LIMITED WARRANTY

Your product is protected by this Limited Warranty:

Warranty service must be obtained from SEASONS Consumer Services or an authorized SEASONS servicer.

Warranty

- One year Limited Warranty from original purchase date.

SEASONS, through its authorized servicers will:

- Pay all costs for repairing or replacing parts of this appliance which prove to be defective in materials or workmanship.

Consumer will be responsible for:

- Diagnostics, removal, transportation and reinstallation cost required because of service.
- Costs of service calls that are a result of items listed under NORMAL RESPONSIBILITIES OF THE CONSUMER\*\*

SEASONS replacement parts shall be used and will be warranted only for the period remaining on the original warranty.

## NORMAL RESPONSIBILITIES OF THE CONSUMER\*\*

This warranty applies only to products in ordinary household use, and the consumer is responsible for the items listed below:

1. Proper use of the appliance in accordance with instructions provided with the product.
2. Routine maintenance and cleaning necessary to keep the good working condition.
3. Proper installation by an authorized service professional in accordance with instructions provided with the appliance and in accordance with all local plumbing, electrical and / or gas codes.
4. Proper connection to a grounded power supply of sufficient voltage, replacement of blown fuses, repair of loosened connections or defects in house wiring.
5. Expenses for making the appliance accessible for servicing.
6. Damages to finish after installation.

## EXCLUSIONS

This warranty does not cover the following:

1. Failure caused by damage to the unit while in your possession (other than damage caused by defect or malfunction), by its improper installation, or by unreasonable use of the product, including without limitation, failure to provide reasonable and necessary maintenance or to follow the written Installation and Operating Instructions.
2. Products purchased "as-is" or refurbished are not covered by this warranty.
3. Food loss caused by refrigerator or freezer failure.
4. Service calls to repair or replace consumables such as water filters, light bulbs air filters etc., or handles, knobs and other cosmetic parts.
5. Product that has been transferred from its original owner.
6. Interior or exterior rust on the unit.
7. Damages caused by services performed by persons other than authorized SEASONS servicers; use of parts other than SEASONS replacement parts; obtained from persons other than such SEASONS customer service; or external causes such as abuse, misuse, inadequate power supply or acts of God.
8. Service calls resulting from improper installation of your product.
9. Service calls to instruct you on the use of your product.
10. Surcharges including, but not limited to, any after hour, weekend, or holiday service calls, tolls, ferry trip charges, or mileage expense for service calls to remote areas, including the state of Alaska.
11. If the unit is put to commercial, business, or other use or application other than for consumer use, we make no warranties, express or implied, including but not limited to, any implied warranty of merchantability or fitness for particular use or purpose.
12. Product that has been removed outside the USA or Canada.

# Warranty

---

13. Products without original serial numbers or products that have serial numbers which have been altered or cannot be readily determined.

NOTICE: Some states do not allow the exclusion or limitation of incidental or consequential damages. So this limitation or exclusion may not apply to you.

## IF YOU NEED SERVICE

Keep your bill of sale, delivery slip, or some other appropriate payment record. Should service be required, the date on the bill establishes the warranty period commencement date.

If service is performed, it is in your best interest to obtain and keep all receipts.

This written warranty gives you specific legal rights. You may also have other rights that vary from state to state.

# VISSANI

Questions, problems, missing parts? Before returning to the store, call  
VISSANI Customer Service  
Mon-Fri 8:00 AM to 8:00 PM (EST) , Saturday 8:00 AM to 6:00 PM (EST)

**1-855-847-7264**

**HOMEDEPOT.COM**

Retain this manual for future use.

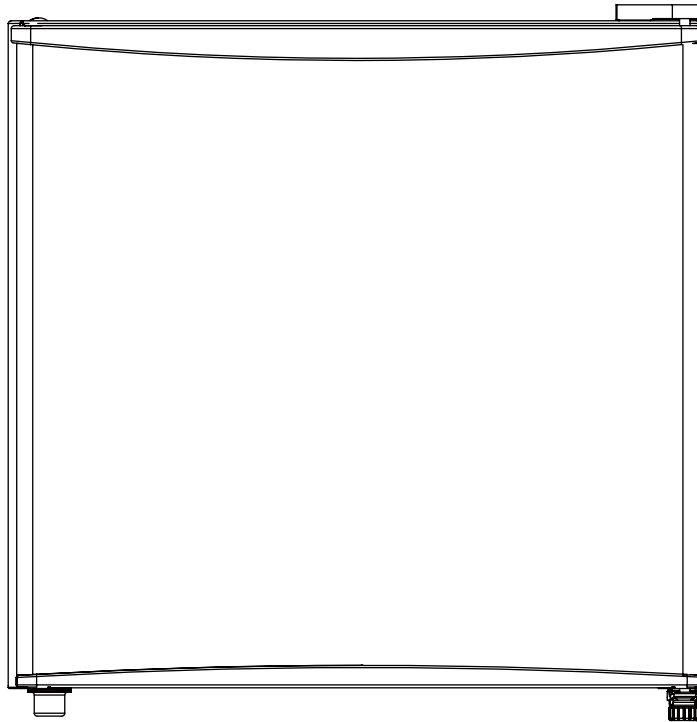
# VISSANI

SKU # 06625569  
Modelo # MDAR17BK5  
SKU #  
Modelo # MDAR17WH5  
SKU #  
Modelo # MDAR17SS5

## GUÍA DE USO Y CUIDADO

---

### INSTRUCCIONES DE INSTALACIÓN FRIGORÍFICO DE 1,7 PIES CÚBICOS



¿Preguntas, problemas, piezas faltantes? Antes de devolver a la tienda, póngase en contacto con el servicio de atención al cliente de VISSANI  
Lunes a viernes de 8:00 a. m. a 8:00 p. m. (EST) , sábados de 8:00 a. m. a 6:00 p. m. (EST)

**1-855-847-7264**

**HOMEDEPOT.COM**

#### **GRACIAS**

*Agradecemos la confianza que ha depositado en Vissani a través de la compra de este refrigerador. Nos esforzamos continuamente por crear productos de calidad diseñados para mejorar su hogar. Visítenos en línea para ver nuestra línea completa de productos disponibles para sus necesidades de mejoras para el hogar. ¡Gracias por elegir Vissani!*

# Contenido

<b>Advertencias de seguridad</b> .....	<b>2-5</b>	<b>Mantenimiento del frigorífico</b> .....	<b>11</b>
Advertencias .....	2	Limpieza .....	11
Advertencias de energía .....	3	Dejar de usarlo .....	11
Advertencias relacionadas con la eliminación .....	4	<b>Solución de problemas</b> .....	<b>12-13</b>
Advertencias relacionadas con la electricidad .....	4	<b>GARANTÍA</b> .....	<b>14-15</b>
Advertencias de uso relacionadas .....	5		
Advertencias relacionadas con la colocación de objetos .....	5		
<b>Uso adecuado del frigorífico</b> .....	<b>6-8</b>		
Componentes .....	6		
Control de temperatura .....	6		
Colocación .....	7		
Comenzar el uso .....	7		
Consejos de ahorro de energía .....	7		
Pies de nivelación .....	8		
Cambio puerta derecha-izquierda (opcional) .....	8		

## Advertencias de seguridad

### Advertencias



#### **ADVERTENCIA:** Riesgo de incendio/materiales inflamables

- Este aparato está diseñado para usarse en aplicaciones domésticas y similares como áreas con personal de cocina, oficinas y otros entornos laborales, casas de labranza y por clientes de hoteles, moteles y otros entornos de tipo residencial, entornos de hostales, catering y aplicaciones similares no relacionadas con la venta al por menor.
- Este aparato no está diseñado para que lo usen personas (incluidos niños) con capacidades físicas, sensoriales o mentales reducidas, o falta de experiencia y conocimientos, salvo que se les haya dado supervisión o instrucción respecto al uso del aparato por parte de la persona responsable de su seguridad.
- Se debe vigilar que los menores no jueguen con el aparato.
- Si el cable de alimentación está dañado, deberá ser reemplazado por el fabricante, su técnico de servicio o personas con calificación similar, con el fin de evitar riesgos.
- **NO** almacene sustancias explosivas tales como latas de aerosol con propulsores inflamables en este aparato.
- El **aparato** deberá desconectarse después de su uso y antes de que el usuario realice tareas de mantenimiento en el mismo.
- **ADVERTENCIA:** Mantenga las ranuras de ventilación, en la carcasa del aparato o en la estructura integrada, libres de cualquier obstrucción.
- **ADVERTENCIA:** No use dispositivos mecánicos u otros medios para acelerar el proceso de descongelación, salvo aquellos recomendados por el fabricante.
- **ADVERTENCIA:** No dañe el circuito del refrigerante.
- **ADVERTENCIA:** No use aparatos eléctricos dentro de los compartimentos de almacenamiento de alimentos del aparato salvo que sean del tipo recomendado por el fabricante.
- **ADVERTENCIA:** Abandone el refrigerador conforme a la normativa local respecto al uso de gas soplado inflamable y refrigerante.

## Advertencias de seguridad

---

- **ADVERTENCIA:** Cuando coloque el aparato, asegúrese de que el cable de alimentación no queda atrapado o dañado.
- **ADVERTENCIA:** No coloque múltiples salidas de tomas portátiles o alimentaciones portátiles en la parte posterior del aparato.
- **NO** utilice extensiones eléctricas ni adaptadores sin conexión a tierra (de dos clavijas).
- **ADVERTENCIA:** Riesgo de atrapamiento infantil. Antes de que retire su viejo refrigerador o frigorífico:
  - Retire las puertas.
  - Deje los estantes en su sitio para que los niños no puedan trepar fácilmente al interior.
- Se debe desconectar el refrigerador de la Fuente de alimentación eléctrica antes de intentar la instalación de accesorios.
- El refrigerante y el material de espuma de ciclopentano usados en el aparato son inflamables. Por lo tanto, cuando se raya el aparato, se debe mantener alejado de cualquier fuente de calor y lo debe llevar a una empresa especial de recubrimientos para restaurar la superficie dañada en lugar de incinerar el aparato, para evitar daños al medioambiente o cualquier otro daño.
- El refrigerante y el material de espuma de ciclopentano empleados en el aparato son sustancias inflamables, por lo que, cuando se deseche el aparato, deberá mantenerse alejado de cualquier fuente de flama y ser recogido por una empresa especial de recuperación debidamente calificada, en lugar de ser eliminado por combustión, a fin de evitar daños al medio ambiente u otros perjuicios.
- En el caso de puertas o tapas equipadas con cerraduras y llaves, es preciso mantener las llaves fuera del alcance de los niños y no cerca del aparato frigorífico, para evitar que los niños se encierren en su interior.
- **ADVERTENCIA:** Para evitar riesgos debido a la inestabilidad del aparato, debe fijarse conforme a las instrucciones.

## Advertencias de energía

1. El frigorífico puede no operar de forma consistente cuando se asiente durante un periodo prolongado de tiempo por debajo del extremo frío de la gama de temperaturas para las que está diseñado el aparato frigorífico.
2. El hecho es que las bebidas efervescentes no deben guardarse en armarios o receptáculos a baja temperatura y que algunos productos como los cubitos de hielo no deben consumirse demasiado fríos;
3. Es necesario no exceder el tiempo de almacenamiento recomendado por los fabricantes de los alimentos de ningún tipo de alimento en especial alimentos de congelación rápida comercialmente en compartimentos o receptáculos de almacenamiento de alimentos congelados;
4. Las precauciones necesarias para prevenir un aumento indebido de la temperatura de los alimentos congelados mientras de descongela el aparato de refrigeración, como envolver los alimentos congelados en varias capas de papel de periódico.
5. El hecho de que un aumento en la temperatura de los alimentos congelados durante la descongelación manual, mantenimiento o limpieza puede acortar la vida de almacenamiento.

# Advertencias de seguridad

## Advertencias relacionadas con la eliminación



El refrigerante del frigorífico y los materiales de espuma de ciclopentano son materiales combustibles y se deben aislar los frigoríficos eliminados de fuentes de calor y no pueden quemarse. Remita el frigorífico a empresas de reciclado profesionales cualificadas para su procesamiento y así evitar daños al medioambiente u otros riesgos.



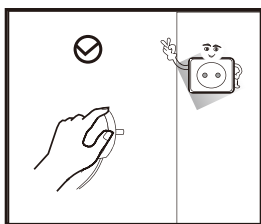
Retire la puerta del frigorífico y estanterías que deben ser colocados debidamente para evitar accidentes de niños que entran y juegan en el interior del frigorífico.



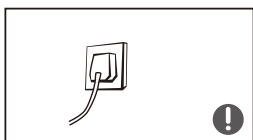
Eliminación correcta de este producto:

Esta marca indica que este producto no debe eliminarse con otros residuos domésticos. Para evitar daños potenciales al medio ambiente o a la salud humana como consecuencia de la eliminación incorrecta de residuos, recíclelo de forma responsable para promover la reutilización sostenible de los recursos materiales. Para la devolución de su aparato usado, emplee los sistemas de devolución y recuperación o póngase en contacto con el establecimiento donde adquirió el aparato. Ellos pueden recibir este producto para reciclarlo de forma segura para el medio ambiente.

## Advertencias relacionadas con la electricidad



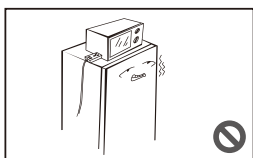
- No tire del cable de alimentación cuando desconecte el cable de alimentación del frigorífico. Agarre con fuerza el enchufe y extráigalo de la toma directamente.
- No dañe el cable de alimentación bajo ninguna circunstancia para asegurar el uso seguro; no lo use cuando el cable de alimentación presente daños o el enchufe esté gastado.
- Un cable de alimentación gastado o que presente daños debe sustituirlo el fabricante – estaciones de mantenimiento autorizadas.



- El enchufe debe estar en contacto firme con la toma o de lo contrario se pueden producir incendios. Asegúrese de que el electrodo a tierra de la toma de corriente está equipado con una línea a tierra fiable.



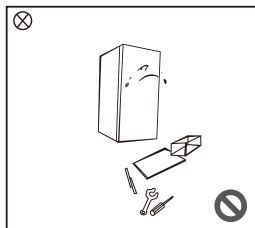
- Apague la válvula del gas que se filtra y después abra las puertas y ventanas en caso de fuga de gas o de otros gases inflamables. No desenchufe el frigorífico u otros aparatos eléctricos considerando que una chispa puede provocar un incendio.



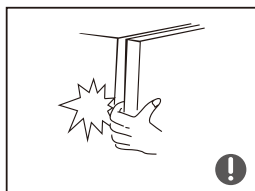
- Para garantizar la seguridad, no es recomendable colocar reguladores, arroceras, hornos de microondas y demás electrodomésticos en la parte superior del frigorífico, no se incluyen los recomendados por el fabricante. No use aparatos eléctricos en la bandeja de los alimentos.

# Advertencias de seguridad

## Advertencias de uso relacionadas



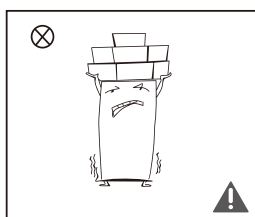
- No desmonte ni reconstruya arbitrariamente el refrigerador, ni tampoco dañe el circuito de refrigerante; el mantenimiento del aparato debe ser llevado a cabo por un especialista.
- En caso de que el cable de alimentación esté dañado, debe ser reemplazado por el fabricante, su departamento de mantenimiento o profesionales correspondientes, con objeto de evitar situaciones de peligro.



- Los espacios entre las puertas del refrigerador y entre las puertas y la carcasa del refrigerador con pequeños; tenga cuidado en no poner las manos en esta zona para evitar pillarse los dedos. Tenga cuidado cuando abra la puerta del refrigerador para evitar que se caigan artículos.
- No coja alimentos o recipientes con las manos húmedas en la cámara de congelación cuando el refrigerador esté en funcionamiento, en especial recipientes metálicos, para evitar congelaciones.

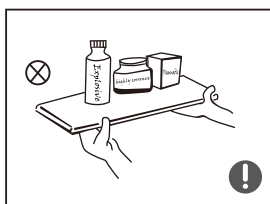


- No deje que los niños entren o se suban al refrigerador para evitar que los niños queden atrapados en el refrigerador o que se lesionen en caso de que se caiga el refrigerador.
- No pulverice o lave el refrigerador; no coloque el refrigerador en espacios húmedos donde sea fácil salpicarlo con agua para no afectar a las propiedades aislantes eléctricas del refrigerador.

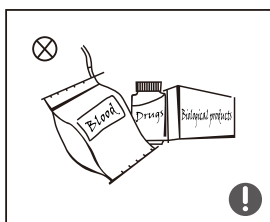


- No coloque objetos pesados en la parte superior del refrigerador teniendo en cuenta que los objetos pueden caerse al abrir la puerta y se pueden producir lesiones accidentales.
- Extraiga el cable en caso de un fallo de alimentación o limpieza. No conecte el refrigerador a la alimentación en cinco minutos para evitar daños al compresor debido a arranques sucesivos.

## Advertencias relacionadas con la colocación de objetos



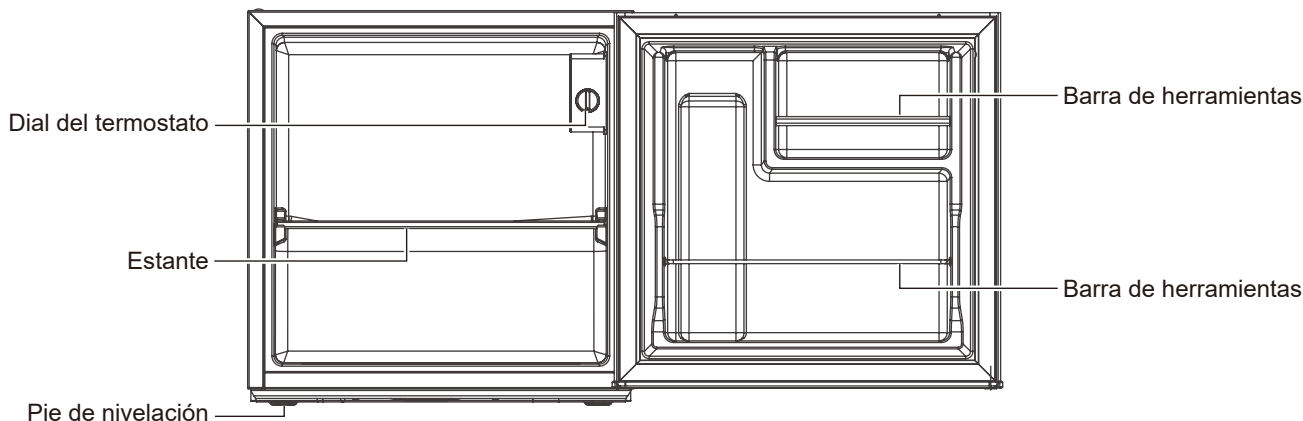
- No coloque artículos inflamables, explosivos, volátiles o altamente corrosivos en el refrigerador para evitar daños al producto o accidentes por fuego.
- No coloque artículos inflamables cerca del refrigerador para evitar incendios.



- Este producto es un refrigerador doméstico y solo es apto para el almacenamiento de alimentos. Según los estándares nacionales, los refrigeradores domésticos no deben usarse para otra finalidad, como el almacenamiento de plasma, fármacos o productos biológicos.

# Uso adecuado del frigorífico

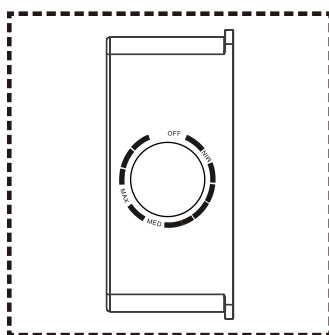
## Componentes



**Nota:** La imagen que aparece arriba tiene solo una finalidad de referencia. La configuración real dependerá del producto físico o declaración por parte del distribuidor.

- La cámara de refrigeración es apta para el almacenamiento de una amplia variedad de frutas, verduras, bebidas y otros alimentos consumibles a corto plazo. Tiempo de almacenamiento sugerido de 3 a 5 días. Es lo más eficiente energéticamente colocar alimentos en la posición que se muestra en la imagen que aparece arriba.
- No se deben colocar alimentos cocinados en la cámara del congelador hasta que no estén refrigerados a temperatura ambiente.
- Se recomienda que los alimentos se sellen antes de ponerlos en el congelador.

## Control de temperatura

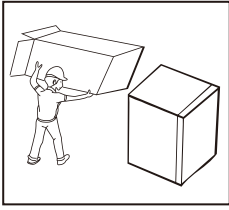


**Nota:** La imagen que aparece arriba tiene solo una finalidad de referencia. La configuración real dependerá del producto físico o declaración por parte del distribuidor.

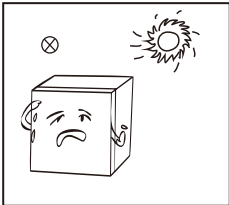
- Gire el dial de control de temperatura a MAX; la temperatura interna del frigorífico disminuye.
- Gire la perilla de control de temperatura hasta "MIN", la temperatura del interior del frigorífico aumentará. La letra en la perilla representa únicamente el nivel, y no indica la temperatura específica, "OFF" significa que el frigorífico está apagado.
- Velocidad recomendada: "MED"

# Uso adecuado del frigorífico

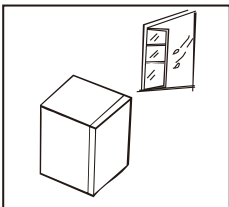
## Colocación



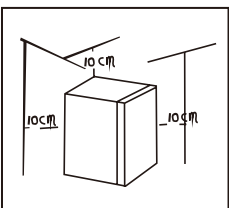
- Antes de usar el frigorífico, retire todos los materiales del embalaje incluyendo almohadillos inferiores, espumas y cintas del interior del frigorífico; retire la película protectora de la puerta y del cuerpo del frigorífico.



- Manténgalo alejado del calor y evite la luz solar directa. No coloque el frigorífico en lugar húmedos o con agua para evitar el óxido o la reducción del efecto aislante.

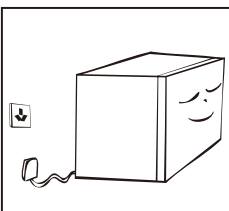


- El frigorífico tiene que colocarse en un lugar interior con buena ventilación, sobre un suelo robusto y nivelado.



- El espacio libre superior del frigorífico deberá ser superior a 10 cm y las distancias a ambos lados y en la parte posterior deberán ser superiores a 10 cm, lo que facilitará la disipación del calor.

## Comenzar el uso



- El frigorífico debe permanecer parada media hora antes de conectar la alimentación antes de que se arranque por primera vez.
- El frigorífico debe funcionar de 2 a 3 horas antes de cargar alimentos frescos o congelados; el frigorífico debe funcionar durante más de 4 horas en verano antes de considerar que la temperatura ambiente es alta.

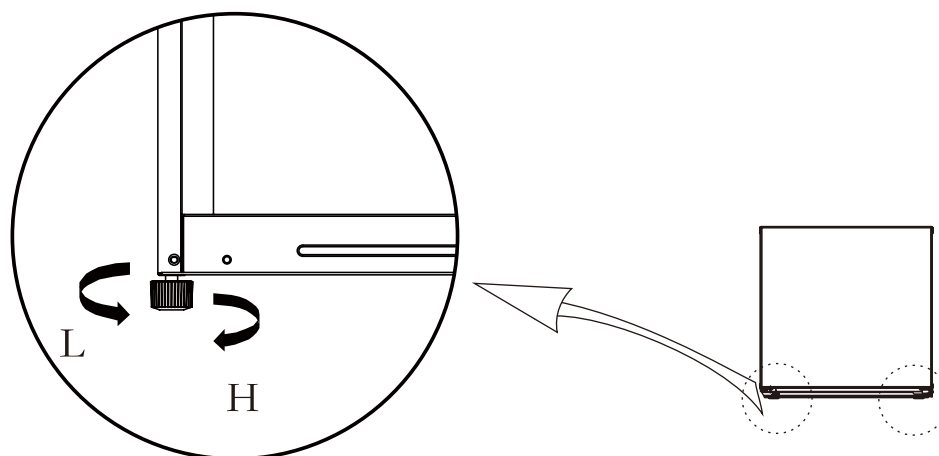
## Consejos de ahorro de energía

- Coloque el aparato en la zona más fresca de la habitación, apartado de aparatos o conductos de calefacción que generen calor y protegido de la luz directa del sol.
- Deje que los alimentos calientes se enfríen a temperatura ambiente antes de colocarlos en el aparato. Si el aparato se sobrecarga, el compresor funcionará durante más tiempo. Los alimentos que se congelan muy lentamente pueden perder calidad o estropearse.
- Asegúrese de envolver adecuadamente los alimentos y secar los recipientes antes de colocarlos en el aparato. Esto reduce la acumulación de escarcha en el interior del aparato. No forre el receptáculo de recolección del aparato con papel aluminio, papel encerado o toallas de papel. Los revestimientos interfieren con la circulación del aire frío, haciendo que el aparato sea menos eficiente.
- Organice y etiquete los alimentos para reducir las aperturas de la puerta y búsquedas prolongadas. Retire tantos artículos como necesite de una vez y cierre la puerta a la mayor brevedad posible.

# Uso adecuado del frigorífico

## Pies de nivelación

Diagrama esquemático del nivelado de los pies

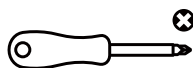


**Nota:** La imagen que aparece arriba tiene solo una finalidad de referencia. La configuración real dependerá del producto físico o declaración por parte del distribuidor.

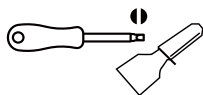
Procedimientos de ajuste:

- Gire los pies en sentido horario para subir el frigorífico;
- Gire los pies en sentido antihorario para bajar el frigorífico;
- Ajuste los pies derecho e izquierdo basándose en los procedimientos que aparecen arriba para alcanzar el nivel horizontal.

## Cambio puerta derecha-izquierda (opcional)



Destornillador de estrella



Destornillador de cuchilla fina de cabeza plana



Llave de vaso de 5/16"



Cinta de pintor

### Piezas a usar para dar la vuelta a la puerta

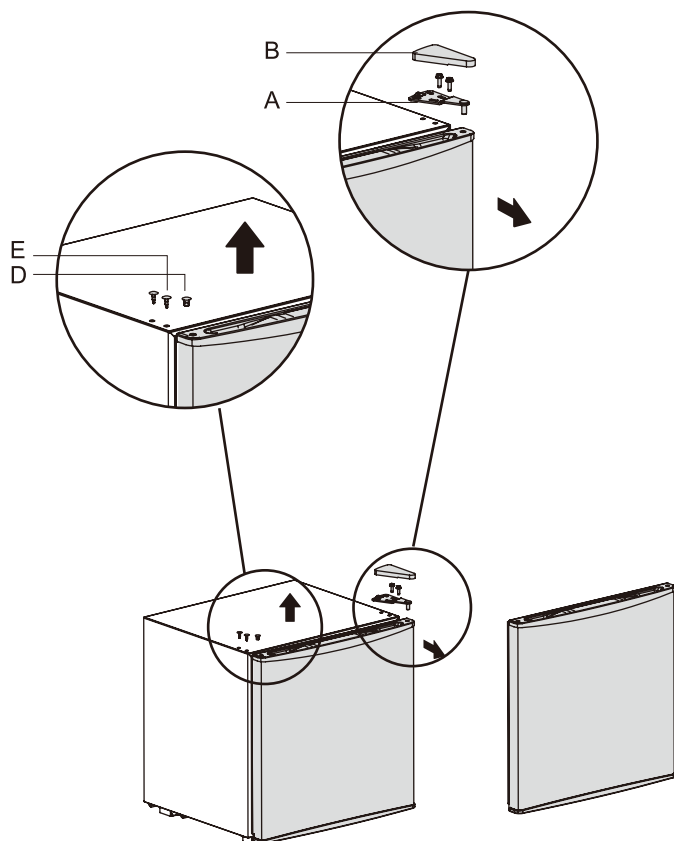
Número	Nombre	Cantidad	Notas
A	Quicio superior	1	Preinstalado en el frigorífico, todavía se usa cuando se da la vuelta a la puerta
B	Cubierta del quicio	1	
C	Tornillo de bloqueo de rosca	4	
D	Tapa del agujero	1	Preinstalado en los tapones terminales de la puerta, también se usa cuando se da la vuelta a la puerta
E	Pasador	2	Preinstalado en el frigorífico, todavía se usa cuando se da la vuelta a la puerta
F	Conjunto del quicio más bajo	1	
G	Pie de nivelación	1	

# Uso adecuado del frigorífico

## 1

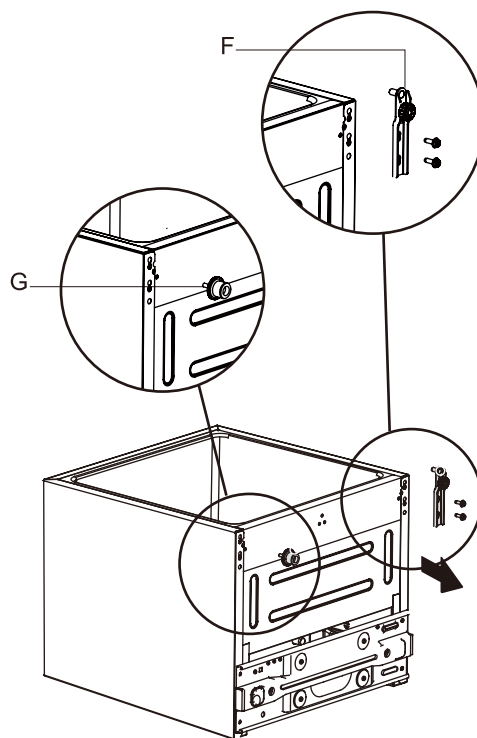
- Apague el frigorífico y retire todos los objetos de las bandejas de la puerta.

Desmonte la bisagra superior, su cubierta y los tornillos, y retire el tapón del agujero y los pasadores del lado contrario. Retire la puerta.



## 2

- Desmonte el conjunto de bisagra inferior y el pie nivelador.

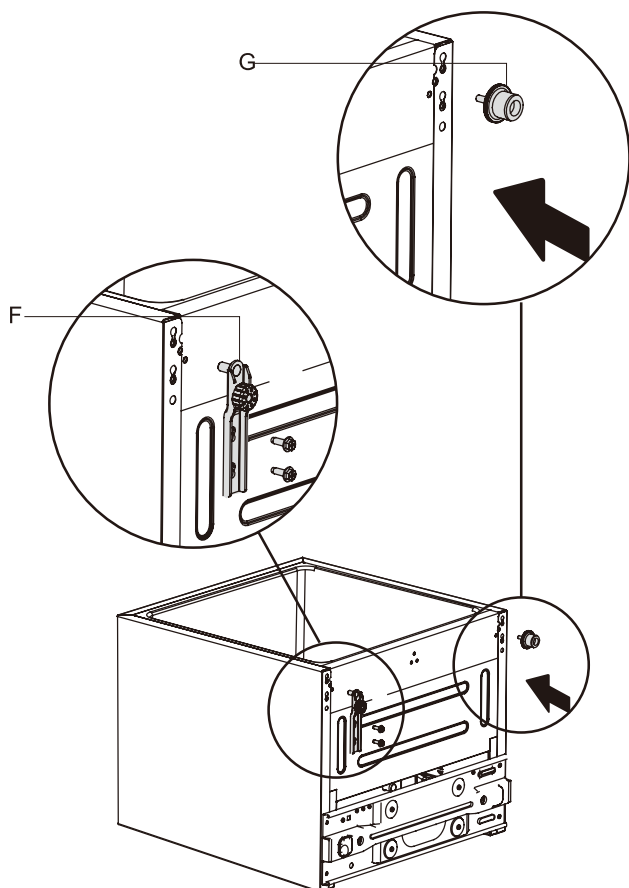


Número	Nombre
A	Quicio superior
B	Cubierta del quicio
D	Tapa del agujero
E	Pasador
F	Conjunto del quicio más bajo
G	Pie de nivelación

## Uso adecuado del frigorífico

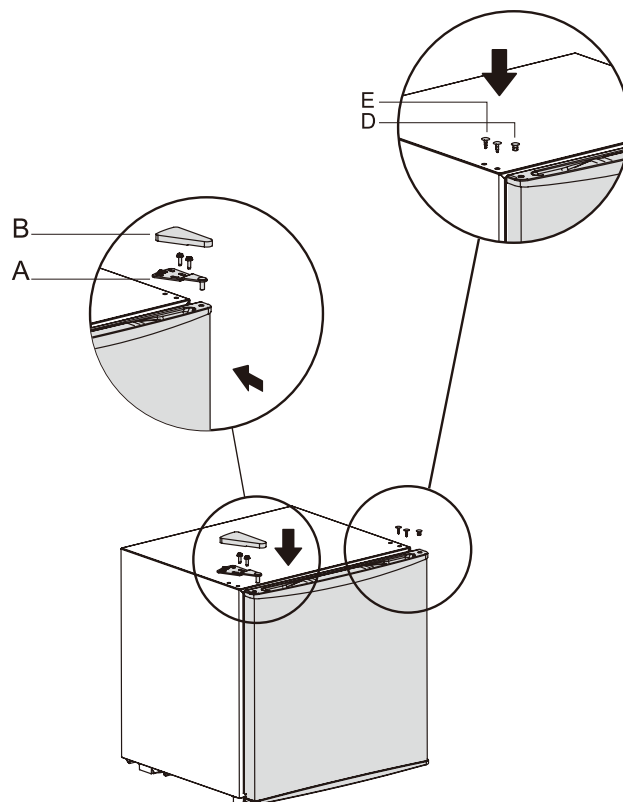
### 3

- Instale el conjunto de la bisagra inferior y el pie nivelador en el lado opuesto.



### 4

- Coloque la puerta de forma vertical sobre la bisagra inferior, luego instale la bisagra superior con los tornillos que retiró del lado izquierdo y después instale la cubierta de la bisagra, por último inserte las tapas en los huecos y los pernos en el lado derecho.



Número	Nombre
A	Quicio superior
B	Cubierta del quicio
D	Tapa del agujero
E	Pasador
F	Conjunto del quicio más bajo
G	Pie de nivelación

# Mantenimiento del frigorífico

## Limpieza

- El polvo detrás del frigorífico y del suelo debe limpiarse rápidamente para mejorar el efecto de refrigeración y el ahorro energético.
- Compruebe regularmente la cesta de la puerta para asegurarse de que no hay residuos. Limpie la cesta de la puerta con un paño suave humedecido con agua jabonosa o detergente diluido.
- El interior del frigorífico debe limpiarse regularmente para evitar los malos olores.
- Antes de limpiar el interior, desconecte la corriente y retire todos los alimentos, bebidas, estantes, cajones, etc.
- Limpie el interior del frigorífico con un trapo suave o una esponja, dos cucharadas de bicarbonato de sodio y un litro de agua tibia. Posteriormente aclárelo con agua y séquelo. Una vez limpio, abra la puerta y deje que se seque de forma natural antes de ponerlo en funcionamiento.
- En las áreas difíciles de limpiar del frigorífico (como huecos, esquinas o espacios estrechos), recomendamos limpiarlas regularmente con un trapo suave, cepillo suave, etc., cuando resulte necesario, puede usar algunas herramientas adicionales (como palillos finos) para asegurarse de que no se acumulan contaminantes o bacterias en estas áreas.
- No utilice jabón, detergente, polvo de limpieza, limpiadores en aerosol, etc., ya que éstos pueden causar olores en el interior del frigorífico o contaminar los alimentos.
- Limpie el botellero, estanterías y cajones con un paño suave humedecido con agua jabonosa o detergente diluido. Séquelo con un paño suave o deje que se seque de forma natural.
- Limpie la superficie externa del frigorífico con un trapo suave humedecido con agua jabonosa, y después séquela.
- No utilice cepillos de cerdas duras, bolas de acero limpias, cepillos de alambre, abrasivos (como dentífricos), solventes orgánicos (como alcohol, acetona, aceite de plátano, etc.), agua hirviendo, elementos ácidos o alcalinos, pueden dañar la superficie y la parte interior. El agua hirviendo y los disolventes orgánicos como el benceno pueden deformar o dañar las piezas de plástico.
- No lo aclare directamente con agua u otros líquidos durante la limpieza para evitar cortocircuitos o que afecte al aislamiento eléctrico tras la inmersión.



**Desenchufe el frigorífico para la descongelación y la limpieza.**

## Dejar de usarlo

- **Fallo de alimentación:** Los alimentos pueden conservarse durante un par de horas incluso en verano en caso de fallo de alimentación; se recomienda reducir la frecuencia de la apertura de la puerta y no poner alimentos frescos en el frigorífico.
- **Mucho tiempo sin usar:** Desenchufe el congelador si no va a usarlo durante un periodo prolongado de tiempo. Mantenga la puerta abierta para evitar el mal olor.
- **Traslado:** No dé la vuelta o haga vibrar el frigorífico; el ángulo de transporte no puede ser superior a 45°.
- **NO** sostenga la puerta ni las bisagras cuando desplace esta unidad.



**Se recomienda un funcionamiento continuo cuando se ponga en funcionamiento el frigorífico. No detenga el frigorífico bajo circunstancias normales para no afectar la vida útil del frigorífico.**

## Solución de problemas

Puede tratar de resolver usted mismo los siguientes problemas sencillos. Si no logra hacerlo, póngase en contacto con el departamento de postventa.

<b>Fallo en el funcionamiento</b>	Compruebe si el aparato está conectado a la alimentación I si el enchufe tiene bien los contactos. Compruebe si la tensión es demasiado baja Compruebe si hay un fallo de corriente o han saltado los circuitos parciales
<b>Mal olor</b>	Los alimentos que desprenden olores fuertes deben estar bien envueltos. Verifique si hay alimentos en descomposición. Limpie el interior del frigorífico.
<b>Funcionamiento prolongado del compresor</b>	El funcionamiento durante mucho tiempo del frigorífico es normal en verano Cuando la temperatura ambiente es alta No es conveniente colocar demasiados alimentos en el aparato al mismo tiempo Debe enfriar los alimentos antes de colocarlos en el interior del aparato Las puertas se abren con demasiada frecuencia
<b>La luz no se enciende</b>	Compruebe si el frigorífico está conectado a la alimentación y si la luz que se debe iluminar presenta daños Haga que un especialista sustituya la luz
<b>Ruidos altos</b>	La puerta está atorada por paquetes de alimentos Se han colocado demasiados alimentos El refrigerador está inclinado.
<b>La puerta no se puede cerrar adecuadamente</b>	La puerta está atorada por paquetes de alimentos Se han colocado demasiados alimentos El refrigerador está inclinado.
<b>Ruidos altos</b>	Compruebe si el suelo está nivelado y si el frigorífico está colocado de forma estable Compruebe si los accesorios están colocados en los lugares adecuados
<b>El sello de la puerta no está estanco</b>	Retire materiales extraños del sello de la puerta Caliente el sello de la puerta y después refrigérelo para restaurarlo (o sóplelo con un secador eléctrico o use una toalla caliente para calentarlo)
<b>La bandeja de agua se desborda</b>	Hay demasiados alimentos en la cámara o los alimentos almacenados contienen demasiada agua, lo que provoca una grave descongelación Las puertas no están cerradas debidamente lo que genera hielo debido a la entrada de aire y al aumento de agua debido a la descongelación

## Solución de problemas

<b>Carcasa caliente</b>	Disipación del calor del condensador integrado mediante la carcasa, que es normal cuando la carcasa se calienta debido a una temperatura ambiente elevada, o el almacenamiento de demasiado alimentos o si se cierra del compresor y proporciona una buena ventilación para facilitar la disipación del calor
<b>Condensación de la superficie</b>	La condensación sobre la superficie exterior y los sellos de la puerta del frigorífico es normal cuando la humedad ambiente es demasiado alta. Simplemente limpie la condensación con una toallita limpia.
<b>Ruido anormal</b>	Zumbido: El compresor puede producir zumbidos durante el funcionamiento y son especialmente altos durante el inicio y la parada. Esto es normal. Crujido: El refrigerante que fluye por el interior del aparato puede producir crujidos, lo que es normal.

# GARANTÍA

## GARANTÍA LIMITADA DEL REFRIGERADOR

Su producto está protegido por esta Garantía Limitada:

El servicio de garantía se debe obtener de los Servicios al Consumidor de SEASONS o de su proveedor de servicios autorizado

Garantía

• Garantía Limitada de un año desde la fecha de compra original.

SEASONS, a través de sus proveedores de servicios autorizados:

• Pagará todos los costos de reparación o reemplazo de piezas de este artefacto que demuestren ser defectuosos en materiales o mano de obra.

El consumidor será responsable de:

• Los costos de diagnóstico, extracción, transporte y reinstalación necesarios debido al servicio.

• Los costos de las llamadas de servicio que sean el resultado de los ítems enumerados en

RESPONSABILIDADES NORMALES DEL CONSUMIDOR \*\*

Se utilizarán piezas de repuesto SEASONS y estarán garantizadas solo por el período restante de la garantía original.

## RESPONSABILIDADES NORMALES DEL CONSUMIDOR \*\*

Esta garantía se aplica solo a los productos de uso doméstico ordinario, y el consumidor es responsable de los ítems enumerados a continuación:

1. Uso adecuado del aparato de acuerdo con las instrucciones provistas con el producto.
2. Mantenimiento y limpieza de rutina necesarios para mantener las buenas condiciones de trabajo.
3. Instalación adecuada por un profesional de servicio autorizado de acuerdo con las instrucciones proporcionadas con el aparato y en función de todos los códigos locales de tubería, electricidad y/o gas.
4. Conexión adecuada a una fuente de alimentación a tierra de suficiente voltaje, reemplazo de fusibles quemados, reparación de conexiones sueltas o defectos en el cableado de la casa.
5. Gastos por hacer accesible el aparato para su mantenimiento.
6. Daños por terminar después de la instalación.

## RESPONSABILIDADES NORMALES DEL CONSUMIDOR \*\*

Esta garantía no cubre lo siguiente:

1. Fallo causado por daños a la unidad mientras está en su posesión (que no sean daños causados por defectos o mal funcionamiento), por su instalación inadecuada o por el uso irrazonable del producto, incluyendo, entre otros, la falta de mantenimiento razonable y necesario o de seguir las Instrucciones de Instalación y Operación escritas.
2. Los productos comprados "tal como está" o restaurados no están cubiertos por esta garantía.
3. Pérdida de alimentos causada por fallo del refrigerador o congelador.
4. Llamadas de servicio para reparar o reemplazar consumibles como filtros de agua, bombillas, filtros de aire, etc., o manijas, perillas y otras piezas decorativas.
5. Producto que ha sido transferido de su propietario original.
6. Óxido interior o exterior en la unidad.
7. Daños causados por servicios prestados por personas que no sean administradores autorizados de SEASONS, uso de piezas que no sean repuestos de SEASONS obtenidas de personas que no sean del inadecuado o fuerza mayor. servicio al cliente de SEASONS; o causas externas tales como abuso, mal uso, suministro inadecuado o fuerza mayor.
8. Llamadas de servicio resultantes de la instalación incorrecta de su producto.
9. Llamadas de servicio para darle instrucciones sobre el uso de producto.

# GARANTÍA

---

10. Recargos que incluyen, entre otros, llamadas de servicio después de la hora laboral, fines de semana o feriados, peajes, cargos de viaje en ferry o gastos de millaje por llamadas de servicio a áreas remotas, incluido el estado de Alaska.
11. Si la unidad se usa para fines comerciales, de negocio y alquiler u otro propósito que no sea para uso del consumidor, no ofrecemos garantías, expresas o implícitas, incluidas, entre otras, garantías implícitas de comerciabilidad o idoneidad para un uso o propósito particular.
12. Producto que se ha eliminado fuera de EE. UU. o Canadá.
13. Productos sin números de serie originales o productos, cuyos números de serie han sido alterados o no se pueden identificar fácilmente.

**AVISO:** Algunos estados no permiten la exclusión o limitación de daños incidentales o consecuentes. Por lo tanto, dicha limitación o exclusión puede no aplicarse a usted.

## SI USTED NECESITA SERVICIO

Guarde su factura de venta, recibo de entrega o algún otro registro de pago apropiado. En caso de que se requiera servicio, la fecha en la factura establece la fecha de inicio del período de garantía.

Si se realiza el servicio, le conviene obtener y conservar todos los recibos.

Esta garantía escrita le otorga derechos legales específicos. También puede tener otros derechos que varían de estado a estado.

# VISSANI

¿Preguntas, problemas, piezas faltantes? Antes de devolver a la tienda,  
póngase en contacto con el servicio de atención al cliente de VISSANI  
Lunes a viernes de 8:00 a. m. a 8:00 p. m. (EST) , sábados de 8:00 a. m. a 6:00 p. m. (EST)

**1-855-847-7264**

**HOMEDEPOT.COM**

Conserve este manual para su uso futuro.