



INSTALLATION INSTRUCTIONS for REGALINE SINKS



**94 Series With
2 Drainboards**



**94 Series With
No Drainboards**



**93 Series With
Left Drainboard**

**CHECK FOR CONCEALED DAMAGE
FILE CLAIM WITH DELIVERING FREIGHT CARRIER**

Sinks manufactured by **ADVANCE TABCO**® are designed and constructed for the use of liquid containment. Suggested applications include Food Preparation, Manufacturing, Cooking, Laboratory and Service and the like. **ADVANCE TABCO**® does not recommend product use for activities employing harsh and active chemicals. Please consult factory regarding unusual applications.

THIS CARTON CONTAINS:

- Sink Unit
- Drains (1 For Each Sink Bowl)
- **94 Series:** Four 1-5/8" Dia. Tubing For Legs
Two 1-1/4" Dia. Tubing For Side Braces
One 1-1/4" Dia. Front Tubing For Front Cross Brace
2 Single Hole (Rear) & 2 Double Hole Clamps (Front)
- **93/9 Series:** Four 1-5/8" Dia. Tubing For Legs
Two 1-1/4" Dia. Tubing For Side Braces
4 Single Hole Clamps



Single Clamp



Double Clamp

Tools Required: Allen Key Wrench

STEP 1

Remove contents of carton/crate and position sink upside down on a protective floor covering.

STEP 2 FOR 94 Series

(For 93 and 9 Series, See Step 2A)

Slide one "Double" Hole Clamp on each end of the long 1-1/4" tubing brace and tighten with Allen Wrench, just enough to hold in place. Do not over-tighten at this time (**Figure 1**).

Then, Insert the two smaller 1-1/4" brace tubing into the "Double" Hole Clamps and lightly tighten as well (**Figure 1**).

Next, Insert the two "Single" Hole Clamps on each end of the smaller tubing and lightly tighten (**Figure 2**).

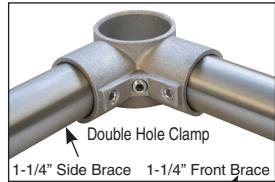


Figure 1

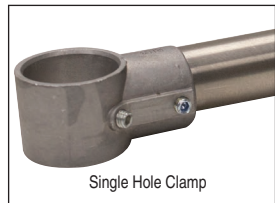


Figure 2



Note: Tubing lengths will vary based on sink size.

STEP 2A FOR 93 & 9 Series

Slide “Single” Hole Clamps on each end of the 1-1/4” tubing braces & tighten with Allen Wrench, just enough to hold in place. Do not over-tighten at this time (**Figure 3**).



Figure 3

STEP 3

Slide each leg through each leg clamp (**Figure 4 & 4A**).

Lightly tighten set screws just enough to hold braces in place.

Note: Make sure set screws in each clamp are either flush or set back so they do not interfere while sliding the clamps on the legs.

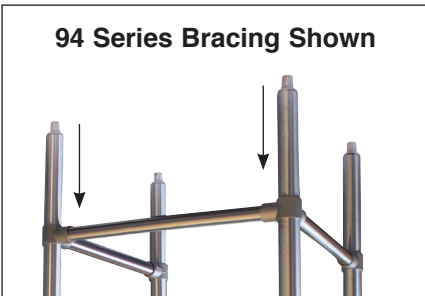


Figure 4

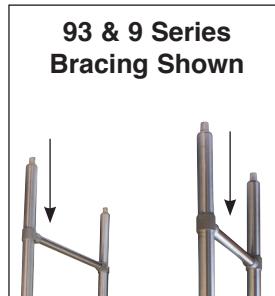


Figure 4A

STEP 4

Insert all 4 legs into each gusset on bottom of sink (**Figure 5**).

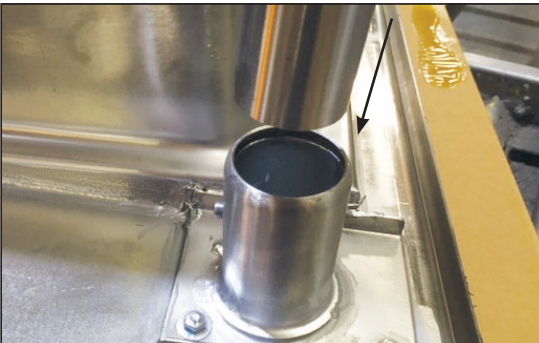


Figure 5

STEP 5

Secure legs with supplied set screws & tighten (**Figure 6**).

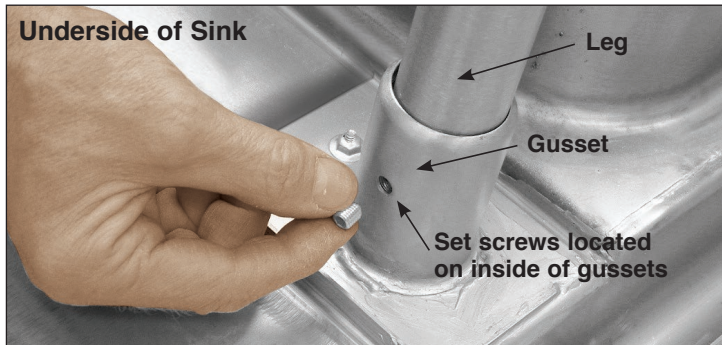


Figure 6

STEP 6

Lower all bullet feet into the legs so they are all the same length. Measure the distance from the bottom of each bullet foot to the clamp, ensuring all clamps are same length. Adjust each clamp as necessary (**Figure 6**).

Tighten all set screws on all clamps.



Figure 6

STEP 7

With help, stand up sink on its legs. Check for stability and adjust or tighten if needed.

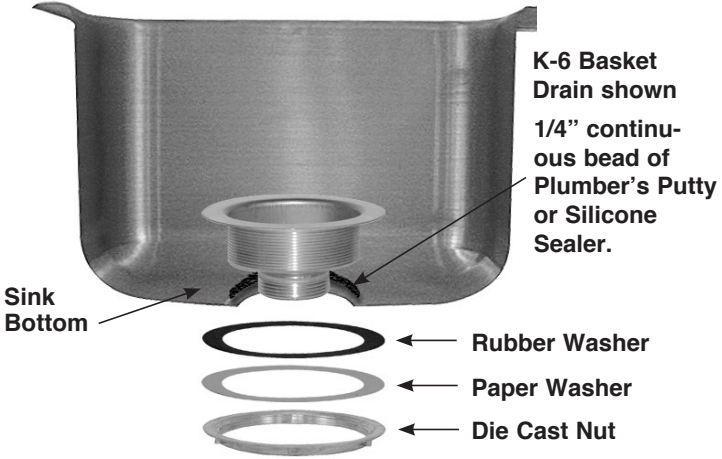
STEP 8

IMPORTANT NOTE: For NSF Compliance, it is required that ALL Set screws are filled with an approved silicone sealer.

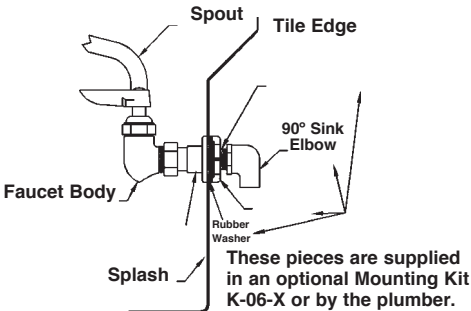
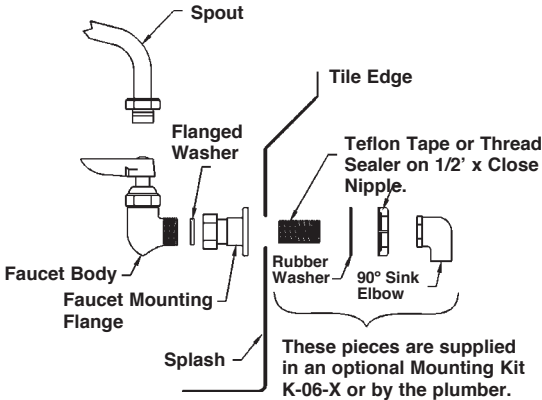
Continue To Drain Installation >>

STEP 9

Install drains and faucet. Your knowledgeable plumbing contractor is responsible for local code requirements.



OPTION: May be furnished with remote operated lever drains or specialty faucets.



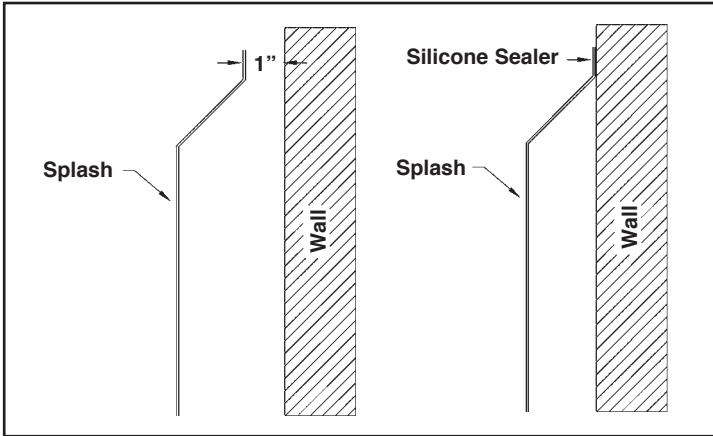
Continue Installation >>

STEP 10

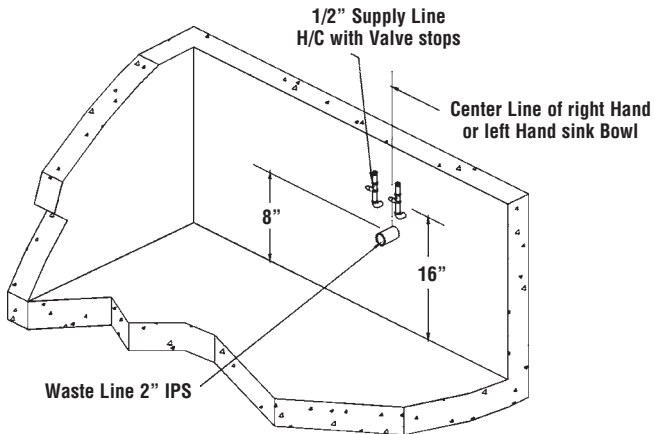
Set Unit in place and level by means of adjustable bullet feet.

STEP 11

NSF Installations require Sink Unit to be sealed to wall or installed at least 1-1/4" off the wall.



Suggested Rough Plumbing Dimensions



HAUPPAUGE, NY 11788

© ADVANCE TABCO, NOVEMBER 2021