

The Haier logo is displayed in white text on a dark grey rectangular background in the top right corner of the page.

Haier

Bar Refrigerator

HRF40UW2, HRF90UW2, HRF90UG2, HRF115UW2,
HRF115UG2, HRF130UW2, HRF130UG2, HRF220VW

CONTENTS

Safety and warnings	4
Overview	7
Reverse door	12
Installation	14
Using your refrigerator	16
Troubleshooting	18
Manufacturer's warranty	19
Customer service	21

SAFETY AND WARNINGS

⚠WARNING!



This appliance contains flammable refrigerant isobutane (R600a).

READ AND SAVE THIS GUIDE

In the interest of your safety and to ensure the correct use, before installing and first using the appliance, read this user manual carefully, including its hints and warnings. To avoid unnecessary mistakes and accidents, it is important to ensure that all people using the appliance are thoroughly familiar with its operation and safety features. Save these instructions and make sure that they remain with the appliance if it is moved or sold, so that everyone using it through its life will be properly informed on appliance use and safety. For the safety of life and property keep the precautions of these user's instructions as the manufacturer is not responsible for damages caused by omission.

Children and vulnerable people safety

- This appliance can be used by children aged from 8 years and above and persons with reduced physical, sensory or mental capabilities or lack of experience and knowledge if they have been given supervision or instruction concerning use of the appliance in a safe way and understand the hazards involved. Children should be supervised to ensure that they do not play with the appliance.
- Cleaning and user maintenance shall not be made by children unless they are aged from 8 years and above and supervised.
Keep all packaging well away from children. There is risk of suffocation.
- If you are discarding the appliance pull the plug out of the socket, cut the connection cable (as close to the appliance as you can) and remove the door to prevent playing children to suffer electric shock or to close themselves into it.

General safety

- **⚠WARNING!** Keep ventilation openings, in the appliance enclosure or in the built-in structure, clear of obstruction.
- **⚠WARNING!** Do not use mechanical devices or other means to accelerate the defrosting process, other than those recommended by the manufacturer.
- **⚠WARNING!** Do not damage the refrigerant circuit.
- **⚠WARNING!** When positioning the appliance, ensure the supply cord is not trapped or damaged.
- **⚠WARNING!** Do not use other electrical appliances (such as ice cream makers) inside of refrigerating appliances, unless they are approved for this purpose by the manufacture.
- **⚠WARNING!** Do not touch the light bulb if it has been on for a long period of time because it could be very hot.*
- Do not store explosive substances such as aerosol cans with a flammable propellant in this appliance.
- The refrigerant isobutane (R600a) is contained within the refrigerant circuit of the appliance, a natural gas with a high level of environmental compatibility, which is nevertheless flammable.
- During transportation and installation of the appliance, be certain that none of the components of the refrigerant circuit become damaged.
 - avoid open flames and sources of ignition
 - thoroughly ventilate the room in which the appliance is situated
- It is dangerous to alter the specifications or modify this product in any way. Any damage to the cord may cause a short circuit, fire and/or electric shock.

*if there is a light in the compartment

SAFETY AND WARNINGS

- This appliance is intended to be used in household and similar applications such as
 - staff kitchen areas in shops, offices and other working environments;
 - farm houses and by clients in hotels, motels and other residential type environments;
 - bed and breakfast type environments;
 - catering and similar non-retail applications.
- **⚠️ WARNING!** Any electrical components (plug, power cord, compressor and etc.) must be replaced by a certified service agent or qualified service personnel.
- **⚠️ WARNING!** The light bulb supplied with this appliance is a “special use lamp bulb” usable only with the appliance supplied. This “special use lamp” is not usable for domestic lighting.*
- It is hazardous for anyone other than an Authorized Service Person to service this appliance. In Queensland – the authorized Service Person MUST hold a Gas Work Authorization for hydrocarbon refrigerants, to carry out Servicing or repairs which involve the removal of covers.
- Power cord must not be lengthened.
- **⚠️ WARNING!** Make sure that the power plug is not squashed or damaged by the back of the appliance. A squashed or damaged power plug may overheat and cause a fire.
- Make sure that you can come to the mains plug of the appliance.
- Do not pull the mains cable.
- If the power plug socket is loose, do not insert the power plug. There is a risk of electric shock or fire.
- You must not operate the appliance without the lamp.
- This appliance is heavy. Care should be taken when moving it.
- Do not remove nor touch items from the Cool Zone if your hands are damp/wet, as this could cause skin abrasions or frost/freezer burns.
- **⚠️ WARNING!** Do not locate multiple portable socket-outlets or portable power supplies at the rear of the appliance
- Avoid prolonged exposure of the appliance to direct sunlight.

Daily use

- Do not put hot on the plastic parts in the appliance.
- Do not place food products directly against the rear wall.
- Frozen food must not be re-frozen once it has been thawed out.**
- Store pre-packed frozen food in accordance with the frozen food manufacture's instructions.**
- Appliance's manufactures storage recommendations should be strictly adhered to. Refer to relevant instructions.
- Do not place carbonated or fizzy drinks in the Cool Zone as it creates pressure on the container, which may cause it to explode, resulting in damage to the appliance.**
- Ice lollies can cause frost burns if consumed straight from the appliance.**
- The supply cord is damaged it must be replaced by the manufacturer, service agent or similarly qualified persons in order to avoid a hazard.
- Do not replace the LED lamp yourself, it must only be replaced by either the manufacturer or the authorised service agent.

Care and cleaning

- Before maintenance, switch off the appliance and disconnect the mains plug from the mains socket.
- Do not clean the appliance with metal objects.
- Do not use sharp objects to remove frost from the appliance. Use a plastic scraper.**
- Regularly examine the drain in the refrigerator for defrosted water. If necessary, clean the drain. If the drain is blocked, water will collect in the bottom of the appliance.***

Installation

*if there is a light in the compartment **If there is a freezer compartment. ***If there is a fresh-food storage compartment.

SAFETY AND WARNINGS

Important! For electrical connection carefully follow the instructions given in specific paragraphs.

- Unpack the appliance and check if there are damages on it. Do not connect the appliance if it is damaged. Report possible damages immediately to the place you bought it. In that case retain packing.
- It is advisable to wait at least four hours before connecting the appliance to allow the oil to flow back in the compressor.
- Adequate air circulation should be around the appliance, lacking this leads to overheating. To achieve sufficient ventilation follow the instructions relevant to installation.
- Wherever possible the spacers of the product should be against a wall to avoid touching or catching warm parts (compressor, condenser) to prevent possible burn.
- The appliance must not be located close to radiators or cookers.
- Make sure that the mains plug is accessible after the installation of the appliance.




Service

- Any electrical work required to do the servicing of the appliance should be carried out by a qualified electrician or competent person.
- This product must be serviced by an authorized Service Center, and only genuine spare parts must be used.

Energy saving

- Don't put hot food in the appliance;
- Don't pack food close together as this prevents air circulating;
- Make sure food don't touch the back of the compartment(s);
- If electricity goes off, don't open the door(s);
- Don't open the door(s) frequently;
- Don't keep the door(s) open for too long time;
- Don't set the thermostat on exceeding cold temperatures;
- Some accessories, such as drawers, can be removed to get larger storage volume and lower energy consumption.

Environment Protection

-  This appliance does not contain gasses which could damage the ozone layer, in either its refrigerant circuit or insulation materials. The appliance shall not be discarded together with the urban refuse and rubbish. The insulation foam contains flammable gases: the appliance shall be disposed according to the appliance regulations to obtain from your local authorities. Avoid damaging the cooling unit, especially the heat exchanger. The materials used on this appliance marked by the  symbol are recyclable.
-  The symbol on the product or on its packaging indicates that this product may not be treated as household waste. Instead it should be taken to the appropriate collection point for the recycling of electrical and electronic equipment. By ensuring this product is disposed of correctly, you will help prevent potential negative consequences for the environment and human health, which could otherwise be caused by inappropriate waste handling of this product. For more detailed information about recycling of this product, please contact your local council, your household waste disposal service or the shop where you purchased the product.

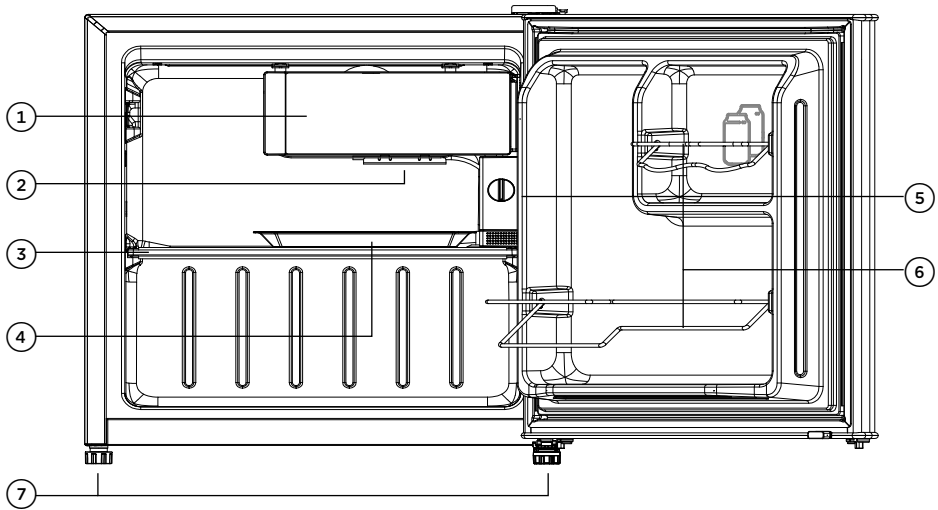
Packaging materials

- The materials with the symbol are recyclable. Dispose the packaging in a suitable collection containers to recycle it.

Disposal of the appliance

- Disconnect the mains plug from the mains socket.
- Cut off the mains cable and discard it.

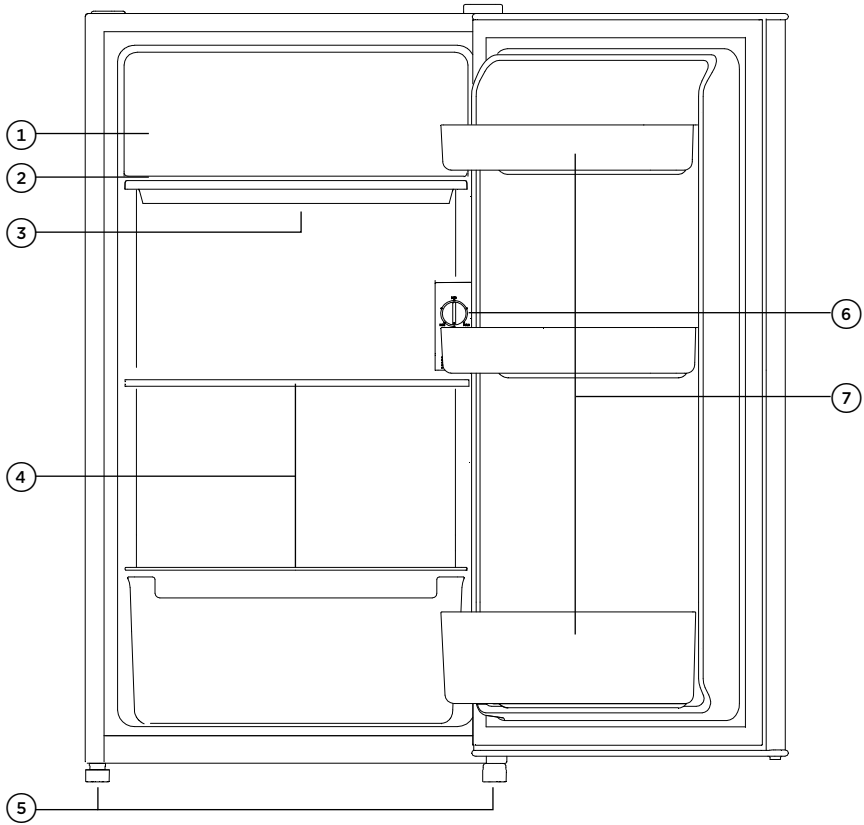
OVERVIEW



FEATURES AND ACCESSORIES (HRF40UW2)

1	Cool Zone	5	Thermostat
2	Cooling Plate	6	Door Rack
3	Shelf	7	Levelling Feet
4	Defrost Tray		

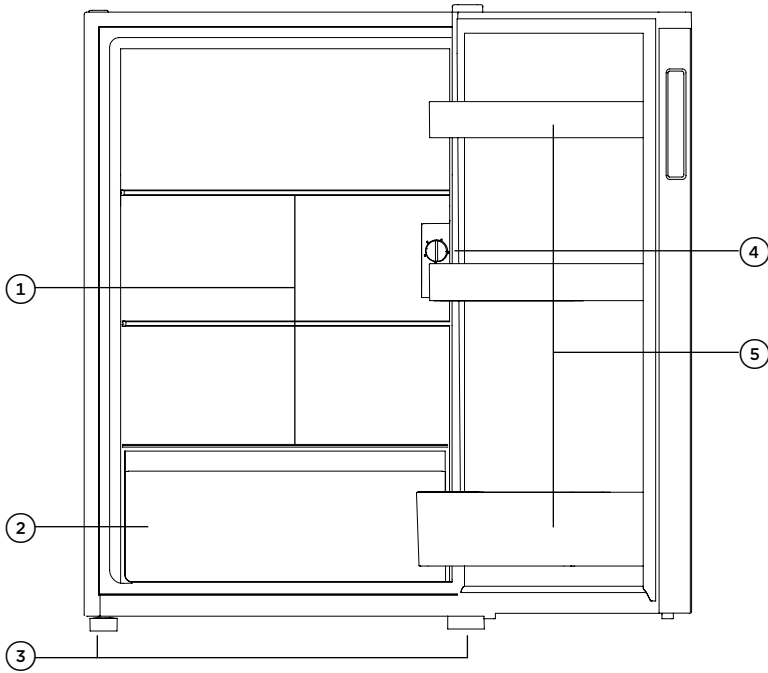
OVERVIEW



FEATURES AND ACCESSORIES (HRF90UW2/HRF90UG2)

1	Cool Zone	5	Levelling Feet
2	Cooling Plate	6	Thermostat
3	Tray	7	Door Shelves
4	Shelves		

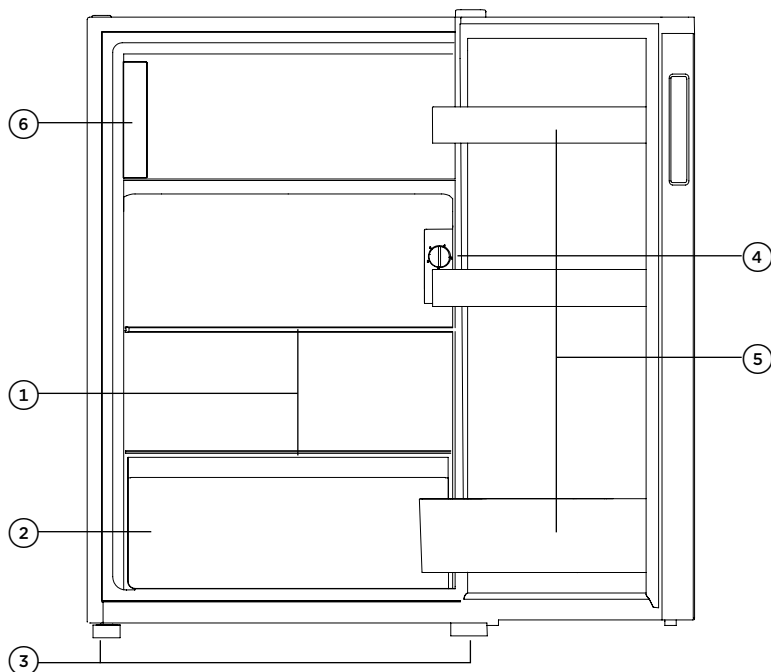
OVERVIEW



FEATURES AND ACCESSORIES (HRF130UW2/HRF130UG2)

1	Shelves	4	Thermostat
2	Drawer	5	Door shelves
3	Levelling Feet		

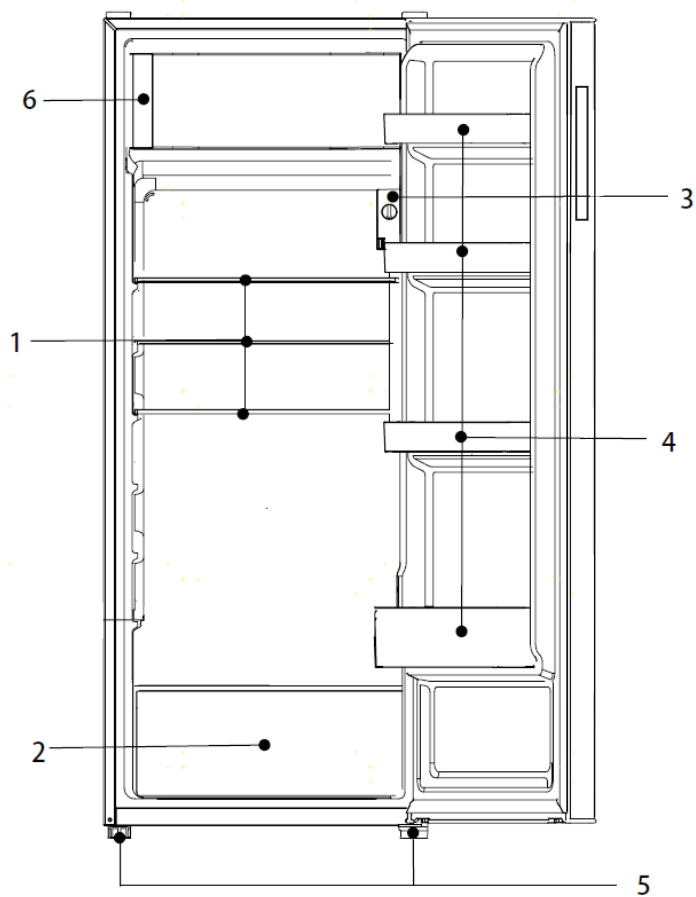
OVERVIEW



FEATURES AND ACCESSORIES (HRF115UW2/HRF115UG2)

1	Shelves	4	Thermostat
2	Drawer	5	Door Shelves
3	Levelling Feet	6	Freezer

OVERVIEW



FEATURES AND ACCESSORIES (HRF220VW)

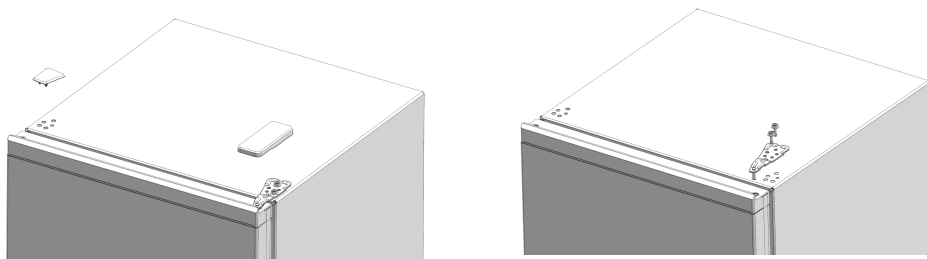
1	Shelves	4	Door Shelves
2	Drawer	5	Levelling Feet
3	Thermostat	6	Freezer

REVERSE DOOR

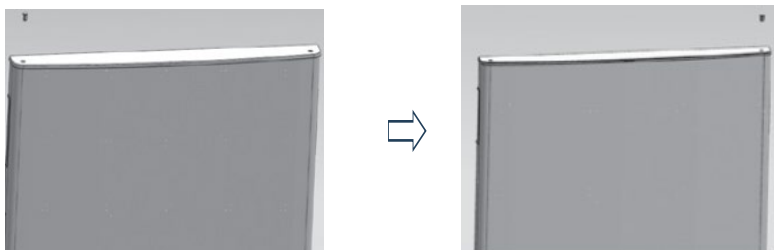
Tools required: Philips screwdriver, Flat head screwdriver, Hexagonal spanner.

Unplug and empty the unit, including the drain tray above the compressor (if applicable). Two people are recommended for changing the doors. Tilt the unit backwards onto a stable surface at an angle. Avoid laying flat to protect the refrigeration system. Keep all parts that are disassembled as they will be needed for reassembly.

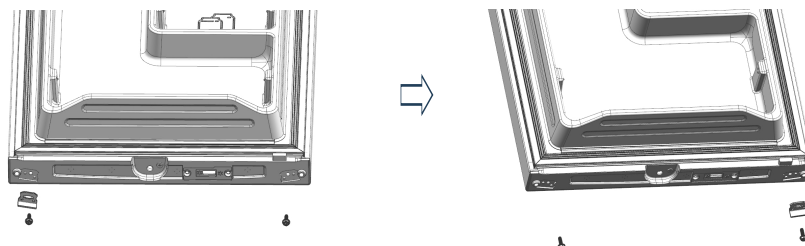
1. Remove the top left screw cover. Remove the upper hinge cover. Remove the screws that fix the upper hinge. Remove the upper hinge.



2. Lift the door and place it on a padded surface to prevent it from scratching.
3. Move the core cover from left side to right side.

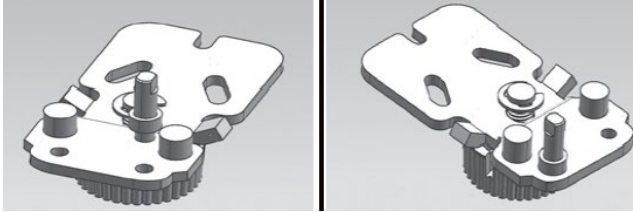


4. Loosen the screws and stop block, then install them to the opposite side and tighten securely.

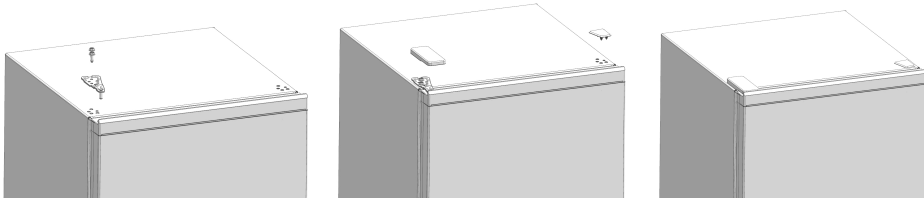


REVERSE DOOR

5. Remove the screws, bottom hinge with adjustable feet from the bottom of the appliance.
6. Reattach the bottom hinge to the opposite side. HRF115*/HRF130*/HRF220* need to remove the short pin from the bottom hinge. Refit the short pin to the other hole of the bottom hinge.



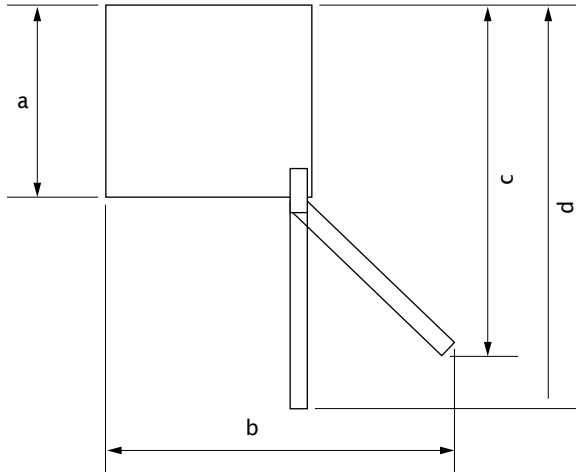
7. Fit the door back into place.
8. Reattach the upper hinge on the opposite side with screws and then re-fit the upper hinge cover to the upper hinge. Attach the top cover to the opposite side.



INSTALLATION

Installation Requirements

- Ensure installation location has a flat level floor and enough space for the door to open easily.
- Allow clearance to the right, left, back and top when installing. This will help reduce power consumption



	HRF40*/HRF90*	HRF130*/HRF115*/HRF220*
a	425mm	500mm
b	590mm	870mm
c	886mm	996mm
d	892mm	1064mm

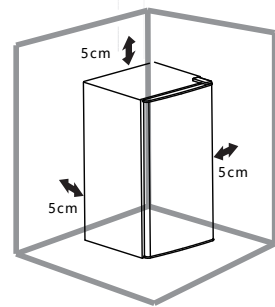
Install appliance in a location without direct exposure to sunlight where the ambient temperature matches the climate class on the rating plate:

CLIMATE CLASS	AMBIENT TEMPERATURE
SN	+10°C to +32°C
N	+16°C to +32°C
ST	+16°C to +38°C
T	+16°C to +43°C

INSTALLATION

Ventilation cross-section

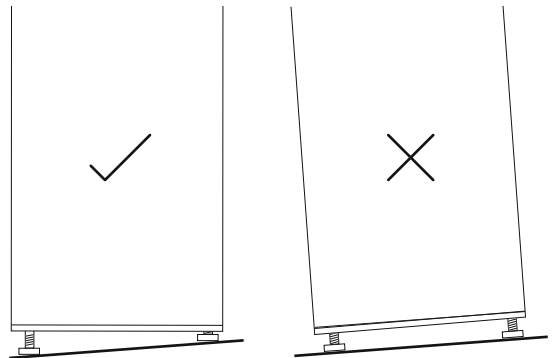
To achieve sufficient ventilation of the appliance for safety reasons, the information of the required ventilation cross sections must be observed.



Levelling the unit

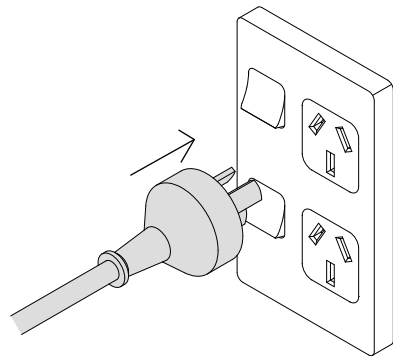
If the unit is not level, the doors and door gaskets may not seal properly.

Adjust the two levelling feet at the front of the unit so that it is level.



Electrical Connection

Before plugging in, verify that the voltage and frequency on the rating plate match your power supply. The appliance must be earthed, and the power plug has a contact for this purpose. If your socket is not earthed, consult a qualified electrician to connect the appliance to a separate earth in accordance with current regulations. The manufacturer is not responsible if these safety measures are not observed. This appliance complies with E.E.C. Directives.



Plug product in.

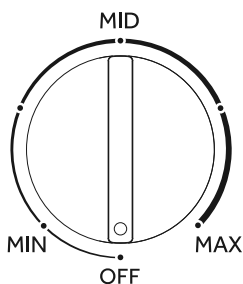
USING YOUR REFRIGERATOR

First use

Before using the appliance for the first time, wash the interior and all internal accessories with lukewarm water and some neutral soap so as to remove the typical smell of a brand new product, then dry thoroughly.

Important! Do not use detergents or abrasive powders, as these will damage the finish.

To obtain the best performance do not store warm food or evaporating liquids in the refrigerator. Cover or wrap food and position it so air can circulate freely around it.



The temperature is controlled by a thermostat.

MAX is the lowest temperature setting and can be used for quick freezing. We recommend using **MAX** for short periods before turning back to **MID** or **MIN** for regular operation. The level of cooling can be varied between **MIN** and **MAX** depending on the temperature required.

When the dial is set to **OFF** the refrigerator will not cool.

The appliance may not operate at the correct temperature if it is installed in a warm location or if the door is opened often.

Cool Zone (HRF40*/HRF90*)

Food can be stored in this compartment for faster and extra cooling. The temperature in the area directly below the Cool Zone will also be quite low, so be sure not to keep delicate food items there that may be prone to freezing damage.

Defrosting (HRF40*/HRF90*)

The cooling plate will become progressively covered with frost. This is normal, but if it gets too thick, it will reduce the refrigeration efficiency and increase energy usage.

When the frost becomes very thick (>5mm), defrosting should be carried out. Never use sharp tools to scrape off frost from the cooling plate as you could damage it.

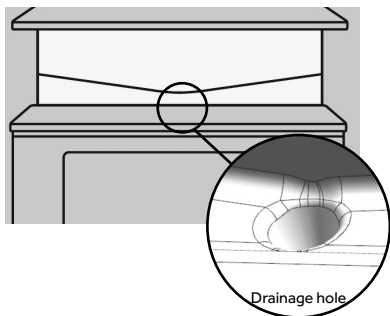
Instructions for defrost as follows:

- Remove all stored food and store in a cool place.
- Unplug appliance.
- Keep the door open, and place a container or cloth underneath the appliance to collect any excess defrosted water.
- When defrosting is complete, dry the interior thoroughly.
- Plug appliance back in.
- Re-store food once the compartment has is cold.

USING YOUR REFRIGERATOR

Defrosting the refrigerator compartment (HRF130*/HRF115*/HRF220*)

During normal operation, there should not be too much frost build up. In case there is excessive frost build up (>5mm), please follow these instructions to defrost:



- Remove stored food and store in a cool place
- Unplug appliance
- During defrosting, the water should drain out the back.
Note: Please ensure the drainage hole is clear so defrost water can flow out.
- Keep the door open, and place a cloth underneath the appliance in case any excess water comes out the front.
- When defrosting is complete, dry the interior thoroughly.
- Plug appliance back in.
- Re-store food once the compartment is cold.

Defrosting the freezer compartment (HRF115*/HRF220*)

The freezer needs to be defrosted manually. A layer of frost will form on the surface of the freezer which will decrease the efficiency of cooling.

If the frost layer becomes too thick (>5mm) or becomes ice, it should be defrosted following these instructions:

- Remove all stored food and store in a cool place.
- Unplug appliance.
- Keep the door open, and place a container or cloth underneath the appliance to collect any excess defrosted water.
- When defrosting is complete, dry the interior thoroughly.
- Plug appliance back in.
- Re-store food once the compartment has is cold.

TROUBLESHOOTING

Caution! Before troubleshooting, disconnect the power supply. Some sounds are normal during use e.g. compressor running, refrigerant circulation.

PROBLEM	POSSIBLE CAUSES	WHAT TO DO
Appliance does not work	Temperature regulation dial is set to OFF .	Set the dial to another setting to switch on the appliance.
	Mains plug is not plugged in or is loose	Fully insert mains plug.
	Fuse has blown or is defective	Check fuse and replace if necessary
	Socket is defective	Mains malfunctions are to be corrected by an electrician.
Food is too warm	The cooling setting is set too low.	Set the cooling setting to a higher level.
	Door was open for an extended period.	Keep the door closed and check again in a few hours. Open the door for only as long as necessary during normal use
	A large quantity of warm food was placed in the appliance within the last 24 hours.	Adjust the thermostat to a higher cooling setting temporarily.
	The appliance is near a heat source.	Please follow the guidelines in the Installation section regarding placement of the appliance.
Food is too cool/ freezing	Temperature is set too cold.	Adjust the cooling setting of the thermostat to a lower setting
Appliance is making unusual noises	Appliance is not level.	Re-adjust the levelling feet.
	The appliance is touching the wall or other objects.	Move the appliance so it is not in contact with anything.

MANUFACTURER'S WARRANTY

Please read this warranty card carefully. Attach your purchase receipt to this warranty card and keep in a safe place. You must produce both warranty card and proof of purchase in the event of a warranty repair being required.

When you purchase any new Haier Product you automatically receive a two year Manufacturer's Warranty covering parts and labour for servicing.

The Manufacturer undertakes to:

Repair or, at its option, replace without cost to the owner either for material or labour any part of the Product, the serial number of which appears on the Product, which is found to be defective within TWO YEARS from the date of purchase.

This warranty DOES NOT cover:

- (A) Service calls which are not related to any defect in the Product. The cost of a service call will be charged if the problem is not found to be a Product related fault. For example:
 - ① Correct the installation of the product.
 - ② Provide Instruction on use of the product or change the setup of the product.
 - ③ Replace house fuses or correct house wiring.
 - ④ Correcting faults) caused by the user.
 - ⑤ Noise or vibration that is considered normal.
 - ⑥ Water on the floor due to incorrect loading or excessive suds.
 - ⑦ Blocked pumps, removal of foreign objects/substances from the machine, including the pump and inlet house filters.
 - ⑧ Correcting damage caused by pests, eg. rats, cockroaches etc.
 - ⑨ Correct corrosion or discolouration due to chemical attack.
 - ⑩ Power outages or surges.
- (B) Defects caused by factors other than:
 - ① Normal domestic use or
 - ② Use in accordance with the Product's User Guide.
- (C) Defects to the Product caused by accident, neglect, misuse or 'Act of God'.
- (D) The cost of repairs carried out by non-authorized repairers or the cost of correcting such unauthorised repairs.
- (E) Normal recommended maintenance as set out in the Product's User Guide.
- (F) Repairs when the appliance has been dismantled, repaired or serviced by other than an AUTHORISED CUSTOMER SERVICE CENTRE or the selling dealer.
- (G) Pick up and delivery.
- (H) Transportation or travelling costs involved in the repair when the product is installed outside the AUTHORISED CUSTOMER SERVICE CENTRE'S normal service area.

This product has been designed for use in a normal domestic environment. It is not intended for commercial use. Doing so may affect product warranty.

Service under this warranty must be provided by an Authorised Service Repairer (refer to the Customer Care section for contact details). Such service shall be provided during normal business hours. This warranty certificate should be shown when making any claim.

MANUFACTURER'S WARRANTY

Note:

This Warranty is an extra benefit and does not affect your legal rights and applies only to product purchased in New Zealand and Australia. Please keep this Warranty Card in a safe place.

For Australian customers:

Our goods come with guarantees that cannot be excluded under the Australian Consumer Law. You are entitled to a replacement or refund for a major failure and for compensation for any other reasonably foreseeable loss or damage. You are also entitled to have the goods repaired or replaced if the goods fail to be of acceptable quality and the failure does not amount to a major failure.

CUSTOMER SERVICE

We recommend our Haier Customer Service and the use of original spare parts.

If you have a problem with your appliance, please first check the Troubleshooting section. If you cannot find a solution there, please contact:

- Your local dealer
- The Service & Support area
at **www.haier.com.au** or
www.haier.co.nz

where you can activate the service claim and also find FAQs.

To contact our Service, ensure that you have the following data available.
The information can be found on the rating plate at the door.

Model _____

Serial No. _____

Complete and keep for safe reference:

Model _____

Serial No. _____

Purchase Date _____

Purchaser _____

Dealer _____

Suburb _____

Town _____

Country _____

Haier

WWW.HAIER.COM.AU

WWW.HAIER.CO.NZ