



Compact Refrigerator

Models: 94449/94446

4.4 cu. ft. Capacity

Read This Manual!

It will tell you how to operate and care for your refrigerator. It also offers tips on how to get the best and lowest cost performance.

If you prefer installing your own parts, use the parts list to find the part number. Do not use the illustration number. In the space below record the model and serial number of your refrigerator. Each is printed on the model number plate located in the upper corner of the refrigerator back. Use these numbers when calling for service.

Model No. _____ Serial No. _____

Kenmore Appliance Warranty

One Year Limited Warranty

When installed, operated and maintained according to all instructions supplied with the product, if this appliance fails due to a defect in material or workmanship within one year from the date of purchase, call 1-800-4-MY-HOME® to arrange for free repair.

If this appliance is used for other than private family purposes, this warranty applies for only 90 days from the date of purchase.

This warranty covers only defects in material and workmanship, Sears will NOT pay for:

1. Expendible items that can wear out from normal use, including but not limited to filters, belts, light bulbs, and bags.
2. A service technician to instruct the user in correct product installation, operation or maintenance.
3. A service technician to clean or maintain this product.
4. Damage to or failure of this product if it is not installed, operated or maintained according to all instructions supplied with the product.
5. Damage to or failure of this product resulting from accident, abuse, misuse, or use for other than its intended purpose.
6. Damage to or failure of this product caused by the use of detergents, cleaners, chemical or utensils other than those recommended in all instructions supplied with the product.
7. Damage to or failure of parts or system resulting from unauthorized modifications made to this product.

Disclaimer of implied warranties; limitation of remedies

Customer's sole and exclusive remedy under this limited warranty shall be product repair as provided herein. Implied warranties, including warranties of merchantability or fitness for a particular purpose, are limited to one year or the shortest period allowed by law. Sears shall not be liable for incidental or consequential damages, or limitation on the duration of implied warranties of merchantability or fitness, so these exclusions or limitations may not apply to you.

This warranty applies only while this appliance is used in the United States and Canada.

This warranty gives you specific legal rights, and you may also have other rights which vary from state to state.

Sears, Roebuck and Co., Dept. 814WA, Hoffman Estates, IL 60179
Sears Canada Inc. Toronto, Ontario, Canada M5B 2B8

Installation

Remove all packing material and tape from the unit. Inspect the unit thoroughly, notify Sears immediately if the unit has any damaged or missing parts. Install the unit on a strong level floor or counter. Avoid any direct sunlight, heat source or moisture. Let air circulate freely around the refrigerator. Keep the back of the unit at least 4 inches away from the wall. Provide at least 1 inch of space between the top of the unit and any surface above it.



CAUTION: If you turn off the cold control, allow at least three minutes before restarting to avoid blowing fuses or tripping your circuit breaker.

Electrical Requirements

120 Volts, 60 Hz (60 cycles AC), 15 amps.

Electrical Grounding

Your refrigerator comes with a three-prong plug and must be inserted into a three-prong, grounded wall outlet. Do not use an extension cord.



WARNING: Unless the above grounding methods are followed, you are not protected against severe or lethal shock in the event of a short circuit in refrigerator wiring or electrical components.

Things to Remember

1. When resetting your refrigerator to a new temperature, allow 24 hours for it to reach the new setting.
2. The motor will start and stop often. It must do so in order to maintain the temperature you select.
3. Keep your refrigerator level.
4. Unplug the refrigerator before doing anything with the electrical system.

Sears, Roebuck and Co., Hoffman Estates, IL 60179

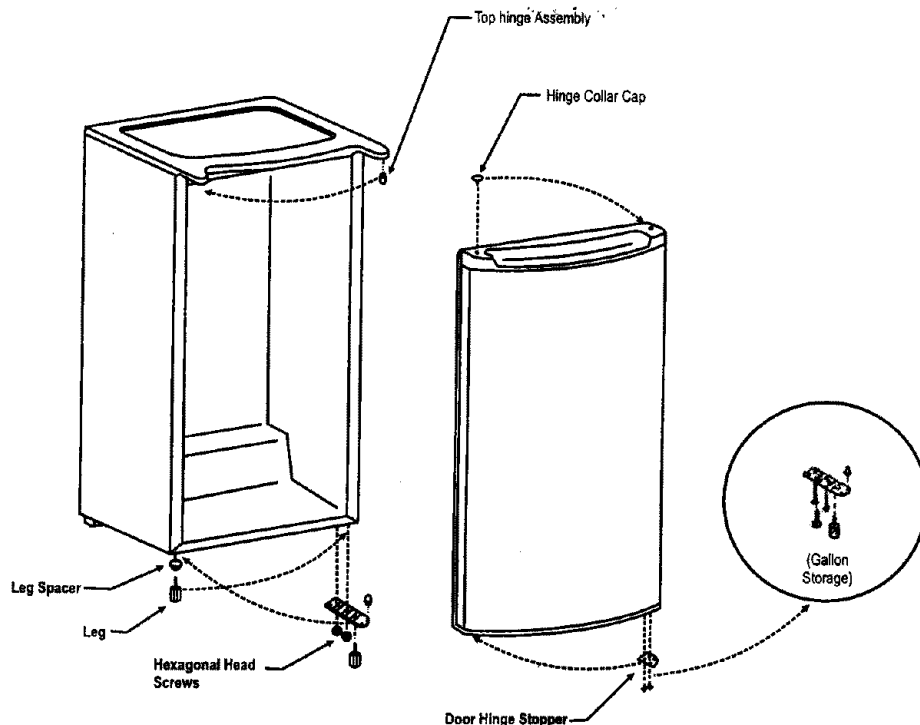
Part No. 302978
(SR4432SB/SMD)

Sears, Roebuck and Co., U.S.A.

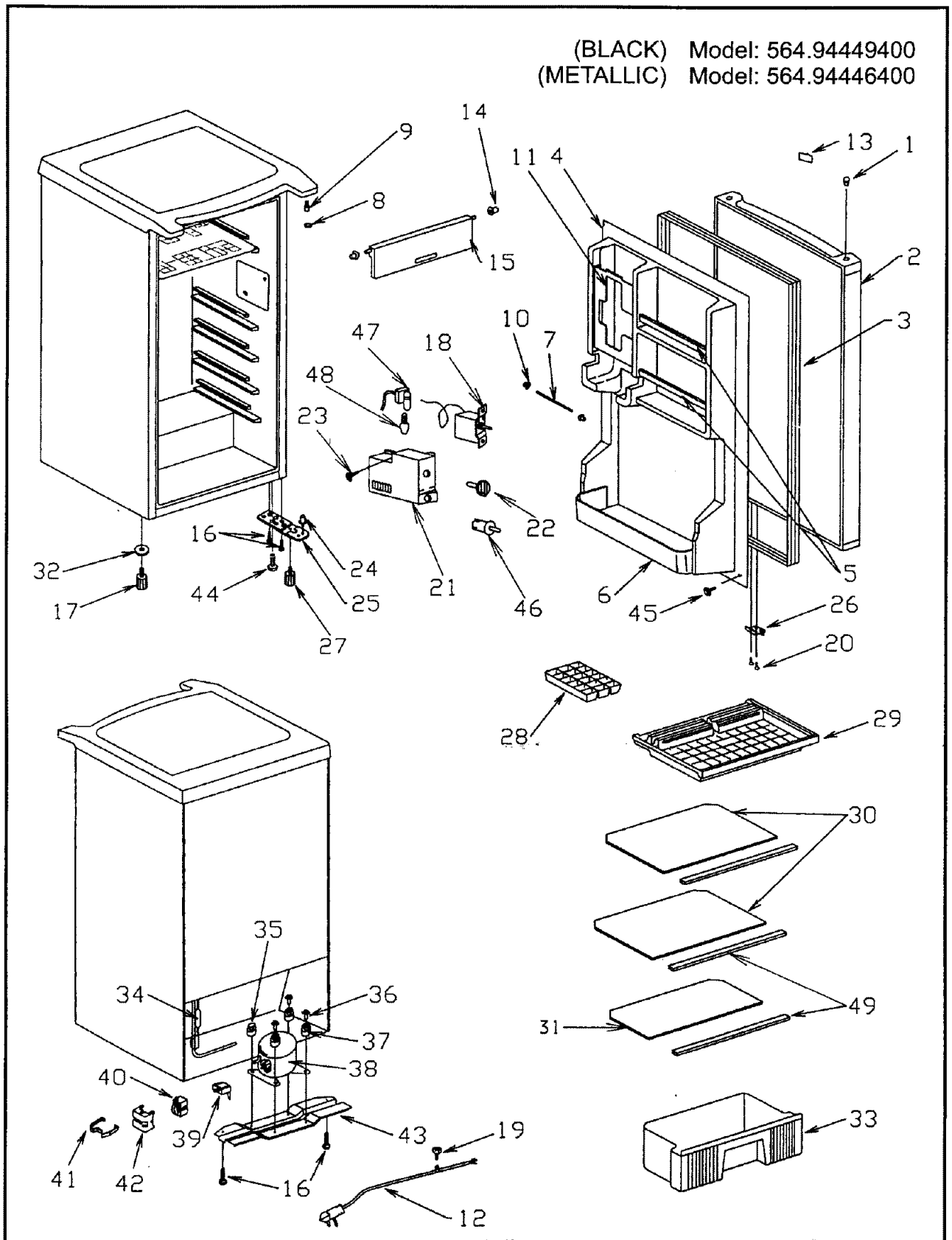
HOW TO TRANSFER THE DOOR HINGE LOCATION OF A REVERSIBLE DOOR

For your convenience, this door can be reversed by changing the position of the door hinge assembly.

1. Gently lay the refrigerator on its back.
2. Unscrew the leg at opening side and set aside. **There may be a screw next to the leg; if so unscrew it. Otherwise unable to attach the hinge.*
3. Unscrew two screws (some models have 3 screws) at the bottom hinge, remove the leg, a hinge and a shaft.
4. Unscrew two screws at the bottom of the door and remove the door stopper, then transfer them to the other side.
5. Pull the door toward you, and set it at the side. (We recommended putting the door on a blanket to avoid scratches.)
6. Remove the shaft carefully from the top table as using the screwdriver and relocate it to the other side.
7. Remove the hinge collar cap from the door cap, and then relocate it to the other side.
8. Reattach the door to the refrigerator cabinet toward the shaft at the top table and the bottom of the door hole has to meet with the shaft at the bottom hinge.
9. Reattach the hinge with two screws (some models have 3 screws), the leg and also the shaft with the hinge.
10. Now your door has been reversed. The following points should be checked.
 - A. Make sure the door is on straight.
 - B. Make sure that there is no space between the door gasket and the refrigerator unit itself when the door is closed.
 - C. Make sure that the gasket on the hinge side is not caught between the door and the unit when the door is opened or closed. (If the door is forced closed when the gasket is caught, the gasket may be damaged.)When checking the above points, if it is discovered that the door is not installed properly (this is apt to happen at the first try), loosen the screws holding the lower hinge, straighten the door and tighten the screws slowly with the socket wrench. After making sure that the door is installed correctly, tighten all the screws holding the door and the unit.
11. Stand the unit back in the upright position.
Wait 3 hours before plug in the power cord.



(BLACK) Model: 564.94449400
(METALLIC) Model: 564.94446400



Parts List

Model: 564.94449400 (Black)
 Model: 564.94446400 (Metalic)

Use Sears part number on all orders, not the illustration number.
 (Please refer to illustration next page)

Illus. No.	Part No.	Description	Illus. No.	Part No.	Description
1	302550	Grommet Cap, black	25	302345	Hinge Bottom
2		Foamed Door Assy.	26	302881	Hinge Stopper
	302847	Metallic	27	302291	Leg M5
	302980	Black	28	302486	Ice Cube Tray
3	302715	Door Gasket	29	302849	Drip Tray
4	302977	Door Liner w/light	30	302976	Shelf, glass
5	302764	Panel Guard	31	302364	Crisper Shelf, glass
6	302530	Door Rack gallon	32	302509	Washer
7	302541	Panel Bar	33	300820	Crisper
8	302378	Nylon Washer, 10185	34	302304	Drier
9	302761	Hinge Shaft	35	302289	Compressor Mtg. Grommet 10196
10	302854	Door Shelf Bushing	36	300413	Compressor Mtg. Bolts
11	302771	Can Dispenser	37	302427	Compressor Mtg. Grommets #10195
12	302548	Power Cord	38	302754	Compressor
13	302362	Mascot black	39	301976	Overload relay 189T
14	302309	Evaporator Door Grommet	40	302306	PTC Thermister
15	302762	Evaporator Door	41	302696	Clip, Relay Cover
16	302009	Bolts 10119	42	302573	Relay Cover
17	302923	Leg M8	43	302974	Compressor Base Plate
18	302522	Thermostat	44	302936	Bolt
19	301991	Screw 10026	45	300308	Screw 10023
20	302952	Screw 10206	46	302192	Switch
21	302685	Thermo Pane w/hole	47	302199	Socket
22	302175	Thermo Knob	48	301021	Lamp indicator
23	302772	Screw 10236	49	302172	Trim, shelf
24	302903	Shaft Hinge Bottom			

Parts Not Illustrated

302978	Owner's Manual/Parts List
302979	Technical Sheet
302769	FTC Label
302863	Wiring Diagram W/Light

3/4/2004

Use and Care Information

Tips on everyday care and use

1. To control the temperature:

First, set the cold control on "3". Wait 24 hours for the entire cabinet to cool. Then adjust the control if necessary. Setting the Cold Control to MIN, is the warmest setting; MAX is the coldest. The MAX setting may reduce the temperature to below freezing, but it will not cool the refrigerator faster.

The fresh food section should be as cold as possible without freezing vegetables or milk. Adjust as necessary.

2. Defrost:

Defrost when 1/4 inch of frost forms. Set the temperature control dial to OFF for defrosting. Remove food. Do not touch the freezing plate with your bare hands. Do not use electric defrost devices or hair dryers to melt the frost. They may damage the plastic parts. When defrosting is completed, wipe the freezing plate dry and reset the control dial. Return food to refrigerator.

3. For all cleaning:

Mix 2 tablespoons baking soda with 1 quart warm water or use a mild soap. Do not use strong cleaners, scouring powder or pads. For persistent odors, contact Sears Service Center for odor removal products. Do not put the drip tray in the dishwasher.

Energy Saving tips

1. **Close the door as soon as you can** after opening it. Make sure the door is fully shut after each use so the cold air does not escape from the refrigerator cavity.
2. **Adjust the Cold Control.** Try a warmer setting. Your refrigerator may be colder than necessary. Use the condition of milk to check refrigerator temperature. As long as milk keeps without spoiling your refrigerator is cold enough.
3. **Do Not** place hot foods in the refrigerator.
4. **Do Not** allow more than 1/4 inch of frost to build up in the freezer compartment.

5. **Reduce** the number and length of time you open the door. Your cooling system will not have to run as often.

6. **Keep your refrigerator level**, so that the door seals tightly. When the door is closed, the door gaskets should touch the refrigerator all the way around. If not, make your refrigerator level by use of the adjustable leg located under the unit.

7. **Keep your refrigerator away** from stoves or other heat sources. A cool and dry place allows your refrigerator to operate more efficiently.

Before Calling for Service

- Check the plug and fuse.
- Test the outlet with a lamp.
- Be sure the control is not set to OFF.
- Read the manual, especially the items under Use and Care Information. You may find the answer to your questions.
- If you do not find the answer to your questions in this manual, find the unit model number (on the upper back of the refrigerator) and contact your Sears Service Center.

When requesting service or ordering parts, always provide the following information:

- Product name.
- Model number.
- Part Name
- Part Number



DANGER: ELECTRICAL SHOCK HAZARD

Disconnect power before servicing.

Get fixed, at your home or ours!

Your Home

For repair-in your home-of all major brand appliances, lawn and garden equipment, or heating and cooling system, **no matter who made it, no matter who sold it!**

For the replacement parts, accessories and owner's manuals that you need to do-it-yourself.

For Sears professional installation of home appliances and items like garage door openers and water heaters.

1-800-4-MY-HOME[®] (1-800-469-4663)

Call anytime, day or night (U.S.A. and Canada)

www.sears.com www.sears.ca

Our Home

For repair of carry-in items like vacuums, lawn equipment, and electronics, call or go on-line for the location of your nearest **Sears Parts & Repair Center.**

1-800-488-1222

Call anytime, day or night (U.S.A. only)

www.sears.com

To purchase a protection agreement on a product serviced by Sears:

1-800-827-6655 (U.S.A.)

1-800-361-6665 (Canada)

Para pedir servicio de reparación a domicilio, y para ordenar piezas:

1-888-SU-HOGARSM

(1-888-784-6427)

Au Canada pour service en français:

1-888-LE-FOYER^{MC}

www.sears.ca

SEARS

® Registered Trademark/TM Trademark/SM Service Mark of Sears, Roebuck and Co.

© Marca Registrada/TM Marca de Fábrica/SM Marca de Servicio de Sears, Roebuck and Co.

^{MC} Marque commerce/^{MD} Marque déposée de Sears, Roebuck and Co.

Printed in Mexico
(03/14/06)

Part No. 8336460156600A
© Sears, Roebuck and Co.