



# INSTALLATION AND OPERATION MANUAL

## GARLAND S680, SS680 & SU680 SERIES RESTAURANT RANGES AND SALAMANDERS



**FOR YOUR SAFETY:**  
DO NOT STORE OR USE GASOLINE  
OR OTHER FLAMMABLE VAPORS OR  
LIQUIDS IN THE VICINITY OF  
THIS OR ANY OTHER  
APPLIANCE

**WARNING:**  
IMPROPER INSTALLATION, ADJUSTMENT,  
ALTERATION, SERVICE OR MAINTENANCE  
CAN CAUSE PROPERTY DAMAGE, INJURY,  
OR DEATH. READ THE INSTALLATION,  
OPERATING AND MAINTENANCE  
INSTRUCTIONS THOROUGHLY  
BEFORE INSTALLING OR  
SERVICING THIS EQUIPMENT

PLEASE READ ALL SECTIONS OF THIS MANUAL  
AND RETAIN FOR FUTURE REFERENCE.

THIS PRODUCT HAS BEEN CERTIFIED AS  
COMMERCIAL COOKING EQUIPMENT AND  
MUST BE INSTALLED BY PROFESSIONAL  
PERSONNEL AS SPECIFIED.

INSTALLATION AND ELECTRICAL CONNECTION  
MUST COMPLY WITH CURRENT CODES:  
IN CANADA - THE CANADIAN ELECTRICAL  
CODE PART 1 AND / OR LOCAL CODES.  
IN USA - THE NATIONAL ELECTRICAL CODE  
ANSI / NFPA - CURRENT EDITION.

ENSURE ELECTRICAL SUPPLY CONFORMS WITH  
ELECTRICAL CHARACTERISTICS SHOWN ON  
THE RATING PLATE.

Users are cautioned that maintenance and repairs must be performed by a Garland authorized service agent using genuine Garland replacement parts. Garland will have no obligation with respect to any product that has been improperly installed, adjusted, operated or not maintained in accordance with national and local codes or installation instructions provided with the product, or any product that has its serial number defaced, obliterated or removed, or which has been modified or repaired using unauthorized parts or by unauthorized service agents. For a list of authorized service agents, please refer to the Garland web site at <http://www.garland-group.com>. The information contained herein, (including design and parts specifications), may be superseded and is subject to change without notice.

GARLAND COMMERCIAL RANGES, LTD.  
1177 Kamato Road, Mississauga, Ontario L4W 1X4  
CANADA  
Phone: 905-624-0260  
Fax: 905-624-5669

## IMPORTANT INFORMATION

**WARNING:**

**This product contains chemicals known to the state of California to cause cancer and/or birth defects or other reproductive harm. Installation and servicing of this product could expose you to airborne particles of glass wool/ceramic fibers. Inhalation of airborne particles of glass wool/ceramic fibers is known to the state of California to cause cancer.**

# TABLE OF CONTENTS

<b>IMPORTANT INFORMATION.....</b>	<b>2</b>	<b>OPERATING INSTRUCTIONS.....</b>	<b>11</b>
<b>DIMENSIONS AND SPECIFICATIONS, MODELS S,SU &amp; SS684 .....</b>	<b>4</b>	Operation of the Griddle:.....	11
<b>DIMENSIONS AND SPECIFICATIONS, MODELS S,SU &amp; SS686 .....</b>	<b>5</b>	Operating The Solid Hot Top .....	11
<b>DIMENSIONS AND SPECIFICATIONS, RANGE MODELS .....</b>	<b>6</b>	Operating The Sealed Hotplate (SS/SU) Models. ....	12
<b>DIMENSIONS AND SPECIFICATIONS, MODELS SERC, SER-680 .....</b>	<b>7</b>	Operation Of Standard Ovens .....	12
<b>INTRODUCTION.....</b>	<b>8</b>	Operation of the Convection Ovens.....	13
Uncrating.....	8	Operation of the Salamander.....	13
Rating Plate.....	8	<b>PRODUCT APPLICATION.....</b>	<b>14</b>
Safety Precautions .....	8	Griddles .....	14
<b>INSTALLATION.....</b>	<b>9</b>	Solid Hot Tops .....	14
Clearances.....	9	Sealed Hotplate (SS/SU Models).....	14
Positioning .....	9	Standard Ovens.....	14
Legs.....	9	RC Convection Ovens .....	14
Casters .....	9	<b>MAINTENANCE AND CLEANING.....</b>	<b>15</b>
Ventilation Air .....	9	General .....	15
Installation Of Range Mount Salamander.....	9	Cleaning.....	15
Assembly of Backguard/High Shelf .....	10	Stainless Steel.....	15
Code Requirements.....	10	Enameled Surfaces .....	15
Electrical Supply .....	10	Salamander .....	15
Single And Three Phase Connection .....	10	Ovens .....	15
Commissioning .....	10	Griddles .....	16
<b>INITIAL OPERATION .....</b>	<b>11</b>	After Each Use .....	16
Preparing a New Griddle .....	11	For Heavy Build Up.....	16
Seasoning of the Griddle .....	11	Griddle Do's & Don'ts.....	16
		Thermostat Calibration.....	16
		Oven .....	16
		Griddle .....	17
		<b>SAFETY.....</b>	<b>18</b>



# DIMENSIONS AND SPECIFICATIONS, MODELS S,SU & SS684

Model	Total Kw Load	Nominal Amps					
		208V/1Ph	208V/3 Ph	240V/1Ph	240V/3 Ph	400 V/3N	415V/3N
<b>S684*</b>	27	127	76	110	66	—	—
<b>SS/SU684**</b>	33	157	97	136	84	60	58
<b>SS/SU684RC2***</b>	34	164	100	142	87	60	58
<b>Salamander Broiler****</b>	7	N/A*****	23	29	20	4	4

\*(All purpose tubular elements) \*\*(Sealed -top elements, Model # SS684 in North America) \*\*\* Maximum on any 684 series range.

\*\*\*\*Add when wired to range base (SER/SUER-680) \*\*\*\*\*Note: For 208V/1phase the salamander cannot be wired into the range.

Exterior Dimensions			Oven Interior Dimensions		
Height	Width	Depth†	Height	Width	Depth
47" (1194mm)	60" (1524mm)	34-1/4" (870mm)	13-1/2" (343mm)	26-1/4" (667mm)	22" (559mm)

† With Front Rail Note: Shipping Cubic Feet is 84.5.

### Ratings:

Tubular Elements - Small 6-1/2" (165mm) - 1250 Watts. Large 8-1/2" (216mm) - 2100 Watts

Sealed Elements - Small 7-1/2" (191mm) - 2000 Watts. Large 9" (229mm) - 2600 Watts

Hot Plate - (per 12"/305mm section) - Front and Rear sections each 1675 Watts, (3350 Watts total)

Griddle - (per 12"/305mm section) - 3350 Watts

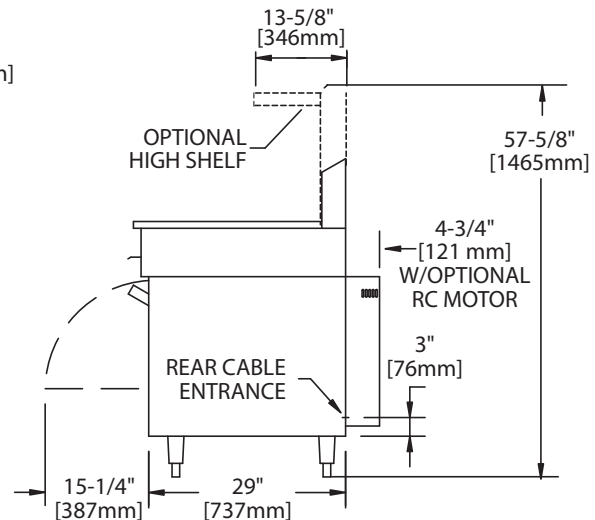
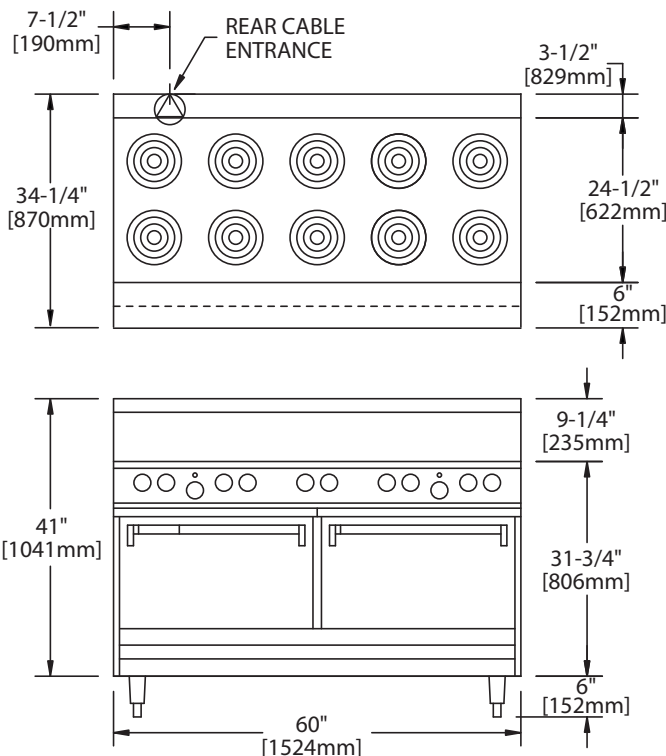
Standard Oven - 4.85 kW

Convection Oven - 5.0 kW (plus 0.5kW fan motor, for 5.5kW total)

**NOTE:** Many local codes exist, and it is the responsibility of the Owner and the Installer to comply with those codes.

Installation Clearances:	Side	Back
<b>Range w/o Salamander</b>	3" (76mm)	2" (51mm)
<b>Range w/ Salamander</b>	7" (178mm)	2" (51mm)
<b>Hot Plate</b>	10" (254mm)	—

**NOTE:** For ranges with convection oven(s), (models with suffix `RC` or `RC2`), air circulation is required for proper operation of fan motors. These models must not be dais mounted or installed without legs.



# DIMENSIONS AND SPECIFICATIONS, MODELS S,SU & SS686

Model	Total Kw Load	Nominal Amps					
		208V/1Ph	208V/3 Ph	240V/1Ph	240V/3 Ph	400 V/3N	415V/3N
<b>S686*</b>	15	72	48	62	42	—	—
<b>S686RC</b>	16	75	51	64	44	—	—
<b>SS/SU686**</b>	19	90	59	78	52	40	38
<b>SS/SU686RC</b>	20	93	62	80	54	40	38
Salamander Broiler***	7	34	19	29	16	4	4

\*Tubular elements; \*\*Sealed -top elements, Model # SS686 in North America; \*\*\*Add when wired to range base (SER/SUER-680)

Exterior Dimensions			Oven Interior Dimensions		
Height	Width	Depth†	Height	Width	Depth
47" (1194mm)	36" (914mm)	34-1/4" (870mm)	13-1/2" (343mm)	26-1/4" (667mm)	22" (559mm)

† With front rail Note: Shipping Cubic Feet is 58.5

Entry Clearances		
Crated	Uncrated	Uncrated "RC" Model
45" (1143mm)	35" (889mm)	40" (1016mm)

**NOTE:** Many local codes exist, and it is the responsibility of the Owner and the Installer to comply with those codes.

Installation Clearances:	Side	Back
<b>Range w/o Salamander</b>	3" (76mm)	2" (51mm)
<b>Range w/ Salamander</b>	7" (178mm)	2" (51mm)
<b>Hot Top</b>	10" (254mm)	—

## Ratings:

**Tubular Elements:** 6-1/2" (165mm): 1250 Watts

8-1/2" (216mm): 2100 Watts

**Sealed Elements:** 7-1/2" (191mm): 2000 Watts

9" (229mm): 2600 Watts

**Hot Tops:** (per 12"/305mm section):

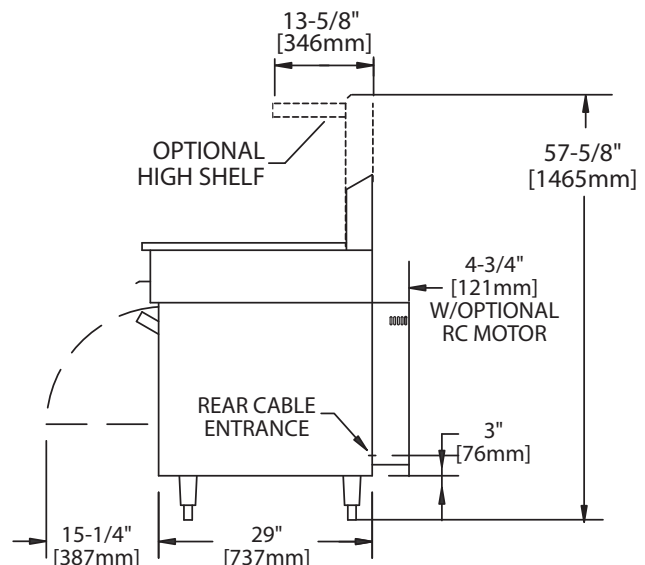
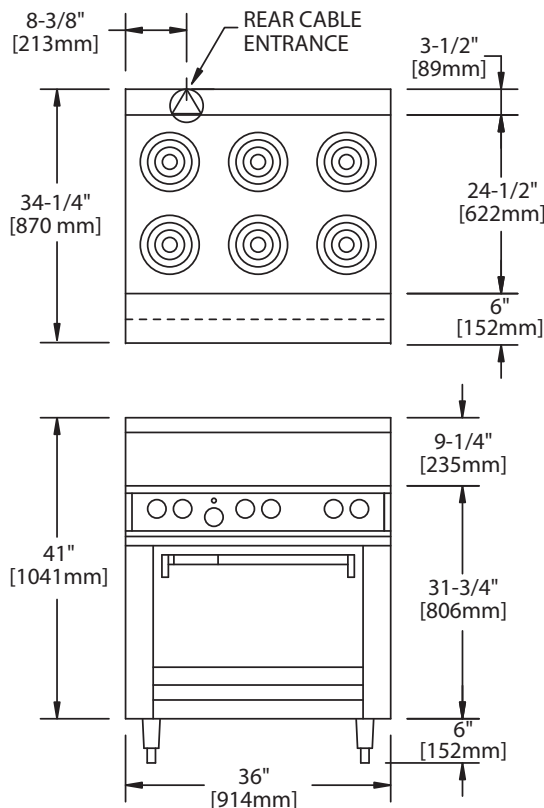
Front and Rear sections each 1675 Watts, (3350 Watts total)

**Griddle** (per 12"/305mm section): 3350 Watts

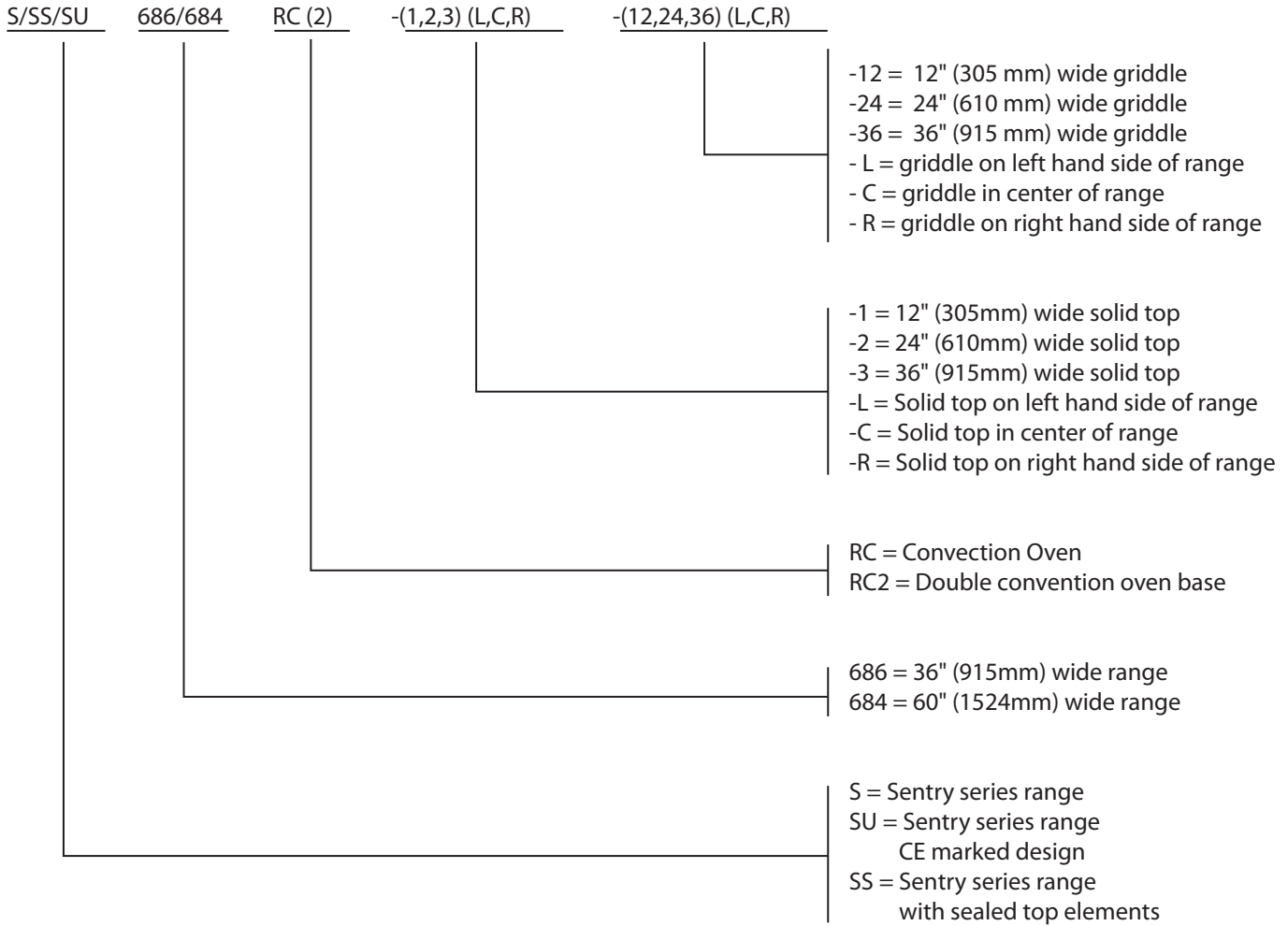
**Standard Oven:** 4.85 kW

**Convection Oven:** 5.0 kW (+0.5kW fan motor; for 5.5kW total)

**NOTE:** For ranges with convection oven, (models with suffix `RC`), air circulation is required for proper operation of fan motors. These models must not be dais mounted or installed without legs.



# DIMENSIONS AND SPECIFICATIONS, RANGE MODELS



# DIMENSIONS AND SPECIFICATIONS, MODELS SERC, SER-680

Model	Total Kw Load	TOTAL AMPS					
		208V/1Ph	208V/3 Ph	240V/1Ph	240V/3 Ph	400 V/3N	415V/3N
SERC, SER-680 wired independently	7	34	29	29	25	15	15

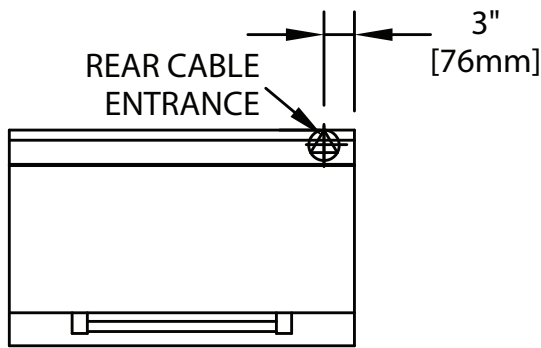
## Installation Notes:

Clearances from combustible surfaces should be minimum 7" (178mm) from sides, 2" (51 mm) from back.

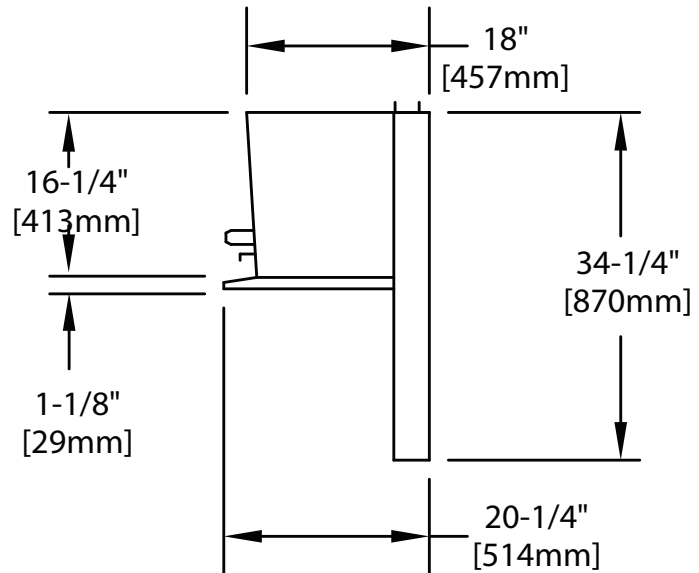
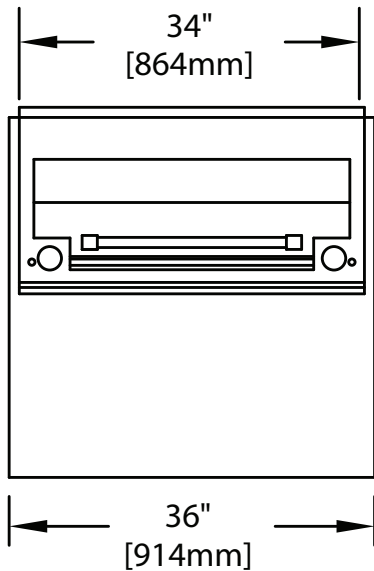
\*Note: 3 phase ratings apply to SERC and SER-680 ordered separately. When a range and salamander are ordered together it is standard for the salamander to be prewired at the factory to interconnect with the range (single phase). For further information on ratings and connection options consult the factory.

KW Ratings

Total kW loading is 7.0 kW



Model	Shipping	
	Cu Ft	Lbs/Kg
S/SUERC	11	210/95
S/SUER-686	25	176/80
S/SUER-684	35	209/95



# INTRODUCTION

This appliance should be given regular care and maintenance. Periodic inspections by your dealer or a qualified service agency are recommended.

NOTE: Many parts of the equipment are raw steel, i.e., griddle top and solid hot top and can react with moisture forming rust. This is normal and not considered a defect. A light coating of salt free oil may be applied to prevent further rusting.

## Uncrating

1. Check the crate for possible damage sustained during transit. Carefully remove the unit from the crate and again check for damage. Any damage to the appliance must be reported to the carrier immediately.
2. All packing material must be removed from the unit. The protective material covering the stainless steel must be removed immediately, after the unit is installed.
3. All ranges are shipped from the factory with legs or casters fitted unless specially ordered without.
4. The splash back and high shelf is packed and ordered separately.
5. Do not remove permanently affixed labels, warnings or data plates from the appliance, for this may void approvals and create a safety hazard.

## Rating Plate

The data plate is readily accessible, located behind the lower panel on ranges & behind the drip tray on salamanders. It contains all the pertinent information required by the installer.

When corresponding with the factory or your local authorized factory service center regarding service problems or replacement parts, be sure to refer to the particular unit by the correct model number (including the prefix and suffix letters and numbers) and the warranty serial number. The rating plate affixed to the unit contains this information.

## Safety Precautions

This manual pertains to ranges and salamanders. The reader/operator must interpret its contents to applicable needs. If there is any question of interpretation of any of the literature pertaining to Garland ranges or salamanders, please contact your authorized service agency, or our customer service department at the phone number listed on the front of this manual or on our web site: <http://www.garland-group.com>.

A qualified person must make the installation of these products in accordance with the local codes of the country of destination.

Always follow these safety precautions when operating the range or salamander.

1. The Unit must only be operated by qualified persons. DO NOT operate without reading this manual.
2. DO NOT operate the product unless it has been properly installed and grounded.
3. DO NOT operate the product unless all service and access panels are in place and fastened properly.
4. DO NOT attempt to repair or replace any part of this product unless all main power supplies have been disconnected.

**WARNING:** to avoid personal injury: Use Extreme caution in setting up, operating and cleaning the product to avoid coming in contact with the hot grill surfaces or hot grease. Suitable protective clothing should be worn to prevent the risk of burns.

NOTE Other Safety precautions are noted throughout this manual, when applicable for specific operations.

# INSTALLATION

This equipment must be installed by a competent factory trained, certified, licensed and / or authorized service or installation person. Electrical work must be installed by a qualified person as required by the local electrical authorities.

**WARNING:** This appliance must be grounded.

**CAUTION:** Prior to installation check the electrical supply to ensure the input voltage and phase match the equipment voltage rating and phase as shown on the rating plate.

## Clearances

The space in which the appliance is to be positioned must include the minimum installation clearances to combustible surfaces.

MINIMUM INSTALLATION CLEARANCES			
Clearance To Combustible Material			
Location	Models		
	Ranges	Ranges c/w Hot Top	Salamander
Top	*	*	*
Sides	3" (76mm)	10" (254mm)	7" (178mm)
Rear	2" (51mm)	2" (51mm)	2" (51mm)

\* NOTE: Garland recommends equipment be installed under a ventilation canopy.

LOCATION	
Models	Type Of Floor Or Base
Ranges	Combustible
Ranges c/w Hot Top	Combustible
Salamander	Non-Combustible

**IMPORTANT:** For ranges with convention oven (models with suffix "RC"), air circulation is required for proper operation of the fan motors. Allow 1" (25mm) rear clearance for ventilation of the motor.

Adequate clearance must be provided for servicing, ventilation and proper operation. The range must be kept clear of combustible material.

## Positioning

The range should be installed on a firm, smooth and level floor designed to withstand the weight of the fully laden appliance.

Place the range or salamander in desired position and level from side to side and back to front and diagonally. This leveling must be done with the unit under the hood and in it's normal operating position. If the range is to be dais or cove mounted, the base on which it is to be set should be level. If it is not, the range must be shimmed to level.

## Legs

All ranges are shipped from the factory with legs installed unless otherwise specified. When the range is specified for dais or cove base mounting, it is shipped less legs. Legs must be adjusted to a minimum height of 6" (152mm) in order to comply with NSF standards.

## Casters

1. The front casters on the unit are equipped with brakes to limit the movement of the range without depending on the electrical connection to limit appliance movement.
2. A restraint can be attached to the unit near the electric connection. If the restraint is disconnected, be sure to reconnect it after the range has been returned to its originally installed position.

## Ventilation Air

The area in which the appliance is installed must be adequately ventilated to provide air for removal of steam, heat generated by the appliance, etc. These products are recommended to be installed under a ventilation hood.

Proper operation of exhaust fans (proper speed, rotation and adjustment) is essential. The hood, and the filters must be cleaned on a regular bases and kept grease free.

## Installation Of Range Mount Salamander

1. The rear of the range must be easily accessible.
2. Place the salamander in position on the range. Slide the uprights into the opening at the oven rear. Secure the salamander uprights to the range with the hex head bolts provided.
3. Remove the terminal block access cover
4. Pass the wires though cable entrance hole.
5. Secure the cable connector.
6. Terminate the salamander wire at the terminal block provided (Red to L1, Black to L2 or N, Green to GRN or E).

# INSTALLATION Continued

NOTE: When mounting a salamander over an existing range in the field, an independent fused connection must be made through the knock out plate provided in the main back of the salamander.

## Assembly of Backguard/High Shelf

The back guard or high shelf will have been shipped separately. To install, put the backguard/high shelf on the rear of the range, slipping the uprights into the opening on each burner box side. Fasten the upright to the burner box side with four hex fasteners provided.

## Code Requirements

The Garland S/SS680 series complies with the standards CSA C22.2 no.109 – latest edition, the UL197 – latest edition and the NSF#4 – latest edition. The installation and connection of this appliance must comply with current codes. In Canada – The Canadian Electrical Code Part 1 and in the USA – The National Electrical Code.

The Garland SU680 series complies with the essential requirements of the Directives 73/23/EEC, 89/336/EEC, 89/392/EEC, 93/68/EEC and the standards, EN60335, IEC801.2, IEC801.3, IEC801.4, IEC801.5, IEC801.6 and IEC801.11.

## Electrical Supply

Before attempting the electrical connection, the rating plate should be checked to ensure that the equipment's electrical characteristics and supply electrical characteristics agree. On ranges and salamanders the supply entrance is located at the rear or alternatively on the main bottom. The supply terminal block is accessible from the front. The electrical supply must be adequate for the voltage, phase, and current marked on the rating plate.

NOTE: A means of disconnection from the supply having a contact separation of at least 3 mm in all poles must be incorporated in the fixed wiring.

This equipment is intended to be installed with fixed permanent wiring.

WARNING: This appliance must be grounded.

## Single And Three Phase Connection

Unless otherwise noted, all ranges are shipped from the factory for three phase connection. Salamanders are shipped from the factory for single phase connection. A wiring diagram is attached to the rear of each appliance. Visually check all electrical connections. The range is wired at the factory as specified on the order. If it is necessary to change the phasing refer to the wiring diagram.

## Commissioning

Ensure all circuit breakers located in the lower compartment are set to the ON (1) position

1. Ensure that all controls are in the OFF position and turn on the main electrical supply.
2. Operate each section of the range or salamander in accordance with the instructions given in the Operating Instructions.
3. Check that the product functions correctly and that the voltage supply to the unit does not drop more than 5% when all sections are operated simultaneously.

# INITIAL OPERATION

## Preparing a New Griddle

1. Remove the protective coating on the surface using mild detergent.
2. Thoroughly rinse the griddle with vinegar and a water solution (3/4-cup vinegar per quart of water) and dry.

## Seasoning of the Griddle

1. Using a clean cloth, rub a thin and even layer of oil into the griddle surface. Oil should be unsalted shortening or high temperature cooking oil.

2. Set the griddle thermostat to 130°F (55°C) and heat griddle surface until the oil begins to caramelize (turn a golden brown color). Once this occurs, turn the thermostat to OFF (●).
3. Scrape off the caramelized oil with a standard spatula.
4. Repeat step 1, and set the griddle thermostat to 275°F (135°C).
5. Repeat steps 2 & 3. The griddle is now seasoned and ready for use.

# OPERATING INSTRUCTIONS

## Operation of the Griddle:

The griddle must be seasoned before initial operation.

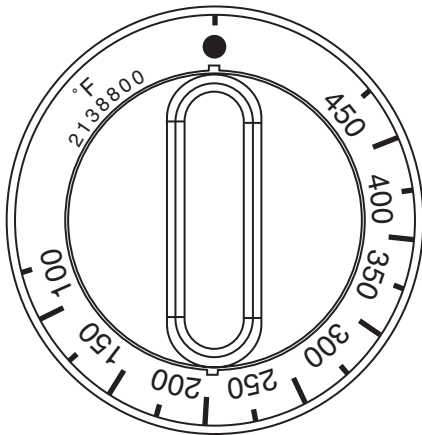
NOTE: Ensure the electrical supply to the appliance is turned on.

1. Set the thermostat to the desired temperature.

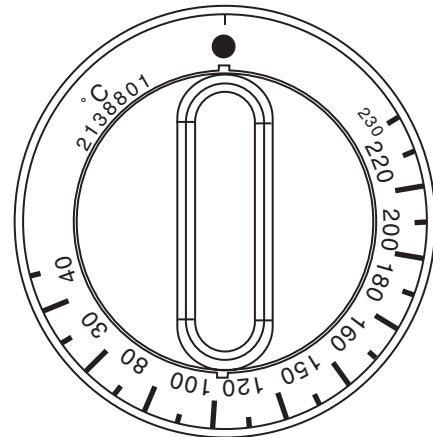
### Shutting the griddle down:

1. Set the thermostat to the OFF (●) position.

### Griddle Operating Control Fahrenheit



### Griddle Operating Control Centigrade



## Operating The Solid Hot Top

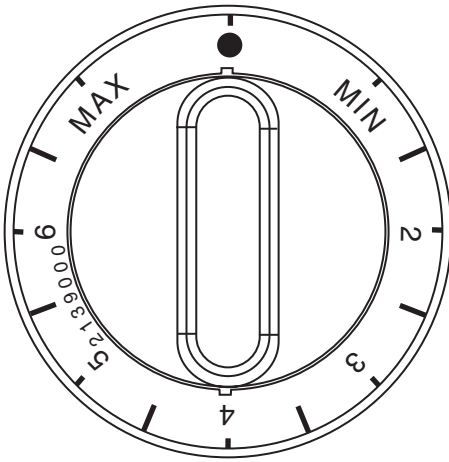
1. Set the control dial to the desired position from MIN - 2,3,4,5,6, - MAX.
2. The recommended pre-heat time is 30 minutes.

### Shutting The Solid Hot Top Down

1. Set the control dial to the OFF (●) Position.

# OPERATING INSTRUCTIONS Continued

## Solid Top/Open Top (Tubular) Operating Controls



## Operating The Sealed Hotplate (SS/SU) Models

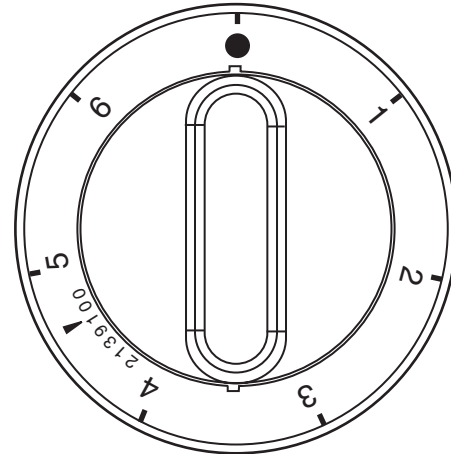
1. Before using sealed hotplates for the first time they should be heated at setting 3 for five (5) minutes. This will harden and burn off the protective coating.
2. Set the six heat switch dial to the desired position for 1 to 6.
3. Do not preheat.

SEALED HOT PLATE WATTAGES AND APPLICATIONS			
Application	Dial Setting	9" (229mm)	7-1/2" (191mm)
Broiling, Frying, Braising	6	2600 W	2000 W
	5	1750 W	1400 W
	4	1300 W	950 W
Simmering	3	450 W	450 W
	2	340 W	305 W
Warming	1	240 W	200 W

## Shutting Down The Sealed Hot Plate:

1. Set dial to the OFF (●) position.

## Sealed Hot Plate Operating Controls



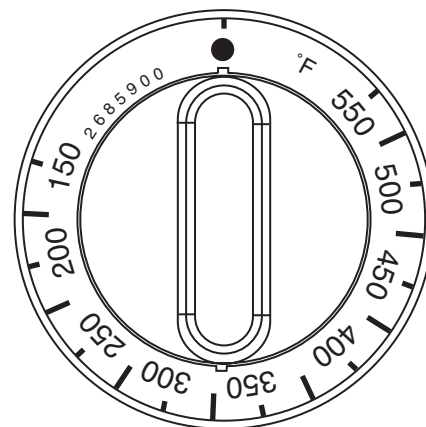
## Operation Of Standard Ovens

1. Set dial to desired temperature, preheat for at least 45 minutes after turning on the oven from cold.

## Shutting down oven:

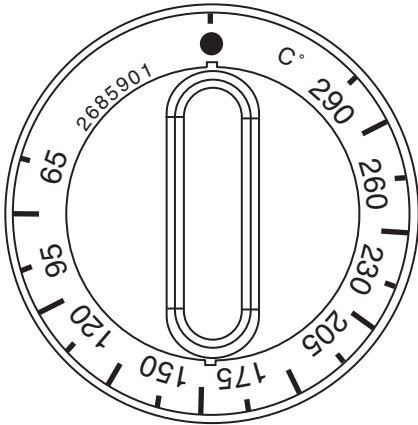
1. Set the dial to the OFF (●) Position.

## Oven Operating Controls Fahrenheit



# OPERATING INSTRUCTIONS Continued

## Oven Operating Controls Centigrade



## Operation of the Convection Ovens

### Starting the Oven:

1. Set the cook/cook switch to the "Heat" position.
2. Set Thermostat to the desired temperature.
3. Preheat the oven thoroughly before use (at least 30 minutes).

### Shutting down:

1. Set the thermostat dial to the OFF (●) position.
2. Open door.
3. Activate power to the cool down.

The motor on your range convection oven is maintenance free since it is constructed with self-lubricating sealed ball bearings. It is designed to provide durable service when treated with ordinary care. We have a few suggestions to follow on the care of your motor.

- A. When the motor is operating, it cools itself internally by air entering the rear of the motor case, provided proper clearance has been allowed.

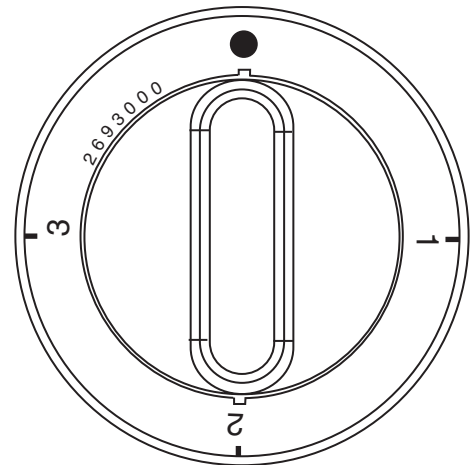
- B. Since the blower wheel is in the oven cavity it is at the same temperature as the oven. If the motor is stopped while the oven is hot, the heat from the blower wheel is conducted down the shaft and into the armature of the motor. This action could shorten the motor life.
- C. We recommend, at the end of the bake or roasting period or before shutting down completely, that the doors be left open. Set the fan switch to the "COOL DOWN" position. The fan should run for at least 20 minutes. The "FAN" should never be turned "OFF" when the oven is "HOT".

## Operation of the Salamander

1. Set the three heat switch to the desired position from – 1 (MIN), 2, 3 (MAX).
2. Allow the salamander to preheat before adding product.

### Shutting the salamander down

1. Set the three heat switch to the OFF (●) position.
2. Turn the switches to the off position when the unit is not in use.



# PRODUCT APPLICATION

The top of the range is designed for flexibility and the preparation of numerous types of products.

## Griddles

Griddle tops are designed to have food cooked directly on the surface. Do not put pots or pans on the griddle surface as this will scratch or nick the surface and will result in improper cooking or sticking of the product. Never salt food over the griddle since this will build up gummy residue making it difficult to clean.

Avoid hitting the surface of the griddle with the edge of a spatula, since this will cause nicks. The most frequently used temperatures are 300° F to 350° F (149° C to 177° C). After one firing, the griddle plate will discolor. This is normal and will not affect cooking performance.

## Solid Hot Tops

Recommended where long term stock pot cooking is required for soups, sauces, or stocks. Pots can be placed anywhere on the hot top. The maximum recommended stock pot size is 12" (305mm) diameter.

The recommended pre-heat time is 30 minutes. This will thoroughly saturate the plate. Pots must have flat bottoms for maximum contact with the hot surface. Roasting pans with straps should never be used on a hot top since only the straps touch the surface and heat transfer will be minimal.

Preparation of soups, stocks, or sauces are done on the hot top where slow even cooking is desirable. Heating larger quantities of food can be done more efficiently than heating small quantities. Pots and pans should be covered whenever possible to reduce the energy consumption.

High acid sauces, such as tomato should be cooked in stainless steel vessels rather than aluminum since stainless steel will not react chemically. Light colored sauces may be discolored by the aluminum especially if stirred with a metal spoon. Salty water may pit aluminum if used frequently.

## Sealed Hotplate (SS/SU Models)

All-purpose sealed top elements provide an easy-clean top. They are intended for broiling, sauté, and other range top cooking.

Operation practices are very important for efficient use of these elements:

1. Pot bottoms must be flat. This increases the heat transfer to the pot. Do not use pots with convex bottoms or concave bottoms with more than 1/32" (1mm) concave.
2. Use pots with the same diameter as the element where possible. This will reduce heat up time.
3. Do not preheat the element. Elements are protected with a high limit, which will automatically reduce the element to a lower power. It will increase heatup time if this occurs.
4. Use a lid on pots when boiling water.

## Standard Ovens

The temperature is automatically controlled by the thermostat so satisfactory cooking can be repeated. For best performance the following instructions should be followed:

**Grid shelves:** There are three shelf positions. The shelf position is governed by the size of the product cooked. Always push the shelf back into the oven until it pops making contact with the rear of the oven.

**Tray size:** A cake tray may be used on each shelf. Single trays or dishes must not be allowed to overhang the shelf in any direction, since this will adversely affect the heat circulation.

**Loading:** Allow at least 45 minutes after turning the oven on from cold, with the thermostat at the desired temperature before loading the oven. Put the food in quickly and close the oven door.

## RC Convection Ovens

The forced air range oven improves heating efficiencies by circulating the heated air within the cooking chamber. This reduces the temperature rise time and baking time. The oven elements are interlocked with the door. When the fan switch is in the heat position the elements will only operate when the door is closed. When the fan switch is in the cool position the fan will only operate when the door is open.

Operating suggestions for convection ovens:

1. As a general guide, set the oven temperature 25-50° F (10-20° C) lower than temperature used in standard ovens.
2. Cooking times may be 2% to 3% less.

## PRODUCT APPLICATION Continued

3. Keep a close check on any product being prepared for the first time. The size of the load, temperature of the product going in, and moisture content are major factors that influence necessary cook times and temperatures.
4. Record successful times and temperatures for future reference.
5. Preheat the oven thoroughly before use (at least 30 minutes).
6. Allow air circulation around the product. Center pans on oven racks.
7. Never place pans directly on the oven bottom.
8. Do not use a deep pan for shallow cakes, cookies, etc. as heat circulation across the top of these items is essential for browning.
9. When rethermalizing frozen products, preheat oven to 50° F (10°C) higher than the cooking temperature to compensate for heat loss before and after loading. Return thermostat to the cooking temperature after loading.

## MAINTENANCE AND CLEANING

### General

Grease the door hinges and check for loose fasteners. Tighten as necessary.

### Cleaning

**WARNING:** this appliance must not be cleaned with a water jet.

### Stainless Steel

Stainless steel should be cleaned using mild detergent, a soft cloth and hot water. If it is necessary to use a non-metallic scouring pad, always rub in the direction of the grain in the metal to prevent scratching. Wash a small area at a time and rinse the washed area with a clean sponge dipped into a disinfectant and wipe dry with a clean soft cloth before it can dry.

Use only stainless steel, wood, or plastic tools to scrape off heavy deposits of grease or oil. Do not use ordinary steel scrapers or knives as particles of iron may become imbedded and rust. **NEVER USE STEEL WOOL.**

### Enameled Surfaces

Establish a regular cleaning schedule. Any spills should be wiped off immediately. The unit should be allowed to cool down before cleaning any exterior surfaces. Wipe exposed cleanable surfaces when cool with mild detergent and hot water. Stubborn residue spots may be removed with a scouring pad. Dry thoroughly with a clean cloth.

### Salamander

1. Clean the salamander racks as soon as possible after cooking with tomato or vinegar based products, which have a high acid content. These foods can cause pitting of the rack surface.
2. Drain and clean drip tray frequently. Excessive oil drain off can cause spillover.

### Ovens

Clean the oven racks and guides with hot soapy water and dry thoroughly. Clean the oven interior with oven cleaner following instructions.

# MAINTENANCE AND CLEANING Continued

## Griddles

### After Each Use

1. Using a traditional 2 1/2" – 3" (64mm –76mm) scraper or spatula, scrape the griddle surface (to remove food particles and oil residues) towards the grease trough using even front to back strokes. Deposit debris into the chute.
2. Pour shortening or oil onto the griddle surface using straight front to back motion. Clean the griddle using a griddle stone or grill screen. Always wipe with the grain of the steel, never sideways.
3. Using a clean cloth, rub a thin and even layer of oil into the griddle surface.
4. Remove the grease drawer, empty and wash thoroughly with soap and water. Replace.

### For Heavy Build Up

NOTE: After using cleaners and grease cutters, re-season the griddle.

Apply to a warm griddle for best results.

1. Using a traditional 2 1/2" – 3" (64mm –76mm) scraper or spatula scrape the griddle surface (to remove food particles and oil residues) towards the grease trough using even front to back strokes. Deposit debris into the chute.
2. Apply griddle cleaner evenly over the griddle surface and let sit as directed. Follow the procedures on the label of the specific cleaning product.
3. Using a traditional scraper or spatula, slish around the griddle cleaner to remove the build up.
4. Scrape the griddle surface towards the grease trough using even back to front strokes. Repeat step 2 if necessary.
5. Using mild detergent, clean the surface and rinse thoroughly with water and vinegar solution. Dry griddle.
6. Using a clean cloth rub a thin and even layer of oil into the griddle surface.
7. Re-season the griddle as detailed in initial cleaning. The griddle is now ready for use.

## Griddle Do's & Don'ts

### Do's

1. Season the griddle. This will prevent food from sticking and make it easier to keep the surface clean.
2. Keep the surface clean. Scraping the surface thorough out production to clear foods and oils prevents build up and will make it easier to keep the surface clean.
3. Turn the temperature down during slow periods. Reducing the temperature or turning sections off during slow times will conserve energy and prevent the plate from overheating.

### Don'ts

1. Do not use salt to clean the griddle surface, Salt is corrosive and can cause pitting of the griddle.
2. Do not allow metal utensils (Spatula, scraper, etc.) to nick and/or dent the surface of the griddle. The edges of these utensils are sharp and will create divots that oil can collect and caramelize with will cause sticking.
3. Do not use the griddle as a hot top. A large pan or pot will trap heat and can cause the griddle plate to warp.
4. Do not over heat the griddle to preheat faster. Preheating only takes 15-20 minutes.

## Thermostat Calibration

**WARNING: Turn off the electrical mains before commencing any service work.**

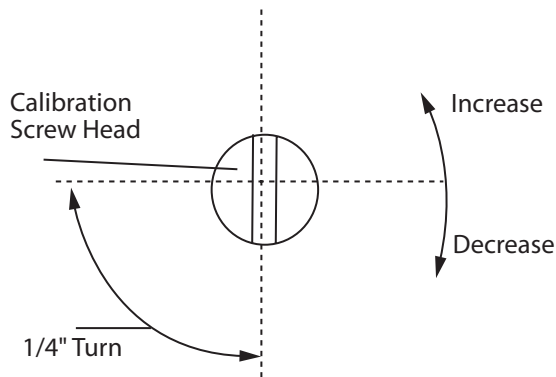
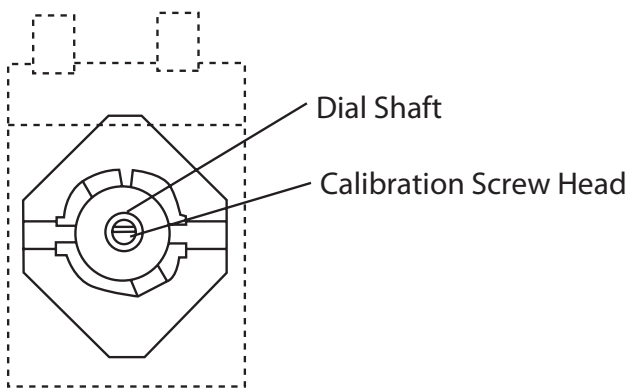
### Oven

It is normal for an electromechanical thermostat to cycle with a 45°F - 50° F (25°C - 28°C) range when checking calibration allow the thermostat to cycle a minimum of two times.

1. Place the thermocouple of the test instrument in the center of the oven.
2. Turn the oven temperature control dial to 400° F (205° C). In order to allow the oven temperature to stabilize, the oven control must be allowed to cycle twice before taking a test reading.
3. Check the temperature reading just when the control cycles "OFF" as indicated by the cycling pilot lamp. If the temperature does not read with in 15° F (8°C) of the dial setting, recalibrate as follows:

# MAINTENANCE AND CLEANING Continued

- Carefully remove the thermostat dial, not disturbing the dial setting.
- Hold the thermostat shaft steady with a small flat blade screw driver. Turn the calibration screw located inside the shaft clockwise to decrease the temperature and counter clockwise to increase the temperature. NOTE: each  $\frac{1}{4}$  turn of the screw will create a change of approximately  $35^{\circ}\text{F}$  ( $20^{\circ}\text{C}$ ).
- Replace the thermostat dial and repeat steps 1 through 3 to verify that the correct adjustment has been made.



## Griddle

- Use a test instrument with a special disc type thermocouple or a reliable surface type pyrometer. NOTE: a drop of oil on the face of the disc will provide better contact with the plate.
- Set all griddle thermostats to  $350^{\circ}\text{F}$  ( $177^{\circ}\text{C}$ ). In order to allow the griddle temperature to stabilize, the thermostats must be allowed to cycle twice before taking a test reading.
- Check the griddle temperature when the thermostat just cycles "OFF" by placing the thermocouple firmly on the griddle directly about the sensing bulb of the thermostat. The reading should be between  $335^{\circ}\text{F}$  ( $168^{\circ}\text{C}$ ) and  $365^{\circ}\text{F}$  ( $185^{\circ}\text{C}$ ). If the reading is outside of these limits, calibrate as follows:
- Carefully remove the dial, not disturbing the shaft position.
- Hold the shaft steady and with a small flat screw driver turn the calibration screw located inside the shaft clockwise to decrease temperature and counter clockwise to increase temperature. NOTE: Each  $\frac{1}{4}$  turn of the screw will create a change of approximately  $35^{\circ}\text{F}$  ( $20^{\circ}\text{C}$ ).
- Replace the thermostat dial and repeat steps 1 through 3 to verify that a correct adjustment has been made.

# SAFETY

---

It is essential that the instructions in this booklet are strictly followed for the safe and economical operation of the equipment. If it is known or suspected that a fault exists on the appliance then it must not be used until the fault has been rectified by a competent person.





 **Garland**<sup>®</sup>

**Garland**™



Il est essentiel que les instructions de la présente brochure soient strictement suivies afin d'assurer le fonctionnement sécuritaire et économique de l'équipement. Si vous savez ou soupçonnez que l'appareil présente une défaillance, vous ne devez pas l'utiliser tant que celle-ci n'a pas été corrigée par une personne compétente.

## Étalonnage Du Thermostat

**AVERTISSEMENT :** Couper l'alimentation électrique avant de commencer les travaux de réparation.

### Fours

Il est normal qu'un thermostat électromécanique se déclenche à une température de 45° F - 50° F (25° C - 28° C). Pour vérifier l'étalonnage, laissez le thermostat se déclencher au moins deux fois.

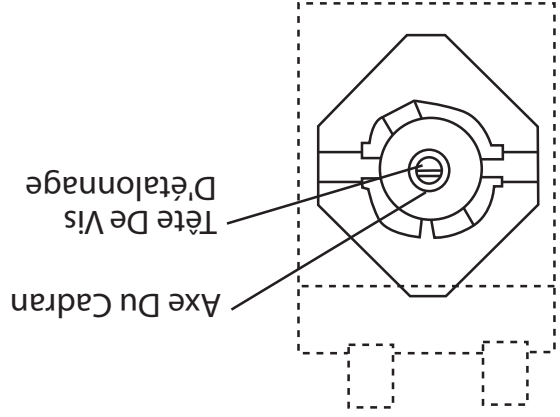
1. Placer le thermocouple de l'instrument d'essai au centre du four.

2. Tourner le cadran de commande de température du four sur 400° F (205° C). Afin de laisser la température de l'huile se stabiliser, il faut laisser la commande se déclencher deux fois avant de faire une lecture d'essai.

3. Vérifier l'indication de température juste avant que la commande ferme l'élément chauffant comme indiqué par le témoin de chauffage. Si la température indiquée diffère de plus de 15° F (8° C) de la température du cadran, réétalonner comme suit:

4. Retirer soigneusement le cadran du thermostat, sans modifier le réglage du cadran.

5. En immobilisant l'axe, tourner avec un petit tournevis plat la vis d'étalonnage à l'intérieur de l'axe dans le sens des aiguilles d'une montre pour diminuer la température ou dans le sens contraire des aiguilles d'une montre pour augmenter la température. REMARQUE : Chaque 1/4 de tour de la vis modifie la température d'environ 25° F (14° C) étapes 1 à 3 pour vérifier que le réglage est correct.



## ENTRETIEN ET NETTOYAGE suite

### Gril

1. Utiliser un instrument d'essai avec un thermocouple spécial de type à disque ou un pyromètre fiable de type «surface». REMARQUE : une goutte d'huile sur la face du disque assurera un meilleur contact avec la plaque.

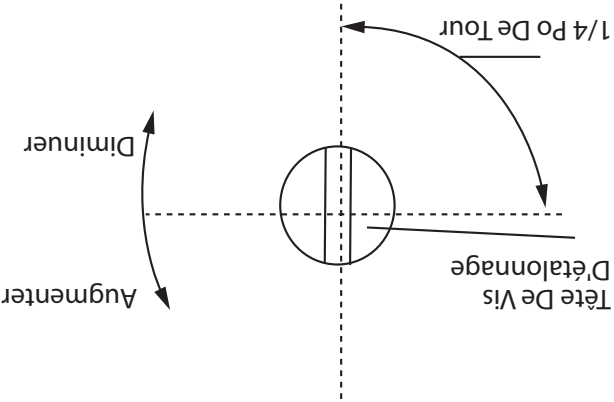
2. Régler tous les thermostats de grils à 350° F (177° C). Pour permettre à la température du grill de se stabiliser, il faut laisser les thermostats cycler deux fois avant de mesurer la température.

3. Vérifier la température du grill quand le thermostat vient juste de s'éteindre en appuyant fermement le thermocouple sur la surface du grill, directement au-dessus du bulbe thermostatique. La température devrait être comprise entre 335° F (168° C) et 365° F (185° C). Si le résultat est hors de ces limites, étalonner comme indiqué ci-après :

4. Retirer soigneusement le cadran, sans modifier la position de l'axe.

5. En immobilisant l'axe, tourner avec un petit tournevis plat la vis d'étalonnage à l'intérieur de l'axe dans le sens des aiguilles d'une montre pour diminuer la température ou dans le sens contraire des aiguilles d'une montre pour augmenter la température. REMARQUE : Chaque 1/4 de tour de la vis modifie la température d'environ 35° F (20° C).

6. Remettre en place le cadran du thermostat et répéter les étapes 1 à 3 pour vérifier que le réglage est correct.



## ENTRETIEN ET NETTOYAGE suite

### Salamandre

- Nettoyer les grilles de la salamandre dès que possible après avoir cuit des aliments très acides à base de tomate ou de vinaigre. Ces aliments peuvent causer des piqûres sur la surface du grill.
- Vider et nettoyer le bac récepteur fréquemment. Un excès d'huile se vidant dans le bac peut causer un débordement.

### Fours

Nettoyer les grilles et crémaillères du four avec de l'eau tiède et du savon et les sécher soigneusement. Nettoyer l'intérieur du four avec un produit de nettoyage pour four en suivant les instructions.

### Grill

#### Après Chaque Utilisation

- Utiliser un grattoir standard de 64 à 76mm (2-1/2 à 3 po) ou une spatule pour gratter la surface du grill (pour retirer les particules d'aliments ou les résidus d'huile) vers la gouttière à graisse en poussant régulièrement d'arrière en avant. Déposer les débris dans la gouttière.
- Verser du shortening ou de l'huile sur la surface du grill, en allant de l'avant vers l'arrière. Nettoyer le grill avec une pierre un grattoir à grill. Toujours froter dans le sens du métal, mais de côté.
- Avec un chiffon propre, appliquer une fine couche d'huile à friture sur la surface du grill.
- Retirer le tiroir à graisse, le vider et le laver soigneusement avec un détergent doux et de l'eau. Recommencer.

#### Pour Une Accumulation Importante

NOTA : Après avoir utilisé des produits de nettoyage et des dégraissants, apprêter de nouveau le grill.

Faire chauffer le grill pour de meilleurs résultats.

- Utiliser un grattoir standard de 64 à 76mm (2-1/2 à 3 po) ou une spatule pour gratter la surface du grill (pour retirer les particules d'aliments ou les résidus d'huile) vers la gouttière à graisse en poussant régulièrement d'arrière en avant. Déposer les débris dans la gouttière.
- Appliquer une couche régulière de produit de nettoyage sur la surface du grill et laisser agir selon les instructions. Suivre les procédures de l'étiquette pour chaque produit de nettoyage.

#### À ne pas faire

- Ne pas utiliser de sel pour nettoyer la surface du grill. Le sel est corrosif et peut causer des piqûres sur le grill.
- Ne pas utiliser d'ustensiles métalliques (spatule, grattoir, etc) qui pourraient entailler et/ou creuser la surface du grill. Les bords de ces ustensiles sont coupants et vont créer des trous où l'huile peut s'accumuler et caraméliser, ce qui fera coller les aliments.
- Ne pas utiliser le grill comme plaque chauffante. Une poêle ou une marmite de grand diamètre entravera la chaleur ce qui causera un gauchissement des plaques du grill.
- Ne pas régler les cadrans de thermostat au maximum pour préchauffer plus vite. Le préchauffage à la température souhaitée prend 15 à 20 minutes.

#### À faire

#### Grills – À faire et ne pas faire

- Apprêter le grill. Cela empêche les aliments de coller et permet de maintenir plus facilement la surface propre.
- Maintenir la surface propre. En grattant la surface pendant toute l'utilisation pour éliminer les aliments et l'huile, on évite l'accumulation, on économise l'énergie et on empêche la plaque de surchauffer.
- Réduire la température pendant les périodes de ralenti. En réduisant la température ou en éteignant certaines sections pendant les périodes de ralenti, et permet de maintenir plus facilement la surface propre.
- Apprêter le grill. Cela empêche les aliments de coller et permet de maintenir plus facilement la surface propre.
- Maintenir la surface propre. En grattant la surface pendant toute l'utilisation pour éliminer les aliments et l'huile, on évite l'accumulation, on économise l'énergie et on empêche la plaque de surchauffer.
- Avec un chiffon propre, appliquer une fine couche d'huile à friture sur la surface du grill.
- Apprêter de nouveau le grill comme indiqué ci-dessus. Le grill est maintenant prêt à être utilisé.

## APPLICATION DES PRODUITS suite

### Fours À Convection «RC»

Le four de cuisinière à air pulsé améliore le rendement en faisant circuler l'air chaud à l'intérieur du four. Cela réduit le temps de montée en température et le temps de cuisson. Les éléments chauffants du four sont interverrouillés avec la porte. Quand le commutateur du ventilateur est en position de chauffage, les éléments chauffants fonctionnent uniquement si la porte est fermée. Quand le commutateur du ventilateur est en position de refroidissement, le ventilateur fonctionne uniquement si la porte est ouverte. Suggestions d'utilisations pour les fours à convection :

1. En général, régler la température du four 25 à 50° F (10 à 20° C) sous la température utilisée dans les fours standard.
2. Les temps de cuisson peuvent être plus courts de 2 à 3 %.
3. Surveiller de près tout produit préparé pour la première fois. La taille de la charge, la température du produit placé dans le four et son taux d'humidité sont les principaux facteurs qui influencent les temps et les températures de cuisson.

### Généralités

Graisser les charnières de porte et vérifier s'il y a des fixations desserrées. Les serrer si nécessaire .

### Nettoyage

AVERTISSEMENT : Cet appareil ne doit pas être nettoyé avec un jet d'eau.

### Acier Inoxydable

L'acier inoxydable devra être nettoyé avec un détergent doux, un chiffon et de l'eau chaude. S'il est nécessaire d'utiliser un tampon à recurer non métallique, frotter toujours dans le sens du grain afin d'éviter de rayer le métal. Laver une petite surface à la fois, rincer la surface lavée avec une éponge trempée dans un produit désinfectant et sécher avec un chiffon doux propre avant que la surface ait séché.

Établir un calendrier de nettoyage régulier. Les déversements devront être essuyés immédiatement. Laisser refroidir l'appareil avant de nettoyer les surfaces extérieures. Essuyer les surfaces exposées quand elles sont froides avec de l'eau chaude et un détergent doux. Les résidus rebelles peuvent être éliminés avec un tampon à recurer. Bien essuyer avec un chiffon propre.

### Surfaces Emailées

Utiliser uniquement des outils en acier inoxydable, en bois ou en plastique pour gratter si nécessaire les résidus tenaces de graisses ou d'huiles. Ne pas utiliser de grattoirs ni de couteaux en acier ordinaire, car des particules de fer risquent de s'incruster dans les surfaces et rouiller. NE JAMAIS UTILISER DE LAINE D'ACIER.

## ENTRETIEN ET NETTOYAGE

4. Noter les temps et températures testés pour les utiliser ultérieurement.
5. Préchauffer soigneusement le four (au moins 30 minutes) avant de l'utiliser.
6. Laisser l'air circuler autour du produit. Centrer les plats sur les grilles du four.
7. Ne jamais placer les plats directement sur le fond du four.
8. Ne pas utiliser de plaque profonde pour des gâteaux peu épais, des biscuits, etc. car la circulation de la chaleur entre ces aliments est essentielle pour un brunissage régulier.
9. Pour décongeler les produits congelés, préchauffer le four à 50° F (10° C) de plus que la température de cuisson afin de compenser la perte de chaleur pendant et après le chargement. Remettre le thermostat à la température de cuisson après le chargement.

Le dessus de la cuisinière est conçu pour la flexibilité et la préparation de nombreux types de produits.

## Grils

Les grills sont conçus pour cuire les aliments directement sur leur surface. Ne pas placer de pot ni de plats à la surface du grill. Cela risque de rayer ou d'entailer la surface et de causer des problèmes de cuisson ou d'adhérence des aliments. Ne jamais saler les aliments sur un grill car un résidu collant s'accumulera, rendant difficile le nettoyage du grill.

Éviter de heurter la surface du grill avec le bord d'une spatule car cela causera des entailles.

Les températures le plus souvent utilisées vont de 300°F (149°C) à 350°F (177°C). Après une cuisson, la plaque du grill va se décolorer. Cela est normal et n'affectera pas les résultats de cuisson.

## Plaques Chauffantes Pleines

Les plaques de cuisson sont recommandées pour la cuisson longue en marmite des soupes, sauces ou bouillons. Les marmites peuvent être placées n'importe où sur la plaque chauffante. Le diamètre maximal d'une marmite à utiliser sur la plaque chauffante est de 12 pouces (305 mm).

Un temps de préchauffage de 30 minutes est recommandé. Ce délai permettra de saturer la plaque de chaleur. Les marmites doivent avoir un fond plat pour un contact maximal avec la surface de la plaque de cuisson. Les plaques à rôtir avec des pattes ne doivent jamais être utilisées sur une plaque chauffante car seules les pattes toucheront la surface chauffée et le transfert de chaleur sera minimal.

La préparation de soupes, bouillons ou sauces se fait sur une plaque chauffante, où on obtient une cuisson lente et régulière. On peut plus efficacement chauffer de grandes quantités d'aliments que de petites quantités. Les pots et les plats doivent être couverts si possible afin de réduire la consommation d'énergie.

Les sauces très acides, comme la sauce tomate, devraient être cuites dans de l'acier inoxydable plutôt que dans de l'aluminium pour éviter toute réaction chimique. Les sauces de couleur claire peuvent être décolorées par l'utilisation d'aluminium, en particulier si on les tourne avec une cuillère en métal. L'eau salée peut causer des piqûres sur les récipients en aluminium s'ils sont utilisés fréquemment.

## Plaque Chauffante Scellée (Modèles SS/SU)

Les éléments chauffants scellés tout usage offrent l'avantage d'une plaque facile à nettoyer. Ils peuvent être utilisés pour faire bouillir, sauter, braiser et pour tout autre procédé de cuisson sur plaque.

Les pratiques d'utilisation sont très importantes pour l'utilisation efficace de ces éléments.

1. Le dessous des marmites doit être bien plat. Ceci augmente le transfert de la chaleur à la marmite. Ne pas utiliser de marmites avec des fonds convexes ou concaves de plus de 1/32 po (1 mm).

2. Utiliser, autant que possible, des marmites d'un diamètre similaire à celui de la plaque. Ceci réduit le temps de chauffage.

3. Ne pas préchauffer les éléments. Les éléments sont protégés par un dispositif de commande à maximum qui réduit automatiquement sa puissance d'alimentation. Ceci augmentera le temps de montée en température.

4. Utiliser un couvercle sur les marmites utilisées pour faire bouillir de l'eau.

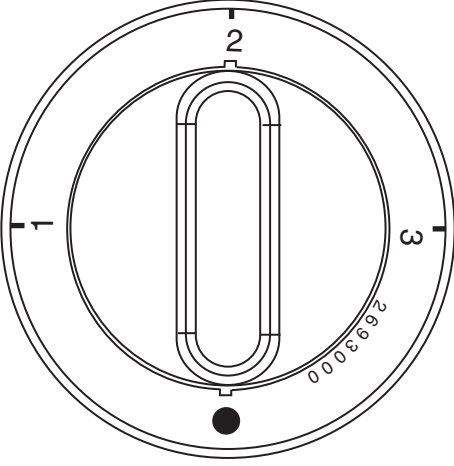
## Fours Standard

La température est commandée automatiquement par le thermostat, ce qui fait que l'on obtient des résultats satisfaisants à chaque cuisson. Pour obtenir les meilleurs résultats possibles, suivre les instructions ci-dessous :

Grilles : Il y a trois positions des grilles. La position correcte dépend de la taille du produit à cuire. Toujours pousser la grille dans le four jusqu'à ce qu'elle touche le fond du four.

Taille des plateaux : On peut placer un plateau à gâteaux sur chaque grille. Les plateaux ou les plats ne doivent pas dépasser de la grille dans aucun sens car cela empêchera la chaleur de circuler correctement.

Chargement : Attendre au moins 45 minutes après avoir allumé le four froid, avec le thermostat réglé à la température souhaitée, avant de charger le four. Placer les aliments rapidement et fermer la porte du four.



1. Placer le commutateur à 3 positions en position d'arrêt (●).
2. Tourner les commutateurs en position d'arrêt quand la salamandre n'est pas utilisée.

#### Arrêt de la salamandre

1. Placer le commutateur à 3 positions à la position choisie entre 1 (MIN), 2 et 3 (MAX).
2. Laisser la salamandre préchauffer avant d'ajouter le produit.

#### Utilisation De La Salamandre

- A. Étant donné que le ventilateur du moteur se trouve à l'intérieur du four, il est à la même température. Si le moteur est arrêté pendant que le four est chaud, la température du ventilateur est transmise à l'induit du moteur par l'intermédiaire de l'arbre. Cela pourrait réduire la durée de vie du moteur.
- B. Nous recommandons, à la fin de la période de cuisson ou de rôtissage ou avant de l'arrêter complètement, de laisser les portes ouvertes. Placer le commutateur du ventilateur en position «COOL DOWN». Le ventilateur devrait fonctionner pendant environ 20 minutes. Le bouton du ventilateur «FAN» ne doit jamais être mis sur «OFF» quand le four est CHAUD..
- C.

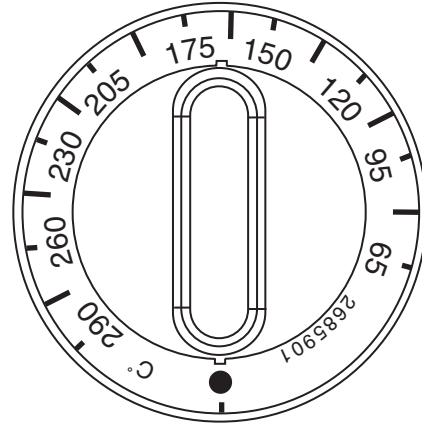
1. Régler le cadran du thermostat en position d'arrêt (●).
  2. Ouvrir la porte.
  3. Activer la fonction de refroidissement.
- Le moteur de ce four à convection de cuisine est sans entretien étant donné qu'il est fabriqué avec des roulements à billes autolubrifiants. Il est conçu pour assurer un fonctionnement durable s'il est traité normalement. Voici quelques suggestions à suivre pour l'entretien du moteur.
- A. Pendant que le moteur fonctionne, il est refroidi intérieurement par l'air entrant à l'arrière du boîtier du moteur, à condition qu'un dégagement suffisant ait été prévu.

#### Arrêt :

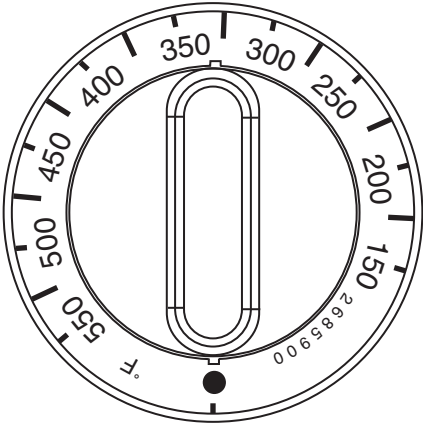
1. Placer le commutateur cook/cook en position «Heat».
2. Régler le thermostat sur la température souhaitée.
3. Préchauffer soigneusement le four (au moins 30 minutes) avant de l'utiliser.

#### Démarrage Du Four :

#### Utilisation Des Fours À Convection



#### Commandes Du Four En Degrés Celsius



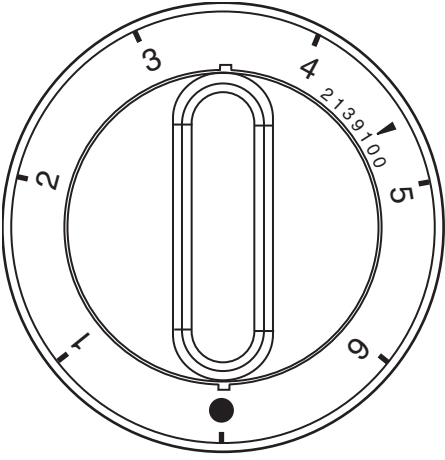
Commandes Du Four En Degrés Fahrenheit

1. Régler le cadran en position d'arrêt (●).

**Arrêt du four :**

- 1 Régler le cadran à la température souhaitée, préchauffer le four pendant au moins 45 minutes après l'avoir allumé alors qu'il était froid.

**Utilisation Des Fours Standard**



Commandes D'utilisation Des Plaques Chauffantes Scellées

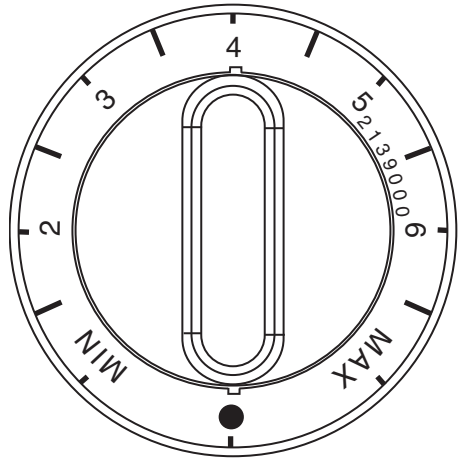
1. Régler le cadran de commande en position d'arrêt (●).

**Arrêt Des Plaques Chauffantes Scellées**

PUISSANCES ET APPLICATIONS DES PLAQUES CHAUFFANTES SCÉLÉES			
Application	Réglage Du Bouton	9 Po (229mm)	200 W
		7-1/2 Po (191mm)	2600 W
		6	2000 W
		5	1400 W
		4	1300 W
		3	450 W
Friture, Braisage	6	2600 W	240 W
		2000 W	200 W
Cuisson au grill, Friture, Braisage	6	2600 W	240 W
		1750 W	305 W
		1300 W	305 W
Fermenter	6	1750 W	340 W
		1300 W	340 W
Chauffage	6	2600 W	240 W

- 1 Avant la première utilisation des plaques chauffantes, les faire chauffer pendant 5 minutes sur le réglage 3. Cette opération fera durcir et brûler le revêtement de protection.
- 2 Placer le commutateur à 6 positions à la position choisie entre 1 et 6.
- 3 Ne pas préchauffer.

**Utilisation De La Plaque Chauffante Scellée Modèles (SS/SU)**



Commandes D'utilisation De Plaque Chauffante Pleine/Ouverte (Tubulaire)

## UTILISATION INITIALE

### Préparation D'un Gril Neuf

1. Eliminer le revêtement de protection de la surface avec un détergent doux.
2. Bien rincer le gril avec une solution d'eau et de vinaigre (3/4 de tasse de vinaigre pour un litre d'eau) et sécher.
3. Avec un chiffon propre, appliquer une fine couche d'huile à friture sur la surface du gril. On devra utiliser du shorthing non salé ou une huile de cuisson haute température.

### Apprêtage Du Gril

1. Régler le cadran du thermostat à 55°C (130°F) et chauffer la surface du gril jusqu'à ce que l'huile commence à caraméliser (couleur brun doré). Quand cela se produit, tourner le cadran du thermostat à « OFF » (●).
3. Gratter l'huile caramélisée avec une spatule standard.
4. Répéter l'étape 1 et régler le cadran du thermostat à 135°C (275°F).
5. Répéter les étapes 2 et 3. Le gril est maintenant prêt à être utilisé.

### Apprêtage Du Gril

Le gril doit être apprêté avec sa première utilisation.

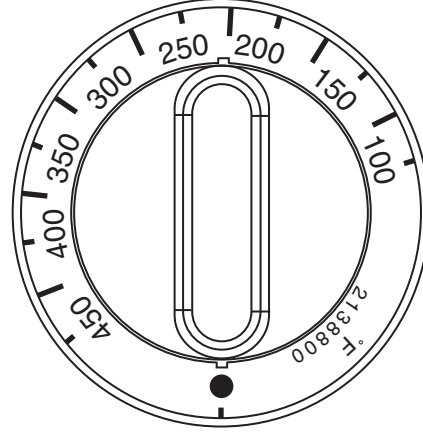
REMARQUE : Vérifier que l'interrupteur électrique de l'appareil est sur «ON».

1. Régler le thermostat sur la température souhaitée.

#### Arrêt du gril :

1. Régler le thermostat en position d'arrêt (●).

#### Commande D'utilisation Du Gril En Degrés Fahrenheit



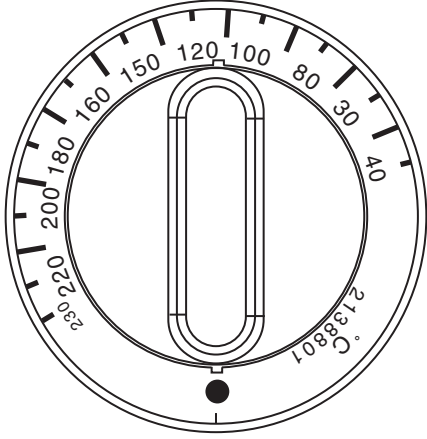
### Utilisation De La Plaque Chauffante Pleine

1. Placer le cadran de commande à la position choisie entre MIN - 2, 3, 4, 5, 6 et MAX.

2. Un temps de préchauffage de 30 minutes est recommandé.

#### Arrêt De La Plaque Chauffante Pleine

1. Régler le cadran de commande en position d'arrêt (●).



#### Commande d'utilisation du gril en degrés Celsius

## INSTRUCTIONS D'UTILISATION

## Installation D'une Salamandre Montée Sur Cuisinière

1. L'arrière de la cuisinière doit être facilement accessible.
2. Mettre en place la salamandre sur la cuisinière. Glisser les montants dans les ouvertures à l'arrière du four. Fixer les montants de la salamandre à la cuisinière avec les boulons à tête à six pans fournis.
3. Retirer le couvercle d'accès au bornier.
4. Faire passer les fils dans le trou d'entrée du câble.
5. Fixer le connecteur de câble.
6. Brancher les fils de la salamandre au bornier fourni (Rouge à L1, noir à L2 ou N, Vert à GRN ou E).

**REMARQUE :** Lors du montage d'une salamandre sur une cuisinière existante sur site, il faut établir une connexion avec fusible supplémentaire à travers la plaque défonçable prévue à l'arrière de la salamandre.

## Montage Du Dossieret/De L'étagère Haute

Le dossieret ou l'étagère haute ont été expédiés séparément. Pour l'installation, placer le dossieret/l'étagère haute à l'arrière de la cuisinière, en faisant glisser les montants dans les ouvertures de chaque côté du logement des brûleurs. Fixer le montant au côté du logement des brûleurs avec quatre fixations à tête à six pans fournies.

## Exigences Des Codes

La série Garland S/SS680 est conforme aux normes CSA C22.2 n° 109 – dernière édition et UL 197 – dernière édition. L'installation et le branchement de cet appareil doivent être conformes aux codes en vigueur. Au Canada - le Code électrique canadien, partie 1 et aux E—U. – le National Electrical Code.

Les appareils Garland série SU 680 sont conformes aux exigences essentielles des directives 73/23/EEC, 89/336EEC, 89/392/EEC 93/68/EEC et des normes EN60335, IEC801.2, IEC801.3, IEC801.4, IEC801.5, IEC801.6 et IEC801.11.

## Alimentation Electrique

Avant d'essayer de brancher l'appareil, vérifier la plaque signalétique pour s'assurer que les caractéristiques électriques de l'appareil correspondent à celles de l'alimentation électrique. Sur les cuisinières et les salamandres, l'entrée d'alimentation est située à l'arrière ou encore sur le fond principal de l'appareil. Le bornier d'alimentation est accessible depuis l'avant. L'alimentation électrique doit correspondre aux indications de la plaque signalétique pour la tension, les phases et l'intensité.

**Remarque :** Un moyen de coupure de l'alimentation avec une séparation des contacts d'au moins 3 mm (0,12 po) doit être intégré au câblage fixe.

Cet équipement est prévu pour une installation avec un câblage fixe permanent.

**AVERTISSEMENT :** Cet appareil doit être relié à la terre.

## Connexion Mono Et Triphasée

Sauf indication contraire, tous les appareils sont livrés de l'usine pour une connexion triphasée. Les salamandres sont livrées de l'usine pour une connexion monophasée. Un schéma de câblage est fixé à l'arrière de chaque appareil. Vérifier visuellement toutes les connexions électriques. La cuisinière est câblée en usine comme spécifié sur la commande. S'il est nécessaire de modifier le phasage, se reporter au schéma de câblage.

## Mise En Service

- Vérifier que tous les disjoncteurs situés dans le compartiment inférieur sont réglés en position ON (1).
1. S'assurer que toutes les commandes sont en position d'arrêt et mettre l'appareil sous tension.
  2. Activer chaque section de la cuisinière ou de la salamandre conformément aux instructions.
  3. Vérifier que l'appareil fonctionne correctement et que l'alimentation électrique de chaque appareil ne chute pas de plus de 5 % quand toutes les sections sont activées simultanément.

Cet équipement doit être installé par un réparateur ou un installateur compétent, formé en usine, certifié, licencié et/ou autorisé. Les travaux d'électricité doivent être effectués par une personne qualifiée, tel que requis par les autorités locales.

**AVERTISSEMENT :** Cet appareil doit être relié à la terre.

**ATTENTION :** Avant l'installation, vérifier l'alimentation électrique pour s'assurer que la tension d'entrée et les phases correspondent aux caractéristiques de tension et de phase de l'équipement indiquées sur la plaque signalétique.

## Dégagements

L'espace dans lequel l'appareil doit être installé doit comprendre les dégagements minimum par rapport aux surfaces combustibles, comme indiqué dans le tableau suivant.

DÉGAGEMENTS MINIMUM D'INSTALLATION			
Dégagement Par Rapport Aux Matériaux Combustibles			
Emplacement	Modèles		
	Cuisinières Avec Plaque De Cuisson Salamandre	Cuisinières	Cuisinières
Haut	*	*	*
Côtés	3 Po (76mm)	10 Po (254mm)	7 Po (178mm)
Arrière	2 Po (51mm)	2 Po (51mm)	2 Po (51mm)

\* REMARQUE : Garland recommande que l'équipement soit installé sous une hotte de ventilation.

EMPLACEMENT	
Modèles	Type De Plancher Ou Base
Cuisinières	Combustible
Cuisinières Avec Plaque De Cuisson	Combustible
Salamandre	Incombustible

**IMPORTANT :** Pour les cuisinières avec four à convection (modèles avec suffixe «RC»), une circulation d'air doit être prévue pour un fonctionnement correct des moteurs des ventilateurs. Prévoir un dégagement arrière de 1 po (25 mm) pour la ventilation du moteur.

## Positionnement

Un dégagement suffisant doit être prévu pour l'entretien, la ventilation et l'utilisation. L'appareil doit être tenu à l'écart des matériaux combustibles.

La cuisinière doit être installée sur un sol solide, lisse et de niveau, conçu pour résister au poids de l'appareil complètement chargé.

Placer la cuisinière ou la salamandre à l'emplacement souhaité et la mettre de niveau entre les côtés et entre l'arrière et l'avant. Cette mise de niveau doit être effectuée avec l'unité sous la hotte et dans sa position de fonctionnement normale. Si la cuisinière doit être montée sur une estrade, la base sur laquelle elle doit être placée doit être de niveau. Si ce n'est pas le cas, la cuisinière doit être mise de niveau avec des cales.

## Pieds

Sauf indication contraire, toutes les cuisinières sont expédiées d'usine avec des pieds installés. Quand la cuisinière doit être montée sur une estrade, elle est expédiée sans les pieds. Les pieds doivent ajustés à une hauteur minimale de 6 pi (152 mm) pour respecter les normes NSF.

## Roulettes

1. Les roulettes avant de l'appareil seront équipées de freins pour limiter le déplacement de frittuse sans exercer aucun effort sur les connexions électriques pour limiter les mouvements de l'unité.

2. Le dispositif de retenue peut être fixé à l'appareil près de l'entrée du gaz. Si le dispositif est débranché, ne pas oublier de le rebrancher après avoir remis le four dans sa position d'installation d'origine.

## Air De Ventilation

Tendrait où l'appareil est installé doit être convenablement ventilé afin de permettre l'admission d'air pour la combustion, l'évacuation des produits de combustion, etc. Ces produits doivent être installés sous une hotte de ventilation.

Un bon fonctionnement des ventilateurs d'extraction (vitresse, rotation et réglage corrects) est essentiel. La hotte et les filtres doivent être nettoyés régulièrement et maintenus propres.

# INTRODUCTION

Cet appareil doit être nettoyé et entretenu régulièrement. Il est recommandé de faire effectuer des inspections périodiques par le concessionnaire ou une agence de services qualifiée.

**REMARQUE :** Beaucoup de pièces de l'équipement sont en acier brut (dessus de grill et plaque chauffante plaine) et peuvent réagir avec l'humidité et rouiller. Cela est normal et n'est pas considéré comme un défaut. On peut appliquer une légère couche d'huile non salée pour éviter la formation de rouille.

## Déballage

1. Vérifier si la caisse/le carton a été endommagé pendant le transport. Sortir avec précaution l'appareil du carton ou de la caisse et vérifier encore la présence de dommages. Tout dommage doit être immédiatement signalé au transporteur.

2. Tout le matériel d'emballage doit être retiré de l'appareil. Les matériaux de protection des surfaces en acier inoxydable doivent être retirés aussitôt après l'installation de l'appareil.

3. Toutes les cuisinières sont expédiées d'usine avec des pieds ou roulettes installés, sauf indication contraire dans la commande.

4. Le dossier et l'étiquette haute sont emballés et commandés séparément.

5. Ne pas retirer les étiquettes, avertissements ou plaques signalétiques fixée de façon permanente car cela peut annuler les agréments et créer un danger.

## Plaque Signalétique

La plaque signalétique est facilement accessible et est située derrière le panneau inférieur sur les cuisinières et derrière le bac récepteur sur les salamandres. Elle contient toutes les informations nécessaires requises par l'installateur.

En cas de questions concernant l'installation, l'utilisation, l'entretien ou la réparation de ce produit ou de tout autre produit Garland, écrire ou communiquer avec le département de service des produits. Pour correspondre avec l'usine ou le centre de service agréé local concernant des problèmes de réparation ou des pièces de rechange, bien faire référence à l'appareil avec le numéro de modèle correct (comprenant les lettres et chiffres du préfixe et du suffixe) et le numéro de série de garantie. La plaque signalétique fixée à l'appareil contient ces renseignements.

## Sécurité

Le présent manuel concerne les cuisinières et les salamandres. Le lecteur/opérateur doit interpréter son contenu en fonction de ses besoins. En cas de problèmes d'interprétation de documents sur les cuisinières et les salamandres de Garland, contactez votre agence de service agréée ou notre service à clientèle au numéro de téléphone figurant sur la couverture du présent manuel ou sur notre site Web : <http://www.garland-group.com>.

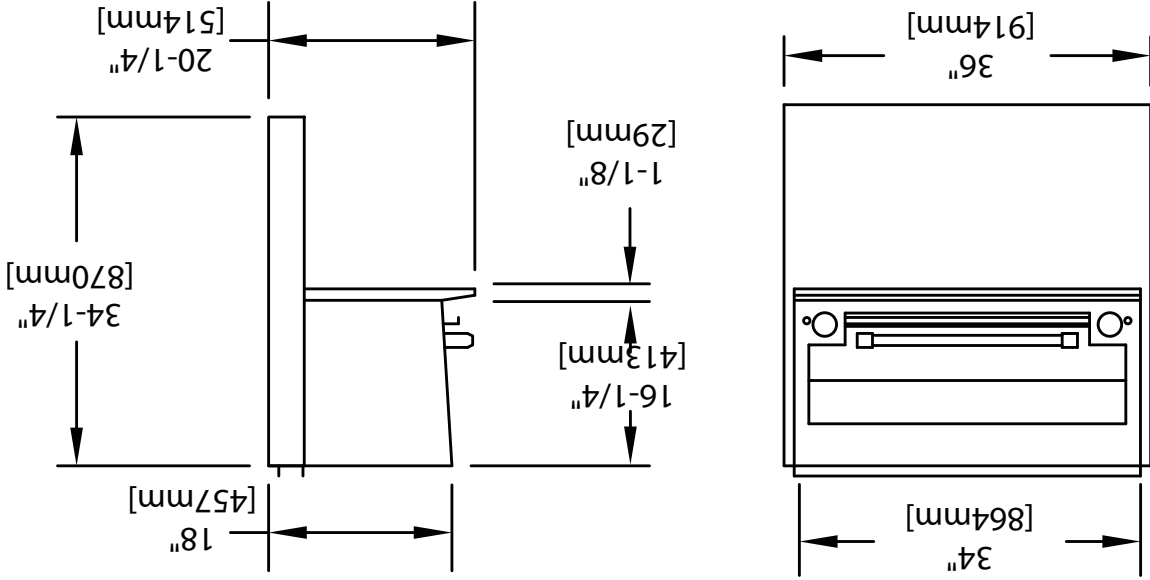
L'installation de ces produits doit être faite par une personne qualifiée conformément aux codes locaux du pays de destination.

Toujours suivre les précautions de sécurité suivantes pour utiliser les cuisinières et les salamandres.

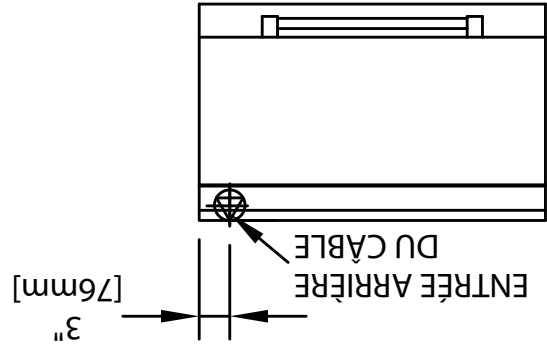
1. Ces unités ne doivent être utilisées que par une personne qualifiée. NE PAS utiliser sans avoir lu le présent manuel.
2. NE PAS utiliser l'appareil s'il n'a pas été correctement installé et relié à la terre.
3. NE PAS utiliser l'appareil si les panneaux d'entretien et d'accès ne sont pas en place et fixés correctement.
4. NE PAS essayer de réparer ou de remplacer n'importe quelle partie de ces appareils avant d'avoir débranché toutes les alimentations électriques.

**AVERTISSEMENT :** Pour éviter les blessures, faire très attention, lors de l'installation, de l'utilisation et du nettoyage de cet appareil, à éviter tout contact avec les surfaces chaudes. Porter des vêtements de protection convenables ou utiliser des ustensiles appropriés pour éviter les risques de brûlures.

**REMARQUE :** D'autres précautions de sécurité figurent dans ce manuel, lorsque cela est nécessaire pour des opérations spécifiques.



Poids		Modèle
Lbs/Kg	Pi³	
209/95	35	S/SUER-684
176/80	25	S/SUER-686
210/95	11	S/SUERC



La charge totale est de 7,0 kW

Puissances nominales

l'usine.

REMARQUE 3 évaluations de phase s'appliquent à SERC et à SER-680 commandés séparément. Quand la cuisinière et un la salamandre sont commandés ensemble il est standard pour que la salamandre soit précablée à l'usine pour relier ensemble avec la cuisinière (monophasé). Pour de plus amples informations sur les estimations et le raccordement les options consultez

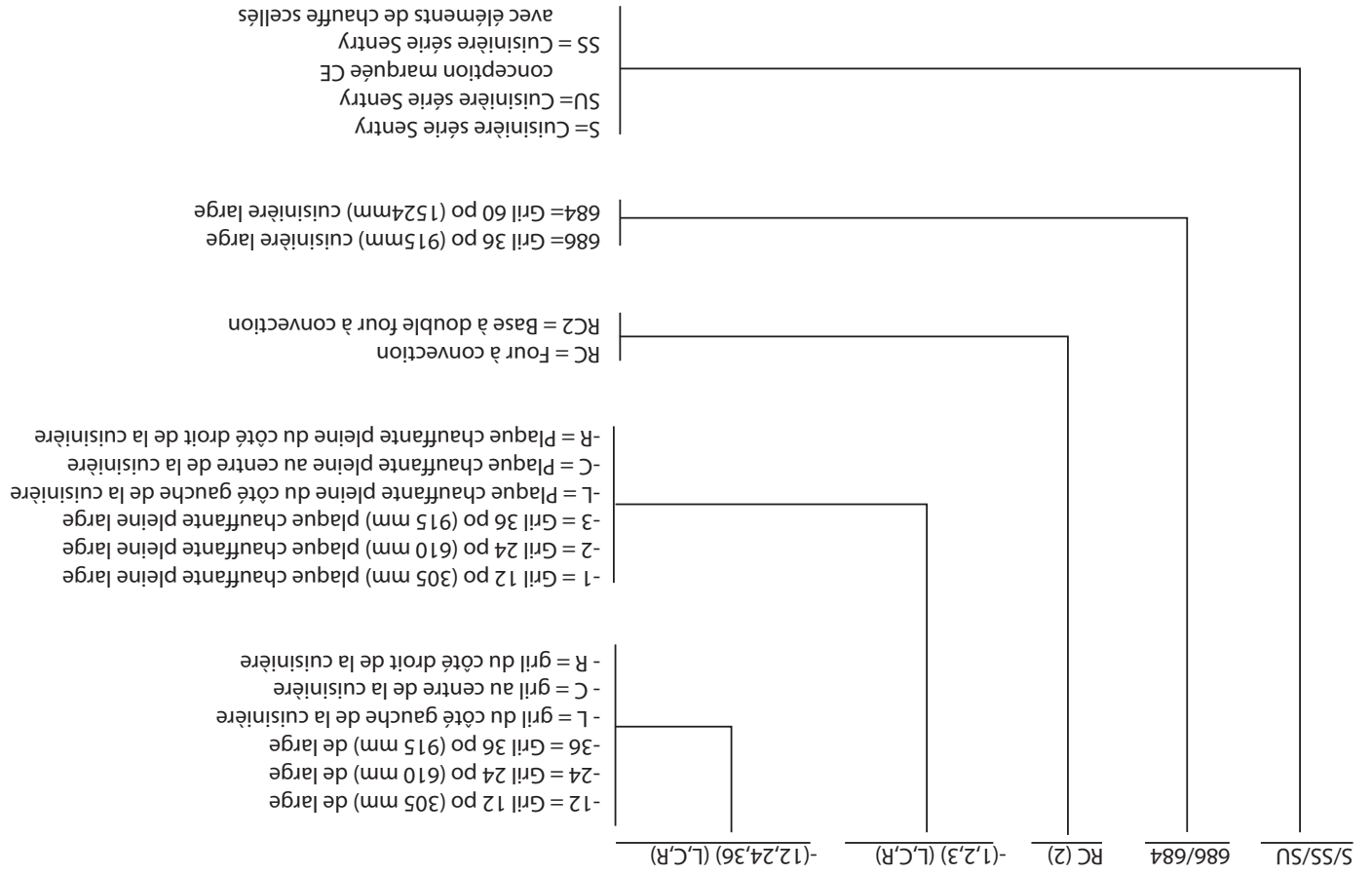
l'arrière.

Les dégagements minimum par rapport aux surfaces combustibles doivent être de 7 po (178 mm) sur les côtés et 2 po (51 mm) à

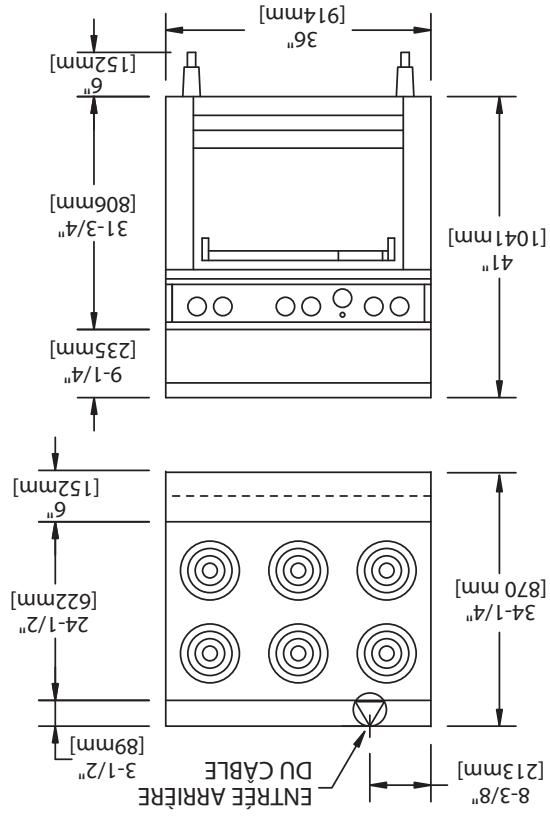
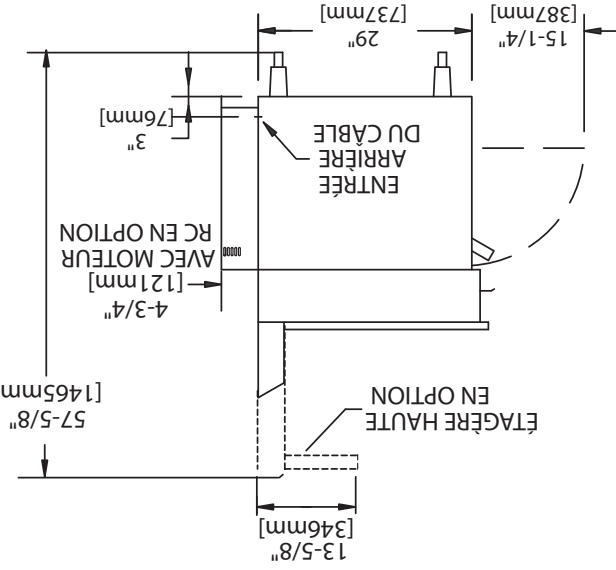
Notes D'installation :

Modèle	Puissance Totale Kw	INTENSITÉ TOTALE				
		208V/1Ph	208V/3 Ph	240V/1Ph	240V/3 Ph	400 V/3N
SERC, SER-680	7	34	29	29	25	15
câblage indépendant						15

# DIMENSIONS ET SPÉCIFICATIONS, MODÈLES SERC ET SER-680



**DIMENSIONS ET SPÉCIFICATIONS, MODÈLES DE CUISINIÈRE**



REMARQUE : Pour les cuisinières avec four(s) à convection (modèles avec suffixe «RC»), une circulation d'air doit être prévue pour un fonctionnement correct des moteurs des ventilateurs. Ces modèles ne doivent pas être montés sur une estrade ou installés sans pieds.

**Puissances :**  
 Éléments Tubulaires : 6-1/2 po(165mm): 1250 Watts  
 8-1/2 po(216mm): 2100 Watts  
 Éléments Scellés: Petit 7-1/2 po(191 mm) - 2000 Watts  
 9 po(229mm): 2600 Watts  
**Plaque de cuisson** (par section de 12 po/305 mm) - Sections avant et arrière, chacune 1 675 Watts, (total 3 350 Watts)  
**Gril** (par section de 12 po/305 mm) - 3 350 Watts  
**Four Standard 4 85 kW**  
**Four à convection 5,0 kW** (plus moteur de ventilateur 0,5kW, soit un total de 5,5 kW)  
 REMARQUE : Pour les cuisinières avec four(s) à convection (modèles avec suffixe «RC»), une circulation d'air doit être prévue pour un fonctionnement correct des moteurs des ventilateurs. Ces modèles ne doivent pas être montés sur une estrade ou installés sans pieds.

REMARQUE : Il existe de nombreux codes locaux, et il est de la responsabilité du propriétaire et de l'installateur de respecter ces codes..

Dégagements D'entrée		
En Caisse	Déballé	Modèle «RC» Déballé
45 Po (1143mm)	35 Po (889mm)	40 Po (1016mm)

† Avec le rail avant Remarque: Livraison Cubic Feet est de 58,5.

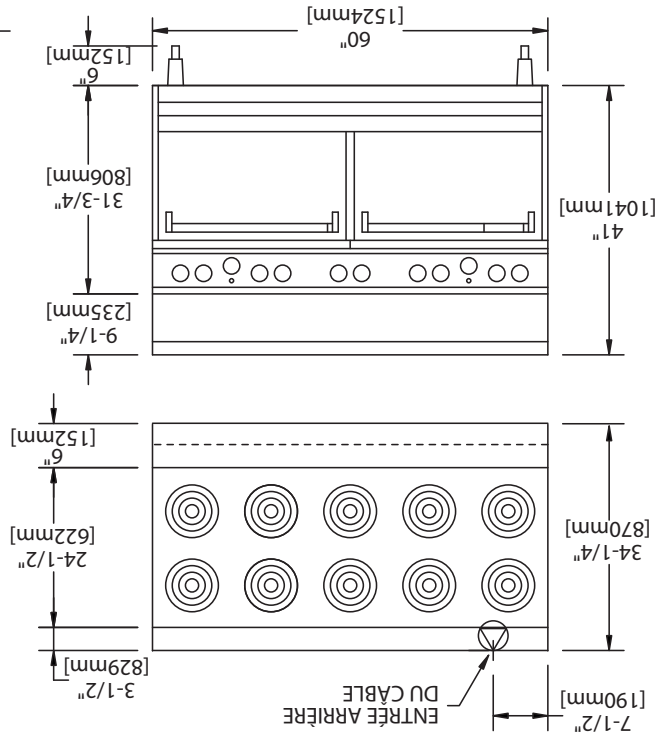
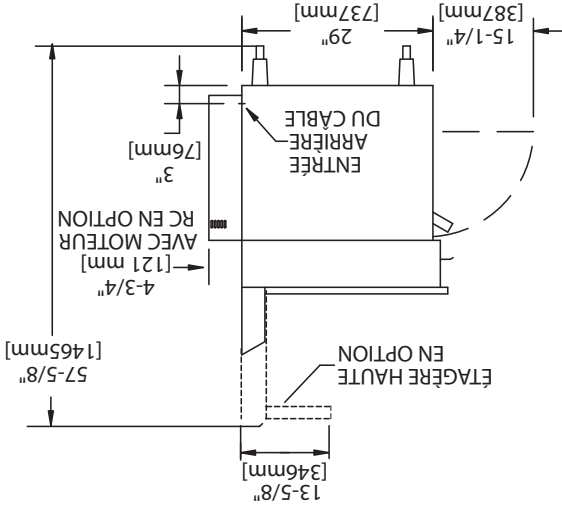
Dimensions Extérieures			Dimensions Intérieures Du Four		
Hauteur	Largeur	Profondeur †	Hauteur	Largeur	Profondeur †
47 Po (1194mm)	36 Po (914mm)	34-1/4 Po (870mm)	13-1/2 Po (343mm)	26-1/4 Po (667mm)	22 Po (559mm)

\*Éléments tubulaires tout usage \*\*Éléments supérieurs scellés, modèle nord-américain n°S5686 \*\*\*Ajouter en cas de câblage à la base de cuisinière (SER/SUER-680)

Modèle	Puissance Totale kW	Amperage Nominal		
		208V/1Ph	240V/1Ph	240V/3 Ph
S686*	15	72	48	62
S686RC	16	75	51	64
SS/SU686**	19	90	59	78
SS/SU686RC	20	93	62	80
Rôtissoire Salamandre***	7	34	19	29
				16
				4

Dégagements Installation :	Côté	Arrière	Sections De Plaque De Cuisson	
			Cuisinière Avec Salamandre	Cuisinière Sans Salamandre
			2 Po (51mm)	2 Po (51mm)
			7 Po (178mm)	3 Po (76mm)
			2 Po (51mm)	2 Po (51mm)
			10 Po (254mm)	2 Po (51mm)

# DIMENSIONS ET SPÉCIFICATIONS, MODÈLES S,SU ET S5686



**REMARQUE :** Pour les cuisinières avec four(s) à convection (modèles avec suffixe «RC» ou «RC2»), une circulation d'air doit être prévue pour un fonctionnement correct des moteurs des ventilateurs. Ces modèles ne doivent pas être montés sur une estrade ou installés sans pieds.

Dégagements	Côté	Arrière
<b>Cuisinière Sans Salamandre</b>	3 Po (76mm)	2 Po (51mm)
<b>Cuisinière Avec Salamandre</b>	7 Po (178mm)	2 Po (51mm)
<b>Sections De Cuisson</b>	10 Po (254mm)	—

la responsabilité du propriétaire et de l'installateur de respecter ces codes.

**REMARQUE :** Il existe de nombreux codes locaux, et il est de

soit un total de 5,5 kW)

Four à convection - 5,0 kW (plus moteur de ventilateur 0,5kW,

Four standard - 4,85 kW

Gril (par section de 12 po/305 mm) - 3 350 Watts

Plaque de cuisson (par section de 12 po/305 mm) - Sections avant et arrière, chacune 1 675 Watts, (total 3 350 Watts)

Éléments hautes performances scellés - Petit 7-1/2 po (191 mm) - 2 000 Watts. Grand 9 po (229 mm) - 2 600 Watts.

Éléments tubulaires - Petit 6-1/2 po (165 mm) - 1 250 Watts. Grand 8-1/2 po (216 mm) - 2 100 Watts.

**Puissances :**

† Avec le rail avant Remarque: Livraison Cubic Feet est de 84,5.

Dimensions Extérieures			Dimensions Intérieures Du Four		
Hauteur	Largeur	Profondeur †	Hauteur	Largeur	Profondeur †
47 Po (1194mm)	60 Po (1524mm)	34-1/4 Po (870mm)	13-1/2 Po (343mm)	26-1/4 Po (667mm)	22 Po (559mm)

\*\*\*\*Remarque: Pour 208V/1 phase la salamandre peut pas être câblés dans la gamme.

\*\*\* Maximum sur n'importe quelle cuisinière série 684. \*\*\*\*Ajouter en cas de câblage à la base de cuisinière (SER/SUER-680)

\*Éléments tubulaires \*\*Éléments supérieurs scellés, modèle nord-américain n° S5684

Modèle	Puissance Totale kW	Ampérage Nominal				
		208V/1Ph	208V/3 Ph	240V/1Ph	240V/3 Ph	400 V/3N 415V/3N
S684*	27	127	76	110	66	—
SS/SU684**	33	157	97	136	84	60
SS/SU684RC2***	34	164	100	142	87	60
Rôtissoire Salamandre****	7	N/A****	23	29	20	4

# DIMENSIONS ET SPÉCIFICATIONS, MODÈLES S, SU ET SS684

# TABLE DES MATIÈRES

2	IMPORTANT INFORMATION.....
2	DIMENSIONS AND SPECIFICATIONS, MODELS S,SU & SS684 .....
4	DIMENSIONS AND SPECIFICATIONS, MODELS S,SU & SS686 .....
5	DIMENSIONS AND SPECIFICATIONS, RANGE MODELS .....
6	DIMENSIONS AND SPECIFICATIONS, DIMENSIONS AND SPECIFICATIONS, MODELS SERC, SER-680 .....
7	INTRODUCTION.....
8	Uncruting.....
8	Rating Plate.....
8	Safety Precautions .....
9	INSTALLATION .....
9	Clearances.....
9	Positioning .....
9	Legs.....
9	Casters .....
9	Ventilation Air .....
9	Installation Of Range Mount Salamander.....
10	Assembly of Backguard/High Shelf .....
10	Code Requirements.....
10	Electrical Supply .....
10	Single And Three Phase Connection .....
10	Commissioning .....
11	INITIAL OPERATION .....
11	Preparing a New Griddle .....
11	Seasoning of the Griddle .....
11	OPERATING INFORMATION.....
11	Operation of the Griddle:.....
11	Operating The Solid Hot Top .....
11	Operating The Sealed Hotplate .....
12	(S/SU) Models.....
12	Operation Of Standard Ovens .....
13	Operation of the Convection Ovens.....
13	Operation of the Salamander.....
14	PRODUCT APPLICATION.....
14	Griddles .....
14	Solid Hot Tops .....
14	Sealed Hotplate (S/SU Models).....
14	Standard Ovens.....
14	RC Convection Ovens .....
15	MAINTENANCE AND CLEANING.....
15	General .....
15	Cleaning.....
15	Stainless Steel.....
15	Enameled Surfaces .....
15	Salamander .....
15	Ovens .....
16	Griddles .....
16	After Each Use .....
16	For Heavy Build Up.....
16	Griddle Do's & Don'ts.....
16	Thermostat Calibration.....
16	Oven .....
17	Griddle .....
18	SAFETY.....



## INFORMATIONS IMPORTANTES

**AVERTISSEMENT:**  
Ce produit contient des produits chimiques reconnus par l'état de Californie comme causant le cancer et/ou des malformations congénitales ou d'autres problèmes de reproduction. L'installation et l'entretien de ce produit peut vous exposer aux poussières de laine de verre/fibres céramiques. L'inhalation de ces particules de laine de verre ou de fibres céramiques est reconnue par l'état de Californie comme causant le cancer.

GARLAND COMMERCIAL RANGES, LTD.  
 1177 Kamato Road, Mississauga, Ontario L4W 1X4  
 CANADA  
 Téléphone : 905-624-0260  
 Télécopieur : 905-624-5669

Nous attirons l'attention des utilisateurs sur le fait que l'entretien et les réparations doivent être exécutés uniquement par une entreprise agréée Garland utilisant des pièces de rechange d'origine Garland. Garland décline toute responsabilité pour les produits incorrectement installés, réglés, utilisés ou entretenus sans respecter les codes nationaux et locaux, ni les instructions d'installation fournies avec le produit ou pour tout produit dont le numéro de série a été modifié, abîmé, effacé ou supprimé ou pour tout produit modifié ou réparé par des agents de service autorisés. Pour obtenir une liste des agences de service agréées, contacter le site web de Garland à l'adresse www.garland-group.com. Les informations contenues dans le présent manuel (y compris les spécifications de conception et des pièces) peuvent être modifiées à tout moment et sans préavis.

LIRE TOUTES LES SECTIONS DU PRÉSENT MANUEL ET LE CONSERVER POUR S'Y REPORTER ULTÉRIEUREMENT.

CE PRODUIT A ÉTÉ HOMOLOGUÉ EN TANT QU'ÉQUIPEMENT PROFESSIONNEL DE CUISSON ET DOIT ÊTRE INSTALLÉ PAR DU PERSONNEL PROFESSIONNEL TEL QUE SPÉCIFIÉ.

L'INSTALLATION ET LES CONNEXIONS ÉLECTRIQUES DEVONT ÊTRE CONFORMES AUX CODES EN VIGUEUR : AU CANADA – LE CODE CANADIEN DE L'ÉLECTRICITÉ, PARTIE 1 ET/OU LES CODES LOCAUX. AUX É.-U. – LE NATIONAL ELECTRICAL CODE ANSI / NFPA – ÉDITION EN VIGUEUR.

VÉRIFIER QUE L'ALIMENTATION ÉLECTRIQUE EST CONFORME AUX CARACTÉRISTIQUES ÉLECTRIQUES FIGURANT SUR LA PLAQUE SIGNALÉTIQUE.

<p><b>POUR VOTRE SÉCURITÉ :</b>                  NE PAS STOCKER NI UTILISER D'ESSENCE OU D'AUTRES VAPEURS OU LIQUIDES INFLAMMABLES À PROXIMITÉ DE CET APPAREIL OU DE TOUT AUTRE APPAREIL.</p>	<p><b>AVERTISSEMENT :</b>                  UNE INSTALLATION, DES RÉGLAGES, DES MODIFICATIONS, DES RÉPARATIONS OU UN ENTRETIEN MAL FAITS PEUVENT CAUSER DES DOMMAGES MATÉRIELS, DES BLESSURES OU LA MORT. LIRE SOIGNEUSEMENT LES INSTRUCTIONS D'INSTALLATION, D'UTILISATION ET D'ENTRETIEN AVANT D'INSTALLER OU DE RÉPARER L'ÉQUIPEMENT.</p>
---	---



**MANUEL D'INSTALLATION  
 ET D'UTILISATION  
 GARLAND SÉRIES S680,  
 S5680 ET S680 CUISINIÈRES  
 ET SALAMANDRES POUR  
 RESTAURANT**

