



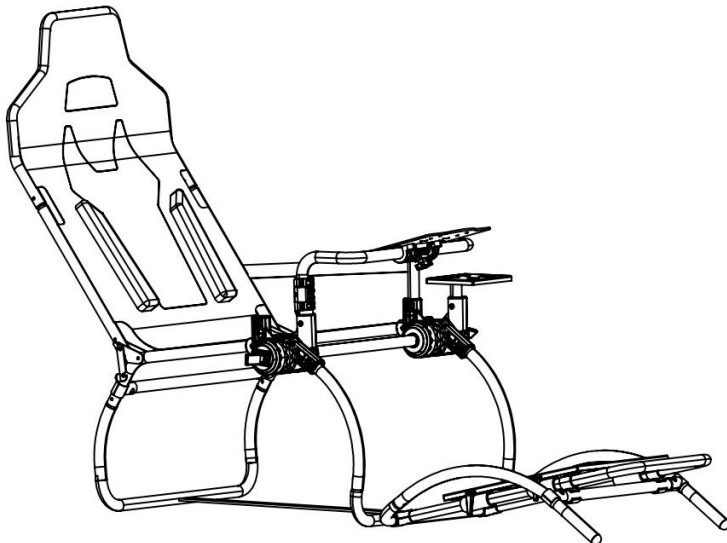
Technical Support and E-Warranty Certificate www.vevor.com/support

STEERING WHEEL STAND

MODEL: FC-P03

We continue to be committed to provide you tools with competitive price. "Save Half", "Half Price" or any other similar expressions used by us only represents an estimate of savings you might benefit from buying certain tools with us compared to the major top brands and does not necessarily mean to cover all categories of tools offered by us. You are kindly reminded to verify carefully when you are placing an order with us if you are actually saving half in comparison with the top major brands.

MODEL: FC-P03



NEED HELP? CONTACT US!

Have product questions? Need technical support? Please feel free to contact us:

Technical Support and E-Warranty Certificate
www.vevor.com/support

This is the original instruction, please read all manual instructions carefully before operating. VEVOR reserves a clear interpretation of our user manual. The appearance of the product shall be subject to the product you received. Please forgive us that we won't inform you again if there are any technology or software updates on our product.



Warning-To reduce the risk of injury, user must read instructions manual carefully.

Attention

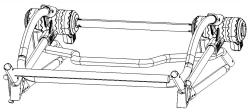



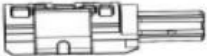

- Please install and use the stand according to instructions.
- Please install moderately and avoid strong vibration.


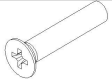
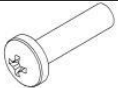
Don't keep in humid conditions, high temperatures, or a dusty location.

• The product structure is flexible; wear work gloves during assembly. Please take care of the hurting hand when installing it.

- Children should be under adult supervision when using the product.

Save the manual.

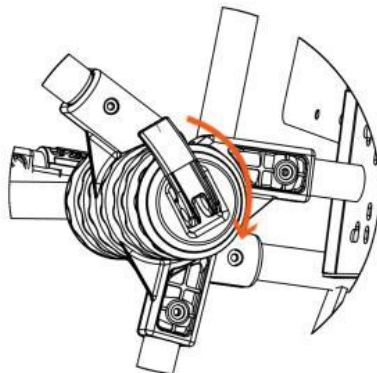
Part List			
Code	Picture	Name	QTY.
1		Rack	1
2		Supporting Leg	1
3		Pedal Support Leg	1
4		Pedal Support	1
5		Fastener	1
6		Shifter Plate	1

7		Steering Wheel Bracket	1
8		Hold-down Block	2
9		Fixed Block	2
10		Nylon Tape	1
11		Screw M5*25	2
12		Screw M5*30	4
13		Screw M5*40	3
14		Nut M5	9
15		Washer 5	7
16		Screw M6* 16	12
17		Hex key 4	1
18		Wench	1
19		Phillips Screwdriver	1
20		Binding Strap	6

Note: 12pcs screws M6*16 are complimentary.

NOTE:

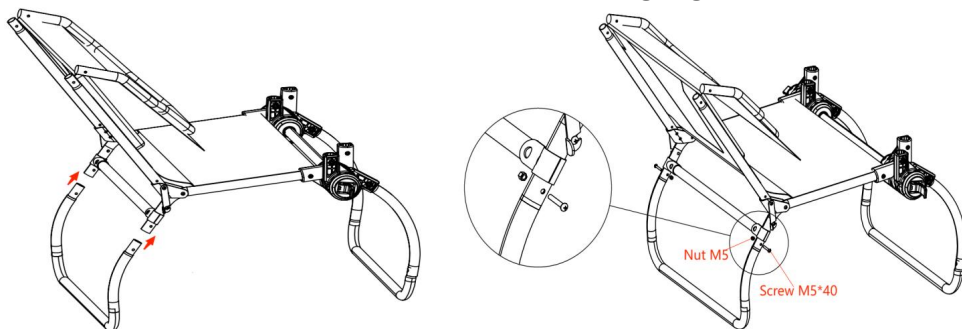
Loosen the rotating fastener as shown below:



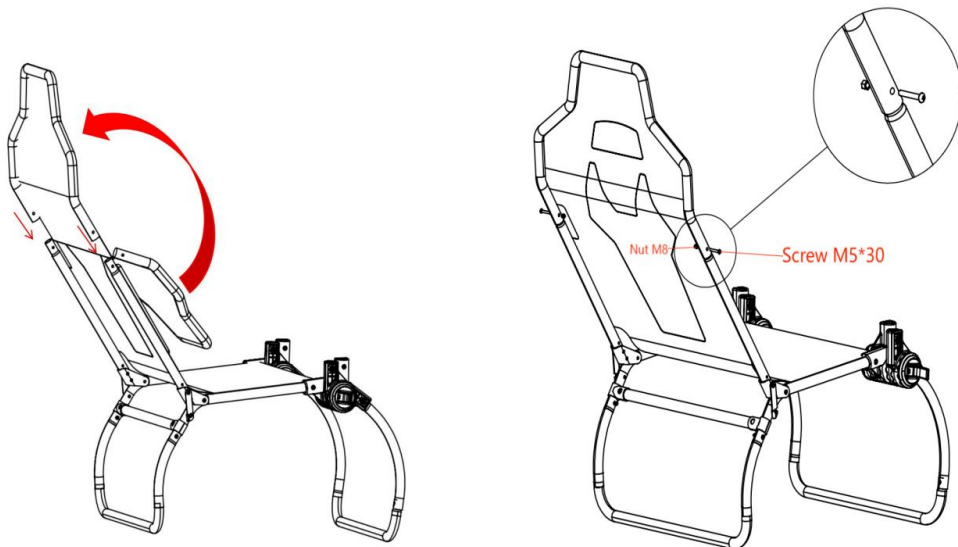
Lock the rotary fastener as shown below:



STEP 1: Unfold bracket and install supporting leg.



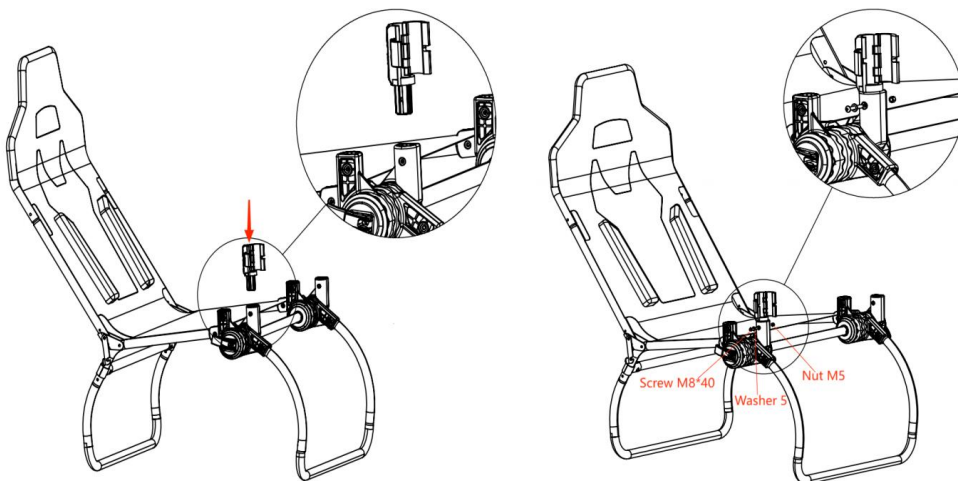
STEP 2 : Fixed backrest.



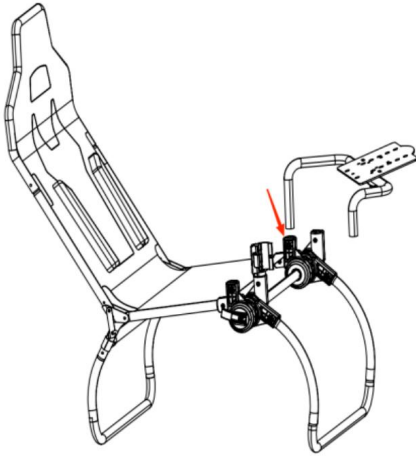
STEP 3 : Installation of Steering Wheel Bracket Mounts.

3-1

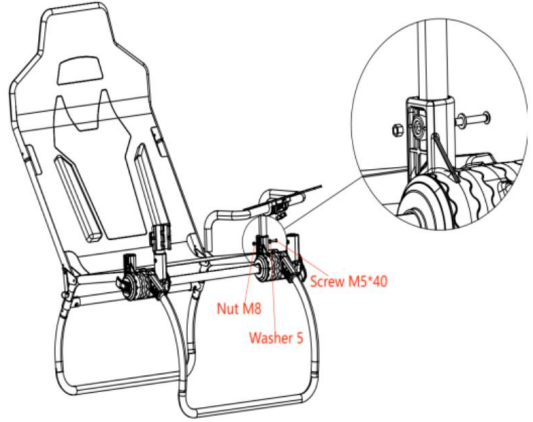
3-2



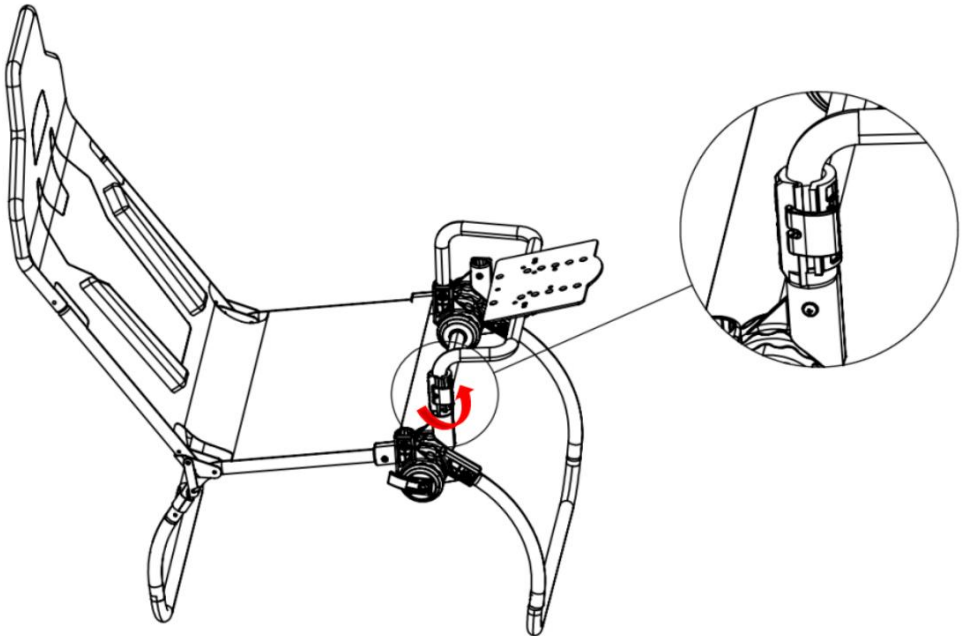
3-3



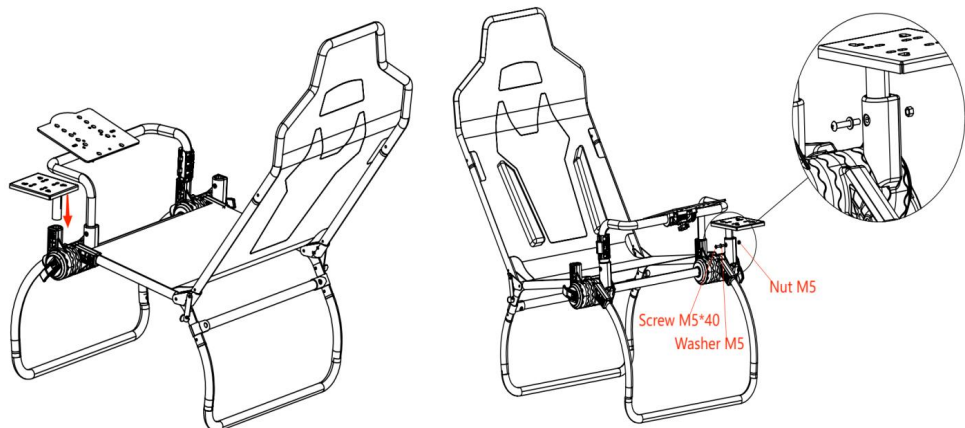
3-4



3-5

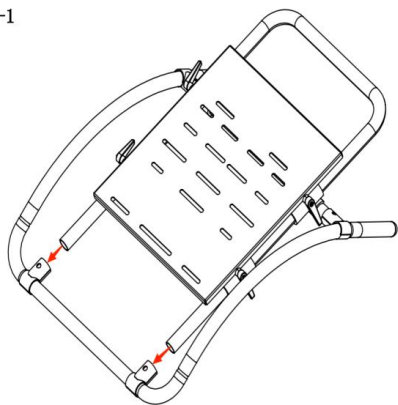


STEP 4 : Shifter panel fixing.

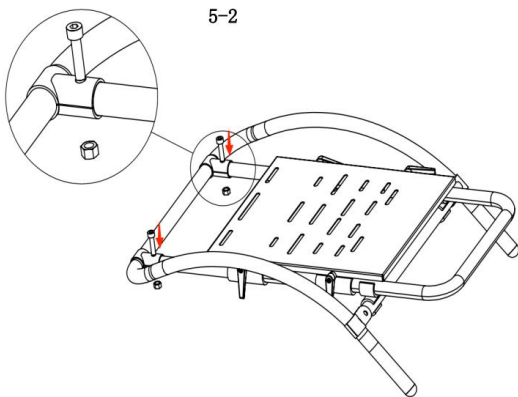


STEP 5: Install footrest bracket and attach to seat

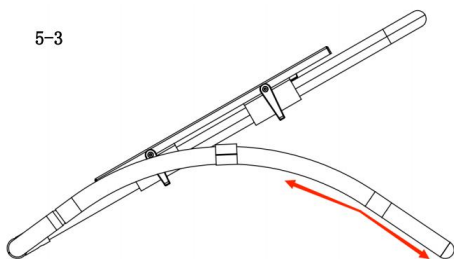
5-1



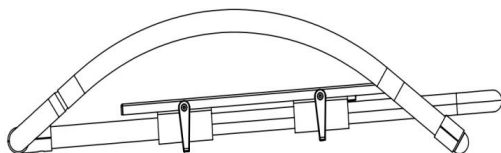
5-2



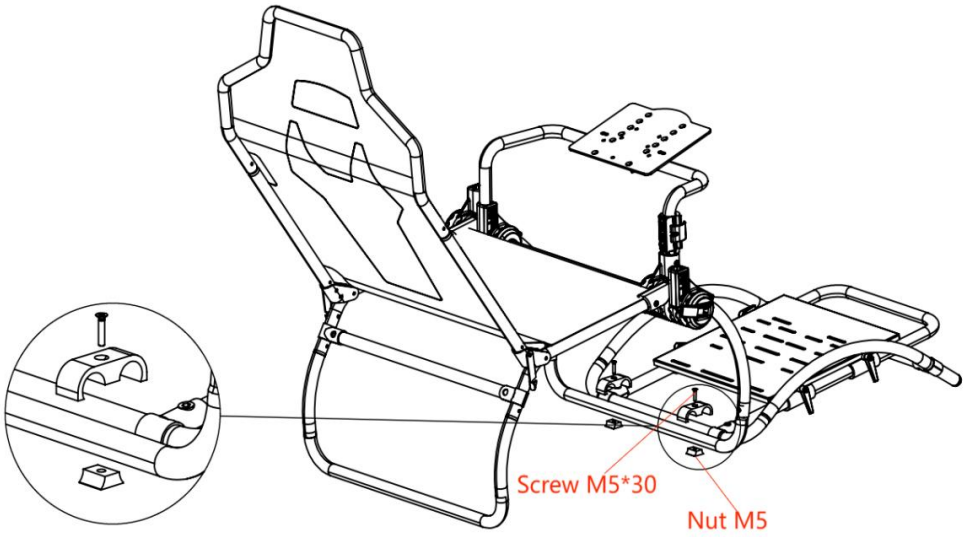
5-3



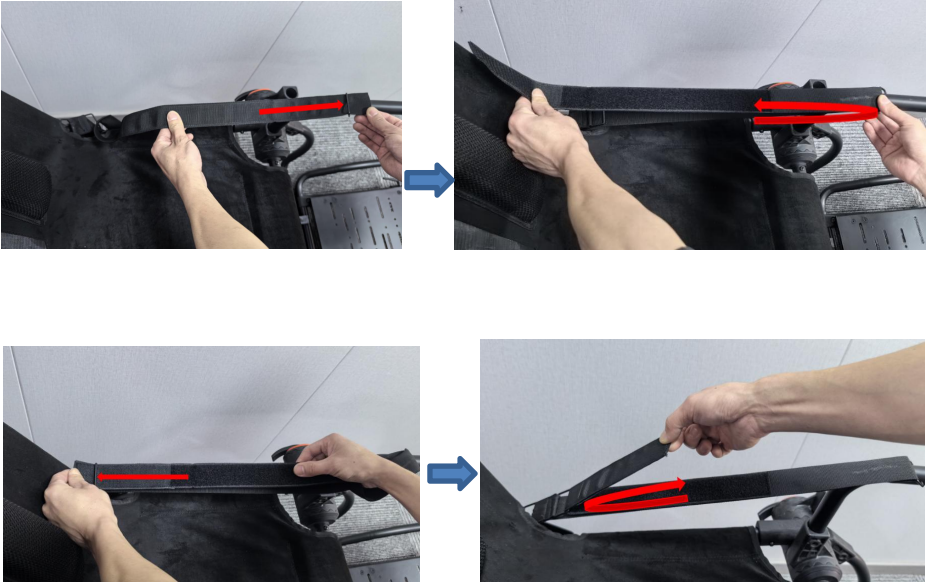
5-4



STEP 6:

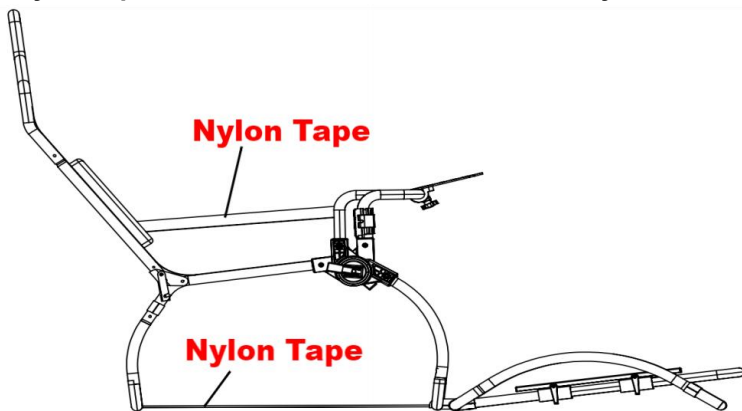


STEP 7: Nylon Tape Installation Schematic.

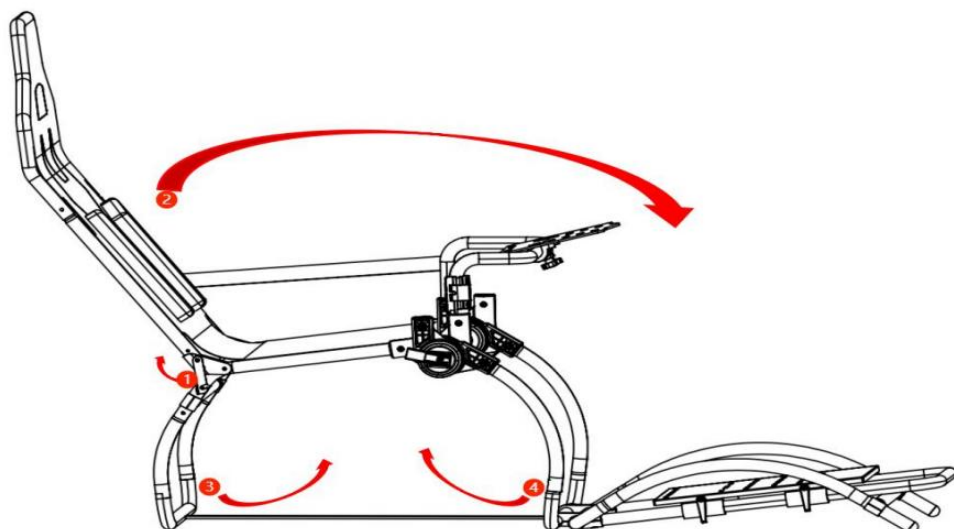


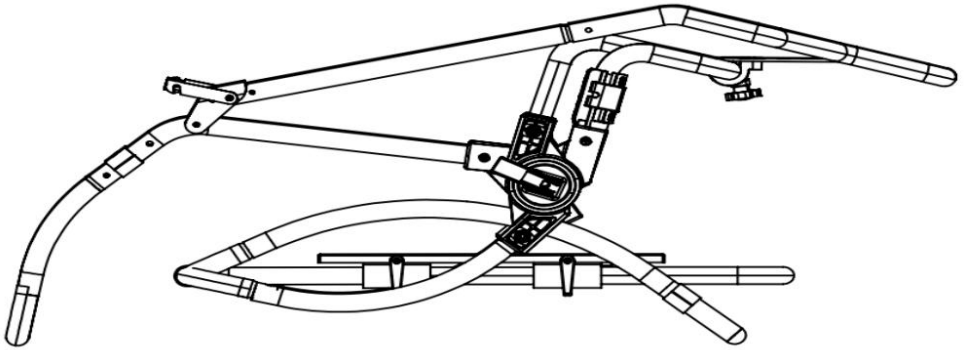


- ◆ The nylon tape at the bottom is installed in this way.



Foldable seat





Manufacturer: Shanghaimuxinmuyeyouxiangongsi

Address: Shuangchenglu 803nong11hao1602A-1609shi, baoshanqu, shanghai 200000 CN.

Imported to AUS: SIHAO PTY LTD. 1 ROKEVA STREET EASTWOOD NSW 2122 Australia

Imported to USA: Sanven Technology Ltd. Suite 250, 9166 Anaheim Place, Rancho Cucamonga, CA 91730

UK	REP
-----------	------------

YH CONSULTING LIMITED. C/O YH Consulting Limited Office 147, Centurion House, London Road, Staines-upon-Thames, Surrey, TW18 4AX

EC	REP
-----------	------------

E-CrossStu GmbH
Mainzer Landstr.69,
60329 Frankfurt am Main.

VEVOR[®]

TOUGH TOOLS, HALF PRICE

Technical Support and E-Warranty Certificate

www.vevor.com/support