

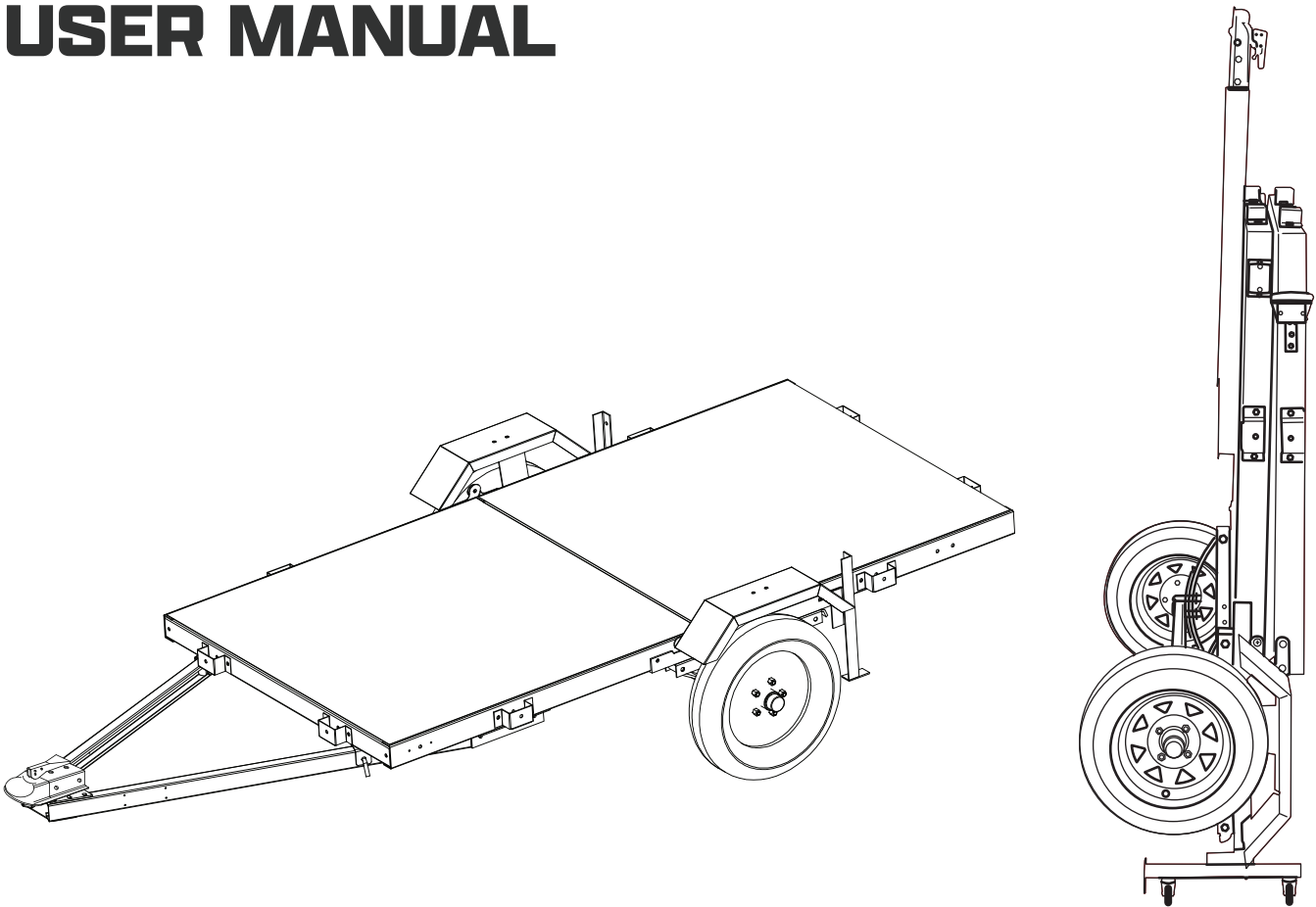


MFT4X8 SERIES

4' X 8' FOLDING TRAILERS

MFT4X8 • MFT4X8G

USER MANUAL



NOTE: If you find any damaged or missing parts please call Marlon® Customer Service or contact us via our website. We will replace any damaged or missing parts to you for free. Please do not return to the store.

CUSTOMER SERVICE 1 (888) 277-6960 | WWW.DK2.COM

WARRANTY

WHAT IS COVERED

Marlon Recreational Products Ltd. warrants to the original purchaser of a DK2 by Marlon product that the product will be free and clear of manufacturing defects in workmanship and materials under normal use and service for a period of one (1) year from the date of the original purchase. If within one (1) year from the original date of purchase this product fails due to defect in material or workmanship, Marlon will repair, replace, or supply any defective part at our option. Upon expiry of one (1) year, Marlon will have no further liability related to the Product. Marlon does not authorize any party, including its authorized distributors or dealers, to offer any other warranty on behalf of Marlon Recreational Products Ltd.

THIS WARRANTY DOES NOT COVER OR APPLY TO:

- a) Damage to the product due to misuse, mishandling and abuse.
- b) Improper installation, maintenance and storage.
- c) Expendable parts such as blades, teeth, hardware (nuts, bolts, springs, etc.), winch straps, cable or rope (winches), belts, chains, tires, bearings or hub assemblies, dust caps, springs, markers, snow deflectors, and scraper blades (snow plows).
- d) Normal wear and tear.
- e) Consequential damage and incidental damages such as damage to persons or property.

REGISTERING YOUR DK2 BY MARLON PRODUCT

Please take a minute to register your DK2 by Marlon product online at www.detailk2.com/warranty or by calling customer service at **1 (888) 277-6960**.

PROCEDURE FOR OBTAINING A RETURN AUTHORIZATION

Within the one (1) year warranty period, the purchaser of the DK2 by Marlon product must notify an authorized distributor or dealer of the claimed defect and provide proof of original purchase. At this time the validity of the claim will be determined and a Return Goods Authorization Number (RGA) will be issued if approved. No returned product will be accepted under warranty unless accompanied by an RGA# issued by Marlon.

RESOLUTION FOR A DEFECTIVE DK2 BY MARLON PRODUCT

Marlon Recreational Products Ltd. will at its option repair or replace the defective product or parts covered by this warranty. The repaired DK2 by Marlon product or parts will be shipped to the purchaser upon completion. All transportation charges shall be the responsibility of the purchaser. Any damage in transit will be the responsibility of the carrier or at the risk of the purchaser.

TRAILER LICENSING

The DK2 by Marlon Trailer Kit **MUST BE CERTIFIED** after assembly by a local garage which is approved and holds a license to provide safety certificates for roadway vehicles.

In order to register your trailer with the

Department of Motor Vehicles or Ministry of Transportation and obtain a license plate you will need to have either the NVIS form in Canada or the Manufacturers Certificate of Origin in the US filled out and signed by the dealer transferring ownership to you. This form is found in your trailer manual package. Take this form along with the bill of sale (cash register receipt) and safety certificate to your local Department of Motor Vehicles or Ministry of Transportation licensing office. Once you pay the appropriate fees you will be issued a title or registration and license plate to be attached to the trailer.

U.S.A. RESIDENTS TO CONTACT NATIONAL HIGHWAY TRAFFIC SAFETY ADMINISTRATION

If you believe that your vehicle has a defect, which could cause an accident, personal injury or death, immediately inform the National Highway Traffic Safety Administration (NHTSA) in addition to notifying Marlon Recreational Products Ltd.

If NHTSA receives similar complaints, or finds safety defects existing in a group of vehicles it may open an investigation or order a recall and remedy campaign. However, NHTSA cannot become involved in individual problems between you, your dealer, or Marlon Recreational Products Ltd.

To contact NHTSA, you may either call the Auto Safety Hotline toll-free at 1 (800) 424-9393 (or 366-0123 in Washington, DC area) or write to: NHTSA, U.S. Department of Transportation, Washington, DC 20590.

TABLE OF CONTENTS




WARRANTY.....	2
TRAILER LICENSING.....	2
TECHNICAL SPECIFICATIONS	4
SAFETY.....	5
SAFETY CONVENTIONS.....	5
IMPORTANT SAFETY CHECKLIST	5
LIGHTING & WIRING MAINTENANCE	6
TO TEST THE VEHICLE WIRING:	7
TO TEST THE TRAILER WIRING:	7
LOADING YOUR TRAILER.....	7
TRAILER COUPLER.....	8
TO ADJUST COUPLER TO BALL:.....	8
WHEEL BEARING & HUB ASSEMBLY	8
RE-PACKING WHEEL BEARINGS	8
ASSEMBLY	9
TOOLS REQUIRED	9
STEP 1: FRAME.....	9
STEP 2: TONGUE.....	10
STEP 3: SPRING HANGERS.....	11
STEP 4: FENDERS.....	12
STEP 5: SPRING AND AXLE	13
STEP 6: TIRES	14
STEP 7: GETTING YOUR TRAILER TOW-READY	16
STEP 8: LIGHTING KIT	17
STEP 9: WIRING.....	18
STEP 10: COUPLER.....	20
PARTS & SCHEMATICS	22
PARTS LIST	22
SCHEMATICS.....	23
AXLE ASSEMBLY PARTS & SCHEMATICS	24
PARTS LIST: AXLE ASSEMBLY.....	24
SCHEMATICS: AXLE ASSEMBLY	24

TECHNICAL SPECIFICATIONS

	MFT4XB	MFT4XBG
PAYLOAD CAPACITY	1,383 lb (627 kg)	1,379 lb (625 kg)
GVWR	1,720 lb (780 kg)	
WHEELS & TIRES	5.30-12, 550 kPa (80 PSI), 12 x 5 rim	
MATERIAL	UV Powder Coated Steel	Hot-Dip Galvanized Steel, Galvanneal
RAILS	Tubular steel (sold separately)	
FLOORING	Solid steel, anti-slip textured	
LIGHTING	Pre-wired, quick connect D.O.T. LED with flat 4-wire harness and connector	
COUPLER	2" (~5 cm), Class II 3,500 lb (1,587 kg)	
BED DIMENSIONS	96" (L) x 48" (W) / 243.8 cm (L) x 121.9 cm (W)	
DIMENSIONS	135" (L) x 62.3" (W) x 20" (H) / 342.9 cm (L) x 158.2 cm (W) x 50.8 cm (H)	
WEIGHT	337 lb (152 kg)	341 lb (154 kg)
SHIPPING DIMENSIONS	48.4" (L) x 62.2" (W) x 7.9" (H) / 122.9 cm (L) x 158 cm (W) x 20.1 cm (H)	
SHIPPING WEIGHT	376 lb (170 kg)	381 lb (172 kg)
WARRANTY	1-year limited	

SAFETY

SAFETY CONVENTIONS


-  **DANGER!** This indicates a hazardous situation, which, if not avoided, could result in death or serious injury.
-  **WARNING!** This indicates a hazardous situation, which, if not avoided, could result in minor or moderate injury.
-  **CAUTION!** This information is important in proper use of your machine. Failure to follow this instruction could result in damage to your machine or property.

ADDITIONAL INFORMATION AND POTENTIAL CHANGES

We reserve the right to discontinue, change, and improve our products at any time without notice or obligation to the purchaser. The descriptions and specifications contained in this manual were in effect at printing. Equipment described within this manual may be optional. Some illustrations may not be applicable to your machine.












IMPORTANT SAFETY CHECKLIST

Trailers are generally not used everyday. Your trailer may sit for extended periods of time between uses making it very important to check all components thoroughly before each use. Following these simple instructions will maximize the life of your trailer and help you safely transport cargo.

-  **CAUTION! DO NOT ABUSE THE TRAILER:** Trailer performance is best if you follow the guidelines set forth in this manual. Do not force the trailer to do a job it is not designed for. Know your trailer; learn its


applications and limitations.

1. Make sure the towing vehicle as well as the hitch are capable of towing the trailer. Check your vehicle owner's manual for trailering things.
2. Inspect the trailer and all of its parts before each use.
3. Check the operation of all lights. Operating lights are mandatory on a trailer.
4. Check to ensure wheel bolts are tight. Torque to 85-90 ft.-lbs. Re-tighten after the first 50 miles (80km).
5. Check the tire pressure. Maximum 80 PSI (550 KPA) when carrying the maximum rated load.
6. Re-pack the wheel bearings every 2,000 miles (3,200km) or a minimum of once every year.
7. Check that the trailer coupler is fastened securely onto the trailer ball. The trailer ball must be a 2-inch ball.
8. Make sure the safety chain is attached to the trailer and the towing vehicle.
9. If your trailer has an optional side kit, make sure all bolts and pins are in place before transporting your trailer.
10. Do not exceed the Gross Vehicle Weight Rating (G.V.W.R.) which is shown on the trailer serial/certification label.
11. Balance and secure the load on the trailer. See "Loading Your Trailer" section.
12. Lubrication of the coupler, springs, and the tilt mechanism should be done periodically to stop corrosion and keep parts moving freely.

-  **DANGER! KEEP CHILDREN AWAY:** Be sure children are kept a safe distance from the trailer operating area.
-  **DANGER! NEVER SIT OR RIDE ON THE TRAILER:** Serious injury or death could occur.
-  **DANGER! EXERCISE EXTREME CAUTION WHEN TILTING THE TRAILER:** There are many areas of the trailer where injury can occur if used improperly. The trailer may tilt quickly and unexpectedly during the loading and unloading process. The tilt option should not be used for heavy loads.
-  **DANGER!** Ramps should be used for loading heavy items.
-  **DANGER!** Do not drive with the trailer in the tilted position.
-  **DANGER!** Do not load more than one all-terrain vehicle onto this trailer.
-  **DANGER!** If the trailer is incorrectly attached to the vehicle, it could pull away from the vehicle and fall off.
-  **DANGER!** Secure the trailer to the towing vehicle before transportation. Make sure coupler is locked and the safety chains are attached to the trailer and the vehicle.
-  **DANGER!** Secure your cargo into the trailer properly and in compliance to local laws.
-  **DANGER!** When driving do not exceed the speed limit. Braking time can be considerably longer when a vehicle is towing a loaded trailer.
-  **DANGER!** Any modifications made to the trailer or parts of the trailer will void the trailer warranty and release Marlon Recreational Products Ltd.

of any responsibility for damages, injuries or accidents incurred.

LIGHTING & WIRING MAINTENANCE

-  **DANGER! USE ONLY ORIGINAL EQUIPMENT PARTS AND ACCESSORIES:** Consult Marlon at **1 (888) 277-6960** for the recommended accessories. The use of improper accessories may cause hazards or injuries.

WIRING LEGEND				
SYMBOL	COLOR	DESCRIPTION	OPERATION	
G	Green Wire	Passenger Side (Right)	Right Signal	Brake
B	Brown Wire	Running Lights	Tail Light Marker	Yellow Front Side Markers
Y	Yellow Wire	Driver Side (Left)	Left Signal	Brake
W	White Wire	Ground	Trailer Ground	

NOTE:


Brake light goes out on the side that is signaling.
 Lower Filament (Brighter light) = Brake & Signal.
 Higher Filament (Dimmer Light) = Running Lights


TO TEST THE VEHICLE WIRING:

You will need a 12v light tester. Attach the wire clamp of the tester to the ground wire on the vehicle plug. Then touch the tester pin into one of the vehicle plug contacts. Turn on the corresponding vehicle operation i.e. Running Lights. This will illuminate the tester light if the vehicle wiring is correct. Follow this same procedure for the signal and brake lights.

TO TEST THE TRAILER WIRING:

Once you have confirmed that the vehicle trailer plug is operating properly, connect the trailer plug into your vehicle. To proceed to test each of the lights and power leads using your 12v light tester. Follow the wiring legend and diagram to test each corresponding wire for power when the trailer light is not operating.

 **CAUTION!** Always be sure to check your brake, running and signal lights before each use. Make sure that all of your connections are solid and that all wiring is in good condition.

 **CAUTION!** Bare, stripped, or pinched wire will cause a short in the trailer, which will cause the vehicle fuse to blow. A solid ground is required for your lights to work properly. All contacts must be to bare metal. Light

covers should be well maintained and kept clean. Be sure that your lights are always visible, not obstructed by your load.

LOADING YOUR TRAILER

- a) Distribute the weight evenly.
- b) Center the load over the axle, keeping about 10% of the weight on the tongue. (If vehicle wheels are not on a crossbeam you will need to add wood to the floor to support each axle.
- c) Center the load from side to side.
- d) Always secure your cargo into the trailer properly and in compliance to local laws.



WARNING! Do not build your trailer load higher than 3 feet. Higher loading will affect trailer handling due to increased wind resistance. This may cause violent movements, accidents and serious injury.

**WARNING! TRAILER CAPACITY**

- Never overload your trailer. Each trailer has a maximum payload that should not be exceeded. Overloading your trailer could cause serious damage to your trailer as well as the towing vehicle. Please refer to your trailer serial/certification label located on the same frame of the trailer for capacity details.

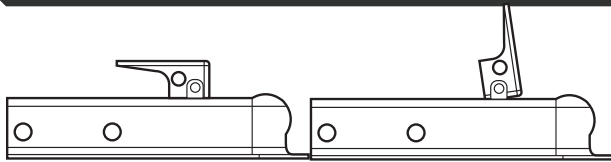
- The Gross Vehicle Weight Rating (G.V.W.R.) is the weight of the trailer + the maximum payload the trailer can carry. The trailer weight and the payload must not exceed this weight rating.
- Be sure that any load carried in your trailer does not extend beyond the frame of your trailer. Never place loads on one side only.



WARNING! TONGUE WEIGHT

- The tongue weight is 10% of the load (this does not include the weight of the trailer).
- The load is divided so that 90% of the load is over the axle and 10% is over the tongue.

TRAILER COUPLER



LOCKED

UNLOCKED

TO ADJUST COUPLER TO BALL:

Set the coupler and tongue onto the 2-inch trailer ball on your vehicle. Raise the locking lever, push up on the channel lock and turn nut to tighten or loosen the coupler. Proper adjustment is obtained when the coupler is as tight as possible on the ball and the locking lever can still be opened and closed.



CAUTION! Before towing your trailer be sure to check the capacity of your trailer hitch on your vehicle (never exceed this or your trailer's capacity). The DK2[®] by Marlon Trailer is equipped with a 2-inch coupler and must be used with 2-inch trailer ball. Make sure that the trailer ball is

completely engaged in the coupler ball.

WHEEL BEARING & HUB ASSEMBLY

NOTE: No parts are more critical for the dependable performance of your trailer than the bearings, races, and seals. To ensure that your trailer performs reliably, you should inspect the bearings, races, and seals and re-pack the bearings every 12 months or 3,200km (2,000 miles). This is easily found on the internet by searching "Trailer Wheel Bearings Maintenance".

RE-PACKING WHEEL BEARINGS

1. Loosen wheel bolts (do not remove)
 2. Support trailer so wheel is off the ground (jack stack - floor jack - block)
 3. Remove nuts and wheel
 4. Disassemble hub
 5. Clean hub and pack bearings with wheel bearing grease
 6. Re-install bearings, nut and cotter pin
- WARNING!** DO NOT over-tighten nut. The hub must turn freely and without play.
7. Re-attach bolts and wheel (torque to 80 ft-lbs.)

ASSEMBLY

TOOLS REQUIRED

WRENCH / SOCKET	16 mm, 17 mm, 18 mm, 19 mm, 20 mm, 21 mm
PLIERS	
PHILLIPS SCREWDRIVER	
RUBBER Mallet	

NOTE: The trailer parts are called out by standing at the rear of the trailer looking toward the hitch. The trailer frame parts are labeled • Do not tighten any nuts and bolts until the entire trailer is assembled. Periodically check all the nuts and bolts for tightness • Tighten the wheel lug nuts to 85-90 ft.-lbs. (115.24 - 122.02 Nm) of torque after assembling the trailer, after the first 20, 50, and 100 miles (30, 80, 160 kilometres) of driving and before each tow thereafter.

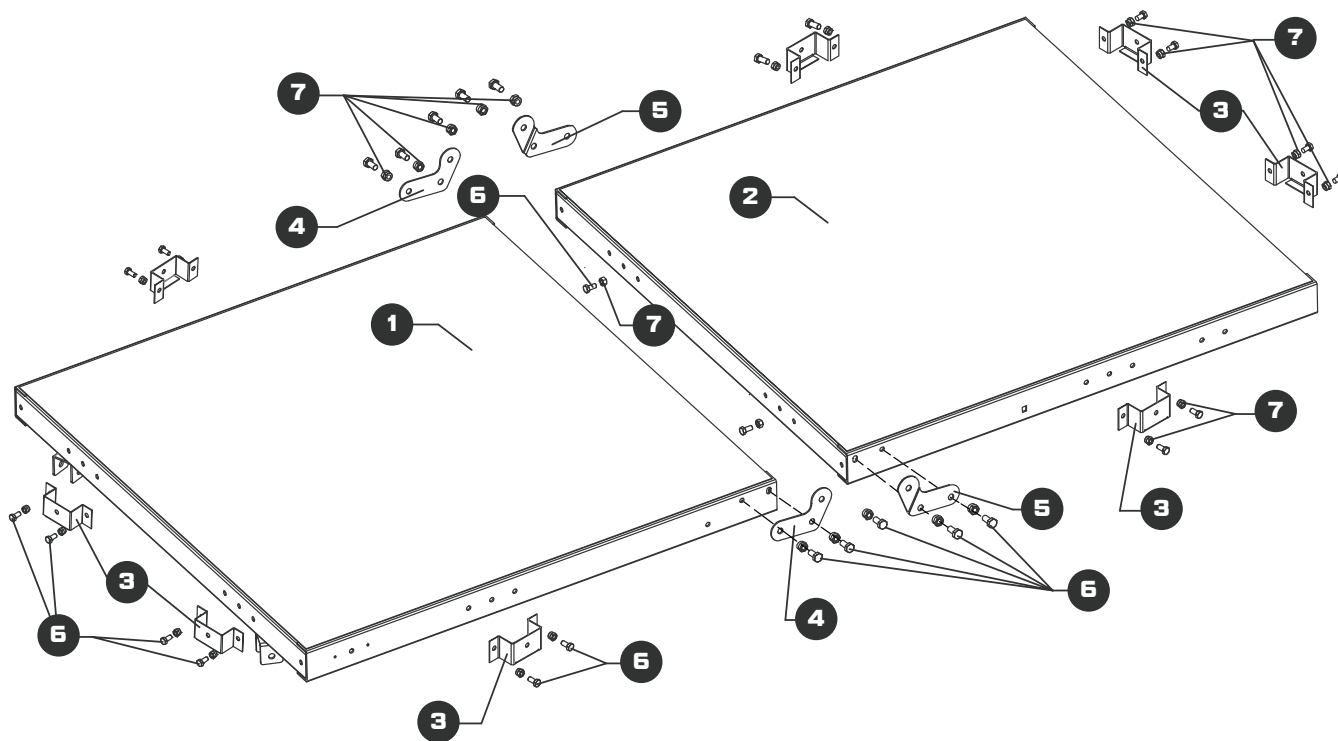
STEP 1: FRAME

Lay the front frame (1) and rear frame (2) as shown. Note the location of the marker light holes in the front side rails.

1. Use M10 x 20 hex bolts (6), and M10 nuts (7) to mount the eight stake pockets (3) to the trailer as shown.
2. Use M10 x 20 hex bolts (6), and M10 nuts (7) to mount the front hinges (4) to the front frame (1) and the rear hinges (5) to the rear frame (2).

3. Connect the two frames with M10 x 20 hex bolts (6), and M10 nuts (7).

ITEM N°	DESCRIPTION	PART N°	QTY
1	Front frame weldment	100-0168	1
2	Rear frame weldment	100-0169	1
3	Stake pocket	100-0180	8
4	Front frame deck hinge	100-0181	2
5	Rear frame deck hinge	100-0182	2
6	M10 x 20 hex bolt	210-0135	28
7	M10 nylock nut	210-0003	28

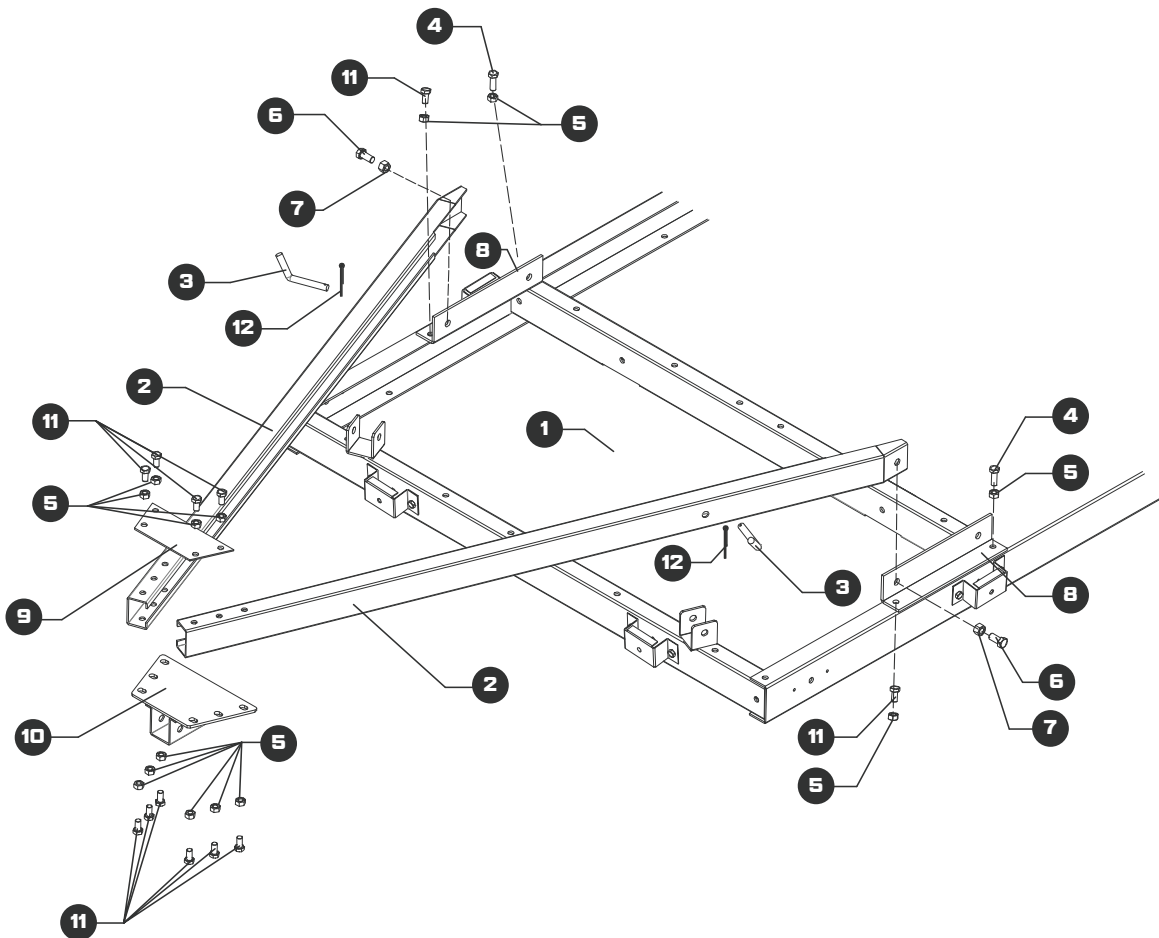


STEP 2: TONGUE

1. Flip the front frame (1) over so it is upside down.
2. Position tongue (2) to the front frame (1), fitting the tongue (2) into the U bracket on the front cross member.
3. Use L-pin (3) to go through the U bracket and lock with R-pin (12) after.
4. Use M10 x 30 (4) hex bolts, M10 nuts (5), and M12 x 25 hex bolts (6), M12 nuts (7) to connect the tongue (2) ends to the tow bar connect hangers (8). Do not tighten the bolts until the assembly is complete.

5. Connect the tongue bottom plate (9), and coupler tongue top plate (10) as shown with M10 x 20 hex bolts (11), M10 nuts (5), .

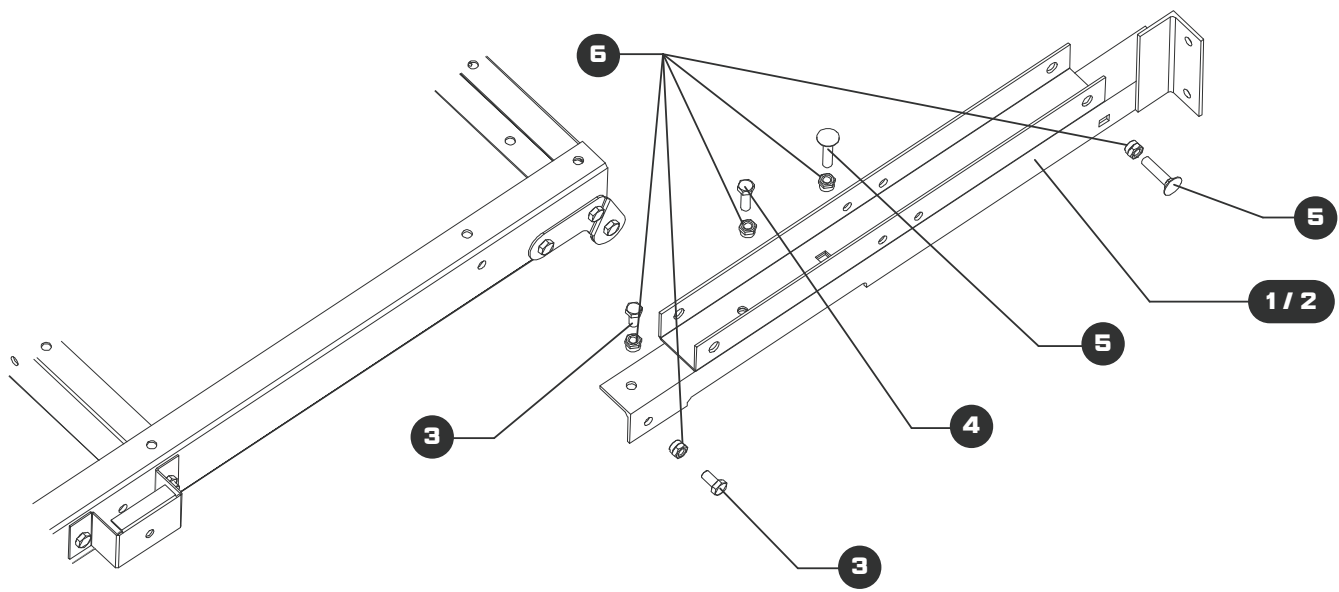
ITEM N°	DESCRIPTION	PART N°	QTY
1	Front frame weldment	100-0168	1
2	Tongue weldment	100-0170	2
3	L-pin	207-0031	2
4	M10 x 30 hex bolt	210-0093	2
5	M10 nylock nut	210-0003	14
6	M12 x 25 hex bolt	210-0138	2
7	M12 nylock nut	210-0015	2
8	Tow bar connect hanger	100-0179	2
9	Tongue bottom plate	100-0172	1
10	Coupler tongue top plate	100-0171	1
11	M10 x 20 hex bolt	210-0135	12
12	R-pin	207-0012	2



STEP 3: SPRING HANGERS

Install the spring hangers (1, 2) to the trailer sides with M10 x 20 hex bolts (3), M10 nuts (6) at the front, M10 x 30 hex bolts (4), M10 nuts (6) in the middle, and M10 x 25 carriage bolts (5), M10 nuts (6) for the rear. Finger tighten for later in the assembly process, this will secure your bed halves.

ITEM N°	DESCRIPTION	PART N°	QTY
1	Left spring hanger	100-0177	1
2	Right spring hanger	100-0178	1
3	M10 x 20 hex bolt	210-0135	4
4	M10 x 30 hex bolt	210-0093	2
5	M10 x 25 carriage bolt	210-0001	4
6	M10 nylock nut	210-0003	10



STEP 4: FENDERS

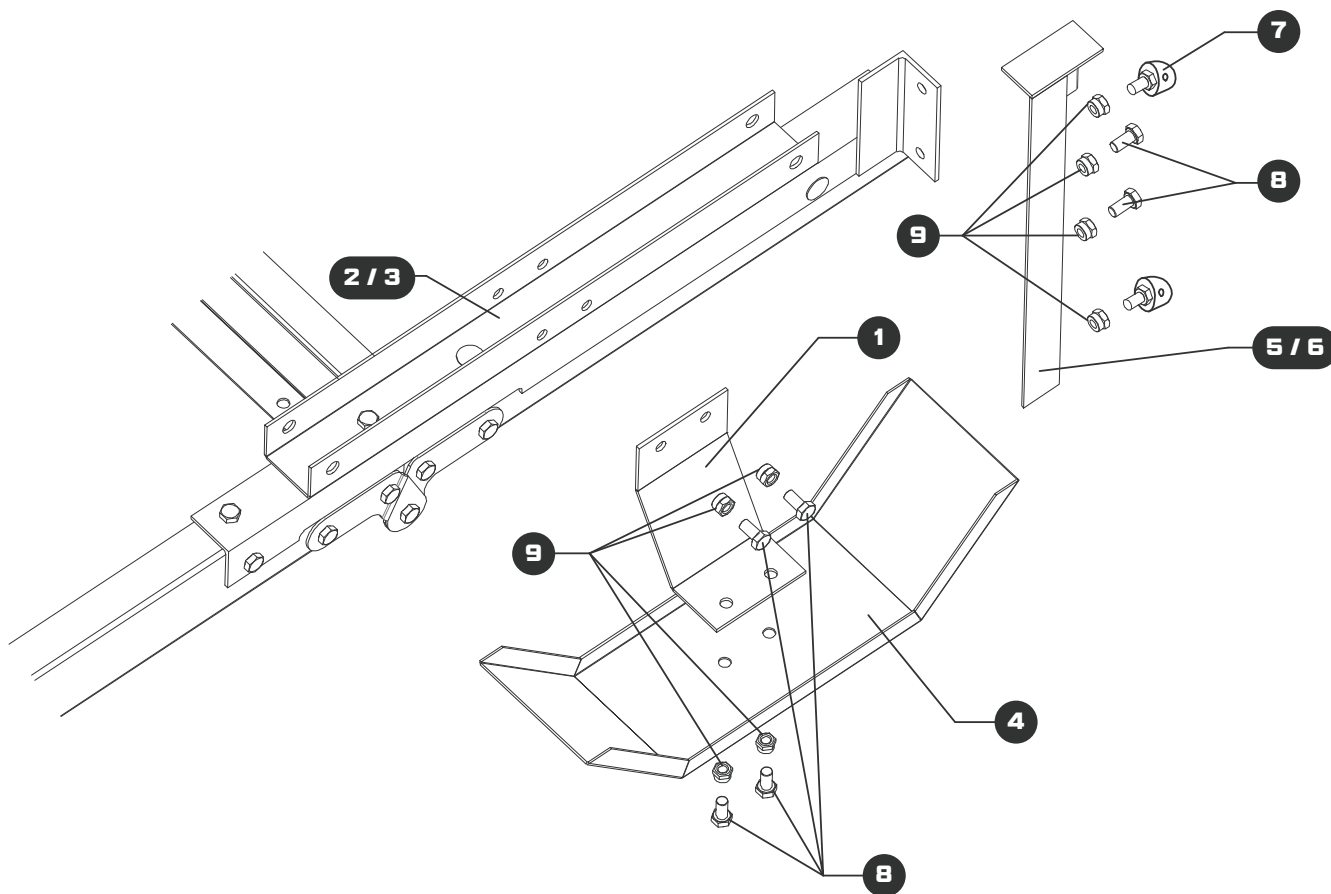
NOTE: You will have to prop up the bed to give yourself space to attach the fender and caster brackets

1. Connect the fender brackets (1) to the spring hangers (2, 3) with M10 x 20 hex bolts (8), M10 nuts (9).
2. Connect the fenders (4) to the fender brackets (1) with M10 x 20 hex bolts (8), M10 nuts (9).

NOTE: The holes on the side of the fender edge should be facing toward the trailer.

3. Connect the caster brackets (5, 6) to the spring hangers (2, 3) with M10 x 20 hex bolts (8), M10 nuts (9).
4. Install the casters (7) to the caster brackets (5, 6) and secure with M10 nuts (9).

ITEM N°	DESCRIPTION	PART N°	QTY
1	Fender bracket	100-0173	2
2	Left spring hanger	100-0177	1
3	Right spring hanger	100-0178	1
4	Fender	206-0037	2
5	Right caster bracket	100-0184	1
6	Left caster bracket	100-0185	1
7	Caster	216-0007	4
8	M10 x 20 hex bolt	210-0135	12
9	M10 nylock nut	210-0003	16

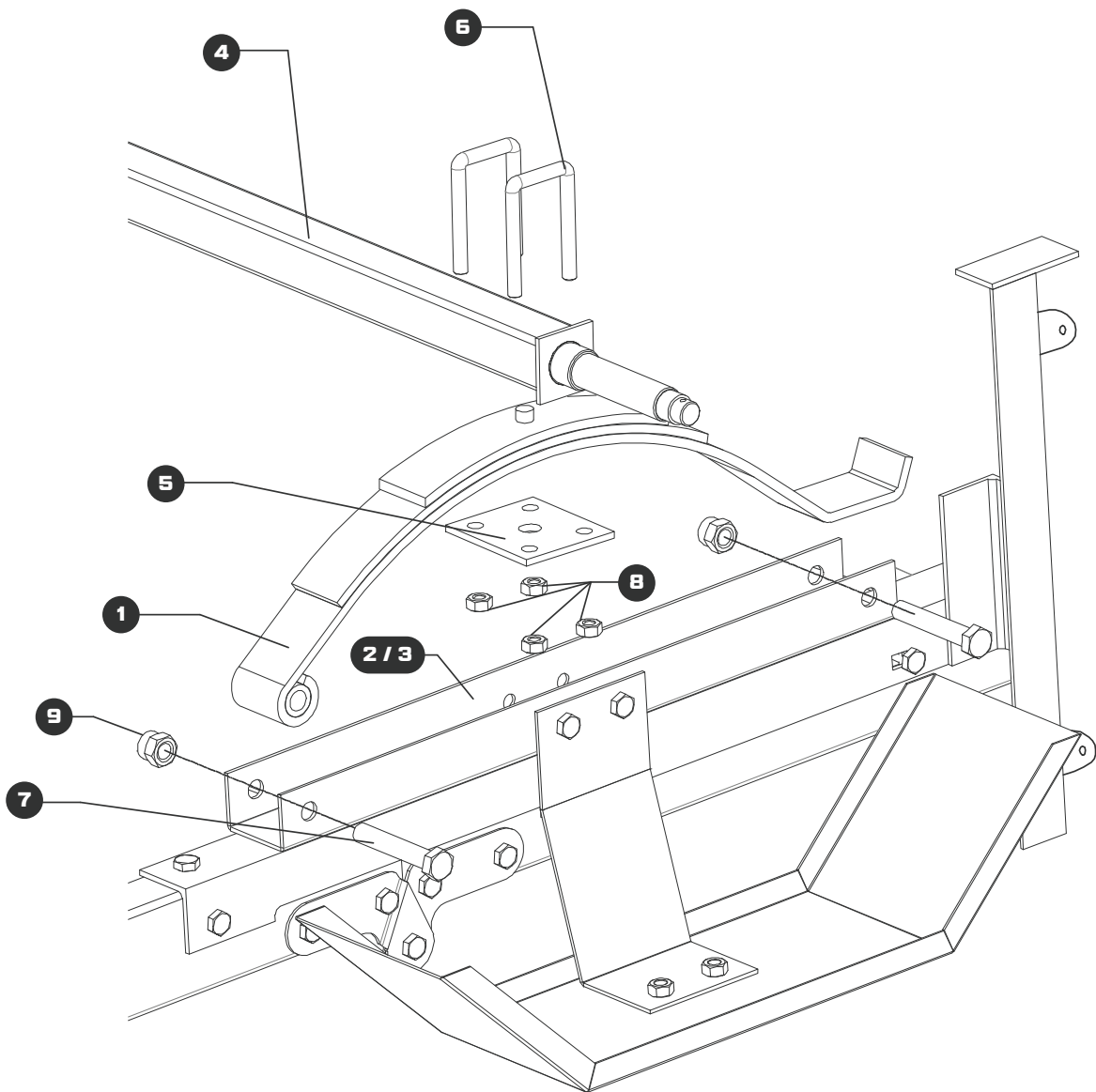


STEP 5: SPRING AND AXLE

- Place the 3-leaf springs (1) into the spring hangers (2, 3) with the eye facing forward towards the tongue of the trailer. Secure with M12 x 80 hex bolts (7) and M12 nuts (9) by going through the spring hangers (2, 3) and spring eyes as well as above the rear of the spring.
- Place the axle (4) onto the 3-leaf springs (1) with the hole on the axle over the peg on the spring. Fasten

the axle to each spring with M10 x 95 x 38 U-bolts (6), M10 nuts (8) through the spring plate (5).

ITEM N°	DESCRIPTION	PART N°	QTY
1	3-leaf spring	219-0003	2
2	Left spring hanger	100-0177	1
3	Right spring hanger	100-0178	1
4	Axle	310-0113	1
5	Spring plate	100-0035	2
6	M10 x 95 x 38 U-bolt	210-0154	4
7	M12 x 80 hex bolt	210-0043	4
8	M10 nylock nut	210-0003	8
9	M12 nylock nut	210-0015	4

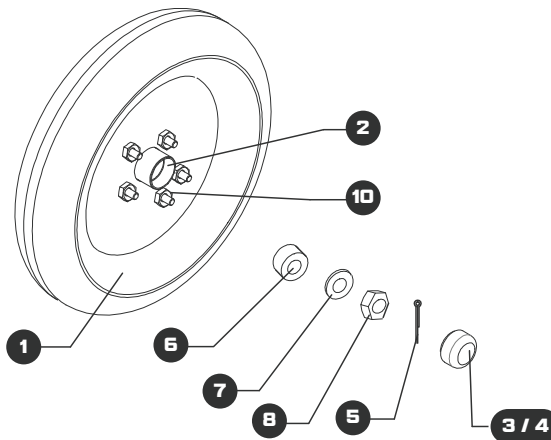
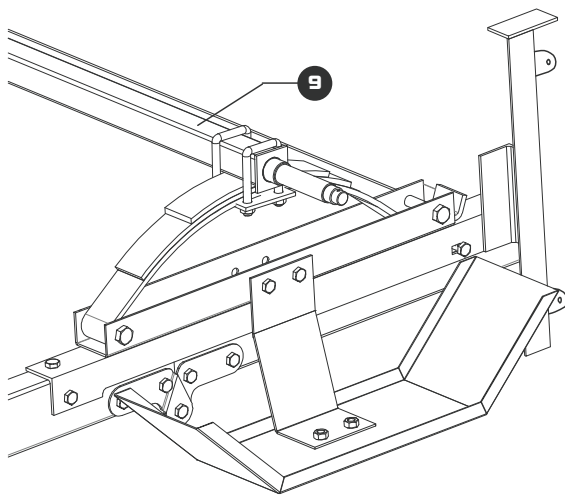
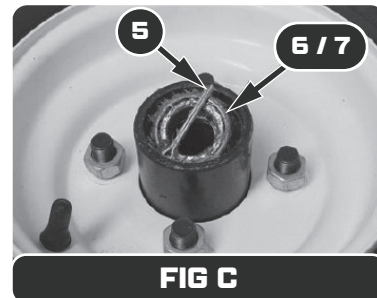
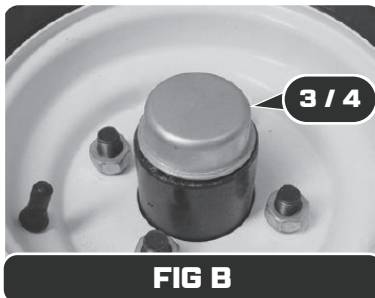


STEP 6: TIRES

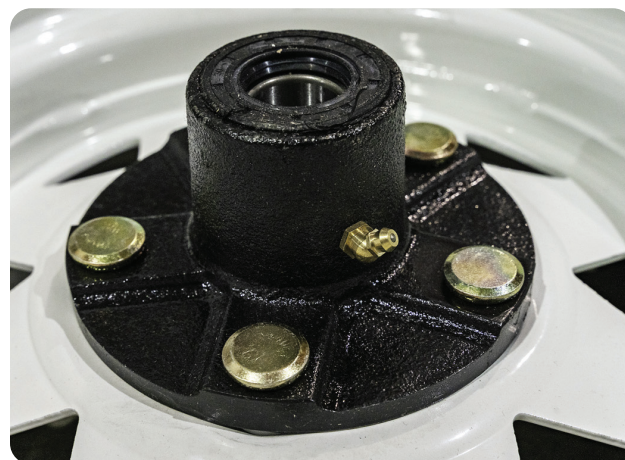
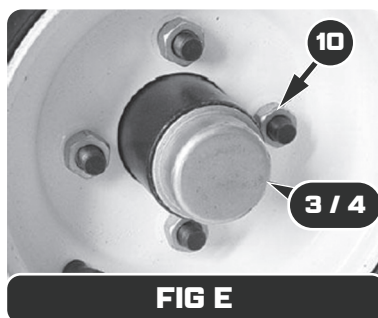
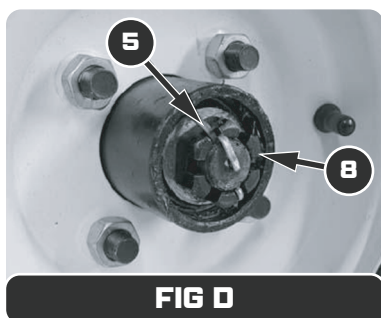
1. Locate both tires (1) and hub assemblies (2). For easy access, be certain that grease fittings (11) are facing out away from the hub (2) as shown in FIG A.
2. Remove the dust cap assembly (3, 4) using a small pry bar between the flange on the dust cap (3, 4) and the face of the hub (2) (FIG B).
3. Remove the cotter pin (5), bearing (6), and washer (7). See FIG C.
4. Remove castle nut (8), from axle (9) ends.

5. Carefully slide the tire (1) and hub assembly (2) onto the axle (9) with lug nuts (10) facing outward. See drawing below.

ITEM N°	DESCRIPTION	PART N°	QTY
1	Tire and wheel	220-0044	2
2	Hub assembly	310-0078	2
3	Dust cap with hole	229-0067	2
4	Rubber dust cap	229-0105	2
5	Cotter pin	207-0006	2
6	Bearing (30205)	202-0004	2
7	M22 washer	210-0165	2
8	M22 x 1.5 castle nut	210-0166	2
9	Axle	310-0113	1
10	Lug nut	210-0012	10
11	Grease fitting	229-0083	2



6. Install the bearing (6) with the taper facing inward toward the hub (2).
7. Install the washer (7) and castle nut (8). Tighten the castle nut (8) while turning the tire/hub (1, 2). Tighten the castle nut (8) until there is resistance while turning the tire/hub (1, 2).
8. Install the cotter pin (5) through the castle nut (8) and hole in the axle (9) end. If holes are not aligned, slightly loosen the castle nut (8) - no more than one castellation - to align holes.
9. Spread the cotter pin (5) to retain the castle nut (8). See FIG D.
10. Pump approximately 8-10 pumps of a hand grease gun into the hub (2).
11. Install the dust cap (3, 4) firmly on the hub (2) with a rubber mallet. See FIG E.
12. Repeat steps 2-11 for the other tire/hub (1, 2).
13. While the trailer is still upside-down, move to installing the wiring.



STEP 7: GETTING YOUR TRAILER TOW-READY

⚠ DANGER! BEFORE TOWING: Always re-install and fasten the hardware that was removed to fold the trailer. See the note below.

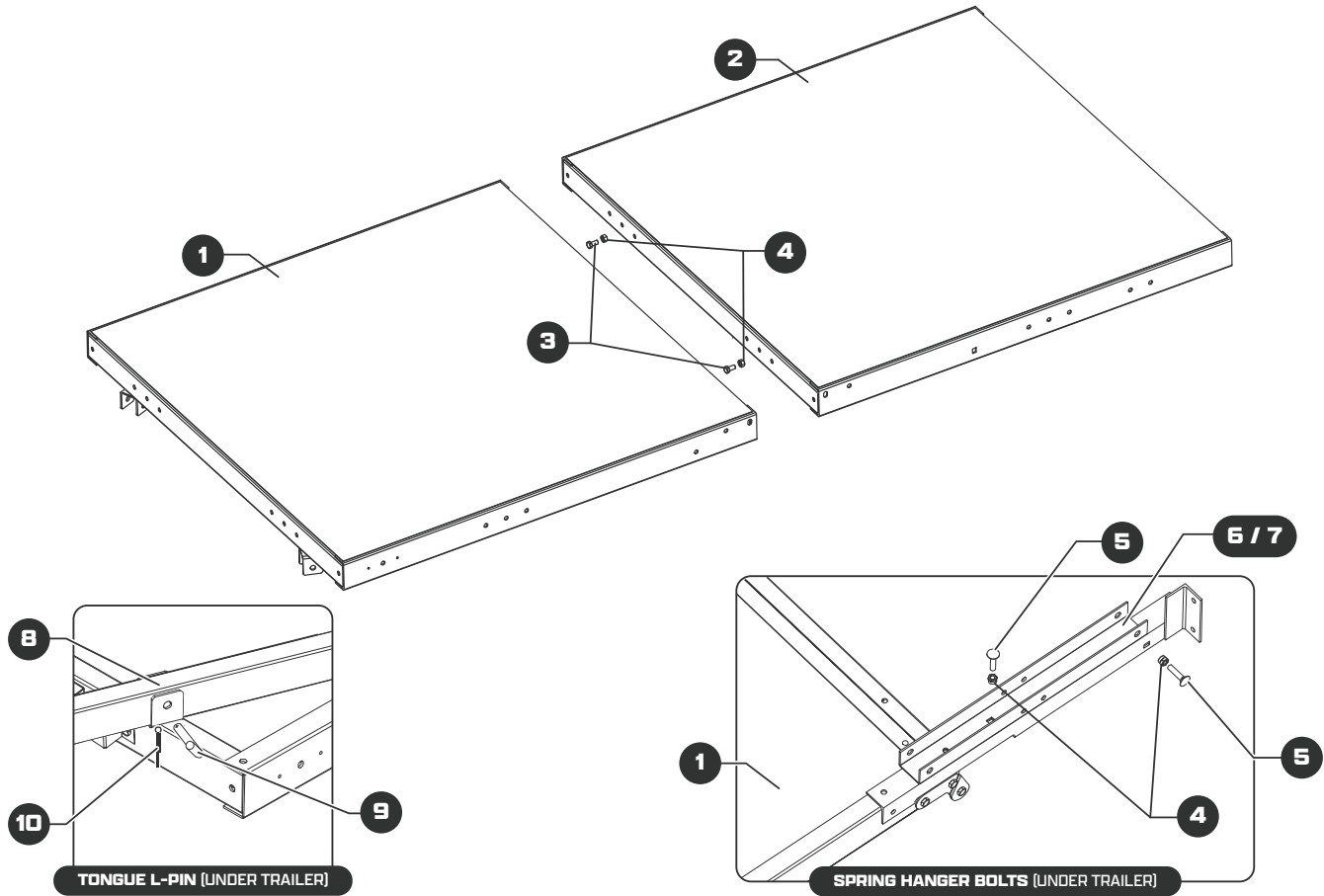
IMPORTANT: The front and rear frames (1, 2), and the tongue are fastened together in **3 places**:

- (i) Between both frames (1, 2) by two M10 x 20 hex bolts (3), M10 nuts (4).
- (ii) Spring hangers (6, 7) by a total of four M10 x 25 carriage bolts (5), M10 nuts (4).
- (iii) Tongue (8) by two L-pins (9) and R-pins (10).

Removing this hardware allows for the trailer bed to fold.

⚠ WARNING! AFTER FOLDING: Use a strap to hook and secure both cross members underneath the front and rear frames (1, 2) to ensure the trailer does not unfold during stowaway transport.

ITEM N°	DESCRIPTION	PART N°	QTY
1	Front frame weldment	100-0168	1
2	Rear frame weldment	100-0169	1
3	M10 x 20 hex bolt	210-0135	2
4	M10 nylock nut	210-0003	6
5	M10 x 25 carriage bolt	210-0001	4
6	Left spring hanger	100-0177	1
7	Right spring hanger	100-0178	1
8	Tongue weldment	100-0170	1
9	L-pin	207-0031	2
10	R-pin	207-0012	2

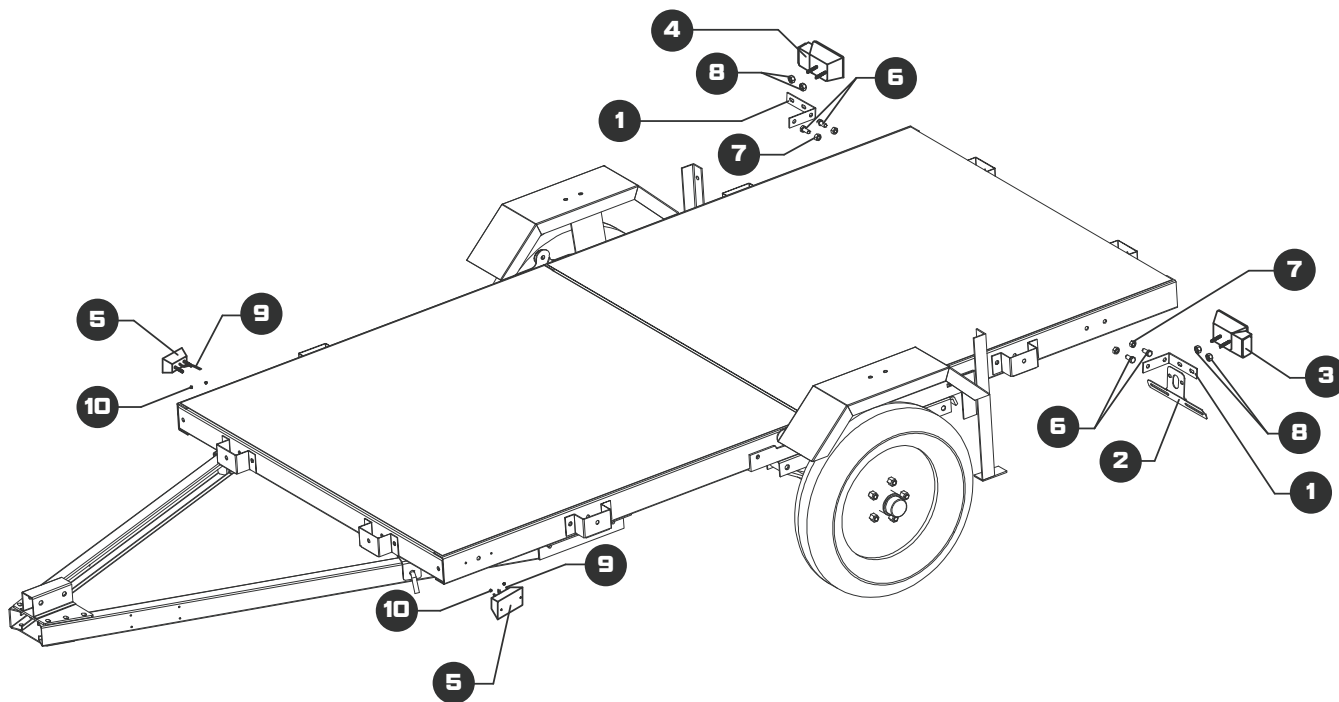


STEP 8: LIGHTING KIT

1. Attach the light brackets (1) to the rear side rails by using M10 x 20 hex bolts (7), M10 nuts (8).
2. Attach the license plate bracket (2) with the left tail light (3), to the light bracket (1) on the left side rail using M6 nuts (8).
3. Attach the right tail light (4) to the light bracket (1) on the rear right side rail using M6 nuts (8).
4. Attach the side markers (5) to the front side rails using M4 x 65 phillips pan bolts (9) and M4 nuts (10).

NOTE: The trailer should still be - at this point - upside down. The figure shown below shows the position of the lighting components on a right-side up trailer for clarity.

ITEM N°	DESCRIPTION	PART N°	QTY
1	Taillight bracket	100-0183	2
2	License plate bracket	205-0037	1
3	Left taillight	205-0023	1
4	Right taillight	205-0024	1
5	Marker light	205-0069	2
6	M10 x 20 hex bolt	210-0135	4
7	M10 nylock nut	210-0003	4
8	M6 lock nut	210-0167	4
9	M4 x 65 phillips pan bolt	210-0153	4
10	M4 nylock nut	210-0108	4



STEP 9: WIRING

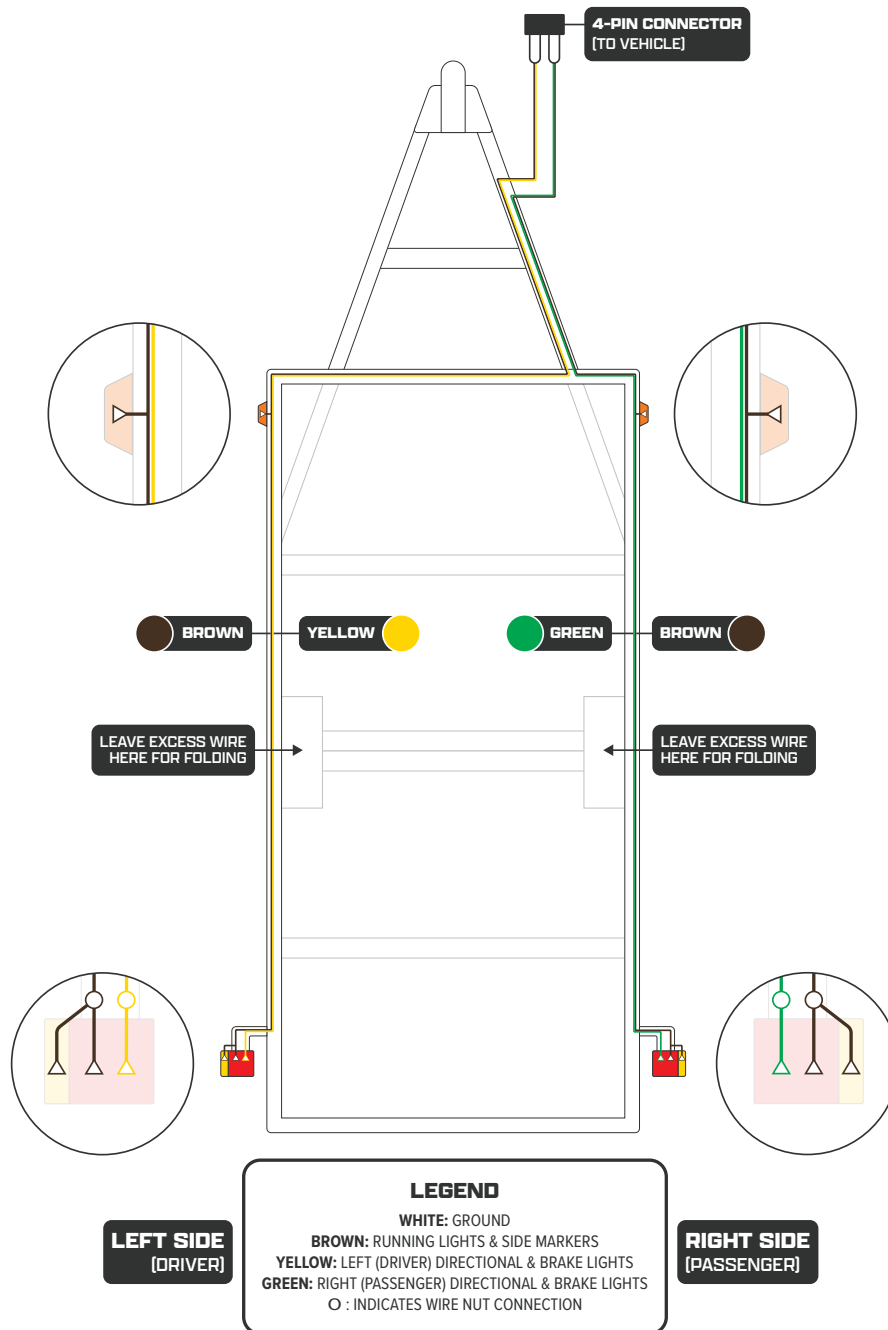
NOTE: Only a qualified technician should perform the electrical service that may be needed to enable your particular make/model vehicle to power the trailer's 12 volt DC lighting system. This is beyond the scope of this manual.

1. Have a qualified service technician install a 4-wire, 12V DC connector in

the trunk area of your vehicle.

2. Locate the vehicle's connector plug near the trailer's coupler and lay out the trailer's wiring harness wires.

NOTE: The diagram below shows the trailer right side up. Keep in mind, your trailer should still be upside down at this point to make wiring installation easier, so the left and right sides appear reversed.



3. Connect the brown wire to the vehicle's left taillight by stripping, wrapping, and taping the connector plug.
4. Connect the yellow wire to the vehicle's left signal and brake light wire.
5. Connect the green wire to the vehicle's right signal and brake light wire.
6. Attach the white ground wire at the plug end of the wiring harness to the small mounting hole in the tow bar using a 1/4" (6 mm) tapping screw (not included). See FIG F.



FIG F

7. Run the yellow/brown wires along the inside of the front cross member to the side running light on the front left (driver) side rail.
8. Run the green/brown wires along the inside of the front cross member to the side running light on the front right (passenger) side rail.
9. Connect the wire lead from the two side running lights to the brown wire on each side of the trailer using the quick connects. Insert wire clips along the entire length of the side rails of the trailer to secure the wiring harness.

10. Run the yellow/brown wires to the left taillight, leaving some excess wire where the frame folds.
11. Strip approximately 3/4" (19 mm) of insulation off the ends of the wires.
12. Connect the yellow wire to the yellow wire of the left (driver) taillight.
13. Connect the brown wire to the brown wire of the left (driver) taillight.
14. Run the green/brown wires to the right (passenger) taillight, leaving some excess wire where the frame folds.
15. Strip approximately 3/4" (19 mm) of insulation off the ends of the wires.
16. Connect the green wire to the green wire of the right (passenger) taillight.
17. Connect the brown wire to the brown wire of the right (passenger) taillight.

NOTE: Use dielectric grease on each connector for corrosion prevention.

18. Turn over the whole trailer assembly so the tires touch the ground.
- CAUTION!** Make sure you get the assistance of 1 or 2 additional people. Do not try to flip the trailer on your own.
19. Even though the wheels were already mounted to the hubs, you **must** tighten all the lug nuts to 85-90 ft.-lb. of torque.

STEP 10: COUPLER

1. Attach the coupler (1) to the coupler tongue top plate (2) using two sets of M12 x 80 hex bolts (4), M12 nuts (5). When installing the front bolt, thread it through the center link of the safety chain (3) to secure the chain (3) to the coupler (1).
2. Lock the coupler trigger using its locking pin and R-pin.
3. Pull up and down on the coupler (1) to see if the coupler (1) fits snug on the vehicle's ball hitch. There must not be any play between the ball and the coupler (1). If there is play, tighten the adjustment nut (FIG G) until snug. If the nut is too tight, the coupler handle will not lock.

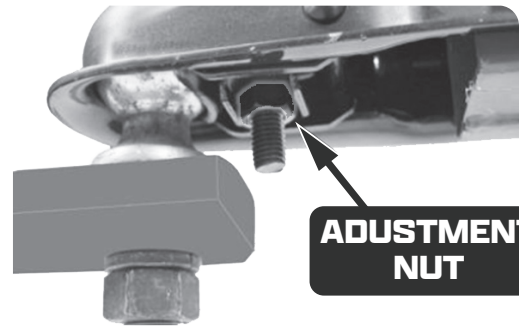
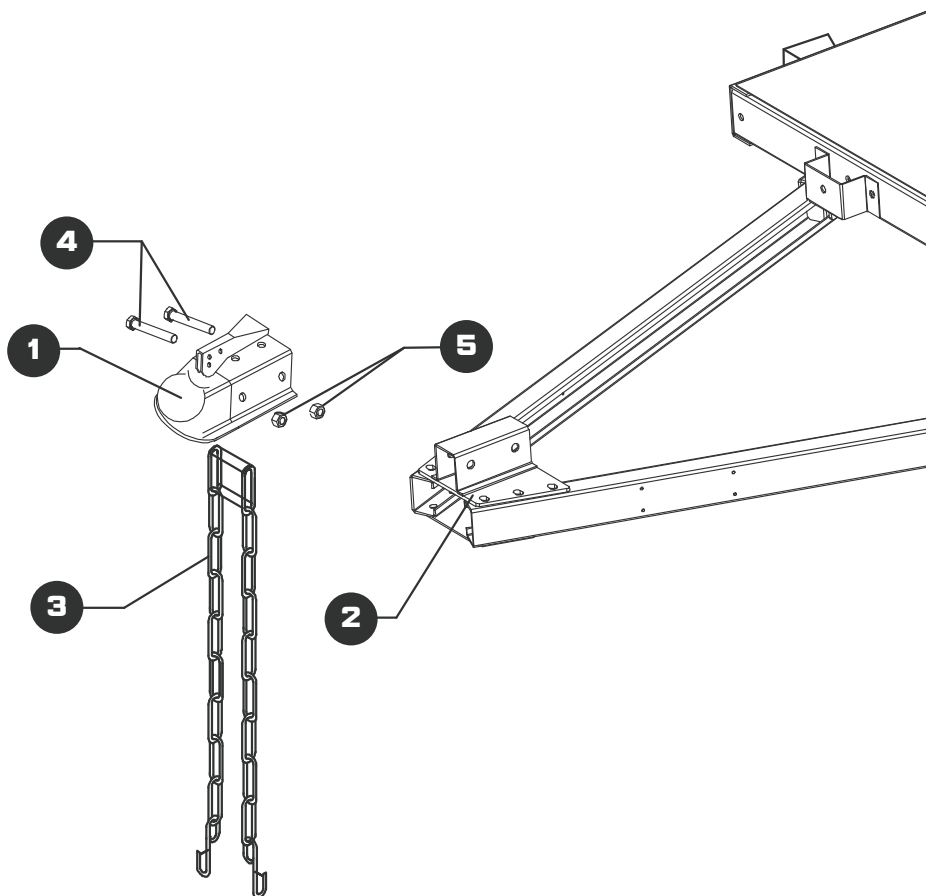


FIG G

ITEM N°	DESCRIPTION	PART N°	QTY
1	Coupler	204-0003	1
2	Coupler tongue top plate	100-0171	1
3	Safety chain	208-0002	1
4	M12 x 80 hex bolt	210-0043	2
5	M12 nylock nut	210-0015	2



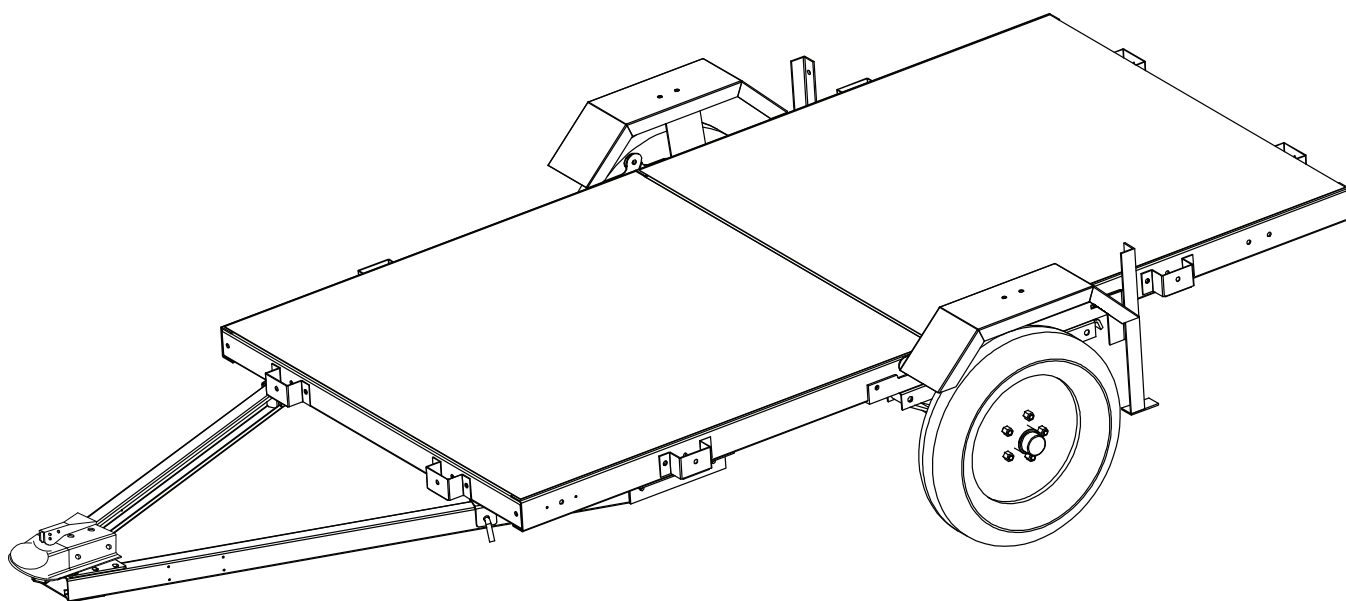
**WARNING! RISK OF TRAILER**

UNCOUPLING: The coupler provided with your trailer requires a 2-inch (5.08 cm) hitch ball. Use only a 2-inch (5.08 cm) hitch ball on the tow vehicle towing this trailer.

NOTE: To reduce friction between the ball hitch and

the coupler, apply a layer of multipurpose lithium grease over the ball hitch. Wipe off any excess grease when not in use to avoid staining clothes.

The assembly of your new 4 ft. x 8 ft. Folding Trailer is now complete. Please ensure that you continue to follow safety and maintenance instructions in this manual, and always practice safe towing.



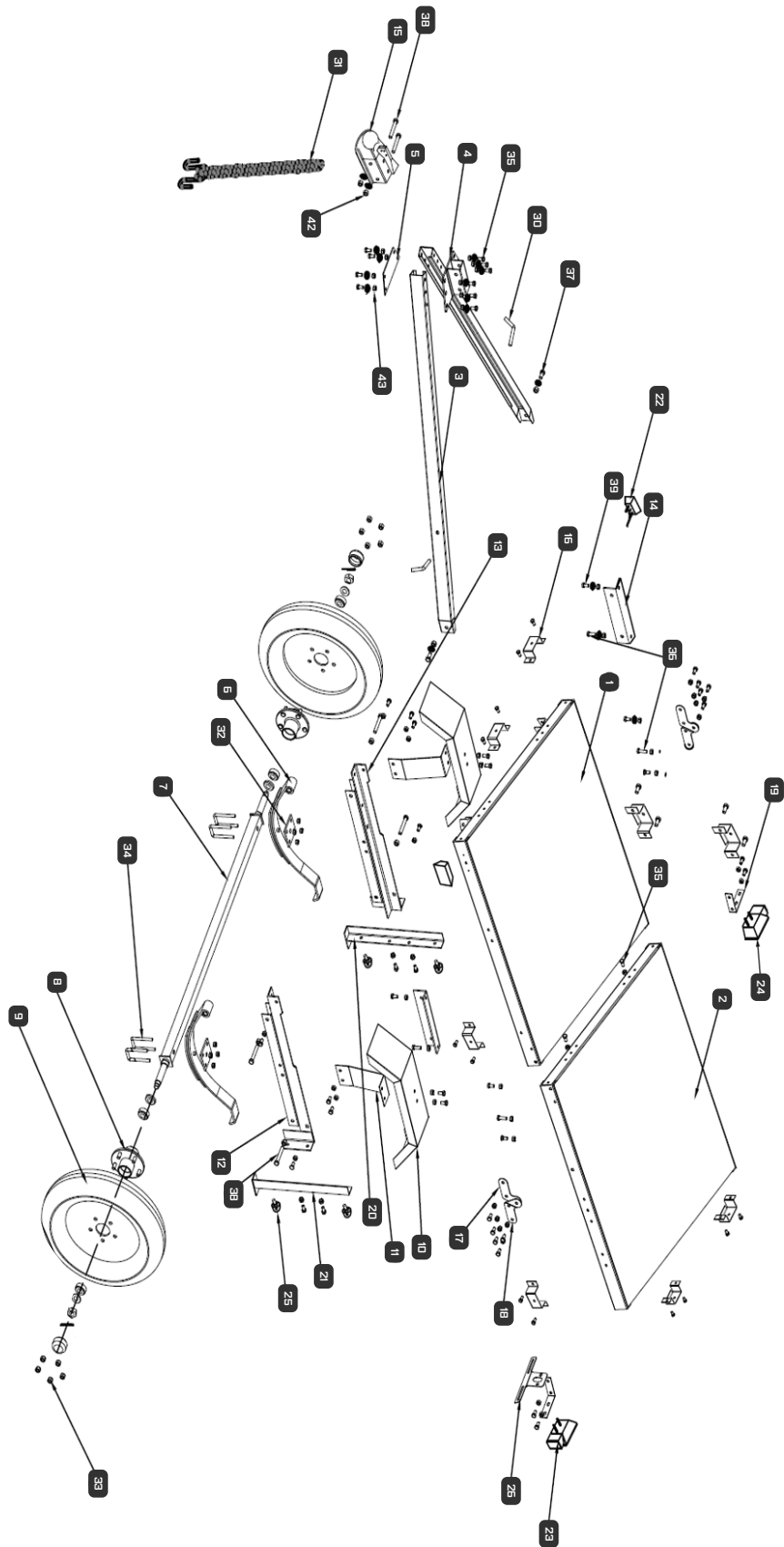
PARTS & SCHEMATICS

PARTS LIST

ITEM N°	DESCRIPTION	PART N°	QTY
1	FRONT FRAME WELDMENT	100-0168	1
2	REAR FRAME WELDMENT	100-0169	1
3	TONGUE WELDMENT	100-0170	2
4	COUPLER TONGUE TOP PLATE	100-0171	1
5	TONGUE BOTTOM PLATE	100-0172	1
6	3-LEAF SPRING	219-0003	2
7	AXLE ASSEMBLY	310-0113	1
8	HUB ASSEMBLY	310-0078	2
9	TIRE & WHEEL	220-0044	2
10	FENDER	206-0037	2
11	FENDER BRACKET	100-0173	2
12	LEFT SPRING HANGER	100-0177	1
13	RIGHT SPRING HANGER	100-0178	1
14	TOW BAR CONNECT HANGER	100-0179	2
15	COUPLER	204-0003	1
16	STAKE POCKET	100-0180	8
17	FRONT FRAME DECK HINGE	100-0181	2
18	REAR FRAME DECK HINGE	100-0182	2
19	TAILLIGHT BRACKET	100-0183	2
20	RIGHT CASTER BRACKET	100-0184	1
21	LEFT CASTER BRACKET	100-0185	1
22	MARKER LIGHT	205-0069	2

ITEM N°	DESCRIPTION	PART N°	QTY
23	LEFT TAILLIGHT	205-0023	1
24	RIGHT TAILLIGHT	205-0024	1
25	CASTER	216-0007	4
26	LICENSE PLATE BRACKET	205-0037	1
27	TONGUE FRONT WIRE HARNESS	205-0070	1
28	FRAME LEFTHAND WIRE HARNESS	205-0071	1
29	FRAME RIGHTHAND WIRE HARNESS	205-0076	1
30	L-PIN	207-0031	2
31	SAFETY CHAIN	208-0002	1
32	SPRING PLATE	100-0035	2
33	LUG NUTS	210-0012	10
34	M10 X 95 X 38 U-BOLT	210-0154	4
35	M10 X 20 HEX BOLT	210-0135	60
36	M10 X 30 HEX BOLT	210-0093	4
37	M12 X 25 HEX BOLT	210-0138	2
38	M12 X 80 HEX BOLT	210-0043	6
39	M10 X 25 CARRIAGE BOLT	210-0001	4
42	M12 NYLOCK NUT	210-0015	8
43	M10 NYLOCK NUT	210-0003	76
44	M4 X 65 PHILIPS PAN BOLT	210-0153	4
45	M14 X 85 HEX BOLT	210-0092	4
46	M4 NYLOCK NUT	210-0108	4
47	M6 LOCK NUT	210-0167	4
48	M14 NYLOCK NUT	210-0064	4
49	R-PIN	207-0012	2

SCHEMATICS



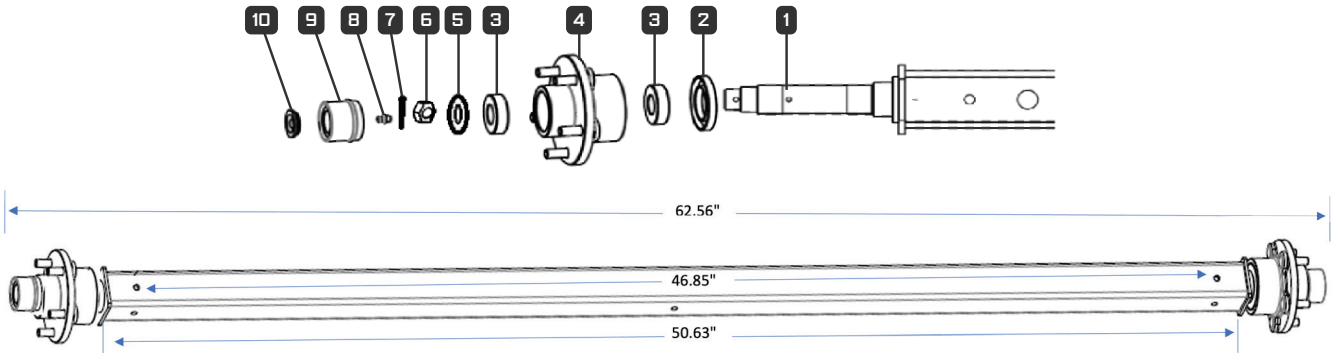
AXLE ASSEMBLY PARTS & SCHEMATICS

PARTS LIST: AXLE ASSEMBLY

ITEM N°	DESCRIPTION	PART N°	QTY
1	AXLE WELDMENT	300-0074	1
2	SEAL (25 X 52 X 15)	217-0019	2

ITEM N°	DESCRIPTION	PART N°	QTY
3	BEARING (30205)	202-0004	4
4	HUB ASSEMBLY	310-0078	2
5	M22 WASHER	210-0165	2
6	M22 X 1.5 CASTLE NUT	210-0166	2
7	COTTER PIN	207-0006	2
8	GREASE FITTING	229-0083	2
9	DUST CAP WITH HOLE	229-0067	2
10	RUBBER DUST CAP	229-0105	2

SCHEMATICS: AXLE ASSEMBLY



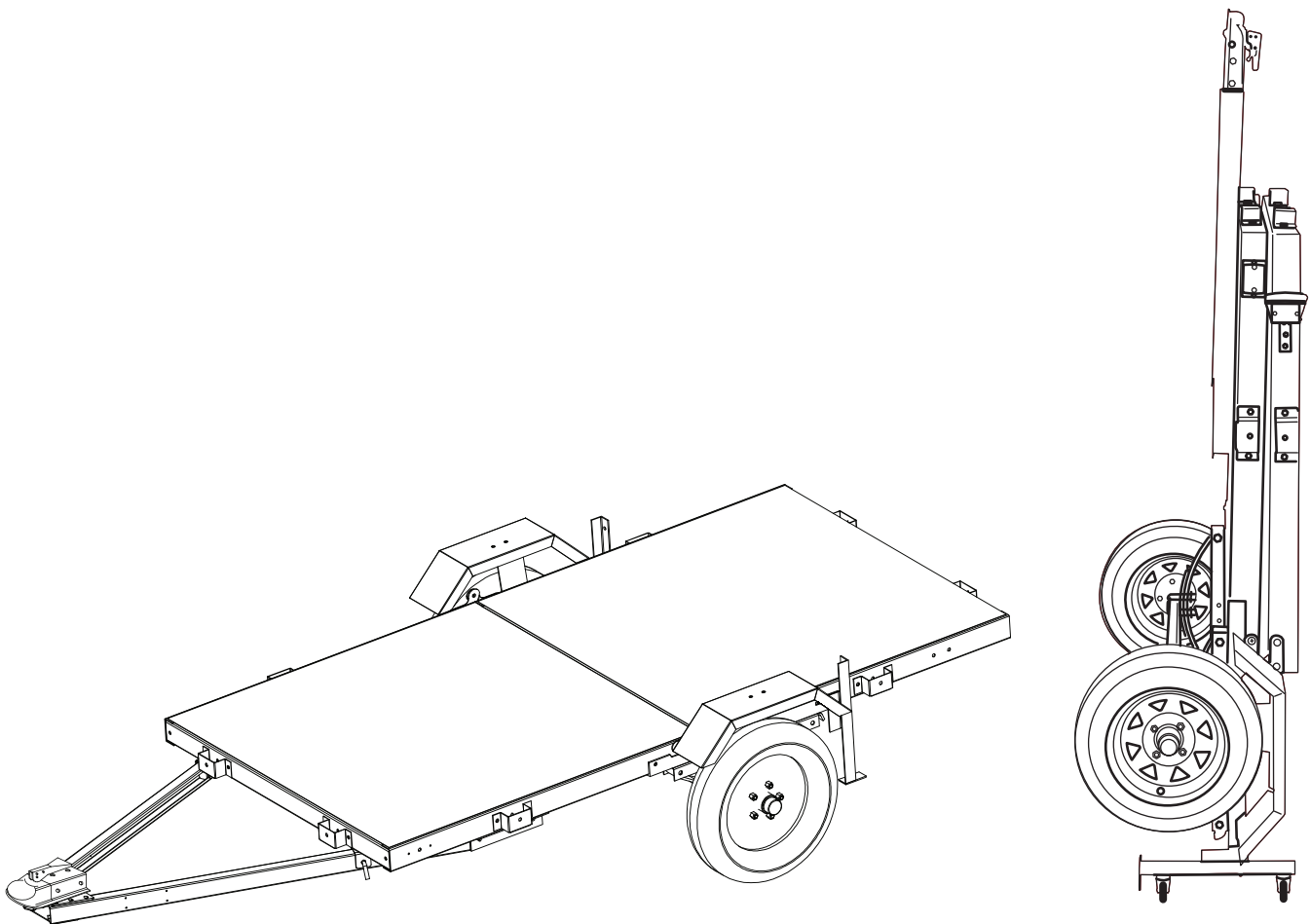


SÉRIE MFT4X8

REMORQUES PLIANTES 4' X 8'

MFT4X8 • MFT4X8G

MANUEL DE L'UTILISATEUR



REMARQUE : Si vous trouvez des pièces endommagées ou manquantes, **veuillez appeler le service à la clientèle Marlon ou contactez-nous via notre site internet.** Nous remplacerons toutes pièces endommagées ou manquantes gratuitement.
Veuillez ne pas retourner au magasin.

SERVICE À LA CLIENTÈLE 1 (888) 277-6960 | WWW.DK2.COM

GARANTIE

QUI EST COUVERT

Marlon Recreational Products Ltd. garanti à l'acheteur original que le produit sera exempt de défauts de fabrication et matériaux dans des conditions normales d'utilisation et de service pendant une période d'un (1) an à compter de la date de l'original achat. Si dans un délai d'un (1) an à compter de la date d'achat d'origine, ce produit fait défaut en raison d'un défaut matériel ou de fabrication, Marlon réparera, remplacera ou fournira toute pièce défectueuse couverte à notre gré. La Garantie Marlon est de 1 an sur les pièces seulement sans main-d'oeuvre. Marlon n'aura aucune autre responsabilité liée au produit. Marlon n'autorise aucune partie, y compris ses distributeurs ou revendeurs agréés, pour offrir toute autre garantie au nom de Marlon Recreational Products Ltd.

CETTE GARANTIE NE COUVRE PAS OU NE S'APPLIQUE PAS À :

- a) Dommages au produit dus à une mauvaise utilisation, une mauvaise manipulation et un abus.
- b) Installation, entretien et entreposage inappropriés.
- c) Les pièces consommables telles que les écrous et boulons, les goupilles et les ressorts, les composants de câblage et de commutateur, les tuyaux hydrauliques et raccords, dents de coupe, chaînes de coupe, lames de coupe, accélérateurs, courroies et pneus.
- d) Usure normale.
- e) Dommages indirects et dommages

accessoires tels que dommages aux personnes ou aux biens.

ENREGISTREMENT DE VOTRE PRODUIT DK2 BY MARLON

Veillez prendre une minute pour enregistrer votre produit DK2 by Marlon en ligne sur www.detailk2.com/warranty ou en appelant le service client au **1 (888) 277-6960**.

PROCÉDURE D'OBTENTION D'UNE AUTORISATION DE RETOUR

Au cours de la période de garantie d'un (1) an, l'acheteur du produit DK2 by Marlon doit informer un distributeur ou revendeur agréé du défaut réclamé et fournir une preuve d'achat d'origine. À ce moment, la validité de la réclamation sera déterminée et un numéro d'autorisation de retour de marchandise (RGA) sera émis si elle est approuvée. Aucun produit retourné ne sera accepté sous garantie s'il n'est pas accompagné d'un numéro RGA émis par Marlon.

RÉSOLUTION POUR UN PRODUIT DK2 BY MARLON DÉFECTUEUX

Marlon Recreational Products Ltd. réparera ou remplacera, à sa discrétion, le produit défectueux ou les pièces couvertes par ce garantie. Le produit ou les pièces DK2 by Marlon réparés seront expédiés à l'acheteur par la suite. Tous les frais de transport seront à la charge de l'acheteur. Tous les dommages en transit seront à la charge du transporteur ou aux risques et périls de l'acheteur.

ENREGISTREMENT DE REMORQUE

La remorque DK2 by Marlon **DOIT ÊTRE CERTIFIÉ** après assemblage par un garage local agréé et qui détient une licence pour fournir des certificats de sécurité pour les véhicules routiers.

Afin d'enregistrer votre remorque auprès du Department of Motor Vehicles ou du Ministère des Transports et obtenir une plaque d'immatriculation, vous devrez avoir soit le formulaire NVIS au Canada ou le certificat d'origine du fabricant aux États-Unis rempli et signé par le concessionnaire vous transférant la propriété. Ce formulaire se trouve dans la trousse du manuel de votre remorque. Prenez ce formulaire avec l'acte de vente (reçu de caisse) et le certificat de sécurité à votre service local des véhicules à moteur ou le bureau des licences du ministère des Transports. Une fois que vous aurez payé les frais appropriés, vous recevrez un titre ou un enregistrement et une plaque d'immatriculation à attacher à la remorque.

RÉSIDENTS DES ÉTATS-UNIS POUR CONTACTER L'ADMINISTRATION NATIONALE DE LA SÉCURITÉ ROUTIÈRE

Si vous pensez que votre véhicule présente un défaut susceptible de provoquer un accident, des blessures ou de décès, informez immédiatement la National Highway Traffic Safety Administration (NHTSA) en plus d'aviser Marlon® Recreational Products Ltd.

Si la NHTSA reçoit des plaintes similaires ou constate des défauts de sécurité dans un groupe de véhicules, elle peut ouvrir une enquête ou ordonner une campagne de rappel et de réparation. Cependant, la NHTSA ne peut pas être impliquée dans

des problèmes individuels entre vous, votre revendeur ou Marlon Recreational Products Ltd.

Pour contacter la NHTSA, vous pouvez soit appeler la ligne de sécurité automobile sans frais au 1 (800) 424-9393 (ou 366-0123 dans la région de Washington, DC) ou écrivez à : NHTSA, U.S. Department of Transportation, Washington, DC 20590.

TABLE DES MATIÈRES




GARANTIE	26
ENREGISTREMENT DE REMORQUE	27
CARACTÉRISTIQUES TECHNIQUES	28
SÉCURITÉ	29
CONVENTIONS DE SÉCURITÉ	29
LISTE DE CONTRÔLE DE SÉCURITÉ IMPORTANTE	29
ENTRETIEN D'ÉCLAIRAGE ET DE CÂBLAGE	30
POUR VÉRIFIER LE CÂBLAGE DU VÉHICULE :	31
POUR VÉRIFIER LE CÂBLAGE DE LA REMORQUE :	31
CHARGEMENT DE VOTRE REMORQUE	31
ATTELAGE DE REMORQUE	32
POUR AJUSTER LE COUPLEUR À LA BOULE :	32
ASSEMBLAGE DE ROULEMENT DET DE MOYEU DE ROUES	33
RÉEMBALLAGE DES ROULEMENTS DE ROUES	33
ASSEMBLAGE	34
Outils requis	34
ÉTAPE 1 : CADRE	34
ÉTAPE 2 : TIMON	35
ÉTAPE 3 : SUPPORTS DE RESSORT	36
ÉTAPE 4 : AILE	37
ÉTAPE 5 : RESSORT ET ESSIEU	38
ÉTAPE 6 : PNEUS	39
ÉTAPE 7 : PRÉPARER VOTRE REMORQUE POUR LE REMORQUAGE	41
ÉTAPE 8 : ENSEMBLE D'ÉCLAIRAGE	42
ÉTAPE 9 : CÂBLAGE	43
ÉTAPE 10 : COUPLEUR	45
PIÈCES ET SCHÉMAS	47
LISTE DES PIÈCES	47
SCHÉMA	48
PIÈCES ET SCHÉMAS DE L'ASSEMBLAGE D'ESSIEU	49
LISTE DES PIÈCES : ASSEMBLAGE DE L'ESSIEU	49
SCHÉMAS : ASSEMBLAGE DE L'ESSIEU	49

CARACTÉRISTIQUES TECHNIQUES

	MFT4X8	MFT4X8G
CAPACITÉ DE CHARGE UTILE	1 383 lb (627 kg)	1 379 lb (625 kg)
PNBV	1 720 lb (780 kg)	
ROUES ET PNEUS	5.30-12, 550 kPa (80 PSI), jante 12 x 5	
MATÉRIAU	Acier avec revêtement électrostatique résistant UV	Acier galvanisé à chaud, galvanneal (recuit galvanique)
RAILS	Acier tubulaire (vendu séparément)	
REVÊTEMENT DE SOL	Acier massif, texturé antidérapant	
ÉCLAIRAGE	Pré-câblé, connexion rapide D.O.T. DEL avec filage plat à 4 fils et connecteur	
COUPLEUR [ATTELAGE]	2 po (~5 cm), classe II 3 500 lb (1 587 kg)	
DIMENSIONS DE LA PLATE-FORME	96 po (L) x 48 po (l) / 243,8 cm (L) x 121,9 cm (l)	
DIMENSIONS	135 po (L) x 62,3 po (l) x 20 po (H) / 342,9 cm (L) x 158,2 cm (l) x 50,8 cm (H)	
POIDS	337 lb (152 kg)	341 lb (154 kg)
DIMENSIONS D'EXPÉDITION	48,4 po (L) x 62,2 po (l) x 7,9 po (H) / 122,9 cm (L) x 158 cm (l) x 20,1 cm (H)	
POIDS D'EXPÉDITION	376 lb (170 kg)	381 lb (172 kg)
GARANTIE	1 an limitée	

SÉCURITÉ

CONVENTIONS DE SÉCURITÉ

-  **DANGER!** Ceci indique une situation dangereuse qui, si elle n'est pas évitée, pourrait entraîner la mort ou des blessures graves.
-  **AVERTISSEMENT!** Cela indique une situation dangereuse qui, si elle n'est pas évitée, pourrait entraîner des blessures légères ou modérées.
-  **ATTENTION!** Ces informations sont importantes pour une utilisation correcte de votre machine. Non-respect cette instruction pourrait endommager votre machine ou vos biens.


INFORMATIONS SUPPLÉMENTAIRES ET CHANGEMENTS POTENTIELS

Nous nous réservons le droit d'interrompre, de modifier et d'améliorer nos produits à tout moment sans notification ou obligation à l'acheteur. Les descriptions et spécifications contenues dans ce manuel étaient en vigueur au moment de l'impression. L'équipement décrit dans ce manuel peut être en option. Certaines illustrations peuvent ne pas s'appliquer à votre machine.

LISTE DE CONTRÔLE DE SÉCURITÉ IMPORTANTE

Les remorques ne sont généralement pas utilisées tous les jours. Votre remorque peut être entreposée pendant de longues périodes entre les utilisations, il est donc très important de vérifier soigneusement toutes les composantes avant chaque utilisation. Suivre ces instructions simples maximisera la durée de vie de votre remorque et vous aidera à transporter des


marchandises en toute sécurité.


 **ATTENTION! N'ABUSEZ PAS DE LA REMORQUE :** Les performances de la remorque sont optimales si vous suivez les directives énoncées dans ce manuel. Ne pas surtaxer la remorque à faire un travail pour lequel elle n'est pas conçue. Connaissez votre remorque; apprendre ses applications et limites.


1. Assurez-vous que le véhicule tracteur ainsi que l'attelage sont capables de tirer la remorque. Vérifier le manuel du propriétaire de votre véhicule sous la rubrique : remorquage.
2. Inspectez la remorque et toutes ses pièces avant chaque utilisation.
3. Vérifiez le fonctionnement de toutes les lumières et feu. Les feux de positions et lumières arrières sont obligatoires sur une remorque.
4. Vérifiez que les boulons de roue sont bien serrés. Serrez à 80 lb-pi. Resserrer après les 50 premiers milles (80 km).
5. Vérifiez la pression des pneus. Maximum 80PSI (552KPA) lors du transport du maximum nominal charge.
6. Regraisser les roulements de roue tous les 2 000 miles (3 200 km) ou au moins une fois tous les ans.
7. Vérifiez que le coupleur de remorque est solidement fixé sur la boule de remorque. La boule de remorque doit être une balle de 2 po-5,08 cm.
8. Assurez-vous que la chaîne de sécurité est attachée à la remorque et au véhicule tracteur.
9. Si votre remorque est équipée d'un


kit latéral en option, assurez-vous que tous les boulons et goupilles sont en place avant transportés votre remorque.


10. Ne dépassez pas le poids nominal brut du véhicule (G.V.W.R.) indiqué sur la remorque étiquette de série/de certification.
11. Équilibrez et sécurisez la charge sur la remorque. Voir la section « Chargement de la remorque » dans ce manuel.
12. La lubrification du coupleur, des ressorts et du mécanisme d'inclinaison doit être effectuée périodiquement pour arrêter la corrosion et garder les pièces en mouvement librement.


 **DANGER! TENIR LES ENFANTS À L'ÉCART :** Assurez-vous que les enfants sont tenus à une distance sécuritaire de la zone d'utilisation de la remorque.


 **DANGER! NE JAMAIS S'ASSEOIR OU MONTER SUR LA REMORQUE :** Des blessures graves ou la mort pourraient survenir.


 **DANGER! EXERCER UNE EXTRÊME PRUDENCE LORS DE L'INCLINAISON DE LA REMORQUE :** Il existe de nombreuses zones de la remorque où des blessures peuvent survenir si elles ne sont pas utilisées correctement. La remorque peut s'incliner rapidement et de manière inattendue pendant le processus de chargement et de déchargement. L'option d'inclinaison ne doit pas être utilisée pour les charges lourdes.


 **DANGER!** Des rampes doivent être utilisées pour le chargement d'objets lourds.


 **DANGER!** Ne roulez pas avec la remorque en position inclinée.


 **DANGER!** Ne chargez pas plus d'un véhicule tout-terrain sur cette remorque.

 **DANGER!** Si la remorque est mal fixée au véhicule, elle risque de se détacher du véhicule et tomber.

 **DANGER!** Fixez la remorque au véhicule tracteur avant le transport. S'assurer l'attelage est verrouillé et les chaînes de sécurité sont attachées à la remorque et au véhicule.

 **DANGER!** Sécurisez correctement votre cargaison dans la remorque et conformément aux lois locales.

 **DANGER!** Lorsque vous conduisez, ne dépassez pas la limite de vitesse. Le temps de freinage peut être considérablement plus longtemps lorsqu'un véhicule tracte une remorque chargée.

 **DANGER!** Toute modification apportée à la remorque ou à des pièces de la remorque annulera la garantie et dégage Marlon® Recreational Products Ltd. de toute responsabilité pour les dommages, blessures ou accidents encourus.

ENTRETIEN D'ÉCLAIRAGE ET DE CÂBLAGE

 **DANGER! UTILISEZ UNIQUEMENT DES PIÈCES ET ACCESSOIRES D'ÉQUIPEMENT D'ORIGINE :** Consultez Marlon au **1 (888) 277-6960** pour les accessoires recommandés. L'utilisation d'accessoires inappropriés peut entraîner des risques ou des blessures.

LÉGENDE DE CÂBLAGE				
SYMBOLE	COULEUR	DESCRIPTION	OPÉRATION	
G	Fil vert	Côté passager (droite)	Signal côté droit	Frein
B	Fil brun	Feu de route	Feux arrière	Feux latéraux jaune
Y	Fil jaune	Côté conducteur (gauche)	Signal gauche	Frein
W	Fil blanc	Mise en terre	Mise en terre de la remorque	

REMARQUE :


Le feu d'arrêt s'éteint du côté qui signale.
 Filament inférieur (lumière plus brillante) = Freinage et signal.
 Filament supérieur (variateur de lumière) = feux de position

POUR VÉRIFIER LE CÂBLAGE DU VÉHICULE :

Vous aurez besoin d'un testeur de lumière 12v. Fixez la pince du testeur au fil de terre de la prise du véhicule. Touchez ensuite la tige du testeur dans l'un des contacts de la fiche du véhicule. Allume le fonctionnement correspondant du véhicule, c'est-à-dire les feux de position. Cela allumera la lumière du testeur si le câblage du véhicule est correct. Suivez cette même procédure pour les feux de signalisation et de freinage.

POUR VÉRIFIER LE CÂBLAGE DE LA REMORQUE :

Une fois que vous avez confirmé que la prise de remorque du véhicule fonctionne correctement, branchez la remorque sur votre véhicule. Pour procéder au test de chacune des lumières et des fils d'alimentation à l'aide de votre lumière, testez 12v. Suivez la légende et le schéma de câblage pour tester chaque fil correspondant pour l'alimentation lorsque le feu de la remorque ne fonctionne pas.

 **ATTENTION!** Assurez-vous toujours de vérifier vos feux de freinage, de positionnement et de signalisation avant chaque utilisation. Assurez-vous que toutes vos connexions sont

solides et que tout le câblage est en bon état.



ATTENTION! Un fil dénudé, dénudé ou pincé causera un court-circuit dans la remorque, ce qui le fusible du véhicule à sauter. Une terre solide est nécessaire pour que vos lumières fonctionnent correctement. Tous les contacts doivent être au métal nu. Les couvertures légères doivent être bien entretenues et maintenues propres. Assurez-vous que vos lumières sont toujours visibles, non obstruées par votre charge.

CHARGEMENT DE VOTRE REMORQUE

- Distribuez le poids uniformément.
- Centrez la charge sur l'essieu, en gardant environ 10 % du poids sur le timon. (Si les roues ne sont pas sur une traverse, vous devrez ajouter du bois au sol pour soutenir chaque essieu).
- Centrez la charge d'un côté à l'autre.
- Sécurisez toujours votre cargaison dans la remorque correctement et conformément aux lois locales.



AVERTISSEMENT! Ne montez pas votre charge dans la remorque à plus de 3 pieds -1 mètres. Une charge plus élevée affectera la maniabilité de la

remorque en raison de la résistance accrue au vent. Cela peut provoquer des mouvements violents, accidents et blessures graves.



AVERTISSEMENT! CAPACITÉ DE LA REMORQUE

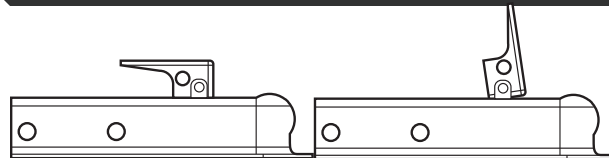
- Ne surchargez jamais votre remorque. Chaque remorque a une charge utile maximale qui ne doit pas être dépassée. La surcharge de votre remorque pourrait également causer de graves dommages à votre remorque tout comme au véhicule. Veuillez vous reporter à l'étiquette de série/de certification de votre remorque située sur le même cadre de la remorque pour les détails de capacité.
- Le poids nominal brut du véhicule (P.N.B.V.) est le poids de la remorque + le poids maximum de charge utile que la remorque peut transporter. Le poids de la remorque et la charge utile ne doivent pas dépasser cette cote de poids.
- Assurez-vous que toute charge transportée dans votre remorque ne dépasse pas le cadre de votre remorque. Ne placez jamais les charges d'un seul côté.



AVERTISSEMENT! POIDS SUR LE TIMON (PÔLE)

- Le poids au timon correspond à 10 % de la charge (cela n'inclut pas le poids de la remorque).
- La charge est répartie de manière à ce que 90 % de la charge se trouve sur l'essieu et 10 % sur le timon.

ATTELAGE DE REMORQUE



FERMÉ

DÉBLOQUÉ

POUR AJUSTER LE COUPLEUR À LA BOULE :

Placez l'attache et le timon sur la boule de remorquage de 2 pouces - 5,08 cm de votre véhicule. Relevez le levier de verrouillage, poussez sur le verrou de canal et tournez l'écrou pour serrer ou desserrer l'attelage. Un bon réglage est obtenu lorsque l'attelage est aussi serré que possible sur la boule et que le levier de verrouillage peut encore être ouvert et fermé.



ATTENTION! Avant de tirer votre remorque, assurez-vous de vérifier la capacité de votre attelage sur votre véhicule (ne dépassez jamais cette capacité ou la capacité de remorquage). La remorque DK2® by Marlon® est équipée d'un attelage de 2 pouces - 5,08cm et doit être utilisée avec boule de remorquage de 2 pouces - 5,08cm. Assurez-vous que l'attelage de la remorque est complètement engagé sur la boule d'attelage.

ASSEMBLAGE DE ROULEMENT DET DE MOYEU DE ROUES

REMARQUE : Aucune pièce n'est plus critique pour performance fiable de votre remorque que les roulements, courses, et joints. Pour vous assurer que votre remorque fonctionne de façon fiable, vous devez inspecter les roulements, les courses, et joints d'étanchéité et remplir de graisse les roulements tous les 12 mois ou 2 000 milles (3 200 km). C'est facilement trouvable sur internet en recherchant "Roulements de roue de remorque entretien-maintenance".

RÉEMBALLAGE DES ROULEMENTS DE ROUES

1. Desserrez les boulons de roue (ne les retirez pas)
2. Soutenez la remorque de manière à ce que la roue ne touche pas le sol (Pied d'appui - cric de plancher - blocs)
3. Retirez les écrous et la roue
4. Démontez le moyeu
5. Nettoyez le moyeu et les roulements avec de la graisse pour roulements de roue
6. Réinstallez les roulements, l'écrou et la goupille



AVERTISSEMENT! NE PAS trop serrer l'écrou. Le moyeu doit tourner librement et sans jeu.

7. Re-installez les boulons et la roue (serrez à 80 lb)

ASSEMBLAGE**OUTILS REQUIS**

CLÉ / DOUILLE	16 mm, 17 mm, 18 mm, 19 mm, 20 mm, 21 mm
----------------------	--

PINCES

TOURNEVIS PHILLIPS

MAILLET EN CAOUTCHOUC

REMARQUE : Les pièces de la remorque sont identifiées en se tenant à l'arrière de la remorque en regardant vers l'avant. Les pièces du châssis de la remorque sont étiquetées • Ne serrez aucun écrou ni boulon tant que la remorque n'est pas entièrement assemblée. Vérifiez périodiquement le serrage de tous les écrous et boulons. • Serrez les écrous de roue à un couple de 85 à 90 pi-lb (115,24 à 122,02 Nm) après avoir assemblé la remorque, après les 20, 50 et 100 premiers kilomètres (30, 80, 160 kilomètres).

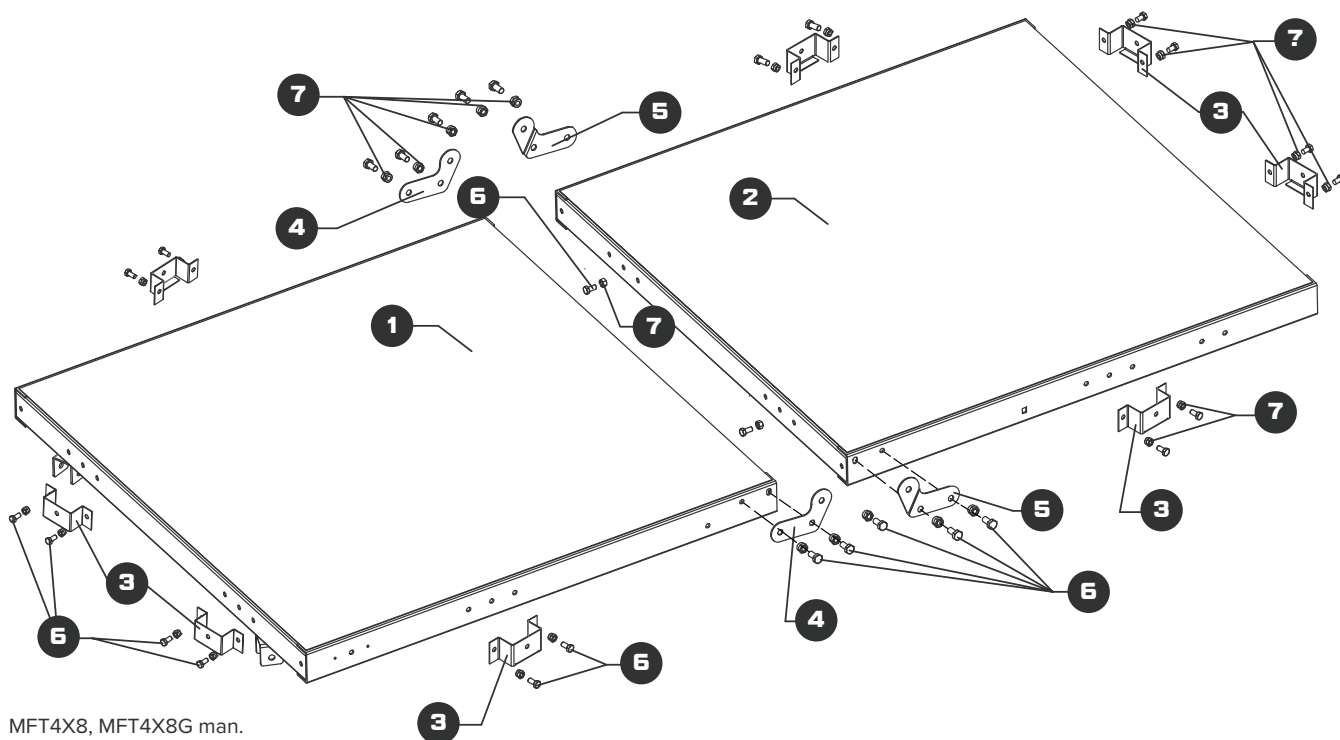
ÉTAPE 1 : CADRE

Posez le cadre plateforme avant (1) et le cadre plateforme arrière (2) comme indiqué. Notez l'emplacement des trous des feux de position dans les rails latéraux avant.

1. Utilisez des boulons hexagonaux M10 x 20 (6), des écrous M10 (7) pour monter les huit supports à piquets (3) sur la remorque comme indiqué.
2. Utilisez des boulons hexagonaux M10 x 20 (6), des écrous M10 (7) pour monter les charnières avant (4) sur le cadre avant (1) et les charnières arrière (5) à l'arrière cadre (2).

3. Connectez les deux cadres avec des boulons hexagonaux M10 x 20 (6), des écrous M10 (7).

N° D'ARTICLE	DESCRIPTION	N° DE PIÈCE	QTÉ
1	Cadre avant soudé	100-0168	1
2	Cadre arrière soudé	100-0169	1
3	Support de piquet	100-0180	8
4	Charnière de pont du cadre avant	100-0181	2
5	Charnière de pont du cadre arrière	100-0182	2
6	Boulon hexagonal M10 x 20	210-0135	28
7	Écrou nylock M10	210-0003	28



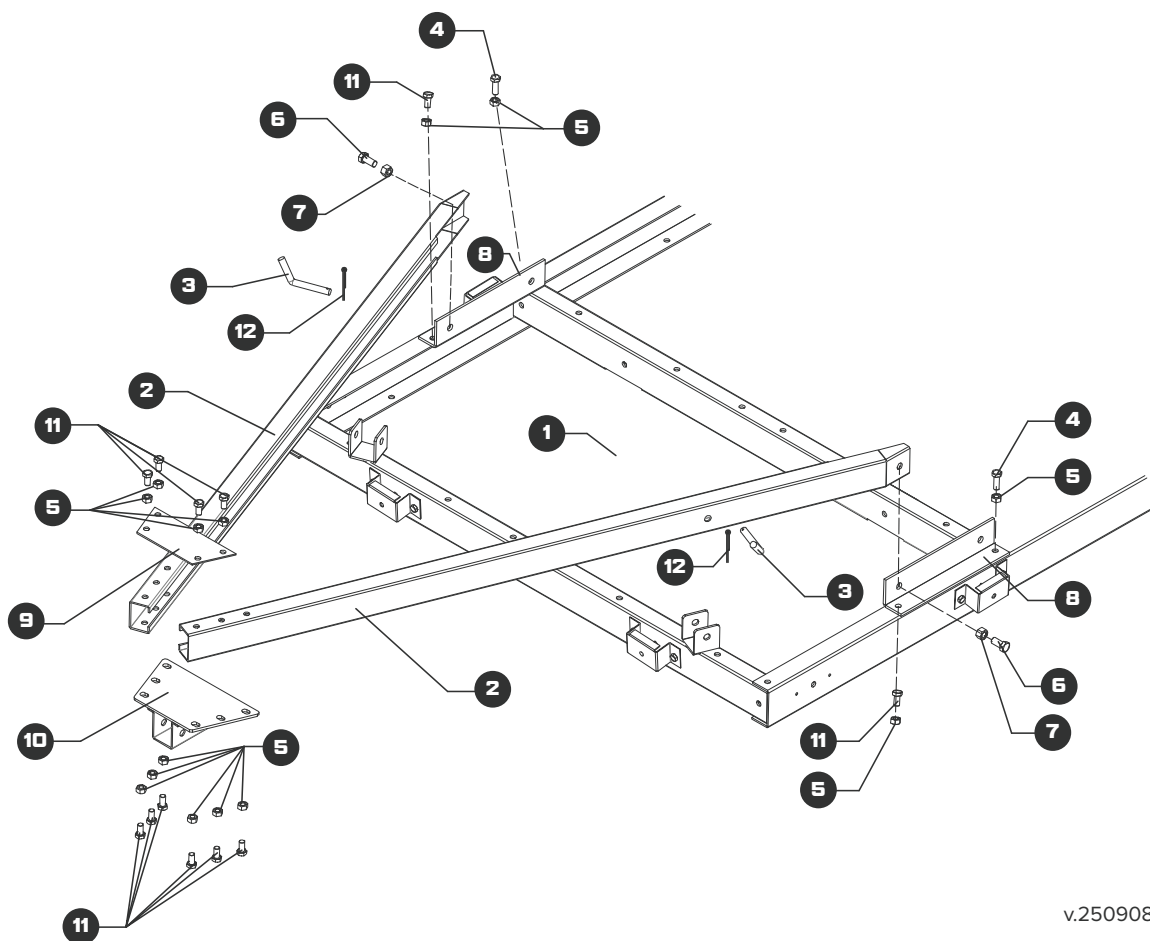
ÉTAPE 2 : TIMON

1. Retournez le cadre avant (1) pour qu'il soit à l'envers.
2. Positionnez le timon (2) sur le cadre avant (1), en insérant le timon (2) dans le support en U sur la traverse avant.
3. Utilisez la goupille en L (3) pour traverser le support en U et verrouillez-la ensuite avec la goupille en R (12).
4. Utilisez des boulons hexagonaux M10 x 30 (4), des écrous M10 (5) et des rondelles M10 (13), ainsi que des boulons hexagonaux M12 x 25 (6), des écrous M12 (7) pour connecter les extrémités de la languette (2) aux supports de connexion de la barre de remorquage (8). Ne serrez pas les boulons tant que l'assemblage n'est

pas terminé.

5. Connectez la plaque inférieure du timon (9) et la plaque supérieure du timon du coupleur (10) comme indiqué avec des boulons hexagonaux M10 x 20 (11), des écrous M10 (5).

N° D'ARTICLE	DESCRIPTION	N° DE PIÈCE	QTÉ
1	Cadre avant soudé	100-0168	1
2	Timon soudé	100-0170	2
3	Goupille en L	207-0031	2
4	Boulon hexagonal M10 x 30	210-0093	2
5	Écrou nylock M10	210-0003	14
6	Boulon hexagonal M12 x 25	210-0138	2
7	Écrou nylock M12	210-0015	2
8	Support de connexion du timon	100-0179	2
9	Plaque inférieure du timon	100-0172	1
10	Plaque supérieure du timon au coupleur	100-0171	1
11	Boulon hexagonal M10 x 20	210-0135	12
12	Goupille en R	207-0012	2

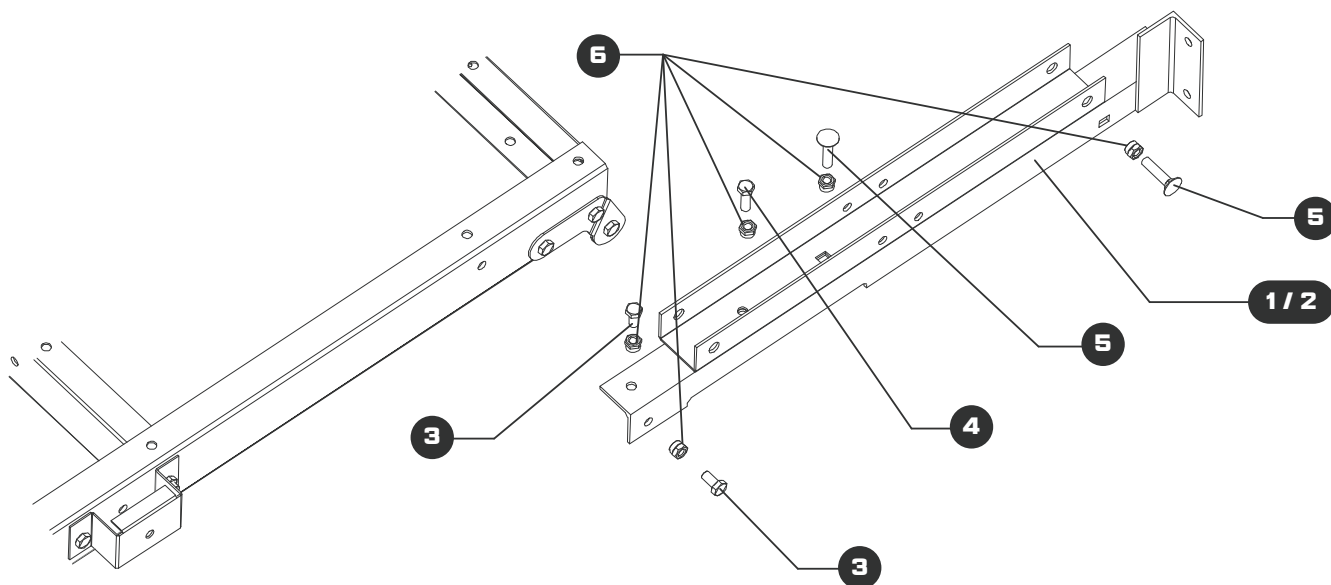


ÉTAPE 3 : SUPPORTS DE RESSORT

Installez les supports de ressort (1, 2) sur les côtés de la remorque avec des boulons hexagonaux M10 x 20 (3), des écrous M10 (6) à l'avant, des boulons hexagonaux M10 x 30 (4), des écrous M10 (6) au milieu et des boulons de carrosserie M10 x 25 (5), des écrous M10 (6) pour l'arrière. Serrez à la main pour plus tard dans le processus d'assemblage, cela fixera vos moitiés de

cadre.

N° D'ARTICLE	DESCRIPTION	N° DE PIÈCE	QTÉ
1	Support de ressort gauche	100-0177	1
2	Support de ressort droit	100-0178	
3	Boulon hexagonal M10 x 20	210-0135	4
4	Boulon hexagonal M10 x 30	210-0093	2
5	Boulon de carrosserie M10 x 25	210-0001	4
6	Écrou nylock M10	210-0003	10



ÉTAPE 4 : AILE

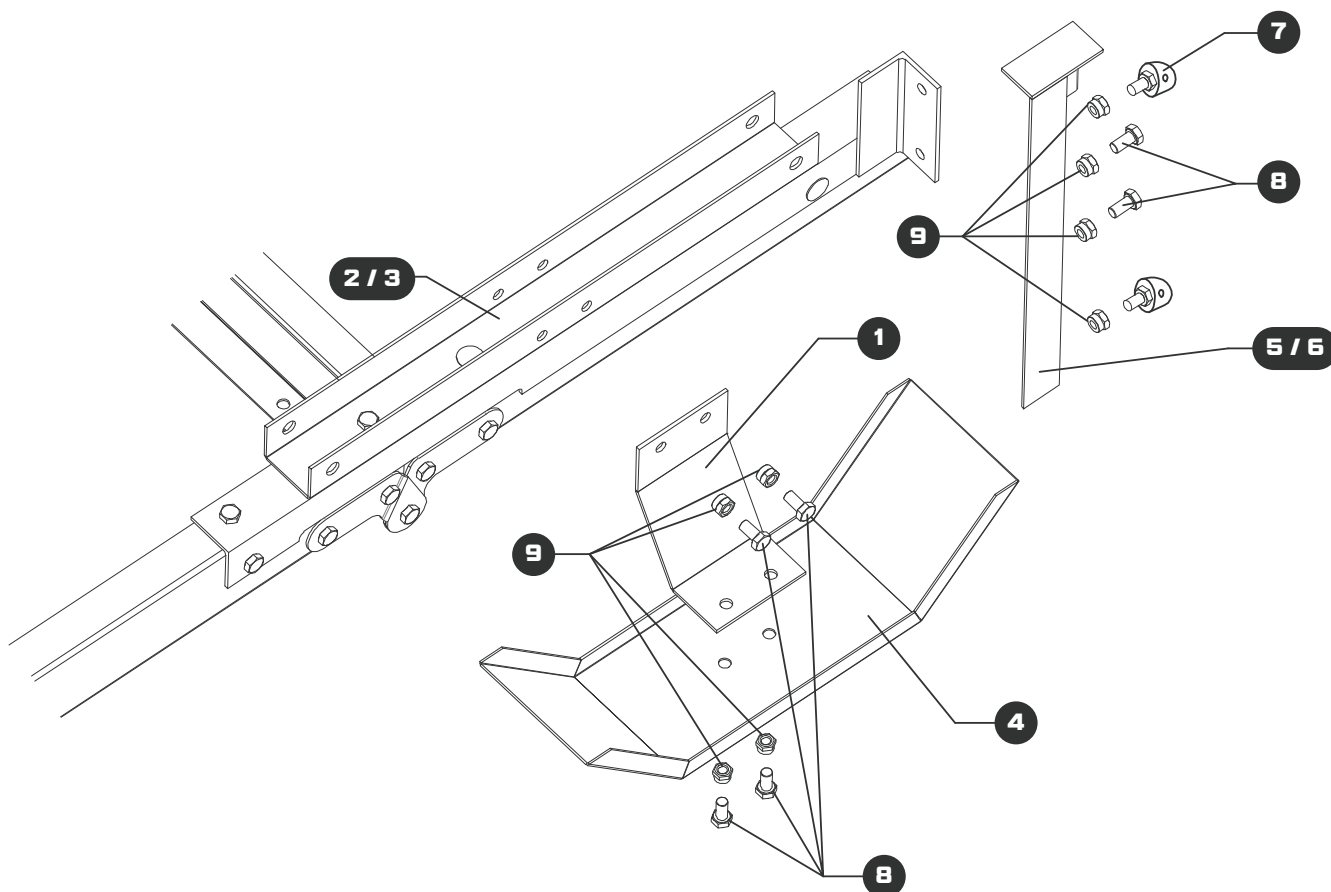
REMARQUE : vous devrez surélever le lit (cadre) pour avoir suffisamment d'espace pour fixer les ailes et les supports de roulettes.

1. Joignez les supports des ailes (1) aux supports des ressorts (2, 3) avec des boulons hexagonaux M10 x 20 (8), des écrous M10 (9).
2. Joignez les ailes (4) aux supports des ailes (1) avec des boulons hexagonaux M10 x 20 (8), des écrous M10 (9).

REMARQUE : les trous sur le côté du bord des ailes doivent être orientés vers la remorque.

3. Joignez les supports de roulettes (5, 6) aux supports à ressort (2, 3) avec des boulons hexagonaux M10 x 20 (8), des écrous M10 (9).
4. Installez les roulettes (7) sur les supports de roulettes (5, 6) et fixez-les avec des écrous M10 (9).

N° D'ARTICLE	DESCRIPTION	N° DE PIÈCE	QTÉ
1	Support d'aile	100-0173	2
2	Support de ressort gauche	100-0177	1
3	Support de ressort droit	100-0178	1
4	Ailes	206-0037	2
5	Support de roulette droite	100-0184	1
6	Support de roulette gauche	100-0185	1
7	Roulette	216-0007	4
8	Boulon hexagonal M10 x 20	210-0135	12
9	Écrou nylock M10	210-0003	16

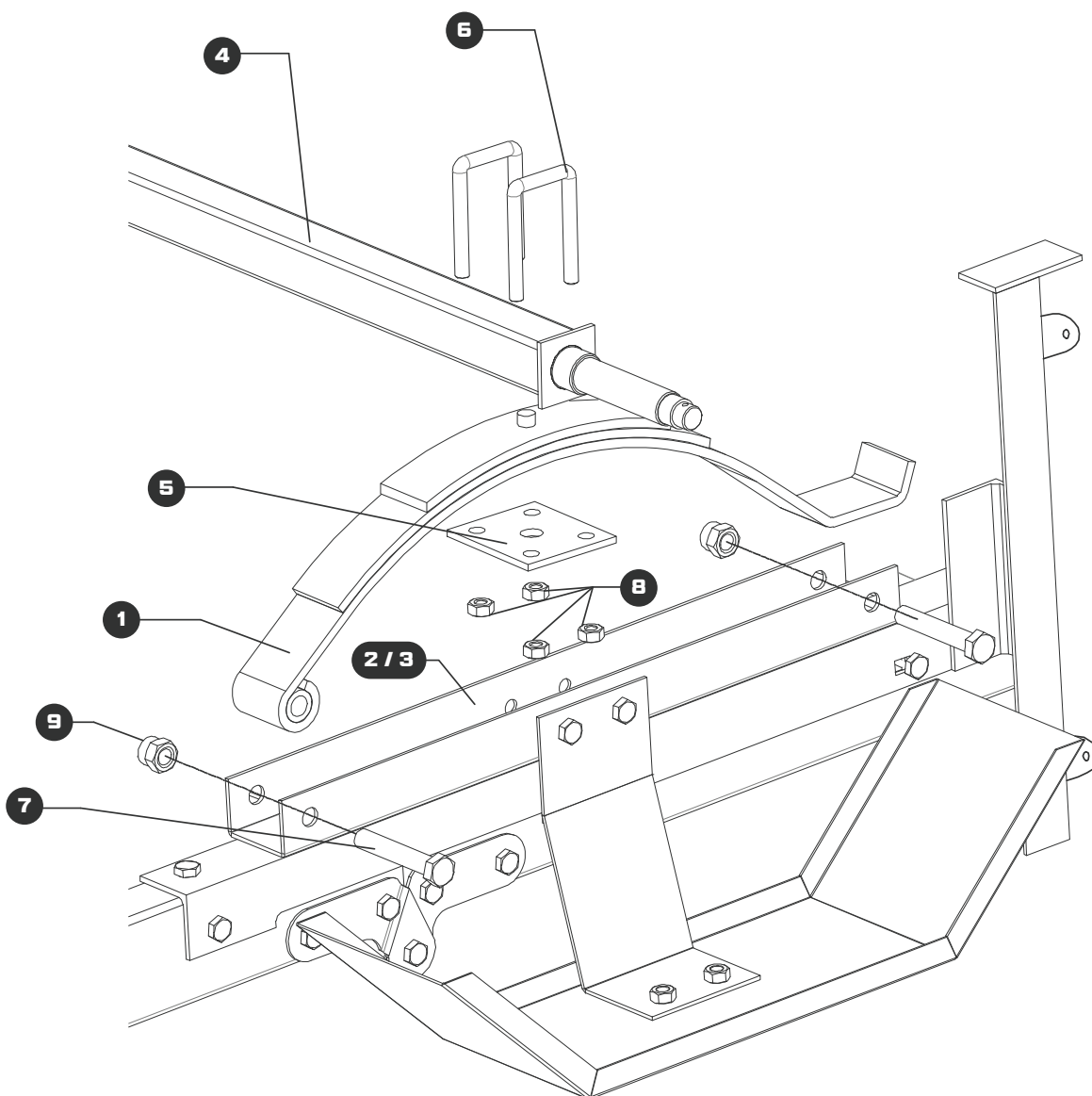


ÉTAPE 5 : RESSORT ET ESSIEU

1. Placez les ressorts à 3 lames (1) dans les supports de ressort (2, 3) avec l'œil tourné vers l'avant en direction du timon de la remorque. Fixez avec des boulons hexagonaux M14 x 85 (7) et des écrous M14 (9) en passant à travers les supports de ressort (2, 3) et les œillets du ressort ainsi qu'au-dessus de l'arrière du ressort.
2. Placez l'essieu (4) sur les ressorts à 3 lames (1) avec le trou de l'essieu au-dessus de la cheville du ressort. Fixez

l'essieu à chaque ressort avec des boulons en U M10 x 95 x 38 (6), des écrous M10 (8) à travers la plaque de ressort (5).

N° D'ARTICLE	DESCRIPTION	N° DE PIÈCE	QTÉ
1	Ressort à 3 lames	219-0003	2
2	Support de ressort gauche	100-0177	1
3	Support de ressort droit	100-0178	1
4	Essieu	310-0113	1
5	Plaque de ressort	100-0035	2
6	Boulon en U M10 x 95 x 38	210-0154	4
7	Boulon hexagonal M12 x 80	210-0043	4
8	Écrou nylock M10	210-0003	8
9	Écrou nylock M12	210-0015	4



ÉTAPE 6 : PNEUS

1. Repérez les deux pneus (1) et les moyeux (2). Pour un accès facile, assurez-vous que les graisseurs (11) sont orientés vers l'extérieur, à l'opposé du moyeu (2), comme illustré sur la FIG A.
2. Retirez le capuchon-poussière (3, 4) à l'aide d'un petit levier placé entre la bride du capuchon (3, 4) et la face du moyeu (2) (FIG B).
3. Retirez la goupille fendue (5), le roulement (6) et la rondelle (7). Voir la FIG C.
4. Retirez l'écrou crénelé (8) des

extrémités de l'essieu (9).

5. Faites glisser avec précaution le pneu (1) et le moyeu (2) sur l'essieu (9) avec les écrous de roue (10) orientés vers l'extérieur. Voir le dessin ci-dessous.

N° D'ARTICLE	DESCRIPTION	N° DE PIÈCE	QTÉ
1	Pneu et roue	220-0044	2
2	Ensemble moyeu	310-0078	2
3	Capuchon anti-poussière avec trou	229-0067	2
4	Capuchon anti-poussière en caoutchouc	229-0105	2
5	Goupille fendue	207-0006	2
6	Roulement (30205)	202-0004	2
7	Rondelle M22	210-0165	2
8	Écrou crénelé M22 x 1,5	210-0166	2
9	Essieu	310-0113	1
10	Écrou de roue	210-0012	10
11	Raccord de graissage	229-0083	2



FIG A

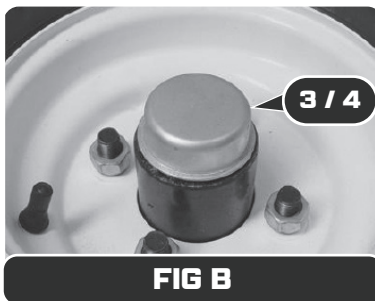


FIG B

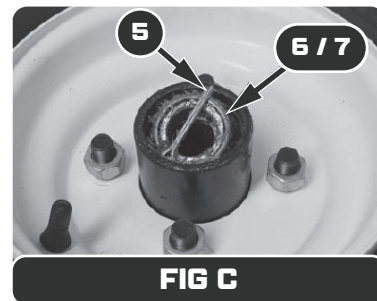
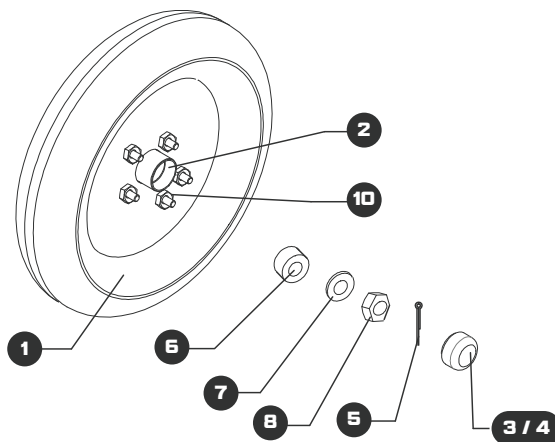
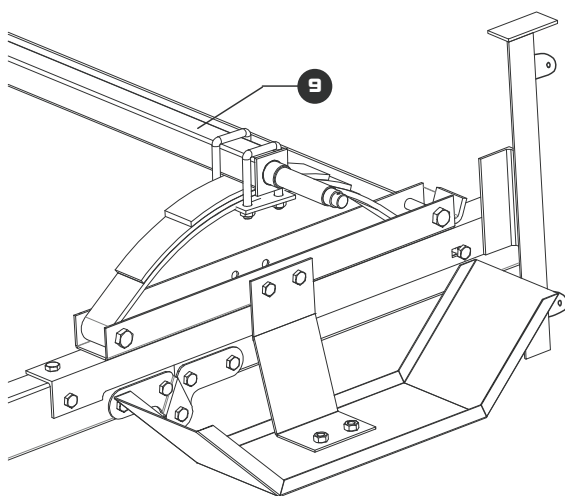
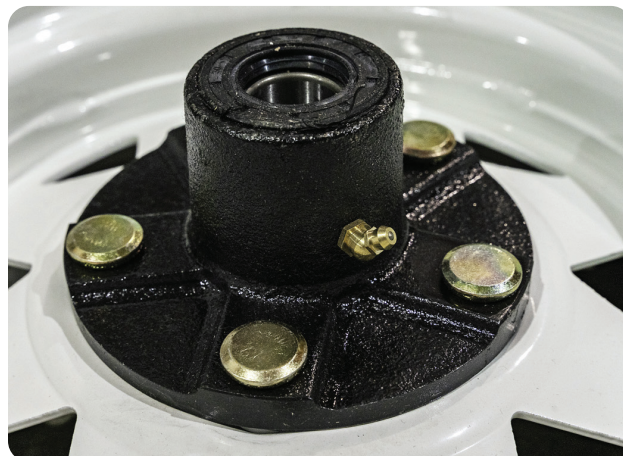
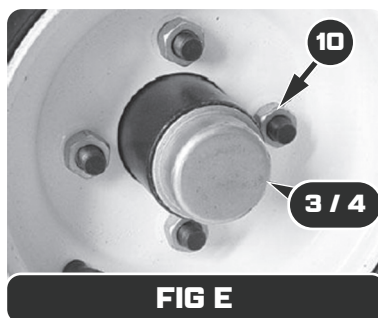
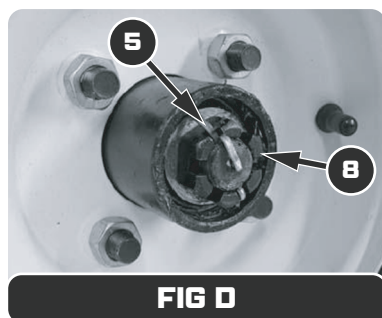


FIG C



6. Installez le roulement (6) avec le cône tourné vers l'intérieur en direction du moyeu (2).
7. Installez la rondelle (7) et l'écrou crénelé (8). Serrez l'écrou crénelé (8) tout en tournant le pneu/moyeu (1, 2). Serrez l'écrou crénelé (8) jusqu'à ce qu'il y ait une résistance en tournant le pneu/moyeu (1, 2).
8. Installez la goupille fendue (5) à travers l'écrou crénelé (8) et le trou dans l'extrémité de l'essieu (9). Si les trous ne sont pas alignés, desserrez légèrement l'écrou crénelé (8) - pas plus d'un crénelage - pour aligner les trous.
9. Écartez la goupille fendue (5) pour maintenir l'écrou crénelé (8). Voir FIG D.
10. Pomper environ 8 à 10 pompes d'un pistolet graisseur manuel dans le moyeu (2).
11. Installez fermement le capuchon anti-poussière (3, 4) sur le moyeu (2) à l'aide d'un maillet en caoutchouc. Voir FIG E.
12. Répétez les étapes 2 à 11 pour l'autre pneu/moyeu (1, 2).
13. Pendant que la remorque est toujours à l'envers, passez à l'installation du câblage.



ÉTAPE 7 : PRÉPARER VOTRE REMORQUE POUR LE REMORQUAGE

! DANGER! AVANT LE REMORQUAGE
: Réinstallez et fixez toujours la quincaillerie qui a été retirée pour plier la remorque. Voir la remarque ci-dessous.

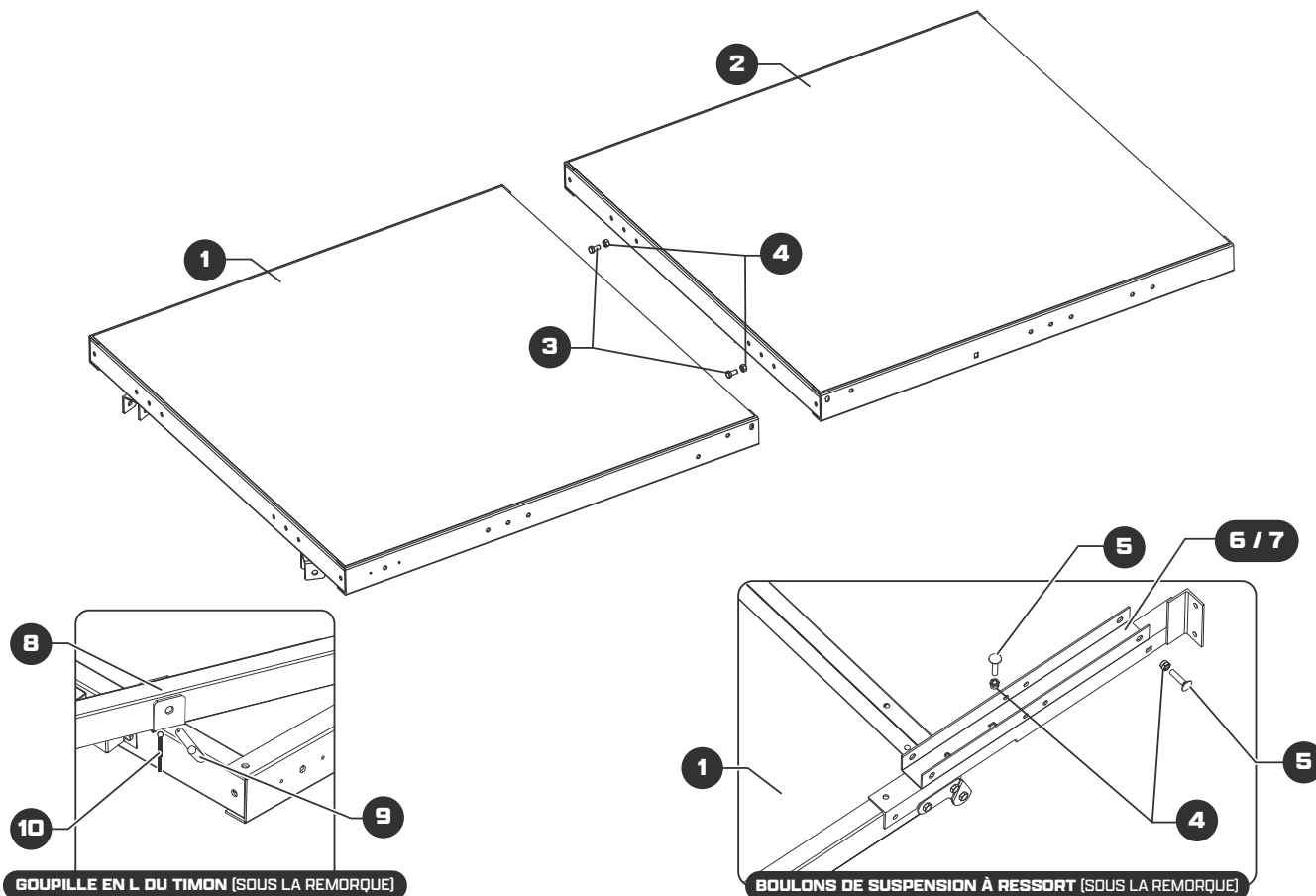
IMPORTANT : Les cadres avant et arrière (1, 2) et le timon sont fixés ensemble à 3 endroits :

- (i) Entre les deux cadres (1, 2) par deux boulons hexagonaux M10 x 20 (3), des écrous M10 (4).
- (ii) Supports de ressort (6, 7) par un total de quatre boulons de carrosserie M10 x 25 (5), des écrous M10 (4).
- (iii) Timon (8) par deux goupilles en L (9) et des goupilles en R (10).

Le retrait de ce matériel permet de replier la plateforme de la remorque.

! AVERTISSEMENT! APRÈS PLIAGE :
Utilisez une courroie pour accrocher et fixer les deux traverses sous les cadres avant et arrière (1, 2) pour vous assurer que la remorque ne se déplie pas pendant le transport.

N° D'ARTICLE	DESCRIPTION	N° DE PIÈCE	QTÉ
1	Cadre avant	100-0168	1
2	Cadre arrière	100-0169	1
3	Boulon hexagonal M10 x 20	210-0135	2
4	Écrou nylock M10	210-0003	6
5	Boulon de carrosserie M10 x 25	210-0001	4
6	Support de ressort gauche	100-0177	1
7	Support de ressort droit Langue	100-0178	1
8	Timon soudé	100-0170	1
9	Goupille en L	207-0031	2
10	Goupille en R	207-0012	2

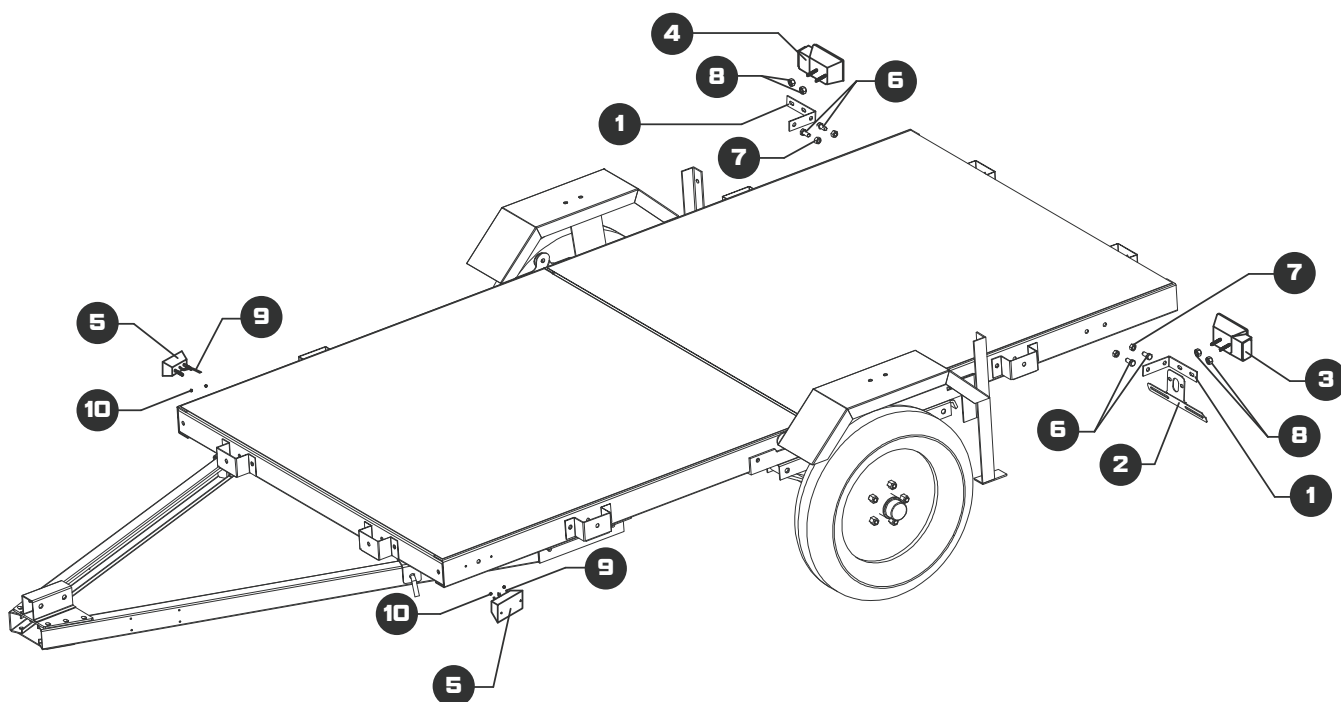


ÉTAPE 8 : ENSEMBLE D'ÉCLAIRAGE

1. Fixez les supports d'éclairage (1) aux rails latéraux arrière à l'aide de boulons hexagonaux M10 x 20 (7), d'écrous M10 (8).
2. Fixez le support de plaque d'immatriculation (2) avec le feu arrière gauche (3) au support de feu (1) sur le rail latéral gauche à l'aide d'écrous M6 (8).
3. Fixez le feu arrière droit (4) au support de feu (1) sur le rail latéral arrière droit à l'aide d'écrous M6 (8).
4. Fixez les marqueurs latéraux (5) aux rails latéraux avant à l'aide de vis Phillips M4 x 65 (9) et d'écrous M4 (10).

REMARQUE : La remorque doit encore être - à ce stade - à l'envers. L'image ci-dessous montre la position des composants d'éclairage sur une remorque à l'endroit pour plus de clarté.

N° D'ARTICLE	DESCRIPTION	N° DE PIÈCE	QTÉ
1	Support de feu arrière	100-0183	2
2	Support de plaque d'immatriculation	205-0037	1
3	Feu arrière gauche	205-0023	1
4	Feu arrière droit	205-0024	1
5	Feu de position	205-0069	2
6	Boulon hexagonal M10 x 20	210-0135	4
7	Écrou nylock M10	210-0003	4
8	Écrou de blocage M6	210-0167	4
9	Boulon à tête cylindrique cruciforme Phillips M4 x 65	210-0153	4
10	Écrou nylock M4	210-0108	4



ÉTAPE 9 : CÂBLAGE

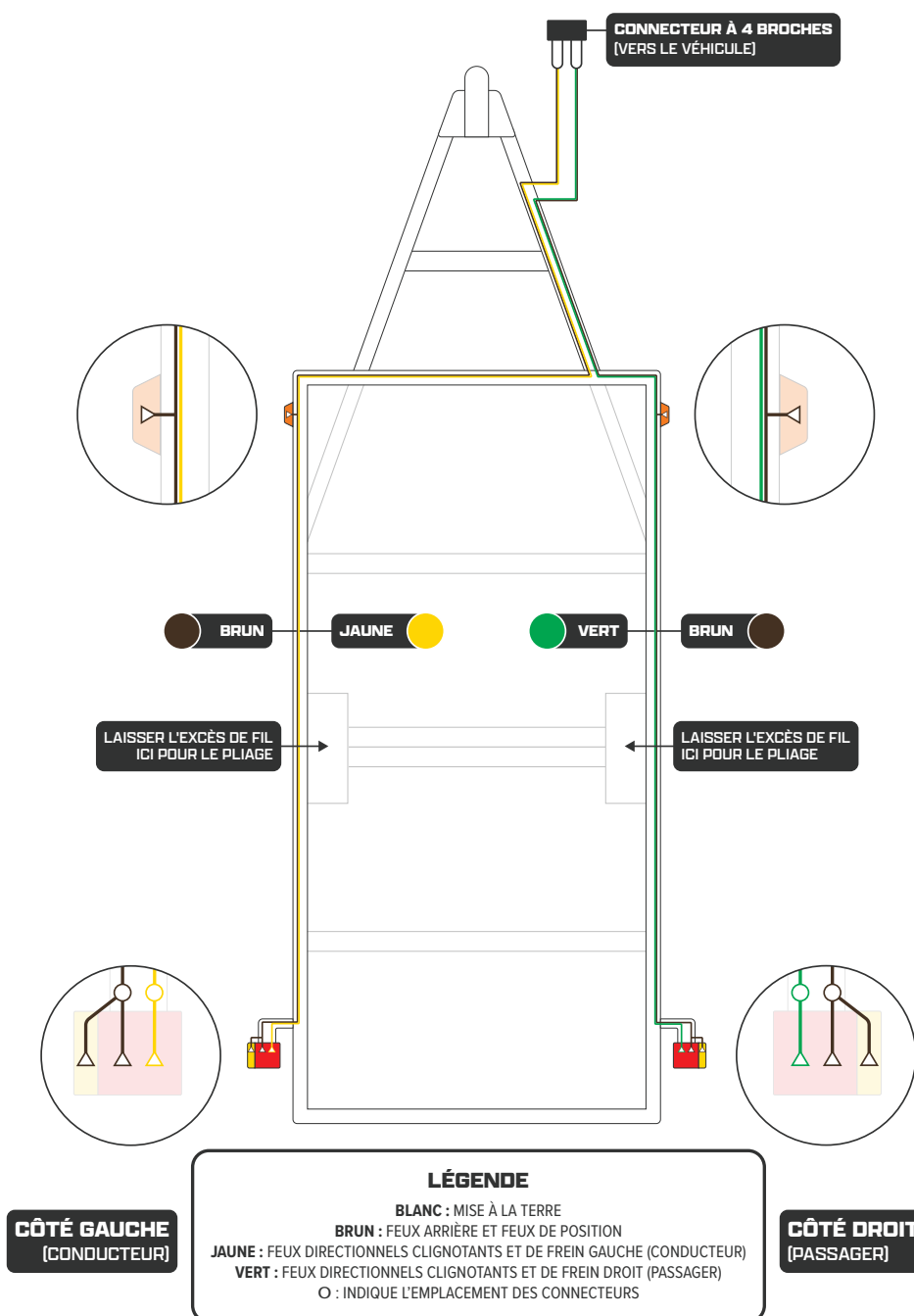
REMARQUE : Seul un technicien qualifié doit effectuer l'entretien électrique qui peut être nécessaire pour permettre à votre marque/modèle de véhicule d'alimenter le système d'éclairage de 12 V CC de la remorque. Cela dépasse la portée de ce manuel.

1. Demandez à un technicien de service qualifié d'installer un connecteur à 4 fils, 12 V DC dans le coffre de votre

véhicule.

2. Localisez la prise du connecteur du véhicule près de l'attelage de la remorque et disposez les fils du harnais de câbles de la remorque.

REMARQUE : Le schéma ci-dessous montre la remorque à l'envers. Gardez à l'esprit que votre remorque doit toujours être à l'envers à ce stade pour faciliter l'installation du câblage, de sorte que les côtés gauche et droit semblent inversés.



3. Branchez le fil brun sur le feu arrière gauche du véhicule en dénudant, en enroulant et en fixant la fiche du connecteur avec du ruban isolant adhésif.
4. Branchez le fil jaune au fil du clignotant gauche et du feu de freinage du véhicule.
5. Branchez le fil vert au fil du clignotant droit et du feu de freinage du véhicule.
6. Fixez le fil de mise à la terre blanc à l'extrémité de la prise du harnais de câbles au petit trou de montage de la barre de remorquage à l'aide d'une vis autotaraudeuse de 1/4 po (6 mm) (non fournie). Voir FIG F.

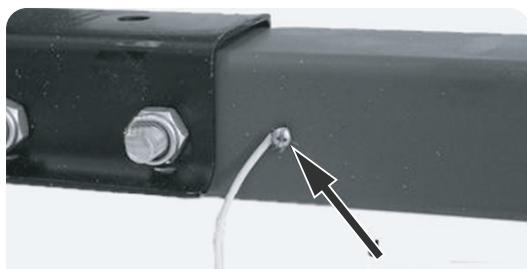


FIG F

7. Faites passer les fils jaune/brun le long de l'intérieur de la traverse avant jusqu'au feu de position latéral sur le rail avant gauche (côté conducteur).
8. Faites passer les fils vert/brun le long de l'intérieur de la traverse avant jusqu'au feu de position latéral sur le rail avant droit (côté passager).
9. Branchez le fil conducteur des deux feux de position latéraux au fil brun de chaque côté de la remorque à l'aide des connexions rapides.

Insérez des pinces métalliques sur toute la longueur des rails latéraux de la remorque pour fixer le harnais de câbles.

10. Faites passer les fils jaunes/bruns jusqu'au feu arrière gauche, en laissant un peu de fil en excès là où le cadre se replie.
11. Dénuder environ 19 mm (3/4 po) d'isolant aux extrémités des fils.
12. Branchez le fil jaune au fil jaune du feu arrière gauche (conducteur).
13. Connectez le fil brun au fil brun du feu arrière gauche (conducteur).
14. Passez les fils verts/bruns jusqu'au feu arrière droit (passager), en laissant un peu de fil en excès là où le cadre se replie.
15. Dénuder environ 19 mm (3/4 po) d'isolant aux extrémités des fils.
16. Branchez le fil vert au fil vert du feu arrière droit (passager).
17. Connectez le fil brun au fil brun du feu arrière droit (passager).

REMARQUE : Utilisez de la graisse diélectrique sur chaque connecteur pour éviter la corrosion.

18. Retournez la remorque complète de façon à ce que les pneus touchent le sol.



ATTENTION! Assurez-vous d'obtenir l'aide d'une ou deux personnes supplémentaires. N'essayez pas de retourner la remorque par vous-même.

19. Même si les roues sont déjà montées sur les moyeux, **vous devez serrer** tous les écrous de roue à 85-90 pi-lb. de couple.

ÉTAPE 10 : COUPLEUR

1. Fixez le coupleur (1) à la plaque supérieure du timon (2) à l'aide de deux jeux de boulons hexagonaux M12 x 80 (4), d'écrous M12 (5). Lors de l'installation du boulon avant, enflez-le dans le maillon central de la chaîne de sécurité (3) pour fixer la chaîne (3) au coupleur (1).
2. Verrouillez la détente du coupleur à l'aide de sa goupille de verrouillage et de sa goupille en R.
3. Tirez vers le haut et vers le bas sur le coupleur (1) pour voir si le coupleur (1) s'adapte parfaitement à la boule d'attelage du véhicule. Il ne doit pas y avoir de jeu entre la boule et le

coupleur (1). S'il y a du jeu, serrez l'écrou de réglage (FIG G) jusqu'à ce qu'il soit bien serré. Si l'écrou est trop serré, la poignée du coupleur ne se verrouillera pas.

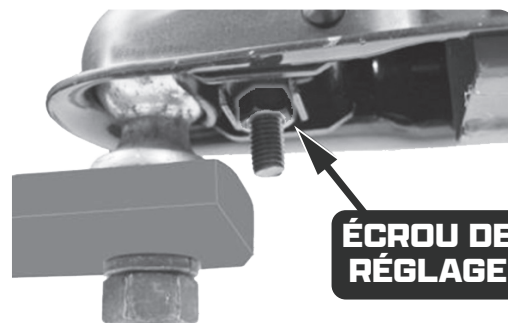
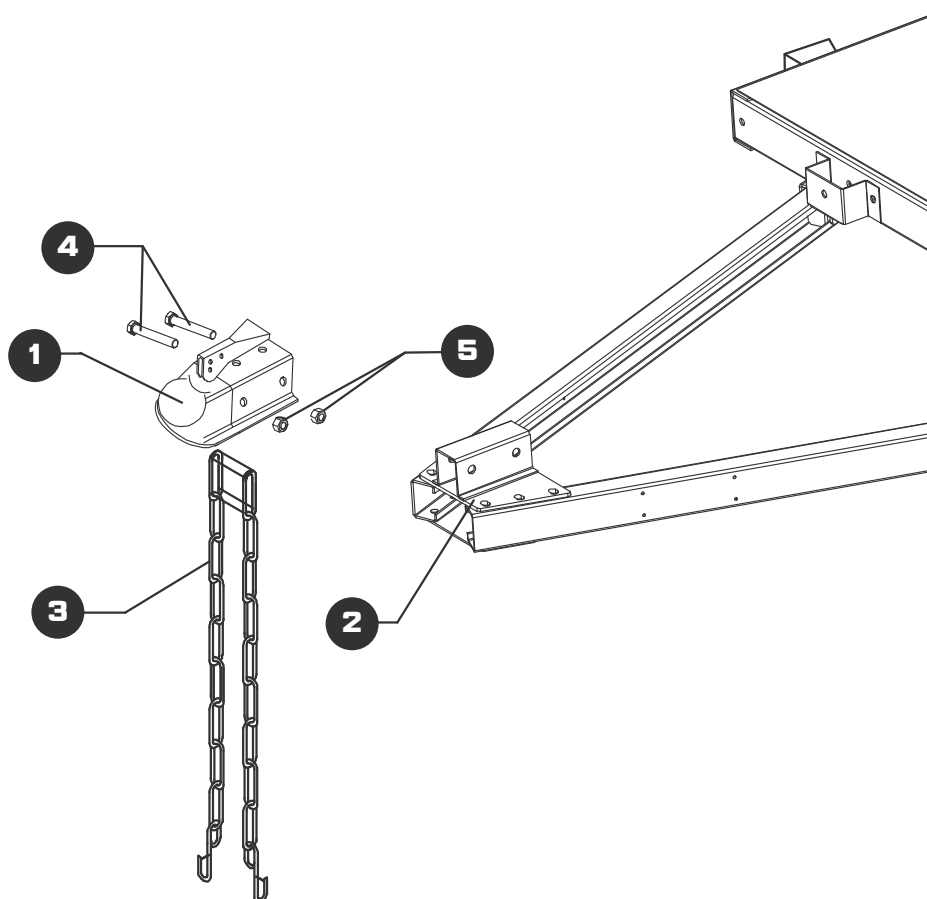


FIG G

N° D'ARTICLE	DESCRIPTION	N° DE PIÈCE	QTÉ
1	Coupleur	204-0003	1
2	Plaque supérieure du timon	100-0171	1
3	Chaîne de sécurité	208-0002	1
4	Boulon hexagonal M12 x 80	210-0043	2
5	Écrou nylock M12	210-0015	2

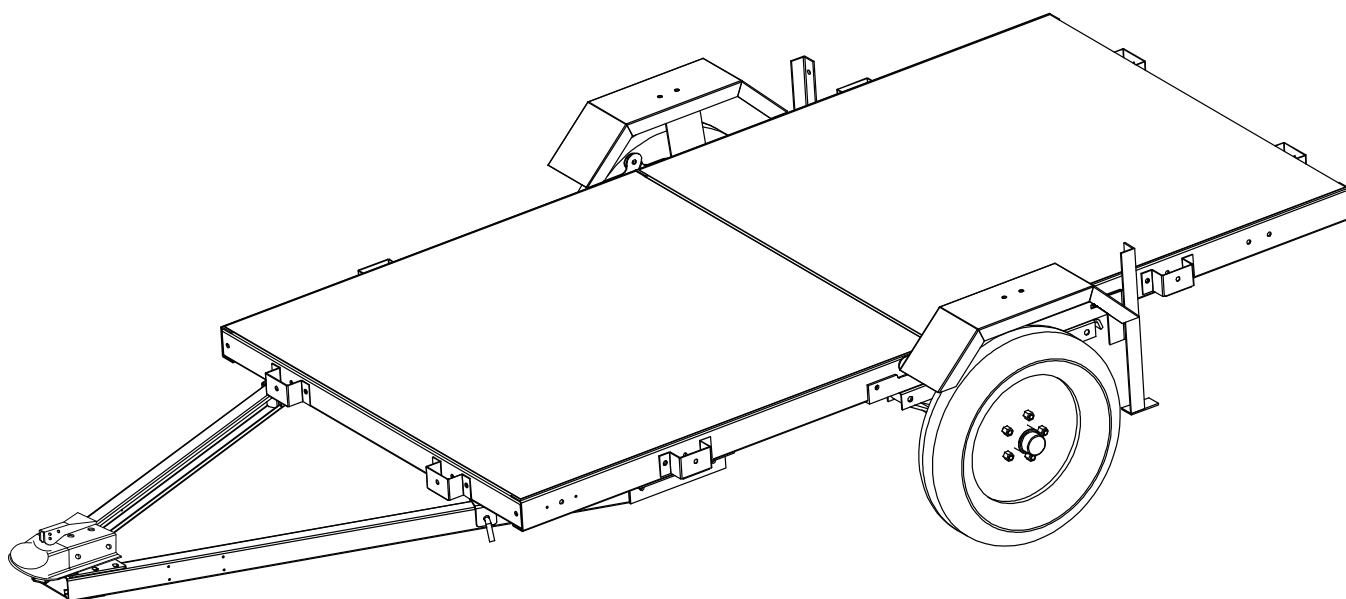


**AVERTISSEMENT! RISQUE DE DÉCOUPLAGE DE LA REMORQUE :**

L'attelage fourni avec votre remorque nécessite une boule d'attelage de 2 pouces (5,08 cm). Utilisez seulement une boule d'attelage de 2 pouces (5,08 cm) sur le véhicule tracteur qui tire cette remorque.

REMARQUE : Pour réduire la friction entre la boule d'attelage et le coupleur, appliquez une couche de graisse au lithium polyvalente sur la boule d'attelage. Essuyez tout excès de gras quand vous ne l'utilisez pas pour éviter de tacher les vêtements.

L'assemblage de votre nouvelle remorque pliante de 4 x 8 pi est maintenant terminé. Assurez-vous de continuer à suivre les instructions de sécurité et d'entretien contenues dans ce manuel et pratiquez toujours un remorquage sûr.



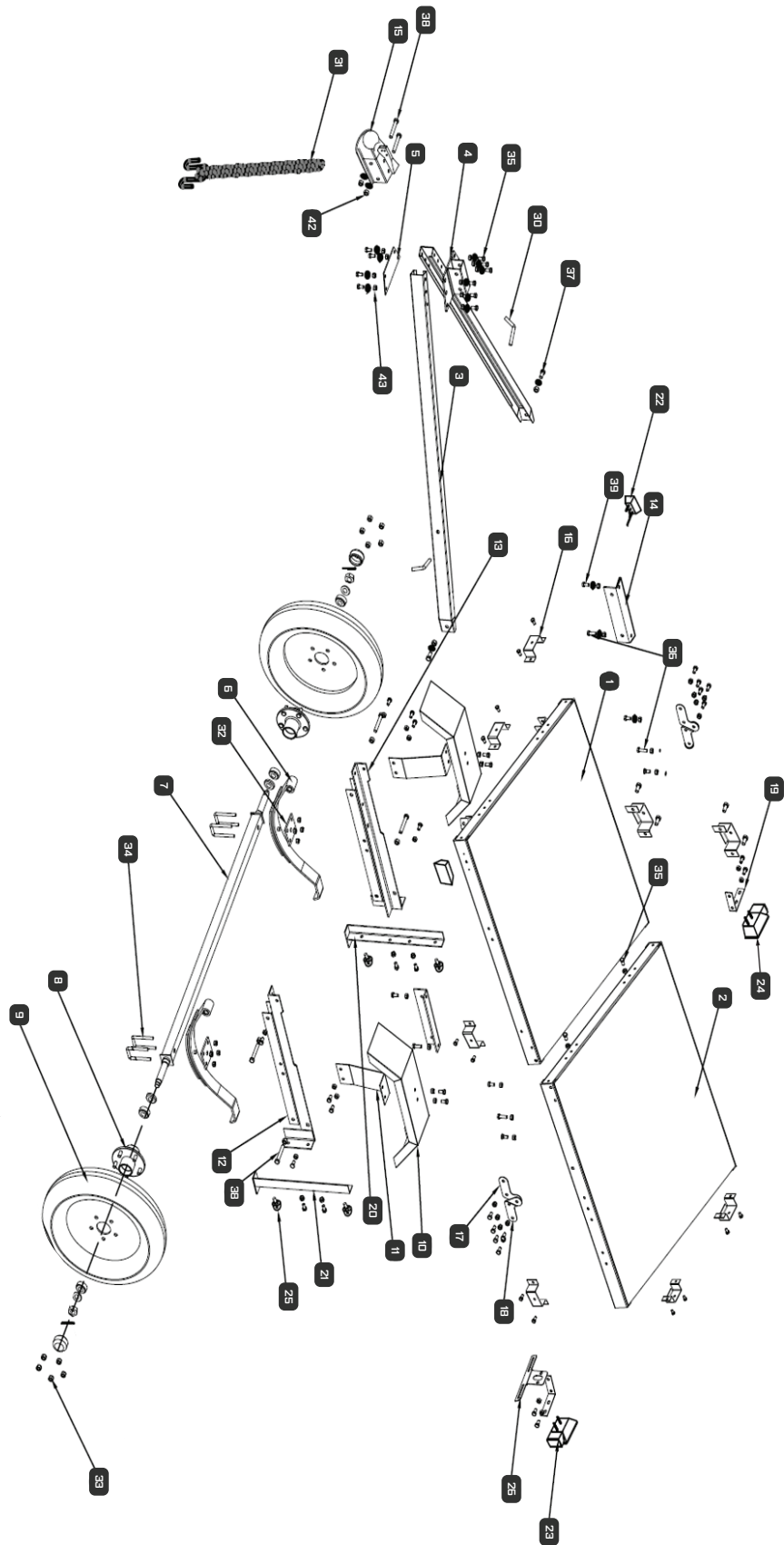
PIÈCES ET SCHÉMAS

LISTE DES PIÈCES

N° D'ARTICLE	DESCRIPTION	N° DE PIÈCE	QTÉ
1	CADRE SOUDÉ AVANT	100-0168	1
2	CADRE SOUDÉ ARRIÈRE	100-0169	1
3	TIMON SOUDÉ	100-0170	2
4	PLAQUE SUPÉRIEURE DU TIMON	100-0171	1
5	PLAQUE INFÉRIEURE DU TIMON	100-0172	1
6	RESSORT À 3 LAMES	219-0003	2
7	ASSEMBLAGE DE L'ESSIEU	310-0113	1
8	ASSEMBLAGE DU MOYEU	310-0078	2
9	PNEU ET ROUE	220-0044	2
10	AILE	206-0037	2
11	SUPPORT DE L'AILE	100-0173	2
12	SUSPENSION DE RESSORT GAUCHE	100-0177	1
13	SUPPORT DE RESSORT DROIT	100-0178	1
14	SUPPORT DE CONNEXION DU TIMON	100-0179	2
15	COUPLEUR	204-0003	1
16	SUPPORT DE PIQUET	100-0180	8
17	CHARNIÈRE DE PONT DU CHÂSSIS AVANT	100-0181	2
18	CHARNIÈRE DE PONT DU CHÂSSIS ARRIÈRE	100-0182	2
19	SUPPORT DE FEU ARRIÈRE	100-0183	2
20	SUPPORT DE ROULETTE DROIT	100-0184	1
21	SUPPORT DE ROULETTE GAUCHE	100-0185	1
22	FEU DE POSITION	205-0069	2

N° D'ARTICLE	DESCRIPTION	N° DE PIÈCE	QTÉ
23	FEU ARRIÈRE GAUCHE	205-0023	1
24	FEU ARRIÈRE DROIT	205-0024	1
25	ROULETTE	216-0007	4
26	SUPPORT DE PLAQUE D'IMMATRICULATION	205-0037	1
27	HARNAIS DE TIMON	205-0070	1
28	FAISCEAU DE FILS DU CADRE GAUCHE	205-0071	1
29	FAISCEAU DE FILS DU CADRE DROIT	205-0076	1
30	GOUPILLE EN L	207-0031	2
31	CHAÎNE DE SÉCURITÉ	208-0002	1
32	PLAQUE À RESSORT	100-0035	2
33	ÉCROUS DE ROUE	210-0012	10
34	BOULON EN U M10 X 95 X 38	210-0154	4
35	BOULON HEXAGONAL M10 X 20	210-0135	60
36	BOULON HEXAGONAL M10 X 30	210-0093	4
37	BOULON HEXAGONAL M12 X 25	210-0138	2
38	BOULON HEXAGONAL M12 X 80	210-0043	6
39	BOULON M10 X 25	210-0001	4
42	ÉCROU NYLOCK	210-0015	8
43	ÉCROU NYLOCK M10	210-0003	76
44	BOULON PHILIPS M4 x 65	210-0153	4
45	BOULON HEXAGONAL M14 X 85	210-0092	4
46	ÉCROU NYLOCK M4	210-0108	4
47	CONTRE-ÉCROU M6	210-0167	4
48	ÉCROU NYLOCK M14	210-0064	4
49	GOUPILLE EN R	207-0012	2

SCHÉMA



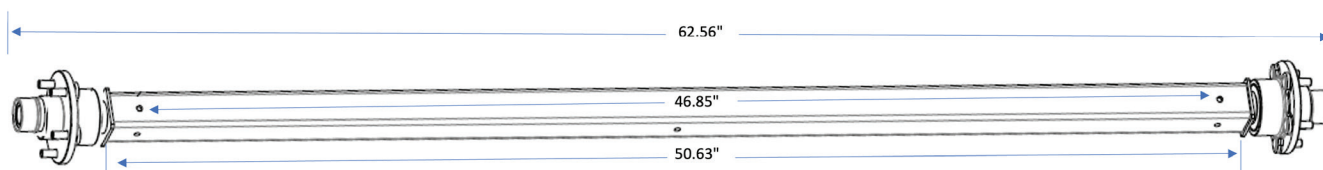
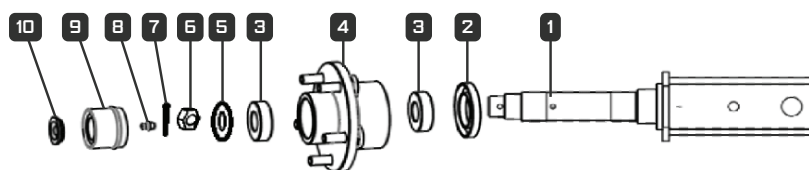
PIÈCES ET SCHÉMAS DE L'ASSEMBLAGE D'ESSIEU

LISTE DES PIÈCES : ASSEMBLAGE DE L'ESSIEU

N° D'ARTICLE	DESCRIPTION	N° DE PIÈCE	QTÉ
1	ASSEMBLAGE D'ESSIEU SOUDÉ	300-0074	1
2	JOINT D'ÉTANCHÉITÉE JOINT (25 X 52 X 15)	217-0019	2

N° D'ARTICLE	DESCRIPTION	N° DE PIÈCE	QTÉ
3	ROULEMENT (30205)	202-0004	4
4	ASSEMBLAGE DU MOYEU	310-0078	2
5	RONDILLE M22	210-0165	2
6	ÉCROU À CRÉNEAU M22 X 1,5	210-0166	2
7	GOUPILLE FENDUE	207-0006	2
8	RACCORD DE GRAISSAGE	229-0083	2
9	CAPUCHON ANTI-POUSSIÈRE AVEC TROU	229-0067	2
10	CAPUCHON ANTI-POUSSIÈRE EN CAOUTCHOUC	229-0105	2

SCHÉMAS: ASSEMBLAGE DE L'ESSIEU



DK[®]
BY MARLON[®]